



MERITOR[®]

An ArvinMeritor[®] Brand



SUSPENSION CATALOG



PB-9968
Revised 5/09

TABLE OF CONTENTS

SECTION 1

	PAGE NO.
SUSPENSION ASSEMBLY ILLUSTRATIONS AND HARDWARE	
Binkley.....	1-2
Chalmers.....	1-6
Dayton.....	1-24
Freightliner.....	1-32
Fruehauf.....	1-47
Graning.....	1-74
Great Dane.....	1-76
Hendrickson.....	1-82
Hutchens.....	1-236
IHC (See Navistar).....	1-326
Jifflox (See Kwik-Loc).....	1-284
Kenworth.....	1-278
Kwik-Loc.....	1-284
Mack.....	1-286
Meritor.....	1-308
Navistar International.....	1-326
Neway.....	1-333
Page.....	1-480
Peterbilt.....	1-488
Reyco/Granning.....	1-504
Ridewell.....	1-576
Spicer.....	1-592
Trailmobile.....	1-600
Volvo.....	1-606

SECTION 2

COMPONENT PARTS

Specialty Polyurethane Components.....	2-2
Tools.....	2-21
Trailer King Pin & Fifth Wheel Parts.....	2-22
Threaded Rod & U-Bolt Assemblies.....	2-23
Spring Center Bolts.....	2-31
Miscellaneous:	
Bolts.....	2-32
Nuts.....	2-34
Washers.....	2-35
Torque Arms:	
Adjustable.....	2-36
Rigid.....	2-40
Uni-Rod.....	2-45
Suspension Bushings.....	2-48
Air Valves.....	2-55
Height Control Valves.....	2-56
Bushing and Bolt Hardware.....	2-63
Equalizers.....	2-65

TABLE OF CONTENTS (cont)

SECTION 3

	PAGE NO.
SHOCKS	
Shocks Absorbers Bushings & Install. Kits.....	3-2
How to Measure Shock Absorbers.....	3-3
Mounting Codes.....	3-4
Specifications by End Mount.....	3-8
Specifications by Part Number.....	3-19

Refer to Gabriel Catalog for Complete Shock Absorber Program - Catalog 754

SECTION 4

NUMERICAL PARTS INDEX & WARRANTY	
Numerical Listing.....	4-2
Warranty.....	4-22

XpresswayPlus.com



Don't forget about using XpresswayPlus.com for:

- Ordering parts online
- Order status
- Price and availability
- Visual search for new users
- Online e-mail or phone numbers for Customer Service, Information Services, Marketing, Catalog, and eSupport
- Reference Library
- The Company Store
- Easy to use navigating instructions
- Dealer/Distributor locator

XpresswayPlus is easy to use, can reduce phone calls, and save you valuable time.

INDEX OF EXPLODED VIEWS AND PARTS LISTS

SUSPENSION MODEL	SUSPENSION TYPE	APPLICATION	PAGE NO.
Binkley SP900 "Duralite"	Leaf Spring	Trailer	1-2
Chalmers 300	Load Cushion	Trailer	1-6
Chalmers 500	Load Cushion	Trailer	1-8
Chalmers 600	Load Cushion	Tractor	1-10
Chalmers 700	Load Cushion	Tandem Trailer	1-12
Chalmers 800	Load Cushion	Tractor	1-14
Chalmers 1023/1030	Load Cushion	Tractor	1-16
Dayton Truckmaster	Leaf Spring	Tractor	1-24
Dayton Navistar Truckmaster	Leaf Spring	Tractor	1-26
Dayton Tri-Lite	Leaf Spring	Trailer	1-28
Freightliner 3 1/2" Front	Leaf Spring	Tractor	1-32
Freightliner 4" Front	Leaf Spring	Tractor	1-33
Freightliner FH34	Leaf Spring	Tractor	1-34
Freightliner FH34A	Leaf Spring	Tractor	1-36
Freightliner FAS I Air Ride	Air Spring	Tractor	1-38
Freightliner FAS II Air Ride	Air Spring	Tractor	1-37
Fruehauf D2	Leaf Spring	Trailer	1-47
Fruehauf F-2 Standard Hangers	Leaf Spring	Trailer	1-48
Fruehauf F-2 Wide Base Hangers	Leaf Spring	Trailer	1-50
Fruehauf F-2W Standard Hangers	Leaf Spring	Trailer	1-52
Fruehauf F-2 W Wide Base Hangers	Leaf Spring	Trailer	1-54
Fruehauf J2	Leaf Spring	Trailer	1-56
Fruehauf M2	Leaf Spring	Trailer	1-58
Fruehauf NF2 A80	Leaf Spring	Trailer	1-60
Fruehauf NT	Air Spring	Trailer	1-62
Fruehauf T	Air Spring	Trailer	1-64
Fruehauf W24T1	Air Spring	Trailer	1-65
Granning T200AX	Air Spring	Truck/Tractor	1-74
Great Dane H	Leaf Spring	Trailer	1-76
Hendrickson Auxiliary HLM	Air Spring	Lift-Tractor	1-82
Hendrickson Auxiliary HLQ (Old Q)	Air Spring	Lift-Tractor	1-84
Hendrickson Auxiliary MT45/ MTL50	Air Spring	Lift-Trailer	1-86
Hendrickson U2/UE 340	Leaf Spring	Truck/Tractor	1-88
Hendrickson AIRTEK® for International Vehicles New Engine Config. - Built Prior 9/06 (PEC)	Air Spring	Truck/Tractor	1-90
Hendrickson AIRTEK® for International Vehicles New Engine Config. - Built After 9/06 (NEC)	Air Spring	Truck/Tractor	1-94
Hendrickson AIRTEK® (PEC) Replacement Service Kits	Air Spring	Truck/Tractor	1-98
Hendrickson Dual Height Control Conversion Service Kit	Air Spring	Truck/Tractor	1-100
Hendrickson AIRTEK® for Freightliner/Western Star/Sterling Vehicles	Air Spring	Truck/Tractor	1-102
Hendrickson AIRTEK® for Volvo Vehicles	Air Spring	Truck/Tractor	1-106
Hendrickson AIRTEK® for Volvo Vehicles (Top Pad with Hex Bolt)	Air Spring	Truck/Tractor	1-112

Continued on next page

INDEX OF EXPLODED VIEWS AND PARTS LISTS

SUSPENSION MODEL	SUSPENSION TYPE	APPLICATION	PAGE NO.
Hendrickson AIRTEK® for Volvo Vehicles (Single Height Control Valve)	Air Spring	Truck/Tractor	1-113
Hendrickson E4-360/400	Leaf Spring	Tractor	1-114
Hendrickson HA 360/400/460	Air Spring	Tractor	1-118
Hendrickson HAS 360/400/402/460	Air Spring	Tractor	1-122
Hendrickson HFS 360/400	Leaf Spring	Tractor	1-126
Hendrickson HAULMAAX® Heavy Duty	Bolster Spring	Truck/Tractor	1-128
Hendrickson HAULMAAX® Aftermarket Shock Absorber Kit	—	Truck/Tractor	1-132
Hendrickson INTRAAX AAT - 23K, 25K & 30K	Air Spring	Trailer	1-133
Hendrickson HN-402/462/522	Bolster Spring	Truck/Tractor	1-134
Hendrickson HN 402/462 *	Bolster Spring	Truck/Tractor	1-138
Hendrickson HN 460	Bolster Spring	Tractor	1-140
Hendrickson HT190T, HT190U, HT230T	Air Spring	Trailer	1-142
Hendrickson PRIMAAX® 230/460/690 - FIRE-MAAX® 240/480 - Type A - 8 1/2"-10" Ride Height	Air Spring	Truck/Tractor	1-144
Hendrickson PRIMAAX® 230/460/690 - FIRE-MAAX® 240/480 - 12 1/2" - 14 3/8" - 15 1/2" Ride Height	Air Spring	Truck/Tractor	1-148
Hendrickson PRIMAAX® 260/520/780 - FIRE-MAAX® 270/540 - Type A - 8 1/2"-10" Ride Height	Air Spring	Truck/Tractor	1-154
Hendrickson PRIMAAX® 230/460/690 - Type B - 10" Ride Height	Air Spring	Truck/Tractor	1-158
Hendrickson PRIMAAX® 260/520/780 - Type B - 8 1/2" - 10" Ride Height	Air Spring	Truck/Tractor	1-162
Hendrickson RS-400/403/460/463	Load Cushion	Truck/Tractor	1-166
Hendrickson RS-480/503/520/523	Load Cushion	Truck/Tractor	1-170
Hendrickson RT/RTE 340/343/400/403/460/463	Leaf Spring	Truck/Tractor	1-174
Hendrickson RT2 400/460, RTE 400/460	Leaf Spring	Truck/Tractor	1-178
Hendrickson RT2 480/520, RTE2 480/520	Leaf Spring	Truck/Tractor	1-180
Hendrickson RT650	Leaf Spring	Tractor	1-182
Hendrickson T - Underslung	Air Spring	Trailer	1-184
Hendrickson T - Overslung	Air Spring	Trailer	1-185
Hutchens H-400 Single Point	Leaf Spring	Trailer	1-236
Hutchens H-900 Single Point	Leaf Spring	Trailer	1-238
Hutchens H2200 / H2300	Leaf Spring	Truck/Tractor	1-242
Hutchens H9600/CH9600 and H7600/CH7600	Leaf Spring	Trailer	1-244
Hutchens H9700/CH9700 and H7700/CH7700	Leaf Spring	Trailer	1-246
Hutchens H9700US/CH9700US and H7700US/CH7700US	Leaf Spring	Trailer	1-250
Hutchens H9700/CH9700 TWS 54.5	Leaf Spring	Trailer	1-252
Hutchens H9700/CH9700 TWS 61 & 73	Leaf Spring	Trailer	1-254
Hutchens H9700/CH9700 TWS 109 & 121	Leaf Spring	Trailer	1-256
Kenworth Big 6	Leaf Spring	Tractor	1-278
Kenworth Airglide® 100 Air Ride *	Air Spring	Tractor	1-279
Kenworth Airglide® 200 Air Ride *	Air Spring	Tandem	1-280
Kwik-Loc	Air Spring/Load Spring	Trailer	1-284
Mack SS 34/38	Leaf Spring	Tractor	1-286
Mack SS 44	Leaf Spring	Tractor	1-288

Continued on next page

INDEX OF EXPLODED VIEWS AND PARTS LISTS

SUSPENSION MODEL	SUSPENSION TYPE	APPLICATION	PAGE NO.
Mack SS50C/SS58C	Leaf Spring	Tractor	1-290
Mack SS65	Leaf Spring	Tractor	1-291
Mack ST	Leaf Spring	Tractor	1-292
Mack Steering Axle Suspension	Leaf Spring	Tractor	1-294
Mack/Hendrickson AL-40 *	Air Spring	Tractor	1-296
Meritor Air Link™ MWA Suspension - International Truck & Engine	Air Spring	Tractor	1-308
Meritor Air Link™ MWA Suspension - Mack	Air Spring	Tractor	1-310
Meritor Air Link™ MWA Suspension - Volvo	Air Spring	Tractor	1-312
Meritor RideSentry™ MPA & RHP Series	Air Spring	Trailer	1-314
Meritor RFS23T	Air Spring	Trailer	1-316
Meritor RFS25T	Air Spring	Trailer	1-318
Navistar "Corporate" 4-Spring	Leaf Spring	Tractor	1-326
Navistar "Corporate" Air Ride	Air Spring	Tractor	1-328
Neway AD123/246	Air Spring	Tractor	1-342
Neway AR41/45/45-1	Air Spring	Trailer	1-344
Neway AR-50-US, AR-50-US-F, AR-50-US-F-A, AR-50-US-F-2, AR-51-US	Air Spring	Trailer	1-346
Neway AR70/95	Air Spring	Trailer	1-350
Neway AR75-6,-9/AR85-A	Air Spring	Trailer	1-354
Neway AR75-12	Air Spring	Trailer	1-358
Neway AR80	Air Spring	Trailer	1-362
Neway AR90-1-12, AR-90-1-14, AR-90-1-15, AR-90-1-16, AR-90-1-17	Air Spring	Trailer	1-364
Neway AR90-14	Air Spring	Trailer	1-366
Neway AR92	Air Spring	Trailer	1-368
Neway AR93	Air Spring	Trailer	1-370
Neway AR120/125 L	Air Spring	Trailer	1-372
Neway AR120-US/125-US/120-US-L/125-US-L	Air Spring	Trailer	1-376
Neway AR165-US	Air Spring	Trailer	1-380
Neway ARDAB	Air Beam	Tractor	1-382
Neway ARDST/STM/L	Air Spring	Tractor	1-384
Neway ARD-125/-244	Air Spring	Trailer/Tractor	1-386
Neway ARD-125,-6,-8/-244-6,-8	Air Spring	Trailer/Tractor	1-390
Neway ARD-234-6	Air Spring	Trailer/Tractor	1-394
Neway ARL20/20-D-US	Air Spring	Trailer	1-396
Neway ART-500-B/551-B-1-2-3	Air Spring	Tractor	1-398
Neway ART-500-US/551-US-1-2-3	Air Spring	Tractor	1-402
Neway ART-500-US-A	Air Spring	Tractor	1-406
Neway ART-505-B, B-1/555-B-1-2-3	Air Spring	Tractor	1-408
Neway ARU92	Air Spring	Trailer	1-412
Neway ARU93	Air Spring	Trailer	1-414
Neway RL196	Air Spring	Trailer	1-416
Neway RL196A	Air Spring	Trailer	1-418
Neway RL228	Air Spring	Trailer	1-420
Neway RTS-536/544 -1,-2,-3,-4 Series	Leaf Spring/Beam	Trailer	1-422
Neway SB-360B, -500, -600B	Leaf Spring	Trailer	1-426
Neway SB-360-HD-A	Leaf Spring	Trailer	1-428
Neway T-8540 Tri-Axle	Leaf Spring/Beam	Trailer	1-430

Continued on next page

INDEX OF EXPLODED VIEWS AND PARTS LISTS

SUSPENSION MODEL	SUSPENSION TYPE	APPLICATION	PAGE NO.
Neway T-8750,8900 Tri-Axle	Leaf Spring/Beam	Trailer	1-432
Neway TA-800	Walking Beam	Tractor	1-436
Neway TL-636-1, -2, -3, -4, -5 Series	Leaf Spring	Trailer	1-438
Neway TR-8540/8600 Tri-Axle	Leaf Spring/Beam	Trailer	1-440
Neway TR-8750/8900 Tri-Axle	Leaf Spring/Beam	Trailer	1-442
Neway TS-426-A, 432, 436, 442, 536, 542	Leaf Spring	Trailer	1-446
Page LM2000	Air Spring	Lift-Tractor	1-480
Page LM3000	Air Spring	Lift-Tractor	1-481
Page Single Point	Leaf Spring	Trailer	1-482
Page Trailmaster	Air Spring	Trailer	1-484
Peterbilt Air Trac	Air Spring	Tractor	1-492
Peterbilt Air Leaf	Air Spring	Tractor	1-496
Peterbilt Low Air Leaf	Air Spring	Tractor	1-494
Peterbilt Quadraflex	Leaf Spring	Tractor	1-490
Peterbilt 4-Spring	Leaf Spring	Tractor	1-488
Reyco/Granning 19AR/RS1062	Air Spring	Trailer	1-504
Reyco/Granning 20AR/RS3162 Aire Ride Dock-Master II	Air Spring	Trailer	1-506
Reyco/Granning 21B	Leaf Spring	Trailer	1-508
Reyco/Granning 21B 60"/72" Wide Spread	Leaf Spring	Trailer	1-512
Reyco/Granning 21AR	Air Spring	Trailer	1-516
Reyco/Granning 73 49"	Leaf Spring	Trailer	1-518
Reyco/Granning 73 60" & 72"	Leaf Spring	Trailer	1-520
Reyco/Granning 74AR	Air Spring	Trailer	1-522
Reyco/Granning 74B 54" & 60"	Leaf Spring	Trailer	1-524
Reyco/Granning 74B 72"/77"/97"/109"	Leaf Spring	Trailer	1-526
Reyco/Granning 79KB	Leaf Spring	Truck	1-528
Reyco/Granning 83 - 50", 54", 60", 65 1/2", 72" 97" & 109"	Leaf Spring	Trailer	1-530
Reyco/Granning 86AR	Air Spring	Trailer	1-532
Reyco/Granning 101	Leaf Spring	Tractor	1-534
Reyco/Granning 101A	Leaf Spring	Tractor	1-536
Reyco/Granning 102	Leaf Spring	Tractor	1-538
Reyco/Granning 102AR	Air Spring	Tractor	1-540
Reyco/Granning 181/101F	Leaf Spring	Tractor	1-542
Reyco/Granning 240AR	Air Spring	Truck	1-544
Reyco Transpro 86/88	Leaf Spring	Trailer	1-548
Ridewell Mono Pivot RAR-240 Series - Underslung	Air Spring	Trailer	1-576
Ridewell Mono Pivot RAR-240 Series - Overslung	Air Spring	Trailer	1-578
Ridewell RAS-227 & RAD-227	Air Spring	Truck	1-580
Ridewell RCA-215 Flex-Mount™	Air Spring	Truck	1-582
Ridewell RCA-235 Compact Heavy Duty Air-Ride/Air-Lift (Before 6/30/2000)	Air Spring	Truck/Trailer	1-584
Ridewell RCA-235 Compact Heavy Duty Air-Ride/Air-Lift (After 6/30/2000)	Air Spring	Truck/Trailer	1-586

Continued on next page

INDEX OF EXPLODED VIEWS AND PARTS LISTS

SUSPENSION MODEL	SUSPENSION TYPE	APPLICATION	PAGE NO.
Ridewell Dynalastic	Elastomer Spring / Compensater	Truck/Tractor	1-588
Spicer 36	Leaf Spring	Trailer	1-592
Spicer 55	Leaf Spring	Trailer	1-593
Spicer 62	Leaf Spring	Trailer	1-594
Spicer 68	Leaf Spring	Trailer	1-595
Trailmobile Late Model (Fabricated)	Leaf Spring	Trailer	1-600
Trailmobile Short Rocker	Leaf Spring	Trailer	1-601
Volvo 4-Spring (Old Style)	Leaf Spring	Tractor	1-606
Volvo 4-Spring (New Style)	Leaf Spring	Tractor	1-608
Volvo T-Ride	Walking Beam / Rubber Load Spring	Tractor	1-610
Volvo Air Ride	Air Spring	Tractor	1-612
Suspension Component Parts			
Speciality Polyurethane Components			2-2
Tools			2-21
Trailer King Pin & Fifth Wheel Parts			2-22
Threaded Rod & U-Bolt Assemblies			2-24
Spring Center Bolts			2-31
Miscellaneous:			
Bolts			2-32
Nuts			2-34
Washers			2-35
Torque Arms:			
Adjustable			2-36
Rigid			2-40
Uni-Rod			2-45
Suspension Bushings			2-48
Air Valves			2-55
E.S.P Guide			2-65
Equalizer Photos by Make & Model			2-67
Shock Absorbers - Refer to Catalog 754			
Shock Catalog 754 for Complete Meritor/Gabriel Shock Absorber Program			
How to Measure Shock Absorbers			3-3
Mounting Codes			3-4
Specifications by End Mount			3-8
Specifications by Part Number			3-19



MERITOR®

an **ArvinMeritor**. brand

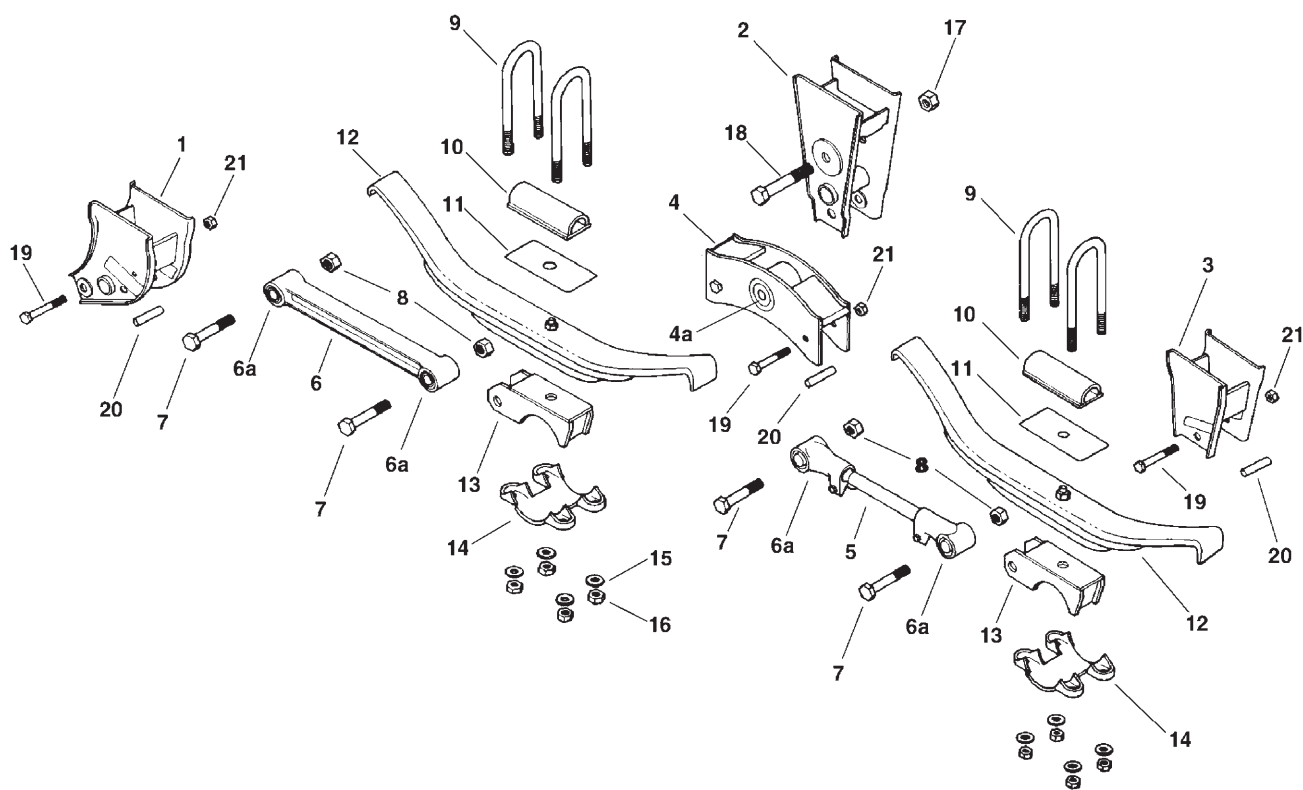


**EXPLODED VIEWS,
PARTS LIST & PHOTOS**

SECTION ONE

BINKLEY SP900 "DURALITE" SUSPENSION

For 5" Round Axles
Trailer



1

BINKLEY SP900 "DURALITE" SUSPENSION PARTS

For 5" Round Axles

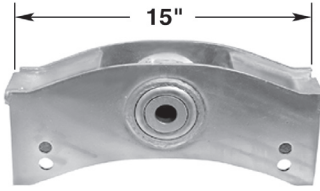
Trailer

KEY NO.	MERITOR NO.	REPLACES BINKLEY NO.	DESCRIPTION	QUANTITY PER TANDEM	PAGE NO.
1	R309302	SP0100	Front Hanger, Straddle Mount	2	1-5
	S.O.S.	SP0162	Front Hanger, Under Mount		—
2	R309303	SP0110	Equalizer Hanger, Straddle Mount	2	1-5
	S.O.S.	SP0161	Equalizer Hanger, Under Mount		—
3	R309304	SP0120	Rear Hanger, Straddle Mount	2	1-5
	S.O.S.	SP0160	Rear Hanger, Under Mount		—
4	R309305	SP0131	Equalizer with Bushing	2	1-4
4a	R304827	PP0054-05	Equalizer Bushing	2	1-4
5	R304824	SP0123	Adjustable Torque Arm with Bushings	2	1-4
6	R309307	SP0143	Rigid Torque Arm with Bushings	2	1-4
6a	R301980 (Rubber)	PP0054-02	Torque Arm Bushing	8	1-4
	R307520 (Poly)	—			
7	Part of R309308	PP0050-75	Bolt	8	1-4
8	R309607	PP0012-36	Flanged Lock Nut, 7/8"-14 Thd.	8	2-34
—	R309308	—	Torque Arm Bolt & Nut Assembly, Includes Key Nos. 7, 8	8	1-4
9	R30U8151-10	SP0075-01	U-Bolt Assembly, Rd. Bend, 3/4"-16 Thd. x 3" Wide x 10" Long	8	1-5
	R30U8151-12	SP0075-02	U-Bolt Assembly, Rd. Bend, 3/4"x16 Thd. x 3" Wide x 12" Long		
		SP0075-03			
		SP0075-04			
		SP0075-05			
	R30U8151-14	SP0075-06	U-Bolt Assembly, Rd. Bend, 3/4"-16 Thd. x 3" Wide x 14" Long		
SP0075-07					
SP0075-08					
10	R302907A	SP0136	U-Bolt Top Plate	4	1-79
11	R302842	SP0049	Delrin Spring Liner	4	1-4
12	S.O.S.	Various	Spring Assembly	4	—
13	S.O.S.	SP0142-01	Spring Seat, 3/4" High	4	—
	S.O.S.	SP0142-02	Spring Seat, 1 1/4" High		
	S.O.S.	SP0142-03	Spring Seat, 1 3/4" High		
	S.O.S.	SP0149-04	Spring Seat, 2 1/4" High		
	S.O.S.	SP0149-05	Spring Seat, 2 3/4" High		
14	R302909	SP0099	Bottom Plate	4	1-79
15	R302545	PP0016-67	Washer	16	2-35
16	R303001	PP0011-44	Hi-Nut	16	2-34
17	Part of R309309	PP0050-73	Equalizer Bolt	2	1-4
18	R302892	PP0012-37	Flanged Lock Nut, 1"-14 Thd.	2	2-34
—	R309309	—	Equalizer Bolt and Nut Assembly Includes Key Nos. 17, 18	2	1-4
19	R303415	PP0050-71	Rebound Bolt	8	2-32
20	R303416	SP0145	Rebound Spacer	8	1-78
21	R302002	PP0012-10	Rebound Nut	8	2-34
—	R304835	—	Rebound Bolt Assembly, Includes Key Nos. 19, 20, 21	8	1-5

S.O.S. = Available through Meritor's S.O.S. Department

BINKLEY SUSPENSION PARTS

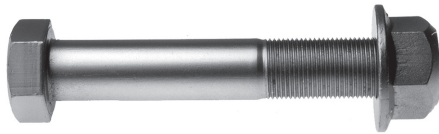
EQUALIZER ASSEMBLY



Includes R304826 Bushing

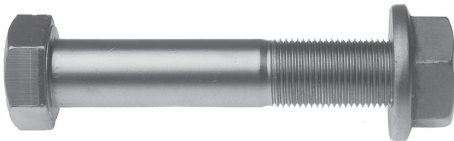
MERITOR NO.	REPLACES	FOR MODEL
R309305	Binkley SP1031	SP900 "DURALITE"

EQUALIZER BOLT & NUT ASSEMBLY



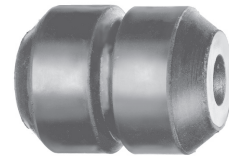
MERITOR NO.	REPLACES	FOR MODEL	INCLUDES
R309309	Binkley PP0050-73 Binkley PP0012-37	SP900 "DURALITE"	Bolt, 1"-14 Thd. x 6" Long. Nut, 1"-14 Thd.

TORQUE ARM BOLT & NUT ASSEMBLY



MERITOR NO.	REPLACES	FOR MODEL	INCLUDES
R309308	Binkley PP0050-75 Binkley PP0012-36	SP900 "DURALITE"	Bolt, 7/8"-14 Thd. x 4 3/4" Long. Lock Nut, 7/8"-14 Thd.

RUBBER EQUALIZER BUSHING



MERITOR NO.	REPLACES	FOR MODEL	O.D.	I.D.	LENGTH
R304827	Binkley PP0054-05	SP900 "DURALITE"	3 1/8"	1 1/32"	4"

TORQUE ARM BUSHING



MERITOR NO.	REPLACES	FOR MODEL	O.D.	I.D.	LENGTH
R301980 (Rubber)	Binkley PP0054-02	SP900 "DURALITE"	1 29/32"	7/8"	3"
R307520 (Poly)					

SPRING LINER PAD



MERITOR NO.	REPLACES	FOR MODEL	WIDTH	LENGTH	THICKNESS
R302842	Binkley SP0049	SP900 "DURALITE"	2 7/8"	8"	.043"

TORQUE ARMS



Adjustable
18 1/4" → 21 1/2"



Rigid
19 1/4"

MERITOR NO.	REPLACES	FOR MODEL	MERITOR BUSHING NO.	LENGTH Center-to-Center
R304824 (Adjustable)	Binkley SP0123	SP900 "DURALITE"	R301980	Rigid: 19 1/4"
R309307 (Rigid)	Binkley SP0143			Adjustable: 18 1/4" - 21 1/2"

BINKLEY SUSPENSION PARTS

FRONT HANGER STRADDLE MOUNT



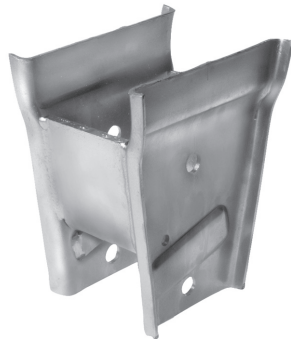
MERITOR NO.	REPLACES	FOR MODEL
R309302	Binkley SP0100	SP900 "DURALITE"

EQUALIZER HANGER STRADDLE MOUNT



MERITOR NO.	REPLACES	FOR MODEL
R309303	Binkley SP0110	SP900 "DURALITE"

REAR HANGER STRADDLE MOUNT



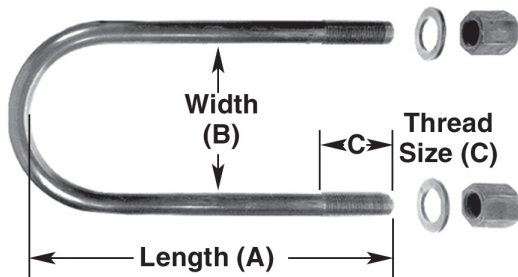
MERITOR NO.	REPLACES	FOR MODEL
R309304	Binkley SP0120	SP900 "DURALITE"

REBOUND BOLT ASSEMBLY



MERITOR NO.	REPLACES	FOR MODEL	INCLUDES
R304835	Binkley PP0050-71 Binkley SP0145 Binkley PP0012-10	SP900 "DURALITE"	Roller, 3/4" O.D. x 2 1/32" I.D. x 3 7/32" Long Bolt, 5/8"-18 Thd. x 4 1/2" Long Nut, 5/8"-18 Thd.

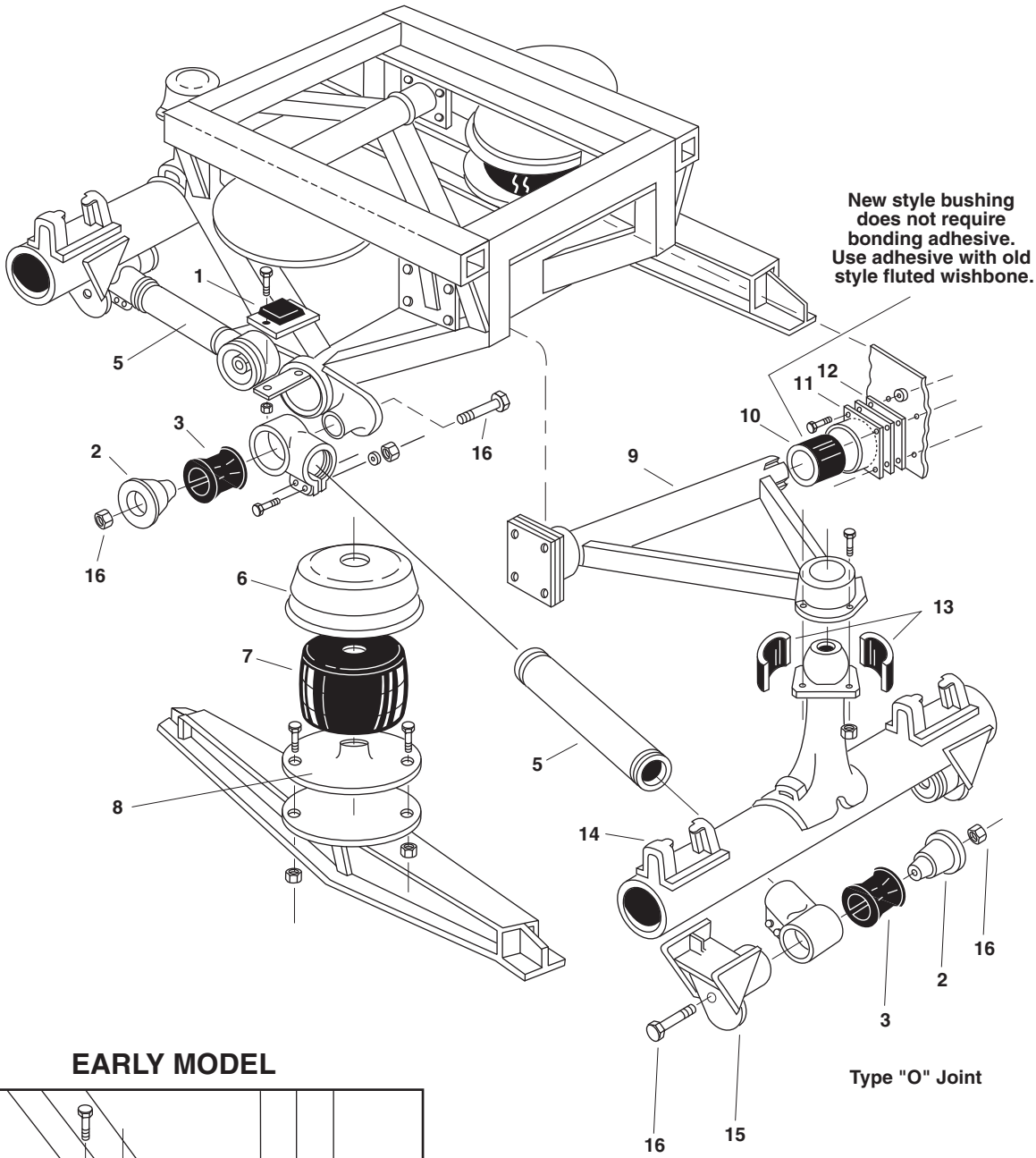
ROUND U-BOLT ASSEMBLY Includes Hi-Nuts and Washers



MERITOR NO.	REPLACES BINKLEY	THREAD	A	B	C
R30U8151-10	SP0075-01	3/4"-16	10"	3"	3"
R30U8151-12	SP0075-02 SP0075-03 SP0075-04 SP0075-05	3/4"-16	12"	3"	3"
R30U8151-14	SP0075-06 SP0075-07 SP0075-08	3/4"-16	14"	3"	6"

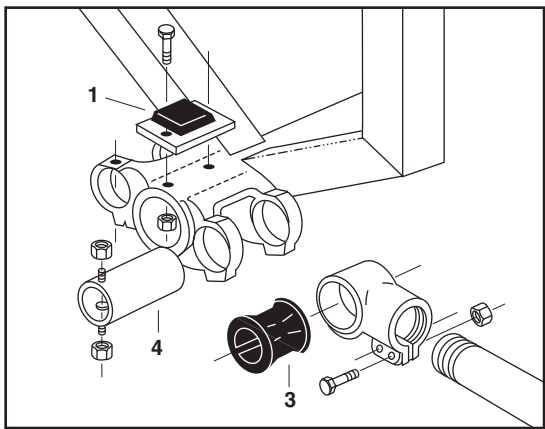
CHALMERS SUSPENSION PARTS

300 Series Trailer



New style bushing does not require bonding adhesive. Use adhesive with old style fluted wishbone.

EARLY MODEL



1

CHALMERS SUSPENSION PARTS

300 Series

Trailer

N/A = Part no longer available

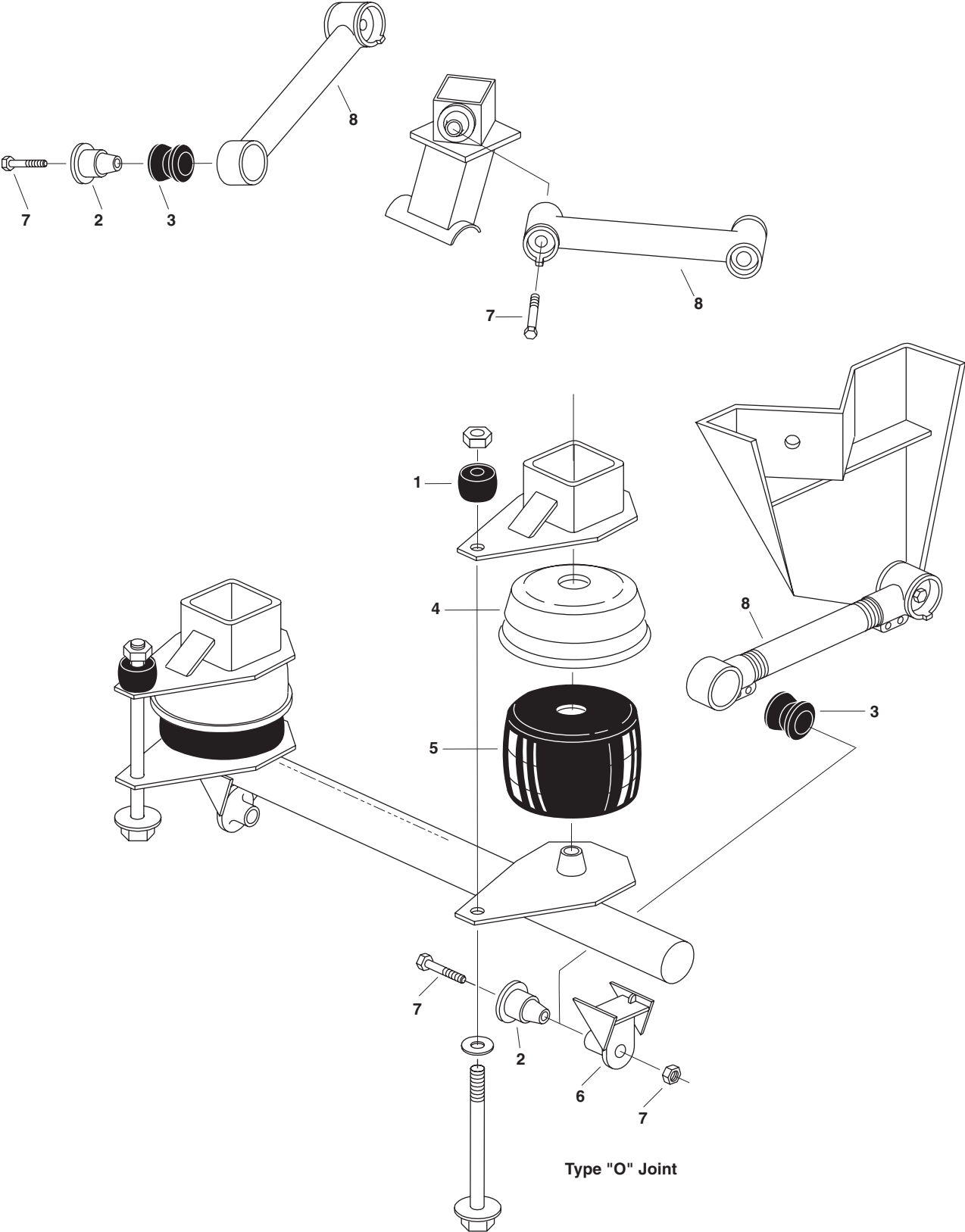
KEY NO.	MERITOR NO.	REPLACES CHALMERS NO.	DESCRIPTION	QUANTITY PER SUSPENSION	PAGE NO.
1	R304675	48045	Rebound Stop	2	1-20
2	R304680	260002	Spigot Cap	16	1-21
3	R304677A (Rubber)	22128	Torque Arm Bushing, OE Version	8 (Rubber)	1-22
	R308701 (Rubber)	22128	Torque Arm Bushing, Aftermarket Version		
	R307427 (Poly)	22128	Torque Arm Bushing	16 (Poly)	
3a	R304678A (Rubber)	22129	Torque Arm Bushing, Oversized OE	As Required	1-22
	R308702 (Rubber)	22129	Torque Arm Bushing, Oversized Aftermarket		
4	N/A	22037	Wrist Pin	16	—
5	R304789	216214	Adjustable Torque Arm, 21 1/2" Center-to-Center	2	1-23
	R304790	216240	Adjustable Torque Arm, 24" Center-to-Center	6	
	R304791	223214	Rigid Torque Arm, 21 1/2" Center-to-Center		
	R304792	223240	Rigid Torque Arm, 24" Center-to-Center		
6	R304688A	373028	Restrictor Can #28	2	1-19
		373020 (Old)	(Replace Restrictor Can #20)		
7	R304685	15002	Load Spring #20	2	1-18
8	R304786	22116	Spring Plate	2	1-19
9	R307764	68017	Wishbone	2	1-20
10	R304683	22115	Wishbone End Bushing	4	1-20
11	R304682	22107	Wishbone End	4	1-20
12	R304681	22105	Shim, 16 Gauge	As Required	1-20
	S.O.S.	22099	Shim, 25 Gauge	—	
13	R304674	22036	Wishbone Apex Bushing, 2-Piece	2	1-20
14	R307756	222083	Saddle, 5" Round or 4" x 6" Rectangular Axle	4	1-22
	S.O.S.	231026	Saddle, 5" Square Axle		
15	R307757	222139	Axle Bracket, 5" Round Spigot Type	4	1-21
	S.O.S.	231000	Axle Bracket, 5" Square Spigot Type		
	S.O.S.	228006	Axle Bracket, 4" x 6" Rectangular Spigot Type		
16	R307772	K880230	Hardware Kit for #0 Spigot Joint	2	1-21
—	R304684	Devcon "A"	Plastic Steel Adhesive Cartridge	As Required	1-21

S.O.S. = Available through Meritor's S.O.S. Department

CHALMERS SUSPENSION

500 Series Trailer

1



CHALMERS SUSPENSION PARTS

500 Series

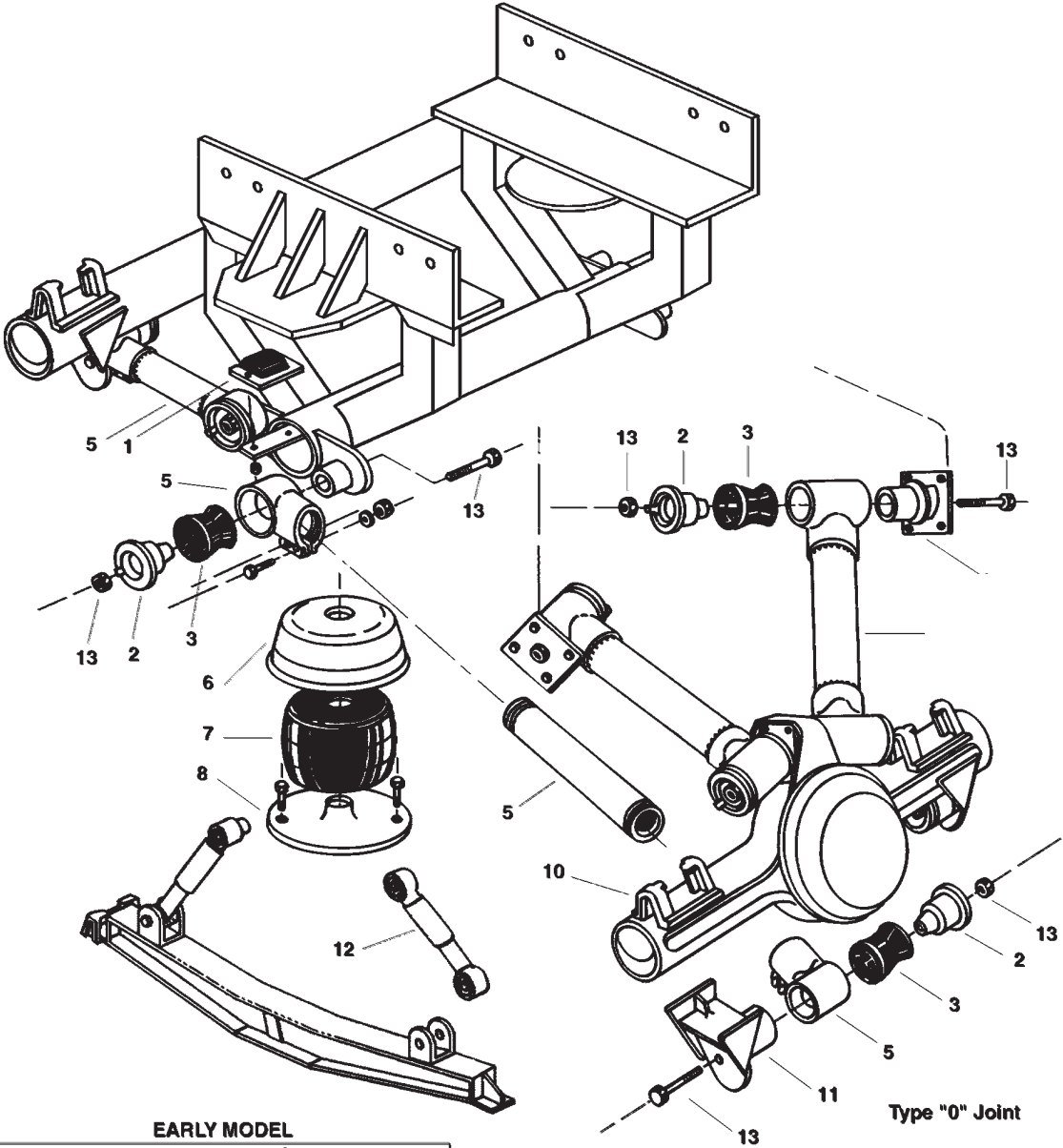
Trailer

KEY NO.	MERITOR NO.	REPLACES CHALMERS NO.	DESCRIPTION	QUANTITY PER SUSPENSION	PAGE NO.
1	S.O.S.	22096	Rebound Stop	2	—
2	R304680	260002	Spigot Cap	16	1-21
3	R304677A (Rubber)	22128	Torque Arm Bushing, OE Version	8 (Rubber)	1-22
	R308701 (Rubber)	22128	Torque Arm Bushing, Aftermarket Version		
	R307427 (Poly)	22128	Torque Arm Bushing	16 (Poly)	
3a	R304678A (Rubber)	22129	Torque Arm Bushing, Oversized OE	As Required	1-22
	R308702 (Rubber)	22129	Torque Arm Bushing, Oversized Aftermarket		
4	R304688A	373028	Restrictor Can #28	2	1-19
		373020 (Old)	(Replaces Restrictor Can #20)		
5	R304685	15002	Load Spring #20	2	1-18
6	R307757	222139	Axle Bracket, 5" Round Spigot Type	4	1-21
	S.O.S.	231000	Axle Bracket, 5" Square Spigot Type		—
	S.O.S.	228006	Axle Bracket, 4" x 6" Rectangular Spigot Type		—
7	R307772	K880230	Hardware Kit for #0 Spigot Joint	2	1-21
8	S.O.S.	223220	Rigid Torque Arm, Lower, 22" Center-to-Center	4	—
	S.O.S.	216220	Adjustable Torque Arm, Lower, 22" Center-to-Center		
	S.O.S.	223200	Rigid Torque Arm, Upper, 20" Center-to-Center		

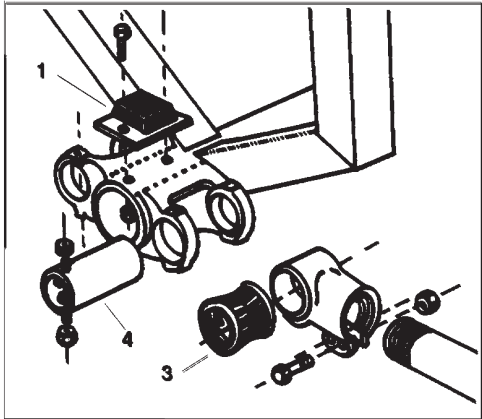
S.O.S. = Available through Meritor's S.O.S. Department

CHALMERS SUSPENSION

600 Series Truck



EARLY MODEL



1

CHALMERS SUSPENSION PARTS

600 Series

Truck

N/A = Part no longer available

KEY NO.	MERITOR NO.	REPLACES CHALMERS NO.	DESCRIPTION	QUANTITY PER SUSPENSION	1023	1030	PAGE NO.
1	R304677A (Rubber)	22128	Torque Arm bushing, OE Version	16 (Rubber)	X		1-22
	R308701 (Rubber)	22128	Torque Arm bushing, Aftermarket Version		X		
	R307427 (Poly)	22128	Torque Arm bushing		X		
	R307766 (Rubber)	800010	Torque Arm bushing, OE Version	32 (Poly)		X	
	R307426 (Poly)	800010	Torque Arm bushing			X	
1a	R304678A (Rubber)	22129	Torque Arm bushing, Oversized OE	As Required	X		1-22
	R308702 (Rubber)	22129	Torque Arm bushing, Oversized Aftermarket		X		
	R307767 (Rubber)	800009	Torque Arm bushing, Oversized OE			X	
	R308917 (Poly)	800009	Torque Arm bushing, Oversized			X	
2	R309571	800201	Spigot cap	16	X		1-21
	R307768	800055	Spigot cap			X	
3	N/A	373010	Restrictor can #10	2	X		—
	N/A	373014	Restrictor can #10, 1 1/8" Top Hole		X		
	N/A	373016	Restrictor can #15, 1 1/8" Top Hole			X	
	R304687	373015	Restrictor can #15	2		X	1-18
4	R307755	15010	Load spring #10	2	X		1-18
	R304686	15015	Load spring #15			X	
5	R307771	K403017	Rebound bolt assembly	1	X	X	1-20
6	85060	665174	Shock absorber	2	X	X	3-14
7	R307774	K880460	Hardware kit	2	X		1-21
	R307773	K880231	Hardware kit			X	

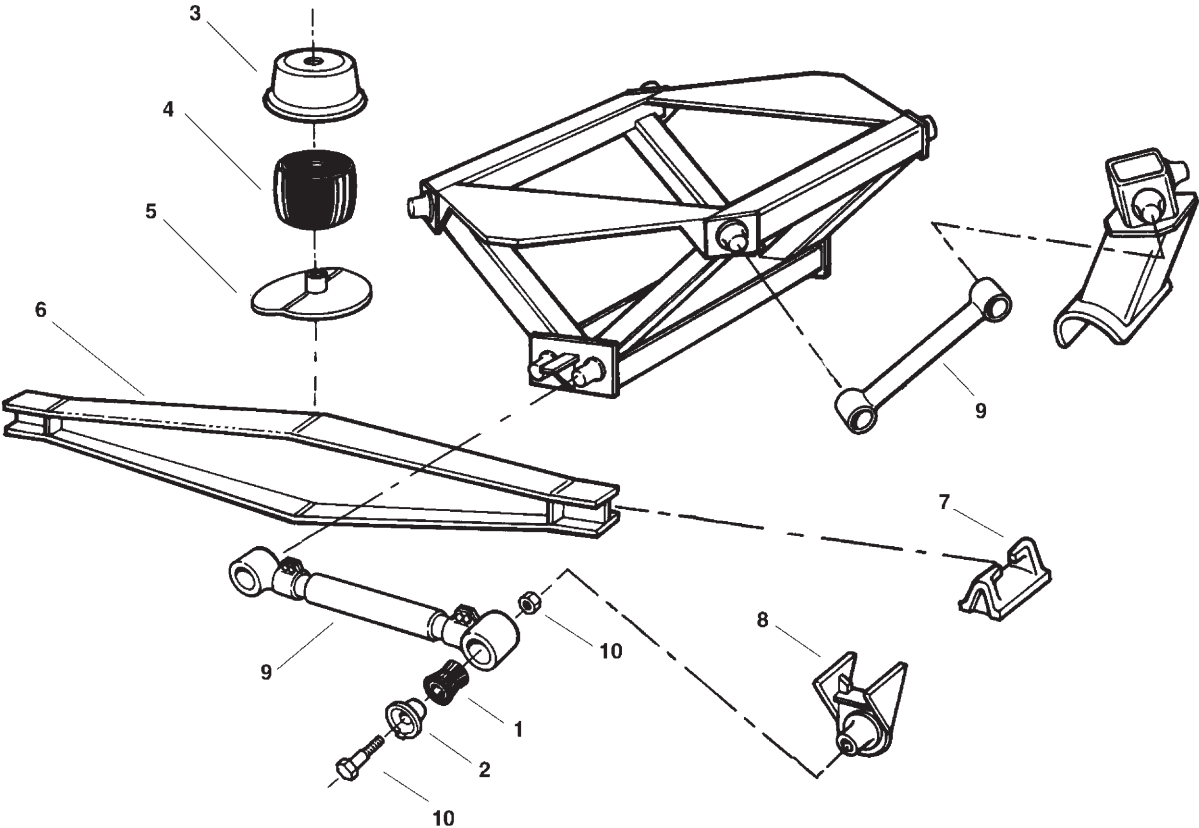
S.O.S. = Available through Meritor's S.O.S. Department

1

CHALMERS SUSPENSION

700 Series Trailer

1



Type "0" Joint, 46,000 lbs., Prior to January 1991
Type "1" Joint, 46,000 lbs., After January 1991
Type "2" Joint, 60,000 lbs.

CHALMERS SUSPENSION PARTS

700 Series

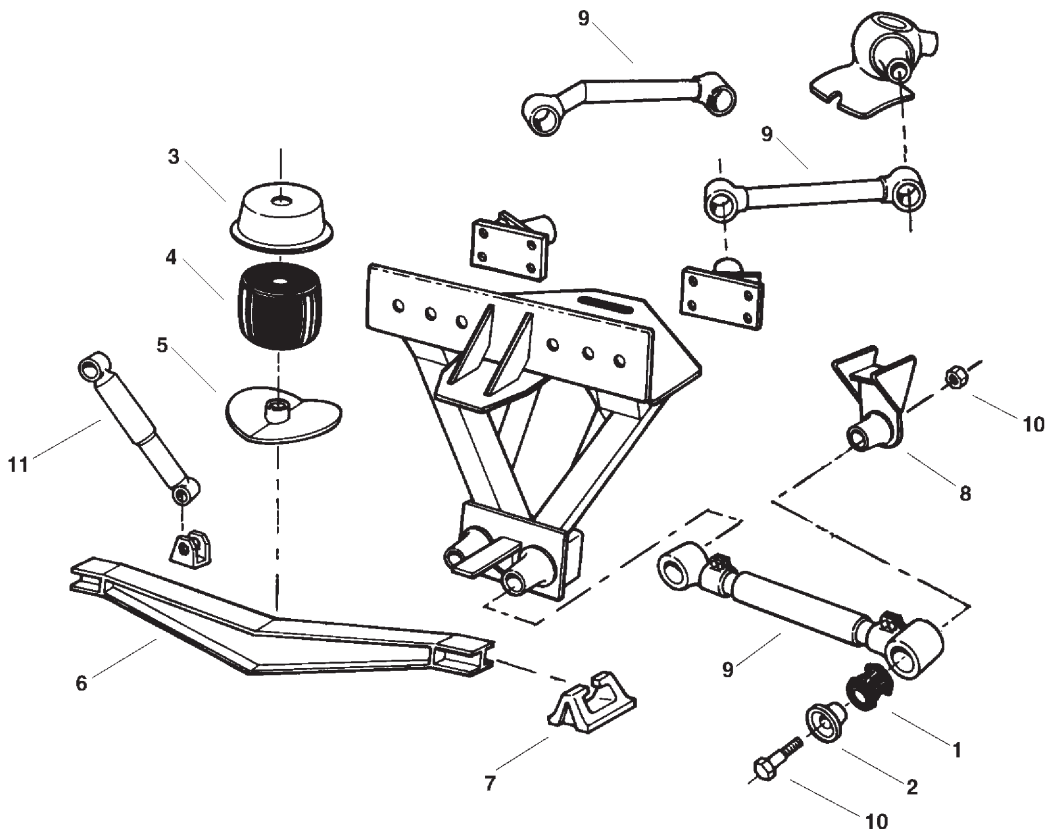
Trailer

KEY NO.	MERITOR NO.	REPLACES CHALMERS NO.	DESCRIPTION	QTY. PER TANDEM	TYPE "0" JOINT	TYPE "1" JOINT	TYPE "2" JOINT	PAGE NO.
1	R304677A (Rubber)	22128	Torque Arm Bushing, OE Version	16 (Rubber)	X	X		1-22
	R308701 (Rubber)	22128	Torque Arm Bushing, Aftermarket Version		X	X		
	R307427 (Poly)	22128	Torque Arm Bushing		X	X		
	R307766 (Rubber)	800010	Torque Arm Bushing, OE Version	32 (Poly)			X	
	R307426 (Poly)	800010	Torque Arm Bushing				X	
1a	R304678A (Rubber)	22129	Torque Arm Bushing, Oversized OE	As Required	X	X		1-22
	R308702 (Rubber)	22129	Torque Arm Bushing, Oversized Aftermarket		X	X		
	R307767 (Rubber)	800009	Torque Arm Bushing, Oversized OE				X	
	R308917 (Poly)	800009	Torque Arm Bushing, Oversized				X	
2	R304680	260002	Spigot Cap	16	X			1-21
	R309571	800201	Spigot Cap			X		
	R307768	800055	Spigot Cap				X	
3	R304688A	373020 (Old)	Restrictor Can #28 (Replaces Restrictor Can #20)	2				1-19
		373028 (New)						
	R307758	373029	Restrictor Can #29, High Center of Gravity					
4	R304685	15002	Load Spring #20	2				1-18
5	R304788A	700021	Spring Plate	2				1-19
		700520						
6	R304793	700083	Walking Beam, 54" Axle Spread	2				1-20
7	R307756	222083	Saddle, 5" Round or 4" x 6" Rectangular Axle	4				1-22
	S.O.S.	231026	Saddle, 5" Square Axle					—
8	R307757	222139	Axle Bracket, 5" Round Axle, Spigot Type	4	X	X	X	1-21
	S.O.S.	231000	Axle Bracket, 5" Square Axle, Spigot Type		X	X	X	—
	S.O.S.	228006	Axle Bracket, 4" x 6" Rectangular Axle, Spigot Type		X	X	X	—
9	R304789	216214	Adjustable Torque Arm, 21 1/2" Center-to-Center	2				1-23
	R304790	216240	Adjustable Torque Arm, 24" Center-to-Center					
	R304791	223214	Rigid Torque Arm, 21 1/2" Center-to-Center	6				1-23
	R304792	223240	Rigid Torque Arm, 24" Center-to-Center					
10	R307772	K880230	Hardware Kit	4	X			1-21
	R307774	K880460	Hardware Kit			X		
	R307773	K880231	Hardware Kit				X	

S.O.S. = Available through Meritor's S.O.S. Department

CHALMERS SUSPENSION

800 Series Truck/Trailer



Type "0" Joint, 40,000 lbs., Prior to January 1993
Type "1" Joint, 40,000 lbs., After January 1993
Type "2" Joint, 46,000 lbs.

CHALMERS SUSPENSION PARTS

800 Series

Truck/Tractor

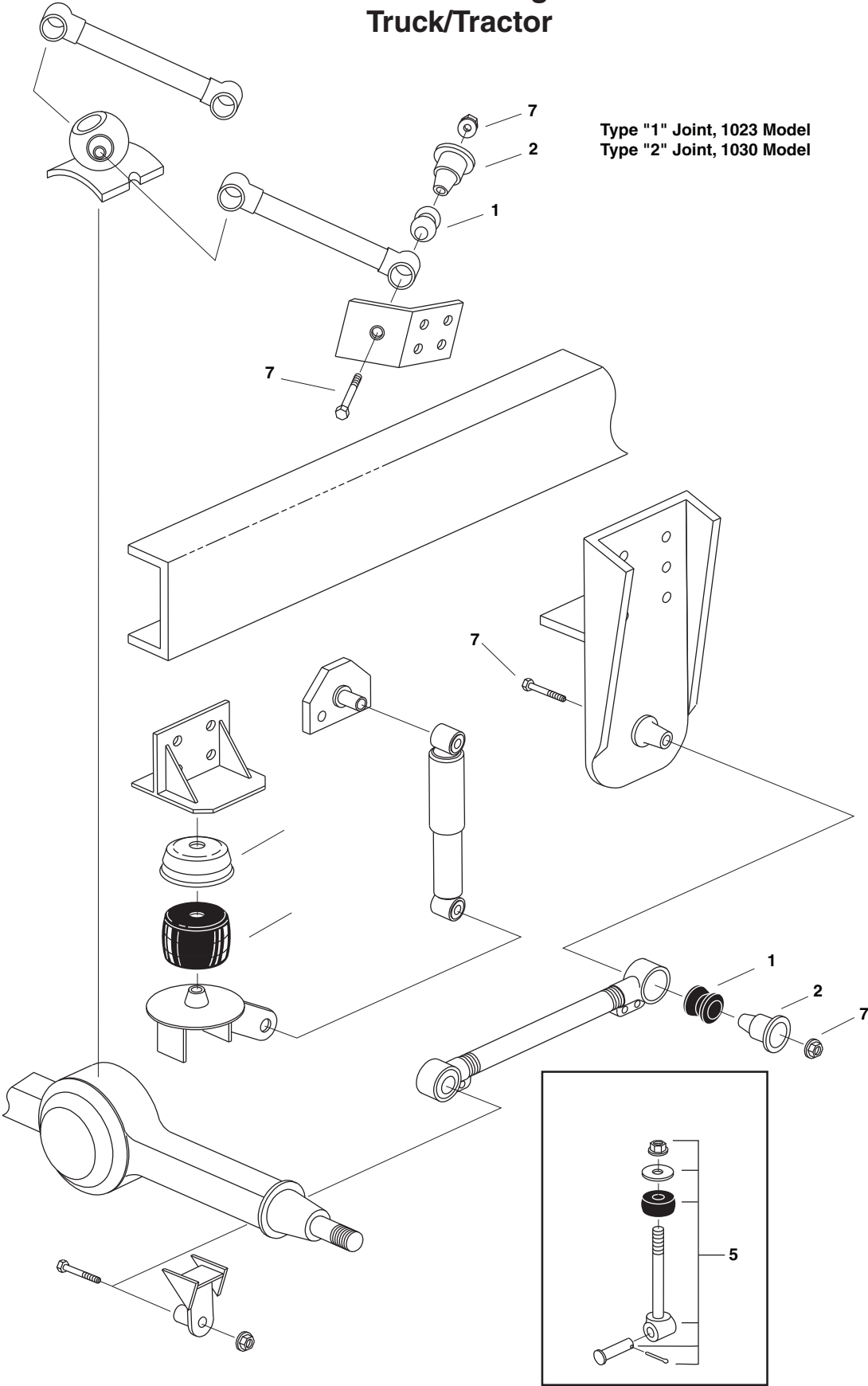
KEY NO.	MERITOR NO.	REPLACES CHALMERS NO.	DESCRIPTION	QUANTITY PER SUSPENSION	TYPE "0" JOINT	TYPE "1" JOINT	TYPE "2" JOINT	PAGE NO.
1	R304677A(Rubber)	22128	Torque Arm Bushing, OE Version	16 (Rubber)	X	X		1-22
	R308701 (Rubber)	22128	Torque Arm Bushing, Aftermarket Version		X	X		
	R307427 (Poly)	22128	Torque Arm Bushing		X	X		
	R307766 (Rubber)	800010	Torque Arm Bushing, OE Version	32 (Poly)			X	
	R307426 (Poly)	800010	Torque Arm Bushing				X	
1a	R304678A(Rubber)	22129	Torque Arm Bushing, Oversized OE	As Required	X	X		1-22
	R308702 (Rubber)	22129	Torque Arm Bushing, Oversized Aftermarket		X	X		
	R307767 (Rubber)	800009	Torque Arm Bushing, Oversized OE				X	
	R308917 (Poly)	800009	Torque Arm Bushing, Oversized				X	
2	R304680	260002	Spigot Cap	16	X			1-21
	R309571	800201	Spigot Cap			X		
	R307768	800055	Spigot Cap				X	
3	R304688A	373028	Restrictor Can #28	2				1-19
		373020 (old)	(Replaces #20 Restrictor Can)					
	R307758	373029	Restrictor Can #29, High Center of Gravity					
4	R304685	15002	Load Spring #20	2	X	X	X	1-18
5	R307769	800117	Spring Plate, High Mount for 54" Axle Spread	2				1-19
	R307770	800125	Spring Plate, Low Mount for 54" Axle Spread					
6	S.O.S.	Various	Walking Beam	2				—
7	S.O.S.	Various	Saddle (for 5" Round use R307756)	4				1-22
8	S.O.S.	Various	Axle Bracket	4	X			—
9	S.O.S.	Various	Adjustable Torque Arm , Lower, Specify Length	4				—
	S.O.S.	223157	Rigid Torque Arm, Upper, 15 7/8" For 40,000 lbs. Capacity Tandem	4				
	S.O.S.	800049	Rigid Torque Arm, Upper, Curved Design For 46,000 - 50,000 lbs. Capacity Tandem					
10	R307772	K880230	Hardware Kit		X			1-21
	R307774	K880460	Hardware Kit	4		X		
	R307773	K880231	Hardware Kit				X	
11	85301	800670	Shock Absorber, High Mount	4				3-25
	85305	85305	Shock Absorber, Low Mount					3-26

S.O.S. = Available through Meritor S.O.S. Department

CHALMERS SUSPENSION

1023 and 1030 Single Axle Truck/Tractor

Type "1" Joint, 1023 Model
Type "2" Joint, 1030 Model



1

CHALMERS SUSPENSION PARTS

1023 and 1030 Single Axle

Truck/Tractor

N/A = Part no longer available

KEY NO.	MERITOR NO.	REPLACES CHALMERS NO.	DESCRIPTION	QUANTITY PER SUSPENSION	1023	1030	PAGE NO.
1	R304677A (Rubber)	22128	Torque Arm Bushing, OE Version	16 (Rubber) 32 (Poly)	X		1-22
	R308701 (Rubber)	22128	Torque Arm Bushing, Aftermarket Version		X		
	R307427 (Poly)	22128	Torque Arm Bushing		X		
	R307766 (Rubber)	800010	Torque Arm Bushing, OE Version			X	
	R307426 (Poly)	800010	Torque Arm Bushing			X	
1a	R304678A (Rubber)	22129	Torque Arm Bushing, Oversized OE	As Required	X		1-22
	R308702 (Rubber)	22129	Torque Arm Bushing, Oversized Aftermarket		X		
	R307767 (Rubber)	800009	Torque Arm Bushing, Oversized OE			X	
	R308917 (Poly)	800009	Torque Arm Bushing, Oversized			X	
2	R309571	800201	Spigot Cap	16	X		1-21
	R307768	800055	Spigot Cap			X	
3	N/A	373010	Restrictor Can #10	2	X		—
	N/A	373014	Restrictor Can #10, 1 1/8" Top Hole		X		
	N/A	373016	Restrictor Can #15, 1 1/8" Top Hole			X	
	R304687	373015	Restrictor Can #15		X		
4	R307755	15010	Load Spring #10	2	X		1-18
	R304686	15015	Load Spring #15			X	
5	R307771	K403017	Rebound Bolt Assembly	1	X	X	1-20
6	85060	665174	Shock Absorber	2	X	X	3-14
7	R307774	K880460	Hardware Kit	2	X		1-21
	R307773	K880231	Hardware Kit			X	

1

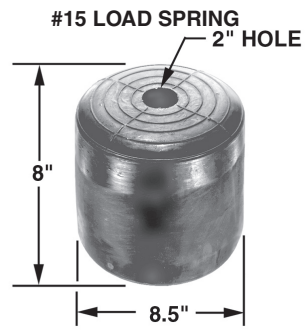
CHALMERS SUSPENSION PARTS



MERITOR NO.	REPLACES	APPLICATION
R307755	Chalmers 15010	For Chalmers Models 1023, 1300



MERITOR NO.	REPLACES	APPLICATION
R304685	Chalmers 15002	For Chalmers Models 300, 500, 700, 800, 1100



MERITOR NO.	REPLACES	APPLICATION
R304686	Chalmers 15015	For Chalmers Models 300, 600, 1030



MERITOR NO.	REPLACES	APPLICATION
R304687	Chalmers 373015	For Chalmers Models 300, 600, 1030 using an R304686 #15 Load Spring .

1

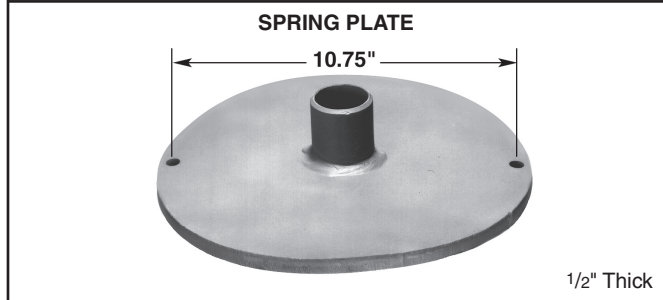
CHALMERS SUSPENSION PARTS



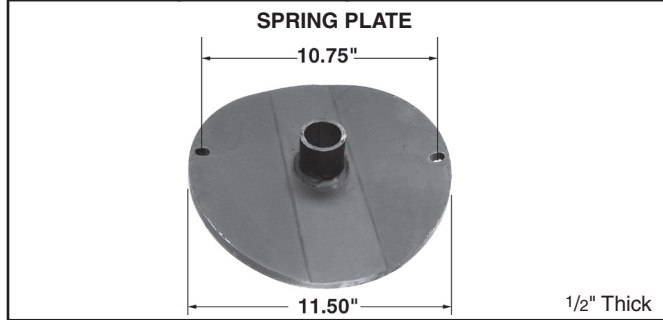
MERITOR NO.	REPLACES	APPLICATION
R307763	Chalmers 373017	For Chalmers Model 1300 using an R304686 #15 Load Spring .



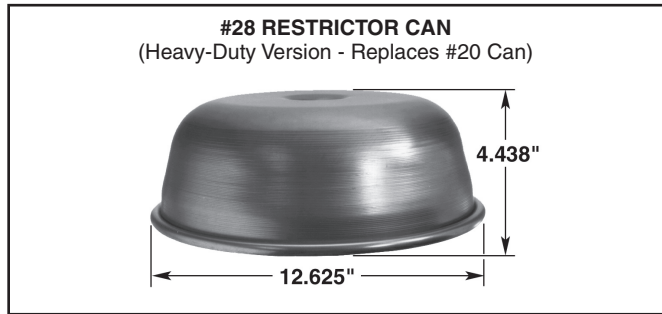
MERITOR NO.	REPLACES	APPLICATION
R307758	Chalmers 373029	For Chalmers Models 700, 800 with a high center of gravity, using an R304685 #20 Load Spring



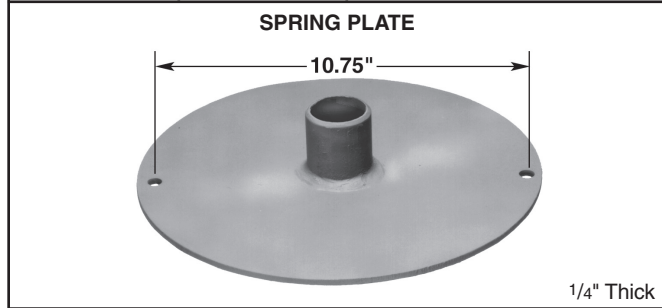
MERITOR NO.	REPLACES	APPLICATION
R304788A	Chalmers 700520 700021	700 Series



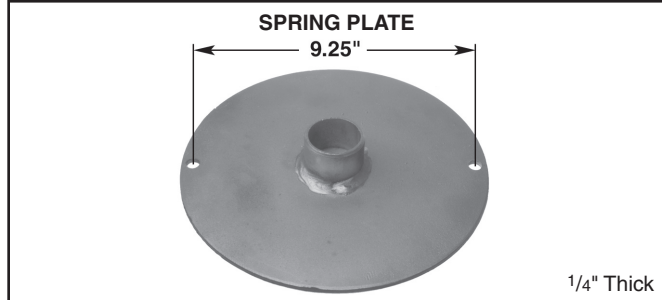
MERITOR NO.	REPLACES	APPLICATION
R307769	Chalmers 800689	For Chalmers Model 800 with "Hi-Mount" walking beam and 54" axle spread.



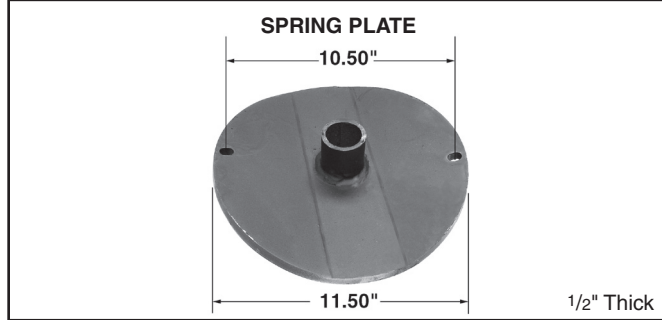
MERITOR NO.	REPLACES	APPLICATION
R304688A	Chalmers 373028 373020 (old)	Standard for use with an R304685 #20 Load Spring.



MERITOR NO.	REPLACES	APPLICATION
R304786	Chalmers 22116	300 and 600 Series



MERITOR NO.	REPLACES	APPLICATION
R307754	Chalmers 130027	1300 Series

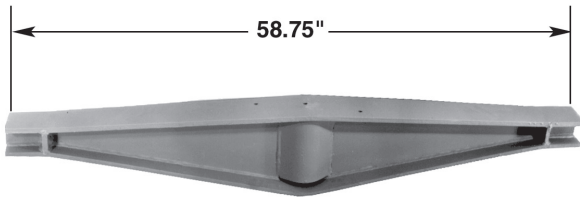


MERITOR NO.	REPLACES	APPLICATION
R307770	Chalmers 800691	For Chalmers Model 800 with "Low-Mount" walking beam and 54" axle spread.

1

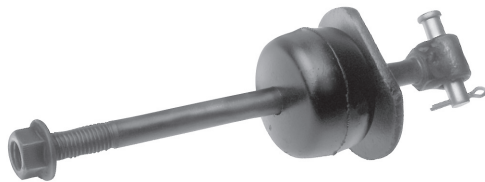
CHALMERS SUSPENSION PARTS

WALKING BEAM



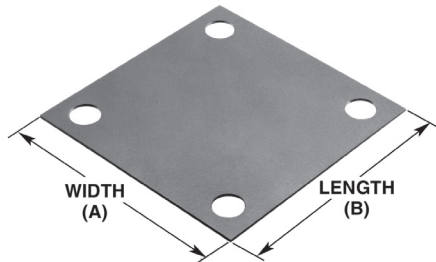
MERITOR NO.	REPLACES	APPLICATION
R304793	Chalmers 700083	700 Series with 54" Axle Spacing

REBOUND KIT



MERITOR NO.	REPLACES	APPLICATION
R307771	Chalmers K403017	For Chalmers Models 1023, 1030. Includes rubber rebound stop spring and all installation hardware.

WISHBONE SHIM



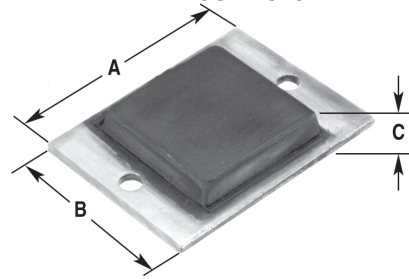
MERITOR NO.	REPLACES	A	B	THICKNESS
R304681	Chalmers 22105	5 1/2"	5 1/2"	16 ga.

**WISHBONE END BUSHING
New Style**



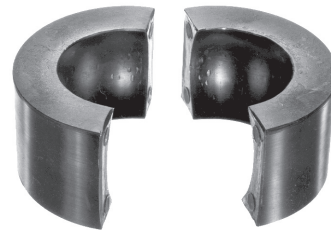
MERITOR NO.	REPLACES	O.D.	I.D.	LENGTH
R304683	Chalmers 22115	4 1/16"	3 1/2"	3 1/4"

REBOUND STOP



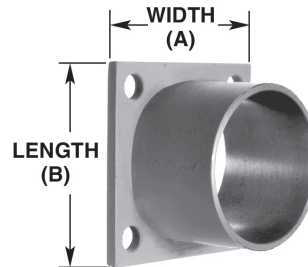
MERITOR NO.	REPLACES	A	B	C
R304675	Chalmers 48045	4 1/2"	3 1/2"	5/8"

**WISHBONE APEX BUSHING
2 PIECE**



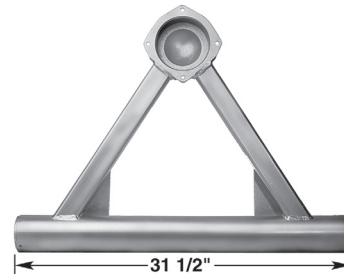
MERITOR NO.	REPLACES	APPLICATION
R304674	Chalmers 22036	Two pieces make up one part number

WISHBONE END



MERITOR NO.	REPLACES	A	B	O.D.	I.D.
R304682	Chalmers 22107	5 1/2"	5 1/2"	4 1/2"	4 1/8"

WISHBONE



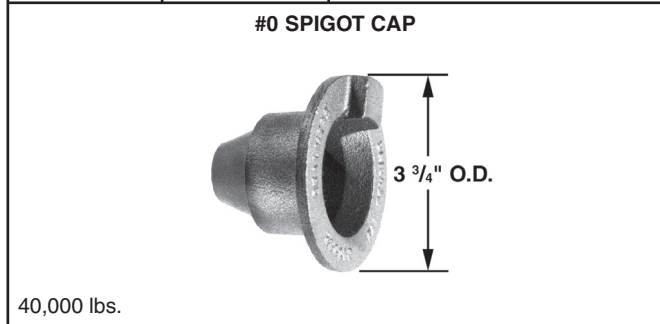
MERITOR NO.	REPLACES	APPLICATION
R307764	Chalmers 68017	For Chalmers Model 300

1

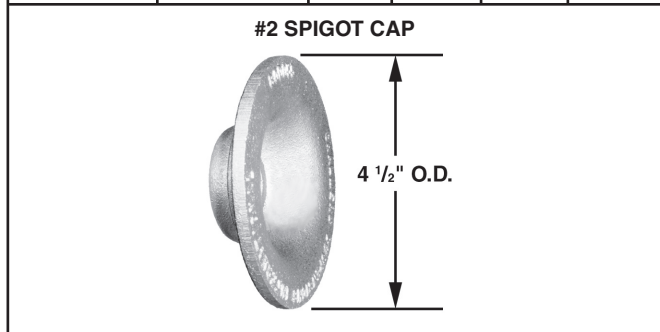
CHALMERS SUSPENSION PARTS



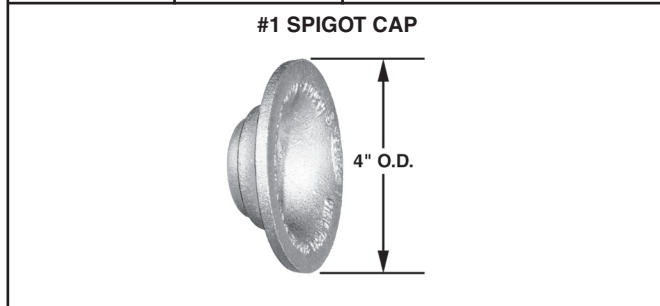
MERITOR NO.	REPLACES	APPLICATION
R304684	Chalmers Devcon "A"	For installing old style Wishbone End Bushing



MERITOR NO.	REPLACES	LG. O.D.	SM. O.D.	LG. I.D.	SM. I.D.
R304680	Chalmers 260002	3 3/4"	1 1/4"	2 3/8"	3/4"



MERITOR NO.	REPLACES	APPLICATION
R307768	Chalmers 800055	For Chalmers Models 800 (46,000 lbs.), 1030



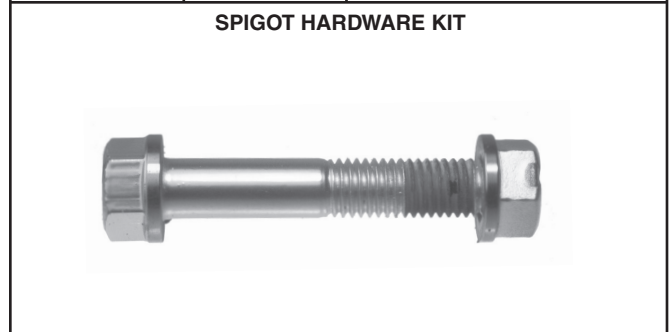
MERITOR NO.	REPLACES	APPLICATION
R309571	Chalmers 800201	For Models 700, 800, 1023 and 1030 (40,000 lbs.)



MERITOR NO.	REPLACES	O.D.	I.D.	LENGTH
N/A	Chalmers 22037	2 3/8"	2"	6"



MERITOR NO.	REPLACES	APPLICATION
R307757	Chalmers 222139	For All Chalmers Trailer Models.



MERITOR NO.	REPLACES	APPLICATION
R307772	Chalmers K880230	For #0 Spigots. Includes (4) 5/8" x 3 1/2" Bolts and Nuts.



MERITOR NO.	REPLACES	APPLICATION
R307773	Chalmers K880231	For #2 Spigots. Includes (4) 5/8" x 5 1/2" Bolts and Nuts.
R307774	Chalmers K880460	For #1 Spigots. Includes (4) 5/8" x 5" Bolts and Nuts.

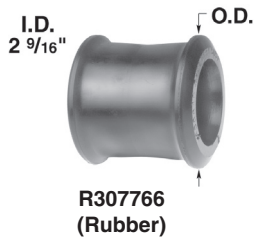
CHALMERS SUSPENSION PARTS

SADDLE 5" ROUND AXLE



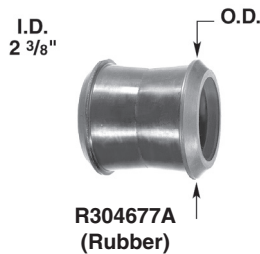
MERITOR NO.	REPLACES	APPLICATION
R307756	Chalmers 222083	For Chalmers Models 700, 800, 1300.

TORQUE ARM BUSHING (For Type 2 Joint)



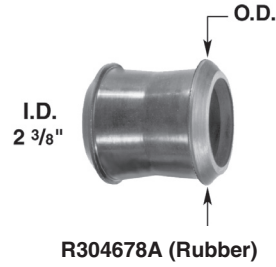
MERITOR NO.	REPLACES	LIP O.D.	LENGTH
R307766 (Rubber)	Chalmers 800010	4 1/4"	4 1/8"
R307426 (Poly)			2 1/8"

STANDARD TORQUE ARM BUSHING (For Type 0 & 1 Joints)



MERITOR NO.	REPLACES	LIP O.D.	LENGTH
R304677A (O.E. Rubber)	Chalmers 22128	3 5/8"	3 3/4"
R308701 (Rubber)			3 3/4"
R307427 (Poly)			1 7/8"

OVERSIZE TORQUE ARM BUSHING



MERITOR NO.	REPLACES	LIP O.D.	LENGTH
R304678A (O.E. Rubber)	Chalmers 22129	3 11/16"	3 3/4"
R308702 (Rubber)			

WEAR PLATE



MERITOR NO.	REPLACES	DIMENSIONS	APPLICATION
R307765	Chalmers 700313	3/8" Thick	For all Chalmers walking beams. Weld onto beam end when wear against saddle has reduced beam thickness by no greater than 1/16". If beam is worn more than 1/16", the beam must be replaced.

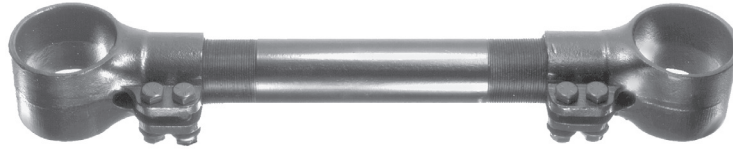
OVERSIZE TORQUE ARM BUSHING



MERITOR NO.	REPLACES	LIP O.D.	LENGTH
R307767 (Rubber)	Chalmers 800009	4 1/2"	4 1/8"
R308917 (Poly)			2 1/16"

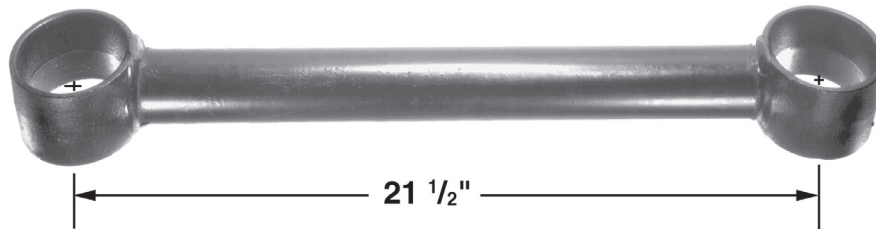
CHALMERS SUSPENSION PARTS

ADJUSTABLE TORQUE ARM



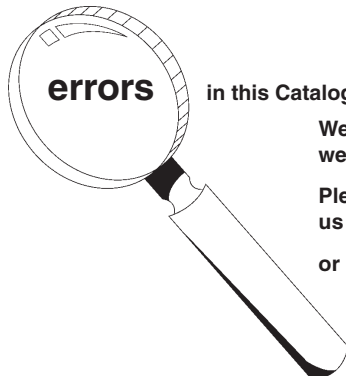
MERITOR NO.	REPLACES	APPLICATION	MERITOR BUSHING NO.	LENGTH Center-to-Center
R304789	Chalmers 216214	All Models	R308701	21 1/4"
R304790	Chalmers 216240	All Models	R308701	24"

RIGID TORQUE ARM



MERITOR NO.	REPLACES	APPLICATION	MERITOR BUSHING NO.	LENGTH Center-to-Center
R304791	Chalmers 223214	All Models	R308701	21 1/2"
R304792	Chalmers 223240	All Models	R308701	24"

If you detect any **errors** in this Catalog, please let us know.



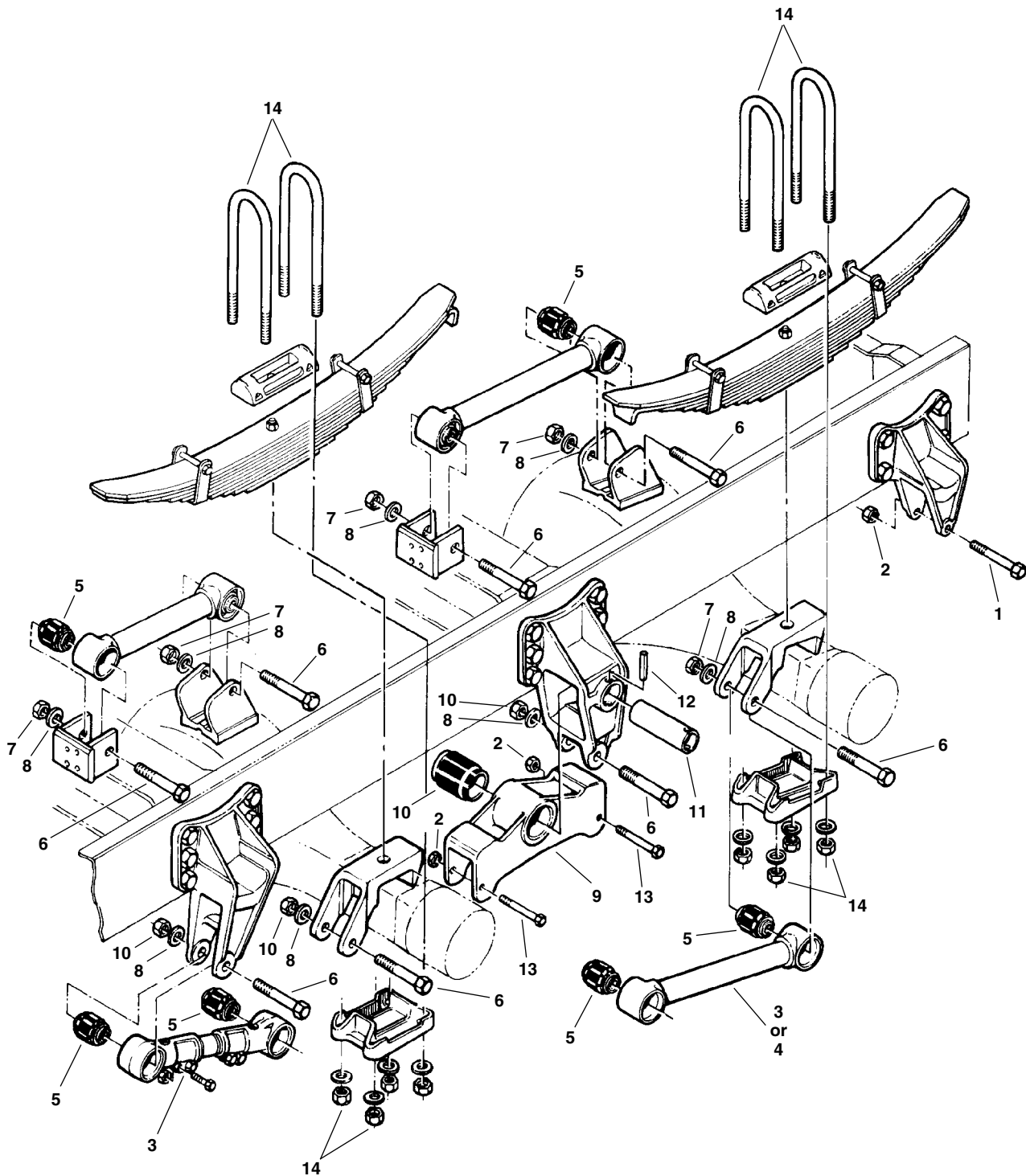
We want the information to be as accurate as possible; we appreciate your help in making it so.

Please e-mail any comments/suggestions/corrections to us at: catalogfeedback@arvinmeritor.com

or mail to: **ArvinMeritor, Inc.**
Attn: Catalog Dept.
7975 Dixie Highway
Florence, KY 41042-2754

DAYTON "TRUCKMASTER" SUSPENSION

Truck/Tractor



Note: Rigid Torque Arms and OEM Adjustable Torque Arms are no longer available. Use Meritor R302512 and R302513 Adjustable Torque Arms.

LEAF SPRING REFERENCES

SRI No.

55-883	7 Leaf
55-993	10 Leaf

DAYTON "TRUCKMASTER" SUSPENSION PARTS

Truck/Tractor

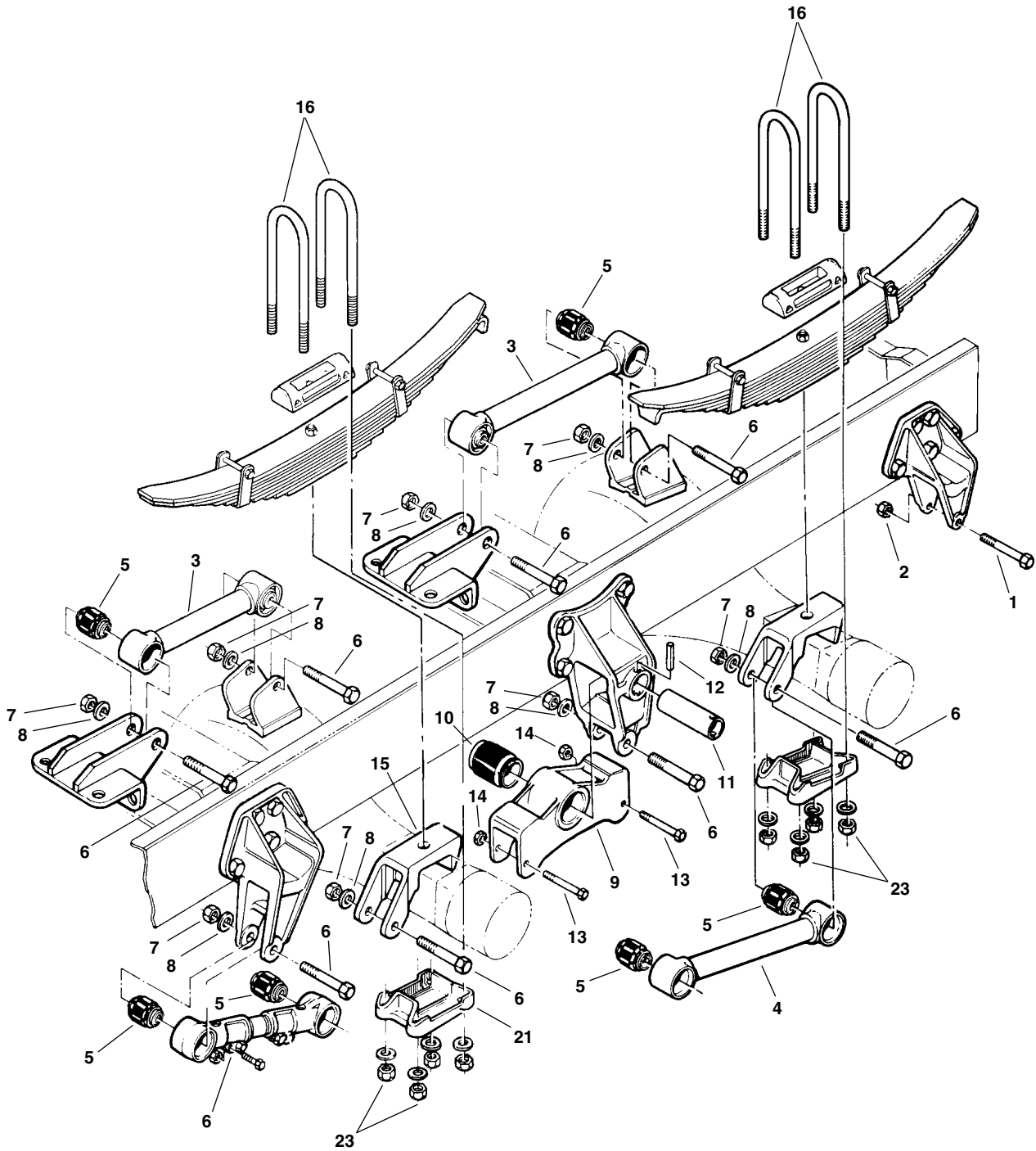
N/A = Part no longer available

KEY NO.	MERITOR NO.	REPLACES DAYTON NO.	DESCRIPTION	QUANTITY PER TANDEM	DODGE MACK WHITE	FORD	GMC	PAGE NO.
1	R303224	08-203551	Spring rebound bolt, rear hanger	2	X	X	X	2-32
2	R302988	08-203440	Spring rebound nut, rear hanger	3	X	X	X	2-34
3	Use R302512	39090035	Adjustable torque arm	3	X	X	X	1-30
	R302512	39090029	Adjustable torque arm		X	X	X	
4	Use R302513	39090036	Adjustable torque arm	3	X	X	X	1-30
	R302513	39090030	Adjustable torque arm		X	X	X	
—	R303087	—	Torque arm bushing assembly, for 39090035 / 39090036. Includes key nos. 8, 9, 10, 11	12	X	X	X	1-29
	R301981	—	Torque arm bushing assembly, for R302512 / R302513 Includes key nos. 8, 9, 10	12	X	X	X	
5	R303086 (Rubber)	39400013	Torque Arm bushing, for 39090035 / 39090036	12	X	X	X	1-29
	R301980 (Rubber)	39400016	Torque Arm Bushing, for R302512 / R302513		X	X	X	1-29
	R307520 (Poly)	39400016	Torque Arm Bushing, for R302512 / R302513		X	X	X	1-29
6	R30901	08-203488	Torque arm bolt, all	12	X	X	X	2-32
7	R302983	08-204568	Torque arm nut, all	12	X	X	X	2-34
8	R302536	08-204565	Torque arm washer, for 39090035 / 39090036	12	X	X	X	2-35
9	R303080	39240007	Equalizer assembly, includes bushing	2	X	X	X	1-29
—	R303085A	—	Equalizer bushing assembly, includes key nos. 13, 14, 15	2	X	X	X	1-29
10	R303082	39400014	Equalizer bushing	2	X	X	X	1-29
11	R303083A	39400089	Equalizer shaft	2	X	X	X	1-30
12	R301279	08-204569	Groove pin	2	X	X	X	1-30
13	N/A	08-203531	Spring rebound bolt, equalizer	4	X	X	X	—
14	R30U8161-12	—	U-bolt assembly, rd. bend, 7/8"-14 Thd. x 3" Wide x 12" Long	8	X	X	X	2-25
	R30U8161-14	—	U-bolt assembly, rd. bend, 7/8"-14 Thd. x 3" Wide x 14" Long		X	X	X	
	R30U8161-16	—	U-bolt assembly, rd. bend, 7/8"-14 Thd. x 3" Wide x 16" Long		X	X	X	
	R30U8161-18	—	U-bolt assembly, rd. bend, 7/8"-14 Thd. x 3" Wide x 18" Long,		X	X	X	
	R30U8165-12	—	U-bolt assembly, rd. bend, 7/8"-14 Thd. x 5" Wide x 12" Long,		X	X	X	2-26
	R30U8165-14	—	U-bolt assembly, rd. bend, 7/8"-14 Thd. x 5" Wide x 14" Long,		X	X	X	

1

DAYTON/NAVISTAR SUSPENSION

Truck/Tractor



Note: Rigid Torque Arms and OEM Adjustable Torque Arms are no longer available. Use Meritor R302512 and R302513 Adjustable Torque Arms.

LEAF SPRING REFERENCES

SRI No.

55-883

7 Leaf (I.H.)

DAYTON/NAVISTAR SUSPENSION PARTS

Truck/Tractor

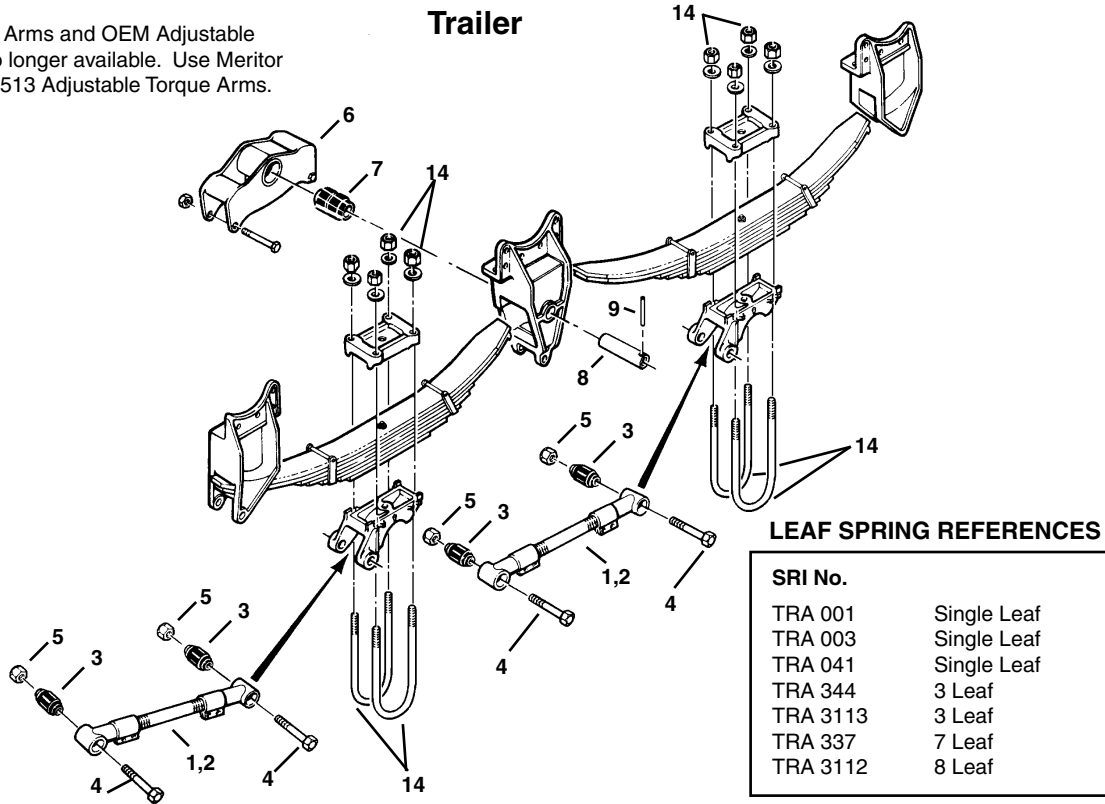
N/A = Part no longer available

KEY NO.	MERITOR NO.	REPLACES DAYTON NO.	DESCRIPTION	QUANTITY PER TANDEM	PAGE NO.
1	R303224	08-203551	Spring Rebound Bolt, Rear Hanger	3	2-32
2	R302988	08-203440	Spring Rebound Nut, Rear Hanger	3	2-34
3	Use R302512	412594C93	Adjustable Torque Arm, Curbside, Upper and Lower Front	2	1-30
	Use R302513	412595C93	Adjustable Torque Arm, Curbside, Upper and Lower Rear	2	
4	Use R302512	412592C91	Rigid Torque Arm, Roadside, Lower Front	1	1-30
	Use R302513	412593C91	Rigid Torque Arm, Roadside, Lower Rear	1	
—	R303087	—	Torque Arm Bushing Assembly, for Original OEM Torque Arms Includes Key Nos. 8, 9, 10, 11	12	1-29
—	R301981	—	Torque Arm Bushing Assembly, for R302512 or R302513 Torque Arms Includes Key Nos. 8, 9, 10	12	1-29
5	R303086 (Rubber)	412587C1	Torque Arm Bushing, for Original OEM Torque Arms	12	1-29
	R301980 (Rubber)	39400016	Torque Arm Bushing, for R302512 or R302513 Torque Arms	12	1-29
	R307520 (Poly)				
6	R30901	346951C1	Torque Arm Bolt, All	12	2-32
7	R302983	414001	Torque Arm Nut, All	12	2-34
8	R302536	08-204568	Torque Arm Washer, for Original OEM Torque Arms	12	2-35
9	R303081	377202C11	Equalizer Assembly, Includes Bushing	2	1-29
—	R303085A	—	Equalizer Bushing Assembly, Includes Key Nos. 13, 14, 15	2	1-29
10	R303082	377203C11	Equalizer Bushing	2	1-29
11	R303083A	365350C1	Equalizer Shaft	2	1-30
12	R301279	08-204569	Groove Pin	2	1-30
13	N/A	08-203531	Spring Rebound Bolt, Equalizer	4	—
14	R303560	334-490	Spring Rebound Nut, Equalizer	4	2-34
15	R303214	39060087	Axle Seat, Front Axle, Meritor SQHD, SLHD, 3 3/4" High	2	1-30
16	R30U8161-12	—	U-Bolt Assembly, Rd. Bend, 7/8"-14 Thd. x 3" Wide x 12" Long	8	2-25
	R30U8161-14	—	U-Bolt Assembly, Rd. Bend, 7/8"-14 Thd. x 3" Wide x 14" Long		
	R30U8161-16	—	U-Bolt Assembly, Rd. Bend, 7/8"-14 Thd. x 3" Wide x 16" Long		
	R30U8161-18	—	U-Bolt Assembly, Rd. Bend, 7/8"-14 Thd. x 3" Wide x 18" Long		
	R30U8165-12	—	U-Bolt Assembly, Rd. Bend, 7/8"-14 Thd. x 5" Wide x 12" Long	8	2-26
	R30U8165-14	—	U-Bolt Assembly, Rd. Bend, 7/8"-14 Thd. x 5" Wide x 14" Long		

1

DAYTON "TRI-LITE" TRAILER SUSPENSION

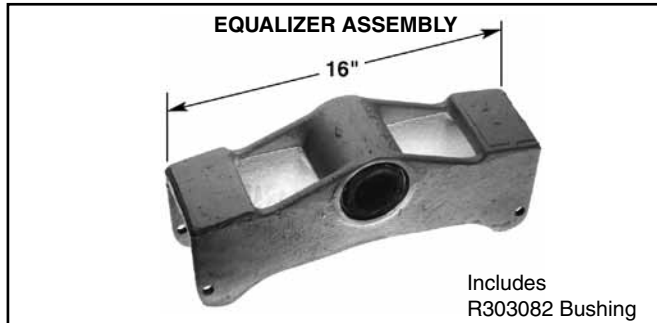
Note: Rigid Torque Arms and OEM Adjustable Torque Arms are no longer available. Use Meritor R302512 and R302513 Adjustable Torque Arms.



N/A = Part no longer available

KEY NO.	MERITOR NO.	REPLACES DAYTON NO.	DESCRIPTION	QUANTITY PER TANDEM	PAGE NO.
1	R302512	39090029	Adjustable Torque Arm, Front Axle, Roadside	1	1-30
	R302513	39090030	Adjustable Torque Arm, Rear Axle, Roadside	1	1-30
2	Use R302512	39080011	Rigid Torque Arm, Front Axle, Curbside, 16 1/2" Center-to-Center	1	1-30
	Use R302512	39080063	Rigid Torque Arm, Front Axle, Curbside, 17 1/2" Center-to-Center		
	Use R302513	39080089	Rigid Torque Arm, Rear Axle, Curbside, 19 1/2" Center-to-Center	1	1-30
	Use R302513	39080092	Rigid Torque Arm, Rear Axle, Curbside, 20" Center-to-Center		
—	R301981	—	Torque Arm Bushing Assembly, Includes Key Nos. 6, 7, 8	8	1-29
3	R301980 (Rubber)	39400016	Torque Arm Bushing	8	1-29
	R307520 (Poly)				
4	R30901	08-203488	Torque Arm Bolt	8	2-32
5	R302983	08-204568	Torque Arm Nut	8	2-34
6	R303080	39240007	Equalizer Assembly - Includes Bushing	2	1-29
—	R303085A	—	Equalizer Bushing Assembly, Includes Key Nos. 10, 11, 12	2	1-29
7	R303082	39400014	Equalizer Bushing	2	1-29
8	R303083A	39400089	Equalizer Shaft, 2" O.D. x 6 7/8" Lg.	2	1-30
9	R301279	08-204569	Groove Pin	2	1-30
10	N/A	08-203531	Spring Rebound Bolt, Equalizer	4	—
11	R303560	08-203440	Spring Rebound Nut, Equalizer	4	2-34
12	R302840	39050021	Top Plate, 5" Rd. and 5" Sq. Axles, with U-Bolts Down	As Required	1-30
13	R302842	—	Delrin Spring Liner	As Required	1-30
14	R30U8161-12	—	U-Bolt Assembly, Rd. Bend, 7/8"-14 Thd. x 3" Wide x 12" Long	8	2-25
	R30U8161-14	—	U-Bolt Assembly, Rd. Bend, 7/8"-14 Thd. x 3" Wide x 14" Long		
	R30U8161-16	—	U-Bolt Assembly, Rd. Bend, 7/8"-14 Thd. x 3" Wide x 16" Long		
	R30U8161-18	—	U-Bolt Assembly, Rd. Bend, 7/8"-14 Thd. x 3" Wide x 18" Long		
	R30U8165-12	—	U-Bolt Assembly, Rd. Bend, 7/8"-14 Thd. x 5" Wide x 12" Long		
	R30U8165-14	—	U-Bolt Assembly, Rd. Bend, 7/8"-14 Thd. x 5" Wide x 14" Long	8	2-26

DAYTON SUSPENSION PARTS



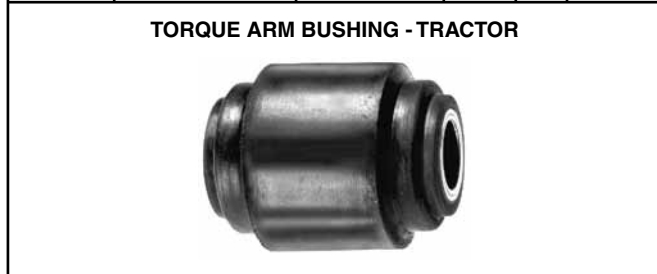
MERITOR NO.	REPLACES	FOR MODEL
R303080	Dayton 39240007	"Truckmaster" "Tri-Lite"



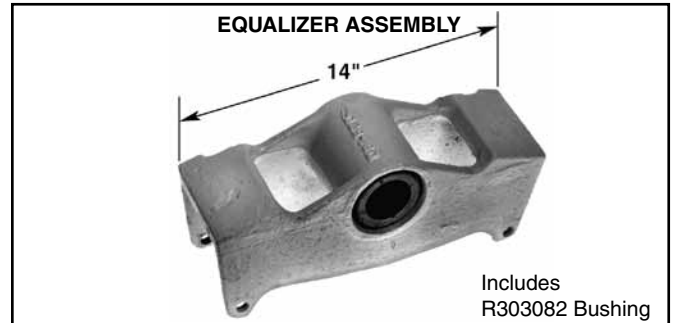
MERITOR NO.	REPLACES	FOR MODEL	INCLUDES
R303085A	Dayton 39400014 Navistar 377203-C1	"Truckmaster" "Tri-Lite" Navistar	1 R303082 Bushing
	Dayton 39400021 Navistar 365350-C1		1 R303083A Shaft
	Dayton 08-204566		1 R301279 Groove Pin



MERITOR NO.	REPLACES	FOR MODEL	O.D.	I.D.	LENGTH
R303082	Dayton 39400014	"Truckmaster" "Tri-Lite" Navistar	3 1/8"	2"	4 1/4"
	Navistar 377203-C1				



MERITOR NO.	REPLACES	FOR MODEL	O.D.	I.D.	LENGTH
R303086 (Rubber)	Dayton 39400013 Navistar 412587-C1	"Truckmaster" and Late Model Navistar	2 3/8"	7/8"	3"



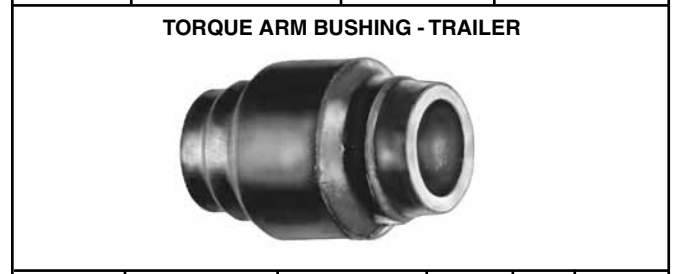
MERITOR NO.	REPLACES	FOR MODEL
R303081	Navistar 377202-C11	Navistar



MERITOR NO.	REPLACES	FOR MODEL	INCLUDES
R303087	Dayton 39400013 Navistar 412587-C1	"Truckmaster" and Early Model Navistar	1 R303086 Bushing
	Dayton 08-203488 Navistar 346951-C1		1 R30901 Bolt
	Dayton 08-204568		1 R302536 Washer
	Dayton 08-20458 Navistar 414001		1 R302983 Nut



MERITOR NO.	REPLACES	FOR MODEL	INCLUDES
R301981	Dayton 39400016 Navistar 347374-C1	"Tri-Lite" and Early Model Navistar	1 R301980 Bushing
	Dayton 08-203488 Navistar 346951-C1		1 R30901 Bolt
	Dayton 08-204568		1 R302983 Nut
	Navistar 414001		



MERITOR NO.	REPLACES	FOR MODEL	O.D.	I.D.	LENGTH
R301980 (Rubber)	Dayton 39400016 Navistar 347374C1	"Tri-Lite" and Early Model Navistar	1 29/32"	7/8"	3"
R307520 (Poly)					

DAYTON TORQUE ARMS

ADJUSTABLE



TYPE 1

MERITOR NO. WITH BUSHINGS	MERITOR NO. LESS BUSHINGS	REPLACES	FOR MODEL	BUSHING NO.	BUSHING KIT	ADJUSTABLE LENGTH	TYPE
R302512	R302292	Dayton 39090029 Front	"Tri-Lite"	R301980	R301981	14 3/4" to 18"	1
R302513	R302293	Dayton 39090030 Rear	"Tri-Lite"	R301980	R301981	18 1/2" to 21 1/2"	1

1

TOP PLATE - TRUCK / TRAILER



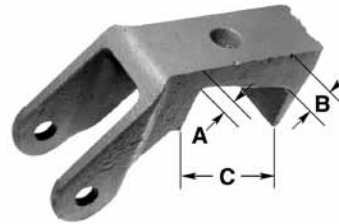
MERITOR NO.	REPLACES	FOR MODEL
R302840	Dayton 39050021	"Truckmaster" and "Tri-Lite"

SPRING LINER PAD



MERITOR NO.	REPLACES	FOR MODEL	WIDTH	LENGTH	THICKNESS
R302842	—	Dayton "TRI-LITE"	2 7/8"	8"	.043"

SPRING SEAT - TRUCK



MERITOR NO.	REPLACES	FOR MODEL	PINION ANGLE	A	B	C
R303214	Navistar 346459-C1 Dayton 39060087	"Truckmaster" Navistar	3°	7/8"	1 1/8"	4 1/4"

EQUALIZER SHAFT



MERITOR NO.	REPLACES	APPLICATION	O.D.	LENGTH
R303083A	Dayton 39400089	Four-Spring Suspension with Steel Hangers	2"	6 7/8"

LOCK PIN



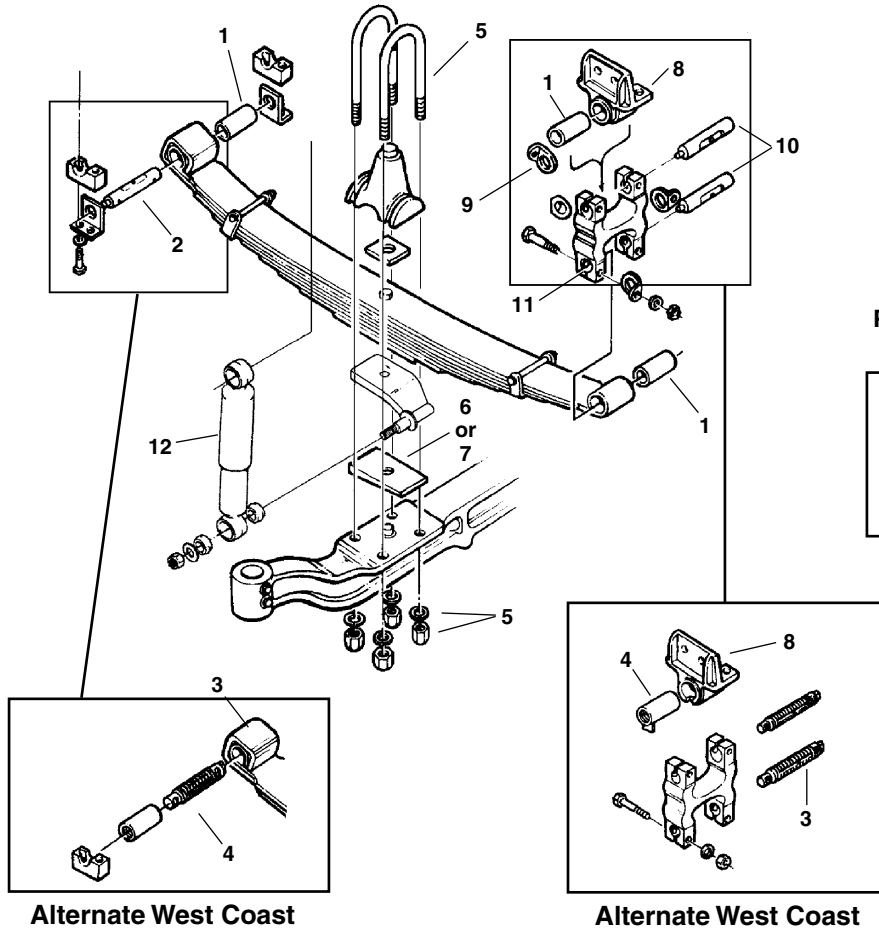
MERITOR NO.	REPLACES	APPLICATION	O.D.	LENGTH
R301279	Dayton 08-204569	Four-Spring Suspension with Steel Hangers	1/2"	2 3/4"

NOTES

Empty rectangular box for notes.

FREIGHTLINER FRONT SUSPENSION

For 3 1/2" Wide Springs or
4" Wide with Cutdown Eyes To 1993
Truck/Tractor



POPULAR LEAF SPRING REFERENCES

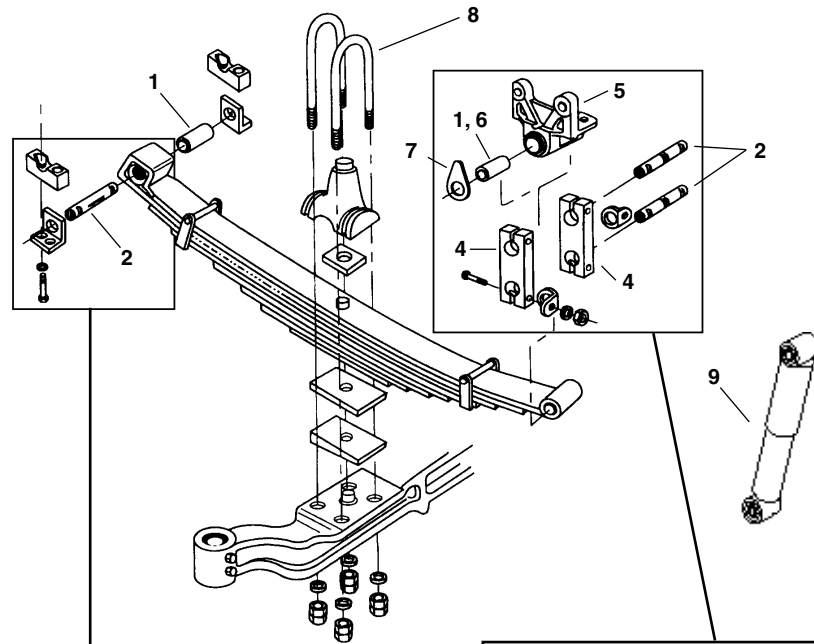
SRI No.	
46-788	7 Leaf
46-790	8 Leaf
46-860	7 Leaf
46-862	7 Leaf

N/A - No longer available

KEY NO.	MERITOR NO.	REPLACES FREIGHTLINER NO.	DESCRIPTION	QUANTITY PER AXLE	PAGE NO.
1	R303533	16-1005-000	Front and Rear Spring Eye Bushing, Non-Threaded	6	1-40
2	R303531	16-10509	Front Spring Pin, Non-Threaded	2	1-40
3	R303532	16-9597	Front and Rear Spring Pin, Threaded	6	1-40
4	R303534	16-9926	Front and Rear Spring Eye Bushing, Threaded 1 1/4" - 8	6	1-40
4a	R308799	16-12301-000	Front and Rear Spring Eye Bushing, Threaded 1 1/4" - 7	6	1-40
5	R30U8153-10	—	U-Bolt Assembly, Rd. Bend, 3/4"-16 Thd. x 3 1/2" Wide x 10" Long	4	2-25
6	N/A	11-7007-2	Axle Shim, 2°	4	—
7	N/A	11-7007-4	Axle Shim, 4°	4	—
8	R303536	16-9906 16-1003-1	Spring Hanger	2	1-40
9	R303537A	16-9040-2	Shim	4	1-41
10	R303530	16-10510	Rear Spring Pin, Non-Threaded	2	1-40
11	N/A	16-2304 16-10241	Spring Shackle	2	—
12	85302	70042	Shock Absorber	2	3-10
	85320	10-12032-2	Gas-Magnum 65		

FREIGHTLINER FRONT SUSPENSION

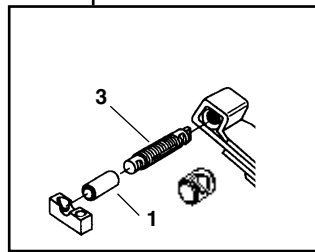
For 4" Wide Springs
FLD112, 120 Conventional, COE



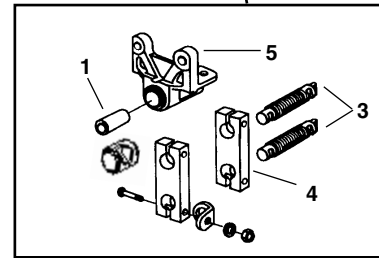
**POPULAR
LEAF SPRING
REFERENCE**

SRI No.

46-122 3 Leaf
46-220 3 Leaf



Alternate Threaded Pin

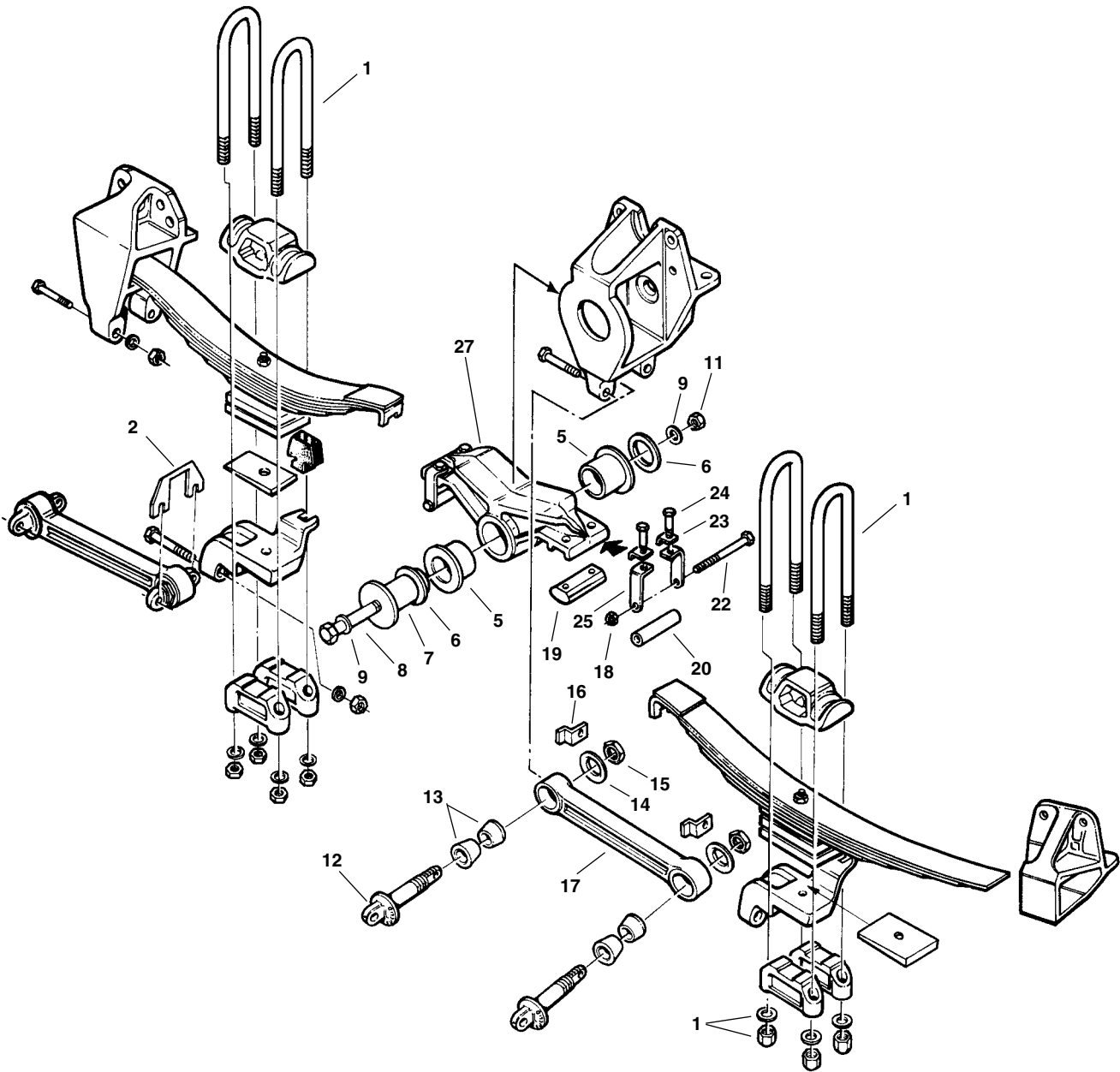


Alternate Threaded Pin

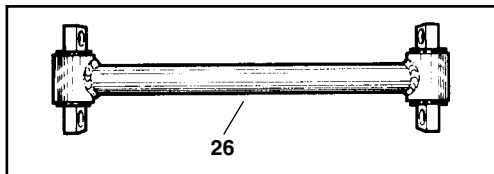
KEY NO.	MERITOR NO.	REPLACES FREIGHTLINER NO.	DESCRIPTION	QUANTITY PER AXLE	PAGE NO.
1	R301876	16-12399-001	Bronze Bushing, 1 1/2" OD x 1 1/4" ID x 4"	4 or 6	1-40
	R308799	16-12301-000	Spring Eye Bushing, Threaded 1 1/4"-7 OD x 1 1/2"	6	1-40
2	R308796	16-13470-000	Spring Pin, 1 1/4" OD x 6 7/8" OAL	6	1-40
3	R308800	16-12302-000	Spring Pin, Threaded	6	1-40
4	R308795	16-11890-000 (Aluminum)	Shackle Side Bar	4	1-41
		16-11890-001 (Steel)			
5	R308854	A16-12358-000	Rear Shackle Hanger-Bronze Bushing	2	1-41
	R308855	A16-12358-001	Rear Shackle Hanger-Threaded Bushing	2	1-41
6	R308797	16-01005-002	Bronze Bushing, 1 5/8" OD x 1 1/4" ID x 4"	2	1-40
7	R308798	16-12265-000	Shim	4	1-41
8	R30U8154-10	11-09363-110	U-Bolt Assembly, Rd. Bend 3/4"-16 Thd. x 4" Wide x 10" Long	4	2-25
	R30U8154-12		U-Bolt Assembly, Rd. Bend 3/4"-16 Thd. x 4" Wide x 12" Long	4	2-25
	R30U8164-10	11-09624-120	U-Bolt Assembly, Rd. Bend 7/8"-14 Thd. x 4" Wide x 10" Long	4	2-26
	R30U8164-12		U-Bolt Assembly, Rd. Bend 7/8"-14 Thd. x 4" Wide x 12 Long	4	2-26
9	85302	70042	Fleetline Shock, FLD112	2	3-10
	89420		GasSLX Shock, FLD112		
	85320	10-12302-000,1	Fleetline Shock , FLD112,120	2	3-10
	89429		GasSLX Shock, FLD112,120		

FREIGHTLINER FH34 SUSPENSION

Truck/Tractor



LIGHTWEIGHT STEEL TUBULAR ROD



Alternate for O.E.M. Rod

LEAF SPRING REFERENCES

SRI No.

A16-11820	3 Leaf
46-705	6/1 Leaf
46-901	6/2 Leaf
46-177	7/1 Leaf Interchangeable
46-897	7/1 Leaf Interchangeable
46-173	8 Leaf Interchangeable
46-179	8 Leaf Interchangeable
46-909	8 Leaf Interchangeable

FREIGHTLINER FH34 SUSPENSION PARTS

Truck/Tractor

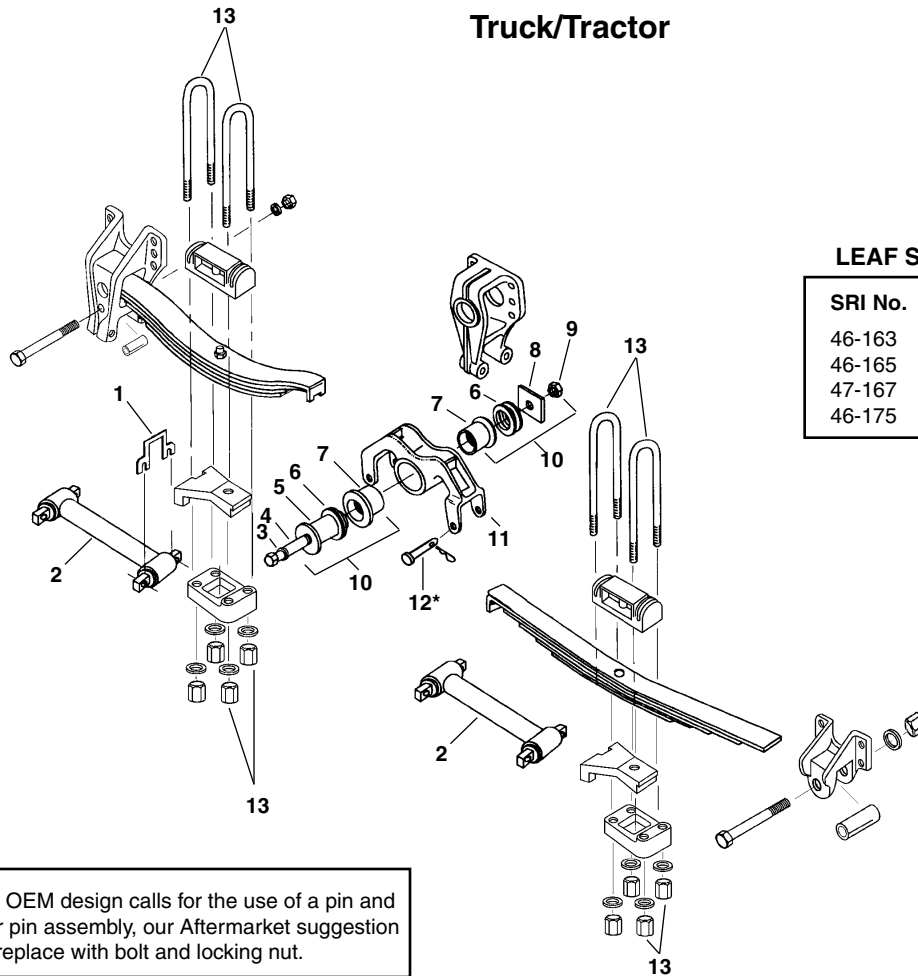
N/A = No Longer Available

KEY NO.	MERITOR NO.	REPLACES FREIGHTLINER NO.	DESCRIPTION	QUANTITY PER TANDEM	PAGE NO.
1	R30U8154-18	—	U-Bolt Assembly, Rd. Bend, 3/4"-16 Thd. x 4" Wide x 18" Long	8	2-25
2	R303790	11-9588-1	Torque Arm Shim	As Required	1-43
3	N/A	11-7007-4	Axle Shim, 4°	As Required	1-43
4	N/A	11-7007-2	Axle Shim, 2°	As Required	1-43
—	R303538	—	Equalizer Bushing Assembly Includes Key Nos. 5, 6, 7, 8, 9, 10, 11	2	1-42
5	R303540A	A16-10549	Poly Equalizer Bushing	4	1-42
6	R303541	A16-10177	Washer	4	2-35
7	R303539	A16-10550	Cap & Tube Assembly	2	1-42
8	R303542	23-10757-900	Bolt	2	2-32
9	R302545	23-9114-4	Washer	4	2-35
—	R303294	—	Torque Arm Bushing Assembly Includes Key Nos. 12, 13, 14, 15, 16	8	1-43
11	R004961A	23-461-6	Nut	2	2-34
12	R303295	R16-9848	Torque Arm Pin	8	1-43
13	R303296	R16-11351	Poly Torque Arm Bushing	16	2-52
14	R303297	16-10431-C	Washer	16	1-43
15	R303298	16-10429	Nut	8	2-34
16	R303299	16-10429	Tab Lock	8	1-43
17	R303546	16-9864-J	Rigid Torque Arm, Steel, Cast, 18 3/16" Center-to-Center	4	1-42
	R308941	16-13053	Rigid Torque Arm, Steel, Cast, 16 5/8" Center-to-Center		
—	R303561A	—	Equalizer Bracket Kit Includes Key Nos. 18-25	4	1-43
18	R303560	23-9900-208	Lock Nut	4	2-34
19	R303557	16-9895	Wear Pad	4	1-43
20	R303558	16-9943	Spacer	4	1-43
22	R302022	23-10751-550	Bolt	4	1-43
23	R303556	16-10414	Bolt Lock	8	1-43
24	R303555	23-9441-175	Cap Screw	8	1-43
25	R303677	16-09893	Restraint Bracket	8	1-43
26	R303546	B16-10420-1	Rigid Torque Arm, Steel, Tubular	4	1-42
	R308941	16-13053	Rigid Torque Arm, Steel, Cast, 16 5/8" Center-to-Center	4	1-42
	R309869	16-13054-000	Rigid Torque Arm, 16 5/8" Center-to-Center	4	1-42
27	R303917A	16-10175-0	Equalizer, Cast Steel	2	1-42
		16-10175-1			
	R303917	681-325-04-27	Equalizer Assembly Includes Key Nos. 18, 19, 20, 22, 23, 24, 25	2	1-42

1

FREIGHTLINER FH34A LEAF SPRING SUSPENSION

Truck/Tractor



LEAF SPRING REFERENCES

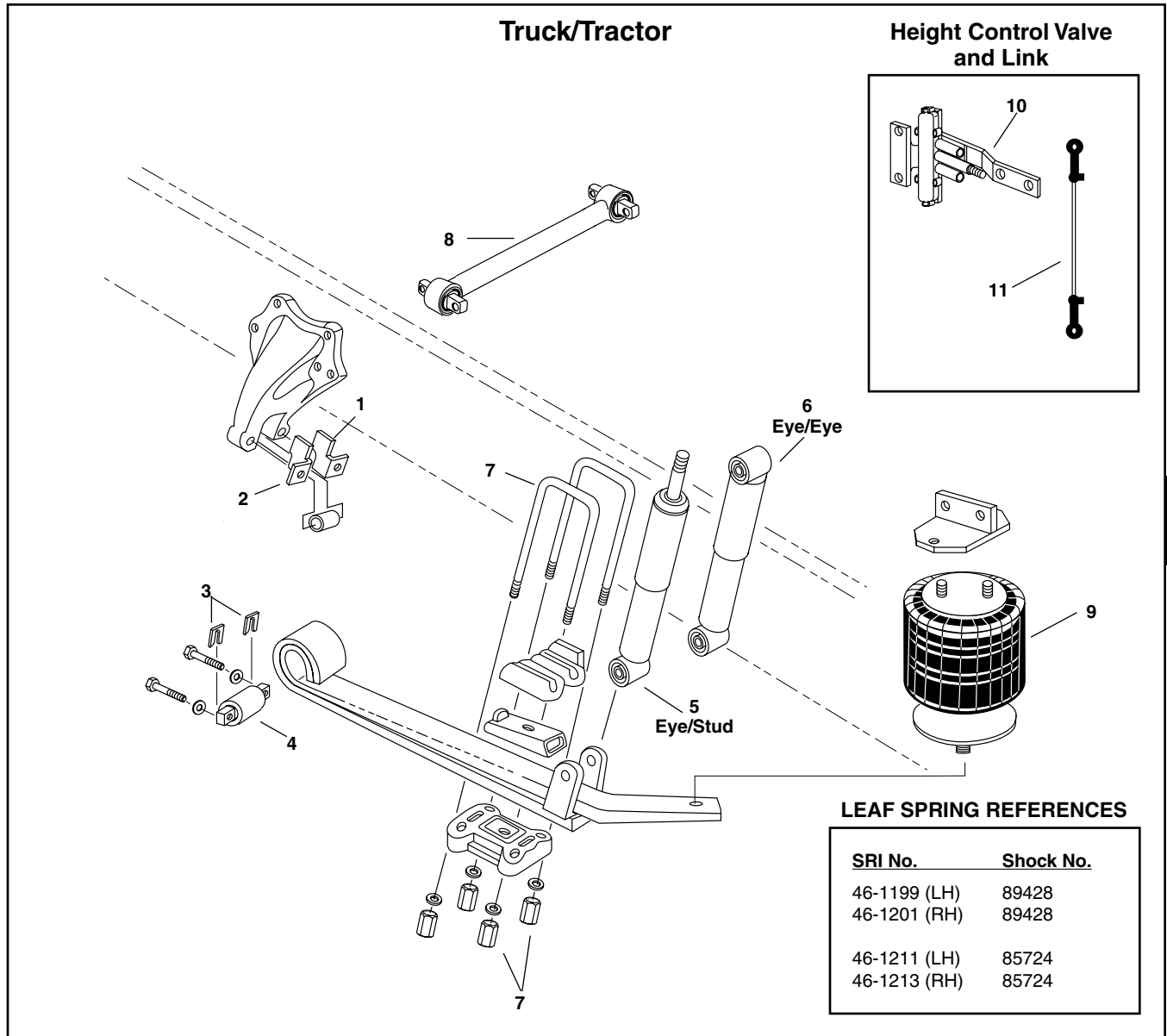
SRI No.

46-163	3 Leaf, 36K#
46-165	3 Leaf, 40K#
47-167	7 Leaf, 36K#
46-175	8 Leaf, 40K#

* The OEM design calls for the use of a pin and cotter pin assembly, our Aftermarket suggestion is to replace with bolt and locking nut.

KEY NO.	MERITOR NO.	REPLACES FREIGHTLINER NO.	DESCRIPTION	QUANTITY PER TANDEM	PAGE NO.
1	R303790	11-9588-1	Torque Arm Shim	As Required	1-43
2	R308941	16-13053-000	Rigid Torque Arm, 1 9/16" Tube Diameter	4	1-42
	R309869	16-13054-000	Heavy-Duty Torque Arm; 1 15/16" Tube Diameter	4	1-42
3	R302545	29-9114-4	Washer	8	2-35
4	R307703	23-9447-900	Bolt	2	2-33
5	R307702	A16-12591-000	Cap & Tube Assembly	2	1-44
6	R303541	A16-10177	Washer	4	2-35
7	R307701	16-13568-000	Poly Equalizer Bushing	4	1-44
8	R307704	16-12590-000	Retainer Plate	2	1-44
9	R004961A	23-11480-144	Lock Nut	4	2-34
10	R307706	—	Equalizer Bushing Assembly Includes Key Nos. 3, 4, 5, 6, 7, 8, 9	2	1-44
11	R307700	681-325-01-27	Equalizer	2	1-44
12	R303794	681-325-0174	Rebound Pin	1	1-41
13	R30U8162-18	681-322-01-25 681-322-09-25 681-322-12-25	U-Bolt Assembly, Rd. Bend, 7/8"-14 Thd. x 3 1/8" Wide x 18" Long	8	2-26
	R30U8162-22	681-322-03-25 681-322-13-25	U-Bolt Assembly, Rd. Bend, 7/8"-14 Thd. x 3 1/8" Wide x 22" Long		

FREIGHTLINER FAS II AIR RIDE SUSPENSION



1

KEY NO.	MERITOR NO.	REPLACES FREIGHTLINER NO.	DESCRIPTION	QUANTITY PER AXLE	PAGE NO.
1	R308803	681-325-22-09	Hanger Wear Pad, Right Hand	2	1-46
2	R308802	681-325-21-09	Hanger Wear Pad, Left Hand	2	1-46
3	R308805	681-328-13-84	Alignment Shim, 1/8"	As Required	1-46
	R308806	681-328-21-84	Alignment Shim, 1/16"	As Required	1-46
	R308809	681-328-16-84	Alignment Shim, 1/16" Thick x 4 3/8" L.	As Required	1-46
	R308810	681-328-19-84	Alignment Shim, 1/8" Thick x 4 3/8" L.	As Required	1-46
4	R308804	681-325-01-50	Spring Eye Bushing	2	1-46
5	85319	681-326-04-00	Fleetline Shock, FLC112	2	3-16
	89428	681-326-04-00	GasSLX Shock, FLC112		
6	85724	16-13957-000	Fleetline Shock, FLC112	2	3-27
7	R30U8267-153	681-325-03-25	U-Bolt Assembly, Sq. Bend, 7/8"-14 Thd. x 5 3/16" W. x15 3/8" L.	4	2-28
8	R308808	681-326-63-16	Rigid Torque Arm	2	1-46
9	FS9780	681-320-00-17	Air Spring	2	—
10	R304323	—	Height Control Valve	1	1-46
11	R307852	1317	Leveling Valve Link Kit	1	1-46

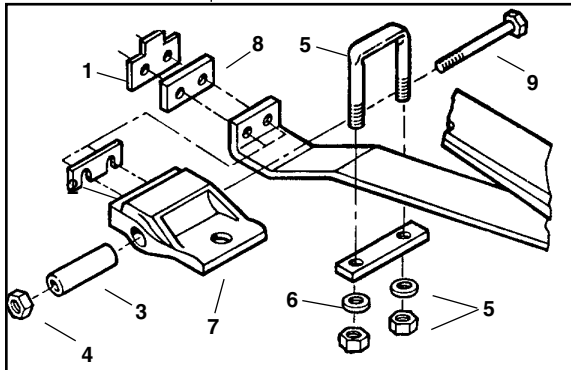
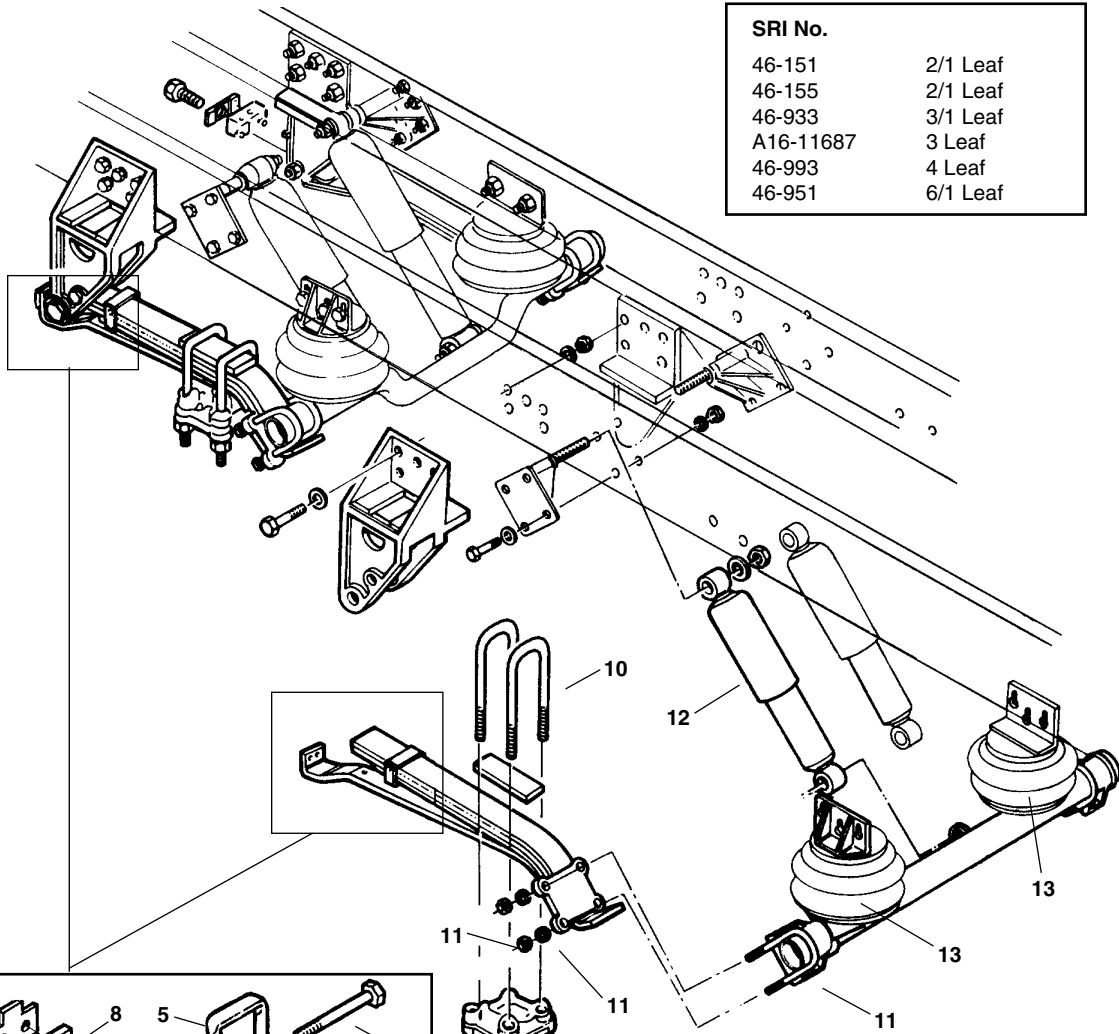
FREIGHTLINER FAS I AIR RIDE SUSPENSION

Truck/Tractor

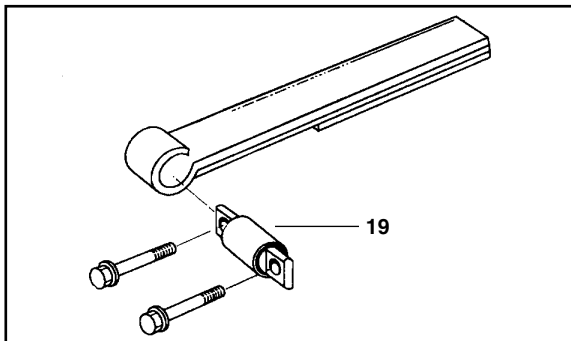
LEAF SPRING REFERENCES

SRI No.

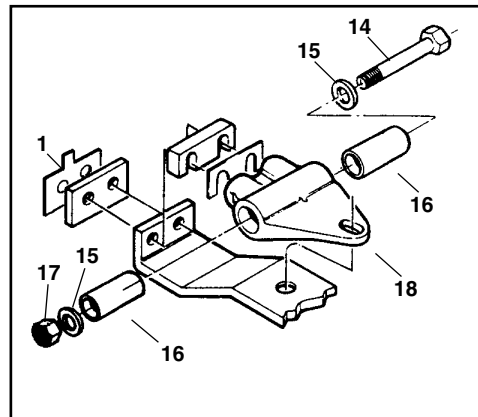
46-151	2/1 Leaf
46-155	2/1 Leaf
46-933	3/1 Leaf
A16-11687	3 Leaf
46-993	4 Leaf
46-951	6/1 Leaf



Late Model



Late Model



Early Model

FREIGHTLINER FAS I AIR RIDE SUSPENSION PARTS

Truck/Tractor

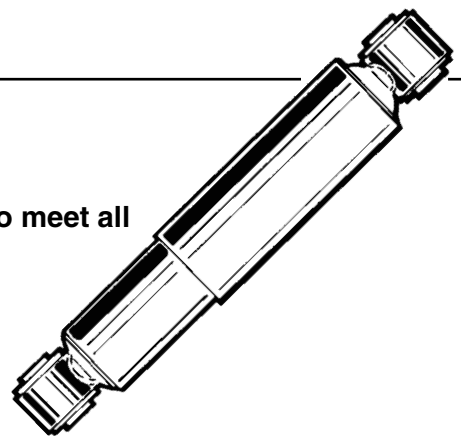
KEY NO.	MERITOR NO.	REPLACES FREIGHTLINER NO.	DESCRIPTION	QUANTITY PER AXLE	PAGE NO.
1	R303568	16-10790-1	Shim Lock	4	1-45
2	R303567	16-10790	Shim	As Required	1-45
3	R303817	IPC236840	Spring Eye Bushing	4	1-44
4	R301835	23-09598-14	Nut	4	2-34
5	R30U8554-033	16-11934	U-Bolt Assembly, Flat Sq. Bend, 3/4"-16 Thd. x 4" Wide x 3 3/8" Long	4	1-45
6	R303819	16-11935	U-Bolt Bottom Pad	4	1-45
7	R303816	A16-12314-000	Spring Hanger Bracket	4	1-45
8	R303821A	16-11941-002	Spacer Block	4	1-45
9	R303818	A6-11908-01	Spring Eye Bolt	4	2-33
10	R30U8164-16	11-09624-160	U-Bolt Assembly, Rd. Bend, 7/8"-14 Thd. x 4" Wide x 16" Long	4	2-26
11	R30U8143-074	16-10794	U-Bolt Assembly, Rd. Bend, 5/8"-18 Thd. x 3 1/2" Wide x 7 1/2" Long	4	2-25
12	85007	16-11133	Fleetline Shock	2	3-10
		16-12117-000			
	89412	16-12117-000	GasSLX Shock		
		665236			
13	FS7410	16-11378	Air Spring	2	—
	FS7400	16-10796			—
—	R303562	—	Spring Hanger Bracket Bushing Assembly, Early Model Includes Key Nos. 14, 15, 16, 17	4	1-44
14	R303564	16-10782	Bolt	4	2-33
15	R303565	16-10784	Washer	8	2-35
16	R303563	16-11376-0	Spring Hanger Bushing	8	1-44
17	R301828	23-9901-216	Nut	4	2-34
18	R303569	16-10795	Spring Hanger Bracket	2	1-45
19	R309874	HRI-HBUS41	Torque Leaf Bushing	2	1-46

1

Don't Forget!!

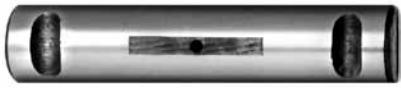
Meritor offers a comprehensive Shock Absorber line to meet all your Heavy, Medium and Light-Duty truck needs.

Refer to Gabriel Commercial Ride Control Products Catalog (754) for complete Shock Absorber offering.



FREIGHTLINER FRONT SUSPENSION PARTS

SPRING PIN



MERITOR NO.	REPLACES	POSITION	O.D.	O.A.L.
R303530	Freightliner 16-10510	Rear	1 1/4"	5 3/4"
R303531	Freightliner 16-10509	Front	1 1/4"	6 3/8"

SPRING PIN BUSHING Bronze



MERITOR NO.	REPLACES	O.D.	I.D.	O.A.L.
R303533	Freightliner 16-1005-000	1 1/2"	1 1/4"	3 1/2"
R308797	Freightliner 16-01005-002	1 5/8"	1 1/4"	4"

SPRING PIN



MERITOR NO.	REPLACES	O.D.	O.A.L.
R308796	Freightliner 16-13470-000 (New) 16-12373-000 (Old)	1 1/4"	6 7/8"

ALUMINUM SPRING HANGER



MERITOR NO.	REPLACES	FOR MODEL	INCLUDES
R303536	Freightliner 16-9906 16-1003-1	Front Suspensions with 3 1/2" Springs	Non-Threaded R303533 Bushing

SPRING PIN



MERITOR NO.	REPLACES	THD.	O.D.	O.A.L.
R303532	Freightliner 16-9597	1 1/4"-8	1 1/4"	6 1/8"

SPRING PIN BUSHING Threaded



MERITOR NO.	REPLACES	THD.	O.D.	O.A.L.
R303534	Freightliner 16-9926	1 1/4"-8	1 1/2"	3 1/2"
R308799	Freightliner 16-12301-000	1 1/4"-7	1 1/2"	4"

SPRING PIN Threaded



MERITOR NO.	REPLACES	THD.	O.D.	O.A.L.
R308800	Freightliner 16-12302-000	1 1/4"-7	1 1/4"	7 1/8"

SPRING EYE BUSHING ASSEMBLY



MERITOR NO.	REPLACES	O.D.	I.D.	LGTH.
R301876	Freightliner 16-12399-001	1 1/2"	1 1/4"	3 15/16"

FREIGHTLINER FRONT SUSPENSION PARTS

FRONT HANGER



MERITOR NO.	REPLACES	APPLICATION & GENERAL INFORMATION
R308854 (Shown)	Freightliner A16-12358-000	Includes R308797 Bushing (Non-Threaded)
R308855	Freightliner A16-12358-001	Includes R308799 Bushing (Threaded)

SHIM



MERITOR NO.	REPLACES	I.D.	THICK
R308798	Freightliner 16-12265-000	1 1/4"	1/8"

RETAINER PIN ASSEMBLY



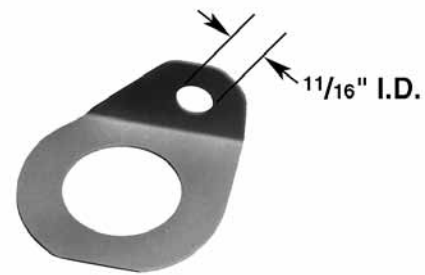
MERITOR NO.	REPLACES	INCLUDES
R303794	Freightliner 681-325-0174	4 - Bolts, 5/8" x 4 7/8" Long 4 - Lock nuts

STEEL SPRING SHACKLE



MERITOR NO.	REPLACES	O.A.L.	THICK	WIDTH
R308795	Freightliner 16-11890-001 (Steel) 16-11890-000 (Aluminum)	7 5/8"	1"	2"

SHIM



MERITOR NO.	REPLACES	I.D.	THICKNESS
R303537A	Freightliner 16-9040-2	1 3/8"	1/16"

FREIGHTLINER FH34 SUSPENSION PARTS

CAST STEEL EQUALIZER



Bushings Not Included

MERITOR NO.	REPLACES	FOR MODEL
R303917A	Freightliner 16-10175-0 Aluminum Freightliner 16-10175-1 Cast Steel	FH 34 4-Spring Suspension

EQUALIZER BUSHING ASSEMBLY



With Poly

MERITOR NO.	REPLACES	QTY.	MERITOR NO.	DESCRIPTION
R303538	16-9943	1	R303539	Cap & Tube Assembly
		2	R303540A	Bushing
		2	R303541	Washer
		1	R303542	Bolt
		1	R303543	Washer
		1	R302545	Washer
		1	R004961A	Nut

EQUALIZER BUSHING



MERITOR NO.	REPLACES	O.D.	I.D.	O.A.L.
R303540A (Poly)	Freightliner A16-10549	2 3/4"	2 1/4"	2 3/8"

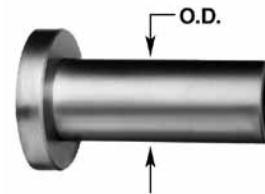
EQUALIZER ASSEMBLY



Bushings Not Included

MERITOR NO.	REPLACES	QTY.	MERITOR NO.	DESCRIPTION
R303917	Freightliner B16-02440-5 For FH34 4 Spring Suspension	1	R303917A	Equalizer
		4	R303555	Screw
		4	R303556	Bolt Lock
		2	R303557	Wear Shoe
		2	—	Spacer
		2	R302022	Bolt
		4	R303560 R303677	Nut Bracket

CAP AND TUBE ASSEMBLY



MERITOR NO.	REPLACES	O.D.	I.D.	O.A.L.
R303539	Freightliner A16-10550	2 1/4"	1 5/8"	6 9/16"

RIGID TORQUE ARM

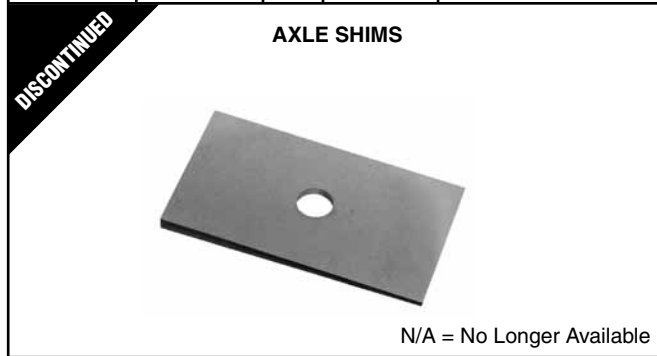


MERITOR NO.	REPLACES	O.D.	CENTER-TO-CENTER
R303546	Freightliner B16-10420-1	1 9/16"	18 3/16"
R308941	Freightliner 16-13053	1 9/16"	16 5/8"
R309869	Freightliner 16-13054-000	1 15/16"	16 5/8"

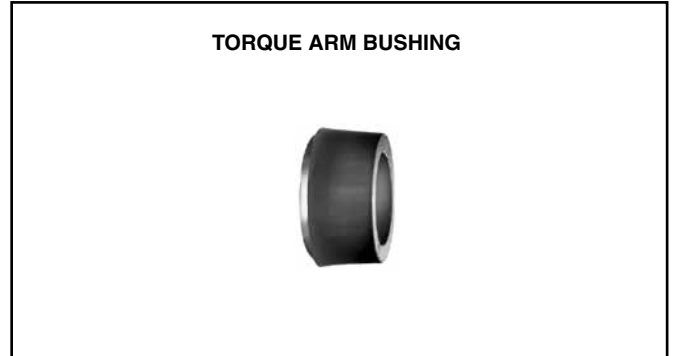
FREIGHTLINER FH34 SUSPENSION PARTS



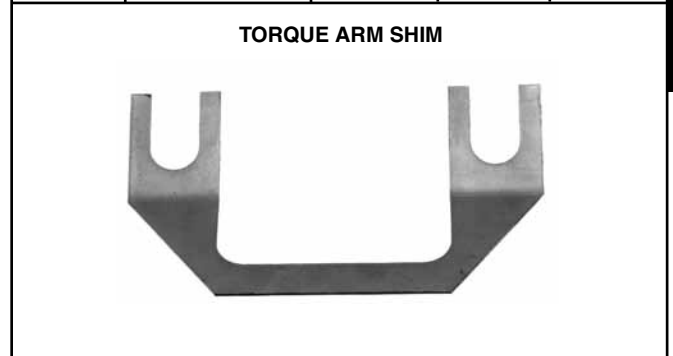
MERITOR NO.	REPLACES	QTY.	MERITOR NO.	DESCRIPTION
R303294	—	1	R303295	Torque Arm Pin
		2	R303296	Bushing
		1	R303297	Washer
		1	R303298	Nut
		1	R303299	Nut Lock



MERITOR NO.	REPLACES	WIDTH	O.A.L.	DEGREE
N/A	Freightliner 11-7007-4	4"	6 7/8"	4°
N/A	Freightliner 11-7007-2	4"	6 7/8"	2°

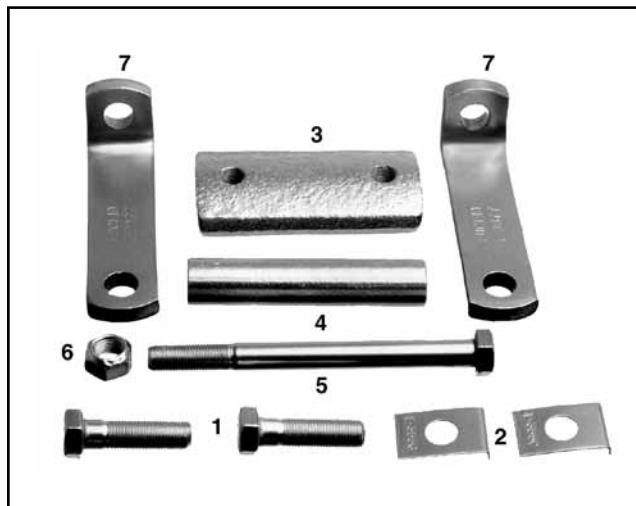


MERITOR NO.	REPLACES	O.D.	I.D.	O.A.L.
R303296 (Poly)	Freightliner R16-11351	Taper	1 3/8"	1 3/16"



MERITOR NO.	REPLACES	WIDTH	O.A.L.	THICK
R303790	Freightliner 11-9588-1	—	5 3/4"	1/16"

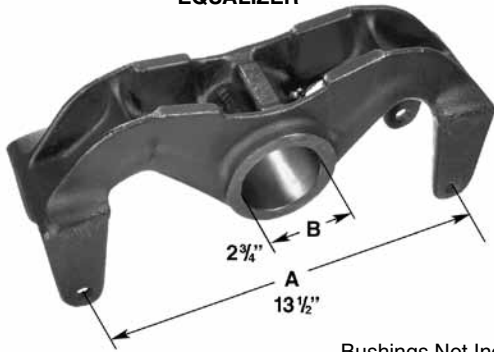
EQUALIZER BRACKET KIT



MERITOR KIT R303561A FOR MODEL FH34				
ITEM	QTY.	MERITOR NO.	REPLACES FREIGHTLINER NO.	DESCRIPTION
1	2	R303555	23-9441-175	Cap Screw 1/2"-20 x 1 3/4" Lg.
2	2	R303556	16-10414	Bolt Lock
3	1	R303557	16-9895	Wear Pad
4	1	R303558	16-9943	Spacer 4 1/8" Lg.
5	1	R302022	23-10751-550	Bolt 1/2"-20 x 3/4" Hex
6	1	R303560	23-9900-208	Nut (Self-Lock) 1/2" -20 x 3/4" Hex
7	2	R303677	16-09893	Restraint Bracket

FREIGHTLINER FH34A LEAF SPRING SUSPENSION PARTS

EQUALIZER



Bushings Not Included

MERITOR NO.	REPLACES	A	B	INSIDE WIDTH
R307700	Freightliner 681 325 01 27	13 1/2"	2 3/4"	3 7/16"

EQUALIZER BUSHING



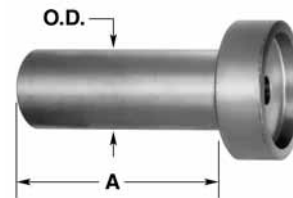
MERITOR NO.	REPLACES	O.D.		I.D.		O.A.L.
		Sm.	Lg.	Sm.	Lg.	
R307701 (Poly)	Freightliner 16-13568-000	2 49/64"	3 3/4"	2 1/4"	2 9/32"	2 9/32"

EQUALIZER BUSHING ASSEMBLY



MERITOR NO.	QTY.	MERITOR NO.	DESCRIPTION
R307706	2	R307701	Equalizer Bushing
	1	R307702	Cap & Tube Assembly
	1	R307703	Equalizer Bolt
	1	R307704	Retainer Plate
	1	R302545	Washer
	2	R303541	Wear Washer
	1	R004961A	Nut

CAP & TUBE ASSEMBLY



MERITOR NO.	REPLACES	O.D.	I.D.	O.A.L.	A
R307702	Freightliner A16-12591-000	2 1/4"	1 5/8"	7"	5 3/4"

FREIGHTLINER AIR RIDE SUSPENSION PARTS

SPRING HANGER BRACKET BUSHING ASSEMBLY
Early Model



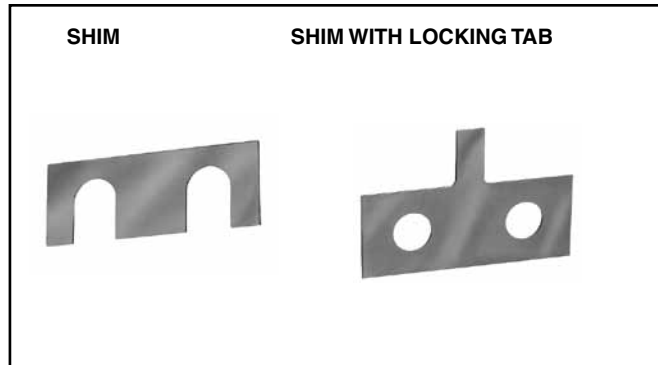
MERITOR NO.	REPLACES	QTY.	MERITOR NO.	DESCRIPTION
R303562	—	2	R303563	Bushing
		1	R303564	Bolt
		2	R303565	Washer
		1	R301828	Nut

SPRING HANGER BUSHING



MERITOR NO.	REPLACES	O.D.	I.D.	O.A.L.
R303563 (Early Model)	Freightliner 16-11376-0	1 5/8"	1 1/16"	3 3/16"
R303817 (Late Model)	IPC236840	1 3/4"	7/8"	4"

FREIGHTLINER AIR RIDE SUSPENSION PARTS



MERITOR NO.	DESCRIPTION	REPLACES	O.A.L.	THICK-NESS
R303567	Shim	Freightliner 16-10790	3 3/4"	1/16"
R303568	Shim with Locking Tab	Freightliner 16-10790-1	3 3/4"	1/16"



Thread Size 5/8"-11

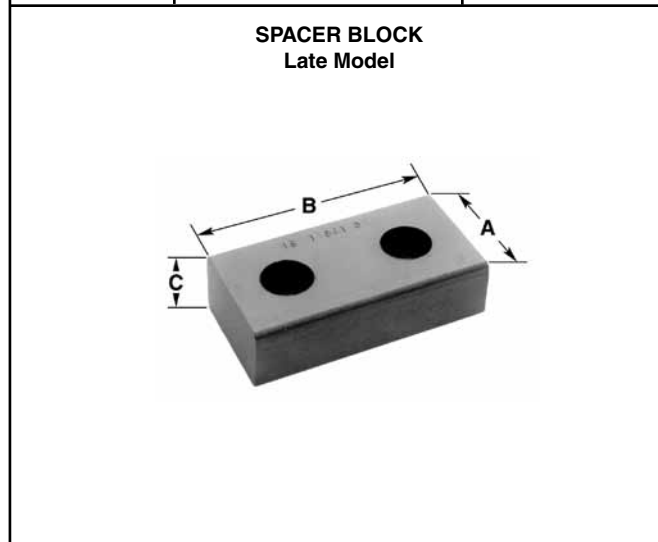
MERITOR NO.	REPLACES	I.D.	O.A.L.
R303569	Freightliner 16-10795	1 5/8"	7 1/8"



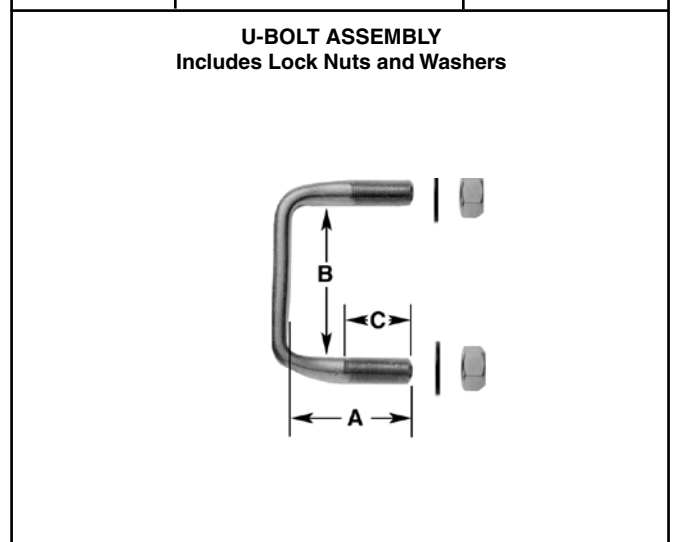
MERITOR NO.	REPLACES	MODEL
R303816	Freightliner A16-12314-000	Air Ride



MERITOR NO.	REPLACES	MODEL
R303819	Freightliner 16-11935	Air Ride



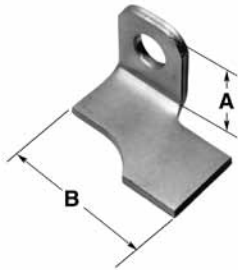
MERITOR NO.	REPLACES	A	B	C
R303821A	Freightliner 16-11941-002	2"	3 7/8"	1"



MERITOR NO.	REPLACES	THREAD	A	B	C
R30U8554-033	Freightliner 16-11934	3/4"-16	3 3/8"	4"	1 3/4"

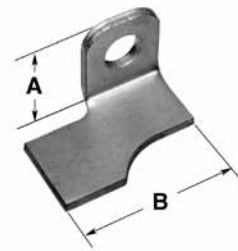
FREIGHTLINER FAS AIR RIDE SUSPENSION PARTS

FRONT HANGER WEAR PAD - Left Hand



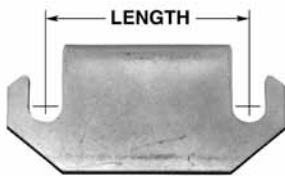
MERITOR NO.	REPLACES	FOR MODEL	HOLE SIZE	A	B
R308802	Freightliner 681-325-21-09	FAS Air Ride	13/16"	2 1/8"	3 5/16"

FRONT HANGER WEAR PAD - Right Hand



MERITOR NO.	REPLACES	FOR MODEL	HOLE SIZE	A	B
R308803	Freightliner 681-325-22-09	FAS Air Ride	13/16"	2 1/8"	3 5/16"

TORQUE ARM SHIM



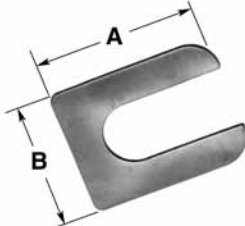
MERITOR NO.	REPLACES	FOR MODEL	HOLE DIA.	THICK-NESS	LENGTH
R308809	Freightliner 681-328-16-84	FAS Air Ride	45/64"	1/16"	4 3/8"
R308810	Freightliner 681-328-19-84			1/8"	

RIGID TORQUE ARM



MERITOR NO.	REPLACES	FOR MODEL	LENGTH Center-to-Center
R308808	Freightliner 681-326-63-16	FAS Air Ride	23"

ALIGNMENT SHIM



MERITOR NO.	REPLACES	FOR MODEL	THICK-NESS	A	B
R308805	Freightliner 681-328-13-84	FAS Air Ride	1/8"	2 1/8"	1 5/8"
R308806	Freightliner 681-328-21-84	FAS Air Ride	1/16"	2 1/8"	1 5/8"

HEIGHT CONTROL VALVE



MERITOR NO.	REPLACES	FOR MODEL	GENERAL INFORMATION
R304323	Neway 900 54 007	FAS Air Ride	Use leveling valve link assembly R307852

LEVELING VALVE LINK KIT



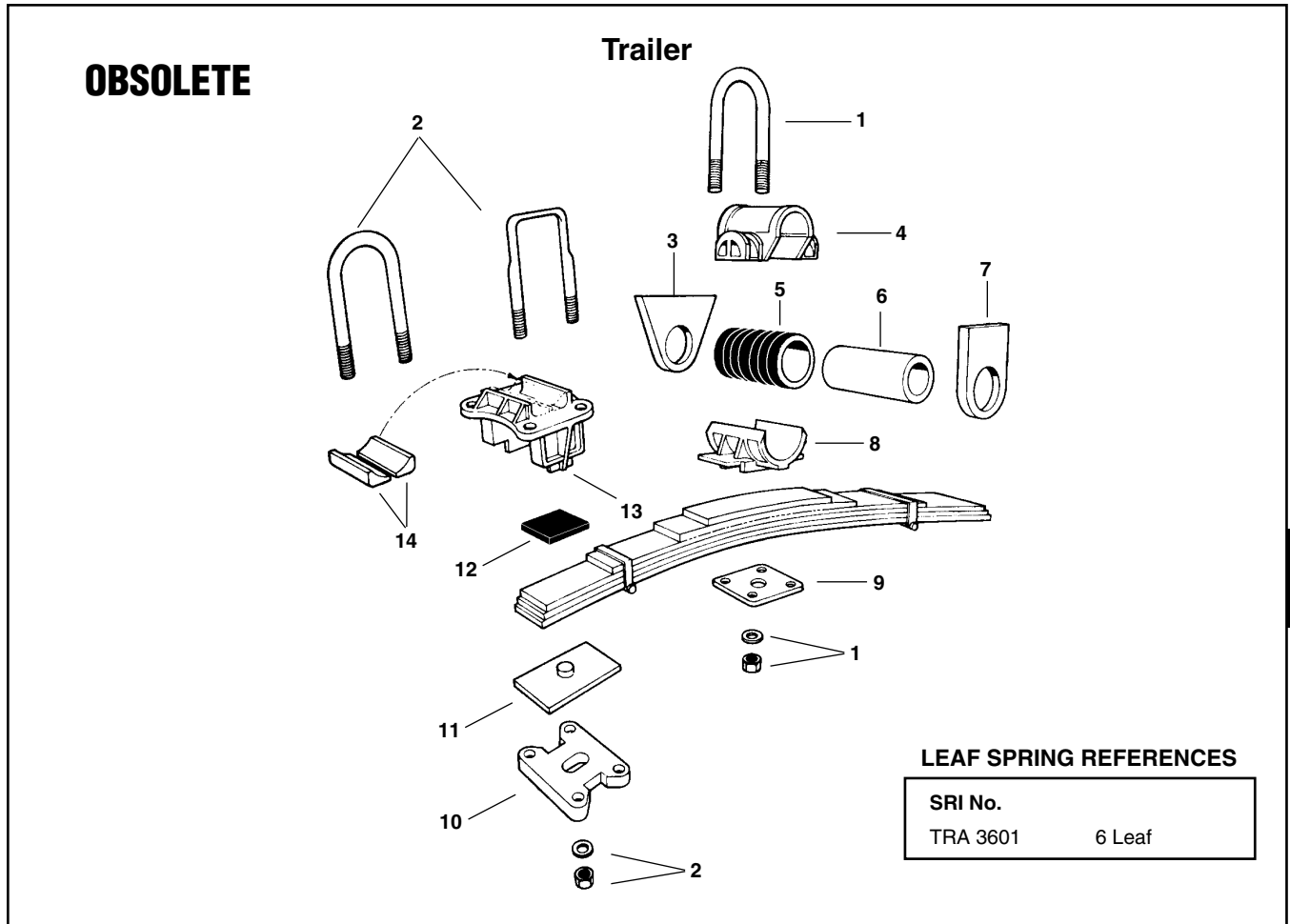
MERITOR NO.	REPLACES	FOR MODEL	RANGE
R307852	Freightliner 1317 Neway SRK 168	FAS Air Ride	Use for applications requiring vertical mounting only.

SPRING EYE BUSHING



MERITOR NO.	REPLACES	FOR MODEL	O.D.	HOLE DIA.	C.T.C.	THICK-NESS
R308804	Freightliner 681-325-01-50	FAS Air Ride	2 1/2"	3/4"	5 21/32"	29/32"
R309874	Freightliner HRI-HBUS41	Air Ride	1 3/4"	5/8"	5 3/8"	29/32"

FRUEHAUF D2 SUSPENSION



FRUEHAUF D2 SUSPENSION PARTS

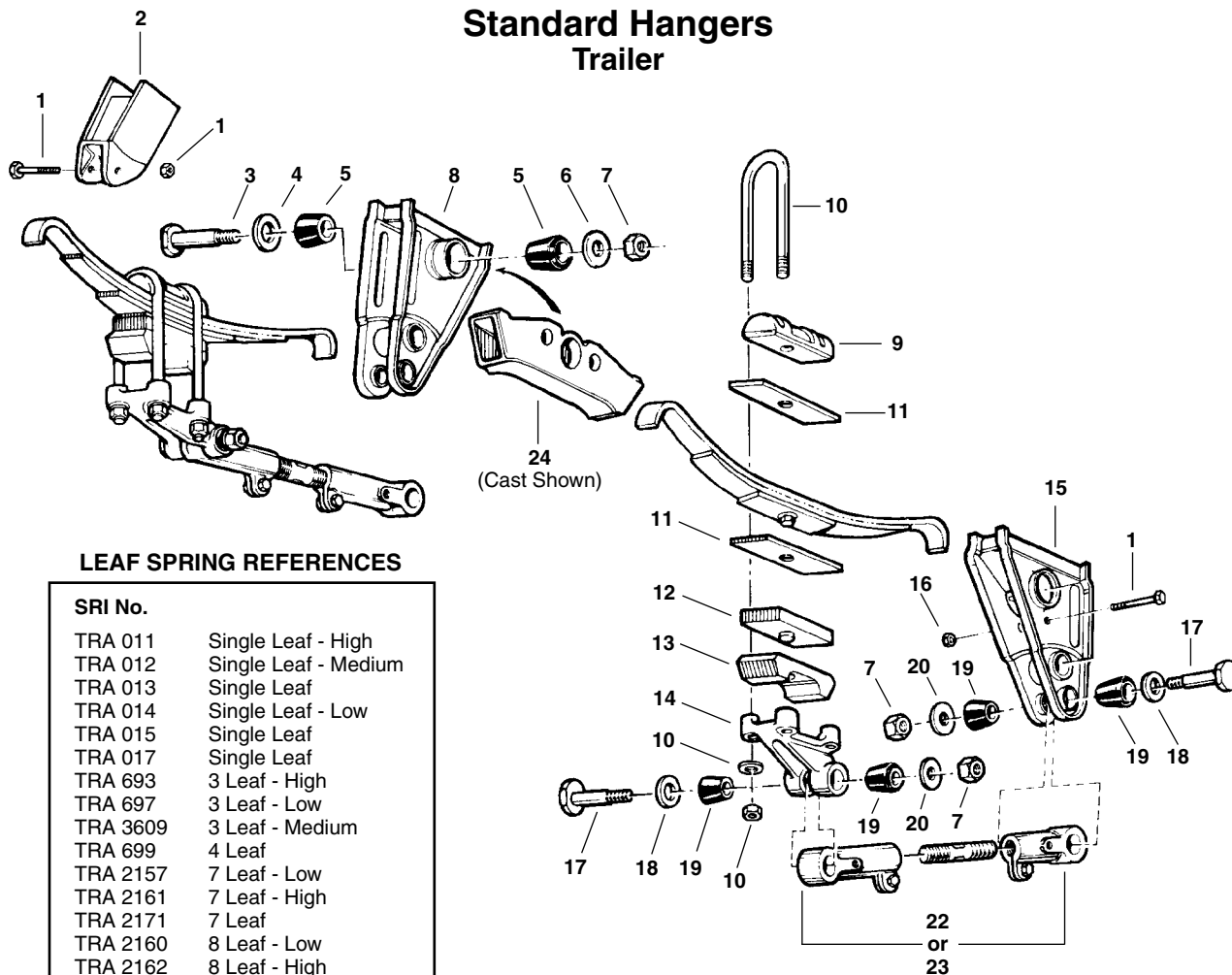
N/A = Part no longer available

Trailer

KEY NO.	MERITOR NO.	REPLACES FRUEHAUF NO.	DESCRIPTION	QUANTITY PER TANDEM	PAGE NO.
1	R30U8178-126	BXE-000440	U-Bolt Assembly, Rd. Bend, 1"-14 Thd. x 5" Wide x 12 3/4" Long	4	2-26
2	R30U8178-126	BXE-000440-900	U-Bolt Assembly, Rd. Bend, 1"-14 Thd. x 5" Wide x 12 3/4" Long	8	2-26
	R30U8575-126	BXE-000460-900	U-Bolt Assembly, Flat Sq. Bend, 1"-14 Thd. x 5" Wide x 12 3/4" Long	8	2-30
3	N/A	UXA-000159	Inner Trunnion End Plate	2	—
4	N/A	UXA-000166	Upper Trunnion Casting	2	—
5	R303579 (Rubber)	UXA-000160	Trunnion Bushing	2	1-71
	R308663 (Poly)	UXA-000160-SPX			
6	N/A	UXA-000156	Spring Seat Shaft	2	—
7	N/A	UXA-000158	Outer Trunnion End Plate	2	—
8	N/A	UXA-000167	Lower Trunnion Casting	2	—
9	N/A	UXA-000163	U-Bolt Plate	2	—
10	N/A	UCC-006534-001	Axle Bracket Plate	4	—
11	R303581	UCE-001350-001	Plate Assembly	4	1-71
12	R303582	UCD-005635-001	Rubber Pad	4	1-71
13	N/A	UCC-006533-001	Axle Bracket, 5" Square Axle	4	—
	N/A	UCC-007846-001	Axle Bracket, 5" Round Axle	4	—
		UCC-006553-001			
14	N/A	UCC-007845-001	Axle Adapter, 5" Round Axle4	As Required	—

FRUEHAUF F-2 SUSPENSION

Standard Hangers Trailer



LEAF SPRING REFERENCES

SRI No.

TRA 011	Single Leaf - High
TRA 012	Single Leaf - Medium
TRA 013	Single Leaf
TRA 014	Single Leaf - Low
TRA 015	Single Leaf
TRA 017	Single Leaf
TRA 693	3 Leaf - High
TRA 697	3 Leaf - Low
TRA 3609	3 Leaf - Medium
TRA 699	4 Leaf
TRA 2157	7 Leaf - Low
TRA 2161	7 Leaf - High
TRA 2171	7 Leaf
TRA 2160	8 Leaf - Low
TRA 2162	8 Leaf - High
TRA 696	9 Leaf - Low

FRUEHAUF F-2 SUSPENSION PARTS

Standard Hangers Trailer

KEY NO.	MERITOR NO.	REPLACES FRUEHAUF NO.	DESCRIPTION	QUANTITY PER TANDEM	PAGE NO.
1	R302829	UXA-000020-001 FSP-005-03-012 FSP-006-02-PK6	Spacer Assembly	2	1-70
2	R302828	UCF-002470-001	Rear Hanger, Under Mount	2	1-70
	S.O.S.	UCF-002471-001	Rear Hanger, Straddle Mount	2	—
	S.O.S.	UXA-00065	Rear Hanger, Cast Left Hand	1	—
	S.O.S.	UXA-00065-001	Rear Hanger, Cast Right Hand	1	—
—	R301024 (Rubber) R309361 (Poly)	UXA-000004-900	Equalizer Bushing Assembly Includes Key Nos. 3, 4, 5, 6, 7	2	1-66
3	R301019	UXA-000015-001	Equalizer Bolt (Solid)	2	1-66
4	R302832	UXA-000356-002	Outer Washer	2	2-35

FRUEHAUF F-2 SUSPENSION PARTS

Standard Hangers

Trailer

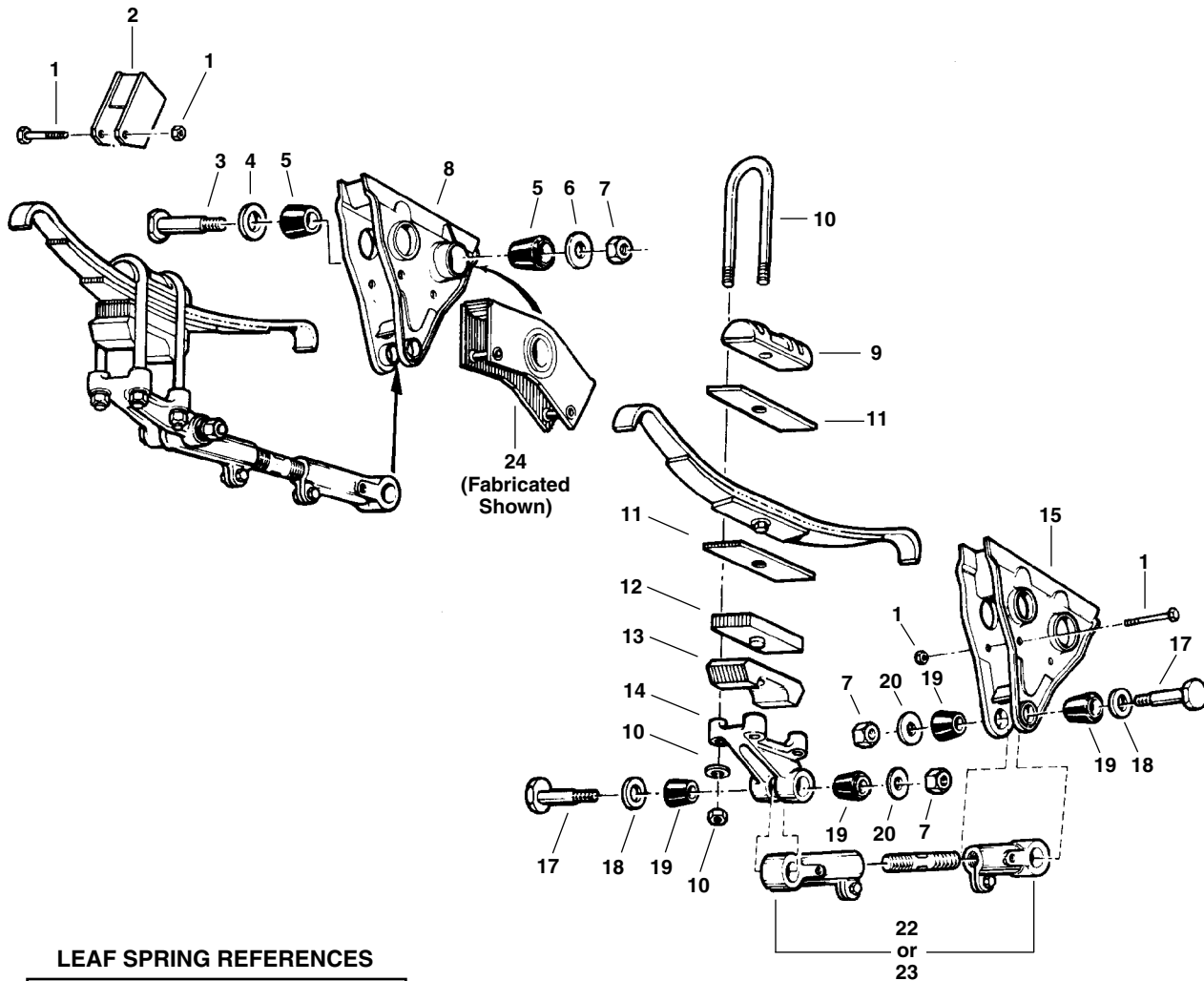
N/A = Part no longer available

KEY NO.	MERITOR NO.	REPLACES FRUEHAUF NO.	DESCRIPTION	QUANTITY PER TANDEM	PAGE NO.
5	R301020 (Rubber)	UXA-000004	Equalizer Bushing	4	1-66
	R307432 (Poly)				
6	R301021	UXA-000003	Compression Washer	2	2-35
7	R30937	FSP-006-02-PK9	Equalizer Nut	10	2-34
8	R302827	UXA-000034	Equalizer Hanger, Under Mount, Center	2	1-70
	S.O.S.	UXA-000021	Equalizer Hanger, Straddle Mount	2	—
	N/A	UXA-000067	Equalizer Hanger, Cast, Left Hand	1	—
	N/A	UXA-000067-001	Equalizer Hanger, Cast, Right Hand	1	—
9	R302839	UCC-005998-001	Spring Saddle, Single Leaf Springs	4	1-68
	R302840	UCE-008801-001 (New) UCD-007601-007 (Old)	Spring Saddle, Multi-Leaf Springs		
10	R30U8161-10	UXA-000046-915	U-Bolt Assembly, Rd. Bend, 7/8"-14 Thd. x 3" Wide x 10" Long	8	2-25
	R30U8161-12	UXA-000046-916	U-Bolt Assembly, Rd. Bend, 7/8"-14 Thd. x 3" Wide x 12" Long		
	R30U8161-16	UXA-000046-917	U-Bolt Assembly, Rd. Bend, 7/8"-14 Thd. x 3" Wide x 16" Long		
	R30U8161-18	UXA-000046-918	U-Bolt Assembly, Rd. Bend, 7/8"-14 Thd. x 3" Wide x 18" Long		
11	R302842	UCE-006632-002 UCE-006632-001	Delrin Liner Top Pad, with Hole	8	1-68
12	R302838	UXA-000048	Spring Spacer	4	1-68
13	R302837	AXA-000512-001	Spring Seat	4	1-68
14	R302836	AXA-000495-001	Axle Bracket	4	1-68
15	R302826	UCF-002467-001	Front Hanger, Under Mount	2	1-70
	S.O.S.	UCF-002473-001	Front Hanger, Straddle Mount	2	—
	S.O.S.	UXA-000066	Front Hanger, Cast, Left Hand	1	—
	S.O.S.	UXA-000066-001	Front Hanger, Cast, Right Hand	1	—
—	R301023 (Rubber)	UXA-000011-900 (1/2)	Torque Arm Bushing Assembly Includes Key Nos. 17,18,19, 20, 21	8	1-67
	R309362 (Poly)				
17	R301018	UXA-000016	Torque Arm Bolt	8	1-67
18	R302833	UXA-000356-001	Outer Washer	8	2-35
19	R30927 (Rubber)	UXA-000011	Torque Arm Bushing	16	1-67
	R307433 (Poly)				
20	R301074	UXA-000002	Compression Washer	8	2-35
22	R302515	UCF-002640-001	Adjustable Torque Arm, 15 7/16" Center-to-Center	2	1-67
23	R302514	UXA-000026-001	Rigid Torque Arm, 15 7/16" Center-to-Center	2	1-67
24	R302830	UXA-000017	Equalizer, Cast Steel	2	1-66
	R302831	UCF-001463-001	Equalizer, Fabricated Steel		2-67
	R308931	UCF-006963-001	Equalizer, Ductile Iron (Replaces Fabricated Steel Version)		1-66
	R309366	UCF-008317-001	Equalizer		1-66
—	S.O.S.	UXA-000063	Hanger Reinforcement	As Required	—
—	S.O.S.	BCB-008841-900	Hanger Wear Plate (Front Spring)	As Required	—
—	S.O.S.	FCA-000759-001	Equalizer Hanger Cross Brace	1	—

S.O.S. = Available through Meritor's S.O.S. Department

FRUEHAUF F-2 SUSPENSION

Wide-Base Hangers Trailer



LEAF SPRING REFERENCES

SRI No.

TRA 011	Single Leaf - High
TRA 012	Single Leaf - Medium
TRA 013	Single Leaf
TRA 014	Single Leaf - Low
TRA 015	Single Leaf
TRA 017	Single Leaf
TRA 693	3 Leaf - High
TRA 697	3 Leaf - Low
TRA 3609	3 Leaf - Medium
TRA 699	4 Leaf
TRA 2157	7 Leaf - Low
TRA 2161	7 Leaf - High
TRA 2171	7 Leaf
TRA 2160	8 Leaf - Low
TRA 2162	8 Leaf - High
TRA 696	9 Leaf - Low

NOTE: To double the life of new bushings retorque one week after installing. Then retorque three months after installing.

FRUEHAUF F-2 SUSPENSION PARTS

Wide-Base Hangers

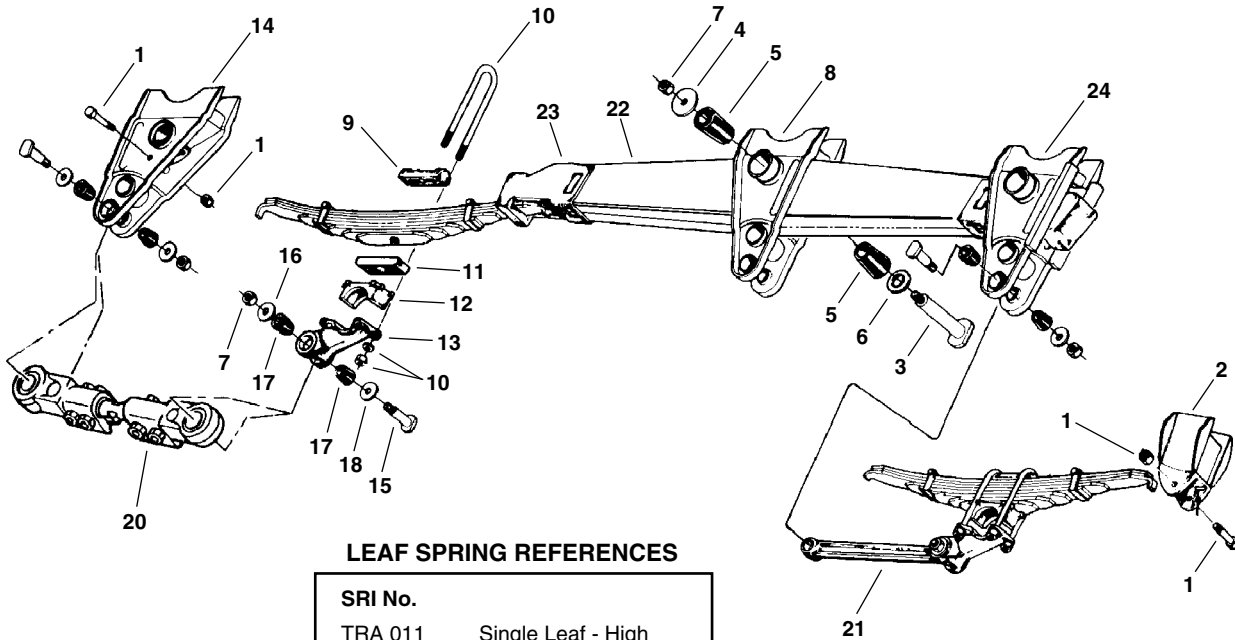
Trailer

KEY NO.	MERITOR NO.	REPLACES FRUEHAUF NO.	DESCRIPTION	QUANTITY PER TANDEM	PAGE NO.
1	R302829	UXA-000020-001 FSP-005-03-012 FSP-006-02-PK6	Spacer Assembly	4	1-70
2	R302824	UCF-005858-001	Rear Hanger, Under Mount; 1, 3 or 4 Leaf Springs	2	1-70
	S.O.S.	UCE-007745-001	Rear Hanger, Under Mount; 7, 8 or 9 Leaf Springs	2	—
—	R301024 (Rubber)	UXA-000004-900	Equalizer Bushing Assembly Includes Key Nos. 3, 4, 5, 6, 7	2	1-66
	R309361 (Poly)				
3	R301019	UXA-000015-001	Equalizer Bolt	2	1-66
4	R302832	UXA-000356-002	Outer Washer	2	2-35
5	R301020 (Rubber)	UXA-000004	Equalizer Bushing	4	1-66
	R307432 (Poly)				
6	R301021	UXA-000003	Compression Washer	2	2-35
7	R30937	FSP-006-02-PK9	Equalizer Nut	10	2-34
8	R302823	UCE-007746-001	Equalizer Hanger, Under Mount	2	1-70
9	R302839	UCC-005998-001	Spring Saddle, Single Leaf Springs	4	1-68
	R302840	UCE-008801-001 (New) UCD-007601-007 (Old)	Spring Saddle, Multi-Leaf Springs		
10	R30U8161-10	UXA-000046-915	U-Bolt Assembly, Rd. Bend, 7/8"-14 Thd. x 3" Wide x 10" Long	8	2-25
	R30U8161-12	UXA-000046-916	U-Bolt Assembly, Rd. Bend, 7/8"-14 Thd. x 3" Wide x 12" Long		
	R30U8161-16	UXA-000046-917	U-Bolt Assembly, Rd. Bend, 7/8"-14 Thd. x 3" Wide x 16" Long		
	R30U8161-18	UXA-000046-918	U-Bolt Assembly, Rd. Bend, 7/8"-14 Thd. x 3" Wide x 18" Long		
11	R302842	UCE-006632-002 UCE-006632-001	Delrin Spring Liner Pad	8	1-68
12	R302838	UXA-000048	Spring Spacer	4	1-68
13	R302837	AXA-000512-001	Spring Seat	4	1-68
14	R302836	AXA-000495-001	Axle Bracket	4	1-68
15	R302822	UCF-001466-001	Front Hanger, Under Mount	2	1-70
—	R301023 (Rubber)	UXA-000011-900 (1/2)	Torque Arm Bushing Assembly Includes Key Nos. 17,18,19, 20, 21	8	1-67
	R309362 (Poly)				
17	R301018	UXA-000016	Torque Arm Bolt	8	1-67
18	R302833	UXA-000356-001	Outer Washer	8	2-35
19	R30927 (Rubber)	UXA-000011	Torque Arm Bushing	16	1-67
	R307433 (Poly)				
20	R301074	UXA-000002	Compression Washer	8	2-35
22	R302515	UCF-002640-001	Adjustable Torque Arm, 15 7/16" Center-to-Center	2	1-67
23	R302514	UXA-000026-001	Rigid Torque Arm , 15 7/16" Center-to-Center	2	1-67
24	R302830	UXA-000017	Equalizer, Cast Steel	2	1-66
	R302831	UCF-001463-001	Equalizer, Fabricated Steel	2	2-67
	R308931	UCF-006963-001	Equalizer, Ductile Iron (Replaces Fabricated)	2	1-66
	R309366	UCF-008317-001	Equalizer	2	1-66
—	S.O.S.	UXA-000063	Hanger Reinforcement	As Required	—
—	S.O.S.	BCB-008841-900	Hanger Wear Plate	As Required	—
—	S.O.S.	FCA-000759-001	Equalizer Hanger Cross Brace	1	—

S.O.S. = Available through Meritor's S.O.S. Department

FRUEHAUF F-2W SUSPENSION

Standard Hangers Trailer



LEAF SPRING REFERENCES

SRI No.

TRA 011	Single Leaf - High
TRA 012	Single Leaf - Medium
TRA 013	Single Leaf
TRA 014	Single Leaf - Low
TRA 015	Single Leaf
TRA 017	Single Leaf
TRA 693	3 Leaf - High
TRA 697	3 Leaf - Low
TRA 3609	3 Leaf - Medium
TRA 699	4 Leaf
TRA 2157	7 Leaf - Low
TRA 2161	7 Leaf - High
TRA 2171	7 Leaf
TRA 2160	8 Leaf - Low
TRA 2162	8 Leaf - High
TRA 696	9 Leaf - Low

FRUEHAUF F-2W SUSPENSION PARTS

Standard Hangers Trailer

KEY NO.	MERITOR NO.	REPLACES FRUEHAUF NO.	DESCRIPTION	QUANTITY PER TANDEM	PAGE NO.
1	R302829	UXA-000020-001 FSP-005-03-012 FSP-006-02-PK6	Spacer Assembly	4	1-70
2	R302828	UCF-002470-001	Rear Hanger, Under Mount	2	1-70
	S.O.S.	UCF-002471-001	Rear Hanger, Straddle Mount	2	—
	S.O.S.	UXA-00065	Rear Hanger, Cast, Left Hand	1	—
	S.O.S.	UXA-00065-001	Rear Hanger, Cast, Right Hand	1	—
—	R301024 (Rubber)	UXA-000004-900	Equalizer Bushing Assembly Includes Key Nos. 3, 4, 5, 6, 7	2	1-66
	R309361 (Poly)				

FRUEHAUF F-2W SUSPENSION PARTS

Standard Hangers

Trailer

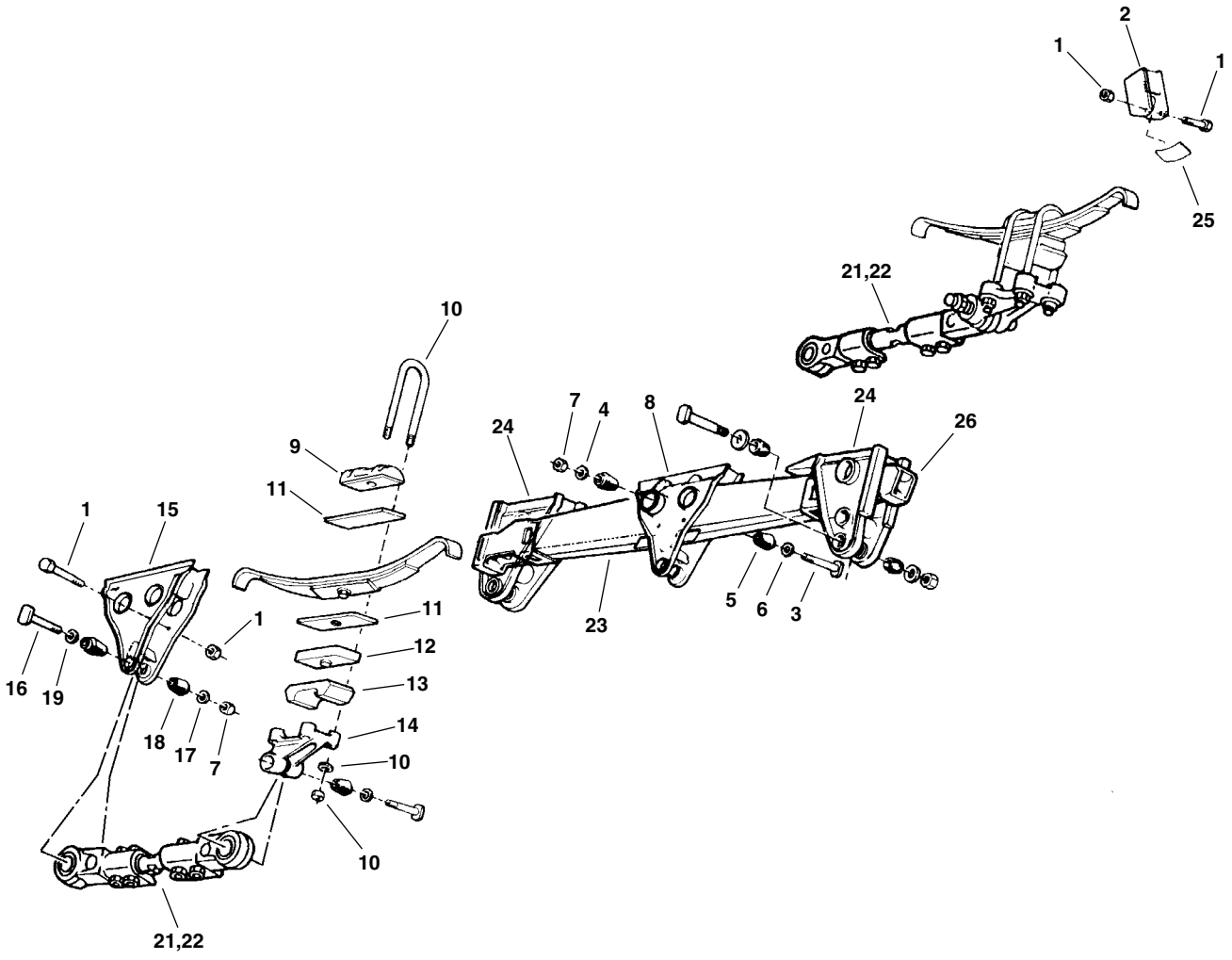
N/A = Part no longer available

KEY NO.	MERITOR NO.	REPLACES FRUEHAUF NO.	DESCRIPTION	QUANTITY PER TANDEM	PAGE NO.
3	R301019	UXA-000015-001	Equalizer Bolt	2	1-66
4	R302832	UXA-000356-002	Outer Washer	2	2-35
5	R301020 (Rubber)	UXA-000004	Equalizer Bushing	4	1-66
	R307432 (Poly)				
6	R301021	UXA-000003	Compression Washer	2	2-35
7	R30937	FSP-006-02-PK9	Equalizer Nut	10	2-34
8	R302827	UXA-000034	Equalizer Hanger, Under Mount	2	1-70
	S.O.S.	UXA-000021	Equalizer Hanger, Straddle Mount	2	—
	S.O.S.	UXA-000067	Equalizer Hanger, Cast, Left Hand	1	—
	S.O.S.	UXA-000067-001	Equalizer Hanger, Cast, Right Hand	1	—
9	R302839	UCC-005998-001	Spring Saddle, Single Leaf Springs	4	1-68
	R302840	UCE-008801-001 (New) UCD-007601-007 (Old)	Spring Saddle, Multi-Leaf Springs		
10	R30U8161-10	UXA-000046-915	U-Bolt Assembly, Rd. Bend, 7/8"-14 Thd. x 3" Wide x 10" Long	8	2-25
	R30U8161-12	UXA-000046-916	U-Bolt Assembly, Rd. Bend, 7/8"-14 Thd. x 3" Wide x 12" Long		
	R30U8161-16	UXA-000046-917	U-Bolt Assembly, Rd. Bend, 7/8"-14 Thd. x 3" Wide x 16" Long		
	R30U8161-18	UXA-000046-918	U-Bolt Assembly, Rd. Bend, 7/8"-14 Thd. x 3" Wide x 18" Long		
11	R302838	UXA-000048	Spring Spacer	4	1-68
12	N/A	UXA-000047	Spring Seat	4	—
13	S.O.S.	UXA-000028	Axle Bracket	4	—
14	R302826	UCF-002467-001	Front Hanger, Under Mount	2	1-70
	S.O.S.	UCF-002473-001	Front Hanger, Straddle Mount	2	—
	S.O.S.	UXA-000066	Front Hanger, Cast, Left Hand	1	—
	S.O.S.	UXA-000066-001	Front Hanger, Cast, Right Hand	1	—
—	R301023 (Rubber)	UXA-000011-900 (1/2)	Torque Arm Bushing Assembly Includes Key Nos. 17,18,19, 20, 21	8	1-67
	R309362 (Poly)				
15	R301018	UXA-000016	Torque Arm Bolt	8	1-67
16	R302833	UXA-000356-001	Outer Washer	8	2-35
17	R30927 (Rubber)	UXA-000011	Torque Arm Bushing	16	1-67
	R307433 (Poly)				
18	R301074	UXA-000002	Compression Washer	8	2-35
20	R302515	UCF-002640-001	Adjustable Torque Arm, 15 7/16" Center-to-Center	2	1-67
21	R302514	UXA-000026-001	Rigid Torque Arm, 15 7/16" Center-to-Center	2	1-67
22	S.O.S.	UCC-000364-001	Equalizer, 73" Spread	2	—
	S.O.S.	UXA-000049	Equalizer, 109" Spread		
	S.O.S.	UXA-000263	Equalizer, 121" Spread		
23	N/A	UXA-000051	Equalizer Replaceable End	4	—
24	S.O.S.	UXA-000054	Guide Hanger, Under Mount	2	—
	S.O.S.	UXA-000057	Guide Hanger, Straddle Mount		
—	S.O.S.	UXA-000063	Hanger Reinforcement	As Required	—
—	S.O.S.	BCB-008841-900	Hanger Wear Plate	As Required	—
—	S.O.S.	FCA-000759-001	Equalizer Hanger Cross Brace	1	—

S.O.S. = Available through Meritor's S.O.S. Department

FRUEHAUF F-2W SUSPENSION

Wide-Base Hangers Trailer



LEAF SPRING REFERENCES

SRI No.	
TRA 011	Single Leaf - High
TRA 012	Single Leaf - Medium
TRA 013	Single Leaf
TRA 014	Single Leaf - Low
TRA 015	Single Leaf
TRA 017	Single Leaf
TRA 693	3 Leaf - High
TRA 697	3 Leaf - Low
TRA 3609	3 Leaf - Medium
TRA 699	4 Leaf
TRA 2157	7 Leaf - Low
TRA 2161	7 Leaf - High
TRA 2171	7 Leaf
TRA 2160	8 Leaf - Low
TRA 2162	8 Leaf - High
TRA 696	9 Leaf - Low

FRUEHAUF F-2W SUSPENSION PARTS

Wide-Base Hangers

Trailer

N/A = Part no longer available

KEY NO.	MERITOR NO.	REPLACES FRUEHAUF NO.	DESCRIPTION	QUANTITY PER TANDEM	PAGE NO.
1	R302829	UXA-000020-001 FSP-005-03-012 FSP-006-02-PK6	Spacer Assembly	4	1-70
2	S.O.S.	UCE-007745-001	Rear Hanger, Under Mount	2	—
—	R301024 (Rubber) R309361 (Poly)	UXA-000004-900	Equalizer Bushing Assembly Includes Key Nos. 3, 4, 5, 6, 7	2	1-66
3	R301019	UXA-000015-001	Equalizer Bolt	2	1-66
4	R302832	UXA-000356-002	Outer Washer	2	2-35
5	R301020 (Rubber) R307432 (Poly)	UXA-000004	Equalizer Bushing	4	1-66
6	R301021	UXA-000003	Compression Washer	2	2-35
7	R30937	FSP-006-02-PK9	Equalizer Nut	10	2-34
8	R302823	UCE-007746-001	Equalizer Hanger, Under Mount	2	1-70
9	R302839 R302840	UCC-005998-001 UCE-008801-001 (New) UCD-007601-007 (Old)	Spring Saddle, Single Leaf Springs Spring Saddle, Multi-Leaf Springs	4	1-68
10	R30U8161-10 R30U8161-12 R30U8161-16 R30U8161-18	UXA-000046-915 UXA-000046-916 UXA-000046-917 UXA-000046-918	U-Bolt Assembly, Rd. Bend, 7/8"-14 Thd. x 3" Wide x 10" Long U-Bolt Assembly, Rd. Bend, 7/8"-14 Thd. x 3" Wide x 12" Long U-Bolt Assembly, Rd. Bend, 7/8"-14 Thd. x 3" Wide x 16" Long U-Bolt Assembly, Rd. Bend, 7/8"-14 Thd. x 3" Wide x 18" Long	8	2-25
11	R302842	UCE-006632-002 UCE-006632-001	Delrin Spring Liner Pad	8	1-68
12	R302838	UXA-000048	Spring Spacer	4	1-68
13	R302837	AXA-000512-001	Spring Seat	4	1-68
14	R302836	AXA-000495-001	Axle Bracket	4	1-68
15	R302822	UCF-001466-001	Front Hanger, Under Mount	2	1-70
—	R301023 (Rubber) R309362 (Poly)	UXA-000011-900 (1/2)	Torque Arm Bushing Assembly Includes Key Nos. 17, 18, 19, 20, 21	8	1-67
16	R301018	UXA-000016	Torque Arm Bolt	8	1-67
17	R302833	UXA-000356-001	Outer Washer	8	2-35
18	R30927 (Rubber) R307433 (Poly)	UXA-000011	Torque Arm Bushing	16	1-67
19	R301074	UXA-000002	Compression Washer	8	2-35
21	R302515	UCF-002640-001	Adjustable Torque Arm, 15 7/16", Center-to-Center	2	1-67
22	R302514	UXA-000026-001	Rigid Torque Arm, 15 7/16", Center-to-Center	2	1-67
23	S.O.S. N/A N/A	UCC-000364-001 UXA-000049 UXA-000263	Equalizer, 73" Spread Equalizer, 109" Spread Equalizer, 121" Spread	2	—
24	S.O.S.	UXA-000054	Guide Hanger, Under Mount	2	—
25	S.O.S.	UCE-007740-001	Rear Hanger Wear Pad	As Required	—
26	N/A	UXA-000051	Equalizer Replaceable End	4	—
—	S.O.S.	UXA-000063	Hanger Reinforcement	As Required	—
—	S.O.S.	BCB-008841-900	Hanger Wear Plate	As Required	—
—	S.O.S.	FCA-000759-001	Equalizer Hanger Cross Brace	1	—

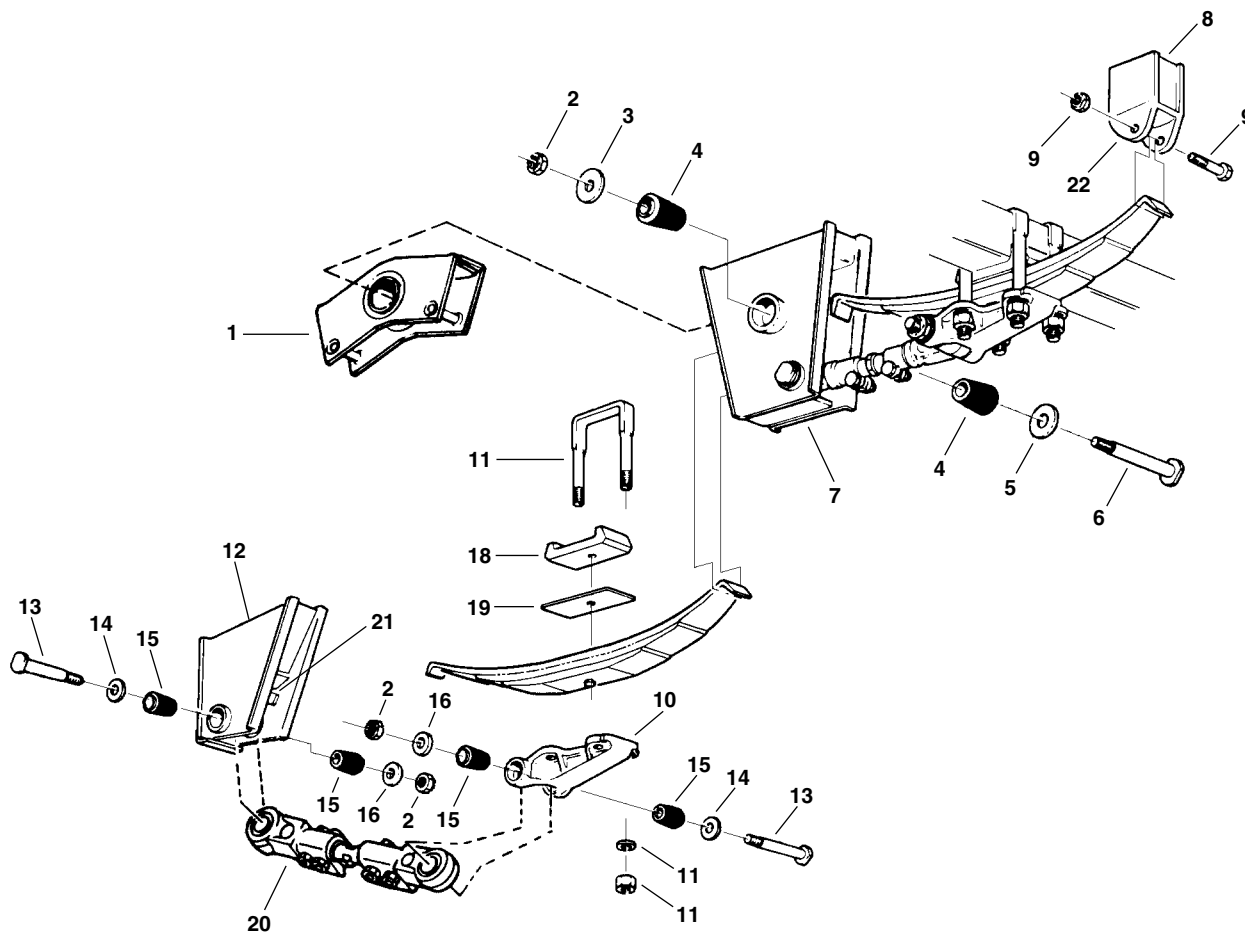
S.O.S. = Available through Meritor's S.O.S. Department

Contact Customer Care
USA - 1-888-725-9355 CANADA - 800-387-3889

XpresswayPlus.ArvinMeritor.com

FRUEHAUF J-2 SUSPENSION

Trailer



LEAF SPRING REFERENCES

SRI No.

TRA 011	Single Leaf - High
TRA 012	Single Leaf - Medium
TRA 013	Single Leaf
TRA 014	Single Leaf - Low
TRA 015	Single Leaf
TRA 017	Single Leaf
TRA 693	3 Leaf - High
TRA 697	3 Leaf - Low
TRA 3609	3 Leaf - Medium
TRA 699	4 Leaf
TRA 2157	7 Leaf - Low
TRA 2161	7 Leaf - High
TRA 2171	7 Leaf
TRA 2160	8 Leaf - Low
TRA 2162	8 Leaf - High
TRA 696	9 Leaf - Low

FRUEHAUF J-2 SUSPENSION PARTS

Trailer

N/A = Part no longer available

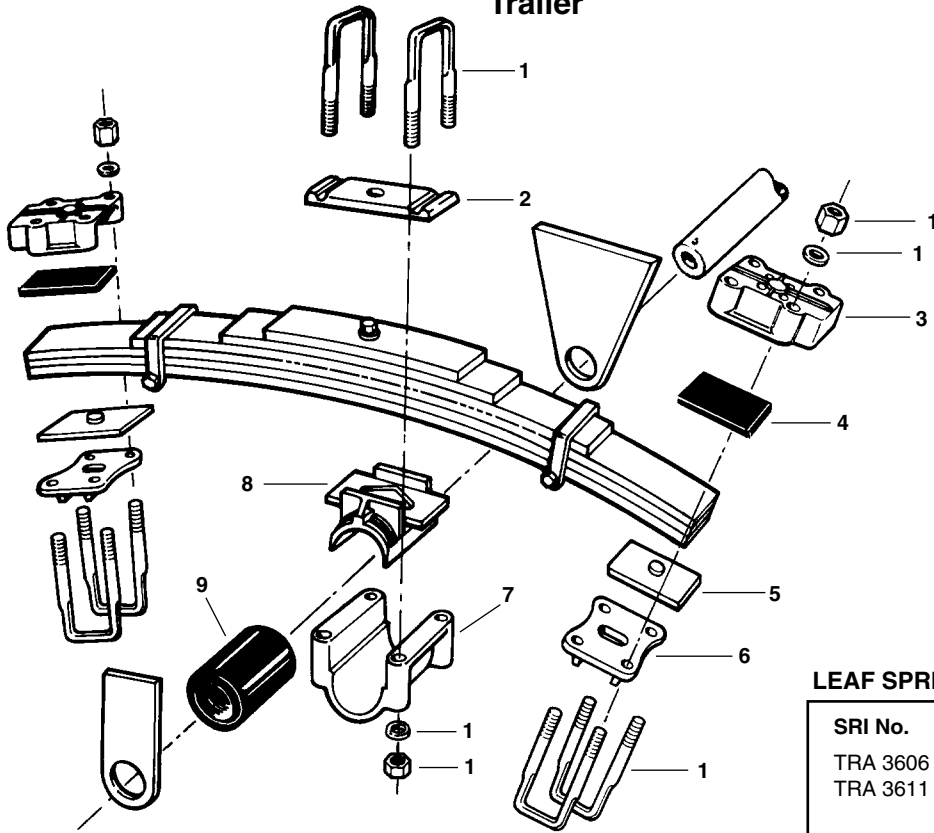
KEY NO.	MERITOR NO.	REPLACES FRUEHAUF NO.	DESCRIPTION	QUANTITY PER TANDEM	PAGE NO.
1	R302831	UCF-001463-900	Equalizer, Fabricated	2	2-67
	R308931	UCF-006963-001	Equalizer, Ductile Iron (Replaces Fabricated Steel Version)		1-66
	R309366	UCF-008317-001	Equalizer		1-66
—	R301024 (Rubber)	UXA-000004-900	Equalizer Bushing Assembly Includes Key Nos. 2, 3, 4, 5, 6	2	1-66
	R309361 (Poly)				
2	R30937	FSP-006-02-PK9	Nut	4	2-34
3	R301021	UXA-000003	Equalizer Washer	2	2-35
4	R301020 (Rubber)	UXA-000004	Equalizer Bushing	4	1-66
	R307432 (Poly)				
5	R302832	UXA-000356-002	Equalizer Washer	2	2-35
6	R301019	UXA-000015-001	Equalizer Bolt	2	1-66
7	S.O.S.	UCE-004177-002	Equalizer Hanger	2	—
8	S.O.S.	UCE-007745-002	Rear Hanger	2	—
9	R302829	UXA-000020-001	Spacer Assembly	2	1-70
		FSP-005-03-012 FSP-006-02-PK6			
10	S.O.S.	UXA-000075-002	Axle Bracket	4	—
11	R30U8575-126	BXE-000460-900	U-Bolt Assembly, Flat Sq. Bend, 1"-14 Thd. x 5" Wide x 12 ^{3/4} " Long	8	2-30
12	S.O.S.	UCE-004169-002	Front Hanger, Straight Frame 12°	2	—
—	R301023 (Rubber)	UXA-000011-900	Torque Arm Bushing Assembly Includes Key Nos. 13, 14, 15, 16, 17	8	1-67
	R309362 (Poly)				
13	R301018	UXA-000016	Radius Rod Bolt	8	1-67
14	R302833	UXA-000356-001	Outer Washer	8	2-35
15	R30927 (Rubber)	UXA-000011	Radius Rod Bushing	16	1-67
	R307433 (Poly)				
16	R301074	UXA-000002	Compression Washer	8	2-35
18	R302837	AXA-000512-001	Spring Chair	4	1-68
19	R302842	UCD-006632-002	Delrin Liner	4	1-68
20	R302515	UCF-002640-001	Adjustable Torque Arm, 15 ^{7/16} " Center-to-Center	2	1-67
	R302514	UXA-000026-001	Rigid Torque Arm, 15 ^{7/16} " Center-to-Center	2	1-67
21	N/A	UCC-008922-001	Wear Plate	As Required	—
22	N/A	UXA-000008	Wear Plate	As Required	—

S.O.S. = Available through Meritor's S.O.S. Department

FRUEHAUF M2 SUSPENSION

1

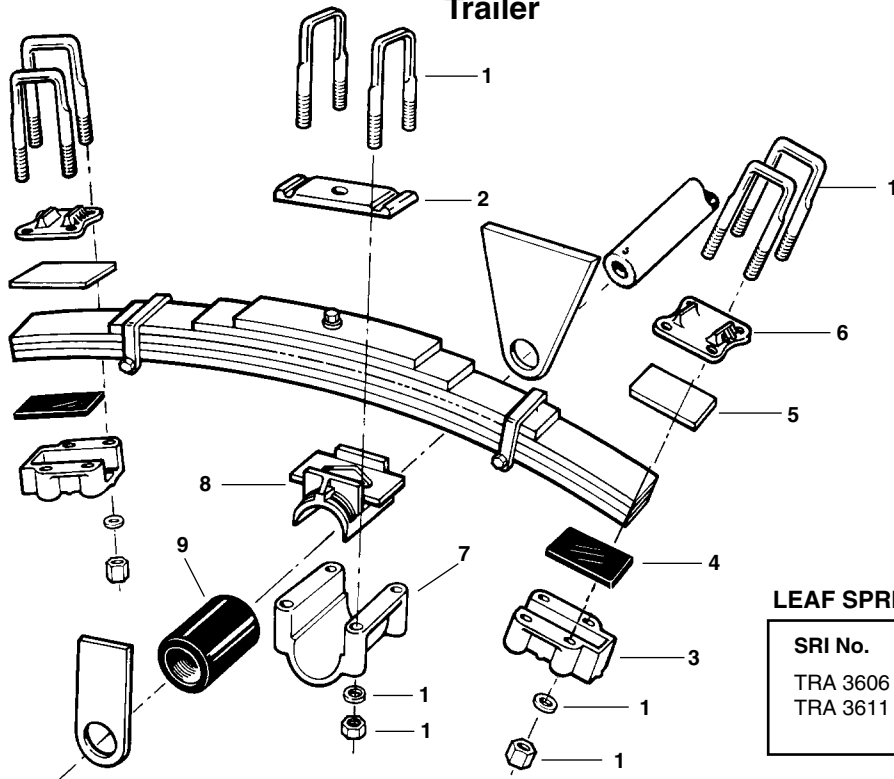
Overslung Trailer



LEAF SPRING REFERENCES

SRI No.	
TRA 3606	6 Leaf
TRA 3611	7 Leaf

Underslung Trailer



LEAF SPRING REFERENCES

SRI No.	
TRA 3606	6 Leaf
TRA 3611	7 Leaf

FRUEHAUF M2 SUSPENSION PARTS

Overslung/Underslung

Trailer

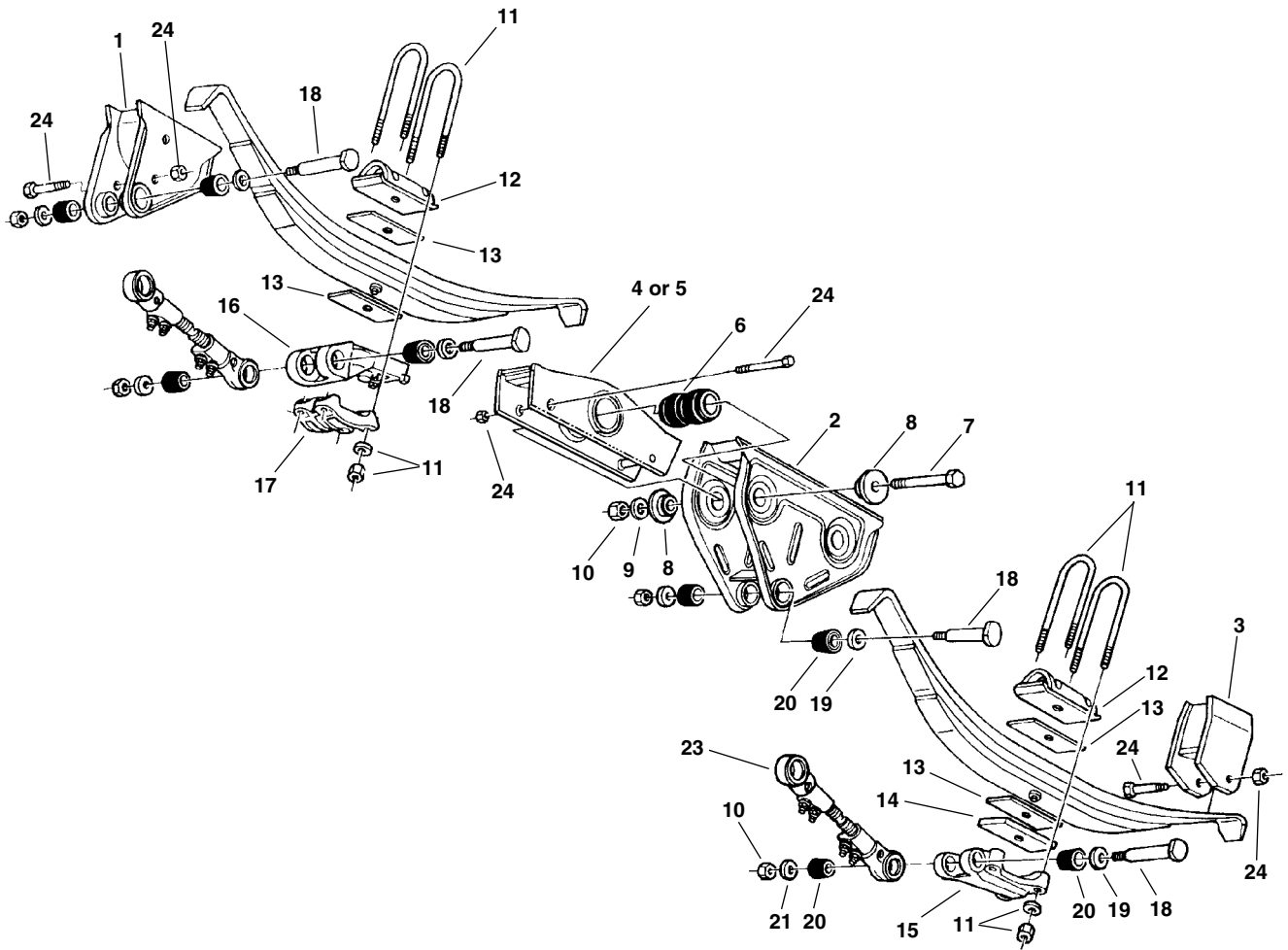
KEY NO.	MERITOR NO.	REPLACES FRUEHAUF NO.	DESCRIPTION	QUANTITY PER TANDEM	PAGE NO.
1	R30U8585-132	UCD-008680-901	U-Bolt Assembly, Flat Sq. Bend, 1 1/8"-12 Thd. x 5" Wide x 13 1/4" Long	12	2-30
2	R303576	UCD-005641-001	Spring Top Pad	2	1-71
3	R303583	ACD-006849-001	Spring End Cap	4	1-71
4	R303582 (Rubber)	UCD-005635-001	Spring End Pad	4	1-71
	R308664 (Poly)	UCD-005635-001			
5	R303581	UCE-001350-001	Plate Assembly	4	1-71
6	R303580	ACD-006850-001	Axle Bracket	4	1-71
7	R303578	UCD-005631-001	Lower Trunnion Casting	2	1-71
8	R303577	UCD-005755-001	Upper Trunnion Casting	2	1-71
9	R303579 (Rubber)	UXA-000160	Trunnion Bushing	2	1-71
	R308663 (Poly)	UXA-000160-SPX			
—	S.O.S.	UCF-000036-001	Trunnion Assembly, 71" Track	2	—
—	S.O.S.	UCF-000036-002	Trunnion Assembly, 77" Track	2	—

S.O.S. = Available through Meritor's S.O.S. Department

1

FRUEHAUF NF-2 SUSPENSION

Trailer



1

FRUEHAUF NF-2 SUSPENSION PARTS

Trailer

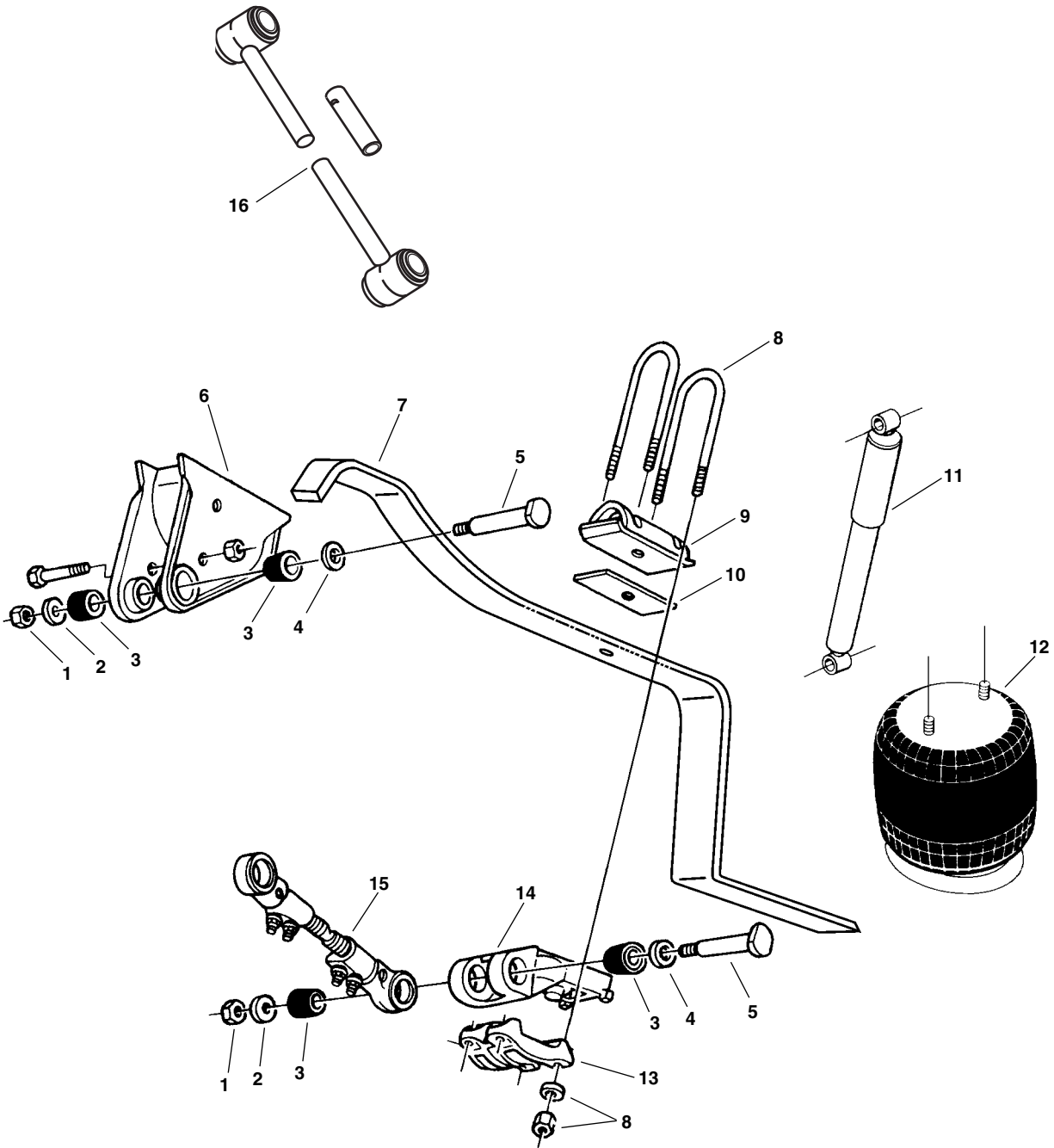
KEY NO.	MERITOR NO.	REPLACES FRUEHAUF NO.	DESCRIPTION	QUANTITY PER TANDEM	PAGE NO.
1	R309363	UCF-006668-001	Front Hanger	2	1-69
2	R309364	UCF-006672-001	Center Hanger	2	1-69
3	R309365	UCF-005858-002	Rear Hanger; 1, 3, and 4 Leaf Springs	2	1-69
4	R309366	UCF-008317-001	Equalizer, Bushing Included	2	1-66
5	S.O.S.	UCF-008317-002	Hardened Equalizer	2	—
—	R309367	—	Equalizer Bushing Assembly Includes Key Nos. 6, 7, 8, 9, 10	2	1-66
6	R309368	UCF-006699-001	Equalizer Bushing	2	1-66
7	R301166	FSP-005-03-028	Bolt	2	2-32
8	R309370	UCF-006703-001	Bushing	4	1-67
9	R302275	FSP-007-02-010	Washer	2	2-35
10	R30937	FSP-006-02-PK9	Nut	10	2-34
11	R30U8161-10	UXA-000046-915	U-Bolt Assembly, Rd. Bend, 7/8"-14 Thd. x 3" Wide x 10" Long	8	2-25
	R30U8161-12	UXA-000046-916	U-Bolt Assembly, Rd. Bend, 7/8"-14 Thd. x 3" Wide x 12" Long		
	R30U8161-16	UXA-000046-917	U-Bolt Assembly, Rd. Bend, 7/8"-14 Thd. x 3" Wide x 16" Long		
	R30U8161-18	UXA-000046-918	U-Bolt Assembly, Rd. Bend, 7/8"-14 Thd. x 3" Wide x 18" Long		
12	R302839	UCC-005998-001	Saddle, Single Leaf Spring	4	1-68
	R302840	UCE-008801-001 (New) UCD-007601-007 (Old)	Saddle, Multi-Leaf Spring		1-68
13	R302842	UCD-006632-002	Delrin Spring Liner	As Required	1-68
14	R302838	UXA-000048	Spring Spacer	As Required	1-68
15	S.O.S.	UCC-004920-001	Axle Bracket, Rear	2	—
16	R307636	UCF-006696-001	Axle Seat, High Ride	2	1-69
17	S.O.S.	UCF-002610-001	Bottom Plate, High Ride	2	—
—	R301023 (Rubber)	UXA-000011-900 (1/2)	Torque Arm Bushing Assembly Includes Key Nos. 18, 19, 20, 21, 22	8	1-67
	R309362 (Poly)				
18	R301018	UXA-000016	Torque Arm Bolt	8	1-67
19	R302833	UXA-000356-001	Washer	8	2-35
20	R30927 (Rubber)	UXA-000011	Torque Arm Bushing	16	1-67
	R307433 (Poly)				
21	R301074	UXA-000002	Washer	8	2-35
23	R302514	UXA-000026-001	Rigid Torque Arm, 15 7/16" Center-To-Center	2	1-67
	R302515	UCF-002640-001	Adjustable Torque Arm, 15 7/16" Center-To-Center	2	1-67
24	R309372	FSP-005-03-054 FSP-006-02-006	Rebound Bolt and Nut	4	1-67
—	R302837	AXA-000512-001	Spring Chair, Rear	4	1-68

S.O.S. = Available through Meritor's S.O.S. Department

FRUEHAUF NT SUSPENSION

(High Ride Version Shown)
Trailer

1



FRUEHAUF NT SUSPENSION PARTS

(High Ride Version Shown)

Trailer

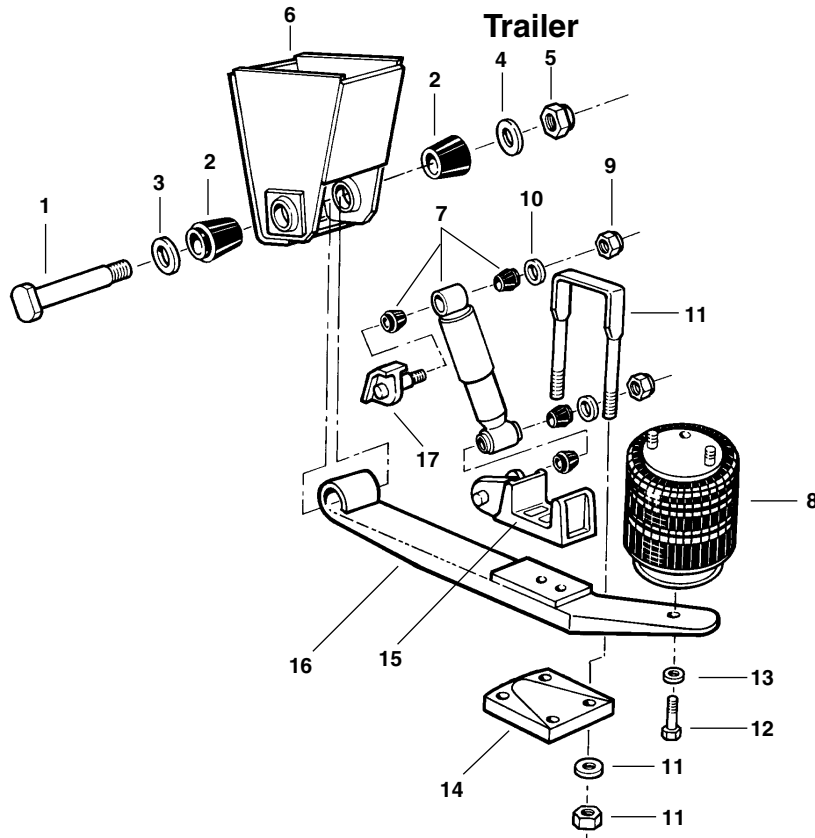
N/A = Part no longer available

KEY NO.	MERITOR NO.	REPLACES FRUEHAUF NO.	DESCRIPTION	QUANTITY PER TANDEM	PAGE NO.
—	R301023 (Rubber)	UXA-000011-900 (1/2)	Torque Arm Bushing Assembly Includes Key Nos. 1, 2, 3, 4, 5	4	1-67
	R309362 (Poly)				
1	R30937	FSP-006-02-009	Nut	4	2-34
2	R301074	UXA-000002	Washer	4	2-35
3	R30927 (Rubber)	UXA-000011	Bushings	8	1-67
	R307433 (Poly)				
4	R302833	UXA-000356-001	Washer	4	2-35
5	R301018	UXA-000016	Torque Arm Bolt, 6" Length	4	1-67
	R307637	UXA-000016-000	Torque Arm Bolt, 7" Length	4	
6	R309363	UCF-006668-001	Front Hanger	2	1-69
7	S.O.S.	UCF-008314-001	Arm Spring	2	—
8	R30U8161-10	UXA-000046-915	U-Bolt Assembly, Rd. Bend, 7/8"-14 Thd. x 3" Wide x 10" Long	4	2-25
	R30U8161-12	UXA-000046-916	U-Bolt Assembly, Rd. Bend, 7/8"-14 Thd. x 3" Wide x 12" Long		
	R30U8161-16	UXA-000046-917	U-Bolt Assembly, Rd. Bend, 7/8"-14 Thd. x 3" Wide x 16" Long		
	R30U8161-18	UXA-000046-918	U-Bolt Assembly, Rd. Bend, 7/8"-14 Thd. x 3" Wide x 18" Long		
9	R302840	UCE-008801-001 (New) UCD-007601-007 (Old)	Saddle	2	1-68
	S.O.S.	UVA-000056-001	Saddle with Stabilizer Bracket		—
10	S.O.S.	UCF-006972-003	Spacer Plate	2	—
11	85321	UCF-008339-001	Fleetline Shock	2	3-13
		UCF-008339-002			
		680298			
12	FS9394	UCE-09393-002	Air Spring	2	—
13	R307636	UCF-002610-001	Bottom Plate, High Ride	2	1-69
14	R3010778	UCF-006696-001	Axle Seat, on Top of Axle High Ride Height 14 3/4" x 15 1/2"	4	—
	N/A	UCF-006702-001	Axle Bracket, Below Axle Low Ride Height 14 3/4" x 15 1/2"	As Required	—
15	R302514	UXA-000026-001	Rigid Torque Arm, 15 7/16" Center-To-Center	2	1-67
	R302515	UCF-002640-001	Adjustable Torque Arm, 15 7/16" Center-To-Center	2	1-67
16	R3010758*	FCF-008248-902	Uni-Rod Kit, 20" - 30" Long, 7/8" I.D.	1	—
—	S.O.S.	UVA-000008-001	Air Spring Base Plate Assembly	2	—
—	S.O.S.	UCF-009172-001	Air Spring Top Mount, 38" Spring Center	2	—
—	S.O.S.	UCF-009172-003	Air Spring Top Mount, 44" Spring Center		

S.O.S. = Available through Meritor's S.O.S. Department

* Use 3216T4024 Uni-Dapter (Page 2-47) for 30" - 40" Rods.

FRUEHAUF T SUSPENSION

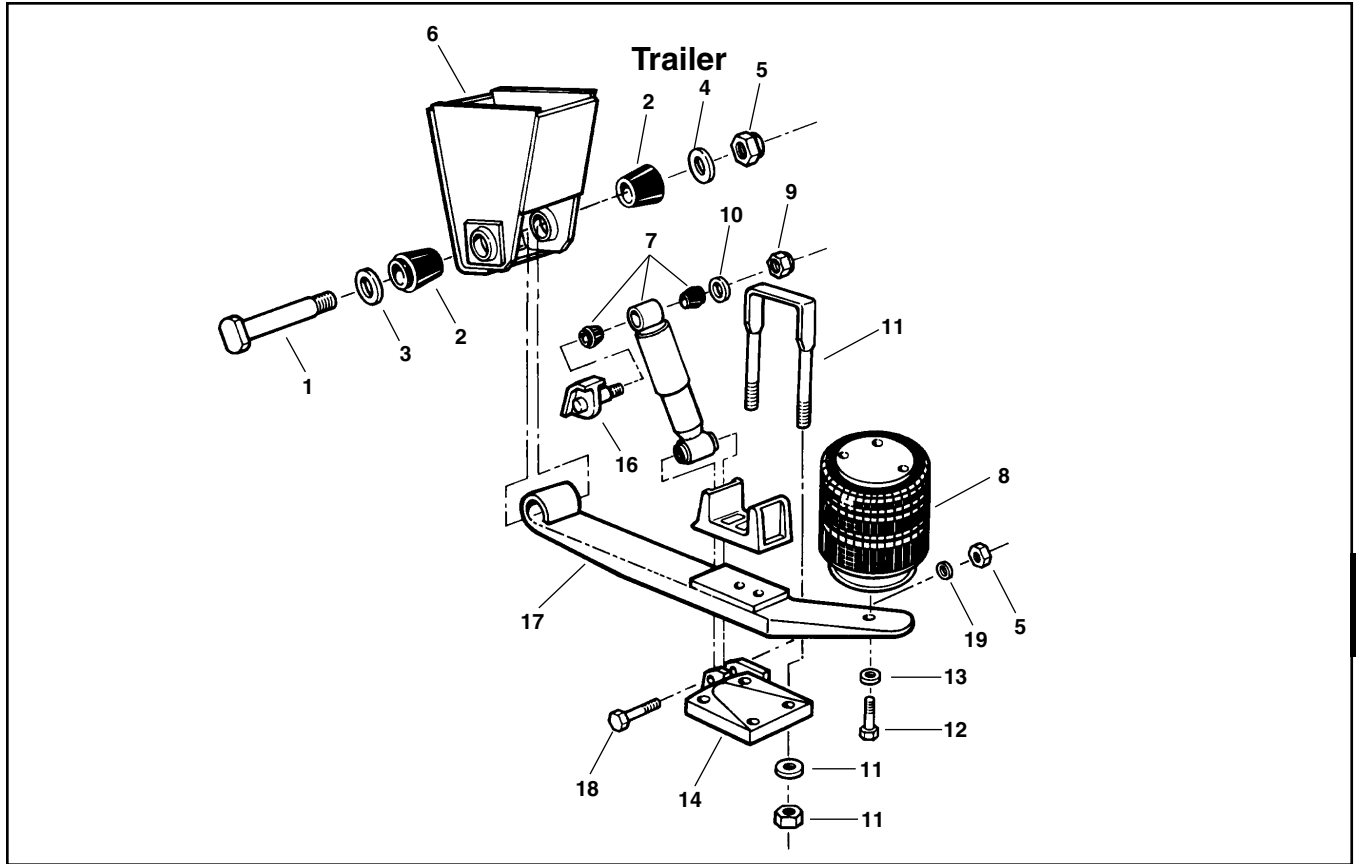


KEY NO.	MERITOR NO.	REPLACES FRUEHAUF NO.	DESCRIPTION	QUANTITY PER AXLE	PAGE NO.
—	R301024 (Rubber) R309361 (Poly)	UXA-000004-900	Trailing Arm Bushing Assembly Includes Key Nos. 1, 2, 3, 4, 5	2	1-66
1	R301019	UXA-000015-001	Trailing Arm Bolt	2	1-66
2	R301020 (Rubber) R307432 (Poly)	UXA-000004	Trailing Arm Bushing	4	1-66
3	R301021	UXA-000003	Compression Washer	2	2-35
4	R302832	UXA-000356-002	Outer Washer	2	2-35
5	R30937	FSP-006-02-PK9	Nut	2	2-34
6	R303586 R303587	UCE-001177-001 UCE-001177-002	Hanger, Roadside Hanger, Curbside	1 1	1-72 1-72
7	85300 89419	UCE-001295-901	Fleetline Shock, Includes Bushings GasSLX Shock	2	3-10
8	FS9394 Use FS9394	UCE-009393-002 UCE-009393-001	Air Spring, Current Style Air Spring, Old Style (SS to FS9394)	2	— —
9	R301835	FSP-006-02-013	Nut	4	2-34
10	R302536	FSP-007-02-008	Washer	4	2-35
11	R30U8575-126	BXE-000460-900	U-Bolt Assembly, Flat Sq. Bend, 1"-14 Thd. x 5" Wide x 12 3/4" Long	4	2-30
12	S.O.S.	UCE-009460-001	Bolt	2	—
13	S.O.S.	FSP-007-03-004	Lock Washer	2	—
14	R303590	UCE-004461-001	Bottom Plate	2	1-72
15	R303588 R303589	UCE-001660-001 UCE-001660-002	Axle Seat, Curbside Axle Seat, Roadside	1 1	1-72 1-72
16	N/A N/A	UCE-000176-001 UCE-000176-002	Trailing Arm Sub Assembly, Left Hand Trailing Arm Sub Assembly, Right Hand	1 1	— —
17	R303596	UCE-001656-001	Upper Shock Bracket	2	1-72
—	S.O.S.	UCF-000051-001	Upper Air Spring Mounting Beam	1	—

S.O.S. = Available through Meritor's S.O.S. Department

N/A = Part no longer available

FRUEHAUF W24T1 SUSPENSION



KEY NO.	MERITOR NO.	REPLACES FRUEHAUF NO.	DESCRIPTION	QUANTITY PER AXLE	PAGE NO.
—	R301024 (Rubber) R309361 (Poly)	UXA-000004-900	Trailing Arm Bushing Assembly	2	1-66
1	R301019	UXA-000015-001	Trailing Arm Bolt	2	1-66
2	R301020 (Rubber) R307432 (Poly)	UXA-000004	Trailing Arm Bushing	4	1-66
3	R301021	UXA-000003	Compression Washer	4	2-35
4	R302832	UXA-000356-002	Outer Washer	4	2-35
5	R30937	FSP-006-02-PK9	Nut	6	2-34
6	R303586 R303587	UCE-001177-001 UCE-001177-002	Hanger Assembly, Roadside Hanger Assembly, Curbside	1 1	1-72 1-72
7	85322	UCE-002983-001	Fleetline Shock Absorber, Includes Bushings	2	3-10
8	FS9053	UCE-001304-002	Air Spring	2	—
9	R301835	FSP-006-02-013	Nut	2	2-34
10	R302536	FSP-007-02-008	Washer	2	2-35
11	R30U8575-126	BXE-000460-900	U-Bolt Assembly, Flat Sq. Bend, 1"-14 Thd. x 5" Wide x 12 3/4" Long	4	2-30
12	N/A	FSP-005-03-018	Hex Bolt, 1/2"-13 Thd. x 5 1/2", Grade 5	2	—
13	S.O.S.	FSP-007-03-004	Lock Washer, 1/2"	2	—
14	R303594 R303595	UCE-001874-001 UCE-001874-002	Bottom Plate Assembly, Roadside Bottom Plate Assembly, Curbside	1 1	1-72 1-72
16	R303596	UCE-001656-001	Shock Mounting Bracket Assembly	2	1-72
17	N/A N/A	UCE-000176-001 UCE-000176-002	Trailing Arm Sub Assembly, Left Hand Trailing Arm Sub Assembly, Right Hand	1	—
18	N/A	FSP-005-05-008	Hex Bolt	2	—
19	S.O.S.	FSP-007-02-010	Washer	2	—
—	N/A	UCE-001281-001	Upper Air Spring Mounting Beam	1	—

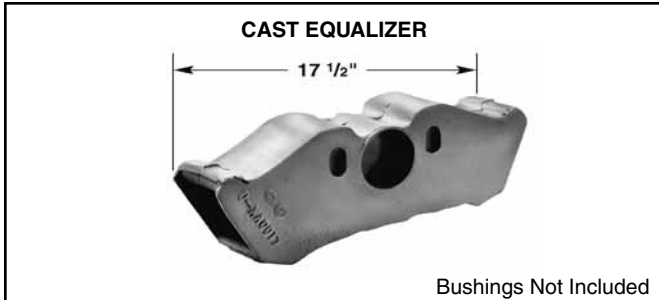
S.O.S. = Available through Meritor's S.O.S. Department

N/A = Part no longer available

Contact Customer Care
USA - 1-888-725-9355 CANADA - 800-387-3889

XpresswayPlus.ArvinMeritor.com

FRUEHAUF EQUALIZERS & BUSHING ASSEMBLY



MERITOR NO.	REPLACES	APPLICATION
R302830	Fruehauf UXA-000017	Early Model F-2 and Current Model F-3 Suspension. Use with R301024 Equalizer Bushing Assembly



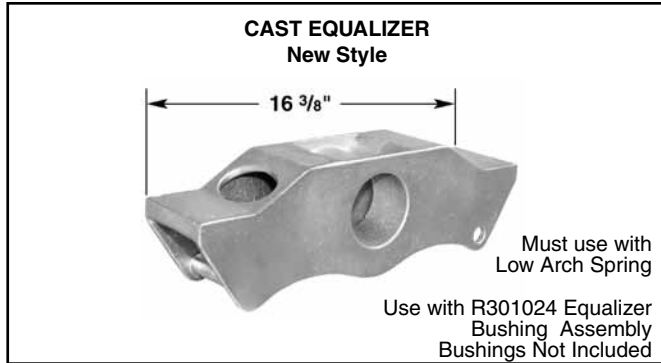
MERITOR NO.	REPLACES	APPLICATION
R309366	Fruehauf UCF-008317-001 Casting #6964	NF-2 Suspension F2 and J2 Suspensions



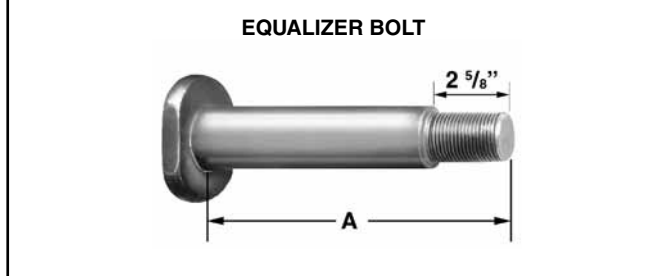
MERITOR NO.	APPLICATION	QTY.	MERITOR NO.	DESCRIPTION
R301024 (Rubber)	For "F" Series, J-2, T1 and W24T1 Air Ride Suspensions	1	R301019	Bolt
		2	R301020	Bushing
		1	R301021	Washer
		1	R302832	Washer
		1	R30937	Nut
R309361 (Poly)	Same as above except contains	2	R307432	Poly Bushings



MERITOR NO.	REPLACES	O.D.	I.D.	O.A.L.
R301020 (Rubber)	Fruehauf UXA-000004	3 1/2"	2"	4 3/8"
R307432 (Poly)				



MERITOR NO.	REPLACES	APPLICATION
R308931 (Cast)	Fruehauf UCF-006963-001	New Style equalizer. Can be used in place of fabricated R302831 steel equalizer in F2 suspensions



MERITOR NO.	REPLACES	THREAD	A
R301019	Fruehauf UXA-00015-001	1"-14	11 3/8"



MERITOR NO.	APPLICATION	QTY.	MERITOR NO.	DESCRIPTION
R309367	Fruehauf NF-2 Suspension	1	R309368	Bushing
		1	R301166	Bolt
		2	R309370	Bushing
		1	R302275	Washer
		1	R30937	Nut



MERITOR NO.	REPLACES	O.D.	I.D.	O.A.L.
R309368	Fruehauf UCF-006699-001	3 1/2"	2"	4"


FRUEHAUF EQUALIZER HARDWARE & BUSHING ASSEMBLY

EQUALIZER HANGER BUSHING



MERITOR NO.	REPLACES	O.D.	I.D.	THICKNESS
R309370	Fruehauf UCF-006703-001	3 1/8"	1"	1 1/8"

REBOUND BOLT & NUT ASSEMBLY
For Equalizer and Rear Hanger




MERITOR NO.	REPLACES	INCLUDES
R309372	Fruehauf FSP-005-03-054	1 5/8"-11 Thd. x 5" Bolt 1 5/8"-11 Thd. Nut

FRUEHAUF TORQUE ARMS & BUSHING ASSEMBLY


ADJUSTABLE

Double Clamping Bolt Design



LATE MODEL

Single Clamping Bolt Design



EARLY MODEL
(No Longer Available)

MERITOR NO.	REPLACES	FOR MODEL	MERITOR BUSHING NO.	BUSHING KIT NO.	LENGTH CENTER-TO-CENTER	NOTE
R302515	Fruehauf UCF-002640-001	"F" Series Suspensions	R30927	R301023	15 7/16"	Bushings Not Included with Torque Arm
R303763	Fruehauf UCF-002640-004				12 3/8"	

RIGID



MERITOR NO.	REPLACES	FOR MODEL	MERITOR BUSHING NO.	BUSHING KIT NO.	LENGTH CENTER-TO-CENTER	NOTE
R302514	Fruehauf UXA-000026-001	"F" Series Suspensions	R30927	R301023	15 7/16"	Bushings not Included with Torque Arm


TORQUE ARM BUSHING ASSEMBLY



↑
1" Spacer used when using R307637 Bolt

MERITOR NO.	APPLICATION	QTY.	MERITOR NO.	DESCRIPTION
R301023 (Rubber)	For all "F" Series, J-2, NF-2 and NT Suspensions	1	R301018	Bolt
		2	R30927	Bushing
		1	R301074	Washer
		1	R302833	Washer
		1	R30937	Nut
R309362 (Poly)		Same as above except contains		
		2	R307433	Poly Bushings

TORQUE ARM BOLT



MERITOR NO.	REPLACES	THREAD	LENGTH
R301018	Fruehauf UXA-000016	1"-14	6"
R307637	Fruehauf UXA-000016-000	1"-14	7"

TORQUE ARM BUSHING



MERITOR NO.	REPLACES	O.D.	I.D.	O.A.L.
R30927 (Rubber)	Fruehauf UXA-000011	2 3/16"	1 1/4"	2 3/8"
R307433 (Poly)				

FRUEHAUF "F" SERIES AXLE ATTACHING PARTS

SPRING SADDLE



MERITOR NO.	REPLACES	FOR MODEL	APPLICATION
R302840	Fruehauf UCE-008801-001 (New) UCD-007601-007 (Old)	F-1 F-2, F-2W F-3 NF-2, NT	For Multi-Leaf Springs Only

SPRING SADDLE



7 1/4" x 3" x 2" Dim.

MERITOR NO.	REPLACES	FOR MODEL	APPLICATION
R302839	Fruehauf UCC-005998-001	F-1 F-2 F-2W F-3	For Single Leaf Springs Only

**DELRIN LINER
BOTTOM PAD**



Bottom Pad Has Hole For Center Bolt

MERITOR NO.	REPLACES	FOR MODEL	APPLICATION
R302842	Fruehauf UCD-006632-002	F-1 F-2 F-2W F-3	For Single Leaf Springs Only

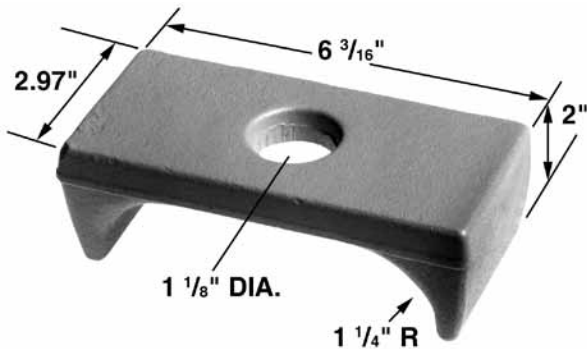
SPRING SPACER



6 5/8" x 3" x 1 1/2" Dim.

MERITOR NO.	REPLACES	FOR MODEL
R302838	Fruehauf UXA-000048	F-1, F-2, F-2W, F-3

SPRING CHAIR



For Round Axle
S.O.S. = R30PPFRUACF8391-1

Picture is
For Square Axle

MERITOR NO.	REPLACES	FOR MODEL
R302837	Fruehauf AXA-000512-001	F-1, F-2, F-2W, F-3

AXLE BRACKET





For Round Axle S.O.S. = FRUUXA0028

MERITOR NO.	REPLACES	FOR MODEL
R302836	Fruehauf AXA-000495-001	F-1, F-2, F-2W, F-3


FRUEHAUF NF-2 AND NT SPRING HANGERS


FRONT HANGER	MERITOR NO.	REPLACES
 <p>10.5" 8.875" 3.5" Between</p>	R309363	Fruehauf UCF-006668-001
REAR HANGER	MERITOR NO.	REPLACES
	R309365	Fruehauf UCF-005858-002 For 1, 3, 4 Leaf Springs


CENTER HANGER	MERITOR NO.	REPLACES
	R309364	Fruehauf UCF-006672-001
BOTTOM PLATE - 5" AXLE		
		
MERITOR NO.	REPLACES	APPLICATION & GENERAL INFORMATION
R307636	Fruehauf UCF-006696-001 Hutchens 7747-01	Fruehauf NF-2 Suspension and H-7700, CH-7700, H-9700 and CH-9700 Suspensions


1

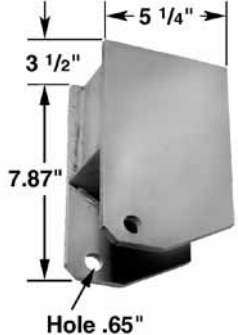
FRUEHAUF "F" SERIES SPRING HANGERS

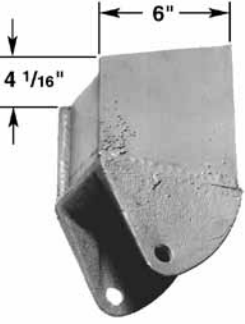
FRONT WIDE-BASE UNDER MOUNT	MERITOR NO.	REPLACES
	R302822	Fruehauf UCF-001466-001

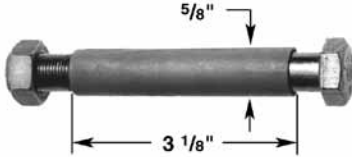
FRONT STANDARD UNDER MOUNT	MERITOR NO.	REPLACES
 19 5/8" Long	R302826	Fruehauf UCF-002467-001

CENTER WIDE-BASE UNDER MOUNT	MERITOR NO.	REPLACES
	R302823	Fruehauf UCE-007746-001

CENTER STANDARD UNDER MOUNT	MERITOR NO.	REPLACES
	R302827	Fruehauf UXA-000034

REAR WIDE-BASE UNDER MOUNT	MERITOR NO.	REPLACES
	R302824	Fruehauf UCF-005858-001 For 1, 3, 4 Leaf Springs



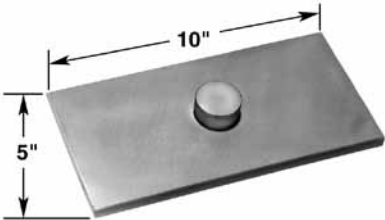

REAR STANDARD UNDER MOUNT	MERITOR NO.	REPLACES
	R302828	Fruehauf UCF-002470-001



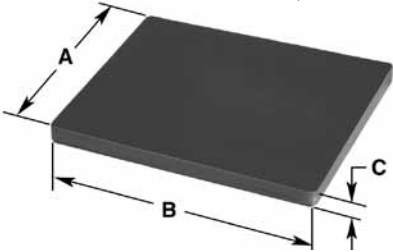

SPACER ASSEMBLY For Standard Rear Hanger				
				

MERITOR NO.	REPLACES	QTY.	DIMENSIONS	DESCRIPTION
R302829	Fruehauf FSP-005-03-012	1	5/8"-18 x 5 1/4"	Bolt
	FSP-006-02-PK6	1	5/8"-18 Thd.	Nut
	UXA-000020-001	1	—	Spacer

1

FRUEHAUF D2/M2 SUSPENSION PARTS

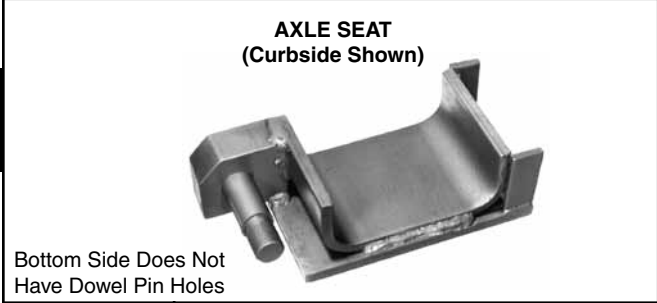
UPPER TRUNNION HALF				
				
MERITOR NO.	REPLACES	APPLICATION		
R303577	Fruehauf UCD-005755-001	M2 Overslung and Underslung		
TRUNNION BUSHING				
				
MERITOR NO.	REPLACES	O.D.	I.D.	LENGTH
R303579 (Rubber)	Fruehauf UXA-000160	5"	4"	8 5/16"
R308663 (Poly)	Fruehauf UXA-000160-SPX			
AXLE LOCATING PLATE				
				
1/2" Thick				
MERITOR NO.	REPLACES	APPLICATION		
R303581	Fruehauf UCE-001350-001	D2/M2 Overslung and Underslung		
SPRING END CAP				
				
MERITOR NO.	REPLACES	APPLICATION		
R303583	Fruehauf ACD-006849-001	M2 Overslung and Underslung		

LOWER TRUNNION HALF				
				
N/A = Part no longer available				
MERITOR NO.	REPLACES	APPLICATION		
R303578	Fruehauf UCD-005631-001	M2 Overslung and Underslung		
N/A		Special Heat Treatment for Extremely Heavy-Duty Applications		
AXLE BRACKET				
				
5" Square Axle				
MERITOR NO.	REPLACES	APPLICATION		
R303580	Fruehauf ACD-006850-001	M2 Overslung and Underslung		
SPRING END PAD, M2				
				
MERITOR NO.	REPLACES FRUEHAUF	A	B	C
R303582 (Rubber)	Fruehauf UCD-005635-001	4 3/4"	7 5/8"	1"
R308664 (Poly)				
SPRING TOP PAD				
				
MERITOR NO.	REPLACES	APPLICATION		
R303576	Fruehauf UCD-005641-001	M2 Overslung and Underslung		

FRUEHAUF T1 & W24T1 AIR RIDE PARTS

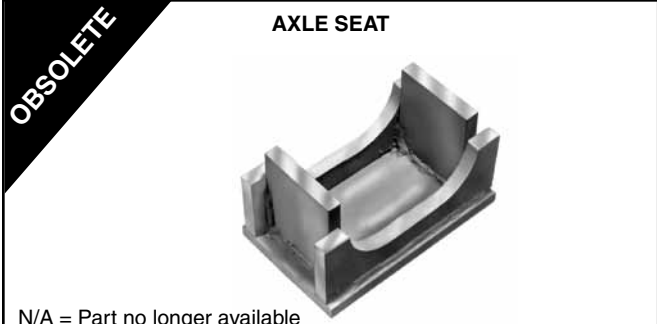


MERITOR NO.	REPLACES	APPLICATION
R303586 (Roadside)	Fruehauf UCE-001177-001	T1 and W24T1
R303587 (Curbside)	Fruehauf UCE-001177-002	



MERITOR NO.	REPLACES	APPLICATION
R303588 (RH - Curbside)	Fruehauf UCE-001660-001	T1
R303589 (LH - Roadside)	Fruehauf UCE-001660-002	

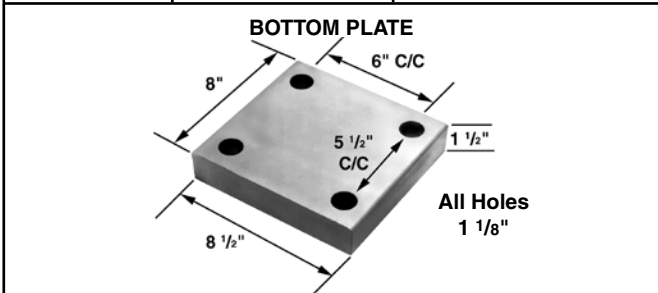
OBSOLETE



MERITOR NO.	REPLACES	APPLICATION
N/A	Fruehauf APA-000980-001	W24T1



MERITOR NO.	REPLACES	APPLICATION
R303594 (Roadside)	Fruehauf UCE-001874-001	W24T1
R303595 (Curbside)	Fruehauf UCE-001874-002	



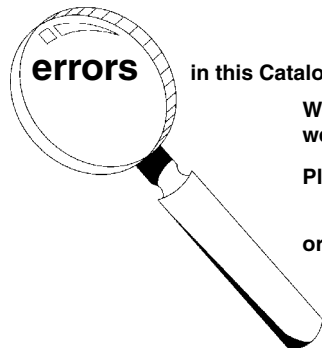
MERITOR NO.	REPLACES	APPLICATION
R303590	Fruehauf UCE-004461-001	T1



MERITOR NO.	REPLACES	APPLICATION
R303596	Fruehauf UCE-001656-001	T1 and W24T1

NOTES

If you detect any



errors

in this Catalog, please let us know.

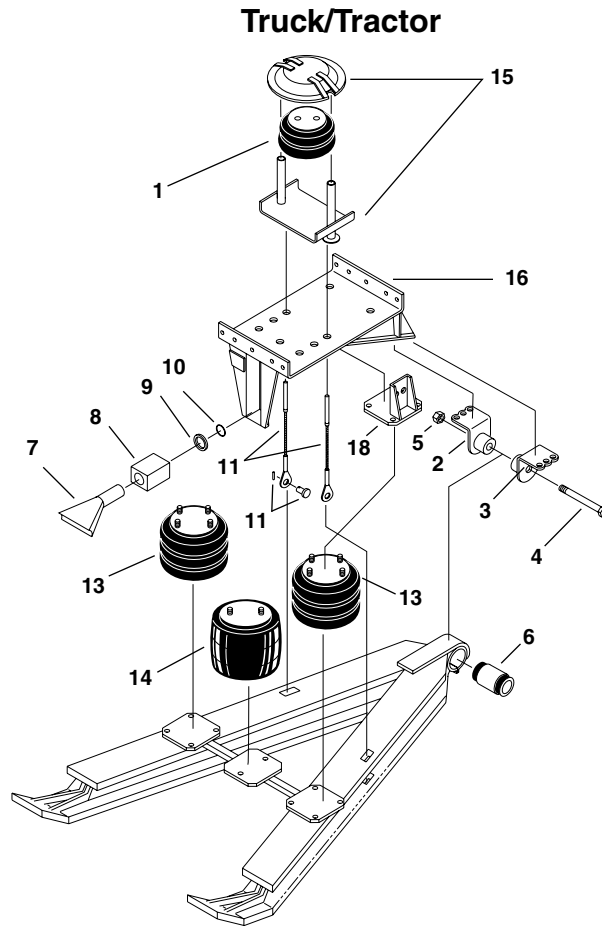
We want the information to be as accurate as possible;
we appreciate your help in making it so.

Please e-mail any comments/suggestions/corrections to
us at: catalogfeedback@arvinmeritor.com

or mail to:



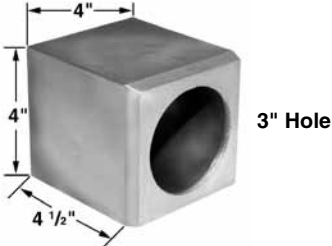

ArvinMeritor, Inc.
Attn: Catalog Dept.
7975 Dixie Highway
Florence, KY 41042-2754





GRANNING T-200AX HIGH LIFT AIR SUSPENSION



KEY NO.	MERITOR NO.	REPLACES GRANNING NO.	DESCRIPTION	QUANTITY PER SUSPENSION	PAGE NO.
1	FS7443	1218	Air Spring Assembly, Double Convoluted	1	—
2	R309373	1005	Anchor, Pulling Point, Right Hand	1	1-75
3	R309374	1029	Anchor, Pulling Point, Left Hand	1	1-75
—	R309375	—	Pulling Point Bushing Assembly Includes Key Nos. 6, 7, 8	1	1-75
4	R309376	10899	Bolt, Pulling Point Anchor	1	2-33
5	R004961A	—	Nut, Pulling Point Anchor	1	2-34
6	R301340	—	Bushing, Pulling Point	1	2-50
	R301341A	1003	Bushing, Pulling Point	1	2-50
7	R309377	1118	Spindle, Rear	1	1-75
8	R309378	1219	Travel Block	1	1-75
9	R309379	1010	Spacer, Travel Block	As Required	1-75
10	R309380	1426	Lock Ring	1	1-75
11	R309381	3703	Lift Cable Assembly Includes Key Nos. 13, 14	2	1-75
13	FS7818	1014	Air Spring Assembly, Triple Convoluted	2	—
14	FS9083	1359	Air Spring Assembly, Rolling Lobe	1	—
15	S.O.S.	1390	Lift Dome Assembly	1	—
16	S.O.S.	2202	Frame	1	—

GRANNING T-200AX HIGH LIFT AIR SUSPENSION PARTS

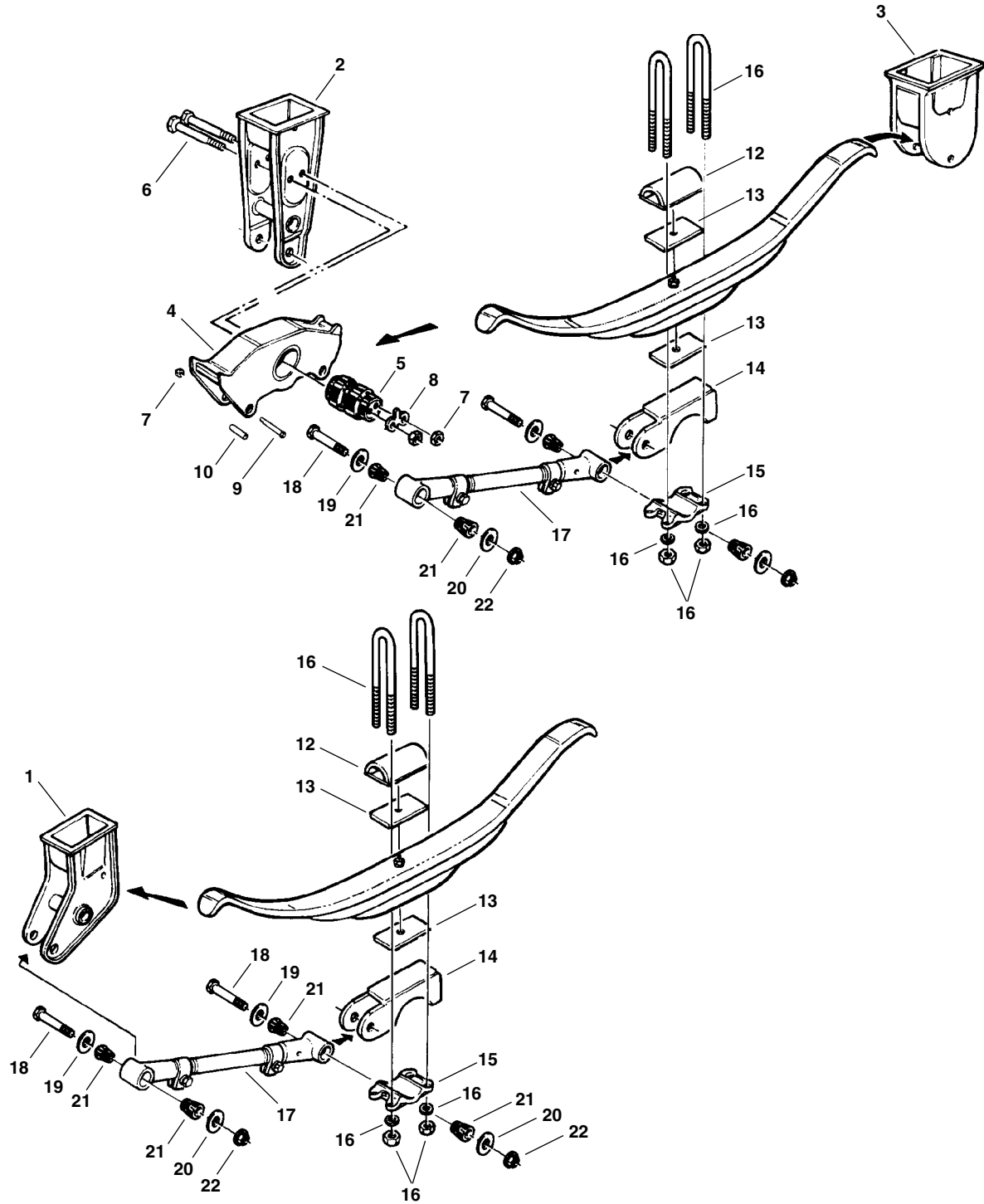
PULLING POINT ANCHOR, LEFT HAND				
				
MERITOR NO.	REPLACES	APPLICATION		
R309374	Granning 1029 703040-01	T-200AX Lift Suspension		
PULLING POINT BUSHING ASSEMBLY				
				
MERITOR NO.	REPLACES	QTY.	MERITOR NO.	DESCRIPTION
R309375	Granning 3703	1	R309376	Bolt
		1	R004961A	Nut
		1	R301341A	Bushing
TRAVEL BLOCK				
				
MERITOR NO.	REPLACES	APPLICATION		
R309378	Granning 1219	T-200AX Lift Suspension		
TRAVEL BLOCK LOCK RING				
				
MERITOR NO.	REPLACES	DIMENSIONS		
R309380	Granning 1426	2 3/4" I.D.		

PULLING POINT ANCHOR, RIGHT HAND			
			
MERITOR NO.	REPLACES	APPLICATION	
R309373	Granning 1005 703040-02	T-200AX Lift Suspension	
REAR SPINDLE			
			
MERITOR NO.	REPLACES	APPLICATION	
R309377	Granning 1118	T-200AX Lift Suspension	
TRAVEL BLOCK SPACER			
			
MERITOR NO.	REPLACES	DIMENSIONS	
R309379	Granning 1010	3" I.D. x 4" O.D. x 7/32" Thick	
LIFT CABLE ASSEMBLY			
			
MERITOR NO.	REPLACES	QTY.	DESCRIPTION
R309381	Granning 3703	1 1	Lift Cable Lock Pin with Cotter Pin

1

GREAT DANE TRAILER SUSPENSION

Model "H" Trailer



1

GREAT DANE TRAILER SUSPENSION PARTS

Model "H"

Trailer

KEY NO.	MERITOR NO.	REPLACES GREAT DANE NO.	DESCRIPTION	QUANTITY PER TANDEM	PAGE NO.
1	R309493	GDH7601-01	Front Hanger, Straddle Mount	2	1-80
	R309494	GDH7601-02	Front Hanger, Under Mount		1-80
2	R309495	GDH7602-01	Equalizer Hanger, Straddle Mount	2	1-80
	R309496	GDH7602-02	Equalizer Hanger, Under Mount		1-80
3	R302912A	GDH7703-01	Rear Hanger, Straddle Mount	2	1-80
	R302915A	GDH7703-02	Rear Hanger, Under Mount		1-80
4	R302781	750-03	Equalizer, Heavy-Duty Version	2	1-78
	R302781A	750-03	Equalizer, OE Equivalent		
	R309570	750-03	Equalizer, Standard Duty		
	R307918	750-03	Equalizer with Poly Bushing		
5	R301999A (Rubber)	7010-00	Equalizer Bushing	2	1-78
	R307452 (Poly)				
6	R302000	7016-01	Equalizer Center Bolt	4	1-79
—	R302003 (Rubber)	—	Equalizer Bushing Assembly Includes Key Nos. 5, 6, 7, 8	2	1-78
	R309474 (Poly)				
7	R302002	37-01	Equalizer Nut	8	2-34
8	R302001	729-00	Lock Tab	2	1-79
9	R303415	759-00	Equalizer Rebound Bolt	4	2-32
10	R303416	756-00	Equalizer Rebound Spacer	4	1-78
—	R303414	—	Equalizer Bolt Kit Includes Key Nos. 6, 7, 8, 9, 10, 11	2	1-78
12	R302907A	7029-00	U-Bolt Top Plate	4	1-79
13	R302842	7052-02	Delrin Spring Liner Pad	8	1-68
14	R309527	GDH7617-01	Spring Seat, 3/4" High	4	1-79
	R309528	GDH7617-02	Spring Seat, 2 1/4" High		
	R309529	GDH7617-03	Spring Seat, 3 1/4" High		
15	R302909	710-00	Bottom Plate, 5" Round	4	1-79
16	R30U8161-14	7040-12	U-Bolt Assembly, Rd. Bend, 7/8"-14 Thd. x 3" Wide x 14" Long	8	2-25
		7040-13			
	R30U8161-16	7040-16	U-Bolt Assembly, Rd. Bend, 7/8"-14 Thd. x 3" Wide x 16" Long		2-25
		7040-18			
R30U8161-18	7040-20	U-Bolt Assembly, Rd. Bend, 7/8"-14 Thd. x 3" Wide x 18" Long	2-25		
17	R309476	16167-04	Adjustable Torque Arm	2	1-79
	R309477	GDH11953-01	Rigid Torque Arm	2	1-79
—	R309478 (Rubber)	—	Torque Arm Bushing Assembly Includes Key Nos. 18, 19, 20, 21, 22	8	1-78
	R309479 (Poly)				
18	R309480	GDH12709-01	Torque Arm Step Bolt	8	1-79
19	R302833	GDH12710-01	Washer	8	2-35
20	R309482	GDH12711-01	Washer	8	1-78
21	R30927 (Rubber)	GDH7620-00	Torque Arm Bushing	16	1-78
	R307433 (Poly)				
22	R301835	GDH34-02	Torque Arm Nut	8	2-34

1

GREAT DANE SUSPENSION PARTS

EQUALIZER



*Wider liner plates
** Includes R301999A Bushing

MERITOR NO.	REPLACES	APPLICATION
R302781*	Great Dane 750-03	Heavy-Duty**
R302781A		OE Equivalent**
R309570		Standard Duty**
R307918		R302781A with R307452 Poly Bushing

EQUALIZER BUSHING ASSEMBLY



MERITOR NO.	REPLACES	FOR MODEL	QTY.	MERITOR NO.	DESCRIPTION
R302003 (Rubber)	—	H	1	R301999A	Bushing
R309474 (Poly)			2	R302000	Bolt
			1	R302001	Tab Lock
			2	R302002	Nut

TORQUE ARM BUSHING ASSEMBLY



MERITOR NO.	REPLACES	FOR MODEL	QTY.	MERITOR NO.	DESCRIPTION
R309478 (Rubber)	—	H	1	R309480	Bolt
			1	R301835	Nut
			1	R302833	Washer
			1	R309482	Washer
R309479 (Poly)			2	R30927	Bushing or (Rubber) Bushing
			2	R307433 (Poly)	Bushing

EQUALIZER BUSHING



MERITOR NO.	REPLACES	FOR MODEL
R301999A (Rubber)	Great Dane 7010-00	H
R307452 (Poly)		

EQUALIZER BOLT KIT



MERITOR NO.	REPLACES	FOR MODEL	QTY.	MERITOR NO.	DESCRIPTION
R303414	—	H	2	R302000	Bolt
			1	R302001	Tab Lock
			2	R302002	Nut
			2	R303415	Rebound Bolt
			2	R303416	Spacer Sleeve

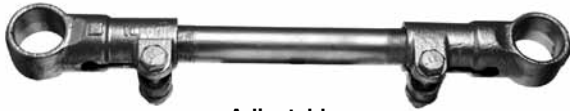
TORQUE ARM BUSHING



MERITOR NO.	REPLACES	FOR MODEL	O.D.	I.D.	LENGTH
R30927 (Rubber)	Great Dane GDH7620-00	H	2 3/16"	1 1/4"	2 3/8"
R307433 (Poly)					

GREAT DANE SUSPENSION PARTS

TORQUE ARMS



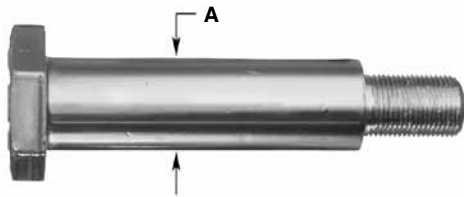
Adjustable



Rigid

MERITOR NO.	REPLACES	FOR MODEL	MERITOR BUSHING NO.	LENGTH Center-to-Center
R309476 (Adjustable)	Great Dane 16167-04	H	R30927	19 1/4"
R309477 (Rigid)	Great Dane 11953-01			

TORQUE ARM STEP BOLT



7/8" -14 Thread

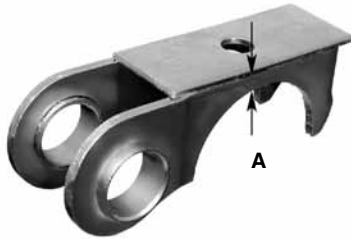
MERITOR NO.	REPLACES	FOR MODEL	LENGTH	A
R309480	Great Dane GDH12709-01	H	6 5/8"	1 1/4"

BOTTOM PLATE



MERITOR NO.	REPLACES	FOR MODEL	APPLICATION
R302909	Great Dane 710-00	H	For Standard Suspension. Not for use with No-Hop Feature

SPRING SEAT



MERITOR NO.	REPLACES	FOR MODEL	A
R309527	Great Dane 7617-01	H	3/4" High
R309528	Great Dane 7617-02	H	2 1/4" High
R309529	Great Dane 7617-03	H	3 1/4" High

U-BOLT TOP PLATE



MERITOR NO.	REPLACES	FOR MODEL	WIDTH	LENGTH
R302907A	Great Dane 7029-00	H	3"	7 1/2"

TAB LOCK



MERITOR NO.	REPLACES	FOR MODEL
R302001	Great Dane 729-00	Model "H"

EQUALIZER STEP BOLT



MERITOR NO.	REPLACES	FOR MODEL	THD.	DIA.	LENGTH
R302000	Great Dane 7016-01	Model "H"	5/8"- 18	3/4"	6"

GREAT DANE SUSPENSION PARTS

FRONT HANGER STRADDLE MOUNT



FRONT HANGER UNDER MOUNT



MERITOR NO.	REPLACES	FOR MODEL
R309493	Great Dane GDH7601-01	H

MERITOR NO.	REPLACES	FOR MODEL
R309494	Great Dane GDH7601-02	H

EQUALIZER HANGER STRADDLE MOUNT



EQUALIZER HANGER UNDER MOUNT



MERITOR NO.	REPLACES	FOR MODEL
R309495	Great Dane GDH7602-01	H

MERITOR NO.	REPLACES	FOR MODEL
R309496	Great Dane GDH7602-02	H

REAR HANGER STRADDLE MOUNT



REAR HANGER UNDER MOUNT



MERITOR NO.	REPLACES	FOR MODEL
R302912A	Great Dane GDH7703-01	H

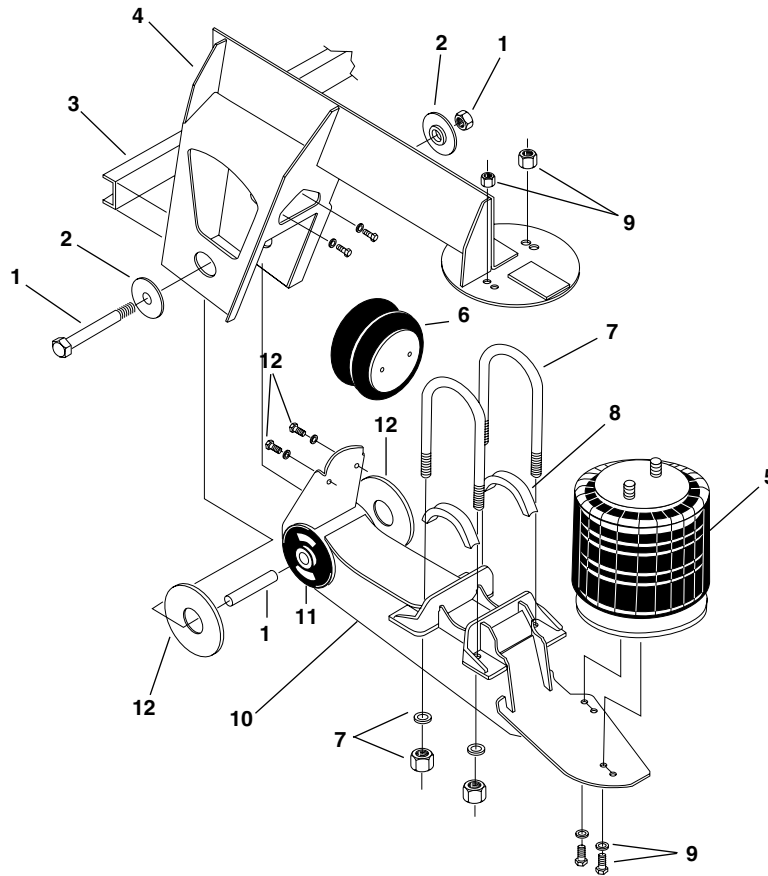
MERITOR NO.	REPLACES	FOR MODEL
R302915A	Great Dane GDH7703-02	H

NOTES

Empty rectangular box for notes.

HENDRICKSON AUXILIARY HLM, HLM-1, HLM-1-TR SUSPENSION

Lift-Truck/Tractor



KEY NO.	MERITOR NO.	REPLACES HENDRICKSON NO.	DESCRIPTION	QUANTITY PER AXLE	HLM	HLM-1	HLM-1-TR	PAGE NO.
1	R303768	S-3646	Pivot Bolt Kit	2	X	X	X	1-226
2	R303771	S-2770	Alignment Collar	4	X	X	X	1-226
3	S.O.S.	A-1631-19	Side Rail Cross Channel	1	X	X	X	—
4	S.O.S.	C-13091-1	Side Rail Assembly, Roadside	1	X			—
	S.O.S.	C-13091-2	Side Rail Assembly, Curbside	1	X			
	S.O.S.	C-14200-1	Side Rail Assembly, Roadside	1			X	
	S.O.S.	C-14200-2	Side Rail Assembly, Curbside	1			X	
	S.O.S.	C-14208-1	Side Rail Assembly, Roadside	1		X		
	S.O.S.	C-14208-2	Side Rail Assembly, Curbside	1		X		
5	FS9367	S-14249	Air Spring (Ride)	2	X	X	X	—
6	FS6935	S-14318	Air Spring (Lift)	2	X	X	X	—
7	R30U8168-082	S-20032/4	U-Bolt Assembly, Rd. Bend, 7/8"-14 Thd. x 6" Wide x 8 1/4" Long	4	X	X	X	2-26
8	R306124	S-20701	Axle Spacer	4	X	X	X	1-226
9	S.O.S.	S-1981/2	Air Spring Bolt Kit	2	X	X	X	—
10	S.O.S.	D-13103-1	Beam Assembly, Roadside	1	X			—
	S.O.S.	D-13103-2	Beam Assembly, Curbside	1	X			
	S.O.S.	D-001907-1	Beam Assembly, Roadside	1		X	X	
	S.O.S.	D-001907-2	Beam Assembly, Curbside	1		X	X	
11	R306121	A-6914	Tri-Functional Bushing Kit, Includes Key Nos. 1, 11, 12	2	X	X	X	1-225
12	R306122	S-21099	Bushing Wear Pad	4	X	X	X	1-226

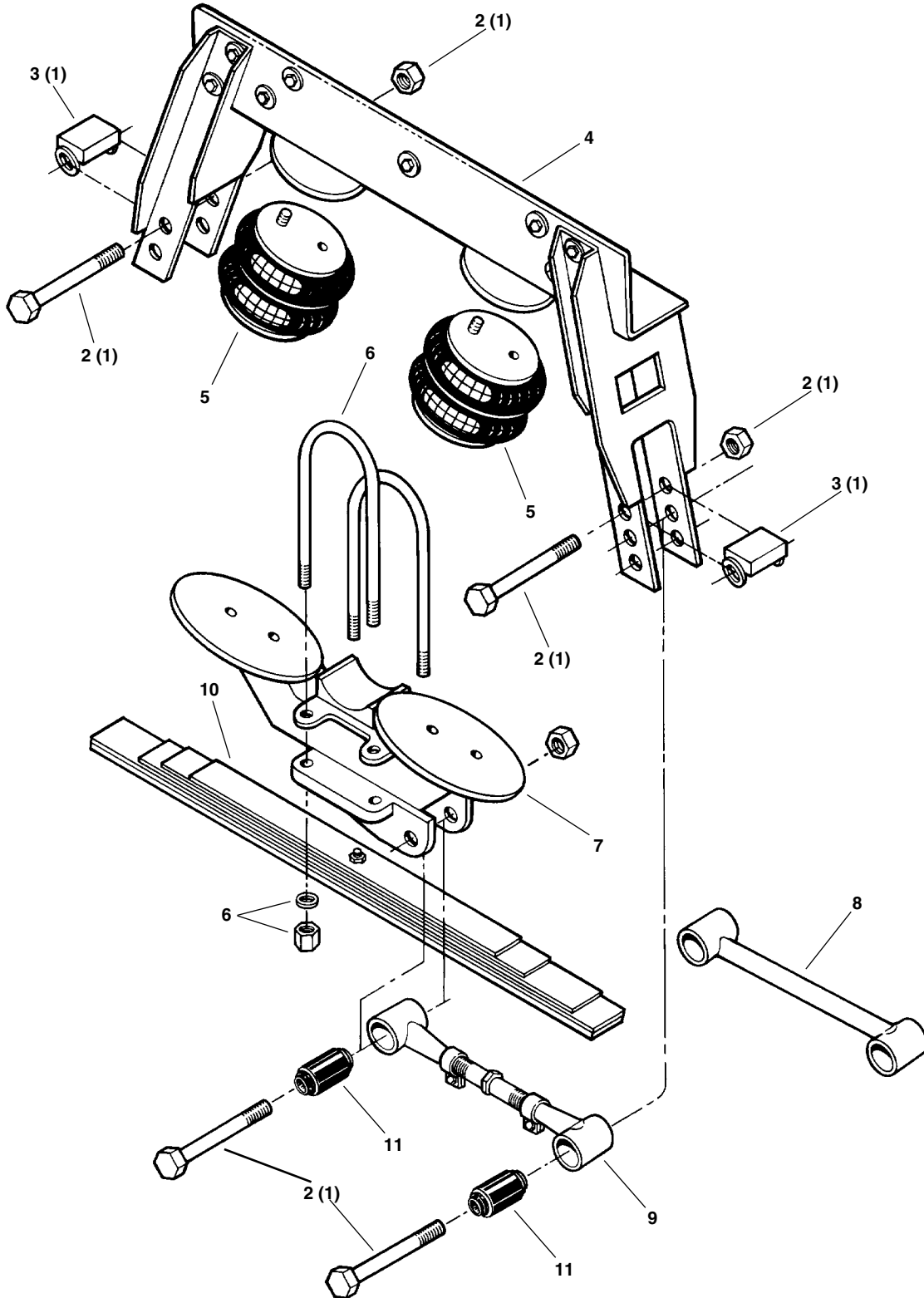
S.O.S. = Available through Meritor's S.O.S. Department

NOTES

Empty rectangular box for notes.

HENDRICKSON AUXILIARY HLQ, Q SERIES SUSPENSION

Lift-Truck/Tractor



HENDRICKSON AUXILIARY HLQ, Q SERIES SUSPENSION PARTS

Lift-Truck/Tractor

KEY NO.	MERITOR NO.	REPLACES HENDRICKSON NO.	DESCRIPTION	QUANTITY PER AXLE	Q-AH HLQ-AH	Q-LF HLQ-LF	Q-SR HLQ-SR	PAGE NO.
1	R303779	S-1156	Slider Block Assembly Includes Key Nos. 2, 3	4	X	X		1-226
2	Part of R301981	S-1126	Radius Rod Bolt Kit	2	X	X	X	1-226
3	R303779	S-1156	Slider Block Assembly	2	X	X		1-226
	R303777	S-1367						X
4	S.O.S.	D-1152-1	Side Rail Assembly, Curbside	1			X	—
	S.O.S.	D-1152-2	Side Rail Assembly, Roadside	1			X	
	S.O.S.	D-1257-1	Side Rail Assembly, Curbside	1		X		
	S.O.S.	D-1257-2	Side Rail Assembly, Roadside	1		X		
	S.O.S.	D-1268-1	Side Rail Assembly, Curbside	1	X			
	S.O.S.	D-1268-2	Side Rail Assembly, Roadside	1	X			
5	FS7403	S-1159	Air Spring	4	X	X	X	—
6	N/A	—	U-Bolt Assembly, Rd. Bend, 7/8"-14 Thd. x 6" Wide x 9 1/2" Long	4		X		—
	R30U8165-12	S-1135	U-Bolt Assembly, Rd. Bend, 7/8"-14 Thd. x 5" Wide x 12" Long		x		x	2-26
7	S.O.S.	C-3334	Lower Arm Assembly	2	X			—
	S.O.S.	C-7565				X		
	S.O.S.	C-3419					X	
8	R303773	S-1031	Nonadjustable Radius Rod, 15 1/2"	1			X	1-227
	R303774A2	S-1031-1	Nonadjustable Radius Rod, 19"		X			
9	R302513	S-1032-1	Adjustable Radius Rod, 18 1/2" - 21 3/8"	1	X			1-227
	R302512	S-1032-2	Adjustable Radius Rod, 14" - 18 1/2"				X	
10	S.O.S.	C-1733	Return Spring Assembly	2	X			—
	S.O.S.	C-1012				X		
	S.O.S.	B-1152					X	
11	R301980 (Rubber)	S-1712	Torque Rod Bushing	4	X	X	X	2-48
—	R301981	—	Torque Rod Bushing Assembly Includes Key Nos. 2, 11	4	X	X	X	1-226
—	S.O.S.	A-1276	Air Spring Bolt Kit	4	X	X	X	—
—	S.O.S.	A-1631	C-Channel, 3" x 30"	1	X	X	X	—
—	S.O.S.	A-1633	Frame Bracket Brace	2	X	X	X	—
—	S.O.S.	A-7568	Axle Seat	2		X		—
—	S.O.S.	C-11253	Radius Rod Bracket (Casting)	2	X		X	—
—	S.O.S.	C-7557	Fabricated Drop Axle Assembly	1		X		—
—	S.O.S.	S-1132	Shackle Bolt Kit	2		X		—

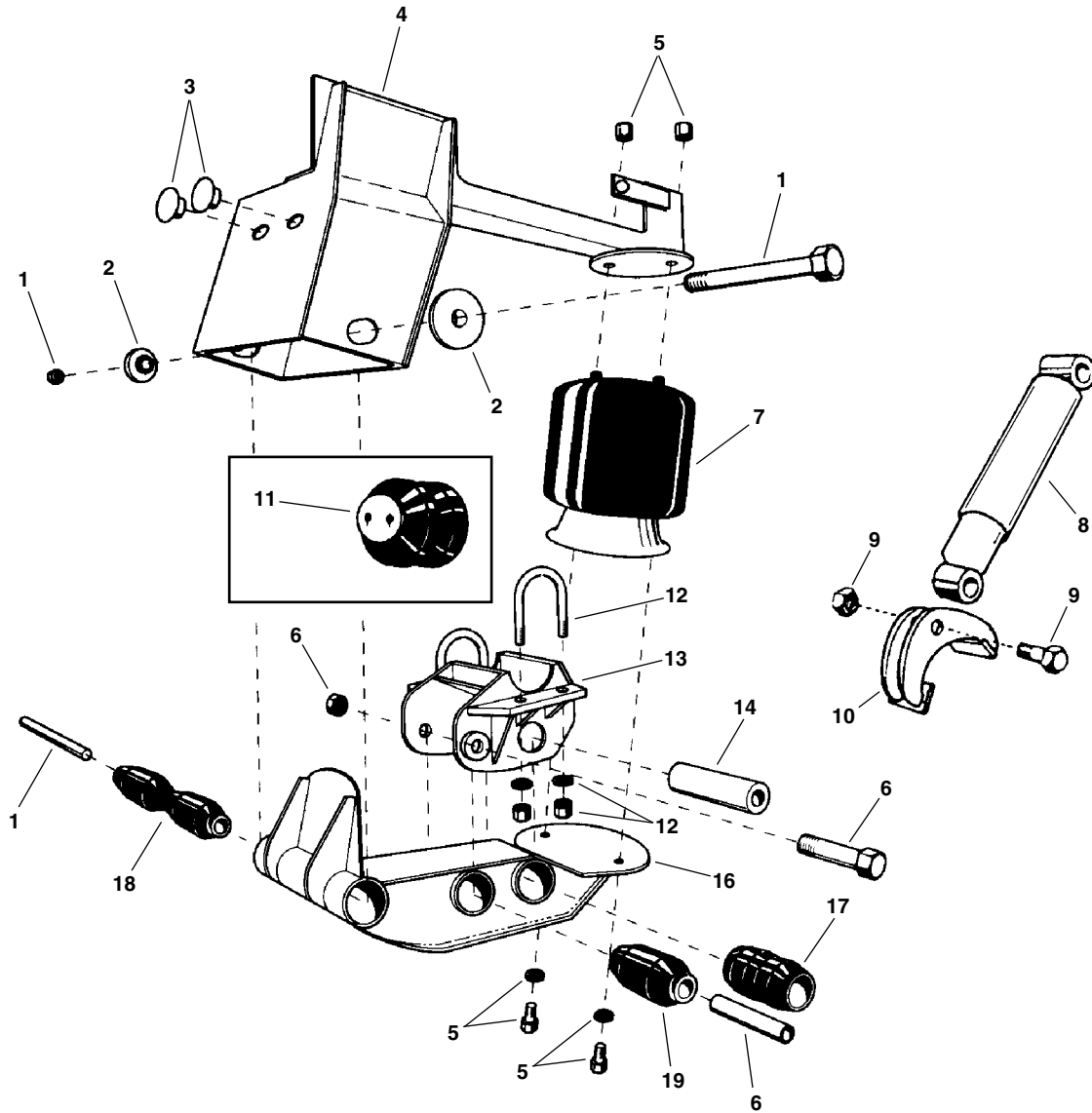
* Dimension is Center-to-Center Length

S.O.S. = Available through Meritor's S.O.S. Department

N/A = Part No Longer Available

HENDRICKSON AUXILIARY MT45, MTL45, MTL50 SUSPENSION

Lift-Trailer



1

HENDRICKSON AUXILIARY MT45, MTL45, MTL50 SUSPENSION PARTS

Lift-Trailer

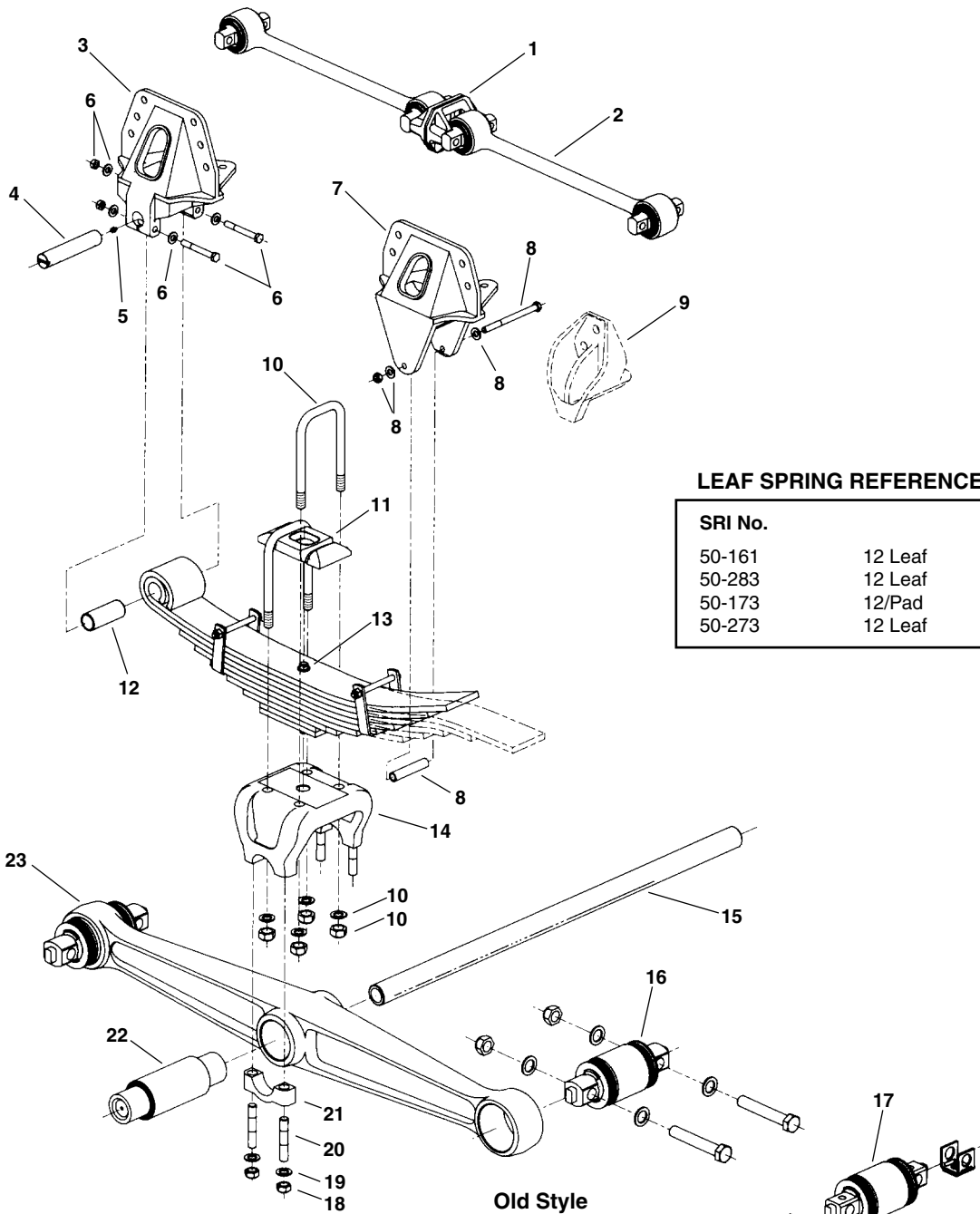
KEY NO.	MERITOR NO.	REPLACES HENDRICKSON NO.	DESCRIPTION	QUANTITY PER AXLE	MT-45	MTL-45	MTL-50	PAGE NO.
1	R306129	S-3142	Pivot Bolt Kit	2	X	X	X	1-226
2	R303771	S-2770	Alignment Collar	4	X	X		1-226
	R306131	S-2848					X	
3	S.O.S.	A-4710	Plastic Bolt Hole Plug	4	X	X	X	—
4	S.O.S.	C-12350-1	Side Rail Assembly, Roadside	1	X			—
	S.O.S.	C-12350-2	Side Rail Assembly, Curbside	1	X			
	S.O.S.	C-11728-1	Side Rail Assembly, Roadside	1		X		
	S.O.S.	C-11728-2	Side Rail Assembly, Curbside	1		X		
	S.O.S.	C-11728-1(New) C-6015-1 (Old)	Side Rail Assembly, Roadside	1			X	
S.O.S.	C-11728-2(New) C-6015-2 (Old)	Side Rail Assembly, Curbside	1			X		
5	S.O.S.	S-1981	Air Spring Bolt Kit (Ride)	2	X	X	X	—
6	R306130	A-3141	Alignment Bolt Kit	2	X	X	X	1-226
7	FS9367	S-4375 (Old)	Air Spring	2	X	X	X	—
		S-14249 (New)			X	X	X	
8	85000	S-1667	Fleetline Shock Absorber	2	X	X	X	3-14
	89436	S-1667	GasSLX Shock Absorber					
9	S.O.S.	A-12355	Shock Bolt Kit	1	X			—
10	S.O.S.	B-3896	Lower Shock Bracket Assembly	2	X			—
11	FS6902	S-2630	Air Spring (Lift)	2		X	X	—
12	R30U8165-076	S-3139	U-Bolt Assembly, Rd. Bend, 7/8"-14 Thd. x 5" Wide x 7 3/4" Long	4	X	X	X	2-26
13	S.O.S.	C-6042	Axle Seat Assembly	2	X	X	X	—
14	N/A	A-6041-3	Shaft	2	X	X		—
		B-3111-2	Shaft				X	
16	S.O.S.	D-11679-1	Beam with Bushings, Roadside	1	X	X		—
	S.O.S.	D-11679-2	Beam with Bushings, Curbside	1	X	X		
	S.O.S.	D-6200-1	Beam with Bushings, Roadside	1			X	
	S.O.S.	D-6200-2	Beam with Bushings, Curbside	1			X	
17	R306128	S-2159-1	Bushing	2	X	X	X	1-225
18	R306126	S-2841	Pivot Bushing	2	X	X	X	1-225
19	R306127	S-2841-1	Bushing	2	X	X	X	1-225
—	S.O.S.	A-1631-1	C-Channel 3" x 20"	1			X	—
—	S.O.S.	A-1633-1	Frame Bracket Brace	2			X	—
—	S.O.S.	A-2849	Air Spring Bolt Kit (Lift)	2		X	X	—

S.O.S. = Available through Meritor's S.O.S. Department

N/A = Part No Longer Available

HENDRICKSON U2/UE2-340 SUSPENSION

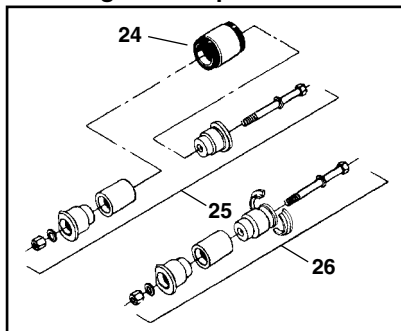
Truck/Tractor



LEAF SPRING REFERENCES

SRI No.	
50-161	12 Leaf
50-283	12 Leaf
50-173	12/Pad
50-273	12 Leaf

Old Style Bushing and Adapter Connection



OPTIONAL

1

HENDRICKSON U2/UE2-340 SUSPENSION PARTS

Truck/Tractor

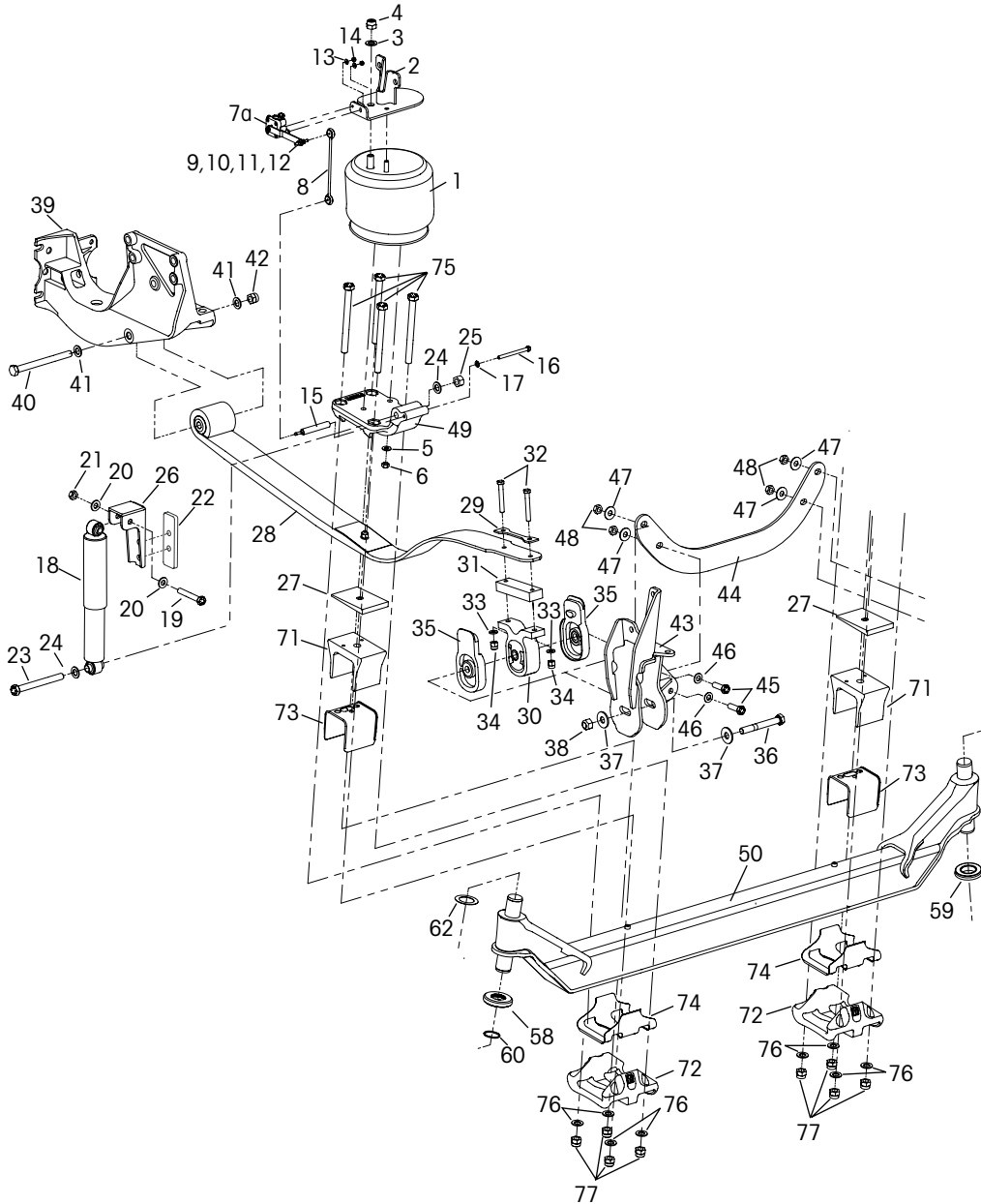
KEY NO.	MERITOR NO.	REPLACES HENDRICKSON NO.	CASTING NO.	DESCRIPTION	QUANTITY PER TANDEM	U2-340	UE2-340	PAGE NO.
1	R302634	22186-000		Torque Rod Frame Bracket	2	X	X	1-214
2	See Torque Rod Section			Torque Rod Assembly	2	X	X	2-36
3	See Hanger Section			#1 Front Spring Hanger, Double Lock Bolt	2	X	X	1-202
4	R303761	43146-000L		Lock Pin, Double Groove	2	X	X	1-200
5	R301307	33117-000		Lube Fitting	2	X	X	1-200
6	R309427	29828-035		Lock Bolt Assembly	2	X	X	1-201
7	See Hanger Section			#2 Rear Spring Hanger	2	X	X	1-202
8	R309428	29828-023		Rebound Bolt & Spacer Assembly	2	X	X	1-201
9	See Hanger Section			#3 Spring Hanger, Extended Leaf Spring	2	X	X	1-201
10	R30U8264-083	22303-002		U-Bolt Assembly, Sq. Bend, 7/8"-14 Thd. x 4" Wide x 8 3/8" Long	4	X	X	2-27
11	S.O.S.	19281-001		Top Pad	2	X	X	—
12	R301877	30057-008L		Spring Eye Bushing	2	X	X	1-200
13	S.O.S.	05069-000		Spring Center Bolt	2	X	X	—
14	R301851	31017-075	43184	Saddle Assembly, 6 3/16" Height	2	X	X	1-198
	R301852	31017-076	43145	Saddle Assembly, 7 5/16" Height Includes Key Nos. 22, 23, 24, 25		X	X	1-198
15	R301840	44642-008		Cross Tube	1	X	X	1-188
16	R309325	34013-087		Bar Pin Bushing Kit	4	X	X	1-192
17	R309326	34013-088L		Bar Pin Bushing Kit, Shim Type	As Required	X	X	1-192
18	R004961A	30191-000		Nut	8	X	X	2-34
19	R302545	22962-001		Washer	8	X	X	2-35
20	R302229	23441-004		Stud	8	X	X	1-199
21	R301832	19283-002		Cap	4	X	X	1-199
22	R301338	06664-000		Center Bushing	2	X	X	1-189
—	R301594	22279-000		Center Bushing with Loose End Plug	2	X	X	1-189
23	S.O.S.	Various		Walking Beam Assembly	2	X	X	—
24	R301340	06969-000L		End Beam Bushing, Old Style	4	X	X	1-192
25	R302372	45000-013		End Beam Adapter, Old Style	4	X	X	1-193
26	R302373	45000-014		End Beam Adapter, Split Flange	4	X	X	1-193
—	R305308	34013-048L		End Beam Bushing Kit,	4	X	X	1-191

S.O.S. = Available through Meritor's S.O.S. Department

HENDRICKSON AIRTEK® FOR INTERNATIONAL VEHICLES

NEW ENGINE CONFIGURATION (PEC)

VEHICLES BUILT PRIOR 9/06 — INTERNATIONAL MODELS 9200/9400
Truck / Tractor



HENDRICKSON AIRTEK® FOR INTERNATIONAL VEHICLES

NEW ENGINE CONFIGURATION (PEC)

VEHICLES BUILT PRIOR 9/06 — INTERNATIONAL MODELS 9200/9400

Truck / Tractor

KEY NO.	MERITOR NO.	REPLACES HENDRICKSON NO.	DESCRIPTION	QTY PER AXLE	PAGE NO.
1	FS8597	65790-002L	Air Spring	2	—
2	S.O.S.	64583-000	Air Spring Bracket LH	1	—
	S.O.S.	64586-000	Air Spring Bracket RH	1	—
3	R302545	22962-001	3/4" Flat Washer	2	2-35
4	S.O.S.	17700-033	3/4" - 16 UNC Nylon Locknut	2	—
5	S.O.S.	22962-011	1/2" Hardened Washer	2	—
6	S.O.S.	17700-010	1/2" - 13 UNC Nylon Locknut	2	—
—	S.O.S.	59427-013	HCV & Linkage Assembly LH (if equipped, Includes Key No. 7-14)	1	—
	S.O.S.	59427-014	HCV & Linkage Assembly RH (Includes Key No. 7-14)		—
7a	R3013996	59935-011	Height Control Valve (if equipped)	1	1-228
	R3013997	59935-018 (New)	Height Control Valve RH (Replaces 59935-010) (Old)	1	1-228
8	S.O.S.	59428-004	HCV Linkage	2	—
9	S.O.S.	59169-000	5/16" - 18 UNC Stud	2	—
10	S.O.S.	17491-011	5/16" - 18 UNC Nut	2	—
11	S.O.S.	22962-029	5/16" Hardened Washer	2	—
12	S.O.S.	59016-000	5/16" - 18 UNC Locknut	2	—
13	S.O.S.	22962-028	1/4" Hardened Washer	4	—
14	S.O.S.	49983-000	1/4" - 20 UNC Locknut	4	—
—	S.O.S.	60961-071	Lower Link Mount Service Kit, One Side (Includes Key No. 15-17)		—
15	S.O.S.	59429-002	Lower Link Mount	2	—
16	S.O.S.	58035-006	3/8" - 16 UNC Hex Bolt - 3.5"	2	—
17	S.O.S.	22962-015	3/8" Flat washer	2	—
—	S.O.S.	60961-094	Shock Absorber Service Kit, One Side (Includes Key No. 18-25)	—	—
	S.O.S.	60961-095	Day Cab Shock Absorber Service Kit, One Side (Includes Key No. 18-25)	—	—
18	R3014397	65992-001L	Sleeper Shock Absorber	2	1-229
	R3014022	65992-002L	Day Cab Shock Absorber	2	1-229
19	S.O.S.	32043-008	5/8" - 11 UNC Upper Shock Bolt - 4.0"	2	—
20	S.O.S.	22962-004	5/8" Upper Shock Washer	4	—
21	S.O.S.	47764-000	5/8" - 11 UNC Upper Shock Locknut	2	—
22	S.O.S.	59946-001	Shock Spacer	2	—
23	S.O.S.	58917-014	3/4" - 10 UNC Lower Shock Bolt - 8.0"	2	—
24	R302545	22962-001	3/4" Lower Shock Hardened Washer	4	2-35
25	S.O.S.	49842-000	3/4" - 10 UNC Lower Shock Hex Locknut	2	—
26	S.O.S.	—	Shock Bracket	2	—
27	S.O.S.	—	Caster Wedge	2	—
29	S.O.S.	58920-000	Spring End Plate	2	—
30	S.O.S.	58918-000 (Old)	Rear Spring Mount	2	—
31	S.O.S.	65772-000	Rear Mount Spacer	2	—
32	S.O.S.	30970-001	1/2" - 20 UNF Bolt - 2.5"	4	—
33	S.O.S.	22962-014	1/2" Hardened Washer	4	—
34	S.O.S.	17700-034	1/2" - 20 UNF Nylon Locknut	4	—
35	S.O.S.	65856-000 (Old)	Thrust Washer	4	—
36	S.O.S.	58917-008	3/4" - UNC Hex Bolt - 6.0"	2	—
37	S.O.S.	22962-033	3/4" Flat Washer	4	—
38	S.O.S.	49842-000	3/4" - 10 UNC Locknut	2	—
39	S.O.S.	—	Front Hanger	2	—
40	S.O.S.	58917-016	3/4" - 10 UNC Hex Bolt - 8.5"	2	—
41	R302545	22962-001	3/4" Flat Washer	4	2-35
42	S.O.S.	17700-033	3/4" - 10 UNC Locknut	2	—

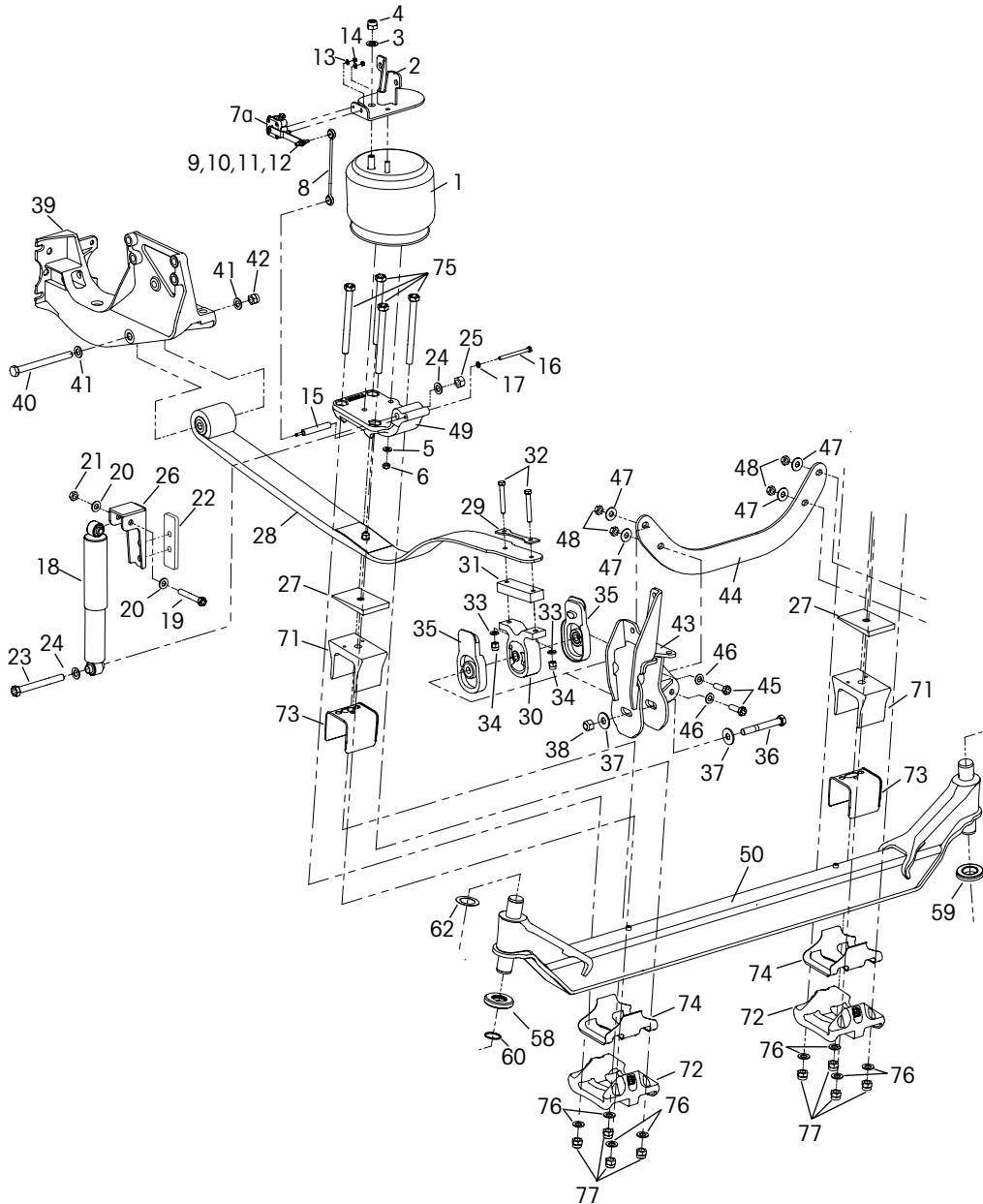
S.O.S. = Available through Meritor's S.O.S. Department

Continued Next Page

HENDRICKSON AIRTEK® FOR INTERNATIONAL VEHICLES

NEW ENGINE CONFIGURATION (PEC)

VEHICLES BUILT PRIOR 9/06 — INTERNATIONAL MODELS 9200/9400
Truck / Tractor



HENDRICKSON AIRTEK® FOR INTERNATIONAL VEHICLES

NEW ENGINE CONFIGURATION (PEC)

VEHICLES BUILT PRIOR 9/06 — INTERNATIONAL MODELS 9200/9400

Truck / Tractor

KEY NO.	MERITOR NO.	REPLACES HENDRICKSON NO.	DESCRIPTION	QTY PER AXLE	PAGE NO.
43	S.O.S.	68317-001	Rear Hanger LH	As Required	—
	S.O.S.	68317-002	Rear Hanger RH		—
	N/A	65794-000	Rear Hanger (Day Cab) Without BellyBand Attach. - Obsolete		—
44	S.O.S.	66019-000	Belly Band	1	—
45	S.O.S.	32043-006	5/8" - 11 UNC Hex Bolt - 2.0"	4	—
46	S.O.S.	22962-004	5/8" Hardened Washer - O.D. 1.3"	4	—
47	S.O.S.	22962-003	5/8" Hardened Washer - O.D. 1.75"	4	—
48	S.O.S.	47764-000	5/8" - 11 UNC Hex Locknut	4	—
49	S.O.S.	64580-000	Top Pad	2	—
—	S.O.S.	70952-0XX	Axle Assembly (Includes Key No. 50-74)	1	—
71	S.O.S.	59952-023	Top Axle Wrap	2	—
72	S.O.S.	64722-003	Bottom Axle Wrap	2	—
—	—	60961-110	Top/Bottom Axle Wrap Liner Service Kit, (Includes Key No 73-77)	As Required	—
73	S.O.S.	65757-000	Top Axle Wrap Liner	2	—
74	S.O.S.	59845-000	Bottom Axle Wrap Liner	2	—
75	S.O.S.	58917-016	3/4" - 10 UNC Hex Bolt - 8.5"	8	—
76	R302545	22962-001	3/4" Flat Washer	8	2-35
77	S.O.S.	17700-033	3/4" - 10 UNC-2B Nylon Locknut	8	—
78	S.O.S.	64246-000	ABS Sensor Sleeve	2	—

S.O.S. = Available through Meritor's S.O.S. Department

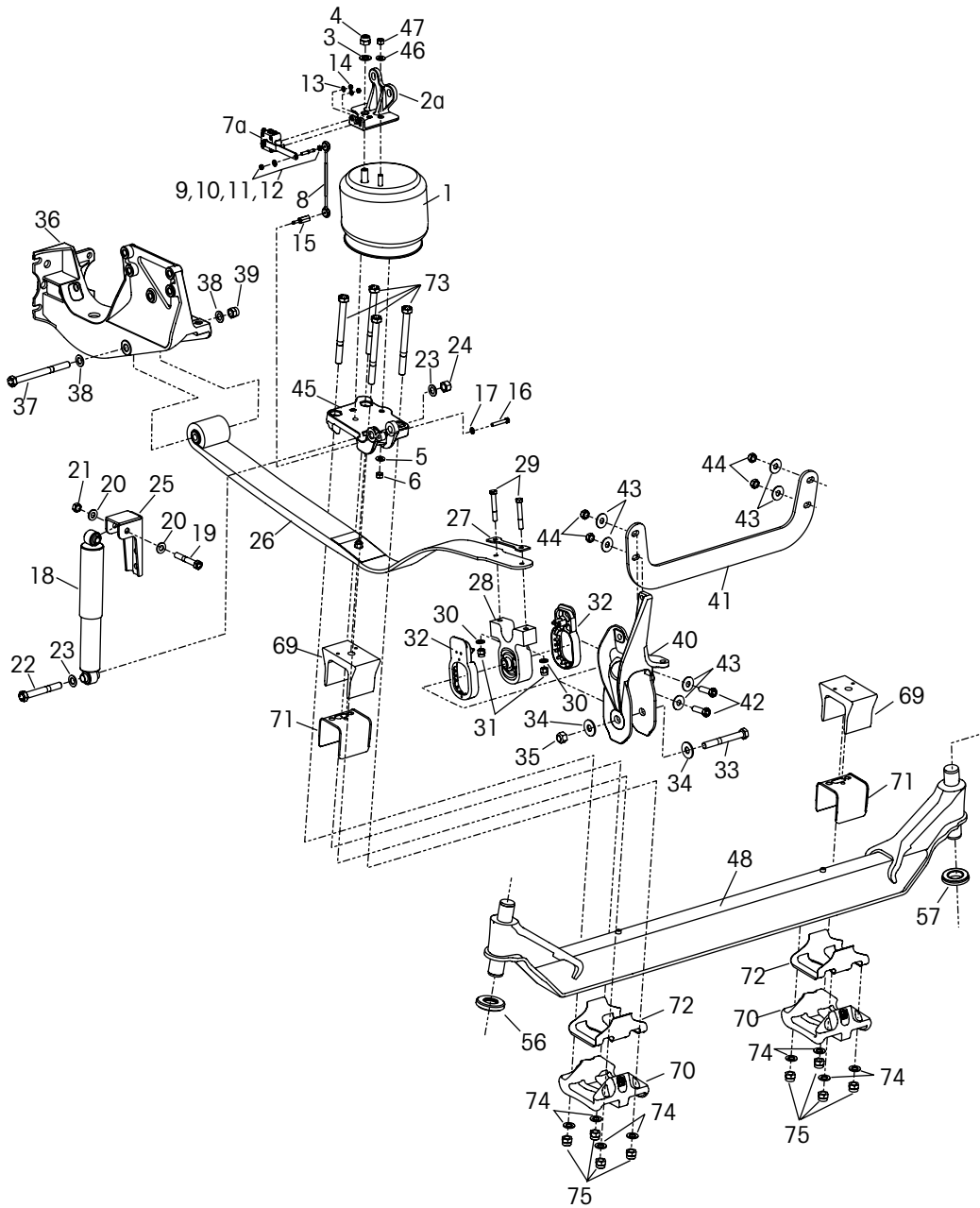
N/A = Part No Longer Available.

1

HENDRICKSON AIRTEK® FOR INTERNATIONAL VEHICLES

NEW ENGINE CONFIGURATION (NEC)

VEHICLES BUILT AFTER 9/06 — INTERNATIONAL MODELS 9200/9400
Truck / Tractor



1

HENDRICKSON AIRTEK® FOR INTERNATIONAL VEHICLES

NEW ENGINE CONFIGURATION (NEC)

VEHICLES BUILT AFTER 9/06 — INTERNATIONAL MODELS 9200/9400

Truck / Tractor

KEY NO.	MERITOR NO.	REPLACES HENDRICKSON NO.	DESCRIPTION	QTY PER AXLE	PAGE NO.
1	S.O.S.	65790-002L	Air Spring	2	—
2	S.O.S.	66775-000	LH Air Spring Bracket	1	—
	S.O.S.	66776-000	RH Air Spring Bracket	1	—
3	R302545	22962-001	3/4" Flat Washer	2	2-35
4	S.O.S.	17700-015	3/4" - 16 UNF Nylon Locknut	2	—
5	S.O.S.	22962-011	1/2" Hardened Washer	2	—
6	S.O.S.	17700-010	1/2" - 13 UNC Nylon Locknut	2	—
—	S.O.S.	59427-013	LH HCV & Linkage Assembly (Includes Key No. 7-14)	2	—
—	S.O.S.	59427-014	RH HCV & Linkage Assembly (Includes Key No. 7-14)		—
7	R3013996	59935-011	LH Height Control Valve	1	1-228
	R3013997	59935-018	RH Height Control Valve	1	1-228
8	S.O.S.	59428-004	HCV Linkage	2	—
9	S.O.S.	59169-000	5/16" - 18 UNC Stud	2	—
10	S.O.S.	17491-011	5/16" - 18 UNC Nut	2	—
11	S.O.S.	22962-029	5/16" Hardened Washer	2	—
12	S.O.S.	59016-000	5/16" - 18 UNC Locknut	2	—
13	S.O.S.	22962-028	1/4" Hardened Washer	4	—
14	S.O.S.	49983-000	1/4" 20 UNC Locknut	4	—
—	S.O.S.	60961-154	Lower Link Mount Service Kit, One Side (Includes Key No 15-17)	2	—
15	S.O.S.	59429-003	Lower Link Mount	2	—
16	S.O.S.	58035-002	3/8" - 16 UNC Hex Bolt - 1.38"	2	—
17	S.O.S.	22962-015	3/8" Flat Washer	2	—
—	S.O.S.	60961-156	Sleeper Shock Absorber Service Kit, (Includes Key No. 18-24)	2	—
—	S.O.S.	60961-157	Day Cab Shock Absorber Service Kit, (Includes Key No. 18-24)	2	—
18	R3014397	65992-001L	Sleeper Shock Absorber	2	1-229
	R3014022	65992-002L	Day Cab Shock Absorber	2	1-229
19	S.O.S.	32043-008	5/8" - 11 UNC Upper Shock Bolt - 4.0"	2	—
20	S.O.S.	22962-004	5/8" Upper Shock Washer	4	—
21	S.O.S.	47764-000	5/8" - 11 UNC Upper Shock Locknut	2	—
22	S.O.S.	58917-002	3/4" - 10 UNC Lower Shock Bolt - 5.0"	2	—
23	R302545	22962-001	3/4" Lower Shock Hardened Washer	4	2-35
24	S.O.S.	49842-000	3/4" - 10 UNC Lower Shock Hex Locknut	2	—
25	S.O.S.	—	Shock Bracket	2	—
—	S.O.S.	60961-158	Rear Spring Mount Service Kit, (Includes Key No. 27-31)	2	—
27	S.O.S.	58920-000	Spring End Plate	2	—
28	S.O.S.	66774-000	Rear Spring Mount Service Kit, One side	2	—
29	S.O.S.	30970-001	1/2" - 20 UNF Bolt - 2.5"	4	—
30	S.O.S.	22962-014	1/2" Hardened Washer	4	—
31	S.O.S.	17700-034	1/2" - 20 UNF Nylon Locknut	4	—
—	S.O.S.	60961-159	Rear Spring Hardware Service Kit, (Includes Key No. 32-35)	4	—
32	S.O.S.	66779-000	Thrust Washer	4	—
33	S.O.S.	58917-008	3/4" - 10 UNC Hex Bolt - 6.0"	2	—
34	S.O.S.	22962-033	3/4" Flat Washer	4	—
35	S.O.S.	49842-000	3/4" - 10 UNC Locknut	2	—
36	S.O.S.	—	Front Hanger	2	—
37	S.O.S.	58917-016	3/4" - 10 UNC Hex Bolt - 8.5"	2	—
38	R302545	22962-001	3/4" Flat Washer	4	2-35
39	S.O.S.	17700-033	3/4" - 10 UNC Locknut	2	—
40	S.O.S.	66382-001	LH Rear Hanger	1	—
	S.O.S.	66382-002	RH Rear Hanger	1	—

S.O.S. = Available through Meritor's S.O.S. Department

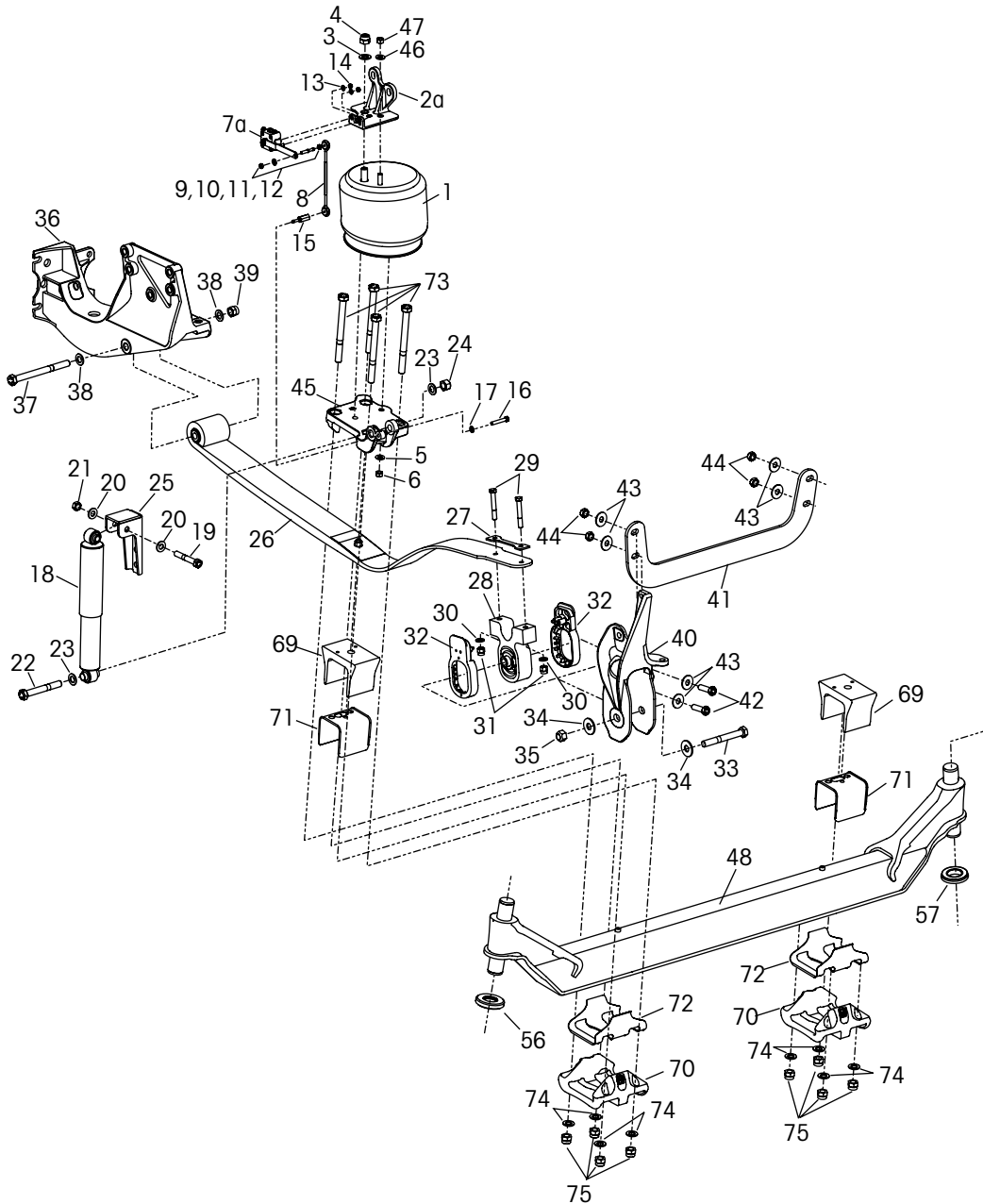
Contact Customer Care
USA - 1-888-725-9355 CANADA - 800-387-3889

Continued Next Page
XpresswayPlus.ArvinMeritor.com

HENDRICKSON AIRTEK® FOR INTERNATIONAL VEHICLES

NEW ENGINE CONFIGURATION (NEC)

VEHICLES BUILT AFTER 9/06 — INTERNATIONAL MODELS 9200/9400
Truck / Tractor



1

HENDRICKSON AIRTEK® FOR INTERNATIONAL VEHICLES

NEW ENGINE CONFIGURATION (NEC)

VEHICLES BUILT AFTER 9/06 — INTERNATIONAL MODELS 9200/9400

Truck / Tractor

KEY NO.	MERITOR NO.	REPLACES HENDRICKSON NO.	DESCRIPTION	QTY PER AXLE	PAGE NO.
41	S.O.S.	66419-000	Belly Band	1	—
42	S.O.S.	32043-006	5/8" - 11 UNC Hex Bolt - 2.0"	4	—
43	S.O.S.	22962-003	5/8" Hardened Washer - O.D. 1.75"	8	—
44	S.O.S.	47764-000	5/8" - 11 UNC Hex Locknut	4	—
45	S.O.S.	68318-001	LH Top Pad	1	—
	S.O.S.	68318-002	RH Top Pad	1	—
46	S.O.S.	22962-011	1/2" Hardened Washer	2	—
47	S.O.S.	17700-010	1/2" - 13 UNC Nylon Locknut	2	—
—	—	70952-0XX	Axle Assembly (includes Key No. 48-72)	1	—
48	S.O.S.	64905-001	Axle & Kingpin Assembly	1	—
69	S.O.S.	59952-023	Top Axle Wrap	2	—
70	S.O.S.	64722-003	Bottom Axle Wrap	2	—
—	S.O.S.	60961-110	Top/Bottom Axle Wrap Liner Service Kit, (Includes Key No 71-75)	2	—
71	S.O.S.	65757-000	Top Axle Wrap Liner	2	—
72	S.O.S.	59845-000	Bottom Axle Wrap Liner	2	—
73	S.O.S.	58917-016	3/4" - 10 UNC Hex Bolt - 8.5"	8	—
74	R302545	22962-001	3/4" Flat Washer	8	2-35
75	S.O.S.	17700-033	3/4" - 10 UNC-2B Nylon Locknut	8	—

S.O.S. = Available through Meritor's S.O.S. Department

1

HENDRICKSON AIRTEK® (PEC) REPLACEMENT SERVICE KITS

REFERENCE NO.	MERITOR NO.	REPLACES HENDRICKSON NO.	DESCRIPTION	NO. REQ.	PAGE NO.
—	S.O.S.	60961-131	LH & RH Rear Hanger Replacement Kit, (Includes Key No. 1-6)	1	—
1	S.O.S.	66627-001	LH Rear Hanger	1	—
2	S.O.S.	66627-002	RH Rear Hanger	1	—
3	S.O.S.	66419-000	Belly Band	1	—
4	S.O.S.	32043-006	5/8" -11 UNC Hex Bolt - 2.0"	4	—
5	S.O.S.	22962-003	5/8" Hardened Washer -O.D. 1.75"	8	—
6	S.O.S.	47764-000	5/8" -11 UNC Hex Locknut	4	—
—	S.O.S.	60961-132	Air Spring Bracket and Top Pad Replacement Kit, (Includes Key No. 7-19)	1	—
7	S.O.S.	66775-000	LH Air Spring Bracket	1	—
8	S.O.S.	66776-000	RH Air Spring Bracket	1	—
9	S.O.S.	68318-001	LH Top Pad	1	—
10	S.O.S.	68318-002	RH Top Pad	1	—
11	S.O.S.	59429-003	Link Mount	2	—
12	S.O.S.	58026-002	3/8" -16 UNC Hex Bolt - 1.38" (Link Mount)	2	—
13	S.O.S.	22962-015	3/8" Flat Washer	2	—
14	S.O.S.	58917-020	3/4" -10 UNC Bolt - 4.5" (Lower Shock)	2	—
15	R302545	22962-001	3/4" Hardened Washer	4	2-35
16	S.O.S.	49842-000	3/4" -10 UNC Hex Locknut	2	—
17	S.O.S.	58917-016	3/4" -10 UNC Hex Bolt - 8.5" (Clamp Group)	8	—
18	R302545	22962-001	3/4" Flat Washer	8	2-35
19	S.O.S.	17700-033	3/4" -10 UNC-2B Nylon Locknut	8	—
—	S.O.S.	60961-134	Leaf Spring Assembly Replacement Kit Axle Set (Includes Key No. 20-26)	1	—
20	S.O.S.	66420-000	Leaf Spring Assembly	2	—
21	S.O.S.	58917-016	3/4" -10 UNC Hex Bolt - 8.5"	10	—
22	R302545	22962-001	3/4" Flat Washer	8	2-35
23	S.O.S.	17700-033	3/4" -10 UNC-2B Nylon Locknut	8	—
24	S.O.S.	58917-002	3/4" -10 UNC Hex Bolt - 5.0"	2	—
25	S.O.S.	22962-033	3/4" Flat Washer	8	—
26	S.O.S.	49842-000	3/4" -10 UNC-2B Nylon Locknut	4	—
—	S.O.S.	60961-135	Rear Spring Mount and Thrust Washer Replacement Kit (Includes Key No. 27-31)	1	—
27	S.O.S.	66774-000	Rear Spring Mount	1	—
28	S.O.S.	66779-000	Thrust Washer	1	—
29	S.O.S.	30970-001	1/2" -20 UNF Bolt - 2.5"	2	—
30	S.O.S.	22962-014	1/2" Hardened Washer	4	—
31	S.O.S.	17700-034	1/2" -20 UNF Nylon Locknut	2	—

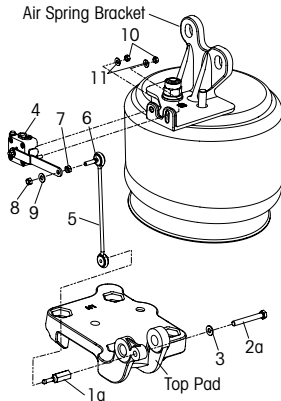
S.O.S. = Available through Meritor's S.O.S. Department

NOTES

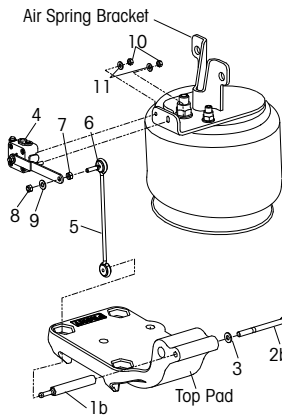
Empty rectangular box for notes.

HENDRICKSON DUAL HEIGHT CONTROL VALVE CONVERSION SERVICE KIT

NEC DUAL HCV & LINKAGE
CONVERSION KIT
NO. 60961-155



PEC DUAL HCV & LINKAGE
CONVERSION KIT
NO. 60961-116



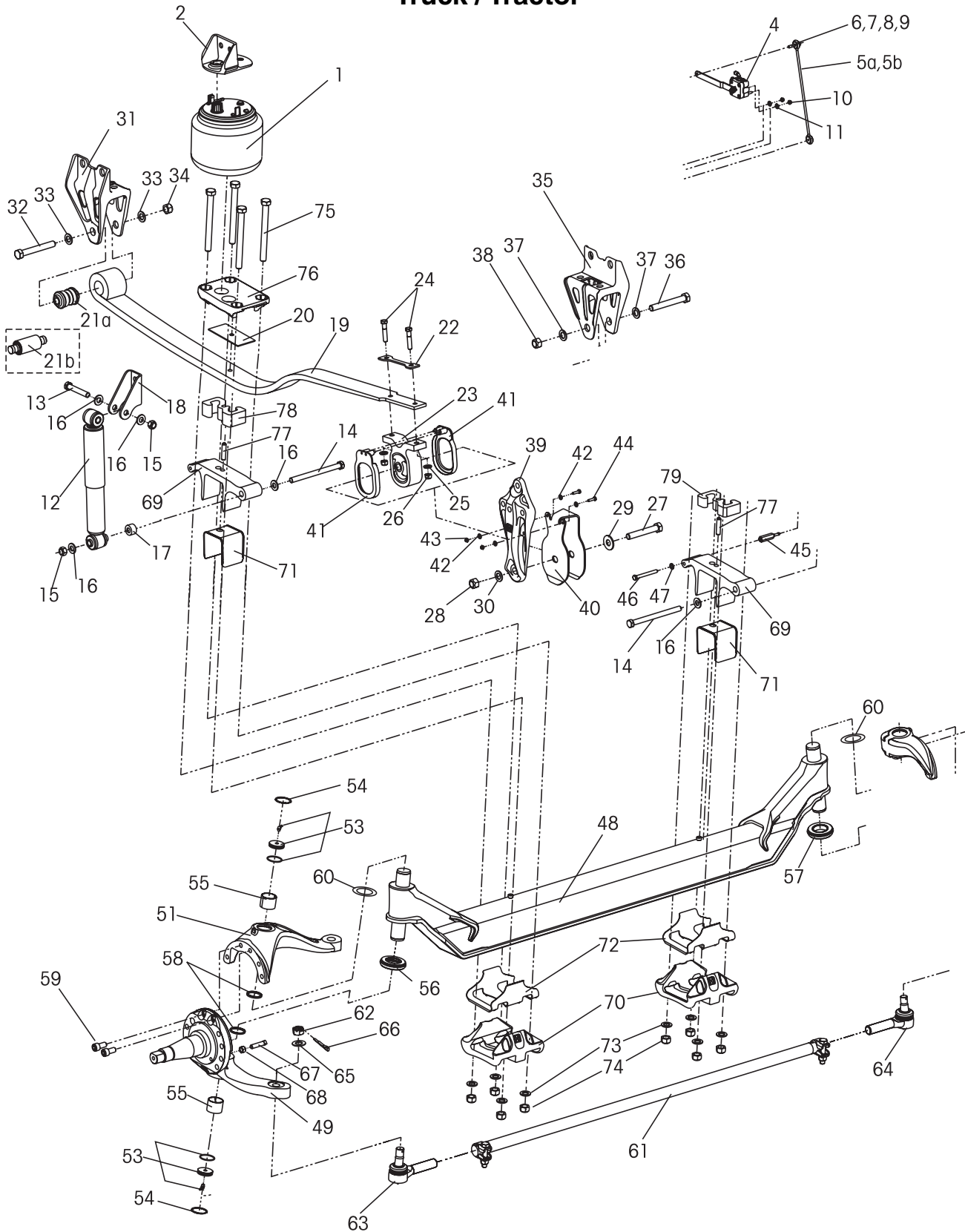
KEY NO.	MERITOR NO.	REPLACES HENDRICKSON NO.	DESCRIPTION	NO. REQ.	PAGE NO.
—	S.O.S.	60961-155	Dual Height Control Valve Conversion Service Kit For NEC (Includes Key No. 1a-2a, 3-11)	1	—
	S.O.S.	60961-116	Dual Height Control Valve Conversion Service Kit For PEC (Includes Key No. 1b-2b, 3-11)	1	—
1a	S.O.S.	59429-003	Lower Link Mount For NEC	1	—
1b	S.O.S.	59429-002	Lower Link Mount For PEC	1	—
2a	S.O.S.	59429-002	3/8" - 16 UNC Hex Bolt NEC	1	—
2b	S.O.S.	59429-006	3/8" - 16 UNC Hex Bolt PEC	1	—
3	S.O.S.	22962-015	3/8" Flat Washer	1	—
—	S.O.S.	59427-013	LH HCV & Linkage Assembly, (Includes Key No. 4-11)	1	—
4	R3013996	59935-011	LH Height Control Valve	1	1-228
5	S.O.S.	59428-004	HCV Linkage	1	—
6	S.O.S.	59169-000	5/16" - 18 UNC Stud	1	—
7	S.O.S.	17491-011	5/16" - 18 UNC Nut	1	—
8	S.O.S.	22962-029	5/16" Hardened Washer	1	—
9	S.O.S.	59016-000	5/16" - 18 UNC Locknut	1	—
10	S.O.S.	22962-028	1/4" Hardened Washer	2	—
11	S.O.S.	49983-000	1/4" - 20 UNC Locknut	2	—

NOTES

Empty rectangular box for notes.

HENDRICKSON AIRTEK® FOR FREIGHTLINER/ WESTERN STAR/STERLING VEHICLES

Truck / Tractor



1

HENDRICKSON AIRTEK® FOR FREIGHTLINER/ WESTERN STAR/STERLING VEHICLES

Truck / Tractor

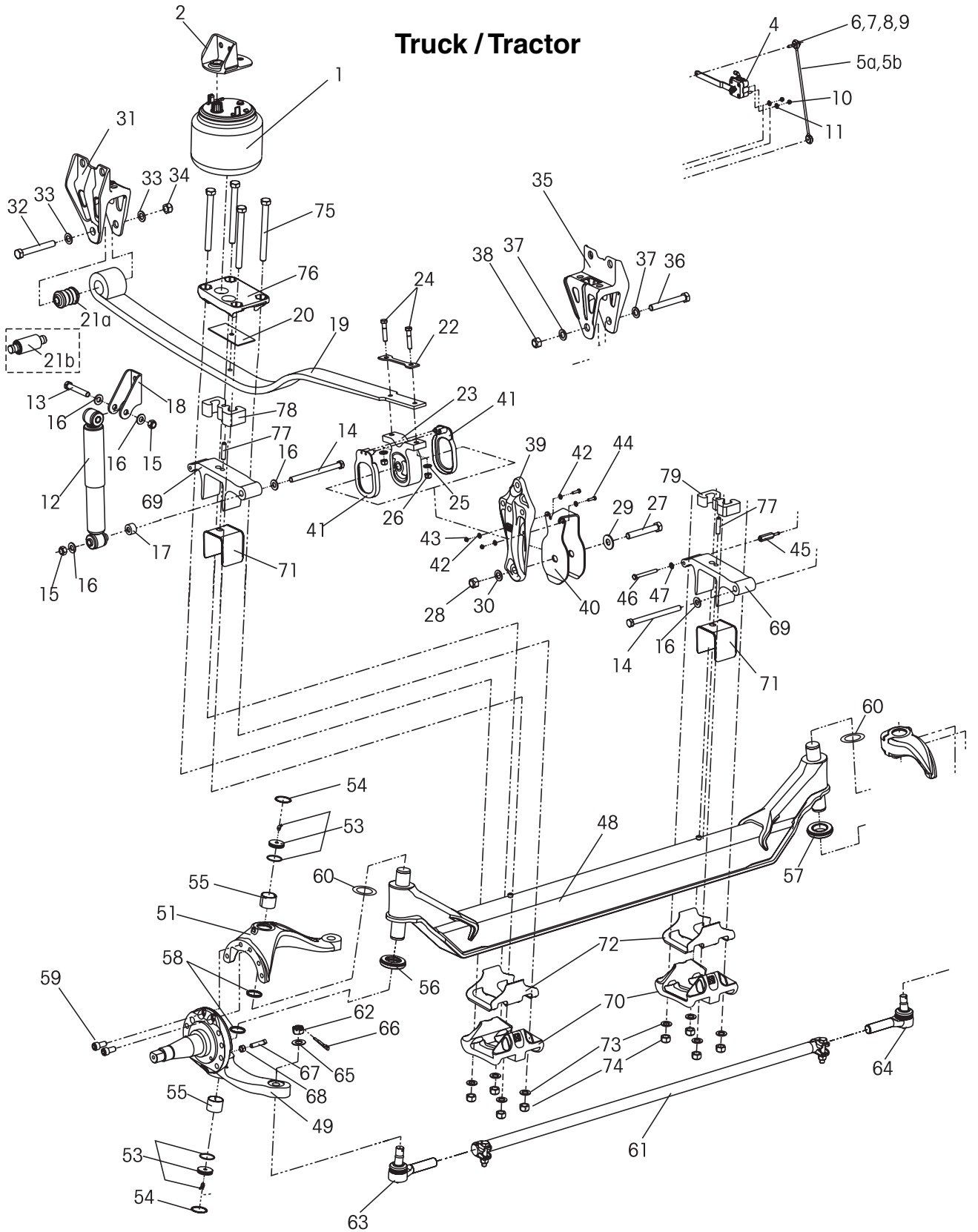
KEY NO.	MERITOR NO.	REPLACES HENDRICKSON NO.	DESCRIPTION	QTY PER AXLE	PAGE NO.
1	R3014003	59823-002L	Air Spring	2	1-228
2	S.O.S.	60850-001	Air Spring Bracket LH	1	—
3	S.O.S.	60850-002	Air Spring Bracket RH	1	—
—	R3013994	59427-005 (New) 59427-001 (Old)	HCV & Linkage Assembly (Includes Key Nos. 4, 5a, 6-11)	1	1-228
—	S.O.S.	59427-009 (New) 59427-002 (Old)	HCV & Linkage Assembly (Includes Key nos. 4, 5b, 6-11) for Western Star (Set Forward) 8.5" & 10" Ride Height, Western Star (Set Back) 10" Ride Ht.	1	—
4	R3013995	59935-002 (New) 59935-000 (Old)	Height Control Valve	1	1-228
5a	S.O.S.	59428-001	HCV Linkage for CST/Columbia, Coronado, Constellation (Western Star) 8.5" Ride Ht.	1	—
5b	S.O.S.	59428-002	HCV Linkage for Constellation (Western Star) 10.0" Ride Ht.	1	—
6	S.O.S.	59169-000	5/16" - 18 UNC Stud	1	—
7	S.O.S.	59016-000	5/16" - 18 UNC Locknut	1	—
8	S.O.S.	17491-011	5/16" - 18 UNC Nut	1	—
9	S.O.S.	22962-029	5/16" Hardened Washer	1	—
10	S.O.S.	49983-000	1/4" - 20 UNC Locknut	2	—
11	S.O.S.	22962-028	1/4" - Hardened Washer	2	—
—	S.O.S.	60961-001	Shock Absorber Service Kit Includes Key nos. 12-17)	2	—
12	R3013998	58913-003L	Shock Absorber	1	1-228
13	S.O.S.	50764-004	3/4" - 10 UNC 3.75" Upper Shock Bolt	1	—
14	S.O.S.	58917-009	3/4" - 10 UNC 7.0" Lower Shock Bolt	1	—
15	S.O.S.	49842-000	3/4" - 10 UNC Hex Locknut	2	—
16	R302545	22962-001	3/4" Hardened Washer	4	2-35
17	S.O.S.	59946-001	Shock Spacer	1	—
18	S.O.S.	59423-001	Shock Bracket	2	—
20	S.O.S.	59937-001	Galvanized Liner	1	—
21a	S.O.S.	59259-002	Spring Eye Bushing for CST/Columbia & Constellation (Western Star)	1	—
21b	S.O.S.	—	Coronado Spring Eye Bushing (included in assy only)	1	—
---	S.O.S.	60961-002	Rear Spring Mount Service Kit (Includes Key Nos. 22-26)	2	—
22	S.O.S.	58920-000	Spring End plate	1	—
23	S.O.S.	58918-000	Rear Spring Mount	1 2	—
24	S.O.S.	30970-011 (New) 24631-004 (Old)	1/2"-20 UNF 2A 2.25" Hex Bolt	2	—
25	S.O.S.	22962-014	1/2" Flat Washer	4	—
26	S.O.S.	17700-034 (New) 49846-000 (Old)	1/2"-20 UNF-2B Hex Nylon Locknut	2	—
---	S.O.S.	60961-003	Rear Spring Eye Hardware Service Kit (Includes Key Nos. 27-30 & 41)	2	—
27	S.O.S.	50764-008	3/4" - 10 UNC 5" Hex Bolt	1	—
28	S.O.S.	49842-000	3/4" - 10 UNC Locknut	1	—
29	S.O.S.	22962-033	3/4" Wide Washer	1	—
30	R302545	22962-001	3/4" Flat Washer	1	2-35
31	S.O.S.	59832-001	Left Hand Front Hanger for CST/Columbia	1	—
	S.O.S.	60573-001	Left Hand Front Hanger for CST/Columbia 1350	1	—
	S.O.S.	59832-001	Left Hand Front Hanger for Constellation (Western Star), Sterling 1400 Rod. & Western Star (Set Forward)	1	—
32	S.O.S.	58917-003 (New) 50764-012 (Old)	3/4" - 10 UNC 5 1/2" Hex Bolt	1	—
33	R302545	22962-001	3/4" Flat Washer	2	2-35
34	S.O.S.	49842-000	3/4" - 10 UNC-2B Hex Locknut	1	—
35	S.O.S.	59832-002	Right Hand Front Hanger for CST/Columbia	1	—
	S.O.S.	60573-002	Right Hand Front Hanger for CST/Columbia 1350	1	—
	S.O.S.	59832-002	Right Hand Front Hanger for Constellation (Western Star)	1	—

S.O.S. = Available through Meritor's S.O.S. Department

Continued on next page

HENDRICKSON AIRTEK® FOR FREIGHTLINER/ WESTERN STAR/STERLING VEHICLES

Truck / Tractor



1

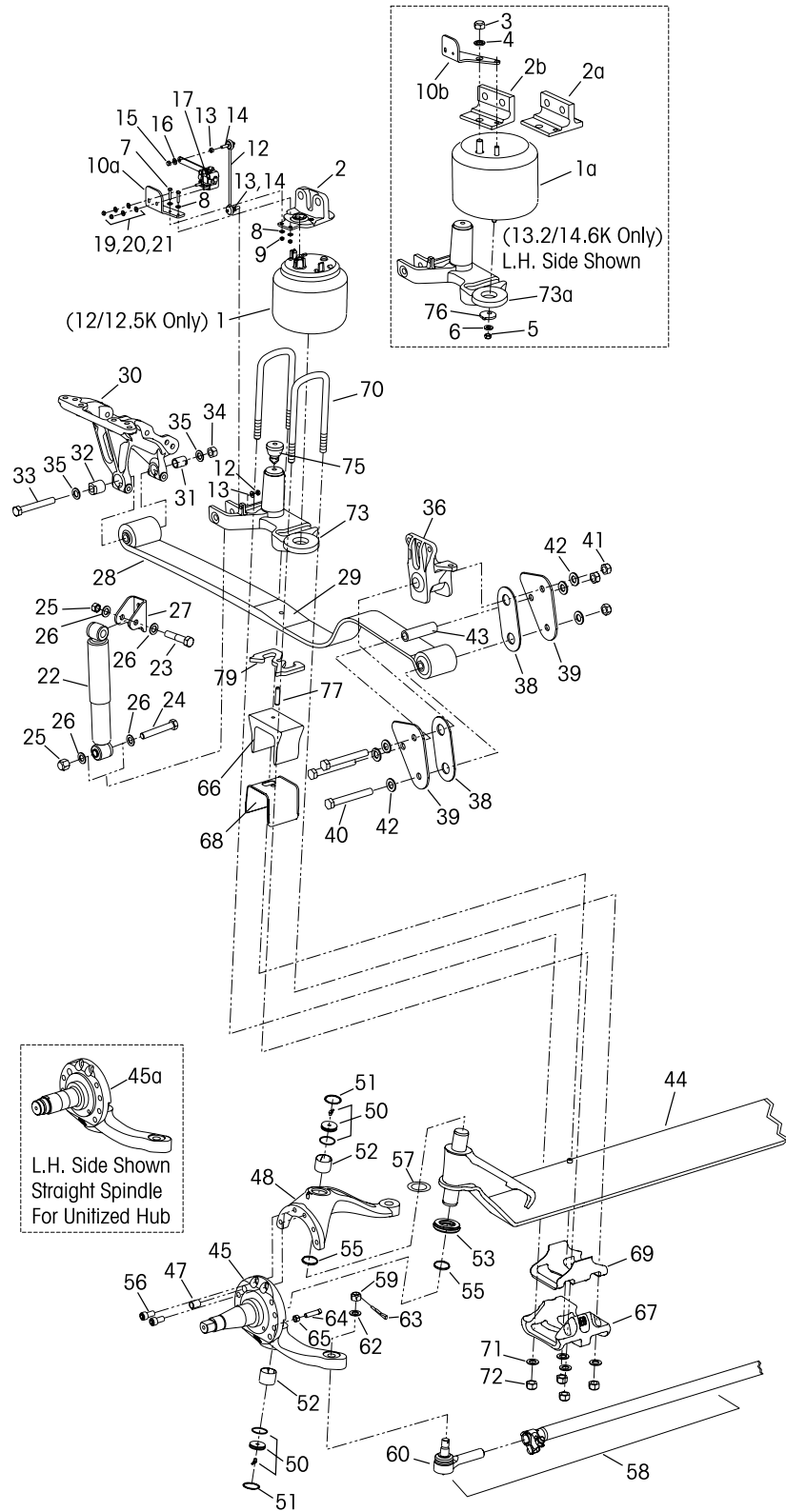
HENDRICKSON AIRTEK® FOR FREIGHTLINER/ WESTERN STAR/STERLING VEHICLES Truck / Tractor

KEY NO.	MERITOR NO.	REPLACES HENDRICKSON NO.	DESCRIPTION	QTY PER AXLE	PAGE NO.
36	S.O.S.	50764-012	3/4" - 10 UNC 5 1/2" Hex Bolt	1	—
37	R302545	22962-001	3/4" Flat Washer	2	2-35
38	S.O.S.	49842-000	3/4"-10 UNC-2B Hex Locknut	2	—
39	S.O.S.	59829-001 (New) 59829-000 (Old)	Rear Hanger - Casting Number 59825-000	2	—
40	S.O.S.	59830-001 (New) 59830-000 (Old)	Rear Hanger Clamp	1	—
41	S.O.S.	59346-001 (New) 59346-000 (Old)	Thrust Washer	2	—
42	S.O.S.	22962-028	1/4" Hardened Washer	4	—
43	S.O.S.	49983-000	1/4"-20 UNC Locknut	2	—
44	S.O.S.	56935-001	1/4" - 20 UNC 1 1/4" Hex Bolt	2	—
45	S.O.S.	59429-002 (New) 59310-001 (Old)	Link Mount	1	—
46	S.O.S.	58035-006	3/8" - 16 UNC 3 1/2" Hex Bolt	1	—
47	S.O.S.	22962-015	3/8" Flat Washer	1	—
48	S.O.S.	—	Axle Assembly (Includes Key Nos. 49-73) - Contact S.O.S. for Part Number	1	—
51	S.O.S.	—	LH Upper Steering Arm Assembly	1	—
52	S.O.S.	—	RH Upper Steering Knuckle Assembly	1	—
53	S.O.S.	59156-000	Grease Cap Assembly	2	—
54	S.O.S.	58937-000	Retaining Ring	2	—
55	S.O.S.	58909-000	King Pin Bushing	2	—
56	S.O.S.	59828-000	LH Thrust Bearing - Composite	1	—
57	S.O.S.	64256-000	RH Thrust Bearing - Roller	1	—
58	S.O.S.	58910-000	King Pin Seal	2	—
59	S.O.S.	60236-001	5/8" Socket head cap screw	2	—
60	S.O.S.	60259-002	King Pin Shim	1	—
61	S.O.S.	—	Tie Rod Assembly	1	—
62	Part of S.O.S.	—	3/4" Castle Nut	2	—
63	S.O.S.	—	LH Tie Rod End	1	—
64	S.O.S.	—	RH Tie Rod End	1	—
65	S.O.S.	22962-007	7/8" Flat Washer	2	—
66	S.O.S.	17800-004	Tie Rod Nut Cotter Pin	2	—
67	S.O.S.	60238-001	1/2" - 13 UNC Square Head Bolt	2	—
68	S.O.S.	60240-000	1/2" - 13 UNC Hex Jam Nut	2	—
69	S.O.S.	—	Top Wrap	2	—
70	S.O.S.	59952-016 (New) 59440-001 (Old)	Bottom Wrap	2	—
71	S.O.S.	59449-000	Top Axle Wrap Liner	1	—
72	S.O.S.	59845-000	Bottom Axle Wrap Liner	1	—
73	R302545	22962-001	3/4" Flat Washer	4	2-35
74	S.O.S.	17700-033	3/4" - 10 UNC-2B Nylon Locknut	4	—
75	S.O.S.	58917-016 58917-017 58917-018	3/4" - 10 UNC Hex Bolt	4	—
76	S.O.S.	59826-000	Top Pad	2	—
77	S.O.S.	57159-004 57159-005 57159-006 57159-012	Dowel Pin, 1/2" Diameter	2	—
78	S.O.S.	60244-010 60244-030 60244-045 60244-080	LH Front Axle Spacer	1	—
79	S.O.S.	60244-020 60244-035 60244-070	RH Front Axle Spacer	1	—

S.O.S. = Available through Meritor's S.O.S. Department

HENDRICKSON AIRTEK® FOR VOLVO VEHICLES SUSPENSION

Truck / Tractor



1

HENDRICKSON AIRTEK® FOR VOLVO VEHICLES

SUSPENSION PARTS

Truck / Tractor

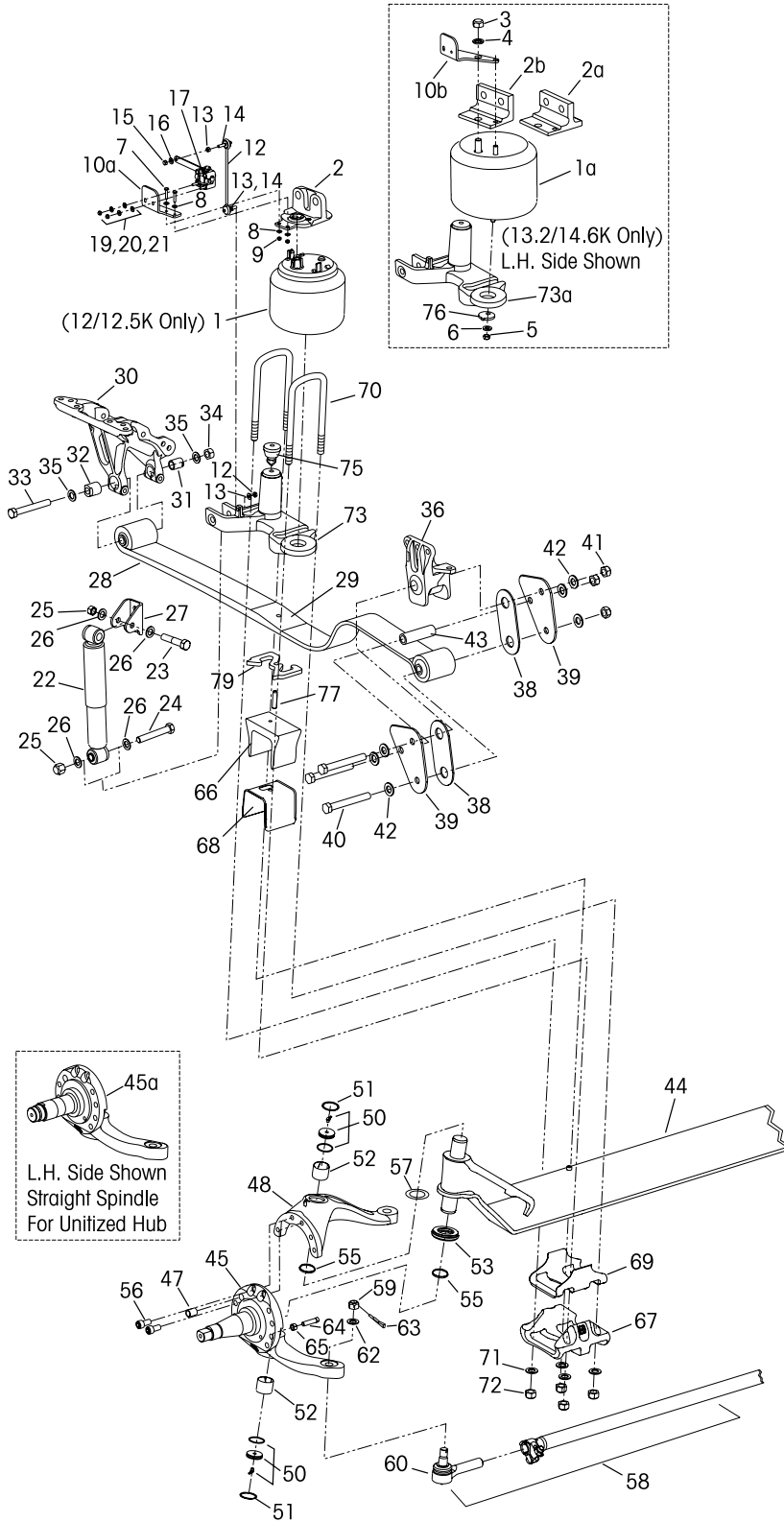
KEY NO.	MERITOR NO.	REPLACES HENDRICKSON NO.	REPLACES VOLVO/MACK NO.	DESCRIPTION	QTY PER AXLE	PAGE NO.
1	R3014010	66349-002L (New) 60750-002L (Old)	20897204 (Volvo) 057QL-0520-M (Mack)	Air Spring for 12/12.5K	2	1-229
1a	R3014011	60716-002	20462941 (Volvo) 057QL-0059-M (Mack)	Air Spring for 13.2/14.6K		1-229
2	S.O.S.	60757-000		Air Spring Bracket for 12/12.5K 266 Rail	As Required	—
	S.O.S.	60976-000		Air Spring Bracket for 12/12.5K 300 Rail		—
2a	S.O.S.	60738-001		Air Spring Bracket for 13.2/14.6K 266 Rail		—
2b	S.O.S.	60738-002		Air Spring Bracket for 13.2/14.6K 300 Rail		—
—	S.O.S.	—		Dual HCV, Link Mount & Linkage Assembly	2	—
	R3014015	65601-006 (New) 65601-001 (Old)	20717145 (Volvo) 020QE-4220-M (Mack)	Dual HCV for LH 12/12.5K		—
	R3014016	65601-007 (New) 65601-002 (Old)	20717147 (Volvo) 020QE-4221-M (Mack)	Dual HCV for RH 12/12.5K		—
	R3014017	65602-006 (New) 65602-001 (Old)	20717149 (Volvo) 020QE-4222-M (Mack)	Dual HCV for LH 13.2/14.6K		—
	R3014018	65602-007 (New) 65602-002 (Old)	20717151 (Volvo) 020QE-4223-M (Mack)	Dual HCV for RH 13.2/14.6K		—
10a	S.O.S.	64480-005 (New) 64480-000 (old)		LH Dual Height Control Valve Bracket for 12/12.5K	1	—
10b	S.O.S.	64481-005 (New) 64481-000 (Old)		LH Dual Height Control Valve Bracket for 13.2/14.6K		—
11	S.O.S.	64480-004 (New) 64480-002 (Old)		RH Dual Height Control Valve Bracket for 12/12.5K		—
Not Shown	S.O.S.	64481-004 (New) 64481-002 (Old)		RH Dual Height Control Valve Bracket for 13.2/14.6K		—
—	S.O.S.	59427-025 (New) 59427-010 (Old)		Dual HCV & Linkage Assy for LH	1	—
	S.O.S.	59427-026 (New) 59427-012 (Old)		Dual HCV & Linkage Assy for RH		—
12	S.O.S.	59428-004		Height Control Valve Linkage	1	—
13	S.O.S.	64298-000		M8 x 1.25-6H Hexnut	2	—
14	S.O.S.	59169-002		M8 Link Stud	2	—
15	S.O.S.	64297-000		M8 x 1.25-6H Locknut	2	—
16	S.O.S.	58246-012		M8 Flat Washer	2	—
17	S.O.S.	59935-017 (New) 59935-006 (Old)		LH HCV	1	—
18	S.O.S.	59935-016 (New) 59935-009 (Old)		RH HCV	1	—
19	S.O.S.	58246-014 (New) 22962-028 (Old)		M6 Flat Washer	2	—
20	S.O.S.	17497-001		1/4" Lockwasher	2	—
21	S.O.S.	66388-000 (New) 65092-000 (Old)		M6 x 1.0-6H Locknut	2	—

S.O.S. = Available through Meritor's S.O.S. Department

Continued On Next Page

HENDRICKSON AIRTEK® FOR VOLVO VEHICLES SUSPENSION

Truck / Tractor



45a
L.H. Side Shown
Straight Spindle
For Unitized Hub

1

HENDRICKSON AIRTEK® FOR VOLVO VEHICLES

SUSPENSION PARTS

Truck / Tractor

KEY NO.	MERITOR NO.	REPLACES HENDRICKSON NO.	REPLACES VOLVO/MACK NO.	DESCRIPTION	QTY PER AXLE	PAGE NO.
22	R3014009	64838-003L (New) 64838-001L (Old) 64838-002L (Old)	20485633 (Volvo) 014QK-0422-M (Mack)	Shock Absorber	2	1-229
27	S.O.S.	64241-001		Upper Shock Bracket	2	—
28	S.O.S.	64772-000 (New) 64485-000 (Old) 65215-000 (Old)	20551557 (Volvo) 002QK-0515-M (Mack)	Leaf Spring Assy with Bushings	2	—
30	S.O.S.	—	—	Front Spring Hanger	2	—
31	S.O.S.	64486-000 (New) 64162-000 (Old)	—	Inboard Spring Adapter	2	—
32	S.O.S.	64487-000 (New) 64163-000 (Old)	—	Outboard Spring Adapter	2	—
33	S.O.S.	58258-009	—	M20 x 2.56G 230 mm Hex Bolt	2	—
36	S.O.S.	64175-001	Cast Part No. 64153-001	LH Rear Shackle Bracket w/ Bushing (266 Frame Rail)	As Required	—
		64176-001		LH Rear Shackle Bracket w/ Bushing (300 Frame Rail)		—
37	S.O.S.	64175-002	Cast Part No. 64153-002	RH Rear Shackle Bracket w/ Bushing (266 Frame Rail)	As Required	—
		64176-002		RH Rear Shackle Bracket w/ Bushing (300 Frame Rail)		—
38	S.O.S.	64159-000		Thrust Washer	4	—
39	S.O.S.	64794-000 (New) 64158-000 (Old)		Shackle Plate	4	—
40	S.O.S.	58258-008		M20 x 2.5-6G 160 mm Hex Bolt	6	—
41	S.O.S.	58259-001		M20 x 2.5-6H Locknut	6	—
42	S.O.S.	58246-009		M20 Flat Washer	12	—
43	S.O.S.	60631-000		Shackle Stop Spacer	2	—
44	S.O.S.	Various		Axle & King Pin Assy	1	—
45	S.O.S.	Various		LH Lower Steering Knuckle Assy	1	—
46	S.O.S.	Various		RH Lower Steering Knuckle Assy	1	—
47	S.O.S.	64246-000		ABS Sensor Sleeve	2	—
48	S.O.S.	60903-011		LH Upper Steering Knuckle Assy (338 mm Ride Ht)	1	—
		60903-013		LH Upper Steering Knuckle Assy (366 mm Ride Ht)		—
49	S.O.S.	60904-002		RH Upper Steering Knuckle Assy	1	—
—	R3013999	60961-040	851104370 (Volvo)	King Pin Bushing and Bearing Service Kit	As Required	—
—	R3014000	60961-009		LH King Pin Bushing w/ Composite Thrust Bearing Service Kit	As Required	—
—	R3014001	60961-039		RH King Pin Bushing w/ Roller Thrust Bearing Service Kit	As Required	—
50	S.O.S.	59156-000		Grease Cap Assy	4	—
51	S.O.S.	58937-000		Retaining Ring	4	—
52	S.O.S.	58909-000		King Pin Bushing	4	—
—	R3014002	60961-043	85104371 (Volvo)	Thrust Bearing Service Kit	As Required	—
53	S.O.S.	59828-000		LH Composite Thrust Bearing	1	—

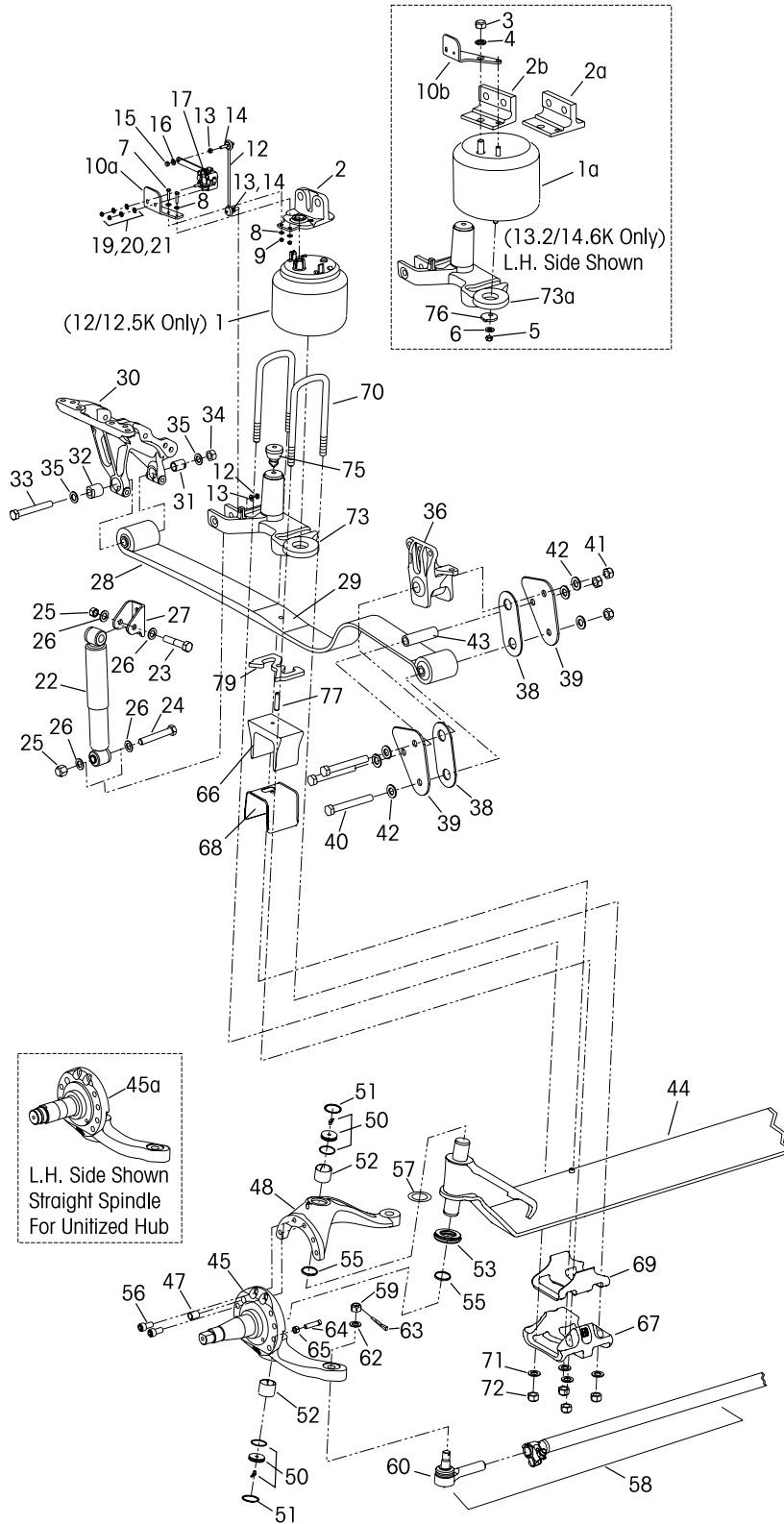
S.O.S. = Available through Meritor's S.O.S. Department

Continued On Next Page

1

HENDRICKSON AIRTEK® FOR VOLVO VEHICLES SUSPENSION

Truck / Tractor



1

H HENDRICKSON AIRTEK® FOR VOLVO VEHICLES

SUSPENSION PARTS

Truck / Tractor

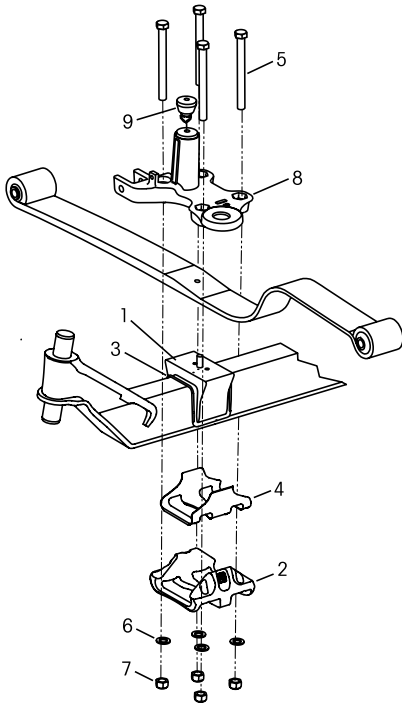
KEY NO.	MERITOR NO.	REPLACES HENDRICKSON NO.	REPLACES VOLVO/MACK NO.	DESCRIPTION	QTY PER AXLE	PAGE NO.
54 (not shown)	S.O.S.	64256-000		RH Roller Thrust Bearing	1	—
55	S.O.S.	58910-000		Kingpin Seal	4	—
56	S.O.S.	60236-001		5/8" Socket Head Cap Screw	4	—
57	S.O.S.	60259-002		King Pin Shim	2	—
58	S.O.S.	Various		Tie Rod Assy	1	—
—	R3014007	60961-010 (New) 60961-081 (Old)	85108869 (Volvo)	Tie Rod End Service Kit	As Required	—
62	S.O.S.	22962-007		7/8" Flat Washer	2	—
63	S.O.S.	17800-004		Tie Rod Nut Cotter Pin	2	—
64	S.O.S.	60238-001		1/2"-13 UNC Square Head Bolt	2	—
65	S.O.S.	60240-000		1/2"-13 UNC Hex Jam Nut	2	—
66	S.O.S.	59952-017 (New) 59952-013 (Old) 59952-014 (Old)		Top Axle Wrap	2	—
67	S.O.S.	64722-003 (New) 64014-003 (Old) 60622-003 (Old)		Bottom Axle Wrap	2	—
68	S.O.S.	60508-000		Top Axle Wrap Liner	2	—
69	S.O.S.	59845-000		Bottom Axle Wrap Liner	2	—
70	S.O.S.	Various		M20 x 2.56-6G U-Bolt	4	—
71	S.O.S.	58246-009		M20 Flat Washer	8	—
72	S.O.S.	65072-001		M20 x 2.5-6H Locknut	8	—
73	S.O.S.	67266-001L		LH Top Pad (266 Frame Rail)	1	—
		67300-001L		LH Top Pad (300 Frame Rail)		—
74	S.O.S.	67266-002L		RH Top Pad (266 Frame Rail)	1	—
		67300-002L		RH Top Pad (300 Frame Rail)		—
75	S.O.S.	64080-000		Rubber Axle Stop	2	—
76	S.O.S.	64166-000		Air Spring Adapter for Top Pad for 13.2K/14.6K Only	2	—
77	S.O.S.	Various		LH Dowel Pin	1	—
78	S.O.S.	Various		RH Dowel Pin	1	—
79	S.O.S.	Various		LH Front Axle Spacer	1	—
80	S.O.S.	Various		RH Front Axle Spacer	1	—

S.O.S. = Available through Meritor's S.O.S. Department

HENDRICKSON AIRTEK® FOR VOLVO

Truck / Tractor

Top Pad with Hex Bolt For Vehicles with Pre '07 Engine (L.H. Side Shown)



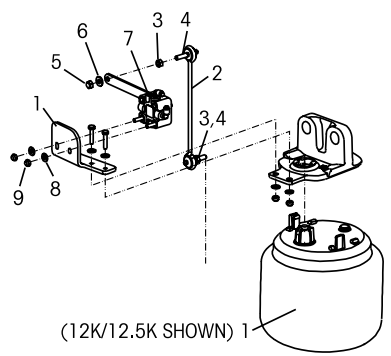
KEY NO.	MERITOR NO.	REPLACES HENDRICKSON NO.	DESCRIPTION	NO. REQ.	PAGE NO.
1	S.O.S.	159952-017	Top Axle Wrap	2	—
2	S.O.S.	264722-003	Bottom Axle Wrap	2	—
—	S.O.S.	Various	Clamp Group Service Kit	As Required	—
3	S.O.S.	60508-000	Top Axle Wrap Liner	2	—
4	S.O.S.	59845-000	Bottom Axle Wrap Liner	2	—
5	S.O.S.	Various	M20 x 2.5-6G Hex Bolt	8	—
6	S.O.S.	58246-009	M20 Flat Washer	8	—
7	S.O.S.	65072-001	M20 x 2.5-6H Locknut	8	—
8	S.O.S.	—	Top Pad Assembly	As Required	—
9	S.O.S.	64080-000	Rubber Axle Stop	2	—

S.O.S. = Available through Meritor's S.O.S. Department

HENDRICKSON AIRTEK® FOR VOLVO

Truck / Tractor

KEY NO.	MERITOR NO.	REPLACES HENDRICKSON NO.	VOLVO /MACK NO.	DESCRIPTION	NO. REQ.	PAGE NO.
—	R3014013	64089-000	20503343 (Volvo) 020QE-4191-M (Mack)	Single HCV, Link Mount & Linkage Assembly, Includes Key Nos. 1-9 (For 12K/12.5K)	1	—
	R3014014	64094-000	20503352 (Volvo) 020QE-4189-M (Mack)	Single HCV, Link Mount & Linkage Assembly, Includes Key Nos. 1-9 (For 13.2K/14.6K)		
1	S.O.S.	64480-000		Single Height Control Valve Bracket for 12K/12.5K	1	—
	S.O.S.	64481-000		Single Height Control Valve Bracket for 13.2K/14.6K		
—	S.O.S.	59427-006		Single Height Control Valve & Linkage 1 Assembly, Includes Key Nos. 2-9	1	—
2	S.O.S.	59428-004		Height Control Valve Linkage	1	—
3	S.O.S.	64298-000		M8 x 1.25-6H Hexnut	2	—
4	S.O.S.	59169-002		M8 Link Stud	2	—
5	S.O.S.	64297-000		M8 x 1.25-6H Locknut	2	—
6	S.O.S.	58246-012		M8 Flat Washer	2	—
7	S.O.S.	59935-003		Height Control Valve	1	—
8	S.O.S.	22962-028		¼" Flat Washer	2	—
9	S.O.S.	49983-000		¼" 20 UNC Locknut	2	—



Obtain a Hendrickson Dual Height Control Valve Conversion Kit to convert a single height control valve to dual height control valves configuration.

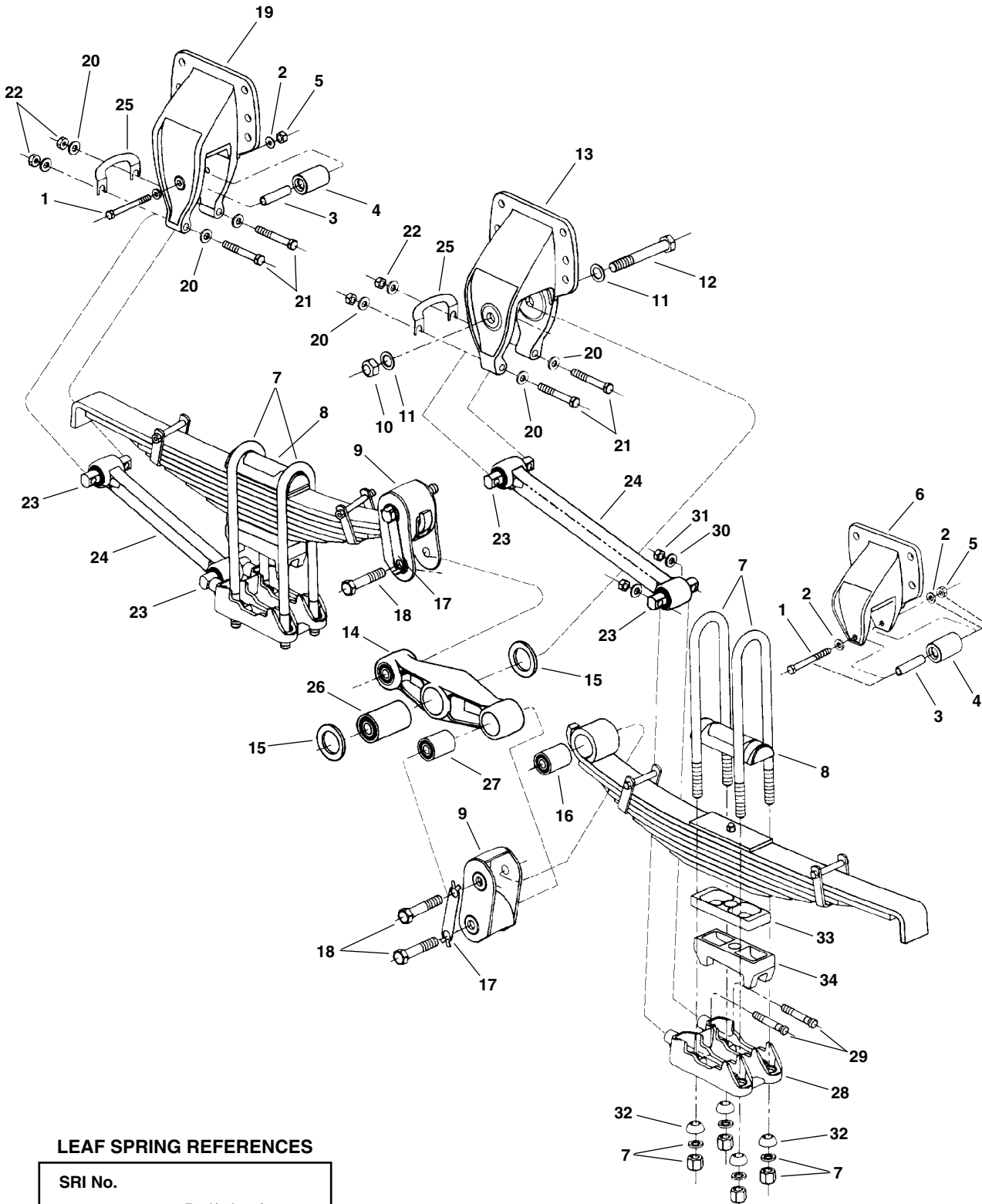
KEY NO.	MERITOR NO.	REPLACES HENDRICKSON NO.	VOLVO /MACK NO.	DESCRIPTION	NO. REQ.	PAGE NO.
—	R3014019	60961-101		Dual Height Control Valve and Linkage Kit for 12K/12.5K Capacity	As Required	—
—	R3014020	60961-102		Dual Height Control Valve and Linkage Kit for 13.2K/14.6K Capacity	As Required	—

S.O.S. = Available through Meritor's S.O.S. Department

HENDRICKSON E4-360/400 SERIES

(Formerly E4-340/380)
Truck/Tractor

OBSOLETE 6/96



LEAF SPRING REFERENCES

SRI No.

50-315	Pad/8 Leaf
50-317	Pad/8 Leaf

1

HENDRICKSON E4-360/400 SERIES PARTS (Formerly E4-340/380)

Truck/Tractor

KEY NO.	MERITOR NO.	REPLACES HENDRICKSON NO.	CASTING NO.	DESCRIPTION	QUANTITY PER TANDEM	E4-360	E4-400	PAGE NO.
—	R309432	49175-013 (New) 49175-005 (Old)		Rebound Roller Kit Includes Key Nos. 1, 2, 3, 4, 5	4	X	X	1-216
1	Part of R309432	24531-015		Rebound Bolt	4	X	X	1-216
2	Part of R309432	22962-014		Hardened Flat Washer, 1/2"	8	X	X	1-216
3	Part of R309432	57988-000 (New)		Rebound Bolt Spacer	4	X	X	1-216
	Part of R309432	47458-000 (Old)		Rebound Bolt Spacer	4	X	X	1-216
4	Part of R309432	57989-000 (New)		Rebound Roller	4	X	X	1-216
	Part of R309432	48883-000 (Old)		Rebound Roller	4	X	X	1-216
5	Part of R309432	49846-000		Rebound Roller Nut	4	X	X	1-216
6	R305301	47436-003	48991	Rear Spring Hanger	2	X	X	1-217
	S.O.S.	48530-000	48529	Rear Spring Hanger		Optional	Optional	—
7	R30U8161-18S1	48718-050		U-Bolt Assembly, Rd. Bend, 7/8"-14 Thd. x 3" Wide x 18" Long	8	X	X	2-25
8	R309408	507088-000		Top Pad Part of Spring	4	X	X	1-219
	R303739	48797-000		Top Pad Separate From Spring	4	X	X	1-216
9	R305267	47440-000	47439	Spring Shackle, Left Hand Front, Right Hand Rear	2	X	X	1-215
	R305268	47442-000	47441	Spring Shackle, Right Hand Front, Left Hand Rear	2	X	X	1-215
10	R301828	08017-000		Center Bushing Nut, 1" Lock Nut	2	X	X	2-34
11	R302573	22962-006		Hardened Flat Washer, 1"	4	X	X	2-35
12	R305271	30550-035		Equalizer Center Bolt, 1"	2	X	X	2-33
13	S.O.S.	56833-003 (New)	47433 or 50640-000	Center Spring Hanger	2	X	X	—
	R305300	47434-002 (Old)	47433 or 50642-000	Center Spring Hanger	2	X	X	1-217
	S.O.S.	49839-000	48428 or 50640-000	Center Spring Hanger	2	Optional	Optional	—
14	R305265	47444-001	47437	Equalizing Beam Assembly	2	X		1-214, 2-68
	R305265	47444-004	47437	Equalizing Beam Assembly Includes Key Nos. 26, 27	2		X	1-214, 2-68
15	R305273	47416-000		Thrust Washer	4	X	X	2-35
16	R305270	47421-000		Spring Eye Bushing	4	X	X	1-215
17	R305274	47459-000		Shackle Bolt Retainer	4	X	X	1-215
18	R305272	48728-000		Shackle Bolt	8	X	X	2-33
19	R305299	56673-001 (New)	56672-000	Front Spring Hanger	2	X	X	1-217
		47432-001 (Old)	47431-000					
		49726-001 (Old)	49723-000					
	S.O.S.	56830-000 (New)	56829-000	Front Spring Hanger	2	Optional	Optional	—
		48533-000 (Old)	48442-000					
—	R305277	49176-001L		Torque Rod Fastener Kit Includes Key Nos. 20, 21, 22	8	X	X	1-215
20	Part of R305277	22962-004		Flat Washer, 5/8" Hardened	16	X	X	1-215
21	Part of R305277	32043-005		Torque Rod Bolt	8	X	X	1-215
22	Part of R305277	47764-000		Torque Rod Nut	8	X	X	1-215

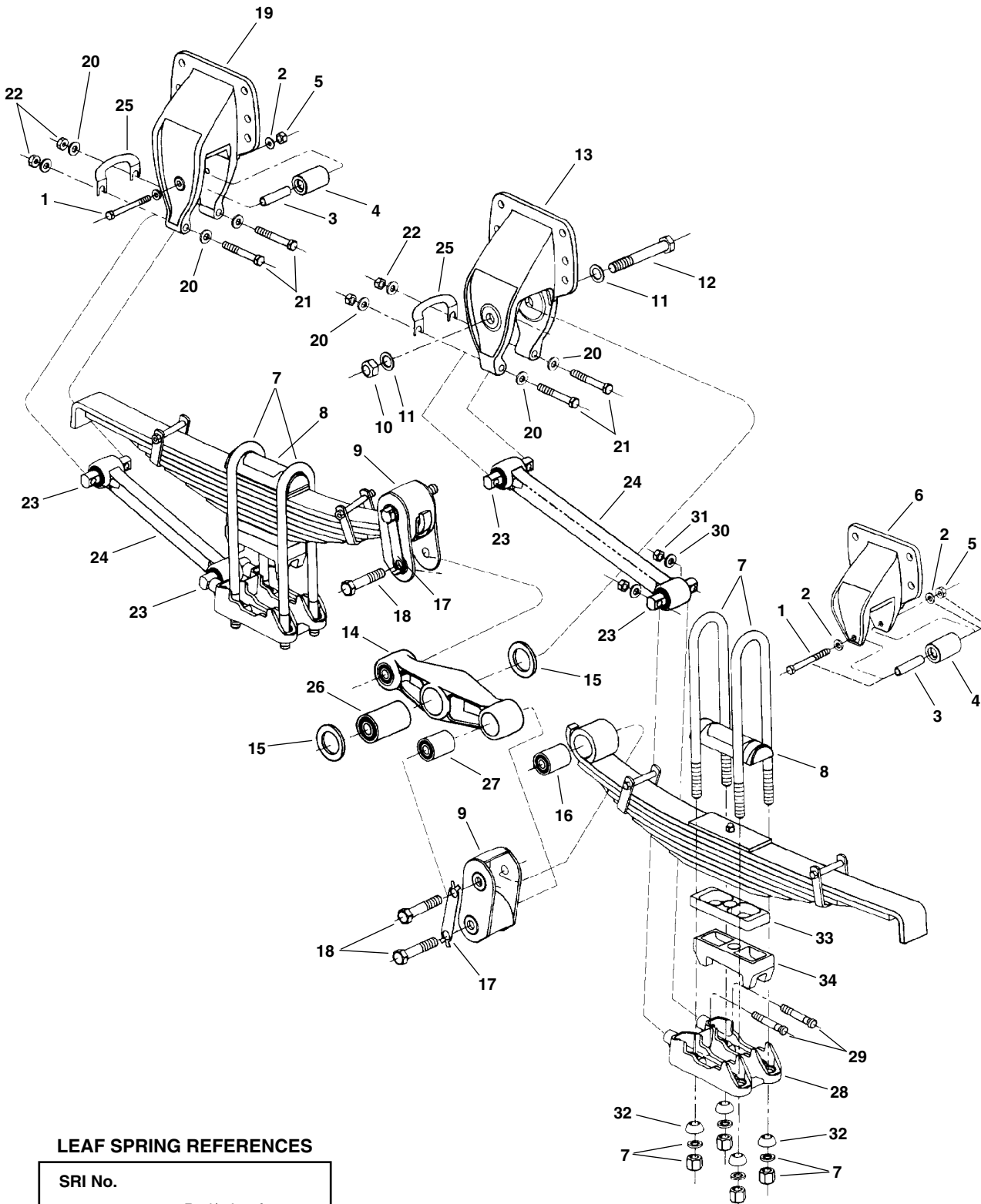
S.O.S. = Available through Meritor's S.O.S. Department

Continued on next page

HENDRICKSON E4-360/400 SERIES

(Formerly E4-340/380)
Truck/Tractor

OBSOLETE 6/96



LEAF SPRING REFERENCES

SRI No.	
50-315	Pad/8 Leaf
50-317	Pad/8 Leaf

HENDRICKSON E4-360/400 SERIES PARTS (Formerly E4-340/380) Truck/Tractor

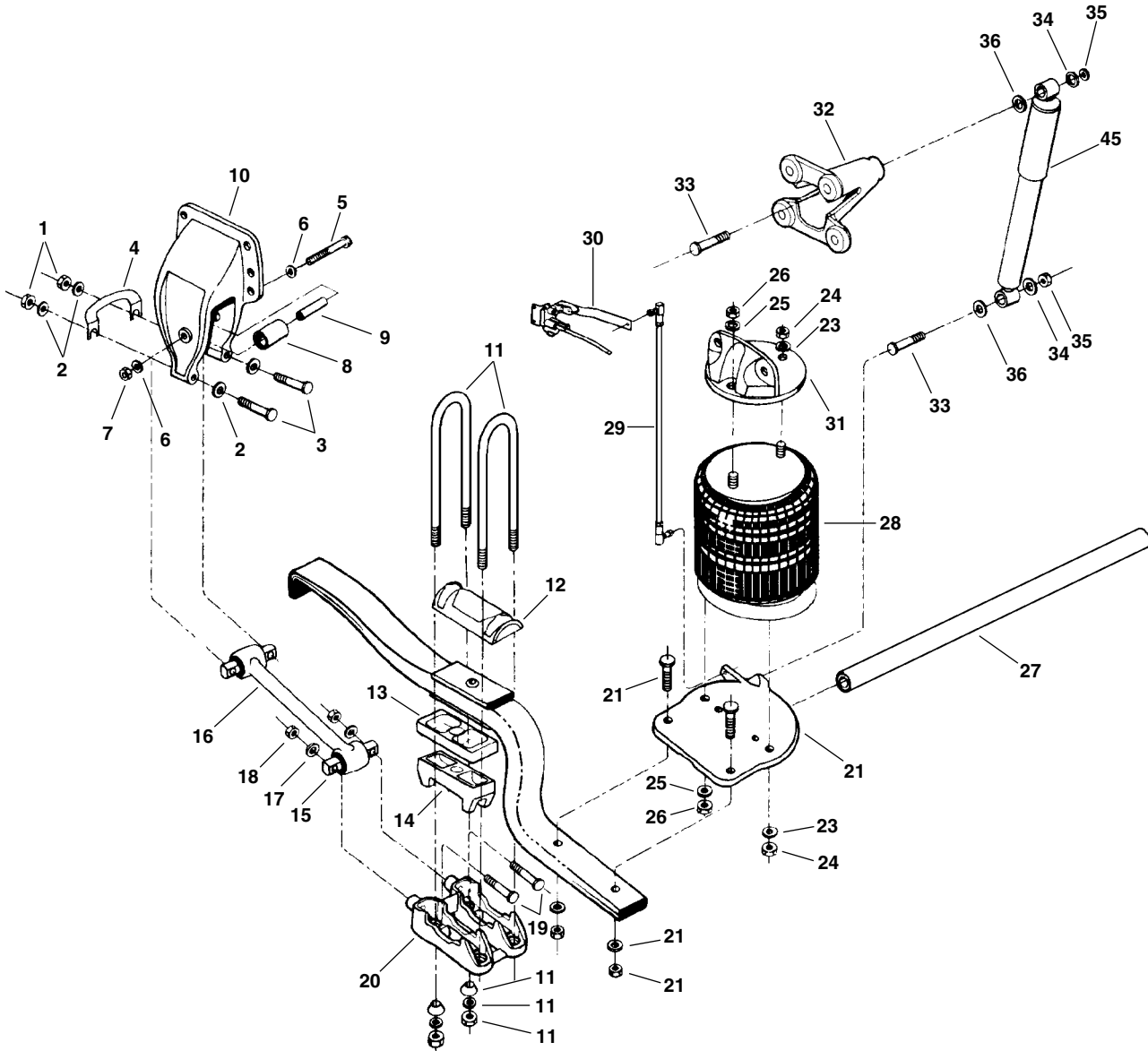
KEY NO.	MERITOR NO.	REPLACES HENDRICKSON NO.	CASTING NO.	DESCRIPTION	QUANTITY PER TANDEM	E4-360	E4-400	PAGE NO.
23	R305275	47691-000L		Torque Rod Bushing	8	X	X	1-215
24	R303731	48411-001		Torque Rod Assembly, Front 15.83" Center-to-Center	2	X	X	1-220
	R303732	48411-002		Torque Rod Assembly, Rear 21.93" Center-to-Center	2	X	X	1-220
25	R305281	49689-000		Torque Rod Shim	As Required	X	X	1-216
26	R305269	47420-000		Center Bushing		X	X	1-214, 2-48
	S.O.S.	48932-000		Urethane Center Bushing		Optional	Optional	—
27	R305270	47421-000 (New)		Spring Eye Bushing	4	X	X	1-215
		48401-000 (Old)						
	S.O.S.	48929-000		Urethane End Bushing		Optional	Optional	—
28	R303753A	56857-000 (New)	56855	Axle Bottom Cap, Left Hand Rear, 9.5-13° Pinion Angle	2	X	X	1-221
		49138-000 (Old)	48916					
	R303754A	56854-000 (New)	56852	Axle Bottom Cap, Right Hand Rear, 9.5-13°	2	X	X	1-221
		49139-000 (Old)	48919	Pinion Angle, Includes Key Nos. 29, 30, 31				
29	R303755	49063-000		Axle Cap Bolt	8	X	X	1-220
30	S.O.S.	22962-004		Flat Washer	16	X	X	—
31	S.O.S.	47764-000		Torque Rod Nut	8	X	X	—
32	R303738	48574-000		Spherical Washer	16	X	X	1-220
33	S.O.S.	48902-000		Spacer, 1"	4	X	X	—
	R303741	48903-000		Spacer, 1 1/2"	4	X	X	1-221
34	S.O.S.	49121-000	48657	Front Spring Seat, 2.25° Pinion Angle	2	X	X	—
	S.O.S.	49122-000	48692	Front Spring Seat, 3.25° Pinion Angle		X	X	
	S.O.S.	49123-000	48630	Front Spring Seat, 4.00° Pinion Angle		X	X	
	S.O.S.	56501-007(New)	49157	Front/Rear Spring Seat, 5.00° Pinion Angle		X	X	
	S.O.S.	49158-000 (Old)	49157	Front/Rear Spring Seat, 5.00° Pinion Angle		X	X	
	S.O.S.	49124-000	49143	Rear Spring Seat, 6.50° Pinion Angle	2	X	X	—
	S.O.S.	49125-000	48656	Rear Spring Seat, 9.50° Pinion Angle		X	X	
	S.O.S.	49126-000	48658	Rear Spring Seat, 10.50° Pinion Angle		X	X	
	S.O.S.	56505-009 (New)	48643	Rear Spring Seat, 12.00° Pinion Angle		X	X	
	S.O.S.	49127-000 (Old)	48643	Rear Spring Seat, 12.00° Pinion Angle		X	X	
—	S.O.S.	47411-001	47437	Equalizing Beam & Center Hanger Assembly	2	X		—
	S.O.S.	47445-001 (New)	47437	Equalizing Beam & Center Hanger Assembly	2		X	
	S.O.S.	47445-007 (Old)	47437	Equalizing Beam & Center Hanger Assembly	2		X	

S.O.S. = Available through Meritor's S.O.S. Department

HENDRICKSON HA-360/400/460 AIR RIDE SUSPENSION

(Formerly HA-340/380)
Truck/Tractor

OBSOLETE 6/87 - 8/95



LEAF SPRING REFERENCES

SRI No.

50-323

50-325

HENDRICKSON HA-360/400/460 AIR RIDE SUSPENSION PARTS (Formerly HA-340/380) Truck/Tractor

KEY NO.	MERITOR NO.	REPLACES HENDRICKSON NO.	CASTING NO.	DESCRIPTION	QUANTITY PER TANDEM	HA-			PAGE NO.		
						360	400	460			
—	R305277	49176-000		Torque Rod Fastener Kit	8	X	X	X	1-220		
1	Part of R305277	47764-000		Torque Rod Nut	8	X	X	X	1-220		
2	Part of R305277	22962-004		Flat Washer, 5/8" Hardened	16	X	X	X	1-220		
3	Part of R305277	32043-005		Torque Rod Bolt	8	X	X	X	1-220		
4	R305281	49689-000		Torque Rod Shim	As Required	X	X	X	1-220		
—	R309432	49175-005		Rebound Roller Assembly Includes Key Nos. 5, 6, 7, 8, 9	4	X	X	X	1-220		
5	Part of R309432	24531-015		Rebound Bolt	4	X	X	X	1-220		
6	Part of R309432	22962-014		Flat Washer, 1/2" Hardened	8	X	X	X	1-220		
7	Part of R309432	49846-000		Rebound Bolt Nut	4	X	X	X	1-220		
8	Part of R309432	48883-000 (Old)		Rebound Roller	4	X	X	X	1-220		
	Part of R309432	57989-000 (New)									
9	Part of R309432	47458-000 (Old)		Rebound Bolt Spacer	4	X	X	X	1-220		
	Part of R309432	57988-000 (New)									
10	R305299	56673-001 (New)	56672	Front Spring Hanger	4	X	X	X	1-221		
		49726-001 (Old)	49723								
	S.O.S.	56830-000 (New)	56829	Front Spring Hanger					X	X	X
		48533-000 (Old)	48442								
11	R30U8161-18S1	48718-050		U-Bolt Assembly, Rd. Bend, 7/8"-14 Thd. x 3" Wide x 18" Long	8	X	X	X	2-25		
12	R308926	49337-000		Top Pad	4	X	X	X	1-221		
13	R303740	48902-000		Spacer, 1"	4	X	X	X	1-221		
	R303741	48903-000		Spacer, 1 1/2"	4	X	X	X	1-221		
14	S.O.S.	Various		Spring Seat	4	X	X	X	—		
15	R305275	47691-000L		Torque Rod Bushing	8	X	X		1-220		
	R309395	57256-000		Torque Rod Bushing	8			X	1-220		
16	R303731	48411-001		Torque Rod Assembly, 15.83"*	4	X	X		1-220		
	S.O.S.	48411-003		Torque Rod Assembly, 16.50"*				X	X		—
	R303732	48411-002		Torque Rod Assembly, 21.00"*				X	X		1-220
	S.O.S.	50376-002		Torque Rod Assembly, 15.83"*						X	—
	S.O.S.	50376-003		Torque Rod Assembly, 16.50"*						X	—
17	S.O.S.	22962-004		Flat Washer, 5/8" Hardened	8	X	X		—		
18	S.O.S.	47764-000		Axle Cap Nut	8	X	X		—		
19	R303755	49063-000		Axle Cap Bolt	8	X	X		1-220		
20	R303754A	56854-000 (New)	56852	Axle Bottom Cap, Right Hand Rear, 9.5-12°	1	X	X	X	1-221		
	R303753A	56857-000 (New)	56855	Axle Bottom Cap, Left Hand Rear, 9.5-12°	1	X	X		1-221		
	S.O.S.	49659-000	48811	Axle Bottom Cap, Right Hand Front, 0-9.5°	1			X	—		
	S.O.S.	49660-000	48812	Axle Bottom Cap, Left Hand Rear, 0-9.5°	1			X	—		
	S.O.S.	56945-000	56855	Axle Bottom Cap, Left Hand Rear, 10-12°	1			X	—		
	S.O.S.	48390-000	48810	Axle Bottom Cap, Left Hand Front, Right Hand Rear, 0-5°	2			X	—		

S.O.S. = Available through Meritor's S.O.S. Department

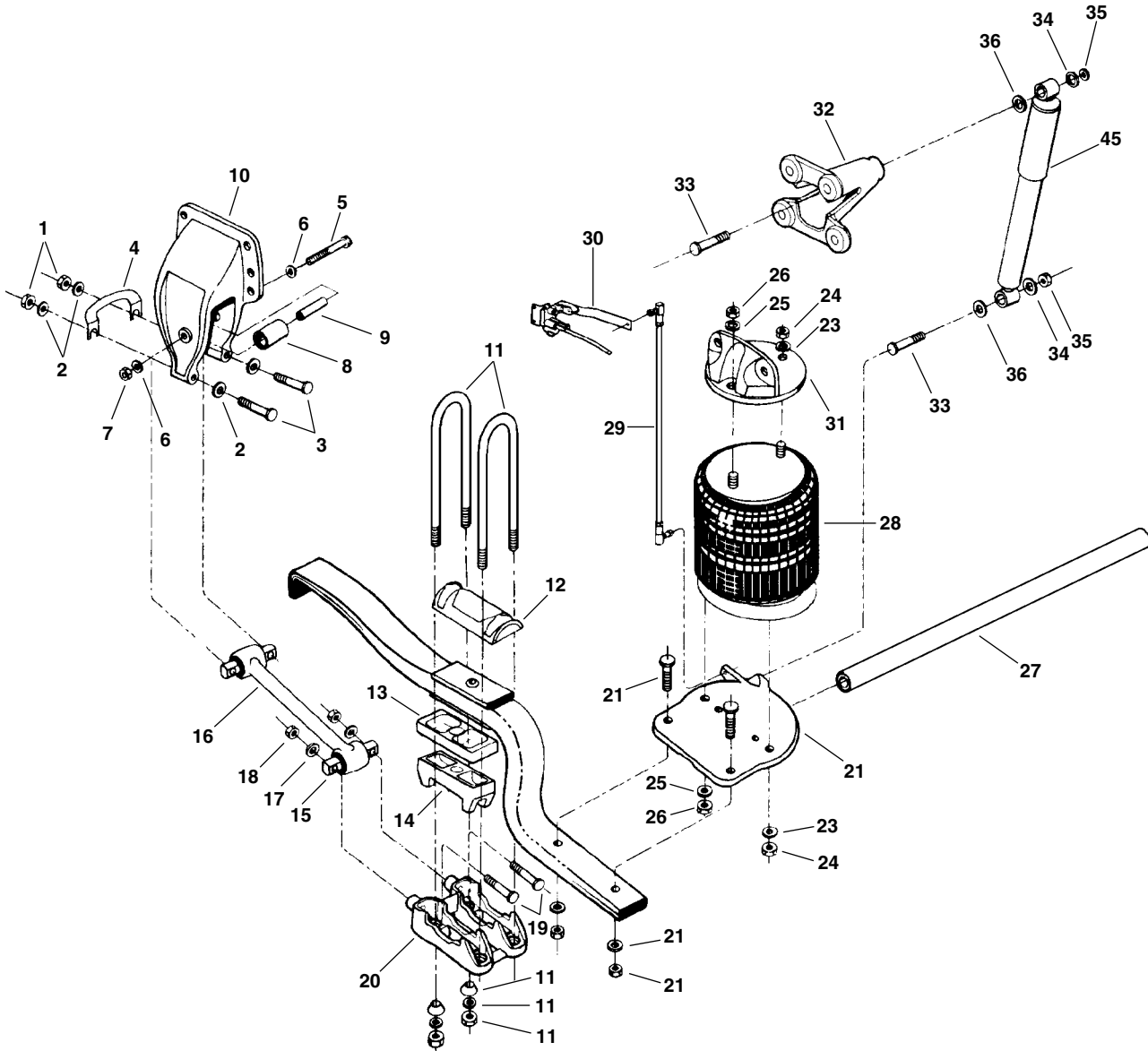
*Dimension is Center-to-Center Length

Continued on next page

HENDRICKSON HA-360/400/460 AIR RIDE SUSPENSION

(Formerly HA-340/380)
Truck/Tractor

OBSOLETE 6/87 - 8/95



LEAF SPRING REFERENCES

SRI No.

50-323

50-325

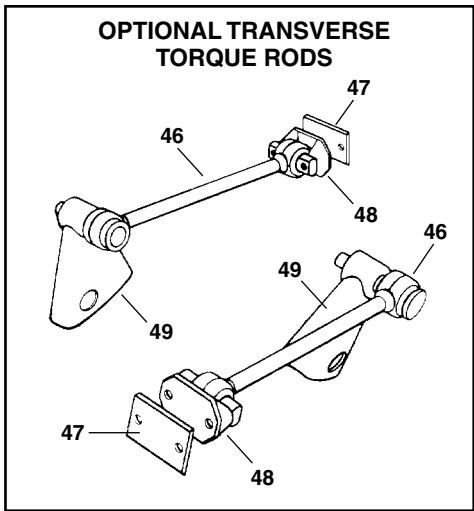
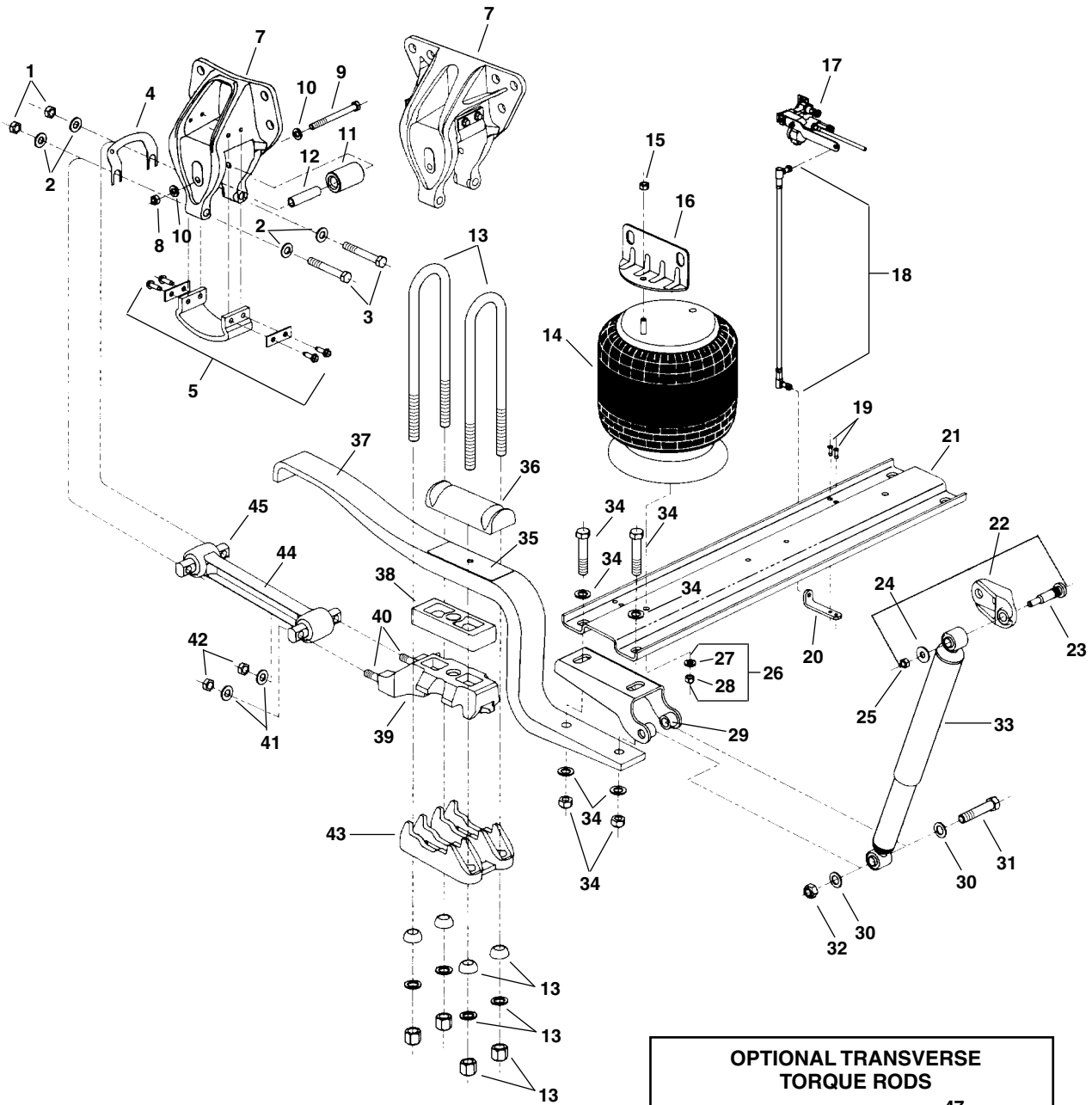
HENDRICKSON HA-360/400/460 AIR RIDE SUSPENSION PARTS (Formerly HA-340/380) Truck/Tractor

KEY NO.	MERITOR NO.	REPLACES HENDRICKSON NO.	CASTING NO.	DESCRIPTION	QUANTITY PER TANDEM	HA-			PAGE NO.
						360	400	460	
20	S.O.S.	48391-000	48810	Axle Bottom Cap, Right Hand Front, 0-5°	1			X	—
	S.O.S.	50367-000	48810	Axle Bottom Cap, Left Hand Rear, 0-5°	1			X	—
	S.O.S.	56944-000	56852	Axle Bottom Cap, Left Hand Rear, 6.5-12°	1			X	—
	S.O.S.	57219-000	56852	Axle Bottom Cap, Right Hand Rear, 6.5-12°, Includes Key Nos. 17, 18, 19	1			X	—
21	S.O.S.	48908-001	48836-1	Air Spring Bracket Assembly with Hardware, Left Hand	2	X	X	X	—
	S.O.S.	48908-002	48836-2	Air Spring Bracket Assembly with Hardware, Right Hand	2	X	X	X	—
—	S.O.S.	49177-001		Air Spring Fastener Kit Includes Key Nos. 22, 23, 24, 25	1	X	X	X	—
22	S.O.S.	17700-031		Nut, 3/4"	4	X	X	X	—
23	R302545	22962-001		Flat Washer, 3/4" Hardened	4	X	X	X	2-35
24	S.O.S.	17700-010		Nut, 1/2"	12	X	X	X	—
25	S.O.S.	22962-014		Flat Washer, 1/2" Hardened	12	X	X	X	—
26	S.O.S.	17700-010		1/2" Nut	12	X	X	X	—
27	S.O.S.	44642-022		Cross Tube	2	X	X	X	—
28	FS9287	50405-000 (New)		Air Spring, 1991-Up	4	X	X	X	—
	FS9466	49048-000 (Old)		Air Spring, Up to 1991					
29	R303760A	58994-021		Leveling Valve Arm Assembly	1	X	X	X	2-61
30	R3011494	60826-000		Leveling Valve, Barksdale Type	1	X	X	X	1-222
31	FS9227	48159-000	48152	Air Spring Frame Hanger, Old Style	4	X	X	X	—
32	S.O.S.	48924-000	48906	Shock Frame Hanger Includes Key Nos. 33, 34, 35	4	X	X	X	—
33	S.O.S.	50368-000		Shock Bolt	4	X	X	X	—
34	S.O.S.	22962-031		Flat Washer, 1/2" Hardened	8	X	X	X	—
35	S.O.S.	49846-000		Shock Nut, Replaces 49140	8	X	X	X	—
36	R302545	22962-001		Washer	8	X	X	X	2-35
45	83122	47902-008,13		Fleetline Shock, standard w/o mounting	4	X	X	X	3-13
	89406			GasSLX Shock					
	83123	47902-009,19		Fleetline Shock					
	89405			GasSLX Shock					
	S.O.S.		57905-003						
S.O.S.	57905-005		High Torque Rise-All w/Outboard Mount.						
—	See Torque Rod Section			Transverse Torque Rod Assembly	2	X	X	X	2-37
—	R302634	22186-000		Torque Rod Frame Bracket	2	X	X	X	1-222
—	S.O.S.	45045-003		Torque Rod Bracket Back Up Plate	2	X	X	X	—
—	R303762	30272-000		Pressure Protection Valve	1	X	X	X	2-56
—	R309389	48689-001		Quick Release Kit, Includes 49193-001, 48940-000, and 48689-000	1	X	X	X	1-223
—	Part of R309389	48914-000		Air Dump Switch (Located in Cab)	1	X	X	X	1-223
—	Part of R309389	49193-001		Synchro Relay Valve	1	X	X	X	1-223
—	Part of R309389	48940-000		Air Switch Name Plate (Located in Cab)	1	X	X	X	1-223

1

HENDRICKSON HAS 360/400/402/460 SUSPENSION

Truck/Tractor



LEAF SPRING REFERENCES

SRI No.
50-323
50-325

1

HENDRICKSON HAS 360/400/402/460 SUSPENSION PARTS Truck/Tractor

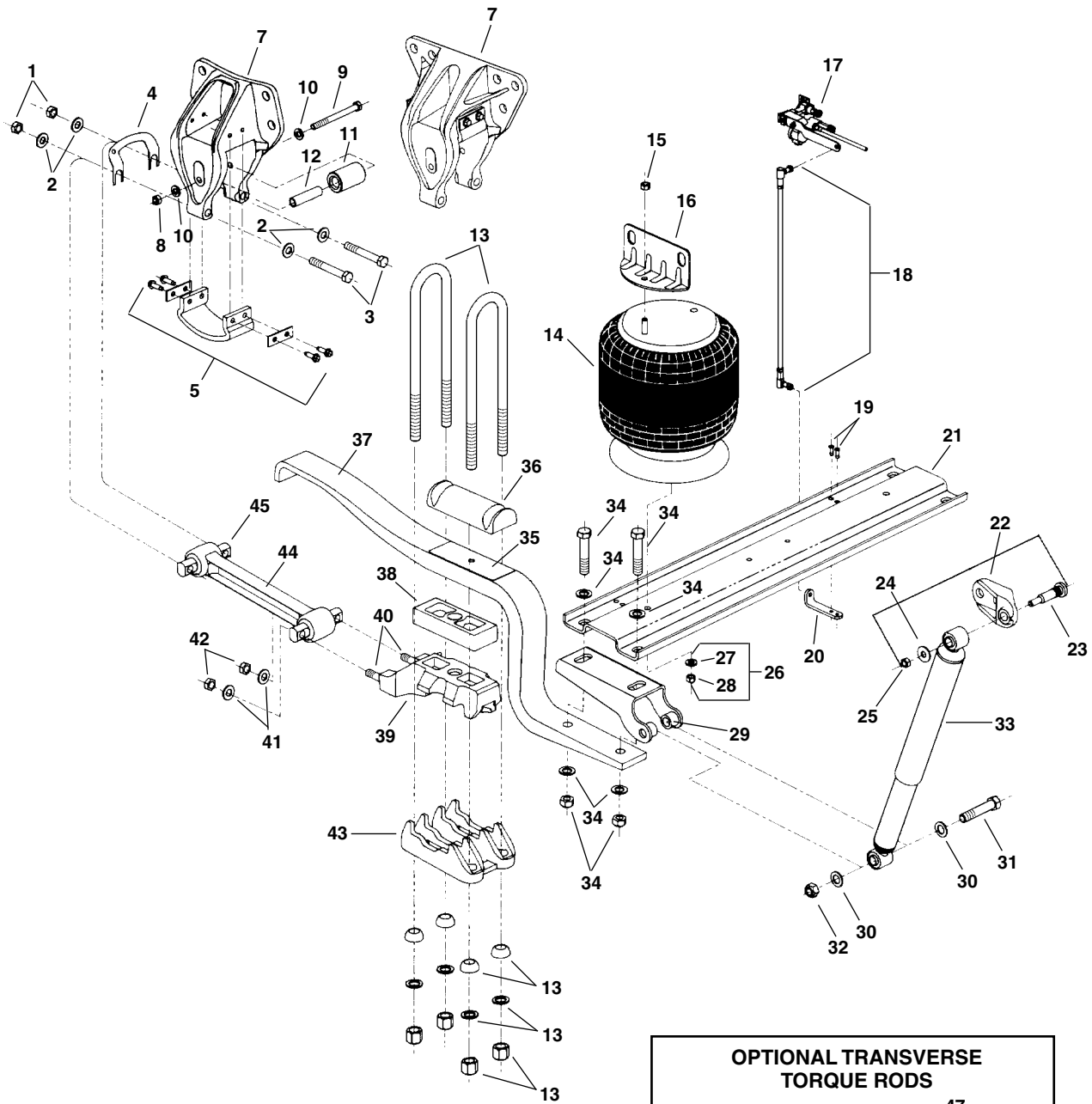
KEY NO.	MERITOR NO.	REPLACES HENDRICKSON NO.	DESCRIPTION	QUANTITY PER TANDEM	HAS				PAGE NO.
					360	400	402	460	
—	R305277	49176-001	Torque Rod Fastener Kit Includes Key Nos. 1, 2, 3	8	X	X	X	X	1-220
1	Part of R305277	47764-000	Torque Rod Nut	8	X	X	X	X	1-220
2	Part of R305277	29262-004	Flat Washer, 5/8" Hardened	16	X	X	X	X	1-220
3	Part of R305277	32043-005	Torque Rod Bolt	8	X	X	X	X	1-220
4	R305281	49689-000	Torque Rod Shim	As Required	X	X	X	X	1-220
5	R309391	56557-002	Slipper Pad Kit	4	X	X	X	X	1-221
7	R309387	50753-001	Front Spring Hanger Assembly	4	X				1-222
	R309386	58425-001		4		X	X	X	1-222
—	R309432	49175-005	Rebound Roller Assembly Includes Key Nos. 8,9,10,11,12	4	X	X	X	X	1-220
8	Part of R309432	49846-000	Rebound Bolt Nut	4	X	X	X	X	1-220
9	Part of R309432	24531-015	Rebound Bolt	4	X	X	X	X	1-220
10	Part of R309432	22962-014	Flat Washer, 1/2" Hardened	8	X	X	X	X	1-220
11	Part of R309432	48883-000 (Old)	Rebound Roller	4	X	X	X	X	1-220
	Part of R309432	57989-000 (New)							
12	Part of R309432	47458-000 (Old)	Rebound Bolt Spacer	4	X	X	X	X	1-220
	Part of R309432	57988-000 (New)							
13	R30U8161-18S1	48718-050	U-Bolt Assembly, Rd. Bend 7/8"-14 Thd. x 3" Wide x 18" Long	8	X	X	X	X	2-25
14	FS9373	57122-002L	Air Spring, Includes Key Nos. 15,16	4	X	X	X	X	—
15	S.O.S.	17700-010	Air Spring Lock Nut	4	X	X	X	X	—
16	R309392	50804-002	Air Spring Frame Hanger	4	X	X	X	X	1-223
17	R3011494	60826-000	Leveling Valve, Barksdale Type	1	X	X	X	X	1-222
18	R303760A	58994-021	Leveling Valve Arm Assembly	1	X	X	X	X	2-61
19	S.O.S.	57430-000	Arm Bracket Fastener Kit Includes Key No. 20	2	X	X	X	X	—
20	S.O.S.	56789-000	Control Valve Arm Bracket	1	X	X	X	X	—
21	S.O.S.	57318-001	Cross Channel	2	X	X	X	X	—
22	R309390	57322-001	Shock Frame Hanger Assembly Includes Key Nos. 23, 24, 25.	4	X	X	X	X	1-223
23	Part of R309390	50368-000	Shank Bolt, 1/2" Serrated	4	X	X	X	X	1-223
24	Part of R309390	22962-031	Flat Washer, 1/2" Hardened	4	X	X	X	X	1-223
25	Part of R309390	49846-000	Lock Nut	4	X	X	X	X	1-223
26	S.O.S.	49177-005	Air Spring Fastener Kit Includes Key No. 27, 28	1	X	X	X	X	—
27	S.O.S.	22962-014	Flat Washer, 1/2" Hardened	4	X	X	X	X	—
28	S.O.S.	17700-010	Lock Nut	4	X	X	X	X	—
29	S.O.S.	57356-000	Lower Shock Bracket Assembly Includes Key Nos. 30, 31, 32	4	X	X	X	X	—
30	R302545	22962-001	Flat Washer, 3/4" Hardened	8	X	X	X	X	2-35
31	S.O.S.	50764-002	Bolt, 5 1/2"	4	X	X	X	X	—
32	R304347	49842-000	Lock Nut	4	X	X	X	X	2-34

S.O.S. = Available through Meritor's S.O.S. Department

Continued on next page

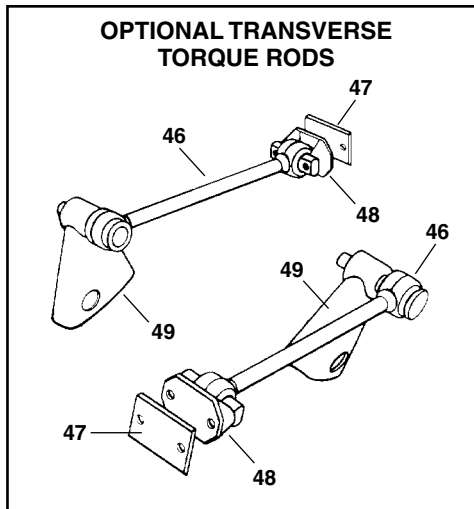
HENDRICKSON HAS 360/400/402/460 SUSPENSION

Truck/Tractor



LEAF SPRING REFERENCES

SRI No.
50-323
50-325



HENDRICKSON HAS 360/400/402/460 SUSPENSION PARTS

Truck/Tractor

KEY NO.	MERITOR NO.	REPLACES HENDRICKSON NO.	DESCRIPTION	QUANTITY PER TANDEM	HAS				PAGE NO.
					360	400	402	460	
33	83121	47902-24	Fleetline Shock Absorber	4	X	X	X	X	3-13
	85013	47902-28	Fleetline Shock Absorber						
	89414		GasSLX Shock Absorber						
	83123	47902-019, 009	Fleetline Shock Absorber	—	—	—	—	3-13	
	89405		GasSLX Shock Absorber						
	83111	57241-001,002	Fleetline Shock Absorber	4	—	—	—	—	3-14
	83109								
		S.O.S.	60675-003	High Torque Outboard Mounting	4	X	X	X	X
	S.O.S.	57905-004	High Torque Inboard Mounting	4	X	X	X	X	—
34	R309384	50763-001	Cross Channel Fastener Kit	1	X	X			1-223
	R309385	50763-003							
35	R309393	47905-000	Spring Liner	4	X	X	X	X	1-307
36	R309397	56805-000	Top Pad	4	X	X	X	X	1-222
37	S.O.S.	56940-000	Main Support Member, 1 3/4"	4	X				—
	S.O.S.	56943-000	Main Support Member, 1 7/8"						
	S.O.S.	56946-000	Main Support Member, 2"						
38	R303740	48902-000	Spring Spacer, 1"	As Required	X	X	X	X	1-221
	R303741	48903-000	Spring Spacer, 1 1/2"	As Required	X	X	X	X	1-221
39	S.O.S.	Various	Spring Seat Assembly Includes Key Nos. 40, 41, 42	4	X	X	X	X	—
40	S.O.S.	50918-000	Spring Seat Stud	8	X	X	X	X	—
41	S.O.S.	22962-004	Flat Washer, 5/8" Hardened	8	X	X	X	X	—
42	S.O.S.	47764-000	Spring Seat Nut	8	X	X	X	X	—
43	S.O.S.	Various	Axle Bottom Cap	4	X	X	X	X	—
44	R309409	48411-006	Torque Rod, 14.41" Long *	4	X	X	X		1-218, 2-41
	R309394	50376-001	Torque Rod, 14.41" Long *						
45	R305275	47691-000L	Torque Rod Bushing	8	X	X	X		1-220
	R309395	57256-000	Torque Rod Bushing						
46	See Torque Rod Section		Transverse Rod Assembly	2	X	X	X	X	2-36
47	S.O.S.	45045-003	Torque Rod Bracket Back Up Plate	2	X	X	X	X	—
48	R302634	22186-000	Transverse Rod Frame Bracket	2	X	X	X	X	1-222
49	S.O.S.	Various	Transverse Rod Axle Bracket	2	X	X	X	X	—
—	R309389	48689-001	Quick Release Kit Includes 49193-001, 48940-000, and 48940-000	1	X	X	X	X	1-223
—	Part of R309389	49193-001	Synchro Relay Valve	1	X	X	X	X	1-223
—	Part of R309389	48914-000	Air Dump Switch (Located in Cab)	1	X	X	X	X	1-223
—	Part of R309389	48940-000	Air Switch Name Plate (Located in Cab)	1	X	X	X	X	1-223
—	R303762	30272-000	Pressure Protection Valve	1	X	X	X	X	2-56

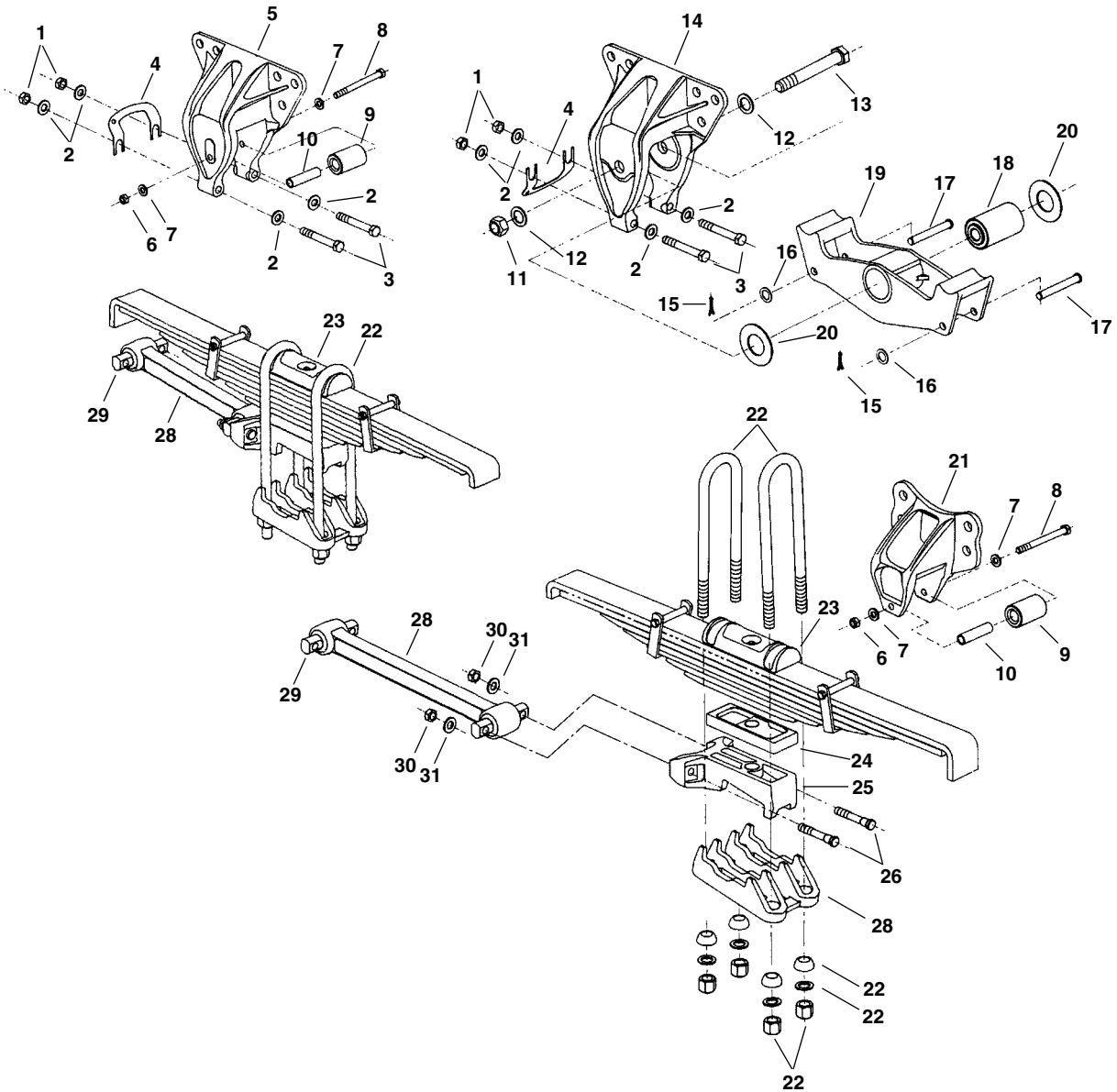
* Dimension is Center-to-Center Length

S.O.S. = Available through Meritor's S.O.S. Department

1

HENDRICKSON HFS-360/400

Truck/Tractor



LEAF SPRING REFERENCES

SRI No.

50795-50-357

50796-50-359

HENDRICKSON HFS-360/400 PARTS

Truck/Tractor

KEY NO.	MERITOR NO.	REPLACES HENDRICKSON NO.	CASTING NO.	DESCRIPTION	QUANTITY PER TANDEM	HFS-360	HFS-400	PAGE NO.
—	R305277	49176-001		Torque Rod Fastener Kit	8	X	X	1-218
1	Part of R305277	47764-000		Torque Rod Nut	8	X	X	1-218
2	Part of R305277	22962-004		Flat Washer, 5/8" Hardened	16	X	X	1-218
3	Part of R305277	32043-005		Torque Rod Bolt	8	X	X	1-218
4	R305281	49689-000		Torque Rod Shim	As Required	X	X	1-218
5	R309404	56667-001 (New)	56666-000	Front Spring Hanger	2	X		1-219
		50027-001 (Old)	49848-000					
	R309405	56670-001 (New)	56669-000	Front Spring Hanger	2		X	1-219
		50292-001 (Old)	50291-000					
—	R309432	49175-005 (Old)		Rebound Roller Assembly Includes Key Nos. 6,7,8,9,10	4	X	X	1-216
		49175-013 (New)						
6	Part of R309432	49846-000		Rebound Bolt Nut	4	X	X	1-219
7	Part of R309432	22962-014		Flat Washer, 1/2" Hardened	8	X	X	1-219
8	Part of R309432	24531-015		Rebound Bolt	4	X	X	1-219
9	Part of R309432	48883-000 (Old)		Rebound Roller	4	X	X	1-219
	Part of R309432	57989-000 (New)						
10	Part of R309432	47458-000 (Old)		Rebound Spacer	4	X	X	1-219
	Part of R309432	57988-000 (New)						
11	R301828	08017-000		Center Bushing Nut, 1"	2	X	X	2-34
12	R302573	22962-006		Flat Washer, 1" Hardened	4	X	X	2-35
13	R305271	30550-035		Center Bushing Bolt, 1"	2	X	X	2-33
14	R309400	56676-001 (New)	56675-000	Center Spring Hanger	2	X	X	1-219
		50290-001 (Old)	50289-000					
15	N/A	17800-013		Cotter Pin	4	X	X	—
16	N/A	50924-000		Washer, 5/8" Hardened	4	X	X	—
17	N/A	50432-000		Clevis Pin	4	X	X	—
18	R305269	47420-000		Center Bushing	2	X	X	1-214, 2-48
19	R309402	49803-002	49801-002	Equalizing Beam Assembly Includes Key Nos. 15, 16, 17, 18	2	X	X	1-218
20	R305273	47416-000		Thrust Washer	4	X	X	2-35
21	R309406	50028-001	49954-000	Rear Hanger	2	X	X	1-219
22	R30U8161-18S1	48718-050		U-Bolt Assembly	16	X	X	2-25
23	R309408	50788-000		Top Pad	4	X	X	1-219
24	R303740	48902-000		Spring Spacer, 1"	As Required	X	X	1-219
	R303741	48903-000		Spring Spacer, 1 1/2"				
25	S.O.S.	Various		Spring Seat Assembly	2	X	X	—
26	R303755	49063-000		Spring Seat Bolt	8	X	X	1-220
27	S.O.S.	Various		Axle Bottom Cap	2	X	X	—
28	R309409	48411-006		Front Torque Rod, 14.41**	2	X	X	1-218, 2-41
	R309407	48411-007		Rear Torque Rod, 20.31**	2	X	X	1-218, 2-41
29	R305275	47691-000L		Torque Rod Bushing	8	X	X	1-218
30	S.O.S.	47764-000		Axle Cap Stud Nut	8	X	X	—
31	S.O.S.	22962-004		Axle Cap Stud Washer	8	X	X	—
—	S.O.S.	50681-001 (Old)		Hanger and Equalizer Assembly Includes Key Nos. 11, 12, 13, 14, 19, 20	2	X		—
		50681-002 (New)						

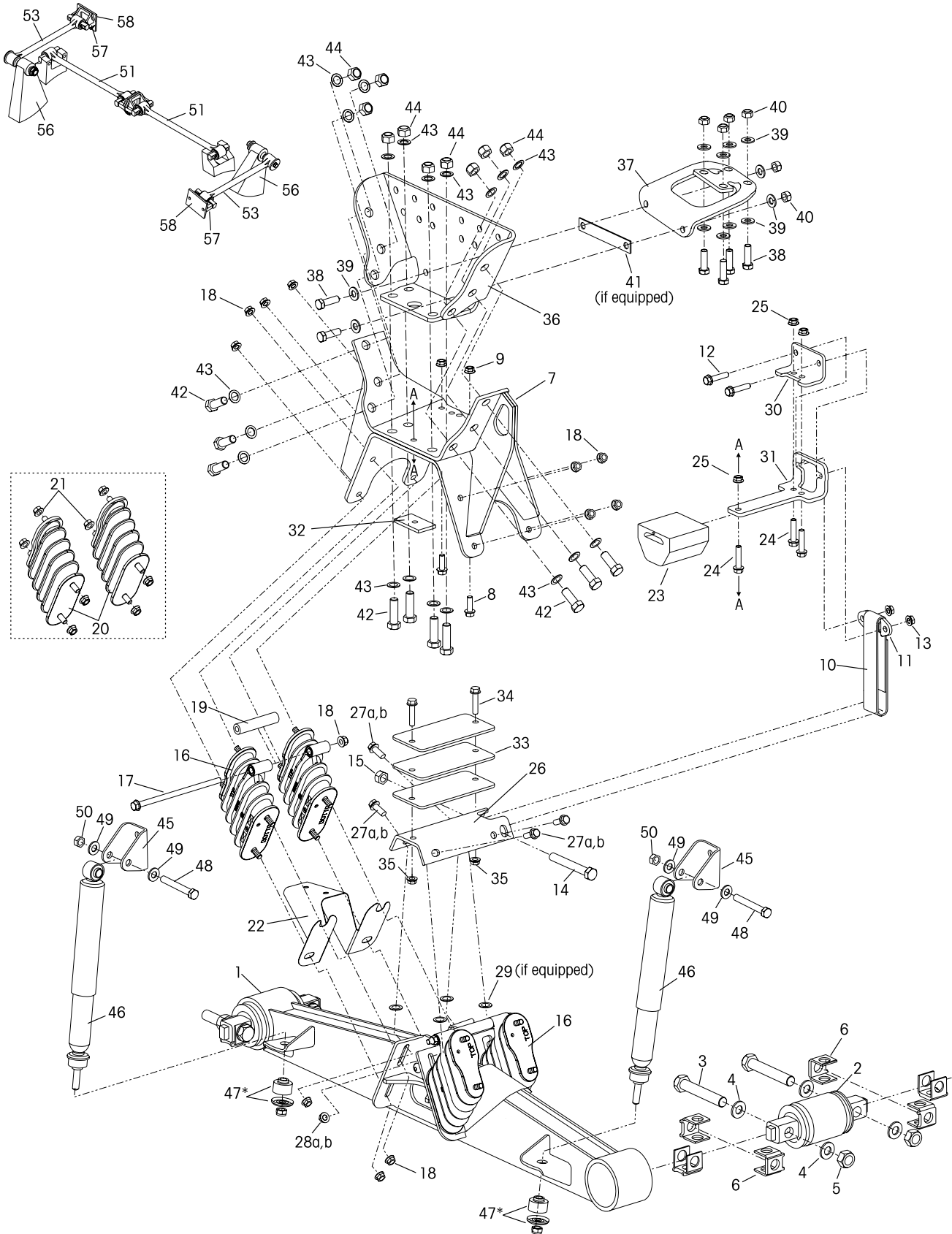
S.O.S. = Available through Meritor's S.O.S. Department

*Dimension is Center-to-Center Length

N/A = Part No Longer Available

HENDRICKSON HAULMAX® HEAVY DUTY SUSPENSION

Truck / Tractor



1

HENDRICKSON HAULMAAX® HEAVY DUTY SUSPENSION PARTS Truck / Tractor

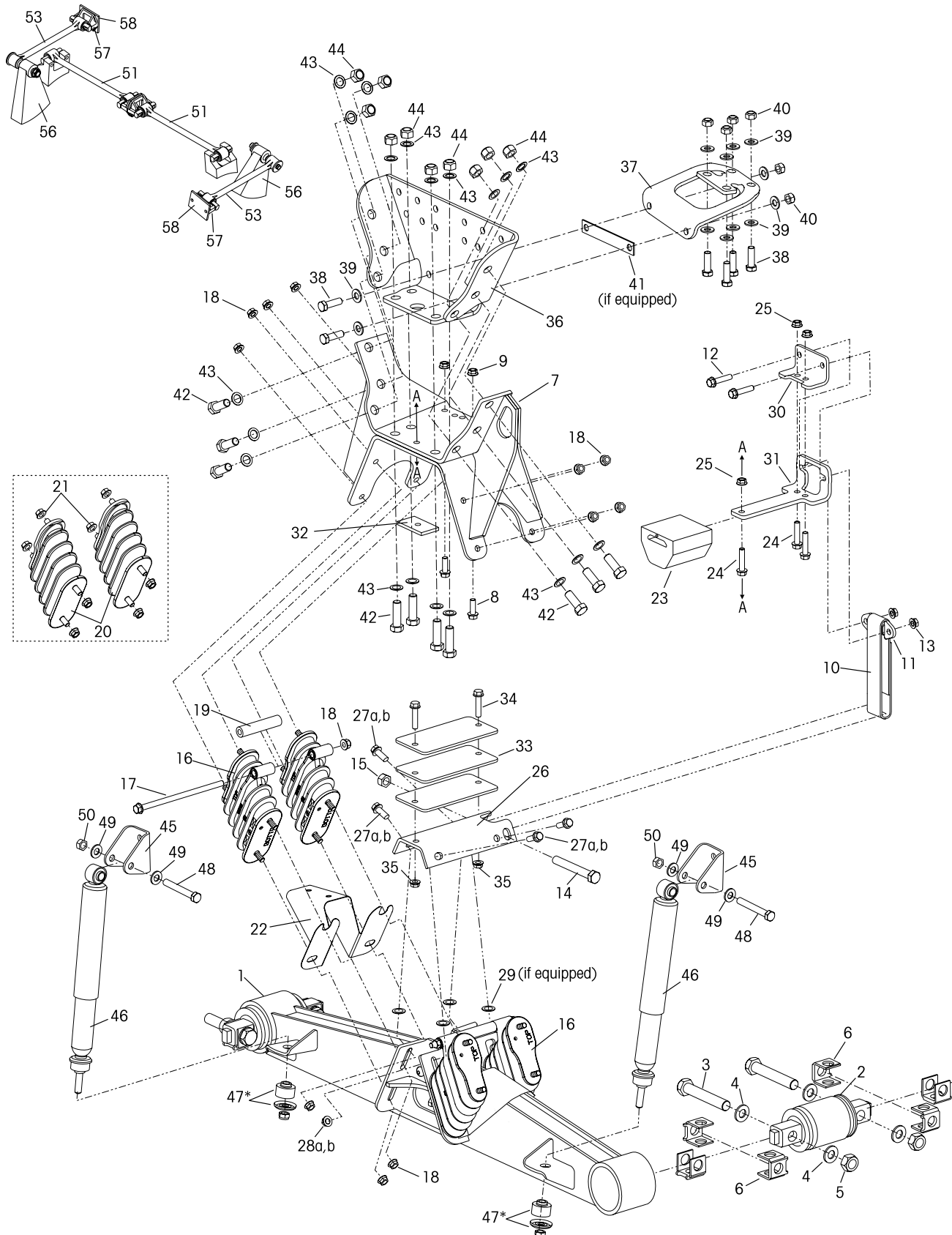
KEY NO.	MERITOR NO.	REPLACES HENDRICKSON NO.	DESCRIPTION	QTY. PER TANDEM	PAGE NO.
1	S.O.S.	Various	Equalizing Beam Assembly 400/460	2	—
—	R309326	34013-088L	Bar Pin Bushing Service Kit (Includes Key Nos 2-6)	4	1-192
2	S.O.S.	—	Bar Pin Bushing	4	—
3	S.O.S.	48941-000	1"-8 UNC Hex 6.0" Bolt	8	—
4	S.O.S.	22962-008	1" Hardened Washer	16	—
5	S.O.S.	48942-000	1"-8 UNC Locknut	8	—
6	R309327	50130-000	Bar Pin Shim 0.19/0.19	8	1-192
	R309328	50131-000	Bar Pin Shim 0.25/0.12		
7	S.O.S.	Various	Saddle Assembly	2	—
8	S.O.S.	60818-001	1/2"-13 UNC 1.5" Flange Bolt	4	—
9	S.O.S.	60819-000	1/2"-13 UNC Flange Nut	4	—
—	S.O.S.	64179-028	Rebound Strap Service Kit (Includes Key Nos 10-15)	As Required	—
10	R3013986	57878-003	Rebound Strap	2	1-227
11	S.O.S.	60612-000	Rebound Clip	2	—
12	S.O.S.	60818-002	1/2"-13 UNC 2.25" Flange Bolt	4	—
13	S.O.S.	60819-000	1/2"-13 UNC Flange Nut	4	—
14	S.O.S.	21867-007	3/4"-16 UNF 6.0" Hex Bolt	2	—
15	S.O.S.	30191-000	3/4"-16 UNF Locknut	2	—
—	R3014044	64179-037	Tie-Bar Bolster Spring Service Kit (Includes Key Nos 16-19)	4	1-234
16	R3014373	65743-000	Tie-Bar Bolster Spring	8	1-234
17	S.O.S.	60818-003	1/2"-13 UNC 10.0" Flange Bolt	4	—
18	S.O.S.	60819-000	1/2"-13 UNC Flange Nut	36	—
19	S.O.S.	65742-000	Bolster Spring Spacer	4	—
—	R3014374	64179-002	Bolster Spring w/o Tie-Bar Service Kit (Includes Key Nos 20-21)	4	—
20	R3014375	59257-000	Bolster Spring	8	1-234
21	S.O.S.	60819-000	1/2"-13 UNC Flange Nut	32	—
22	S.O.S.	64890-000	Wear Plate	4	—
—	S.O.S.	64179-004	Auxiliary Spring Service Kit (Includes Key Nos 23-25)	As Required	—
23	R3014047	60314-000	Auxiliary Spring	4	1-227
24	S.O.S.	60818-002	1/2"-13 UNC 2.25" Flange Bolt	6	—
25	S.O.S.	60819-000	1/2"-13 UNC Flange Nut	6	—
—	S.O.S.	57974-046	HMX Contact Plate Kit w/Fasteners (Includes Key Nos 26, 27a, 28a)	As Required	—
26	S.O.S.	—	Auxiliary Spring Contact Plate	2	—
27a	S.O.S.	67290-001	5/8"-11 UNC 1.5" Dacromet XL Flange Bolt	8	—
27b	S.O.S.	60818-001	1/2"-13 UNC 1.5" Flange Bolt		—
28a	S.O.S.	67291-000	5/8"-11 UNC Dacromet XL Flange Nut		—
28b	S.O.S.	60819-000	1/2"-13 UNC Flange Nut		—
29	S.O.S.	22962-014	Auxiliary Spring Contact Plate Spacer - Vehicles Built Prior to 11/07	8	—

S.O.S. = Available through Meritor's S.O.S. Department

Continued on next page

HENDRICKSON HAULMAX® HEAVY DUTY SUSPENSION

Truck / Tractor



1

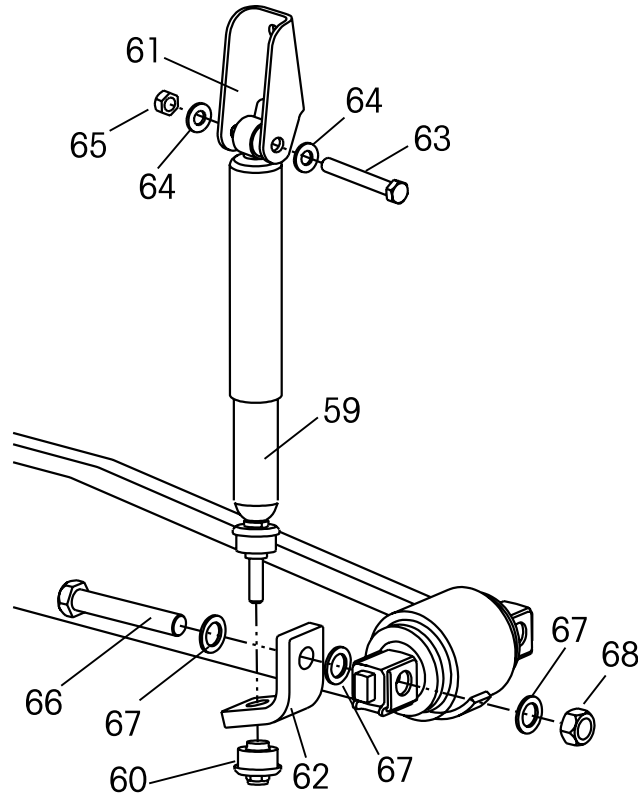
HENDRICKSON HAULMAAX® HEAVY DUTY SUSPENSION PARTS Truck / Tractor

KEY NO.	MERITOR NO.	REPLACES HENDRICKSON NO.	DESCRIPTION	QTY. PER TANDEM	PAGE NO.
30	S.O.S.	60613-000	Rebound Support Angle	2	—
31	S.O.S.	59384-000	Auxiliary Spring Bracket	2	2-33
32	S.O.S.	60874-000	Auxiliary Spring Spacer	2	—
33	S.O.S.	60791-000	Auxiliary Spring Shim - 0.25"	6	—
34	S.O.S.	60818-001	1/2"-13 UNC Flange Bolt 1.5"	4	—
	S.O.S.	60818-002	1/2"-13 UNC Flange Bolt 2.25"		—
35	S.O.S.	60819-000	1/2"-13 UNC Flange Nut	4	—
36	S.O.S.	—	Outboard Frame Bracket	2	—
37	S.O.S.	—	Inboard Frame Bracket	2	—
38	S.O.S.	32043-004	5/8"-11 UNC 2.25" Hex Bolt	12	—
39	S.O.S.	22962-004	5/8" Hardened Washer	24	—
40	S.O.S.	47764-000	5/8"-11 UNC Locknut	12	—
41	S.O.S.	Various	Inboard Spacer (If Equipped)	2	—
—	S.O.S.	64179-038	Outboard Frame Bracket to Saddle Assembly Fastener Kit (Includes Key Nos 42-44)	As Required	—
—	S.O.S.	64179-039	Outboard Frame Bracket to Saddle Assembly Fastener Kit (Includes Key Nos 42-44)	As Required	—
42	S.O.S.	58258-014	M20 x 2.5-6G 65 mm Hex Bolt	20	—
43	S.O.S.	58246-018	M20 Hardened Washer	40	—
44	S.O.S.	58259-001	M20 x 2.5-6H Locknut	20	—
45	S.O.S.	60304-000	Upper Shock Bracket (if equipped)	4	—
—	S.O.S.	Various	Shock Absorber Service Kit (Includes Key Nos 46-50)	4	—
46	S.O.S.	Various	Shock Absorber Assembly (Includes Key No 47)	4	—
47	S.O.S.	—	Retaining Washer and Bushing	8	—
48	S.O.S.	32043-003	5/8"-11 UNC 3.25" Hex Bolt	4	—
49	S.O.S.	22962-004	5/8" Hardened Washer	8	—
50	S.O.S.	47764-000	5/8"-11 UNC Locknut	4	—
51	S.O.S.	Various	Ultra Rod Longitudinal Torque Rod Straddle/Straddle Assembly (Includes Key No 52)		—
52	R305275	47691-000L	Ultra Rod Straddle Bushing (Not Shown)	4	1-220
53	S.O.S.	62350-	Ultra Rod Transverse Torque Rod Straddle/Taper Assembly (Includes Key Nos 54-55)	2	—
54	R305275	47691-000L	Ultra Rod Straddle Bushing (Not Shown)	2	1-220
55	R3010309	64697-000H	Ultra Rod Taper Bushing (Not Shown)	2	—
56	S.O.S.	—	Transverse Rod Axle Bracket	2	—
57	R302634	22186-000	Transverse Rod Frame Bracket	2	1-214
58	S.O.S.	45045-003	Back-up Plate (for Torque Rod)	2	—

S.O.S. = Available through Meritor's S.O.S. Department

HENDRICKSON HAULMAAX® AFTERMARKET SHOCK ABSORBER KIT

Truck / Tractor

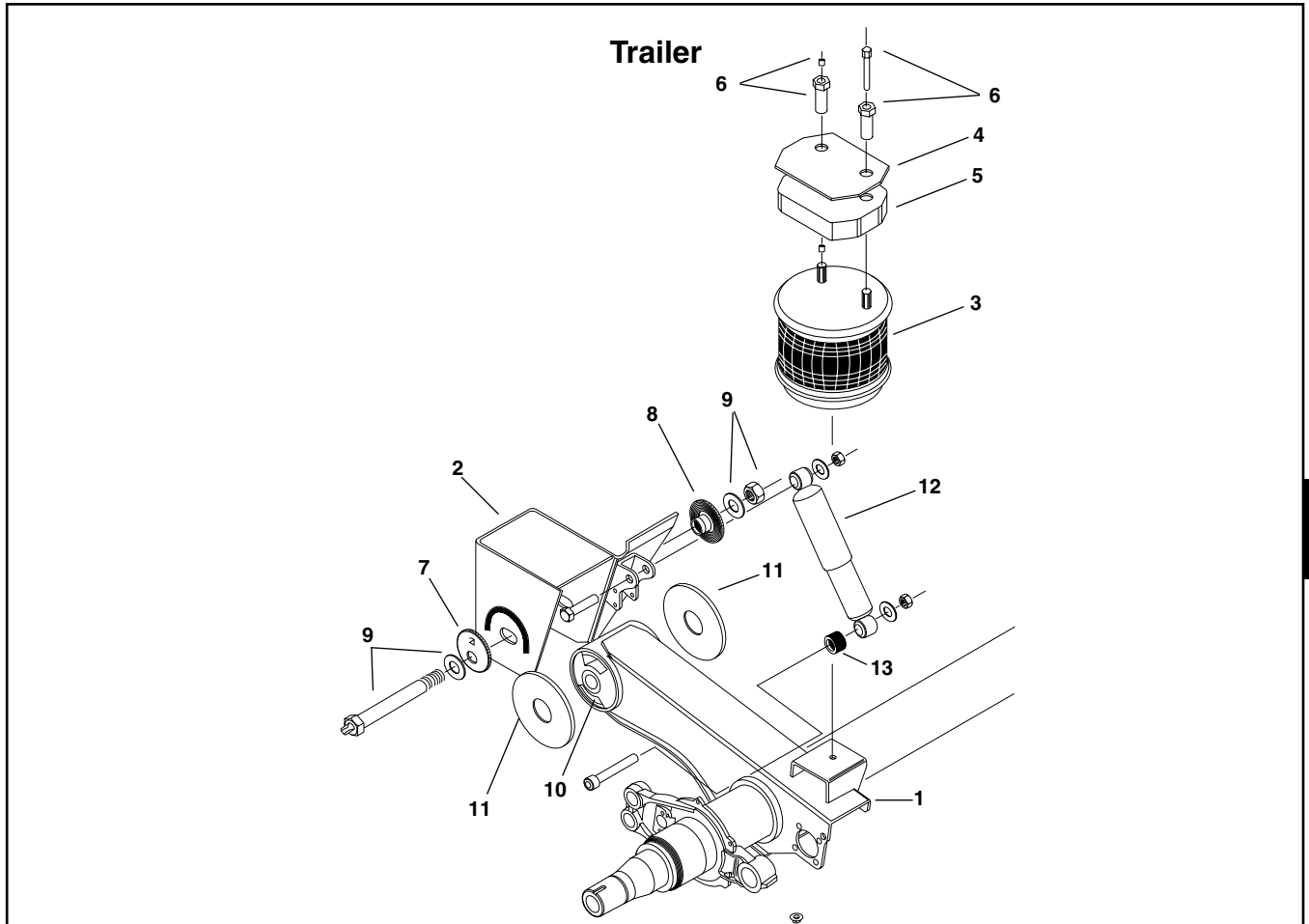


1

KEY NO.	MERITOR NO.	REPLACES HENDRICKSON NO.	DESCRIPTION	QTY. PER TANDEM	PAGE NO.
—	S.O.S.	Various	Shock Absorber Service Kit (Includes Key Nos 59-68)	As Required	—
59	R3014045	60680-004L	Shock Absorber Assembly - 16.5" Saddle Ht. (Includes Key No 60)	4	1-233
	R3014046	60680-005L	Shock Absorber Assembly - 17.5"/18.5" Saddle Ht. (Includes Key No 60)		1-233
60	S.O.S.	—	Retaining Washer and Bushing	2	—
61	S.O.S.	64146-000	Upper Shock Bracket	4	—
62	S.O.S.	Various	Lower Shock Bracket	2	—
63	S.O.S.	32043-005	5/8"-1 UNC 4.5" Hex Bolt	4	—
64	S.O.S.	22962-004	5/8" Hardened Washer	8	—
65	S.O.S.	47764-000	5/8"-1 UNC Locknut	4	—
66	S.O.S.	48941-001	1"-8 UNC 6.75" Hex Bolt	4	—
67	S.O.S.	22962-008	1" Hardened Washer	12	—
68	S.O.S.	48942-000	1"-8 UNC Locknut	4	—

S.O.S. = Available through Meritor's S.O.S. Department

HENDRICKSON INTRAAX® AAT - 23K, 25K & 30K SUSPENSION



1

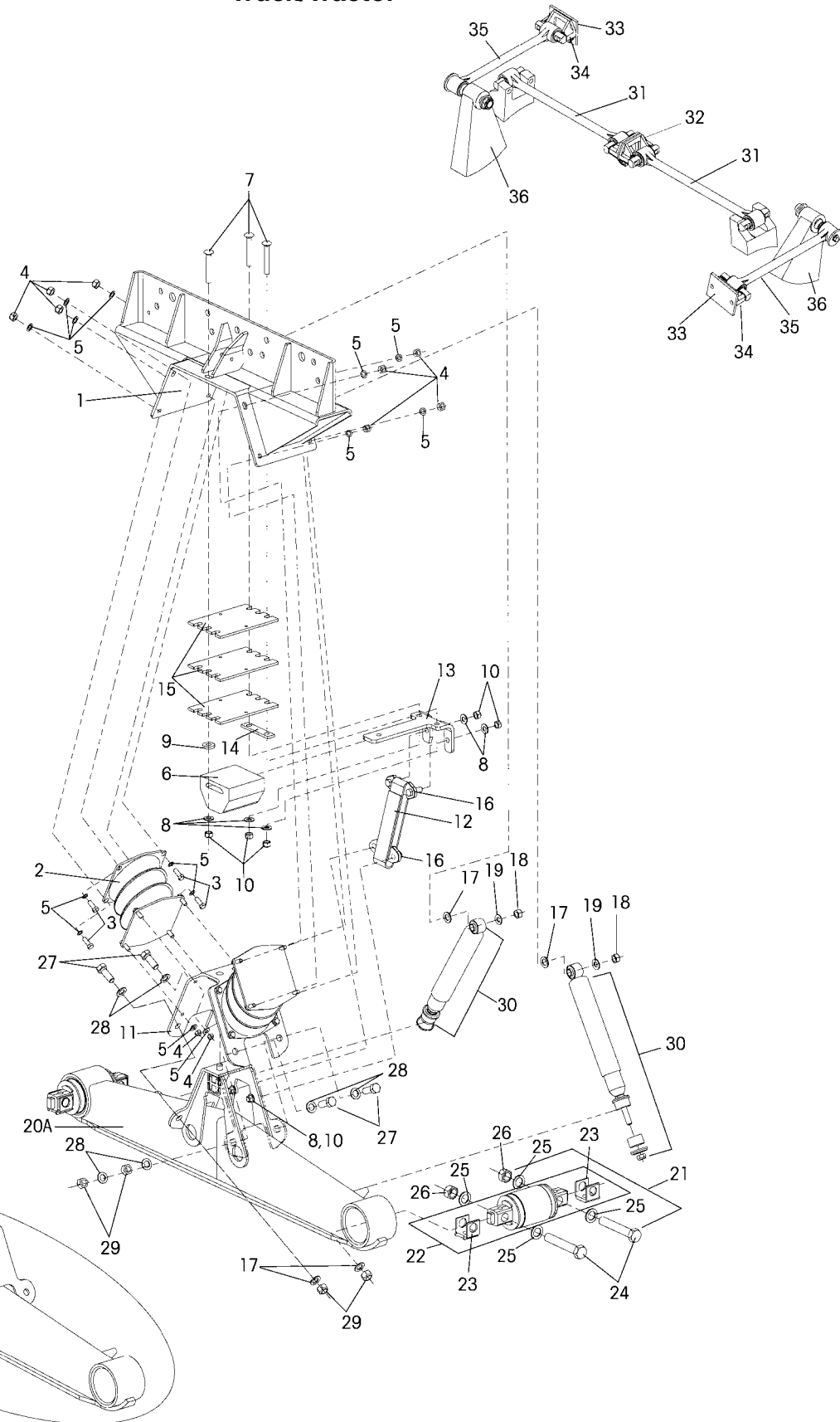
KEY NO.	MERITOR NO.	REPLACES HENDRICKSON NO.	DESCRIPTION	QTY. PER AXLE	23K	25K	30K	PAGE NO.
					X	X	X	
1	S.O.S.	Various	Half-Traax Axle Beam Kits, Contact Tech-Service	2	X	X	X	—
2	S.O.S.	Various	Frame Bracket, Contact Tech Service with Model & Serial No.	2	X	X	X	—
3	FS8709	S-21800	Air Spring Assembly	2	X			—
	FS8091	S-21784	Air Spring / Disk Assembly	2		X		
	S.O.S.	S-27341	Air Spring	2			X	
4	R3014337	B-21145	Air Spring Plate, Bolt-On	2	X	X	X	1-233
	R3014338	B-20905	Air Spring Plate, Weld-On	2	X	X	X	
5	R3014339	B-22510-1	Air Spring Spacer, 1 1/8" Thick, 15" Ride Height	2	X	X	X	1-233
	R3014340	B-22510-2	Air Spring Spacer, 1 7/8" Thick, 16" Ride Height	2	X	X	X	
	R3014341	B-22510-3	Air Spring Spacer, 3 1/8" Thick, 17" Ride Height	2	X	X	X	
6	R3014342	S-22619/2	Air Spring Fitting Kit, - No Spacer 13.5", 14", 18", and 19" Ride Heights	2	X	X	X	1-233
	R3014343	S-22630/2	Air Spring Fitting Kit, 1" Spacer, 15" Ride Height	2	X	X	X	
	R3014344	S-22631/2	Air Spring Fitting Kit, 2" Spacer, 16" Ride Height	2	X	X	X	
	R3014345	S-22632/2	Air Spring Fitting Kit, 3" Spacer, 17" Ride Height	2	X	X	X	
7	R3010754	S-20925	Outboard Eccentric Alignment Collar, Offset Nipple	2	X	X	X	—
8	R3010755	S-20924	Inboard Concentric Alignment Collar, Nipple In Center	2	X	X	X	—
9	R3010730A	S-24679	QUIK-ALIGN™ Pivot Bolt Kit, Includes Bolt, Nut, Washers	2	X	X	X	1-225
10	R3010729A	S-24691	QUIK-ALIGN™ Bushing Kit, Includes Key 9,10,11	2	X	X	X	1-225
11	R306122	S-21099	Standard Wear Pad, Part of R3010729A	4	X	X	X	1-226
12	85000 or 89436	S-20002	Fleetline or GasSLX Shock Absorbers, Standard	2	X	X		3-14
	85323 or 89436	S-20126	Fleetline or GasSLX Shock Absorbers, High Damping	2	X	X	X	
13	R3011831	A-20913	Spacer	2	X	X	X	—

S.O.S. = Available through Meritor's S.O.S. Department

HENDRICKSON HN-402/462/522 SUSPENSION

Truck/Tractor

11/00 To Current



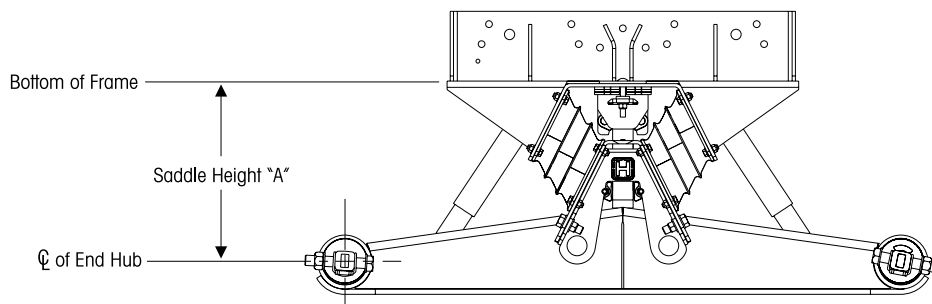
HENDRICKSON HN-402/462/522 SUSPENSION PARTS

Truck/Tractor

KEY NO.	MERITOR NO.	REPLACES HENDRICKSON NO.	DESCRIPTION	QTY. PER TANDEM	PAGE NO.
1	S.O.S.		HN-402/462 Saddle Assembly (Includes Key Nos 2-19)	2	—
		60686-	Specify Truck Manufacturer and Saddle Height "A" as shown in the illustration below - 16.5", 17.5" or 18.5"		
		58650-	Specify Truck Manufacturer and Saddle Height "A" as shown in the illustration below - 20.25" or 22.50"		
2	R3011496	60879-000L	Bolster Spring Service Kit (Must be replaced in pairs)	2	1-224
3	S.O.S.	25114-011	7/16"-20-1.25" Bolt	32	—
4	S.O.S.	48949-000	7/16"-20 UNF-2B Locknut	32	—
5	S.O.S.	22962-027	7/16" Washer	64	—
6	R3014047	60314-000	Auxiliary Spring Assembly	2	1-227
7	S.O.S.	58196-005	1/2"-13 UNC-2A Round Head Square Neck Bolt 3.25	6	—
8	S.O.S.	22962-011	1/2" Washer	6	—
9	S.O.S.	22962-020	1/2" Washer	2	—
10	S.O.S.	49846-000	1/2"-13 UNC-2A Locknut	6	—
11	S.O.S.	58343-001	Saddle Vee Bracket	2	—
12	R3013986	57878-003	Rebound Strap	2	1-227
13	S.O.S.	58948-001	Rebound Strap Mounting Plate	2	—
14	S.O.S.	58949-000	Auxiliary Spring Mounting Plate Shim	2	—
15	S.O.S.	58960-003	Auxiliary Spring Mounting Shim	2	—
16	S.O.S.	60639-000	Anchor Plate Assembly	4	—
17	R302545	22962-001	3/4" Washer	4	2-35
18	S.O.S.	30585-000	5/8" Locknut	4	—
19	S.O.S.	22962-004	5/8" Washer	4	—
20a	S.O.S.	58494-001	Equalizing Beam Assembly HN-462, 54" Non-Shim Type	2	—
	S.O.S.	58494-002	Equalizing Beam Assembly HN-464, 54" Shim Type		
	S.O.S.	58494-005	Equalizing Beam Assembly HN-402/462, 60" Non-Shim Type		
	S.O.S.	58494-006	Equalizing Beam Assembly HN-402/462, 60" Shim Type		
	S.O.S.	58494-009	Equalizing Beam Assembly HN-402/462, 72.5" Non-Shim Type		
	S.O.S.	58494-010	Equalizing Beam Assembly HN-402/462, 72.5" Shim Type		
	S.O.S.	59973-003	Equalizing Beam Assembly HN-522, 54" Shim Type		

S.O.S. = Available through Meritor's S.O.S. Department

Continued on next page

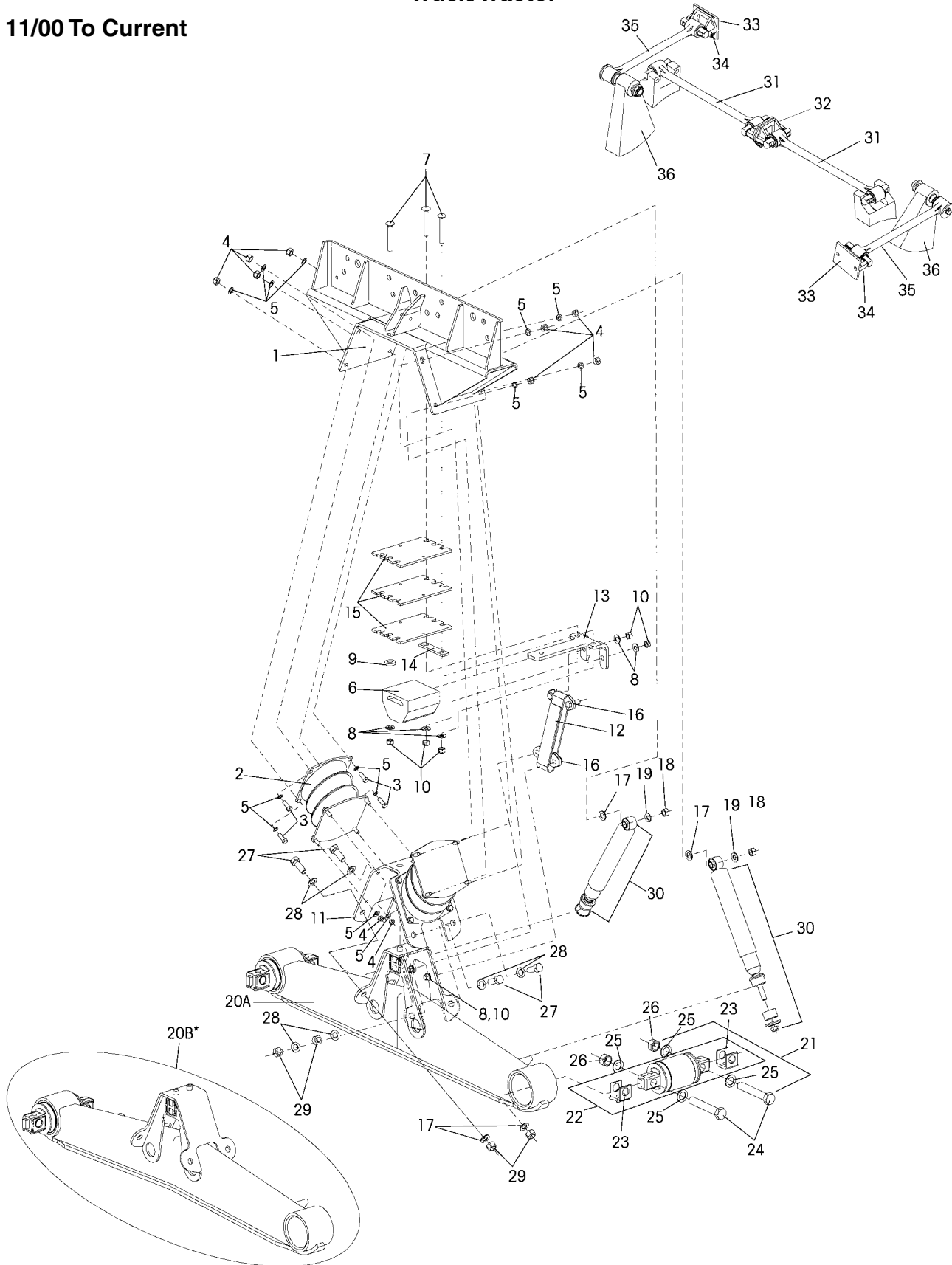


HENDRICKSON HN-402/462/522 SUSPENSION

Truck/Tractor

11/00 To Current

1



HENDRICKSON HN-402/462/522 SUSPENSION PARTS

Truck/Tractor

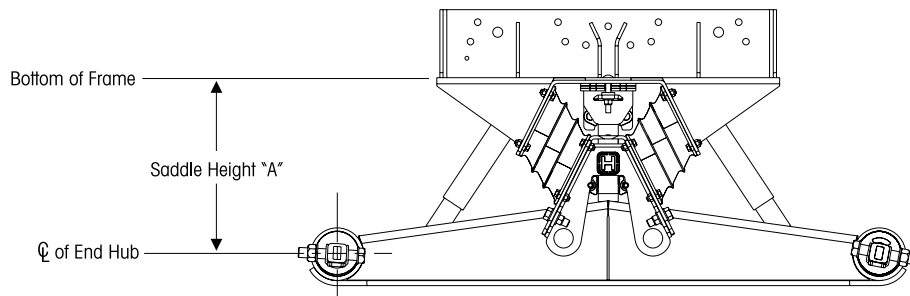
KEY NO.	MERITOR NO.	REPLACES HENDRICKSON NO.	DESCRIPTION	QTY. PER TANDEM	PAGE NO.
20b	S.O.S.		*Equalizing Beam Assembly	2	—
	S.O.S.	57889-004	HN-402, 52" Non-Shim Type		—
	S.O.S.	57889-005	HN-402, 52" Shim Type		—
	S.O.S.	57889-001	HN-402, 54" Non-Shim Type		—
	S.O.S.	57889-002	HN-402, 54" Shim Type		—
21	R309326	34013-088L	Bar Pin Bushing Service Kit, Shim Type (Includes Key Nos 22-26)	4	1-192
22	Part of R309326	—	Bar Pin End Bushing	—	1-192
23	R309327	50130-000	Bar Pin Shim .19/.19	8	1-192
	R309328	50131-000	.25/.12		
24	S.O.S.	48941-000	1"-8 UNC 6" Hexbolt	4	—
25	S.O.S.	22962-008	1" Hardened Washer	8	—
26	S.O.S.	48942-000	1"-8 UNC Locknut	4	—
	S.O.S.	58440-001	Vee Plate Fastener Service Kit (includes Key Nos 27-29)		—
27	S.O.S.	50764-006	3/4"-10 UNC-2A Hex Head Bolt	8	—
28	R302545	22962-001	3/4" Washer	16	2-35
29	S.O.S.	49842-000	3/4"-10 UNC-2B Locknut	8	—
30	83112	60680-003	Shock Absorber	4	3-14
31	R3013989	60218-000	Torque Rod Assembly	2	1-223
32	R302634	22186-000	Torque Rod Frame Bracket	2	1-214
	S.O.S.	42518-	Transverse Rod Assembly Service Kit (Includes Key Nos 33-36)	1	—
33	S.O.S.	45045-003	Backup Plate	2	—
34	R302634	22186-000	Transverse Rod Frame Bracket	2	1-214
35	R3013988	60215-000	Transverse Torque Rod	2	1-223
36	S.O.S.	—	Transverse Rod Axle Bracket	2	—

S.O.S. = Available through Meritor's S.O.S. Department

Note:

Brackets for drive axles are supplied by the axle manufacturer

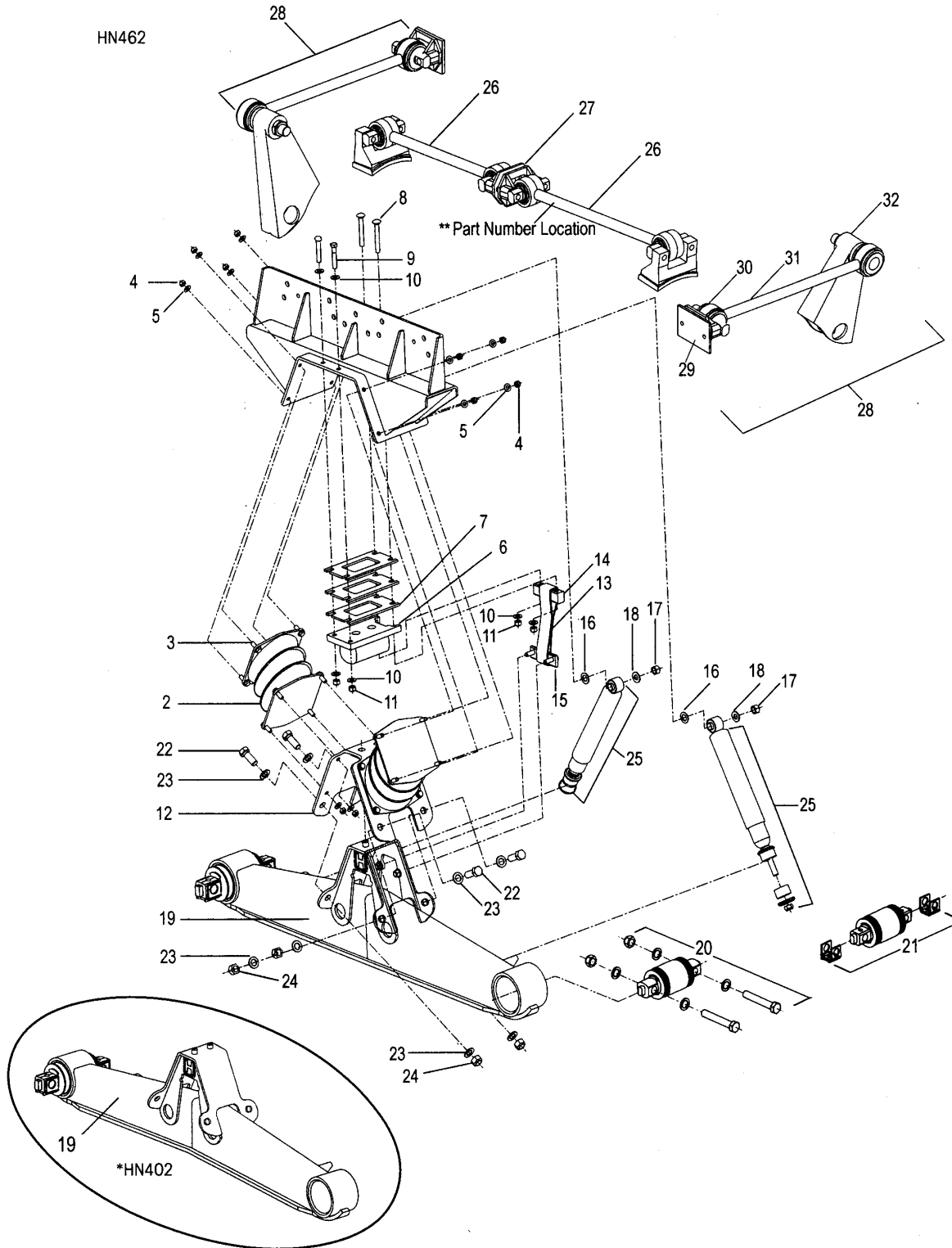
* The inset shows the difference between the HN-462 and the HN-402 equalizing beam. Notice the bottom flange of the HN-462 is straight and the bottom flange of the HN-402 is formed.



HENDRICKSON HN-402/462 SUSPENSION PARTS

Truck/Tractor

For 4/96 - 8/98



HENDRICKSON HN-402/462 SUSPENSION PARTS

Truck/Tractor

KEY NO.	MERITOR NO.	REPLACES HENDRICKSON NO.	DESCRIPTION	QUANTITY PER TANDEM	PAGE NO.
1	S.O.S.	60686-000	HN402/462 Saddle Assembly, Includes Key Nos. 2 thru 18 Specify Truck Manufacturer and Saddle Height	2	—
		58650-000		2	—
2	R3011496	60879-000L	Bolster Spring (Must be replaced in pairs)	2	1-224
3	S.O.S.	25114-011	7/16"-20 Thd., 1.25" Bolt	32	—
4	S.O.S.	48949-000	7/16" 1-20 UNF-2B Locknut	32	—
5	S.O.S.	22962-027	7/16" Washer	64	—
6	S.O.S.	57974-011	Auxiliary Spring Assembly	2	—
7	S.O.S.	57993-002	Spacer Plate	6	—
8	S.O.S.	58196-002	1/2"-13 UNC-2A Round Head Square Neck Bolt	4	—
9	S.O.S.	24531-019	1/2"-13 UNC-2A Hex Head Bolt	4	—
10	R309603	22962-011	1/2" Washer	16	2-35
11	S.O.S.	49846-000	1/2"- 13 UNC-2A Locknut	12	—
12	S.O.S.	58343-001	HN Saddle Vee Bracket	2	—
13	S.O.S.	57878-003	Rebound Strap	2	—
14	S.O.S.	58524-000	Rebound Strap Mounting Plate	2	—
15	S.O.S.	58376-000	Anchor Plate Assembly	2	—
16	R302545	22962-001	3/4" Washer	4	2-35
17	S.O.S.	30585-000	5/8" Locknut	4	—
18	S.O.S.	22962-004	5/8" Washer	4	—
19	S.O.S.	57889-004	Equalizing Beam Assembly HN402 52", Non-Shim Type	2	—
		57889-005	HN402 52", Shim Type		
		57889-001	HN402/462 54", Non-Shim Type		
		57889-002	HN402/462 54", Shim Type		
		58494-001	HN462 54", Non-Shim Type		
		58494-002	HN462 54", Shim Type		
		58494-005	HN402/462, 60" Non- Shim Type		
		58494-006	HN402/462, 60" Shim Type		
		58494-009	HN402/462, 72.5" Non Shim- Type		
58494-010	HN402/462, 72.5" Shim Type				
20	R309325	34013-087	Bar Pin Bushing Kit, Non-Shim Type	4	1-192
21	R309326	34013-088L	Bar Pin Bushing Kit, Shim Type	4	1-192
		58440-001	Vee Plate Fastener Kit, Includes Key Nos.22,23,24	1	1-192
22	S.O.S.	50764-006	3/4"-10 UNC-2A Hex Head Bolt	8	—
23	R302545	22962-001	3/4" Washer	16	2-35
24	R304347	49842-000	3/4" -10 UNC-2B Locknut	8	2-34
25	83112	57241-003 (Old)	Fleetline Shock Absorber	4	3-14
		60680-003L (New)			
26	See Torque Rod Section		Torque Rod Assembly	2	2-36
27	R302634	22186-000	Torque Rod Frame Bracket	2	1-214
28	S.O.S.	45045-003	Backup Plate	2	—
29	R302634	22186-000	Transverse Rod Frame Bracket	2	1-214
30	See Torque Rod Section		Torque Rod Assembly	2	2-36

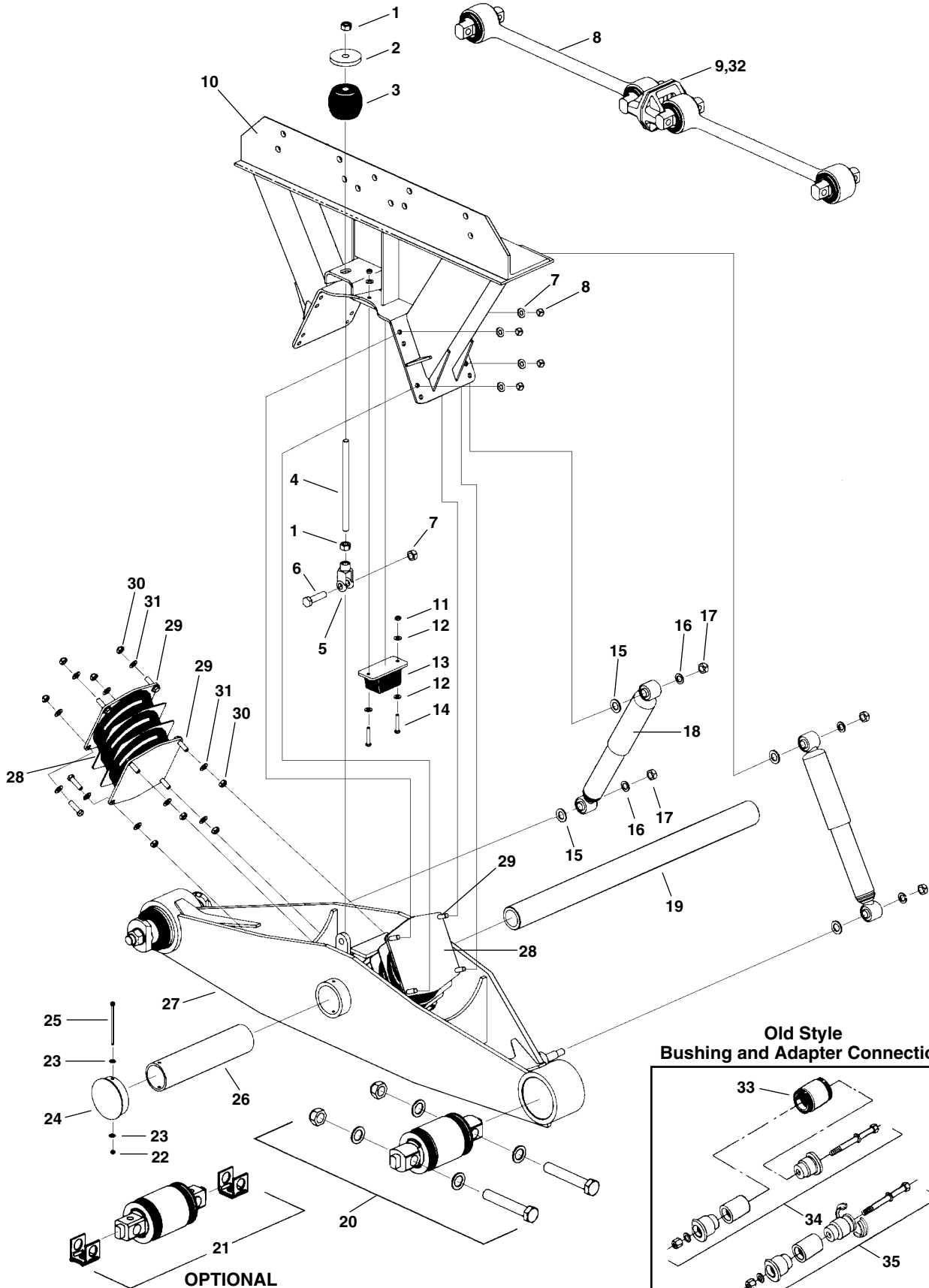
S.O.S. = Available through Meritor's S.O.S. Department

HENDRICKSON HN 460 SUSPENSION

11/88 - 2/96

Truck/Tractor

1



HENDRICKSON HN 460 SUSPENSION PARTS

Truck/Tractor

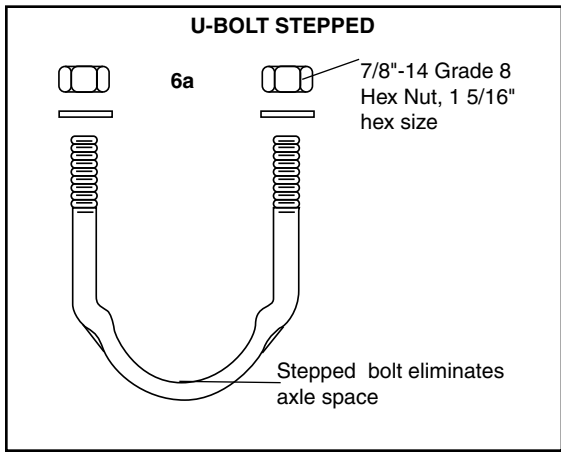
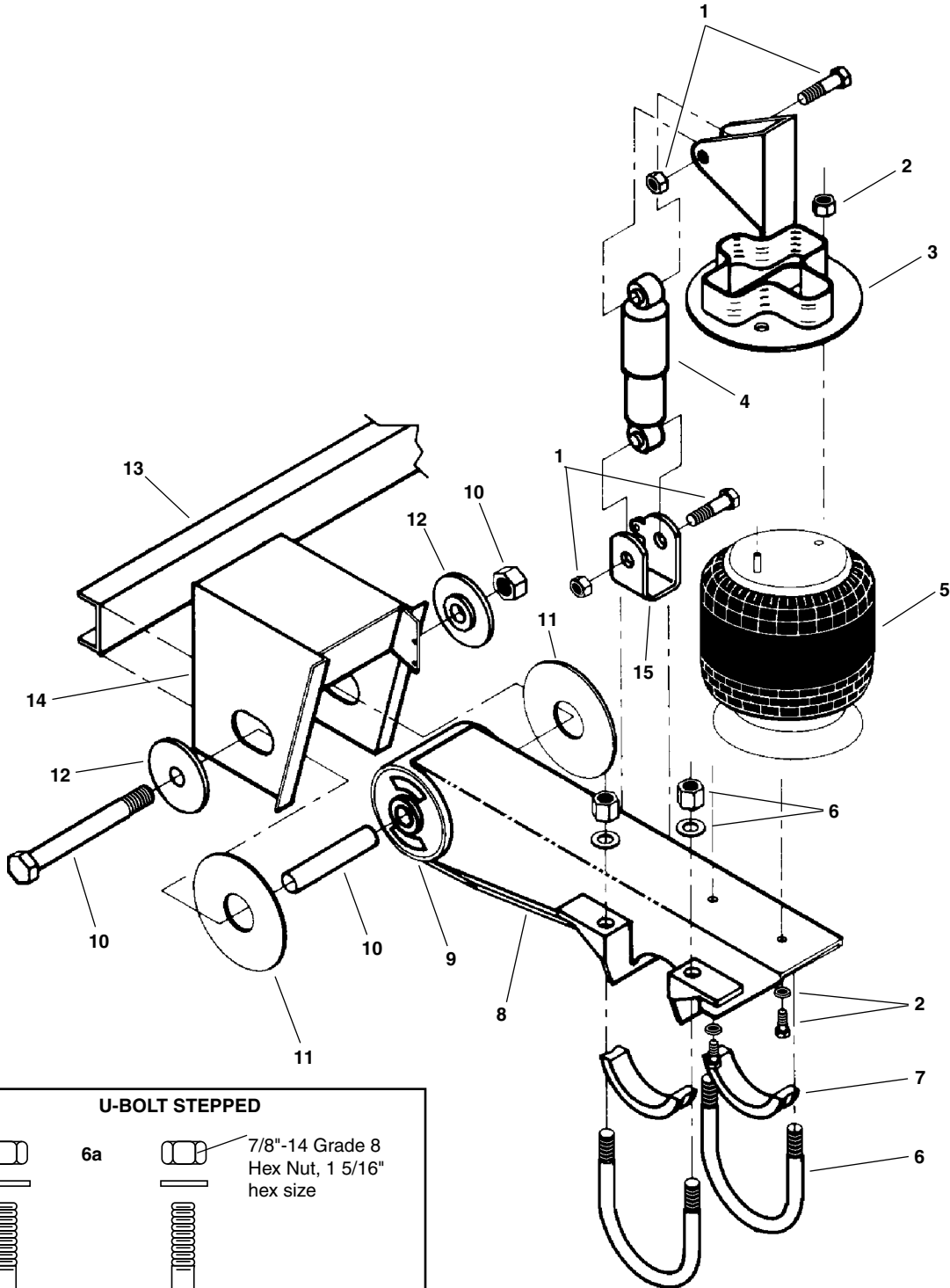
KEY NO.	MERITOR NO.	REPLACES HENDRICKSON NO.	DESCRIPTION	QUANTITY PER TANDEM	PAGE NO.
—	R309414	49768-000	Rebound Control Kit Includes Key Nos. 1,2,3,4,5,6,7	2	1-224
1	Part of R309414	49778-000	Nut	4	1-224
2	Part of R309414	49770-000	Threaded Washer	2	1-224
3	R309415	48570-000	Hollow Rubber Spring	2	1-224
4	Part of R309414	49769-000	Anti-Roll Rod	2	1-224
5	Part of R309414	49771-000	Clevis	2	1-224
6	Part of R309414	32043-004	Bolt	2	1-224
7	Part of R309414	47764-000	Lock Nut	2	1-224
8	See Torque Rod Section		Torque Rod Assembly	2	2-36
9	R302634	22186-000	Torque Rod Frame Bracket	2	1-214
10	S.O.S.	50787-000	Saddle Assembly Includes Key Nos. 11,12,13,14,15,16,17	2	—
11	Part of R309417	48948-000	Lock Nut	4	1-224
12	Part of R309417	22962-029	Washer	8	1-224
13	R309416	49395-000	Rebound Rubber Stop	2	1-224
14	Part of R309417	18160-011	Bolt	4	1-224
15	R302545	22962-001	Washer, Inner, 3/4"	4	2-35
16	S.O.S.	22962-004	Washer, Outer, 5/8"	4	—
17	S.O.S.	30585-000	Lock Nut, 5/8"	4	—
—	R309417	49399-000	Rebound Rubber Stop Kit Includes Key Nos. 11,12,13,14	2	1-224
18	83207	47902-011 (Old)	Fleetline Shock Absorber, HN460	4	3-14
		60670-002 (New)			
	89407	47902-011 (Old)	GasSLX Shock Absorber, HN402, HN462		
		60670-002 (New)			
83112	57241-003	Fleetline Shock Absorber, HN402, HN462			
19	R309412	44643-011	Cross Tube Transverse Torque Rod Assembly	1	1-224
20	R309325	34013-087	Bar Pin Bushing Kit, Non-Shim Type	4	1-192
21	R309326	34013-088L	Bar Pin Bushing Kit, Shim Type	4	1-192
22	S.O.S.	49983-000	Lock Nut, 1/4"	2	—
23	S.O.S.	22962-028	Washer, 1/4"	4	—
24	R309413	56910-000	End Cap	2	1-224
25	S.O.S.	50698-000	Bolt, 1/4"	2	—
26	R309411	49972-000	Center Bushing	2	1-224
27	S.O.S.	49976-00	Equalizing Beam Assembly (Specify Length) Includes Key Nos. 15, 16, 17, 20 or 21, 22, 23, 24, 25, 26, 28, 29, 30, 31, 32	2	—
28	R3011496	60879-000L (Old)	Bolster Spring (Must be replaced in pairs)	2	1-224
	S.O.S.	64718-000 (New)			
29	S.O.S.	25114-011	Bolt, 7/16"	32	—
30	S.O.S.	48949-000	Lock Nut, 7/16"	32	—
31	S.O.S.	22962-027	Washer, 7/16"	64	—
32	S.O.S.	45045-003	Backup Plate	2	—
33	R301341A	45900-000L	End Beam Bushing, Old Style	4	1-192
34	R309420	21140-034L	End Beam Adapter, Old Style	4	1-193
35	S.O.S.	21140-033	End Beam Adapter, Split Flange, Old Style	4	—

S.O.S. = Available through Meritor's S.O.S. Department
Contact Customer Care
USA - 1-888-725-9355 CANADA - 800-387-3889

XpresswayPlus.ArvinMeritor.com

HENDRICKSON HT190T, HT190U, HT230T SUSPENSION

Trailer



1

HENDRICKSON HT190T, HT190U, HT230T SUSPENSION PARTS

Trailer

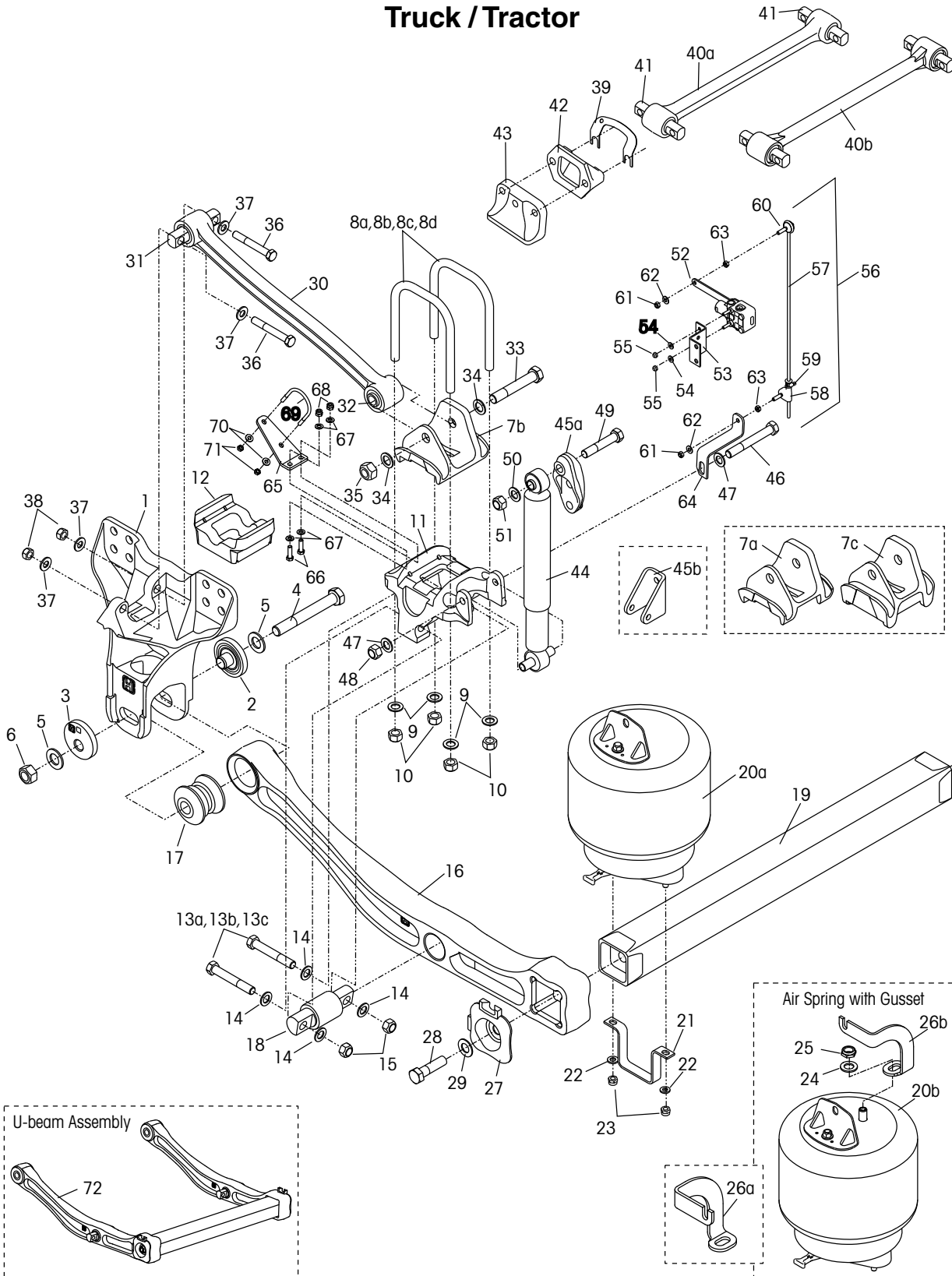
KEY NO.	MERITOR NO.	REPLACES HENDRICKSON NO.	DESCRIPTION	QUANTITY PER AXLE	HT190T	HT190U	HT230T	PAGE NO.
1	S.O.S.	S-20031/2	Shock Bolt Kit, (2) 3 1/4" Long Bolt	2	X		X	—
	S.O.S.	S-20218/2	Shock Bolt Kit, (1) 3 1/4" Long, (1) 3 1/2" Long Bolt	2		X		
2	S.O.S.	S-20033/2	Air Spring Bolt Kit	2	X	X	X	—
3	S.O.S.	Various	Air Spring/Shock Mounting Assembly Includes Air Spring Plate and Shock Bracket	2	X	X	X	—
4	85000	S-20001	Fleetline Shock Absorber	2	X	X	X	3-14
	89436	S-20002	GasSLX Shock Absorber, Intrax	2	X	X	X	
5	FS9640	S-20223	Air Spring	2	X	X	X	—
	FS8944	S-20217				X		—
	FS9270	S-20010					X	—
*6	R30U8168-082	S-20032/4 (Old) S-21140/4 (New)	U-Bolt Assembly, Rd. Bend, 7/8"-14 Thd. x 6" Wide x 8 1/4" Long	4	X	X	X	2-26
7	R306124	S-20701	Axle Spacer	4	X	X		1-226
8	S.O.S.	S-20000-1	Beam Assembly, Roadside	1	X		X	—
	S.O.S.	S-20000-2	Beam Assembly, Curbside	1	X		X	
	S.O.S.	S-20200-1	Beam Assembly, Roadside	1		X		
	S.O.S.	S-20200-2	Beam Assembly, Curbside	1		X		
9	R306121	S-6914	Tri-Functional Bushing Kit - Weld Alignment, Includes Key Nos. 9,10,11	2	X	X	X	1-225
	R3010729A	S-24691	Tri-Function Bushing Kit - QUIK-ALIGN™		X	X	X	
10	R303768	S-3646	Pivot Bolt Kit - Weld Aignment	2	X	X	X	1-226
	R3010730A	S-24679	Pivot Bolt Kit - QUIK-ALIGN™		X	X	X	1-225
11	R306122	S-21099	Bushing Wear Pad	2	X	X	X	1-226
12	R303771	S-2770	Alignment Collar	4	X	X	X	1-226
13	S.O.S.	A-1631-19	Frame Bracket Channel	1	X	X	X	—
14	S.O.S.	Various	Frame Bracket	2	X	X	X	—
15	S.O.S.	S-20069	Lower Shock Clevis	2	X	X	X	—
16	R3011831	—	Spacer	—				—
Not Shown	S.O.S.	S-20113	Upper Shock Clevis	2	X	X	X	—

S.O.S. = Available through Meritor's S.O.S. Department

*When using the new stepped u-bolt design, no longer requires the axle spacer (S-20701).

HENDRICKSON PRIMAAAX® 230/460/690 - FIREMAAX™ 240/480 SUSPENSION -TYPE A

8 1/2" - 10" RIDE HEIGHT
Truck / Tractor



1

HENDRICKSON PRIMAAX® 230/460/690 - FIREMAAX™ 240/480 - TYPE A SUSPENSION PARTS 8 1/2" - 10" RIDE HEIGHT Truck / Tractor

KEY NO.	MERITOR NO.	REPLACES HENDRICKSON NO.	DESCRIPTION	QTY PER TANDEM	PAGE NO.
1	S.O.S	60821-001	Frame Hanger	4	—
—	S.O.S	60632-008	QUIK-ALIGN™ Pivot Bushing Service Kit, Includes Key Nos. 2-6, 17)	4	—
	S.O.S	60632-006	QUIK-ALIGN™ Collar Service Kit (Includes Key Nos. 2-6)		—
	R3014025	60632-005	QUIK-ALIGN™ Pivot Bolt Service Kit, (Includes Key Nos. 4-6)		1-230
2	S.O.S	64633-000	QUIK-ALIGN™ Concentric Base	4	—
3	S.O.S	64632-000	QUIK-ALIGN™ Eccentric Base	4	—
4	S.O.S	64107-000	1.0"-8 UNC-2A Dacromet Hex Bolt - 7.5"	4	—
5	S.O.S	22962-0355	1.0" Flat Dacromet Washer	8	—
6	S.O.S	64108-0006	1.0"-8 LocknutDacromet UNC-2B	4	—
7a	S.O.S	60877-000	Top Pad For Meritor Axle	4	—
7b	S.O.S	60877-001	Top Pad For Dana Axle		
7c	S.O.S	65641-000	Top Pad For Disc Brake Application		
—	S.O.S	48718-108	U-Bolt Service Kit (Includes Key Nos. 8a-10)	4	—
	S.O.S	48718-125	U-Bolt Service Kit (Includes Key Nos. 8b-10)		
	S.O.S	48718-126	U-Bolt Service Kit (Includes Key Nos. 8c-10)		
	S.O.S	48718-132	U-Bolt Service Kit (Includes Key Nos. 8d-10)		
8a	S.O.S	59367-002	3/4" Square U-Bolt - 10" Ride Ht, For use with Key No. 7a, 7b	8	—
8b	S.O.S	59367-004	3/4" Square U-Bolt - 8 1/2" Ride Ht, For use with Key No. 7a, 7b, 12		
8c	S.O.S	59367-009	3/4" Square U-Bolt - 10" Ride Ht, For use with Key No. 7c		
8d	S.O.S	59367-012	3/4" Square U-Bolt - 8 1/2" Ride Ht, For use with Key No. 7c, 12		
9	R302545	22962-001	3/4" Flat Washer	16	2-35
10	S.O.S	49685-000	3/4"-16 UNF U-bolt Locknut	16	—
11	S.O.S	60556-	Bottom Cap - Front and Rear	4	—
12	S.O.S	65139-003	Axle Spacer - 8 1/2" Ride Height	4	—
—	S.O.S	34013-107	D-Pin Service Kit, 5.0" Bolt (Includes Key Nos. 13a-15, 18)	As Required	—
	S.O.S	34013-116	D-Pin Service Kit, 5.5" Bolt (Includes Key Nos. 13b-15, 18)	As Required	
	S.O.S	34013-117	D-Pin Service Kit, 4.75" Bolt (Includes Key Nos. 13c-15, 18)	As Required	
13a	S.O.S	21867-036	3/4"-16 UNF Bolt - 5.0"	8	—
13b	S.O.S	21867-026	3/4"-16 UNF Bolt - 5.5"		
13c	S.O.S	21867-043	3/4"-16 UNF Bolt - 4.75"		
14	R302545	22962-001	3/4" Flat Washer	16	2-35
15	S.O.S	30191-000	3/4"-16 UNF Locknut	8	—
16	S.O.S	66435-003 (New) 60831-003 (Old) 65872-003 (Old)	Support Beam Assy - Left Front (Includes Key Nos. 17-18)	1	—
	S.O.S	66435-004 (New) 60831-004 (Old) 65872-004 (Old)	Support Beam Assy - Right Front (Includes Key Nos. 17-18)		
	S.O.S	66435-001 (New) 60831-001 (Old) 65872-001 (Old)	Support Beam Assy - Left Rear (Includes Key Nos. 17-18)		
	S.O.S	66435-002 (New) 60831-002 (Old) 65872-002 (Old)	Support Beam Assy - Right Rear (Includes Key Nos. 17-18)		
17	R3013992	58648-000	QUIK-ALIGN™ Pivot Bushing	4	1-230
18	R3014026	60383-000	D-Pin Bushing	4	1-230
19	S.O.S	60912-001	Cross Brace - 40.0" Dowel Centers	2	—
	S.O.S	60912-002	Cross Brace - 40.5" Dowel Centers		
	S.O.S	60912-003	Cross Brace - 40.25" Dowel Centers		
	S.O.S	60912-004	Cross Brace - 40.875" Dowel Centers		
	S.O.S	60912-006	Cross Brace - 37.0" Dowel Centers		
---	R3014027	60961-62	Air Spring Assy Service Kit, PRIMAAX (Includes Key Nos. 20a-23)	As Required	1-231
	S.O.S	60961-126	Air Spring Assy Service Kit, FIREMAAX (Includes Key Nos. 20b-25)	As Required	—

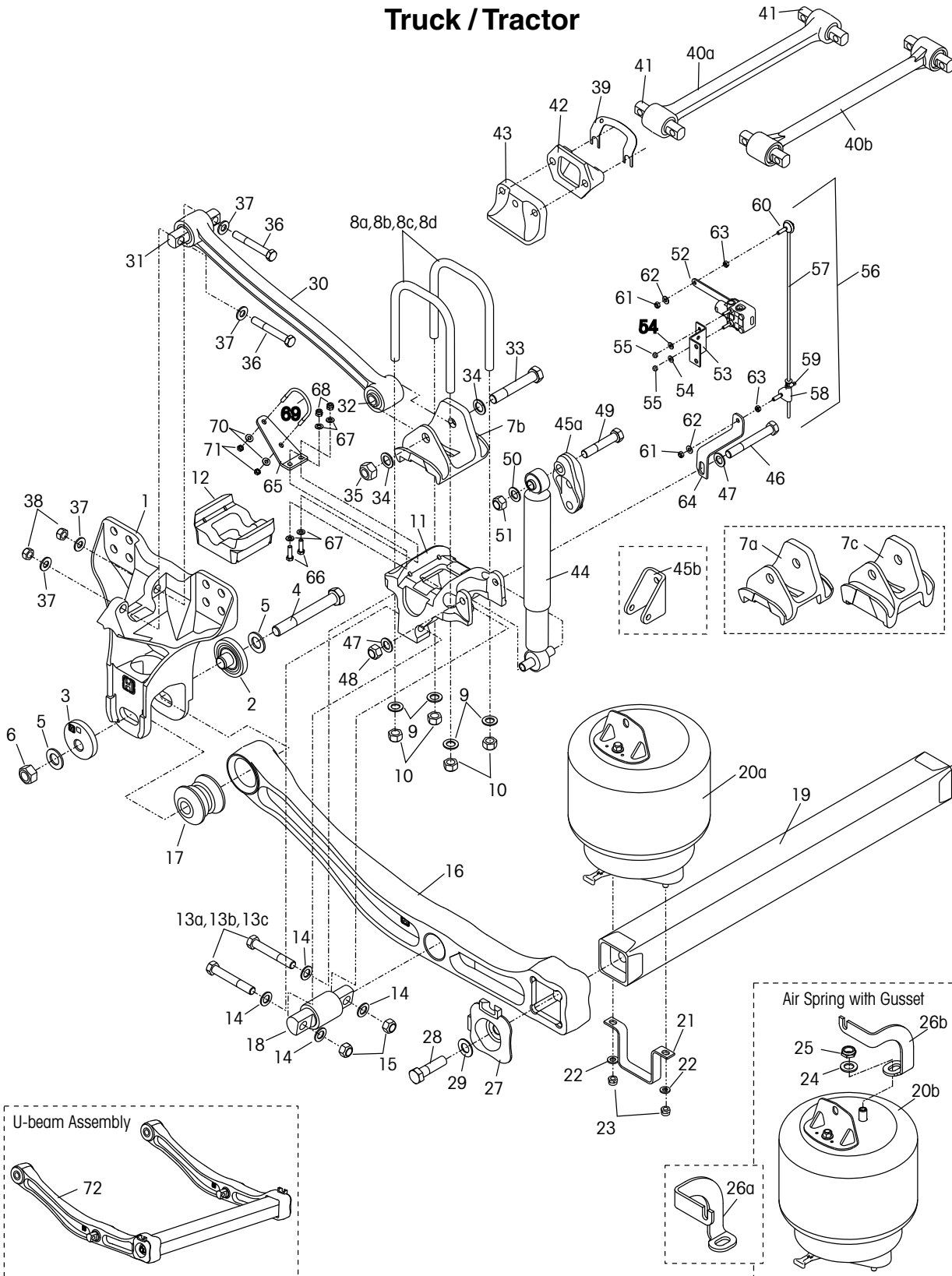
S.O.S. = Available through Meritor's S.O.S. Department

Continued On Next Page

1

HENDRICKSON PRIMAX[®] 230/460/690 - FIREMAX[™] 240/480 SERIES - TYPE A

8 1/2" - 10" RIDE HEIGHT
Truck / Tractor



1

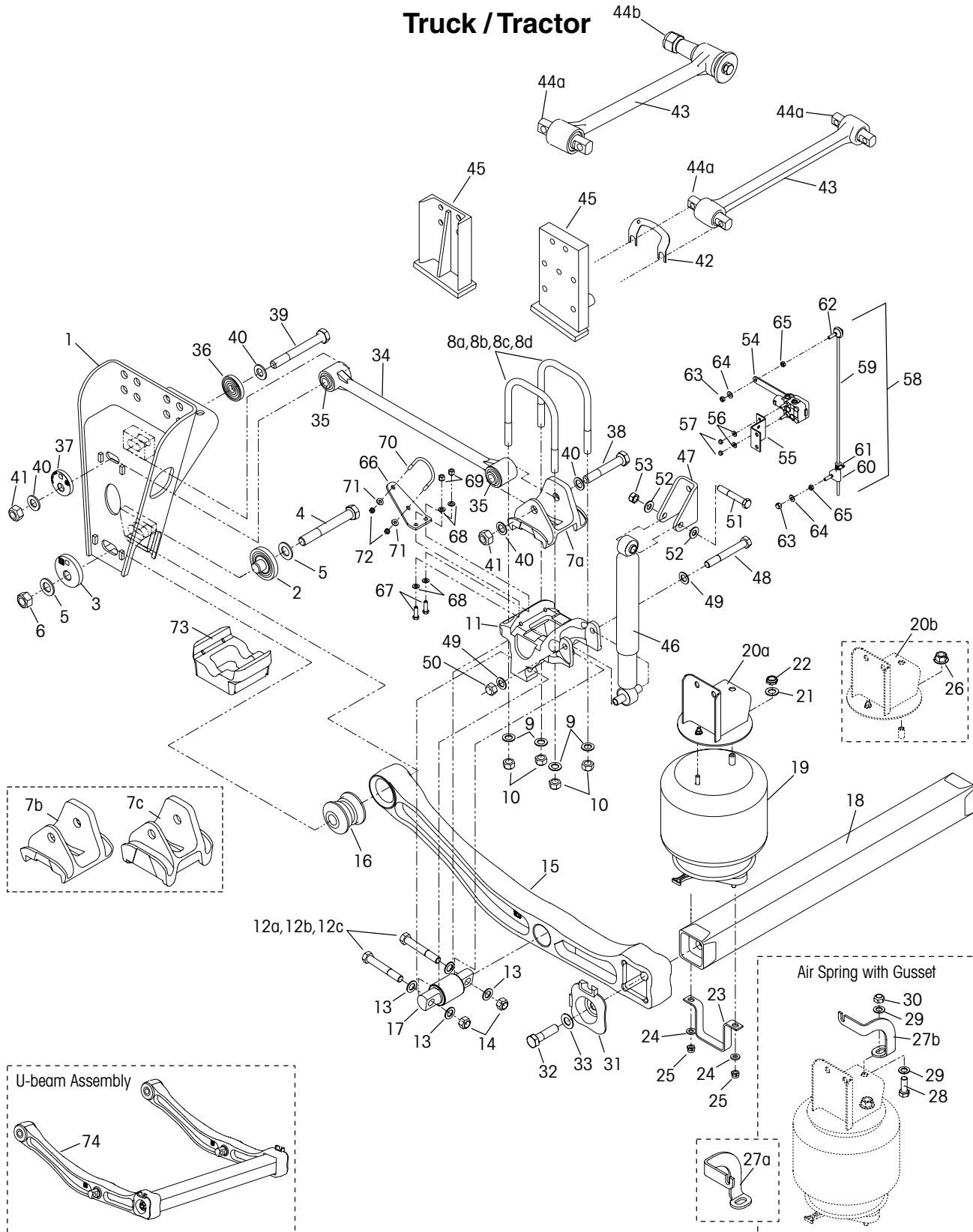
HENDRICKSON PRIMAAX® 230/460/690 - FIREMAAX™ 240/480 SERIES -TYPE A 8 1/2" - 10" RIDE HEIGHT Truck / Tractor

KEY NO.	MERITOR NO.	REPLACES HENDRICKSON NO.	DESCRIPTION	QTY PER TANDEM	PAGE NO.
20a	FS9663	60271-002L	Air Spring Assembly	4	—
20b	S.O.S	65183-002L	Air Spring Assembly		
21	S.O.S	60911-000	Lower Air Spring Mounting Bracket	4	—
22	S.O.S	22962-014	1/2" Flat Washer	8	—
23	S.O.S	17700-010	1/2"-13 UNC Locknut	8	—
24	R302545	22962-001	3/4" Flat Washer	4	2-35
25	S.O.S	17700-031	3/4"-16 UNF Locknut	4	—
26a	S.O.S	59479-003	Air Spring Gusset	2	—
27	S.O.S	60822-000	End Cap	4	—
28	S.O.S	50104-003	7/8"-9 UNC Hex Bolt - 3.5"	4	—
29	S.O.S	22962-034	7/8" Dacromet Flat Washer	4	—
30	S.O.S	—	Longitudinal Torque Rod Assembly (Includes Key Nos. 31-32)	As Required	—
31	R3010322	69210-000H	Bushing, Straddle Bar Pin, 3/4" Holes	4	1-231
32	R305276	47692-000L	Torque Rod Bushing, Thru Holes	4	1-231
—	S.O.S	58821-012	Longitudinal Torque Rod Rear Bolt Service Kit (Includes Key Nos. 33-35)	As Required	—
33	S.O.S	30418-009	7/8"-14 UNC-2A Hex Bolt, 5.5"	4	—
34	S.O.S	22962-034	7/8" Dacromet Flat Washer	8	—
35	R301835	29248-000	7/8"-14 UNF-2B Locknut	4	2-34
36	S.O.S	21867-018	3/4"-16 UNF-2A Hex Bolt, 3.75"	8	—
37	R302545	22962-001	3/4" Flat Washer	16	2-35
38	S.O.S	30191-000	3/4"-16 UNF-2B Locknut	8	—
39	R305281	49689-000	Shim	As Required	1-220
40a	R3013993	58757-006	Cast (I-Section) Transverse Rod Assembly	2	1-230
40b	S.O.S	62000-565	Forged (Round Section) Transverse Rod Assembly (Includes Bushings)	2	—
41	R305275	47691-000L	Bushing, Straddle Bar Pin, 5/8" Holes	4	1-231
42	R302634	22186-000	Transverse Rod Frame Bracket	2	1-214
43	S.O.S	60593-000	Frame Mounted Axle Stop	4	—
—	S.O.S	50754-031	Shock Fastener Service Kit (Includes Key Nos. 46-51)	4	—
44	R3014031	60657-003	Shock Absorber, Standard	4	1-231
	S.O.S	60657-005	Shock Absorber - Kenworth		—
	S.O.S	60665-014	Shock Absorber - FIREMAAX Disc Brake Applications		—
	S.O.S	60665-018	Shock Absorber - FIREMAAX Drum Brake Applications		—
45a	S.O.S	65000-002	Upper Shock Frame Bracket	4	—
45b	S.O.S	59423-001	FIREMAAX Upper Shock Frame Bracket		—
46	S.O.S	32043-017	5/8"-11 UNC Bolt, 6.0"	4	—
47	S.O.S	22962-004	5/8" Flat Washer	8	—
48	S.O.S	47764-000	5/8"-11 UNC-2B Locknut	4	—
49	S.O.S	50764-010	3/4"-10 UNC Bolt, 4.25"	4	—
50	R302545	22962-001	3/4" Flat Washer	4	2-35
51	S.O.S	49842-000	3/4"-10 UNC Locknut	4	—
52	R3011870	57977-000	Height Control Valve Assembly (Includes Key Nos. 53-55)	1	2-57
56	S.O.S	58994-005	HCV Linkage Assembly (Includes Key Nos. 57-63)	1	—
64	S.O.S	60921-000	Height Control Valve Linkage Bracket	1	—
65	S.O.S	64508-000	S-cam Support Bracket	4	—
66	S.O.S	58035-004	3/8"-16 UNC Hex Bolt, 1.25"	8	—
67	S.O.S	22962-015	3/8" Hardened Washer	16	—
68	S.O.S	17700-006	3/8"-16 UNC Locknut	8	—
69	S.O.S	64202-000	5/16" S-Cam U-bolt	4	—
70	S.O.S	22962-029	5/16" Hardened Washer	8	—
71	S.O.S	59016-000	5/16"-18 UNC Locknut	8	—
72	S.O.S	—	U-beam Assembly (Includes Key Nos. 16, 19, 27-29)	2	—

S.O.S. = Available through Meritor's S.O.S. Department

HENDRICKSON PRIMAAAX[®] 230/460/690 FIREMAAX[™] 240/480

12 1/2" - 14 3/8" - 15 1/2" RIDE HEIGHT
HEAVY DUTY AIR SUSPENSION
Truck / Tractor



1

HENDRICKSON PRIMAAX® 230/460/690

FIREMAAX™ 240/480

12 1/2" - 14 3/8" - 15 1/2" RIDE HEIGHT

HEAVY DUTY AIR SUSPENSION

Truck / Tractor

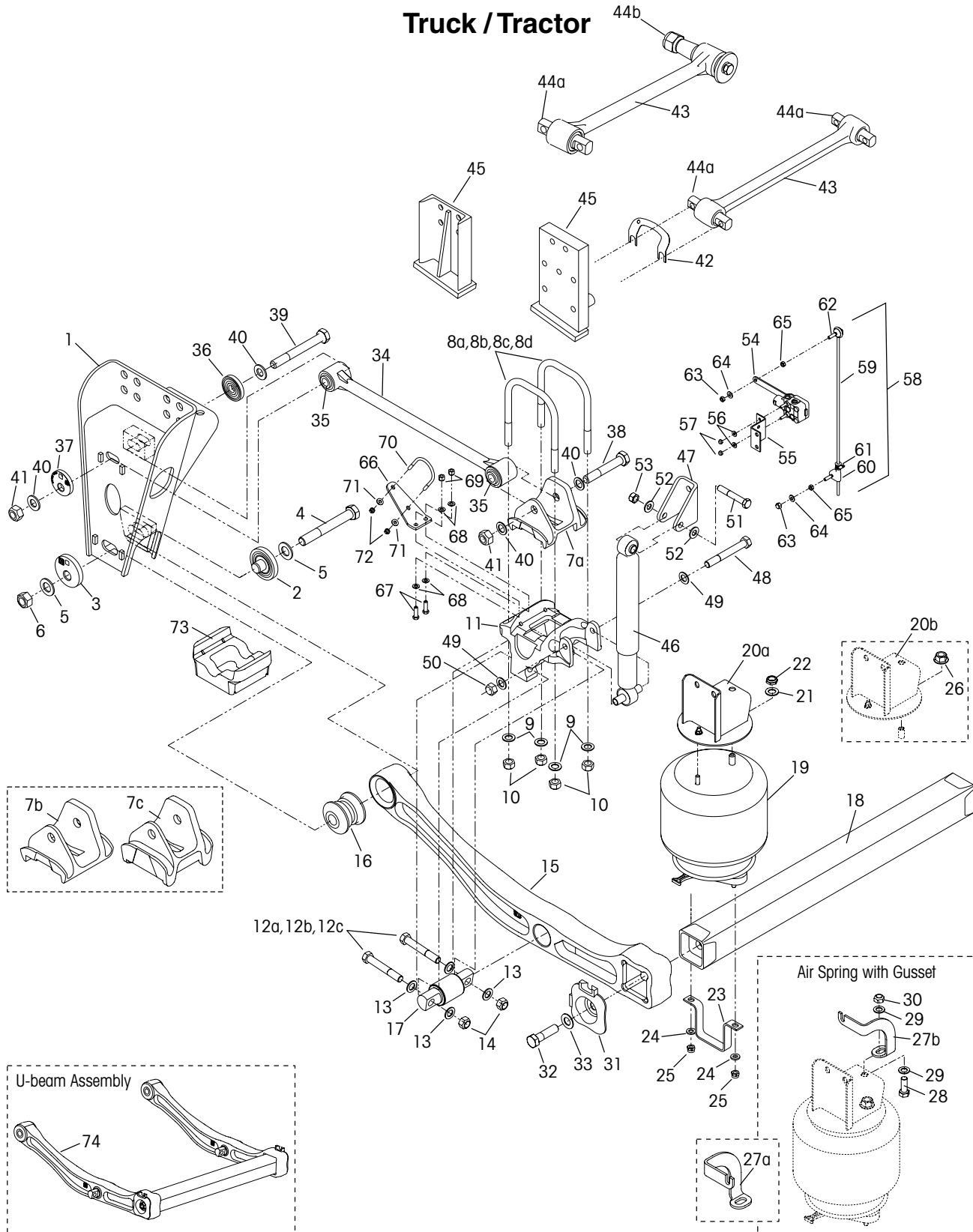
KEY NO.	MERITOR NO.	REPLACES HENDRICKSON NO.	DESCRIPTION	QTY. PER TANDEM	PAGE NO.
1	S.O.S.	Various	Frame Hanger	4	—
—	R3014033	60632-009	QUIK-ALIGN™ Pivot Bushing & Torque Rod Service Kit (Includes Key Nos 2-6, 16, 39-41)	4	—
—	S.O.S.	60632-007	QUIK-ALIGN™ Collar Service Kit (Includes Key Nos 2-6)	2	—
—	S.O.S.	60632-010	QUIK-ALIGN™ Pivot & Torque Rod Bolt Service Kit (Includes Key Nos 4-6, 39-41)	4	—
2	S.O.S.	64600-000	Support Beam QUIK-ALIGN™ Concentric Base	4	—
3	S.O.S.	64632-000	Support Beam QUIK-ALIGN™ Eccentric Base	4	—
4	S.O.S.	64107-000	1.0"-8 UNC-2A Dacromet Hex Bolt -7.5"	4	—
5	S.O.S.	22962-035	1.0" Flat Dacromet Washer	8	—
6	S.O.S.	64108-000	1.0"-8 UNC-2B Dacromet Locknut	4	—
7	S.O.S.	Various	Top Pad	4	—
—	S.O.S.	Various	U-Bolt Service Kit (Includes 8-10)	4	—
8	S.O.S.	Various	3/4" Square U-Bolt - Specify Ride Height	8	—
9	R302545	22962-001	3/4" Flat Washer	16	2-35
10	S.O.S.	49685-000	3/4"-16 UNF U-Bolt Locknut	16	—
11	S.O.S.	60556-	Bottom Cap	4	—
—	S.O.S.	Various	D-Pin Service Kit (Includes Key Nos 12-14, 17)	As Required	—
12	S.O.S.	Various	3/4"-16 UNF Bolt	8	—
13	R302545	22962-001	3/4" Flat Washer	16	2-35
14	S.O.S.	30191-000	3/4"-16 UNF Locknut	8	—
15	S.O.S.	Various	Support Beam Assembly (Includes Key Nos 16-17)	1	—
16	R3013992	58648-000	QUIK-ALIGN™ Pivot Bushing	4	1-230
17	R3014026	60383-000	D-Pin Bushing	4	1-230
18	S.O.S.	Various	Cross Brace - Specify C to C Dowel Centers	2	—
—	S.O.S.	60961-124	PRIMAAX Air Spring Assembly Service Kit (Includes Key Nos 19-25)	4	—
—	S.O.S.	60961-125	FIREMAAX Air Spring Assembly Service Kit (Includes Key Nos 19-25, 28-30)	4	—
—	R3014034	64337-002	Air Spring Assembly w/ Flange Nut (Includes Key Nos 19, 20a, 26)	4	—
19	R3014035	65032-002	Air Spring	4	1-232
20a	S.O.S.	65031-001	Upper Air Spring Bracket Ass'y - 14-3/8" RH	4	—
20b	S.O.S.	65031-002	Upper Air Spring Bracket Ass'y - 15-1/2" RH	4	—
21	R302545	22962-001	3/4" Flat Washer	4	2-35
22	S.O.S.	17700-031	3/4"-16 UNF Locknut	4	—
23	S.O.S.	60911-000	Lower Air Spring Mounting Bracket	4	—
24	S.O.S.	22962-014	1/2" Flat Washer	8	—
25	S.O.S.	17700-010	1/2"-13 UNC Locknut	8	—
26	S.O.S.	—	3/4"-16 UNF Flange Locknut	4	—

S.O.S. = Available through Meritor's S.O.S. Department

Continued On Next Page

HENDRICKSON PRIMAAAX[®] 230/460/690 FIREMAAX[™] 240/480

12 1/2" - 14 3/8" - 15 1/2" RIDE HEIGHT
HEAVY DUTY AIR SUSPENSION
Truck / Tractor



1

HENDRICKSON PRIMAAX® 230/460/690

FIREMAAX™ 240/480

12 1/2" - 14 3/8" - 15 1/2" RIDE HEIGHT

HEAVY DUTY AIR SUSPENSION

Truck / Tractor

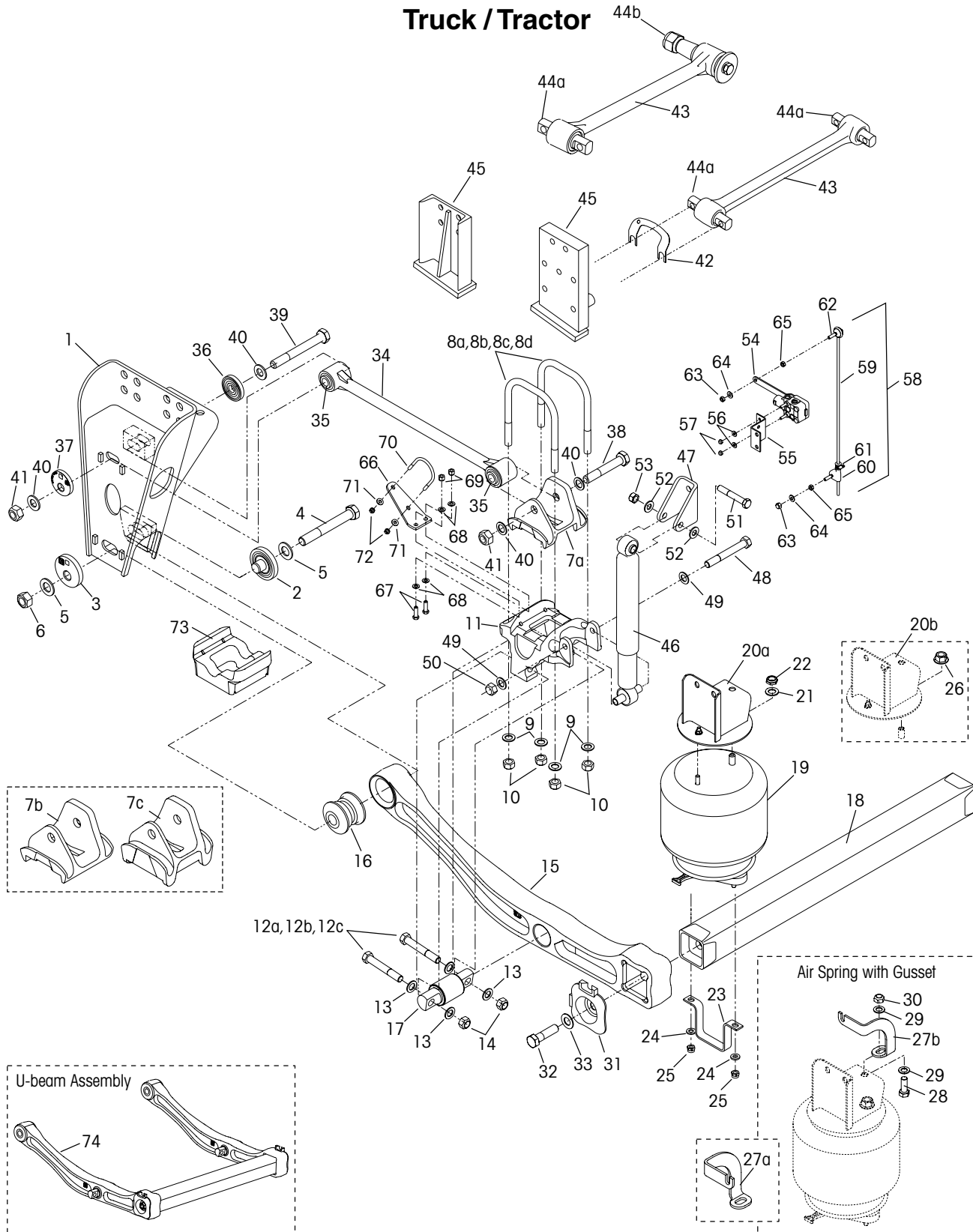
KEY NO.	MERITOR NO.	REPLACES HENDRICKSON NO.	DESCRIPTION	QTY. PER TANDEM	PAGE NO.
27a	S.O.S.	59479-003	Air Spring Gusset	2	—
27b	S.O.S.	59479-004	Air Spring Gusset	2	—
28	S.O.S.	50764-006	3/4"-10 UNC Bolt - 2.0"	4	—
29	R302545	22962-001	3/4" Flat Washer	8	2-35
30	S.O.S.	49842-000	3/4"-10 UNC Locknut	4	—
31	S.O.S.	60822-000	End Cap	4	—
32	S.O.S.	50104-003	7/8"-9 UNC Hex Bolt - 3.5"	4	—
33	S.O.S.	22962-034	7/8" Dacromet Flat Washer	4	—
34	S.O.S.	Various	Longitudinal Torque Rod Assembly (Includes Bushings - Specify Front or Rear)	2	—
35	R305276	47692-000L	Torque Rod Bushing - Thru Holes	8	1-231
—	S.O.S.	58821-011	Torque Rod QUIK-ALIGN™ Collar Bolt Service Kit (Includes Key Nos 36-37, 39-41)	4	—
—	S.O.S.	58821-012	Longitudinal Torque Rod Rear Bolt Service Kit (Includes Key Nos 38, 40-41)	4	—
36	S.O.S.	64343-000	Torque Rod QUIK-ALIGN™ Concentric Base	4	—
37	S.O.S.	64345-000	Torque Rod QUIK-ALIGN™ Eccentric Base	4	—
38	S.O.S.	30418-009	7/8"-14 UNF-2A Hex Bolt - 5.5"	4	—
39	S.O.S.	30418-002	7/8"-14 UNF-2A Hex Bolt - 7.75"	4	—
40	S.O.S.	22962-034	7/8" Dacromet Flat Washer	16	—
41	R301835	29248-000	7/8"-14 UNF-2B Locknut	8	2-34
42	R305281	49689-000	Shim	As Required	1-220
43	S.O.S.	Various	Transverse Rod Assembly (Includes Bushings)	2	—
44a	R305275	47691-000L	Straddle Torque Rod Bushing	4	1-231
44b	S.O.S.	64809-000	Taper Pin Bushing	4	—
45	S.O.S.	Various	Axle Stop	1	—
—	S.O.S.	50754-030	Shock Fastener Service Kit (Includes Key Nos 48-53)	4	—
46	R3014037	60665-011	Shock Absorber	4	1-232
47	S.O.S.	59423-001	Upper Shock Frame Bracket	4	—
48	S.O.S.	32043-017	5/8"-11 UNC Bolt -6.0"	4	—
49	S.O.S.	22962-004	5/8" Flat Washer	8	—
50	S.O.S.	47764-000	5/8"-11 UNC-2B Locknut	4	—
51	S.O.S.	50764-010	3/4"-10 UNC Bolt - 4.25"	4	—
52	R302545	22962-001	3/4" Flat Washer	8	2-35
53	S.O.S.	49842-000	3/4"-10 UNC Locknut	4	—
—	S.O.S.	58525-020	HCV Assembly Service Kit (Includes Key Nos 54, 55)	As Required	—
54	R3011870	57977-000	Height Control Valve Assembly	2	2-57
58	S.O.S.	58994-015	HCV Linkage Assembly	2	—

S.O.S. = Available through Meritor's S.O.S. Department

Continued On Next Page

HENDRICKSON PRIMAAX[®] 230/460/690 FIREMAX[™] 240/480

12 1/2" - 14 3/8" - 15 1/2" RIDE HEIGHT
HEAVY DUTY AIR SUSPENSION
Truck / Tractor



1

HENDRICKSON PRIMAAX® 230/460/690

FIREMAAX™ 240/480

12 1/2" - 14 3/8" - 15 1/2" RIDE HEIGHT

HEAVY DUTY AIR SUSPENSION

Truck / Tractor

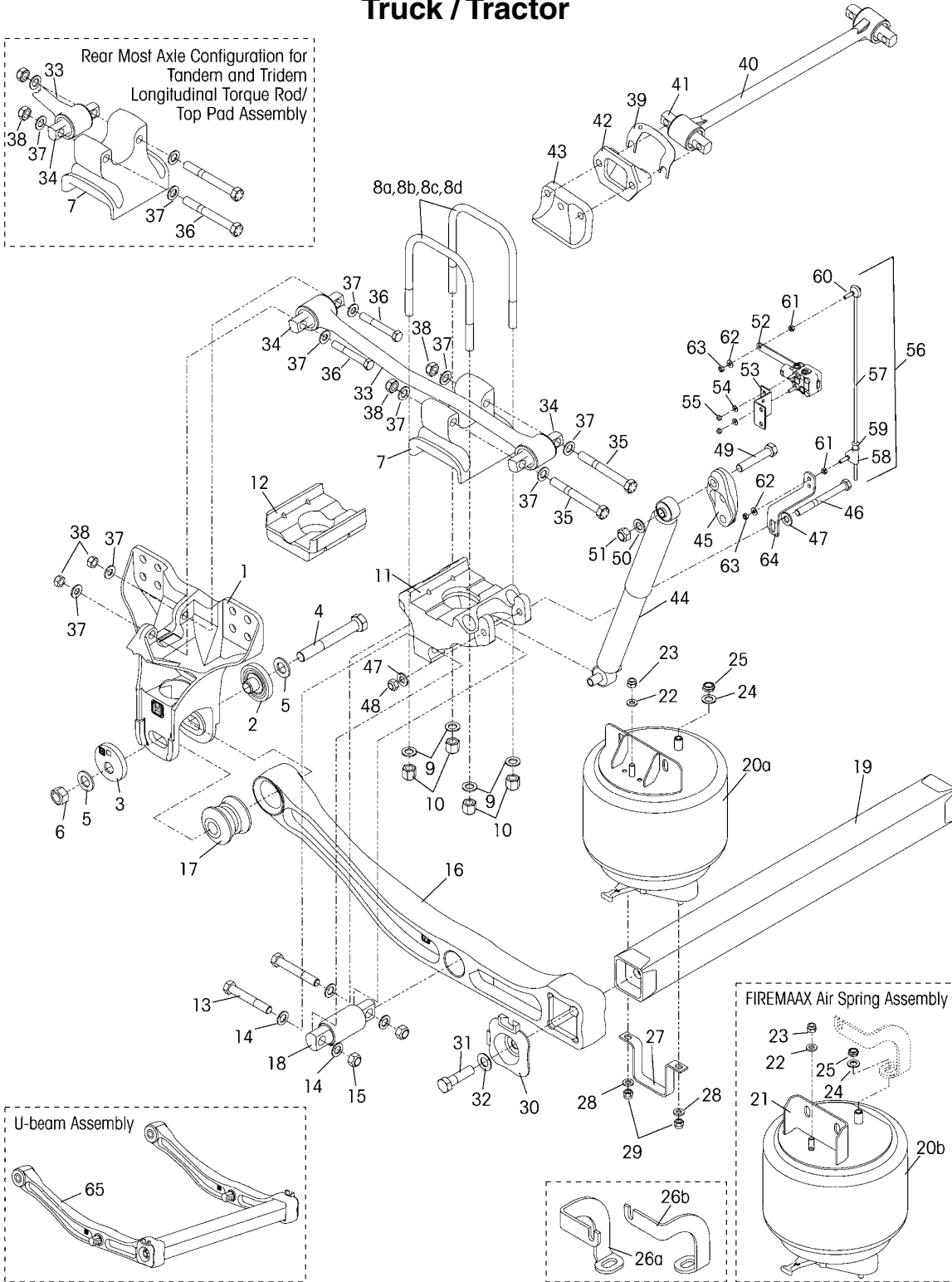
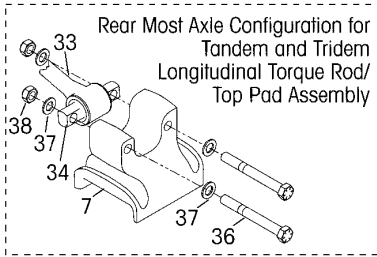
KEY NO.	MERITOR NO.	REPLACES HENDRICKSON NO.	DESCRIPTION	QTY. PER TANDEM	PAGE NO.
66	S.O.S.	64508-000	S-Cam Support Bracket	4	—
67	S.O.S.	58035-004	3/8"-16 UNC Hex Bolt - 1.25"	8	—
68	S.O.S.	22962-015	3/8" Hardened Washer	16	—
69	S.O.S.	17700-006	3/8"-16 UNC Locknut	8	—
70	S.O.S.	64202-000	5/16" S-Cam U-Bolt	4	—
71	S.O.S.	22962-029	5/16" Hardened Washer	8	—
72	S.O.S.	59016-000	5/16"-18 UNC Locknut	8	—
73	S.O.S.	65139-003	Axle Spacer - 12-1/2" Ride Height	4	—
74	S.O.S.	Various	U-Beam Assembly (Includes Key Nos 15, 18, 31-33)	2	—

S.O.S. = Available through Meritor's S.O.S. Department

1

HENDRICKSON PRIMAAAX® 260/520/780 FIREMAAX™ 270/540 - TYPE A

8 1/2" - 10" RIDE HEIGHT
Truck / Tractor



1

HENDRICKSON PRIMAAX® 260/520/780

FIREMAAX™ 270/540 - TYPE A

8 1/2" - 10" RIDE HEIGHT

Truck / Tractor

KEY NO.	MERITOR NO.	REPLACES HENDRICKSON NO.	DESCRIPTION	QTY. PER TANDEM	PAGE NO.
1	S.O.S.	60821-001	Frame Hanger	4	—
—	R3014025	60632-008	Pivot Bushing Service Kit (Includes Key Nos 2-6, 17)	2	1-230
—	S.O.S.	60632-006	Collar Service Kit - (Includes Key Nos 2-6)		—
—	S.O.S.	60632-005	Pivot Bolt Service Kit (Includes Key Nos 4-6)		—
2	S.O.S.	64633-000	Concentric Base	4	—
3	S.O.S.	64632-000	Eccentric Base	4	—
4	S.O.S.	64107-000	1.0"-8 UNC-2A Dacromet Hex Bolt - 7.5"	4	—
5	S.O.S.	22962-035	1.0" Flat Dacromet Washer	8	—
6	S.O.S.	64108-000	1.0" UNC-2B Dacromet Locknut	4	—
7	S.O.S.	Various	Top Pad	2	—
—	S.O.S.	48718-120	U-Bolt Service Kit - 10" RH (Includes Key Nos 8a-8b, 9-10)	2	—
—	S.O.S.	48718-118	U-Bolt Service Kit - 8-1/2" RH (Includes Key Nos 8c-8d, 9-10)		—
8a	S.O.S.	59367-007	3/4" Square U-Bolt Outboard 10" RH	4	—
8b	S.O.S.	59367-008	3/4" Square U-Bolt Inboard 10" RH	4	—
8c	S.O.S.	59367-010	3/4" Square U-Bolt Outboard 8-1/2" RH	4	—
8d	S.O.S.	68367-011	3/4" Square U-Bolt Inboard 8-1/2" RH	4	—
9	R302545	22962-001	3/4" Flat Washer	16	2-35
10	S.O.S.	49685-000	3/4"-16 UNF U-Bolt Locknut	16	—
11	S.O.S.	—	Bottom Cap - Front and Rear	4	—
12	S.O.S.	—	Axle Spacer	4	—
—	R3013983	34013-114	D-Pin Service Kit (Includes Key Nos 13-15, 18)	4	1-230
13	S.O.S.	30418-009	7/8"-14 UNF Bolt - 5.5"	8	—
14	S.O.S.	22962-007	7/8" Flat Washer	16	—
15	R301835	29248-000	7/8"-14 UNF Locknut	8	2-34
16	S.O.S.	Various	Support Beam Assembly	1	—
17	R3013992	58648-000	Pivot Bushing	4	1-230
18	R3014039	65381-000	D-Pin Bushing	4	1-232
19	S.O.S.	Various	Cross Brace	2	—
—	S.O.S.	60961-118	PRIMAAX Air Spring Service Kit (Includes Key Nos 20a, 24-25, 27-29)	4	—
—	S.O.S.	60961-119	FIREMAAX Air Spring Service Kit (Includes Key Nos 20B-25, 27-29)		—
20a	R3014040	66255-002	PRIMAAX Air Spring Assembly (Includes 22-23)	4	1-232
20b	S.O.S.	65282-002	FIREMAAX Air Spring Assembly	4	—
21	S.O.S.	65868-000	Air Spring Bracket	4	—
22	S.O.S.	22962-014	1/2" Flat Washer	4	—
23	S.O.S.	17700-010	1/2"-13 UNC Locknut	4	—

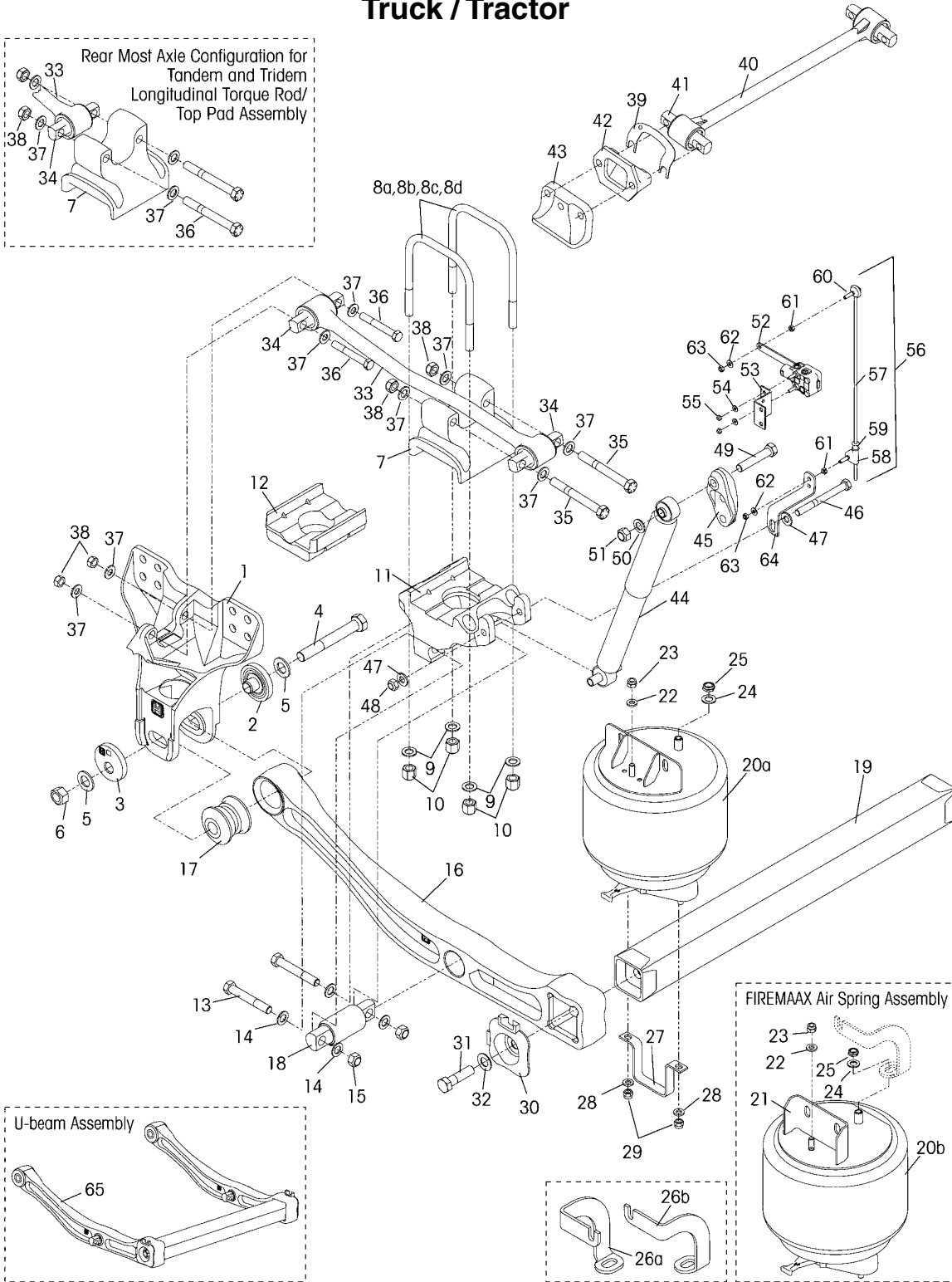
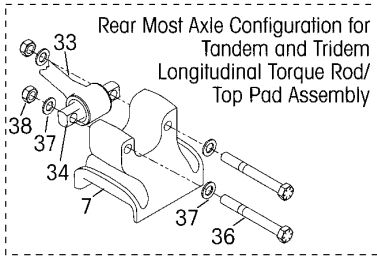
S.O.S. = Available through Meritor's S.O.S. Department

Continued on next page

1

HENDRICKSON PRIMAAAX® 260/520/780 FIREMAAX™ 270/540 - TYPE A

8 1/2" - 10" RIDE HEIGHT
Truck / Tractor



HENDRICKSON PRIMAAX® 260/520/780

FIREMAAX™ 270/540 - TYPE A

8 1/2" - 10" RIDE HEIGHT

Truck / Tractor

KEY NO.	MERITOR NO.	REPLACES HENDRICKSON NO.	DESCRIPTION	QTY. PER TANDEM	PAGE NO.
24	R302545	22962-001	3/4" Flat Washer	4	2-35
25	S.O.S.	17700-031	3/4"-16 UNF Locknut	4	—
26a	S.O.S.	59479-003	Air Spring Gusset	2	—
26b	S.O.S.	59479-004	Air Spring Gusset	2	—
27	S.O.S.	60911-000	Lower Air Spring Mounting Bracket	4	—
28	S.O.S.	22962-014	1/2" Flat Washer	8	—
29	S.O.S.	17700-010	1/2"-13 UNC Locknut	8	—
30	S.O.S.	60822-000	End Cap	4	—
31	S.O.S.	50104-003	7/8"-9 UNC Hex Bolt - 3.5"	4	—
32	S.O.S.	22962-034	7/8" Dacromet Flat Washer	4	—
33	S.O.S.	—	Longitudinal Torque Rod Assembly	As Required	—
34	R3010322	69210-000H	Bushing - Straddle Bar Pin (3/4" holes)	8	1-231
—	S.O.S.	—	Longitudinal Torque Rod Rear Bolt Service Kit (Includes Key Nos 35, 37-38)	4	—
35	S.O.S.	21867-007	3/4"-16 UNF-2A Hex Bolt -6.0"	8	—
36	S.O.S.	21867-018	3/4"-16 UNF-2A Hex Bolt -3.75"	16	—
37	R302545	22962-001	3/4" Flat Washer	32	2-35
38	S.O.S.	30191-000	3/4"-16 UNF-2B Locknut	16	—
39	R305281	49689-000	Shim	As Required	1-220
40	R3014041	62000-620	Transverse Rod Assembly (Includes Bushings)	2	1-232
41	R305275	47691-000L	Bushing - Straddle Bar Pin (5/8" holes)	4	1-231
42	R302634	22186-000	Transverse Rod Frame Bracket	2	1-214
43	S.O.S.	60593-000	Frame Mounted Axle Stop	4	—
—	S.O.S.	50754-029	Shock Fastener Service Kit (Includes Key Nos 46-51)	4	—
44	R3014042	60665-013	Shock Absorber (Vehicle with Drum Brakes)	4	1-232
	R3014043	60665-015	Shock Absorber (Vehicle with Disc Brakes)	4	1-233
45	S.O.S.	65000-002	Upper Shock Frame Bracket	4	—
46	S.O.S.	32043-007	5/8"-11 UNC Bolt -7.0"	4	—
47	S.O.S.	22962-004	5/8" Flat Washer	8	—
48	S.O.S.	47764-000	5/8"-11 UNC-2B Locknut	4	—
49	S.O.S.	50764-010	3/4"-10 UNC Bolt -4/25"	4	—
50	R302545	22962-001	3/4" Flat Washer	4	2-35
51	S.O.S.	49842-000	3/4"-10 UNC Locknut	4	—
---	S.O.S.	58525-019	HCV Assembly Service Kit (Includes Key Nos 52, 56, 64)	2	—
52	R3011870	57977-000	HCV Assembly	2	2-57
56	S.O.S.	58994-005	HCV Linkage Assembly	2	—
64	S.O.S.	60921-000	Height Control Valve Linkage Bracket	2	—
65	S.O.S.	—	U-beam Assembly (Includes Key Nos. 16, 19, 30-32)	2	—

S.O.S. = Available through Meritor's S.O.S. Department

HENDRICKSON PRIMAAX® 230/460/690 -TYPE B

SUSPENSION PARTS

10" RIDE HEIGHT

Truck / Tractor

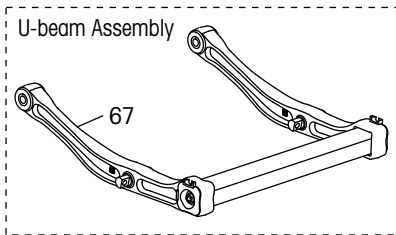
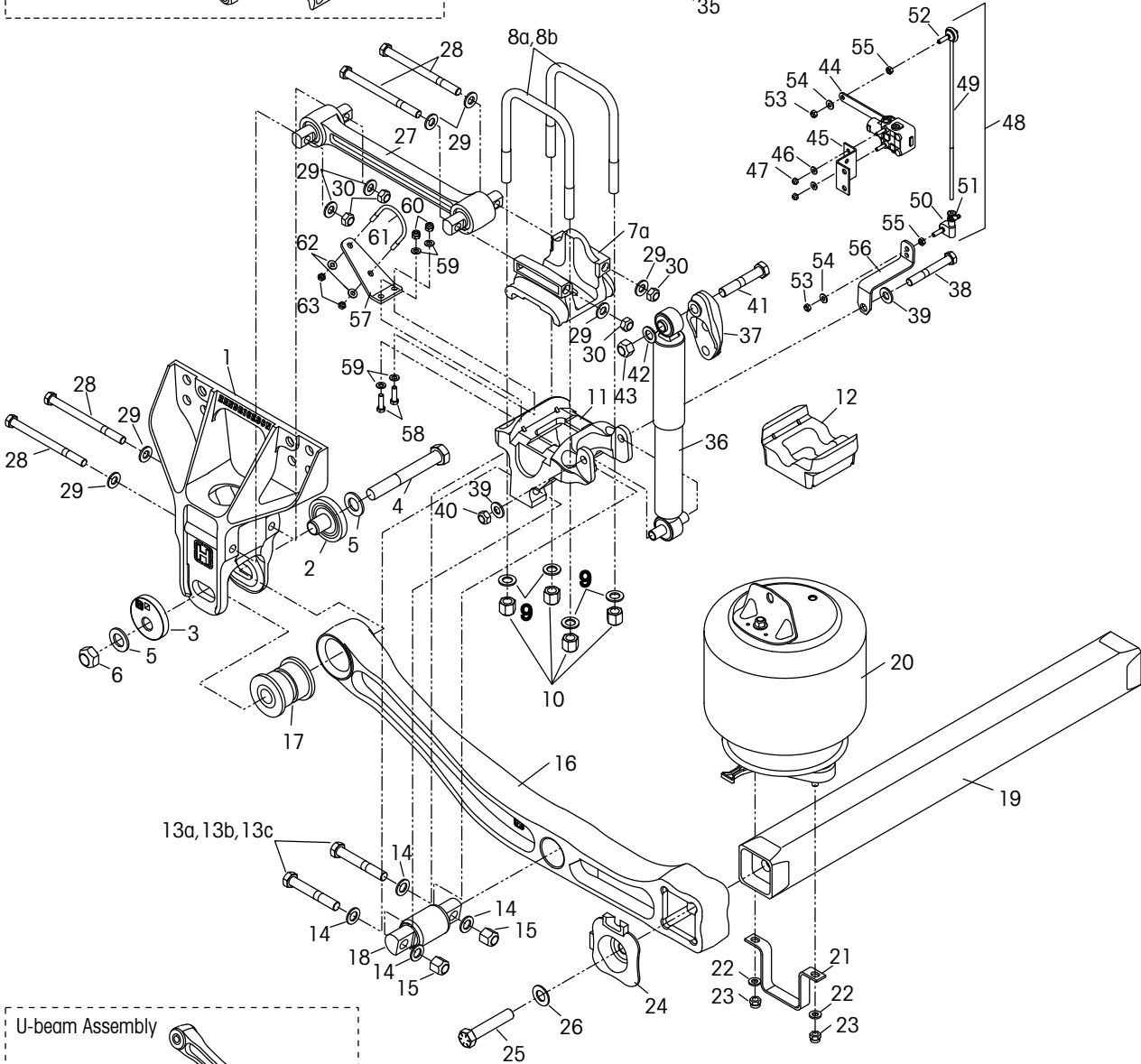
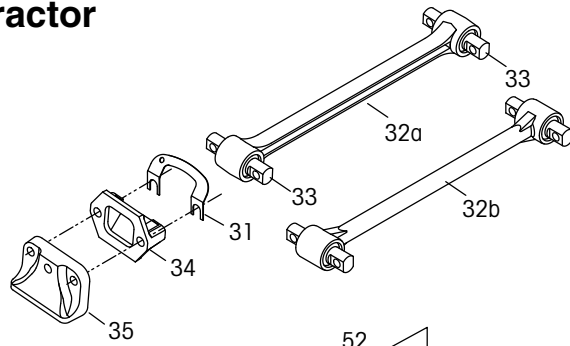
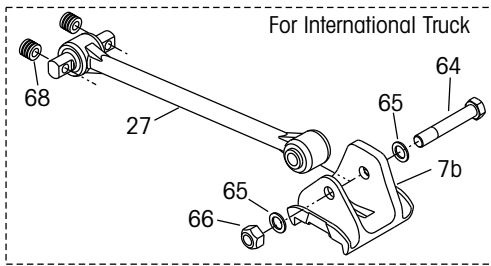
KEY NO.	MERITOR NO.	REPLACES HENDRICKSON NO.	DESCRIPTION	QTY PER TANDEM	PAGE NO.
1	S.O.S.	65891-000	Frame Hanger	4	—
—	R3014025	60632-008	QUIK-ALIGN™ Pivot Bushing Service Kit (Includes Key Nos. 2-7, 17)	4	1-230
	S.O.S.	60632-006	QUIK-ALIGN™ Collar Service Kit (Includes Key Nos. 2-6)		—
	S.O.S.	60632-005	QUIK-ALIGN™ Pivot Bolt Service Kit (Includes Key-Nos. 4-6)		—
2	S.O.S.	64633-000	QUIK-ALIGN™ Concentric Base	4	—
3	S.O.S.	64632-000	QUIK-ALIGN™ Eccentric Base	4	—
4	S.O.S.	64107-000	1.0"-8 UNC-2A Dacromet Hex Bolt, 7.5"	4	—
5	S.O.S.	22962-035	1.0" Flat Dacromet Washer	8	—
6	S.O.S.	64108900	1.0"-8 UNC-2B Dacromet Locknut	4	—
7a	S.O.S.	65289-000	Top Pad	4	—
7b	S.O.S.	65290-001	Top Pad - International Truck	4	—
---	S.O.S.	48718-129	U-Bolt Service Kit (Includes Key Nos. 8a-10)	4	—
	S.O.S.	48718-125	U-Bolt Service Kit (Includes Key Nos. 8b-10)		—
8a	S.O.S.	59367-013	3/4" Square U-Bolt - 10" Ride Height, For use with Key No. 7a	8	—
8b	S.O.S.	59367-004	3/4" Square U-Bolt - 9" Ride Height, For use with Key No. 7b		—
9	R302545	22962-001	3/4" Flat Washer	16	2-35
10	S.O.S.	49685-000	3/4"-16 UNF U-Bolt Locknut	16	—
11	S.O.S.	60556-	Bottom Cap, Front and Rear	4	—
12	S.O.S.	65139-003	Axle Spacer, International Truck	4	—
—	S.O.S.	34013-107	D-Pin Service Kit - 5.0" Bolt (Includes Key Nos. 13a-15, 18)	As Required	—
	S.O.S.	34013-116	D-Pin Service Kit - 5.5" Bolt (Includes Key Nos. 13b-15, 18)		—
	S.O.S.	34013-117	D-Pin Service Kit - 4.75" Bolt (Includes key Nos. 13c-15,18)		—
13a	S.O.S.	21867-036	3/4"-16 UNF Bolt, 5.0"	8	—
13b	S.O.S.	21867-026	3/4"-16 UNF Bolt, 5.5"		—
13c	S.O.S.	21867-043	3/4"-16 UNF Bolt, 4.75"		—
14	R302545	22962-001	3/4" Flat Washer	16	2-35
15	S.O.S.	30191-000	3/4"-16 UNF Locknut	8	—
16	S.O.S.	66435-003	Support Beam Assy - Left Front (Includes Key Nos. 17-18)	1	—
	S.O.S.	66435-004	Support Beam Assy - Right Front (Includes Key Nos. 17-18)		—
	S.O.S.	66435-001	Support Beam Assy - Left Rear (Includes Key Nos. 17-18)		—
	S.O.S.	66435-002	Support Beam Assy - Right Rear (Includes Key Nos. 17-18)		—
17	R3013992	58648-000	QUIK-ALIGN™ Pivot Bushing	4	1-230
18	R3014026	60383-000	D-Pin Bushing	4	1-230
19	S.O.S.	60912-001	Cross Brace, 40.0" Dowel Centers	2	—
	S.O.S.	60912-002	Cross Brace, 40.5" Dowel Centers		—
	S.O.S.	60912-003	Cross Brace, 40.25" Dowel Centers		—
	S.O.S.	60912-004	Cross Brace, 40.875" Dowel Centers		—
—	R3014027	60961-062	Air Spring Assy Service Kit - PRIMAAX (Includes Key Nos. 20-23)	As Required	1-231
20	FS9663	60271-002L	Air Spring Assembly	4	—
21	S.O.S.	60911-000	Lower Air Spring Mounting Bracket	4	—
22	S.O.S.	22962-014	1/2" Flat Washer	8	—
23	S.O.S.	17700-010	1/2"-13 UNC Locknut	8	—
24	S.O.S.	60822-000	End Cap	4	—

S.O.S. = Available through Meritor's S.O.S. Department

Continued On Next Page

HENDRICKSON PRIMAAAX® 230/460/690 -TYPE B

10" RIDE HEIGHT Truck / Tractor



1

HENDRICKSON PRIMAAX® 230/460/690 -TYPE B

SUSPENSION PARTS

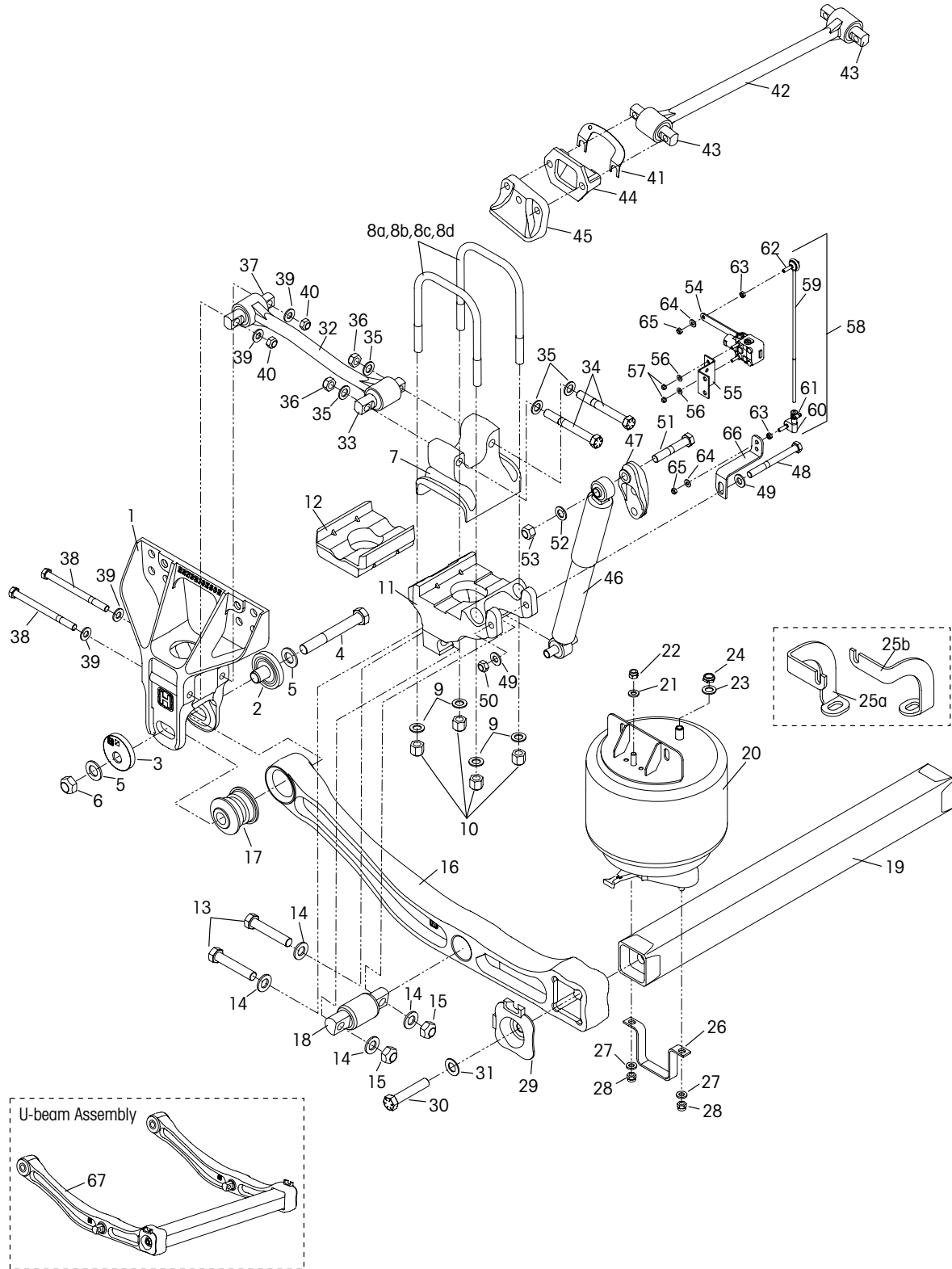
10" RIDE HEIGHT TRUCK/TRACTOR

KEY NO.	MERITOR NO.	REPLACES HENDRICKSON NO.	DESCRIPTION	QTY PER TANDEM	PAGE NO.
25	S.O.S.	50104-003	7/8"-9 UNC Hex Bolt, 3.5"	4	—
26	S.O.S.	22962-034	7/8" Dacromet Flat Washer	4	—
27	S.O.S.	—	Longitudinal Torque Rod Assembly	1	—
—	S.O.S.	58821-027	Longitudinal Torque Rod Bolt Service Kit (Includes Key Nos. 28-30)	As Required	—
—	S.O.S.	58821-012	Longitudinal Torque Rod Rear Bolt Service Kit, International Truck (Includes Key Nos. 64-66)	As Required	—
28	S.O.S.	32043-016	5/8"-11 UNC-2B Bolt - 8.0"	16	—
29	S.O.S.	22962-004	5/8" Flat Washer	32	—
30	S.O.S.	47764-000	5/8"-11 UNC-2A Locknut	16	—
31	R305281	49689-000	Shim	As Required	1-220
32a	R3013993	58757-006	Cast (I-Section) Transverse Rod Assembly	2	1-230
32b	S.O.S.	62000-565	Forged (Round) Transverse Rod Assembly		—
—	S.O.S.	62000-645	Transverse Rod Assy For International Truck		—
33	R305275	47691-000L	Bushing - Straddle Bar Pin (5/8" Holes)	4	1-231
34	R302634	22186-000	Transverse Rod Frame Bracket	2	1-214
35	S.O.S.	60593-000	Frame Mounted Axle Stop	4	—
—	S.O.S.	50754-031	Shock Fastener Service Kit (Includes Key Nos. 38-43)	As Required	—
36	R3014031	60657-003	Shock Absorber	4	1-231
	S.O.S.	60657-005	Shock Absorber, Kenworth		—
37	S.O.S.	65000-002	Upper Shock Frame Bracket	4	—
38	S.O.S.	32043-017	5/8"-11 UNC Bolt, 6.0"	4	—
39	S.O.S.	22962-004	5/8" Flat Washer	8	—
40	S.O.S.	47764-000	5/8"-11 UNC-2B Locknut	4	—
41	S.O.S.	50764-010	3/4"-10 UNC Bolt, 4.25"	4	—
42	R302545	22962-001	3/4" Flat Washer	4	2-35
43	S.O.S.	49842-000	3/4"-10 UNC Locknut	4	—
—	S.O.S.	58525-019	HCV Assembly Service Kit (Includes Key Nos. 44, 48, 56)	As Required	—
44	R3011870	57977-000	Height Control Valve Assembly (Includes Key Nos. 45-47)	1	2-57
48	S.O.S.	58994-005	HCV Linkage Assembly (Includes Key Nos. 49-55)	1	—
56	S.O.S.	60921-000	Height Control Valve Linkage Bracket	1	—
57	S.O.S.	64508-000	S-cam Support Bracket	4	—
58	S.O.S.	58035-004	3/8"-16 UNC Hex Bolt, 1.25"	8	—
59	S.O.S.	22962-015	3/8" Hardened Washers	16	—
60	S.O.S.	17700-006	3/8"-16 UNC Locknut	8	—
61	S.O.S.	64202-000	5/16" S-cam U-bolt	4	—
62	S.O.S.	22962-029	5/16" Hardened Washer	8	—
63	S.O.S.	59016-000	5/16"-18 UNC Locknut	8	—
64	S.O.S.	30418-009	7/8"-14 UNF-2A Hex Bolt, 5.5"	4	—
65	S.O.S.	22962-034	7/8" Dacromet Flat Washer	8	—
66	R301835	29248-000	7/8"-14 UNF-2B Locknut	4	2-34
67	S.O.S.	—	U-beam Assembly (Includes Key Nos. 16, 19, 24-26)	2	—
68	S.O.S.	670045-000	Torque Rod Spacer, International Truck	As Required	—

S.O.S. = Available through Meritor's S.O.S. Department

HENDRICKSON PRIMAAAX® 260/520/780 - TYPE B

8 1/2" - 10" RIDE HEIGHT Truck / Tractor



1

HENDRICKSON PRIMAAX® 260/520/780 - TYPE B

8 1/2" - 10" RIDE HEIGHT

Truck / Tractor

KEY NO.	MERITOR NO.	REPLACES HENDRICKSON NO.	DESCRIPTION	QTY. PER TANDEM	PAGE NO.
1	S.O.S.	60821-001	Frame Hanger	4	—
—	R3014025	60632-008	Pivot bushing Service Kit (Includes Key Nos 2-6, 17)	2	1-230
—	S.O.S.	60632-006	Collar Service Kit (Includes Key Nos 2-6)		—
—	S.O.S.	60632-005	Pivot Bolt Service Kit (Includes Key Nos 4-6)		—
2	S.O.S.	64633-000	Concentric Base	4	—
3	S.O.S.	64632-000	Eccentric Base	4	—
4	S.O.S.	64107-000	1.0"-8 UNC-2A Dacromet Hex Bolt - 7.5"	4	—
5	S.O.S.	22962-035	1.0" Flat Dacromet Washer	8	—
6	S.O.S.	64108-000	1.0" UNC-2B Dacromet Locknut	4	—
7	S.O.S.	Various	Top Pad	2	—
—	S.O.S.	48718-120	U-Bolt Service Kit - 10" RH (Includes Key Nos 8a-8b, 9-10)	2	—
—	S.O.S.	48718-118	U-Bolt Service Kit - 8-1/2" RH (Includes Key nos 8c-8d, 9-10)		—
8a	S.O.S.	59367-007	3/4" Square U-bolt Outboard 10" RH	4	—
8b	S.O.S.	59367-008	3/4" Square U-bolt Inboard 10" RH	4	—
8c	S.O.S.	59367-010	3/4" Square U-bolt Outboard 8-1/2" RH	4	—
8d	S.O.S.	68367-011	3/4" Square U-bolt Inboard 8-1/2" RH	4	—
9	R302545	22962-001	3/4" Flat Washer	16	2-35
10	S.O.S.	49685-000	3/4"-16 UNF U-bolt Locknut	16	—
11	S.O.S.	—	Bottom Cap - Front and Rear	4	—
12	S.O.S.	—	Axle Spacer	4	—
—	R3013983	34013-114	D-Pin Service Kit (Includes Key Nos 13-15, 18)	4	1-230
13	S.O.S.	30418-009	7/8"-14 UNF Bolt - 5.5"	8	—
14	S.O.S.	22962-007	7/8" Flat Washer	16	—
15	R301835	29248-000	7/8"-14 UNF Locknut	8	2-34
16	S.O.S.	Various	Support Beam Assembly	1	—
17	R3013992	58648-000	Pivot Bushing	4	1-230
18	R3014039	65381-000	D-Pin Bushing	4	1-232
19	S.O.S.	Various	Cross Brace	2	—
—	S.O.S.	60961-118	Air Spring Service Kit (Includes Key Nos 20, 23-24, 26-28)	4	—
20	R3014040	66255-002	Air Spring Assembly (Includes 21-22)	4	1-232
21	S.O.S.	22962-014	1/2" Flat Washer	4	—
22	S.O.S.	17700-010	1/2"-13 UNC Locknut	4	—
23	R302545	22962-001	3/4" Flat Washer	4	2-35
24	S.O.S.	17700-031	3/4"-16 UNF Locknut	4	—
25a	S.O.S.	59479-003	Air Spring Gusset	2	—
25b	S.O.S.	59479-004	Air Spring Gusset	2	—
26	S.O.S.	60911-000	Lower Air Spring Mounting Bracket	4	—
27	S.O.S.	22962-014	1/2" Flat Washer	8	—

S.O.S. = Available through Meritor's S.O.S. Department

Continued On Next Page

HENDRICKSON PRIMAAX® 260/520/780 - TYPE B

8 1/2" - 10" RIDE HEIGHT

Truck / Tractor

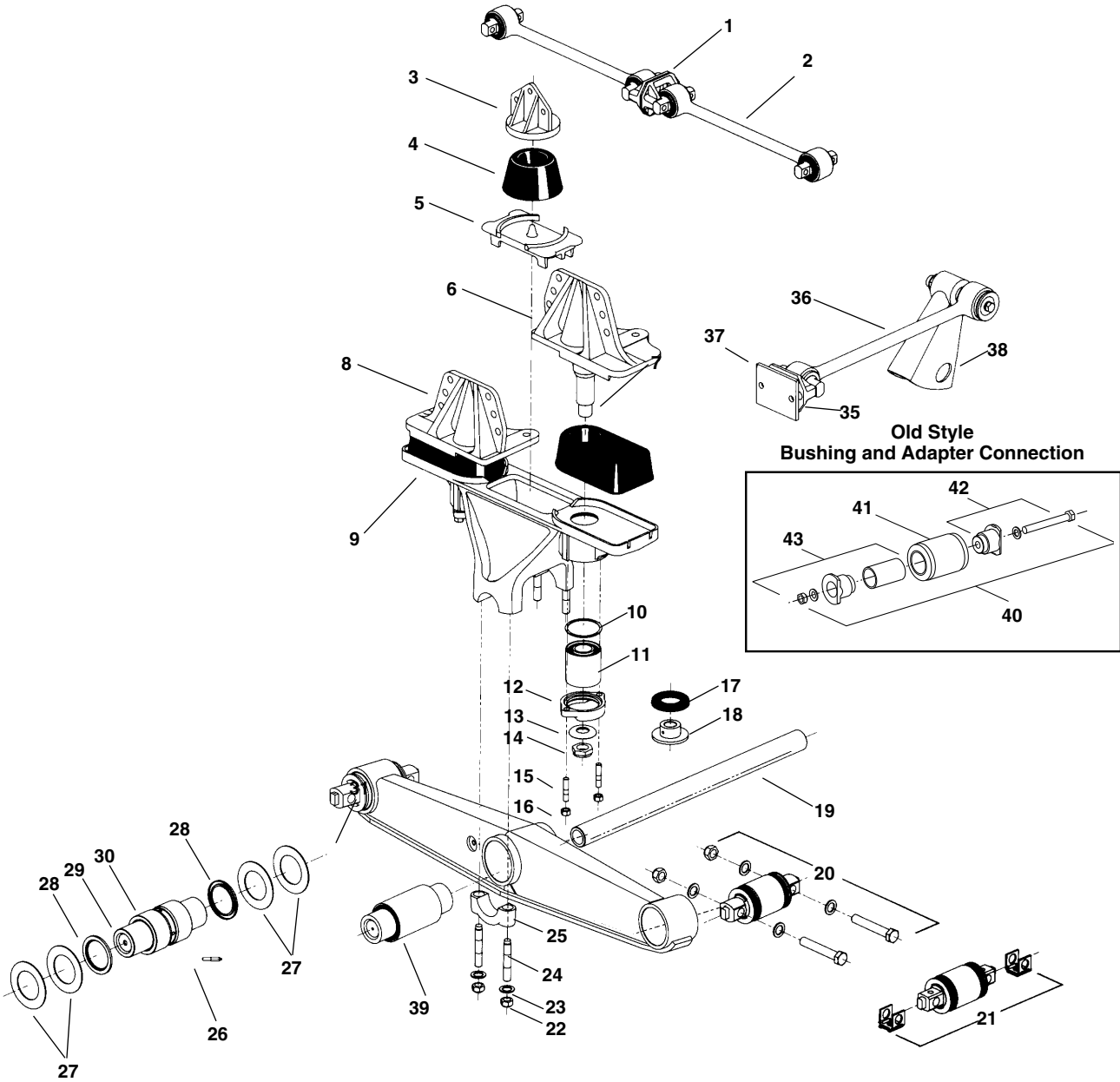
KEY NO.	MERITOR NO.	REPLACES HENDRICKSON NO.	DESCRIPTION	QTY. PER TANDEM	PAGE NO.
28	S.O.S.	17700-010	1/2"-13 UNC Locknut	8	—
29	S.O.S.	60822-000	End Cap	4	—
30	S.O.S.	50104-003	7/8"-9 UNC Hex Bolt - 3.5"	4	—
31	S.O.S.	22962-034	7/8" Dacromet Flat Washer	4	—
32	S.O.S.	—	Longitudinal Torque Rod Assembly		—
33	R3010322	69210-000H	Bushing - Straddle Bar Pin (3/4" holes)	4	1-231
—	S.O.S.	—	Longitudinal Torque Rod Rear Bolt Service Kit (Includes Key Nos 34-36)	4	—
34	S.O.S.	21867-007	3/4"-16 UNF-2A Hex Bolt -6.0"	8	—
35	R302545	22962-001	3/4" Flat Washer	16	2-35
36	S.O.S.	30191-000	3/4"-16 UNF-2B Locknut	8	—
37	R305275	47691-000L	Bushing - Straddle Bar Pin (5/8" holes)	4	1-231
38	S.O.S.	32043-016	5/8"-11 UNF-2A Hex Bolt - 8.0"	8	—
39	S.O.S.	22962-004	5/8" Flat Washer	16	—
40	S.O.S.	47764-000	5/8"-11 UNC-2B Locknut	8	—
41	R305281	49689-000	Shim	As Required	1-220
42	R3014041	62000-620	Transverse Rod Assembly (Includes Bushings)	2	1-232
43	R305275	47691-000L	Bushing - Straddle Bar Pin (5/8" holes)	4	1-231
44	R302634	22186-000	Transverse Rod Frame Bracket	2	1-214
45	S.O.S.	60593-000	Frame Mounted Axle Stop	4	—
—	S.O.S.	50754-029	Shock Fastener Service Kit (Includes Key Nos 46-51)	4	—
46	R3014042	60665-013	Shock Absorber (Vehicle with Drum Brakes)	4	1-232
	R3014043	60665-015	Shock Absorber (Vehicle with Disc Brakes)		1-233
47	S.O.S.	65000-002	Upper Shock Frame Bracket	4	—
48	S.O.S.	32043-007	5/8"-11 UNC Bolt -7.0"	4	—
49	S.O.S.	22962-004	5/8" Flat Washer	8	—
50	S.O.S.	47764-000	5/8"-11 UNC-2B Locknut	4	—
51	S.O.S.	50764-010	3/4"-10 UNC Bolt -4/25"	4	—
52	R302545	22962-001	3/4" Flat Washer	4	2-35
53	S.O.S.	49842-000	3/4"-10 UNC Locknut	4	—
---	S.O.S.	58525-019	HCV Assembly Service Kit	2	—
54	R3011870	57977-000	HCV Assembly	2	2-57
55	S.O.S.	58994-005	HCV Linkage Assembly	2	—
56	S.O.S.	60921-000	Height Control Valve Linkage Bracket	2	—
57	S.O.S.	—	U-beam Assembly (Includes Key Nos. 16, 19, 30-32)	2	—

S.O.S. = Available through Meritor's S.O.S. Department

HENDRICKSON RS-400/403/460/463 SUSPENSION

Truck/Tractor

1



HENDRICKSON RS-400/403/460/463 SUSPENSION PARTS

Truck/Tractor

KEY NO.	MERITOR NO.	REPLACES HENDRICKSON NO.	DESCRIPTION	QUANTITY PER TANDEM	RS-400	RS-403	RS-460	RS-463	PAGE NO.	
1	R302634	22186-000	Frame Bracket, Torque Rod	2	X	X	X	X	1-214	
2	See Torque Rod Section		Torque Rod Assembly	2	X	X	X	X	2-36	
—	S.O.S.	20681-072	Heavy-Duty Cushion Kit, 34" Frame	1		X		X	—	
		20681-077	Heavy-Duty Cushion Kit, 34 1/2" Frame Includes Key Nos. 3, 4, 5	1		X		X	—	
3	R307617	48523-001	Frame Hanger, 34" Frame Width	2		X		X	1-207	
	R307619	48525-001	Frame Hanger, 34 1/2" Frame Width			X		X	1-207	
4	R302232	24209-000	Heavy-Duty Load Cushion	2		X		X	1-208	
5	R302604	20781-000	Saddle Plate	2		X		X	1-233	
6	See Hanger Section		Frame Hanger Left Hand Front/Right Hand Rear, Includes Key Nos. 13, 14	2	X	X	X	X	1-202	
7	R301598A	48973-000	Load Cushion, 60 Durometer	4	X	X	X	X	1-208	
	R301960	26953-000L	Load Cushion, 70 Durometer		X	X	X	X	1-208	
8	See Hanger Section		Frame Hanger, Right Hand Front/Left Hand Rear, Includes Key Nos. 13, 14	2	X	X	X	X	1-202	
9	S.O.S.	08606-132 (Old)	Saddle Assembly, 12 1/4", Includes Key Nos. 10 to 12, 15, 16, 22 to 25	2	X	X	X	X	—	
		08606-160 (New)								
	S.O.S.	08606-136 (Old)	Saddle Assembly, 12 7/8", Includes Key Nos. 10 to 12, 15, 16, 22 to 25		X	X	X	X		X
		08606-152 (New)								
	S.O.S.	08606-133 (Old)	Saddle Assembly, 14", Includes Key Nos. 10 to 12, 15, 16, 22 to 25		X	X	X	X		X
		08606-164 (New)								
	S.O.S.	08606-134 (Old)	Saddle Assembly, 15 1/4", Includes Key Nos. 10 to 12, 15, 16, 22 to 25		X	X	X	X		X
		08606-166 (New)								
10	R309418	50780-000	Saddle Bearing Ring	4	X	X	X	X	1-209	
11	R301940	19279-000L	Vertical Bushing	4	X	X	X	X	1-208	
	R309515 (Poly)									
12	R301941	05917-000	Cap	4	X	X	X	X	1-208	
13	R301945	08536-000	Concave Washer, 1 1/2"	4	X	X	X	X	1-208	
14	R301946	25151-000	UNF Nylocknut, 1 1/2"-12 Thd.	4	X	X	X	X	1-209	
15	R301942	19111-001	UNF Stud, 5/8"-18 Thd.	8	X	X	X	X	1-208	
16	R301943	19114-000	UNF Locknut, 5/8"-18 Thd.	8	X	X	X	X	1-209	
—	S.O.S.	31005-001	Stop Nut Kit, One Side		Optional	Optional	Optional	Optional	—	
		31005-002	Stop Nut Kit, Two Sides Includes Key Nos. 17, 18	1	Optional	Optional	Optional	Optional	—	
17	R302233	30208-000	Rebound Bumper	As Required	Optional	Optional	Optional	X	1-209	
18	R307620	30251-000	Stop Nut	As Required	Optional	Optional	Optional	X	1-209	
19	R301842	44643-009L	Cross Tube, 44 7/8"	1	X	X			1-188	
20	R309325	34013-087L	Bar Pin Bushing Kit, Non-Shim Type	4	X	X	X	X	1-192	
21	R309326	34013-088L	Bar Pin Bushing Kit, Shim Type	4	X	X	X	X	1-192	
22	R301835	04842-000	UNF Saddle Cap Locknut, 7/8"-14 Thd.	8	X	X	X	X	2-34	
23	R301834	22962-002	Hardened Washer, 7/8"	8	X	X	X	X	2-35	
24	R301947	09030-000	UNF-9 UNC Saddle Cape Stud, 7/8"-14 Thd.	8	X	X	X	X	1-199	

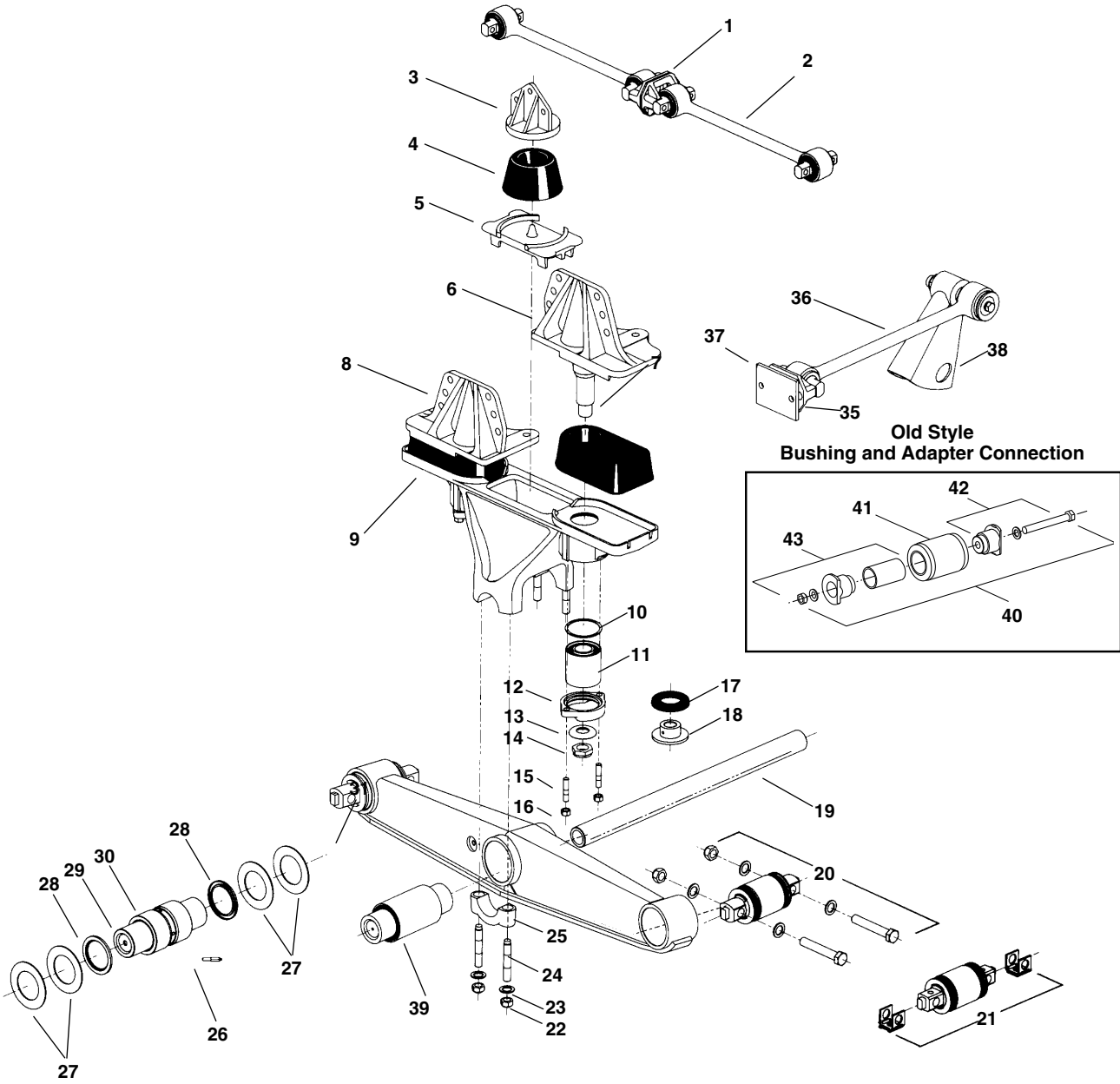
S.O.S. = Available through Meritor's S.O.S. Department

Continued On Next Page

HENDRICKSON RS-400/403/460/463 SUSPENSION

Truck/Tractor

1



HENDRICKSON RS-400/403/460/463 SUSPENSION PARTS

Truck/Tractor

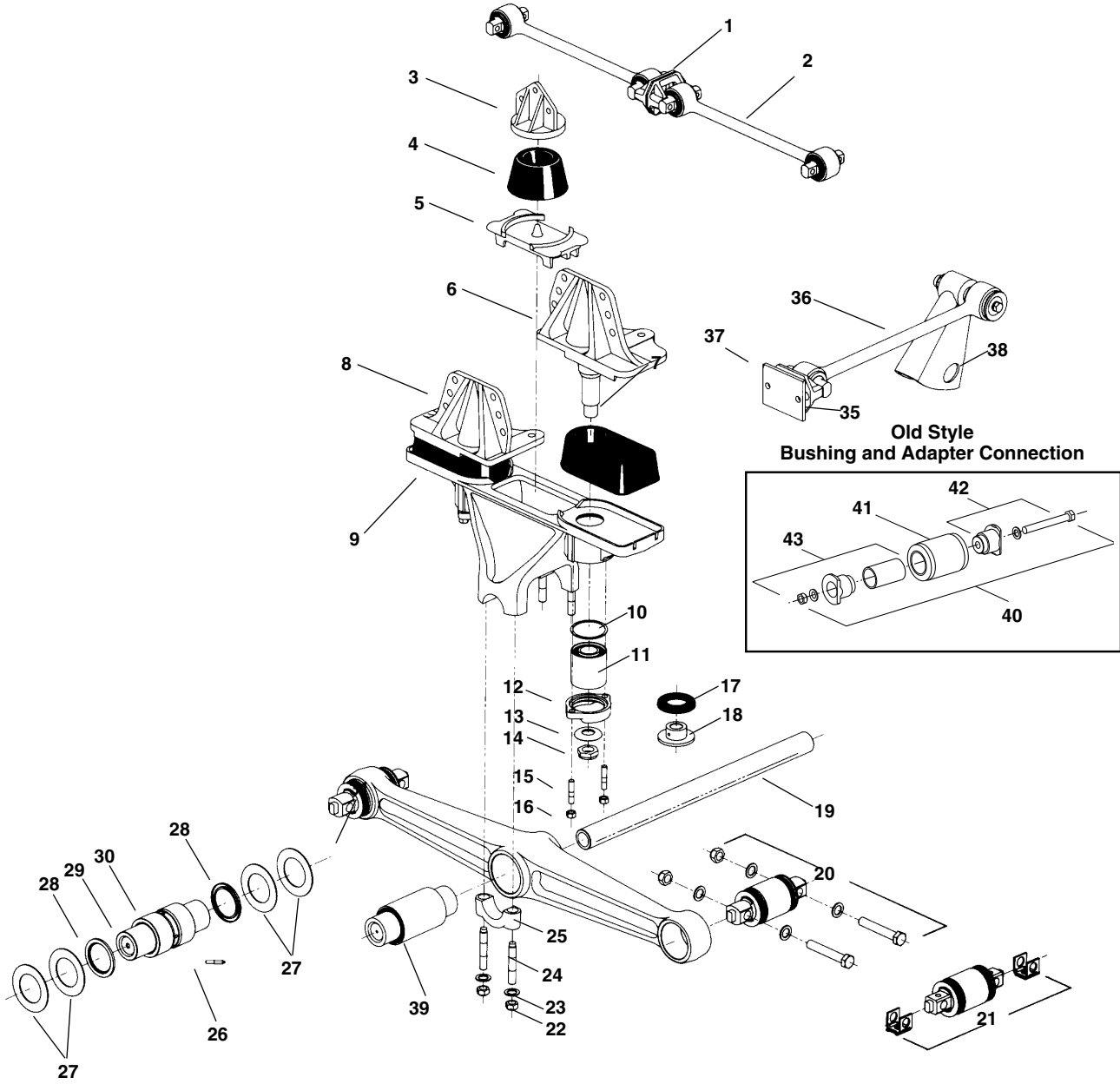
KEY NO.	MERITOR NO.	REPLACES HENDRICKSON NO.	DESCRIPTION	QUANTITY PER TANDEM	RS-400	RS-403	RS-460	RS-463	PAGE NO.
25	R301833A	48545-000 (Old)	Saddle Cap	4	X	X	X	X	1-199
		58795-000 (New)							
—	R301546	30437-000L	Bronze Center Bushing Kit	1	X	X	X	X	1-190
26	S.O.S.	30087-000	Lube Fitting with Forged Beam	2	X	X	X	X	—
		58758-001	Lube Fitting with Fabricated Beam						
27	R302021	32365-000	Thrust Washer	8	X	X	X	X	1-191
28	R301553	30334-000	Center Beam Seal	4	X	X	X	X	1-191
		R303913	45229						
29	R301551	14685-000L	Beam Center Sleeve	2	X	X	X	X	1-190
30	R301552	30240-002	Bronze Center Bushing	2	X	X	X	X	1-190
31	S.O.S.	Various	Walking Beam	2	X	X	X	X	—
—	R305309	34013-049L	End Beam Bushing Kit, Old Style RS400 Only, Includes Key Nos. 32, 33	4	X	X	X	X	1-191
	R309576	34013-073L	End Beam Bushing Kit Includes Key Nos. 32, 33						
	R309577	34013-050L	End Beam Bushing Kit Includes Key Nos. 32, 33						
32	R301341A	45900-000L	End Beam Bushing, Old Style	4	X	X	X	X	1-192
	R302771	29878-001L							
	R309419	45407-000							
33	R302374	45000-007L	End Beam Adapter, Old Style	4	X	X	X	X	1-193
	R309420	21140-034L	Uses Bushing R301341A, Bolt Size 1" x 10 1/2"						
	R309421	21140-033	Uses Bushing R309419, Bolt Size 1"x11"						
34	R302375	45000-008	Split Flange Adapter, Old Style	4	X	X	X	X	1-193
	S.O.S.	21140-040							
	S.O.S.	21140-028							
	S.O.S.	21140-023							
35	R302634	22186-000	Frame Bracket, Torque Rod	2	X	X	X	X	1-214
36	See Torque Rod Section		Transverse Torque Rod Assembly	2	X	X	X	X	2-36
37	S.O.S.	45045-003	Back Up Plate	2	X	X	X	X	—
38	S.O.S.	Various	Axle Bracket	2	X	X	X	X	—
39	R306979	49400-000L	Center Bushing, Rubber	2	X	X			1-189
	R306980	49600-000L	Center Bushing, Loose End Plug	2	X	X			1-189
	R309359	29483-005L	Center Bushing, Rubber, Requires Transverse Rods	2			X	X	1-189
40	R305309	34013-049L	End Bushing and Adapter Kit	4		X			1-191
	R309576	34013-073L	End Bushing and Adapter Kit	4				X	1-191
41	R301341A	45900-000L	End Bushing	4	X	X	X	X	1-192
42	R309420	21140-034L	End Bushing Adapter Kit	4			X	X	1-193
43	R302374	45000-007L	End Bushing Adapter Kit	4	X	X			1-193

S.O.S. = Available through Meritor's S.O.S. Department

HENDRICKSON RS-480/503/520/523 SUSPENSION

Truck/Tractor

1



HENDRICKSON RS-480/503/520/523 SUSPENSION PARTS

Truck/Tractor

KEY NO.	MERITOR NO.	REPLACES HENDRICKSON NO.	DESCRIPTION	QUANTITY PER TANDEM	RS-480	RS-503	RS-520	RS-523	PAGE NO.
1	R302634	22186-000	Frame Bracket, Torque Rod	2	X	X	X	X	1-214
2	See Torque Rod Section		Torque Rod Assembly	2	X	X	X	X	2-36
—	S.O.S.	20681-072	Heavy-Duty Cushion Kit, 34" Frame	1		X		X	—
		20681-077	Heavy-Duty Cushion Kit, 34 1/2" Frame Includes Key Nos. 3, 4, 5	1		X		X	—
3	R307617	48523-001	Frame Hanger, 34" Frame Width	2		X		X	1-207
	R307619	48525-001	Frame Hanger, 34 1/2" Frame Width			X		X	1-207
4	R302232	24209-000	Heavy-Duty Load Cushion	2		X		X	1-208
5	R302604	20781-000	Saddle Plate	2		X		X	1-233
6	See Hanger Section		Frame Hanger Left Hand Front/Right Hand Rear, Includes Key Nos. 13, 14	2	X	X	X	X	1-202
7	R301960	26953-000L	Load Cushion, 70 Durometer	4	X	X	X	X	1-208
8	See Hanger Section		Frame Hanger, Right Hand Front/Left Hand Rear, Includes Key Nos. 13, 14	2	X	X	X	X	1-202
9	S.O.S.	08606-132 (Old)	Saddle Assembly, 12 1/4", Includes Key Nos. 10 to 12, 15, 16, 22 to 25	2	X	X	X	X	—
		08606-160 (New)			X	X	X	X	
	S.O.S.	08606-136 (Old)	Saddle Assembly, 12 7/8", Includes Key Nos. 10 to 12, 15, 16, 22 to 25		X	X	X	X	
		08606-152 (New)			X	X	X	X	
	S.O.S.	08606-133 (Old)	Saddle Assembly, 14", Includes Key Nos. 10 to 12, 15, 16, 22 to 25		X	X	X	X	
		08606-164 (New)			X	X	X	X	
S.O.S.	08606-134 (Old)	Saddle Assembly, 15 1/4", Includes Key Nos. 10 to 12, 15, 16, 22 to 25	X	X	X	X			
	08606-166 (New)		X	X	X	X			
10	R309418	50780-000	Saddle Bearing Ring	4	X	X	X	X	1-209
11	R301940								
12	R309515 (Poly)	19279-000L	Vertical Bushing	4	X	X	X	X	1-208
13	R301945	08536-000	Concave Washer, 1 1/2"	4	X	X	X	X	1-208
14	R301946	25151-000	UNF Nylocknut, 1 1/2"-12 Thd.	4	X	X	X	X	1-209
15	R301942	19111-001	UNF Stud, 5/8"-18 Thd.	8	X	X	X	X	1-208
16	R301943	19114-000	UNF Locknut, 5/8"-18 Thd.	8	X	X	X	X	1-209
—	S.O.S.	31005-001	Stop Nut Kit, One Side		Optional	Optional	Optional	Optional	—
		31005-002	Stop Nut Kit, Two Sides Includes Key Nos. 17, 18	1	Optional	Optional	Optional	Optional	—
17	R302233	30208-000	Rebound Bumper	As Required	Optional	Optional	Optional	X	1-209
18	R307620	30251-000	Stop Nut	As Required	Optional	Optional	Optional	X	1-209
19	R301842	44643-009L	Cross Tube, 44 7/8"	1	X	X			1-188
	R309426	07622-003	Cross Tube, 46"				X	X	1-188
20	R309325	34013-087L	Bar Pin Bushing Kit, Non-Shim Type	4	X	X	X	X	1-192
21	R309326	34013-088L	Bar Pin Bushing Kit, Shim Type	4	X	X	X	X	1-192
22	R301835	04842-000	UNF Saddle Cap Locknut, 7/8"-14 Thd.	8	X	X	X	X	2-34
23	R301834	22962-002	Hardened Washer, 7/8"	8	X	X	X	X	2-35
24	R301947	09030-000	UNF-9 UNC Saddle Cape Stud, 7/8"-14 Thd.	8	X	X	X	X	1-199

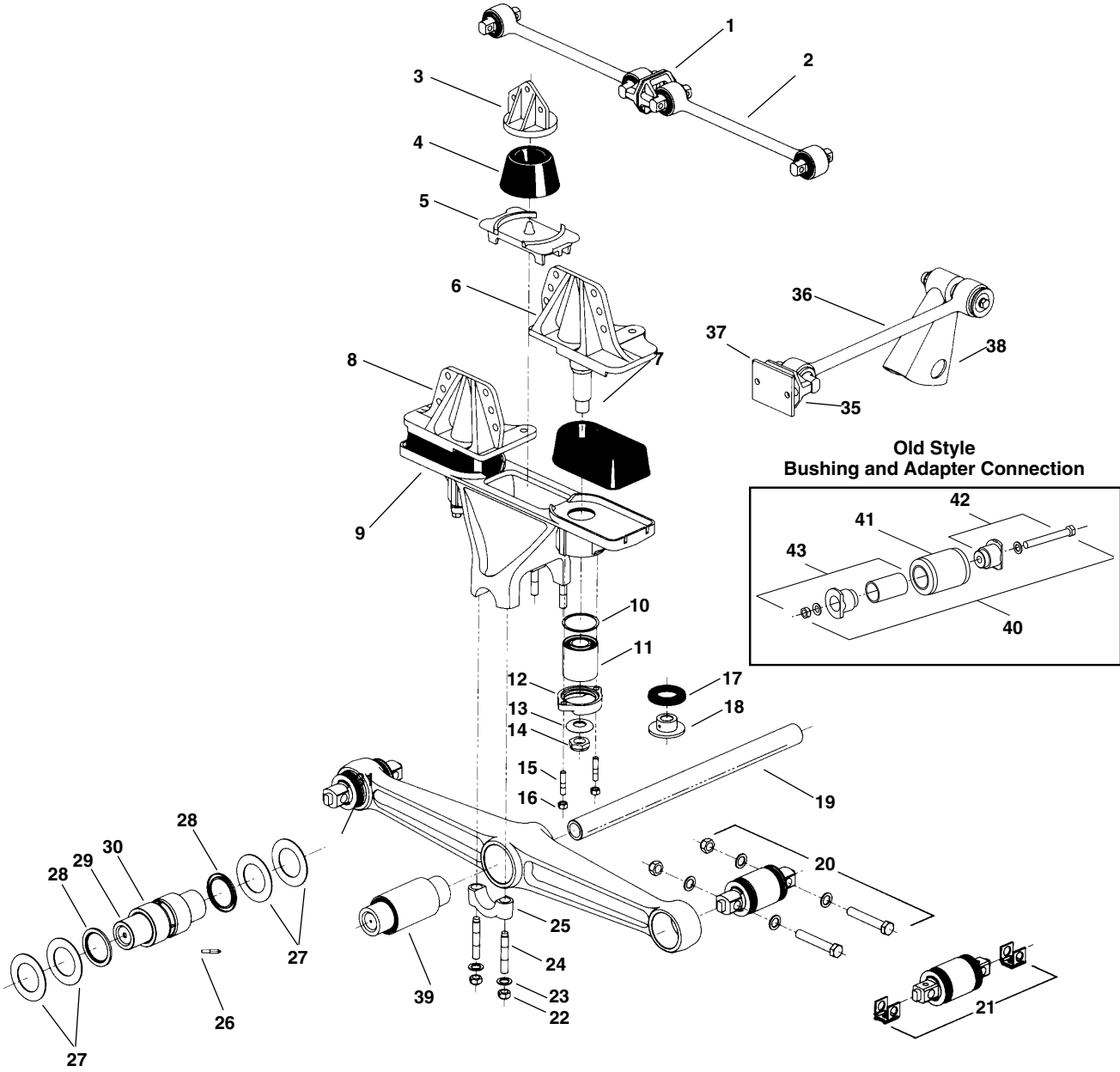
S.O.S. = Available through Meritor's S.O.S. Department

Continued On Next Page

HENDRICKSON RS-480/503/520/523 SUSPENSION

Truck/Tractor

1



HENDRICKSON RS-480/503/520/523 SUSPENSION PARTS

Truck/Tractor

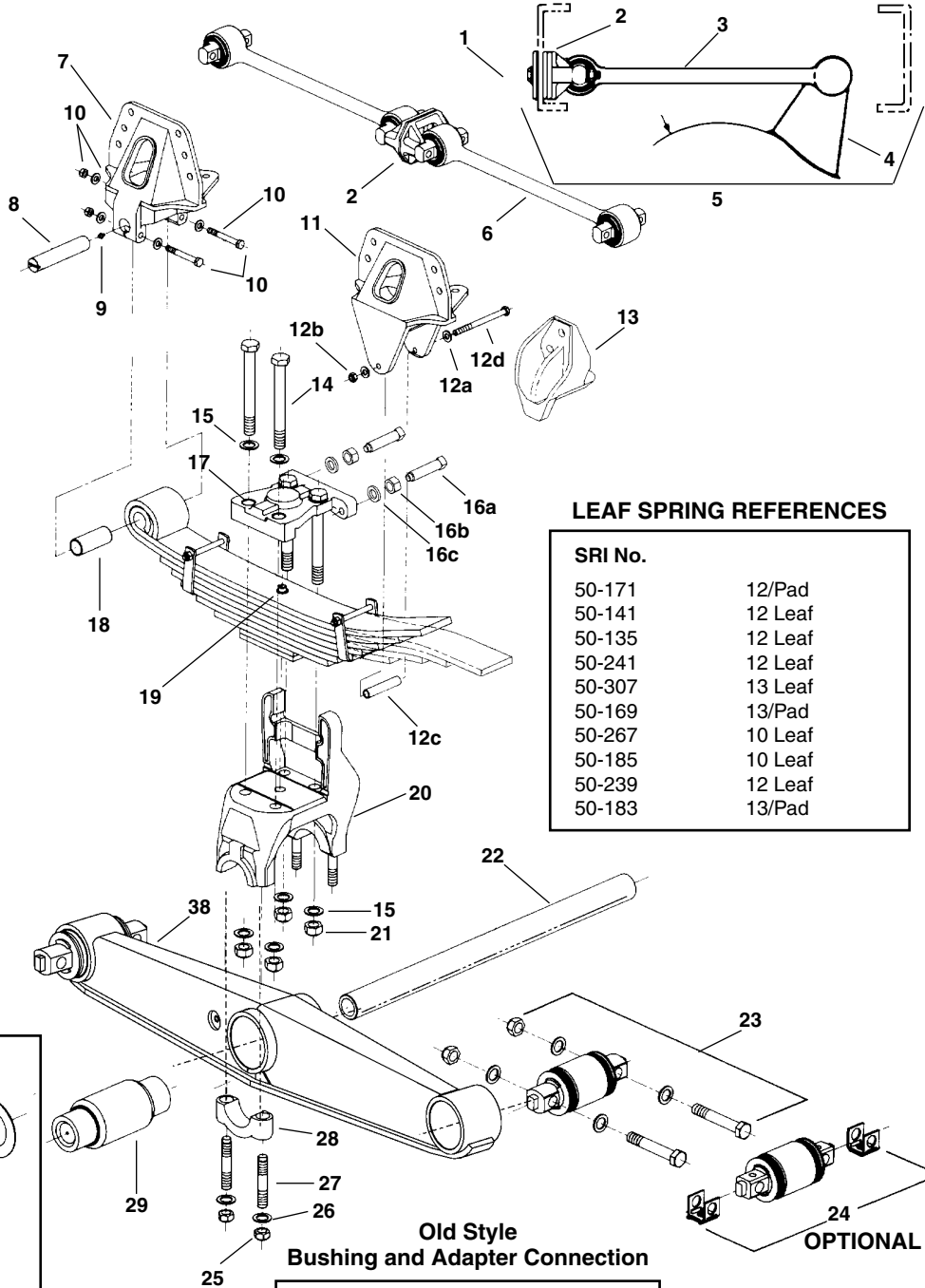
KEY NO.	MERITOR NO.	REPLACES HENDRICKSON NO.	DESCRIPTION	QUANTITY PER TANDEM	RS-480	RS-503	RS-520	RS-523	PAGE NO.
25	R301833A	48545-000 (Old)	Saddle Cap	4	X	X	X	X	1-199
		58795-000 (New)							
—	R301546	30437-000L	Bronze Center Bushing Kit	1	X	X	X	X	1-190
26	S.O.S.	30087-000	Lube Fitting with Forged Beam	2	X	X	X	X	—
		58758-001	Lube Fitting with Fabricated Beam						
27	R302021	32365-000	Thrust Washer	8	X	X	X	X	1-191
28	R301553	30334-000	Center Beam Seal	4	X	X	X	X	1-191
	R303913	45229	Center Beam Seal						
29	R301551	14685-000L	Beam Center Sleeve	2	X	X	X	X	1-190
30	R301552	30240-002	Bronze Center Bushing	2	X	X	X	X	1-190
31	S.O.S.	Various	Walking Beam	2	X	X	X	X	—
—	R305309	34013-049L	End Beam Bushing Kit, Old Style RS400 Only, Includes Key Nos. 32, 33	4	X	X	X	X	1-191
	R309576	34013-073L	End Beam Bushing Kit Includes Key Nos. 32, 33		X	X	X	X	1-191
	R309577	34013-050L	End Beam Bushing Kit Includes Key Nos. 32, 33		X	X	X	X	1-191
32	R301341A	45900-000L	End Beam Bushing, Old Style	4	X	X	X	X	1-192
	R302771	29878-001L			X	X	X	X	1-192
	R309419	45407-000			X	X	X	X	1-192
33	R302374	45000-007L	End Beam Adapter, Old Style	4	X	X	X	X	1-193
	R309420	21140-034L	Uses Bushing R301341A, Bolt Size, 1" x 10 1/2"		X	X	X	X	1-193
	R309421	21140-033	Uses Bushing R309419, Bolt Size 1"x11"		X	X	X	X	1-193
34	R302375	45000-008	Split Flange Adapter, Old Style	4	X	X	X	X	1-193
	S.O.S.	21140-040			X	X	X	X	—
	S.O.S.	21140-028			X	X	X	X	—
	S.O.S.	21140-023			X	X	X	X	—
35	R302634	22186-000	Frame Bracket, Torque Rod	2	X	X	X	X	1-214
36	See Torque Rod Section		Transverse Torque Rod Assembly	2	X	X	X	X	2-36
37	S.O.S.	45045-003	Back Up Plate	2	X	X	X	X	—
38	S.O.S.	Various	Axle Bracket	2	X	X	X	X	—
39	R306979	49400-000L	Center Bushing, Rubber	2	X				1-189
	R306980	49600-000L	Center Bushing, Loose End Plug	2	X				1-189
	R309359	29483-005L	Center Bushing, Rubber	2		X	X	X	1-189
40	R309577	34013-050L	End Bushing and Adapter Kit	4	X	X	X	X	1-191
	S.O.S.	34013-051L	End Bushing and Adapter Kit	4			X	X	—
41	R302771	29878-001L	End Bushing	4	X	X			1-192
	R309419	45407-000L	End Bushing	4			X	X	1-192
42	R309420	21140-034L	End Bushing Adapter Kit	4	X	X	X	X	1-193
43	S.O.S.	21140-033L	End Bushing Adapter Kit	4			X	X	—

S.O.S. = Available through Meritor's S.O.S. Department

HENDRICKSON RT/RTE 340/343/400/403/460/463 SUSPENSION

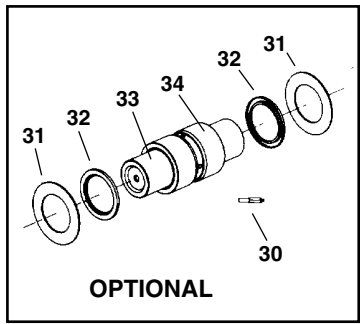
Truck/Tractor

TRANSVERSE TORQUE ARM

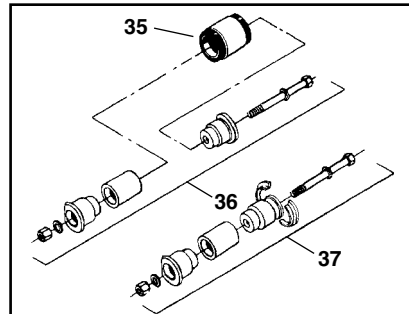


LEAF SPRING REFERENCES

SRI No.	
50-171	12/Pad
50-141	12 Leaf
50-135	12 Leaf
50-241	12 Leaf
50-307	13 Leaf
50-169	13/Pad
50-267	10 Leaf
50-185	10 Leaf
50-239	12 Leaf
50-183	13/Pad



Old Style
Bushing and Adapter Connection



1

HENDRICKSON RT/RTE 340/343/400/403/460/463 SUSPENSION PARTS

Truck/Tractor

KEY NO.	MERITOR NO.	REPLACES HENDRICKSON NO.	CASTING NO.	DESCRIPTION	QTY. PER TANDEM	RT	RT	RT	RT	RT	RT	RTE	RTE	RTE	RTE	RTE	PAGE NO.	
						340	343	400	403	460	463	340	343	400	403	460		463
1	S.O.S.	45045-003		Backup Plate	2	X	X	X	X	X	X	X	X	X	X	X	—	
2	R302634	22186-000		Torque Rod Frame Bracket	2	X	X	X	X	X	X	X	X	X	X	X	1-214	
3	See Torque Rod Section			Transverse Torque Rod	2	X	X	X	X	X	X	X	X	X	X	X	2-36	
4	S.O.S.	Various		Transverse Rod Axle Bracket	2	X	X	X	X	X	X	X	X	X	X	X	—	
5	S.O.S.	Various		Transverse Torque Rod Assembly (Includes Key Nos. 1, 2, 3, 4)	2	X	X	X	X	X	X	X	X	X	X	X	—	
6	See Torque Rod Section			Two Piece Torque Rod Assembly	2	X	X	X	X	X	X	X	X	X	X	X	2-36	
7	See Hanger Section			Forward Spring Hanger Double Lock Pin	2	X	X	X	X	X	X	X	X	X	X	X	1-202	
8	R303761	43146-000L		Pin 1 3/8" Dia. Double Lock	2	X	X	X	X	X	X	X	X	X	X	X	1-200	
9	R301307	33117-000		Lube Fitting	2	X	X	X	X	X	X	X	X	X	X	X	1-200	
10	S.O.S.	24531-009		1/2"-13 UNC Bolt	10	X	X	X	X	X	X	X	X	X	X	X	—	
		22962-011		1/2" Washer		X	X	X	X	X	X	X	X	X	X	—		
		49846-000		1/2" - 13 UNC Locknut		X	X	X	X	X	X	X	X	X	X	—		
11	See Hanger Section			Rear Spring Hanger	2	X	X	X	X	X	X	X	X	X	X	X	1-202	
—	R309428	29828-023		Rebound Bolt & Spacer Assembly	2	X	X	X	X	X	X	X	X	X	X	X	1-201	
12a	S.O.S.	22962-011		1/2" Hardened Washer	4	X	X	X	X	X	X	X	X	X	X	X	—	
12b	S.O.S.	49846-000		1/2" - 13 UNS Locknut	2	X	X	X	X	X	X	X	X	X	X	X	—	
12c	R301821	00194-000		Spacer	2	X	X	X	X	X	X	X	X	X	X	X	1-200	
12d	R301820	24531-005		1/2" - 13 UNC Bolt	2	X	X	X	X	X	X	X	X	X	X	X	2-33	
13	See Hanger Section			Extended Leaf Spring Hanger	2	X	X	X	X	X	X	X	X	X	X	X	1-202	
14	See Top Pad Bolts			Top Pad Bolt, Length Varies By Spring Size	8	X	X	X	X	X	X	X	X	X	X	X	—	
15	R302573	22962-006		Washer 1"	16	X	X	X	X	X	X	X	X	X	X	X	2-35	
16a	S.O.S.	06813-000		3/4"-10 UNC Square Head Set Screw	4	X	X	X	X	X	X	X	X	X	X	X	—	
16b	S.O.S.	17339-000		Set Screw Lockwasher	4	X	X	X	X	X	X	X	X	X	X	X	—	
16c	S.O.S.	17342-000		3/4"-10 UNC Set Screw Locknut	4	X	X	X	X	X	X	X	X	X	X	X	—	
17	R301869	35064-000	47880	Top Pad	2	X	X	X	X	X	X	X	X	X	X	X	1-198	
18	R301877	30057-008L		Spring Eye Bushing, 1 3/8" I.D.	2	X	X	X	X	X	X	X	X	X	X	X	1-200	
19	S.O.S.	66662-001 (New) 05069-000 (Old)		Center Bolt, 5/8" Dia. (Cut to length)	2	X	X	X	X	X	X	X	X	X	X	X	—	
20	R301849	31017-023	46529	Saddle Assembly, 6 3/16" Height	2	X						X					1-198	
	R301850	31017-025L	46138	Saddle Assembly, 7 3/16" Height		X						X					1-198	
	R301853	31017-022L	57167	Saddle Assembly, 6" Height		X	X	X	X			X	X	X			1-198	
	R3011058	31017-109L	57143	Saddle Assembly, 7 3/16" Height		X	X	X				X	X	X			1-198	
	R301854	31017-096L	57457	Saddle Assembly, 6" Height						X	X					X	X	1-198
	R307530	31017-110L	57155	Saddle Assembly, 7 3/16" Height						X	X					X	X	1-198
21	R301828	08017-000		Lock Nut 1"-14 UNS	8	X	X	X	X	X	X	X	X	X	X	X	2-34	

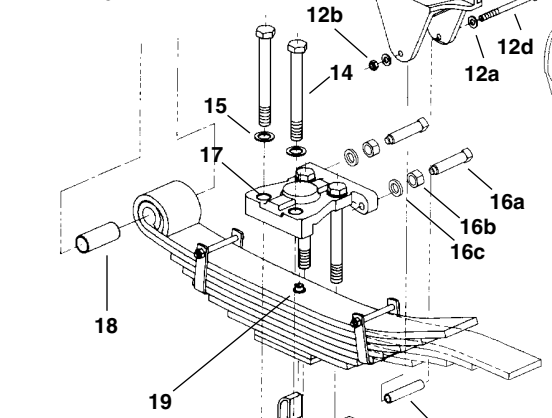
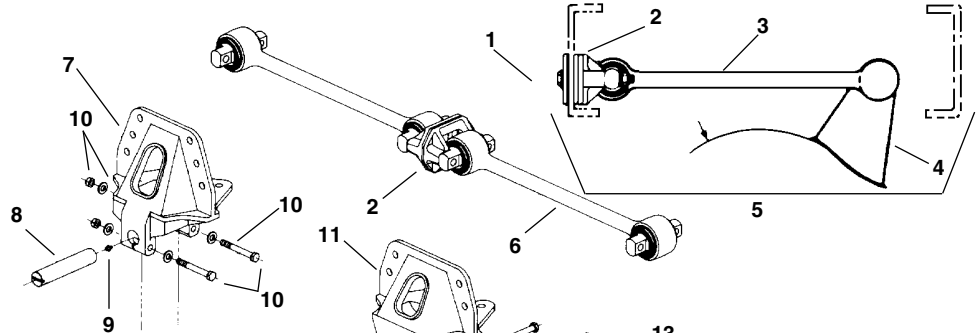
S.O.S. = Available through Meritor's S.O.S. Department

Continued On Next Page

HENDRICKSON RT/RTE 340/343/400/403/460/463 SUSPENSION

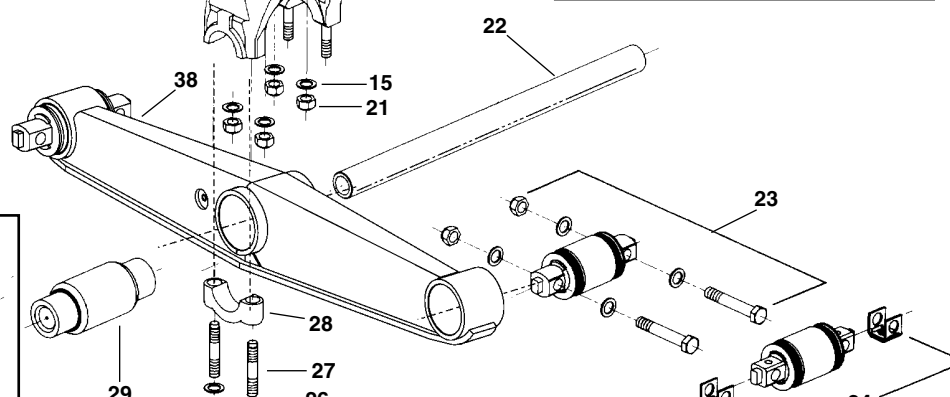
Truck/Tractor

TRANSVERSE TORQUE ARM

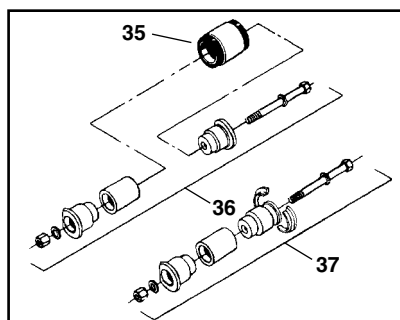
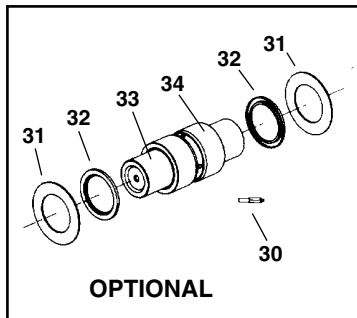


LEAF SPRING REFERENCES

SRI No.	
50-171	12/Pad
50-141	12 Leaf
50-135	12 Leaf
50-241	12 Leaf
50-307	13 Leaf
50-169	13/Pad
50-267	10 Leaf
50-185	10 Leaf
50-239	12 Leaf
50-183	13/Pad



Old Style
Bushings and Adapter Connection



HENDRICKSON RT/RTE 340/343/400/403/460/463 SUSPENSION PARTS

Truck/Tractor

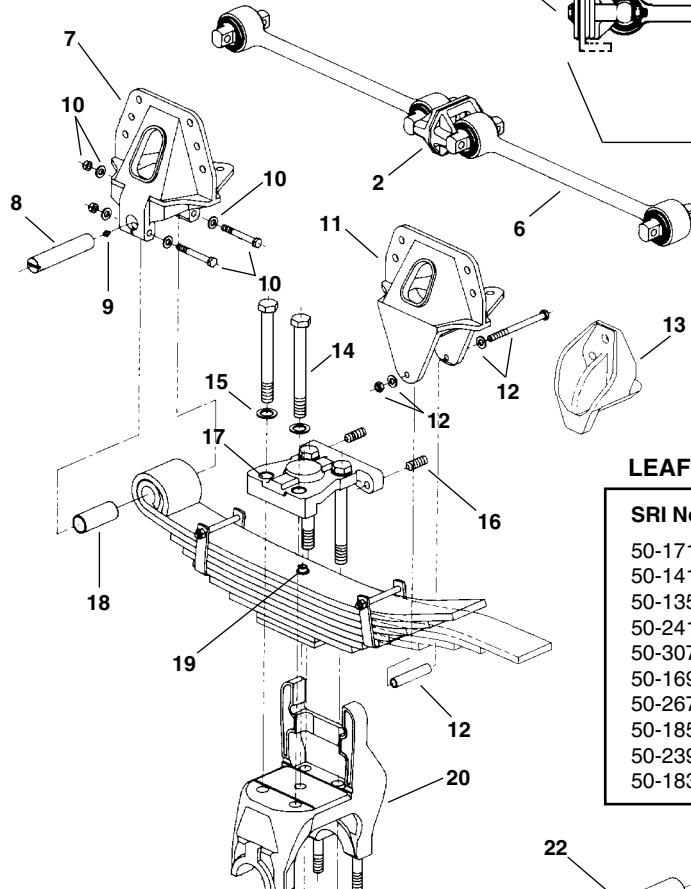
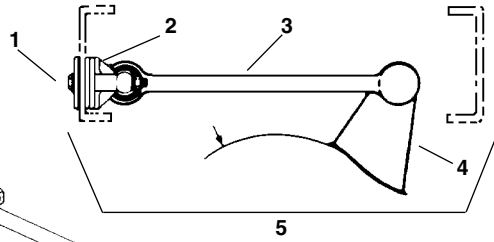
KEY NO.	MERITOR NO.	REPLACES HENDRICKSON NO.	CASTING NO.	DESCRIPTION	QTY. PER TANDEM	RT	RT	RT	RT	RT	RT	RTE	RTE	RTE	RTE	RTE	PAGE NO.	
						340	343	400	403	460	463	340	343	400	403	460		463
22	R301842	44643-009L		Cross Tube, 2 7/16" Dia. x 44 7/8" Long	1		X	X	X	X	X		X	X	X	X	1-188	
	R301840	44642-008L		Cross Tube, 1 15/16" Dia. x 44 7/8" Long		X							X					1-188
23	R309325	34013-087L		Bar Pin Bushing Kit, Non-Shim Type	4	X	X	X	X	X	X	X	X	X	X	X	1-192	
24	R309326	34013-088L		Bar Pin Bushing Kit, Shim Type	4	X	X	X	X	X	X	X	X	X	X	X	1-192	
25	R301835	04842-000		Nut, Saddle Cap	8	X	X	X	X	X	X	X	X	X	X	X	2-34	
26	R301834	22962-002		Washer	8	X	X	X	X	X	X	X	X	X	X	X	2-35	
27	R301830	06696-000		Stud	8		X	X	X	X	X		X	X	X	X	1-199	
	R301829	07002-000		Stud		X						X					1-199	
28	R301833A	58795-000 (New) 48545-000 (Old)		Saddle Cap	4		X	X	X	X	X		X	X	X	X	1-199	
	R3010311	06662-000		Saddle Cap		X						X					1-210	
29	R301338	06664-000L		Rubber Center Bushing	2	X						X					1-189	
	R301594	22279-000L		Rubber Center Bushing w/ Loose End Plug		X						X					1-189	
	R306979	49400-000L		Rubber Center Bushing			X	X	X				X	X	X		1-189	
	R306980	49600-000L		Rubber Center Bushing w/ Loose End Plug			X	X	X				X	X	X		1-189	
	R309359	29483-005L		Rubber Center, Optional, Requires Transverse Rods							X						X	1-189
	S.O.S.	34013-097L		Rubber Center Bushing w/ Loose End Plug, Optional							X						X	—
—	R301546	30437-000L		Kit, Bronze Center Bushings includes Key Nos. 30, 31, 32, 33, 34	1	X	X	X	X	X	X	X	X	X	X	X	1-190	
30	S.O.S.	30087-000		Lube Fitting w/ Forged Beam	2	X	X	X	X	X	X	X	X	X	X	X	—	
	S.O.S.	58758-001		Lube Fitting w/ Fab Beam		X	X	X	X	X	X	X	X	X	X	X	—	
31	R302021	32365-000		Thrust Washer	8		X	X	X	X	X		X	X	X	X	1-191	
	S.O.S.	32364-000				X						X					—	
32	R301553	30334-000		Beam Center Seal	4		X	X	X	X	X		X	X	X	X	1-191	
	S.O.S.	30333-000				X						X					—	
33	R301551	14685-000		Beam Center Sleeve	2		X	X	X	X	X		X	X	X	X	1-190	
	S.O.S.	14684-000				X						X					—	
34	R301552	30240-002		Bronze Center Bushing	2		X	X	X	X	X		X	X	X	X	1-190	
	S.O.S.	30240-001				X						X					—	
35	R301341A	45900-000L		End Beam Bushing	4	X	X	X	X	X	X	X	X	X	X	X	1-192	
36	R305309	34013-049L		Rubber End Bushing and Adapter Service Kit	4		X	X	X				X	X	X		1-191	
	R309576	34013-073L									X						X	1-191
37	R302374	45000-007L		Adapter w/o Bushing Service Kit	4	X	X	X	X			X	X	X	X		1-193	
	R309420	21140-034L									X						X	1-193
38	S.O.S.	Various		Walking Beam Adapter	2	X	X	X	X	X	X	X	X	X	X	X	—	

S.O.S. = Available through Meritor's S.O.S. Department

HENDRICKSON RT2 400, RT2 460, RTE 400, RTE 460 SUSPENSION

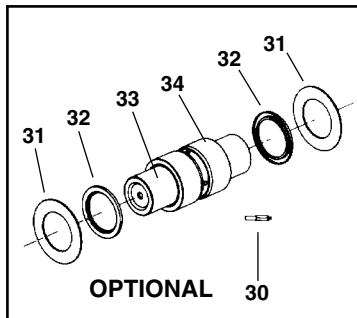
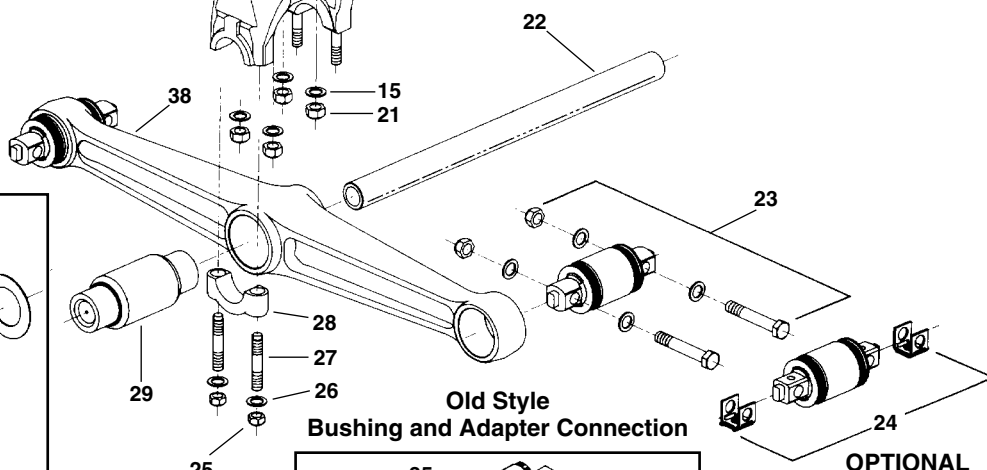
Truck/Tractor

TRANSVERSE TORQUE ARM

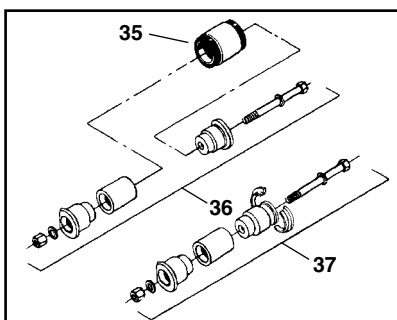


LEAF SPRING REFERENCES

SRI No.	
50-171	12/Pad
50-141	12 Leaf
50-135	12 Leaf
50-241	12 Leaf
50-307	13 Leaf
50-169	13/Pad
50-267	10 Leaf
50-185	10 Leaf
50-239	12 Leaf
50-183	13/Pad



Old Style Bushing and Adapter Connection



OPTIONAL

1

HENDRICKSON RT2 400, RT2 460, RTE 400, RTE 460 SUSPENSION PARTS

Truck/Tractor

KEY NO.	MERITOR NO.	REPLACES HENDRICKSON NO.	CASTING NO.	DESCRIPTION	QUANTITY PER TANDEM	RT2 400	RT2 460	RTE 400	RTE 460	PAGE NO.
1	S.O.S.	45045-003		Backup Plate	2	X	X	X	X	—
2	R302634	22186-000		Torque Rod Frame Bracket	2	X	X	X	X	1-214
3*	See Torque Rod Section			Transverse Torque Rod	2	X	X	X	X	2-36
4	S.O.S.	Various		Axle Bracket	2	X	X	X	X	—
5*	S.O.S.	Various		Transverse Torque Rod Assembly Includes Key Nos. 1, 2, 3, 4	2	X	X	X	X	—
6	See Torque Rod Section			Torque Rod Assembly	2	X	X	X	X	2-36
7	See Hanger Section			#1 Front Spring Hanger, Double Lock Bolt	2	X	X	X	X	1-202
8	R303761	43146-000L		Lock Pin, Double Groove	2	X	X	X	X	1-200
9	R301307	33117-000		Lube Fitting	2	X	X	X	X	1-200
10	R309427	29828-035		Lock Bolt Kit	2	X	X	X	X	1-201
11	See Hanger Section			#2 Rear Spring Hanger	2	X	X	X	X	1-202
12	R309428	29828-023		Rebound Bolt & Spacer Assembly	2	X	X	X	X	1-201
13	See Hanger Section			#3 Spring Hanger, Extended Leaf Spring	2	X	X	X	X	1-202
14	See Top Pad Bolts			Top Pad Bolt, Length Varies By Spring Size	8	X	X	X	X	1-195
15	R302573	22962-006		Washer	16	X	X	X	X	2-35
16	R309429	35370-002		Set Screw	4	X	X	X	X	1-195
17	R301869	35064-000	47880	Top Pad	2	X	X	X	X	1-198
18	R301877	30057-008L		Spring Eye Bushing	2	X	X	X	X	1-200
19	S.O.S.	05069-000		Spring Center Bolt	2	X	X	X	X	—
20	R301853	31017-022	42933	Saddle Assembly, 6" Height	2	X				1-198
	R301854	31017-096	45605		2	X	X	X	X	1-198
	R3011058	31017-109	57143	Saddle Assembly, 7 3/16" Height	2	X	X	X	X	1-198
	R307530	31017-110	57155		2	X	X	X	X	1-198
21	R301828	08017-000		Nut, Top Pad Bolt	8	X	X	X	X	2-34
22	R301842	44643-009L		Cross Tube, 2 7/16" Dia. x 44 7/8" Long	1	X	X	X	X	1-188
23	R309325	34013-087		Bar Pin Bushing Kit, Non-Shim Type	4	X	X	X	X	1-192
24	R309326	34013-088L		Bar Pin Bushing Kit, Shim Type	4	X	X	X	X	1-192
25	R301835	04842-000		Nut, Saddle Cap Stud	8	X	X	X	X	2-34
26	R301834	22962-002		Washer	8	X	X	X	X	2-35
27	R301830	06696-000		Stud	8	X	X	X	X	1-199
28	R301833A	48545-000 (Old) 58795-000 (New)		Saddle Cap	4	X	X	X	X	1-199
29*	R306979	49400-000		Center Bushing, Rubber	2	X		X		1-189
	R306980**	49600-000		Center Bushing with Loose End Plug	2	X		X		1-189
	R309359	29483-005		Center Bushing, Rubber	2		X		X	1-189
—	R301546	30437-000L		Kit, Bronze Center Bushings ncludes Key Nos. 30, 31, 32, 33, 34	1	X	X	X	X	1-190
30	S.O.S.	30087-000		Lube Fitting	2	X	X	X	X	—
31	R302021	32365-000		Thrust Washer	As Required	X	X	X	X	1-191
32	R301553	30334-000		Seal	4	X	X	X	X	1-191
	R303913	45229			4	X	X	X	X	1-191
33	R301551	14685-000		Sleeve	2	X	X	X	X	1-190
34	R301552	30240-002		Bronze Center Bushing	2	X	X	X	X	1-190
—	R305309	34013-049L		End Beam Bushing Kit, Old Style, 400 Only, Includes Key Nos. 35, 36	4	X		X		1-191
35	R301341A	45900-000L		End Beam Bushing, Old Style	4	X	X	X	X	1-192
36	R302374	45000-007L		End Beam Adapter, Old Style	4	X		X		1-193
	R309420	21140-034L					X		X	
37	R302375	45000-008		End Beam Adapter, Split Flange	4	X	X			1-193
	S.O.S.	21140-040					X		X	
38	S.O.S.	Various		Walking Beam Assembly	2	X	X	X	X	—

NOTES: * Transverse Torque Rods are required to maintain 46,000 lb. rating when rubber center bushings are used.

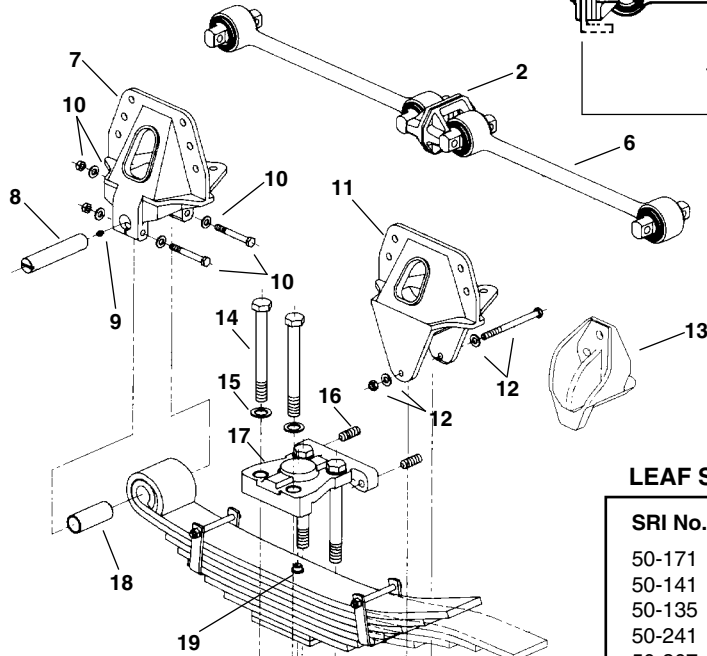
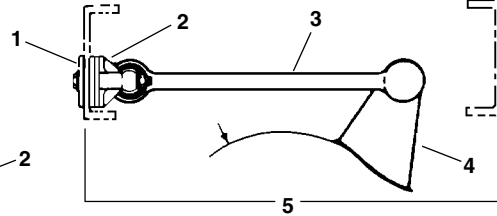
** Center Bushing R306980 to be used with OTC Installation Tools.

S.O.S. = Available through Meritor's S.O.S. Department.

HENDRICKSON RT2 480, RT2 520, RTE2 480, RTE2 520 SUSPENSION

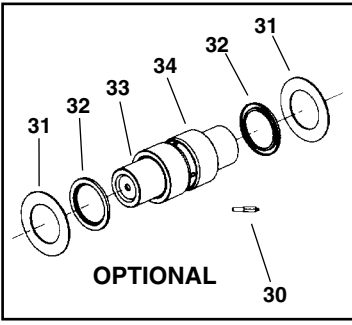
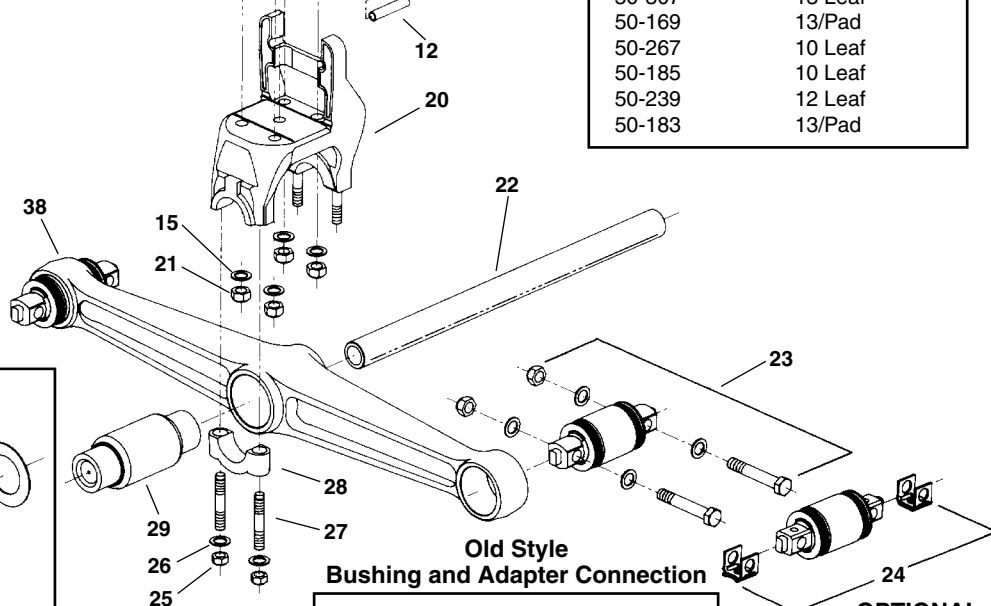
Truck/Tractor

TRANSVERSE TORQUE ARM

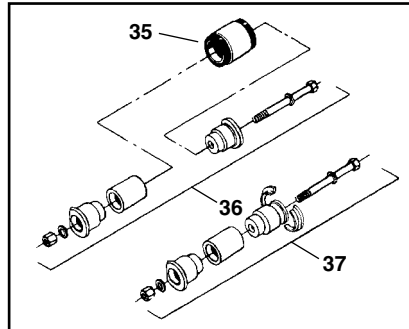


LEAF SPRING REFERENCES

SRI No.	
50-171	12/Pad
50-141	12 Leaf
50-135	12 Leaf
50-241	12 Leaf
50-307	13 Leaf
50-169	13/Pad
50-267	10 Leaf
50-185	10 Leaf
50-239	12 Leaf
50-183	13/Pad



Old Style Bushing and Adapter Connection



OPTIONAL

1

HENDRICKSON RT2 480, RT2 520, RTE2 480, RTE2 520 SUSPENSION PARTS

Truck/Tractor

KEY NO.	MERITOR NO.	REPLACES HENDRICKSON NO.	CASTING NO.	DESCRIPTION	QTY. PER TANDEM	RT2 480	RT2 520	RTE2 480	RTE2 520	PAGE NO.
1	S.O.S.	45045-003		Backup Plate	2	X	X	X	X	—
2	R302634	22186-000		Torque Rod Frame Bracket	2	X	X	X	X	1-214
3*	See Torque Rod Section			Transverse Torque Rod	2	X	X	X	X	2-36
4	S.O.S.	Various		Axle Bracket	2	X	X	X	X	—
5	S.O.S.	Various		Transverse Torque Rod Assembly Includes Key Nos. 1, 2, 3, 4	2	X	X	X	X	—
6*	See Torque Rod Section			Torque Rod Assembly	2	X	X	X	X	2-36
7	See Hanger Section			#1 Front Spring Hanger Double Lock Bolt	2	X	X	X	X	1-202
8	R303761	43146-000L		Lock Pin, Double Groove	2	X	X	X	X	1-200
9	R301307	33117-000		Lube Fitting	2	X	X	X	X	1-200
10	R309427	29828-035		Lock Bolt Kit, Key #1 Hanger	2	X	X	X	X	1-201
11	See Hanger Section			#2 Rear Spring Hanger	2	X	X	X	X	1-202
12	R309428	29828-023		Rebound Bolt & Spacer Assembly	2	X	X	X	X	1-201
13	See Hanger Section			#3 Spring Hanger, Extended Leaf Spring	2	X	X	X	X	1-202
14	See Top Pad Bolts			Top Pad Bolt, Length Varies By Spring Size	8	X	X	X	X	1-195
15	R302573	22962-006		Washer	16	X	X	X	X	2-35
16	R309429	35370-002		Set Screw	4	X	X	X	X	1-195
17	R301869	35064-000	47880	Top Pad	2	X	X	X	X	1-198
18	R301877	30057-008L		Bushing, 1 3/8" I.D.	2	X	X	X	X	1-200
19	S.O.S.	05069-000		Center Bolt, 5/8" Dia.	2	X	X	X	X	—
20	R307531	31017-053	32796	Saddle Assembly, 6" Height	2	X	X	X	X	1-198
	S.O.S.	31017-077	47476 or 47665	Saddle Assembly, 7 3/16" Height		X	X	X	X	—
	S.O.S.	31017-108	50965	Saddle Assembly, 11" Height		X	X	X	X	—
21	R301828	08017-000		Nut, Top Pad Bolt	8	X	X	X	X	2-34
22	R301842	44643-009L		Cross Tube, 2 7/16" Dia. x 44 7/8" Long	1	X	X	X	X	1-188
	R309426	07622-003		Cross Tube, 2 7/16" Dia. x 46" Long	1		X		X	1-188
23	R309325	34013-087		Bar Pin Bushing Kit, Non-Shim Type	4	X	X	X	X	1-192
24	R309326	34013-088L		Bar Pin Bushing Kit, Shim Type	4	X	X	X	X	1-192
25	R301835	04842-000		Nut, Saddle Cap Stud	8	X	X	X	X	2-34
26	R301834	22962-002		Washer	8	X	X	X	X	2-35
27	R301830	06696-000		Stud	8	X	X	X	X	1-199
28	R301833A	48545-000 (Old) 58795-000 (New)		Saddle Cap	4	X	X	X	X	1-199
29*	R309359	29843-005		Center Bushing, Rubber	2	X	X	X	X	1-189
—	R301546	30437-000L		Kit, Bronze Center Bushings Includes Key Nos. 30, 31, 32, 33, 34	1	X	X	X	X	1-190
30	S.O.S.	30087-000		Lube Fitting	2	X	X	X	X	—
31	R302021	32365-000		Thrust Washer	As Required	X	X	X	X	1-191
32	R301553	30334-000		Seal	4	X	X	X	X	1-191
	R303913	45229		Seal	4	X	X	X	X	1-191
33	R301551	14685-000		Sleeve	2	X	X	X	X	1-190
34	R301552	30240-002		Bronze Center Bushing	2	X	X	X	X	1-190
35	R302771	29878-001L		End Beam Bushing, Old Style	4	X	X	X	X	1-192
	R309419	45407-000				X	X	X	X	1-192
36	R309420	21140-034L		End Beam Adapter, Old Style	4	X	X	X	X	1-193
	R309421	21140-033				X	X	X	X	1-193
37	S.O.S.	21140-028		End Beam Adapter, Split Flange	4	X		X		—
	S.O.S.	21140-023					X		X	
38	S.O.S.	Various		Walking Beam Adapter	2	X	X	X	X	—

S.O.S. = Available through Meritor's S.O.S. Department

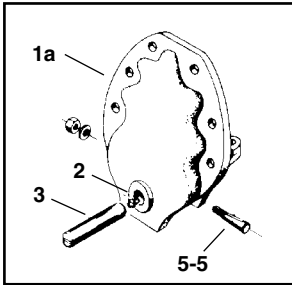
NOTES: * Transverse Torque Rods are required when the walking beams have rubber center bushings.

HENDRICKSON RT 650 SUSPENSION

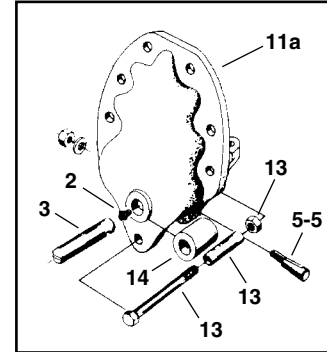
Truck/Tractor

1

Single Lock Design - Old Style



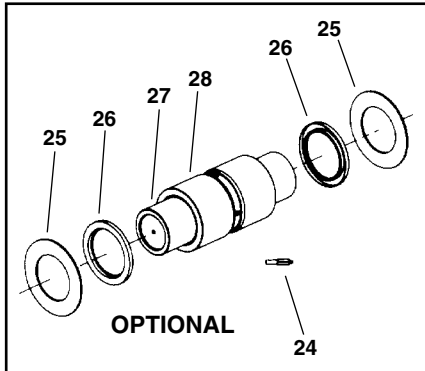
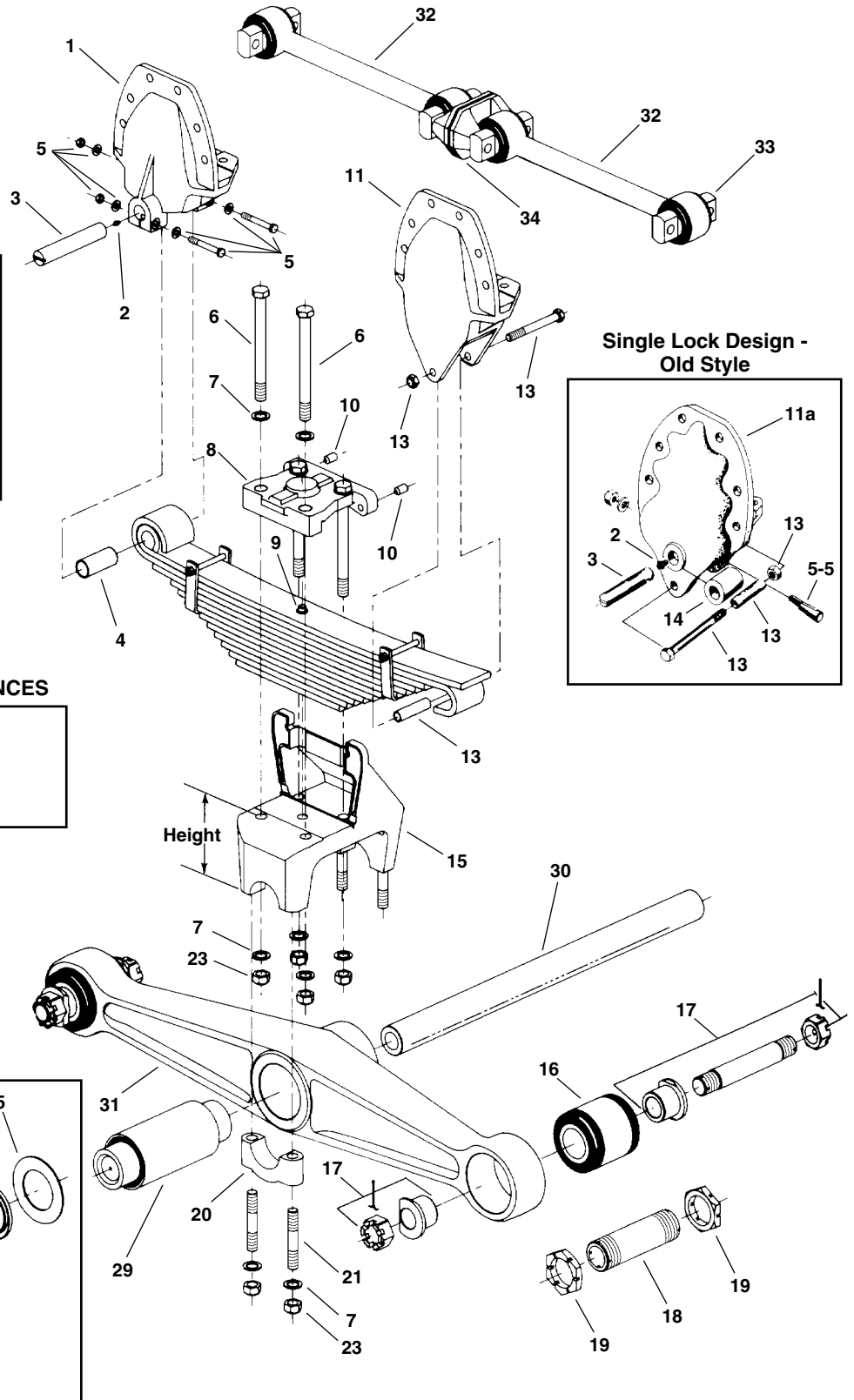
Single Lock Design - Old Style



LEAF SPRING REFERENCES

SRI No.

50-285	12 Leaf
50-215	12/Pad
50-123	12 Leaf



HENDRICKSON RT 650 SUSPENSION PARTS

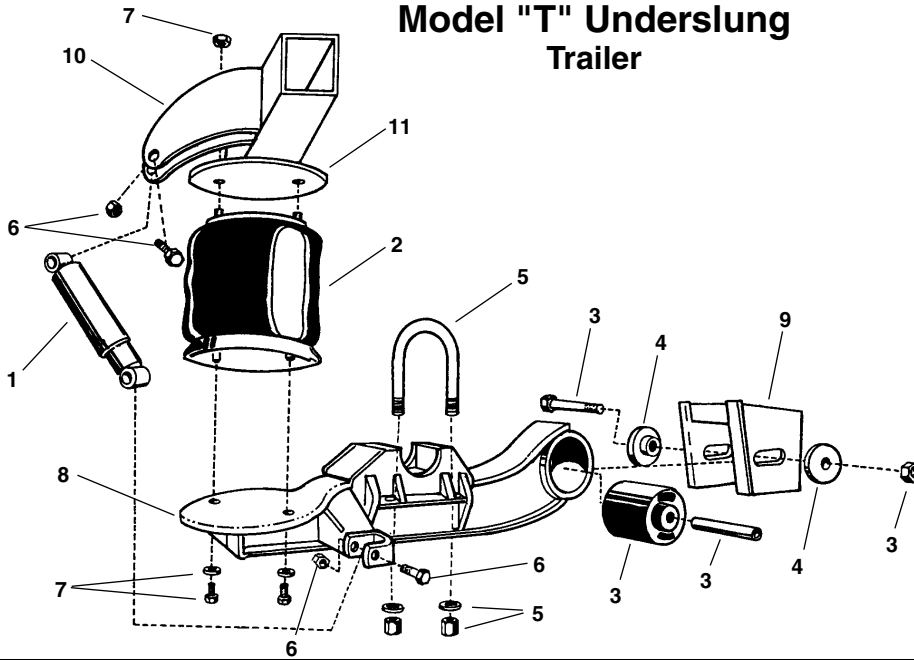
Truck/Tractor

KEY NO.	MERITOR NO.	REPLACES HENDRICKSON NO.	CASTING NO.	DESCRIPTION	QUANTITY PER TANDEM	PAGE NO.
1	S.O.S.	46549-003	46548	#1 Spring Hanger, Double Lock Pin	2	—
	S.O.S.	45790-001	45789	#1 Spring Hanger, Double Lock Pin	2	
1a	S.O.S.	09474-000	9474	#1 Spring Hanger	2	—
	S.O.S.	11063-001	11063-1	#1 Spring Hanger, Flat Top	2	
	N/A	33798-000	35434	#1 Spring Hanger	2	
	S.O.S.	46094-001	46093-1	#1 Spring Hanger, Left Hand	1	
	S.O.S.	46094-002	46093-2	#1 Spring Hanger, Right Hand	1	
2	R301307	33117-000		Lube Fitting	As Required	1-200
3	R302556	00005-000		Drawkey Lock Pin, 1 1/2" Dia.	4	1-200
	R3012001	45797-000		Double Lock Pin, 1 1/2" Dia.	2	—
4	R302557	22285-000		Spring Eye Bushing, Bronze	2	1-200
	S.O.S.	50592-000		Steel Bushing, 1 1/2" I.D.		
5	S.O.S.	46825-001		Lock Bolt Assembly	2	—
5-5	R302558	00081-001		Drawkey Assembly	4	1-200
6	See Top Pad Bolts			Top Pad Bolt	8	1-195
7	R302573	22962-006		Washer	32	2-35
8	S.O.S.	19199-000 (New) 45112-000 (Old)	35431 or 48491	Top Pad, 8 9/16" Wide	2	—
9	S.O.S.	66662-001 (New) 05069-000 (Old)		Center Bolt Cut to Length	2	—
10	S.O.S.	19201-002		Internal Hex Nut Set Screw	4	—
11	S.O.S.	45792-001	45791	#2 Spring Hanger	2	—
	S.O.S.	46551-003	46550	#2 Spring Hanger	2	
11a	S.O.S.	09474-000	9474	#2 Spring Hanger	2	—
	S.O.S.	11063-001	11063-001	#2 Spring Hanger, Flat Top	2	
	S.O.S.	33797-000	33796	#2 Spring Hanger	2	
	S.O.S.	46094-001	46093-1	#2 Spring Hanger, Left Hand	1	
	S.O.S.	46094-002	46093-2	#2 Spring Hanger, Right Hand	1	
13	S.O.S.	29828-033		Rebound Bolt & Spacer Assembly	2	—
14	S.O.S.	00003-000		Pin Roller	2	—
15	S.O.S.	31017-004	15784, 46895, or 48497	Saddle Assembly, 7 1/8" Height	2	—
	S.O.S.	31017-069	15784 or 46673-002	Saddle Assembly, 11 1/8" Height		
	S.O.S.	31017-070	15784 or 46673-002	Saddle Assembly, 10 1/8" Height		
	S.O.S.	31017-071	15784 or 46673-001	Saddle Assembly, 9 3/8" Height		
16	R302554	10363-000L		End Bushing	4	1-192
17	R302555	21140-007		Beam End Adapter Assembly for 6" Bushing	4	1-193
	S.O.S.	21140-004		Beam end Adpter Assembly for 7" Bushing		
18	R302566	10372		Optional Beam Hanger Tube	2	1-193
19	R302567	10371		Beam Hanger Tube Nut	4	1-193
20	S.O.S.	15785-000		Cap	4	—
21	S.O.S.	10948-000		1"-14 Thd. UNS Saddle Cap Stud	8	—
—	S.O.S.	45374-000		Bronze Center Bushings Kit Includes Key Nos. 24, 25, 26, 27, 28	1	—
23	R301828	08017-000		1"-14 Thd. UNS Locknut	8	2-34
24	S.O.S.	30087-000		Lube Fitting	2	—
25	S.O.S.	45261-000		Thrust Washer	4	—
26	S.O.S.	31577-000		Seal	4	—
27	S.O.S.	25102-000		Sleeve	2	—
28	S.O.S.	30240-005		Center Bushing, Bronze	2	—
29	R302553	10366-000L		Center Bushing, Rubber	2	1-189
30	S.O.S.	Various		Cross Tube	1	—
31	S.O.S.	Various		Walking Beam	2	—
32	See Torque Rod Section			Torque Rod	2	2-36
—	R303913	45229		Seal	4	1-191
—	R301553	30334-000		Seal	4	1-191
33	S.O.S.	48304-000		Torque Rod Bushing	4	—
34	S.O.S.	46015-000		Torque Rod Frame Bracket	2	—

S.O.S. = Available through Meritor's S.O.S. Department
N/A = Parts No Longer Available

HENDRICKSON "T" SUSPENSION

Model "T" Underslung Trailer

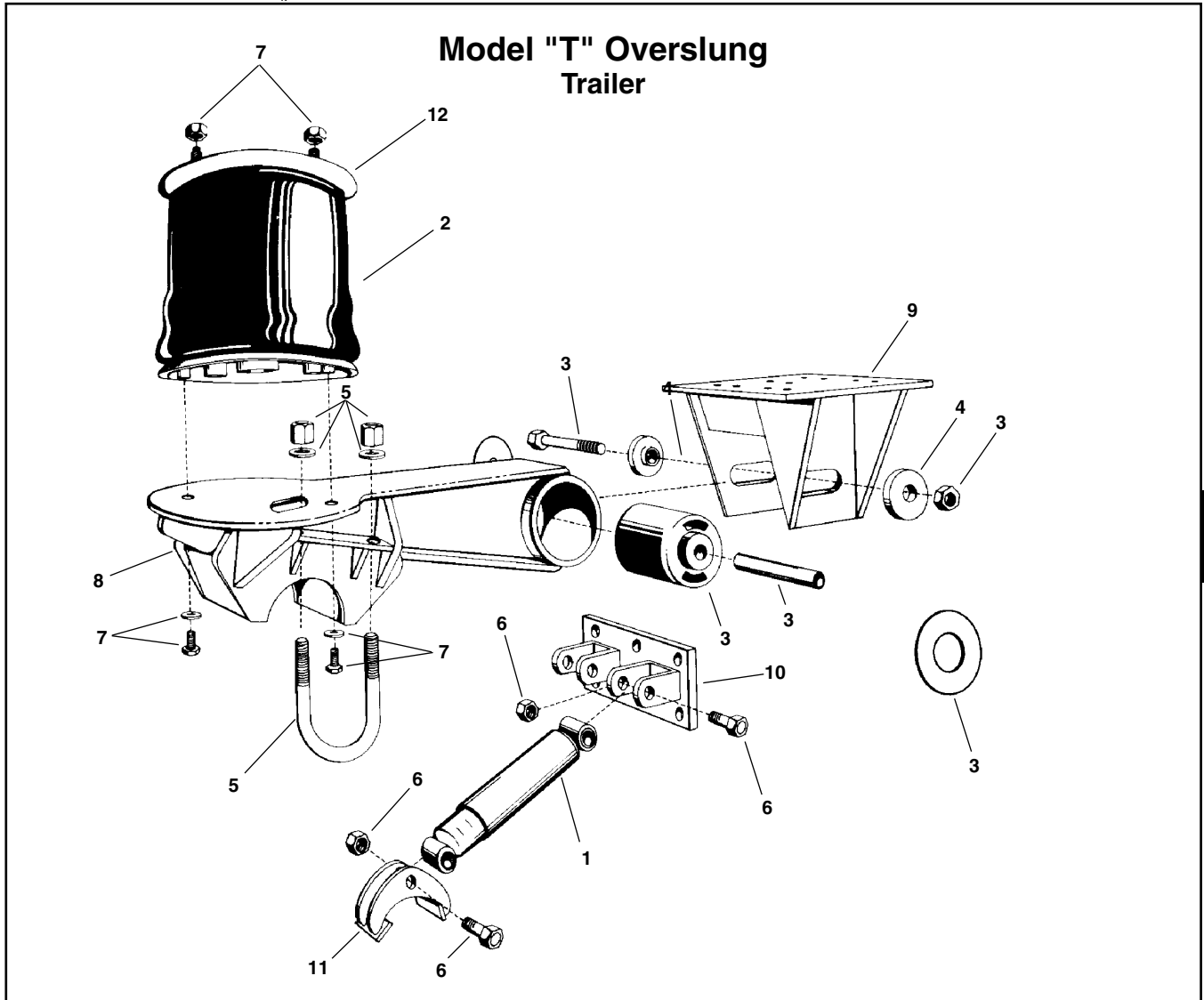


KEY NO.	MERITOR NO.	REPLACES HENDRICKSON NO.	DESCRIPTION	QTY. PER AXLE	T-6				T-9					T-23-US -20	PAGE NO.		
					062	071	370	422	084	106	278	313	325			390	
1	85000	S-1667	Fleetline Shock	2	X		X	X								3-14	
	89436	S-1667	GasSLX Shock														
	85029	S-2212	Fleetline Shock				X										
	85010	S-2213	Fleetline Shock												X	X	3-13
	85013	S-2240	Fleetline Shock						X								
	89414	S-2240	GasSLX Shock														
	85005	S-4084	Fleetline Shock							X	X	X					
	89430	S-4084	GasSLX Shock														
	83221	S-2218	Shock Absorber										X				
2	FS9105	S-1245	Air Spring	2		X										—	
	FS9039	S-2064			X												—
	S.O.S.	S-11650				X	X										—
	FS9082	S-2066							X	X	X						—
	FS9228	S-3411													X		—
	FS9122	S-3830							X								—
	FS9092	S-12353											X	X			—
3	R306121	A-6914	Pivot Bushing Kit	2	X	X	X	X	X	X		X	X	X	X	1-225	
	S.O.S.	A-13136										X					
4	S.O.S.	B-7349	Alignment Collar	4								X				—	
	R303771	S-2770			X	X	X	X	X	X		X	X	X	X	X	1-226
5	R30U8165-10	A-2237 S-3650	U-Bolt Assembly, Rd. Bend, 7/8"-14 Thd. x 5" Wide x 10" Long	4	X	X			X	X	X	X				2-26	
	R30U8165-12	S-4709	U-Bolt Assembly, Rd. Bend, 7/8"-14 Thd. x 5" Wide x 12" Long	4			X	X					X	X	X	2-26	
6	S.O.S.	S-2157 / 2	Shock Bolt Kit	1	X	X	X	X	X	X	X	X	X	X	X	—	
7	S.O.S.	A-1981	Air Spring Bolt Kit	1		X			X	X	X	X	X	X	X	—	
	S.O.S.	A-2348	Air Spring Bolt Kit	1	X		X	X								—	
8	S.O.S.	Various	Beam	2	X	X	X	X	X	X	X	X	X	X	X	—	
9	S.O.S.	Various	Frame Bracket	2	X	X	X	X	X	X	X	X	X	X	X	—	
10	S.O.S.	Various	Upper Shock Brkt.	2	X	X	X	X	X	X	X	X	X	X	X	—	
11	S.O.S.	Various	Upper Air Spring Brkt.	2	X	X	X	X	X	X	X	X	X	X	X	—	

S.O.S. = Available through Meritor's S.O.S. Department

HENDRICKSON "T" SUSPENSION

Model "T" Overslung Trailer

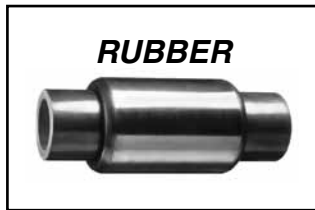


KEY NO.	MERITOR NO.	REPLACES HENDRICKSON NO.	DESCRIPTION	QTY. PER AXLE	T-15						T-17			PAGE NO.
					140	155	172	244	324	376	141	174	284	
1	85030	S-2218	Fleetline Shock Absorber	2	X	X	X	X	—	X	X	X	X	3-13
	89440		GasSLX Shock Absorber	2	X	X	X	X	—	X	X	X	X	
2	FS8050	S-4771	Air Spring	2	X	X	X	X	X	X	X	X	X	—
3	R306121	A-6914	Pivot Bushing Kit	2	X	X	X	X	X	X	X	X	X	1-225
4	R303771	S-2770	Alignment Collar	4	X	X	X	X	X	X	X	X	X	1-226
5	R30U8165-10	A-2237 S-3650	U-Bolt Assembly Rd. Bend, 7/8"-14 Thd. 5" Wide x 10" Long	4	X	X	X	X	X	X	X	X	X	2-26
6	S.O.S.	S-2157	Shock Bolt Kit	1	X	X	X	X	X	X	X	X	X	—
7	S.O.S.	S-4903	Air Spring Bolt Kit	1	X	X	X	X	X	X	X	X	X	—
8	S.O.S.	Various	Beam	2	X	X	X	X	X	X	X	X	X	—
9	S.O.S.	Various	Frame Bracket	2	X	X	X	X	X	X	X	X	X	—
10	S.O.S.	Various	Upper Shock Bracket	2	X	X	X	X	X	X	X	X	X	—
11	S.O.S.	Various	Lower Shock Bracket	2	X	X	X	X	X	X	X	X	X	—
12	S.O.S.	Various	Upper Air Spring Bracket	2	X	X	X	X	X	X	X	X	X	—

S.O.S. = Available through Meritor's S.O.S. Department

HENDRICKSON WALKING BEAM CENTER BUSHING RUBBER VS. BRONZE

When replacing a Hendrickson Walking Beam Center Bushing... selecting the correct material type — *Rubber or Bronze* — is **critical** to ensure proper performance of the suspension assembly.



In some applications... **only** a *Rubber* bushing should be used!

In some applications... **only** a *Bronze* bushing should be used!

In some applications... you can **choose** between a Rubber or Bronze bushing!

Choosing between a Rubber or Bronze bushing depends on a variety of factors, including:
Operating conditions • Weight capacity • Geographic location • Use of Transverse Rods

Use the Selection Guide printed on the following page to assist in selecting the Meritor Walking Beam Center Bushing that is recommended by Hendrickson for your specific Hendrickson application.

Meritor Bushing Descriptions

R301338 Rubber Bushing is the standard 34,000 lb. rated bushing offered by the truck manufacturer. It requires no maintenance and provides satisfactory service life.

R301545 Bronze Bushing provides extended service life in tight cornering & Heavy-Duty 34,000 lb. rated applications. Proper preventive maintenance is required. (*Note: Transverse rods must NOT be used with this bushing.*)

R306979 Rubber Bushing is high confinement, providing a higher resistance to axle walkout. It is the standard rubber bushing in OEM 40,000-46,000 lb. rated applications when used in conjunction with transverse rods. It provides excellent service life.

R301339 Rubber Bushing is 38,000 lb. rated, requires no maintenance and provides satisfactory service life. This bushing is no longer installed by OEMs.

R301552 Bronze Bushing is the OEM standard 38,000-52,000 lb. rated bronze bushing, providing long service life in severe applications. Proper preventive maintenance is required. (*Note: Transverse rods must NOT be used with this bushing.*)

R309359 Rubber Bushing is fully bonded, providing the extra strength and durability necessary to routinely handle heavy loads and tight turns. It is specially designed for high capacity suspensions to 52,000 lbs. where low tire wear and low maintenance is desired. Transverse rods are mandatory with this bushing.

CAUTION POLYURETHANE CENTER BUSHINGS ARE NOT REPLACEMENTS FOR BRONZE BUSHINGS!

- OEM Sources do not offer polyurethane bushings. Aftermarket experience has shown the use of polyurethane bushings to replace bronze bushings, without the use of transverse torque rods, will lead to premature failure of bushings and may cause beam damage.
- Polyurethane center bushings currently sold in the aftermarket have the same applications as RUBBER center bushings.
- Polyurethane center bushings require the use of transverse torque rods in the same Heavy-Duty applications that require the use of transverse torque rods with rubber bushings.



MERITOR[®]

an ArvinMeritor brand

HENDRICKSON CENTER BUSHING SELECTION GUIDE

Selecting a rubber or bronze center bushing is dependent on a variety of factors including the operating conditions and geographic location of the vehicle. These factors can best be determined by the experience of the operator. This selection guide is to be used when operator experience is *not* available.

Transverse torque rods are mandatory in Heavy-Duty applications with rubber center bushings. The bushing applications requiring the mandatory use of transverse torque rods are shown in **BOLD-FACE** and UNDERLINED. Transverse rods must **NOT** be used with bronze bushings.

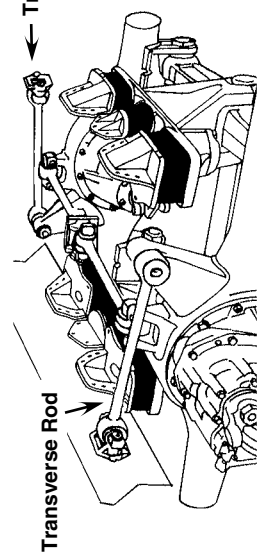
SUSPENSION & USAGE		APPLICATION							
Suspension Capacity (lbs.)	Usage	On-Highway	Dump	Logger	Transit Mixer (Below 11 cubic yards)	Transit Mixer (Over 11 cubic yards)	Refuse Packer (Below 20 cubic yards)	Refuse Packer (Over 20 cubic yards)	Off-Highway
34,000	Standard Duty	R301338 [Rubber]	R301338 [Rubber]	R301338 [Rubber]	N/A	N/A	R301338 [Rubber]	N/A	R301338 [Rubber]
	Heavy-Duty	R301338* [Rubber] Or R301545 [Bronze]	R301338* [Rubber]	R301338* [Rubber] Or [Rubber-High Confinement]	N/A	N/A	R301338* [Rubber] Or [Rubber-High Confinement]	N/A	R301338* [Rubber] Or [Rubber-High Confinement]
38,000-40,000	Standard Duty	R301339 [Rubber] Or R306979 [Rubber-High Confinement]	R306979 [Rubber-High Confinement]	R301339 [Rubber] Or R306979 [Rubber-High Confinement]	R301552	N/A	R301552	N/A	R301552
	Heavy-Duty	R301552 [Bronze]	R301552 [Bronze]	R301552 [Bronze]	R306979* [Rubber-High Confinement]	R301339* [Rubber] Or R306979* [Rubber-High Confinement]	R306979* [Rubber-High Confinement]	R306979* w/(RS)** R301552 w/(RT)** [Bronze]	R306979* [Rubber-High Confinement]
44,000-46,000	Standard Duty	R301552 [Bronze]	R301552 [Bronze]	N/A	R301552 [Bronze]	N/A	R301552 [Bronze]	N/A	R301552 [Bronze]
	Heavy-Duty	R306979* [Rubber-High Confinement] Or R309359* [Fully Bonded]	R306979* [Rubber-High Confinement] Or R309359* [Fully Bonded]	R306979* w/(RS)** [Rubber-High Confinement] [Bronze] Or R309359* w/(RS)** [Fully Bonded]	R306979* [Rubber-High Confinement] Or R309359* [Fully Bonded]	R306979* [Rubber-High Confinement] Or R309359* [Fully Bonded]	R306979* [Rubber-High Confinement] Or R309359* [Fully Bonded]	R306979* w/(RS)** [Rubber-High Confinement] R301552 w/(RT)** [Fully Bonded]	R309359* [Fully Bonded]
48,000-52,000	Standard Duty	R301552 [Bronze]	R301552 [Bronze]	R301552 [Bronze]	N/A	N/A	N/A	N/A	R301552 [Bronze]
	Heavy-Duty	R309359* [Fully Bonded]	R309359* [Fully Bonded]	R309359* [Fully Bonded]	N/A	R309359* [Fully Bonded]	N/A	R309359* w/(RS)** [Rubber-High Confinement] R301552 w/(RT)** [Bronze]	R309359* [Fully Bonded]

* = Transverse Rods are MANDATORY with this option.

(RS)** = Rubber load cushion suspension.

(RT)** = Multi-leaf spring suspension.

N/A = Not Applicable



GUIDELINES FOR TRANSVERSE ROD APPLICATIONS

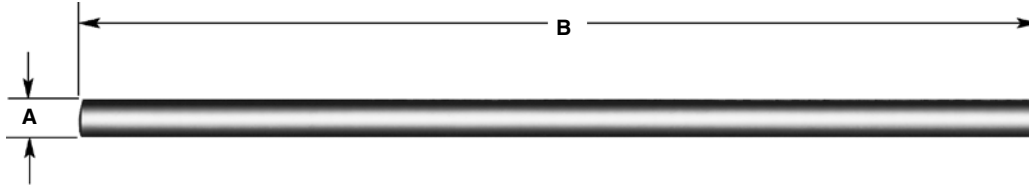
Transverse rods should be used on any Hendrickson walking beam suspension up to and including 52,000 lb. capacity where experience indicates that the use of transverse rods extends rubber bushing service life or provides enhanced stability on vehicles with high center of gravity. The dealership and/or customer must evaluate these factors prior to ordering the vehicle.

Transverse rods are recommended where it is necessary to restrict the lateral movement of axles to prevent interference of tires, brakes, axle housings, etc., with the frame, body or suspension components. This must be determined by the vehicle manufacturer prior to vehicle assembly.

IMPORTANT NOTICE: When transverse rods are used, the walking beam center bushing must be rubber. This may require changing from bronze center bushings, which are standard with some suspensions, to maintain the rating. A vehicle equipped with transverse rods may experience some reduction in suspension articulation or increased lateral stiffness and resistance to turning especially with radial ply tires.

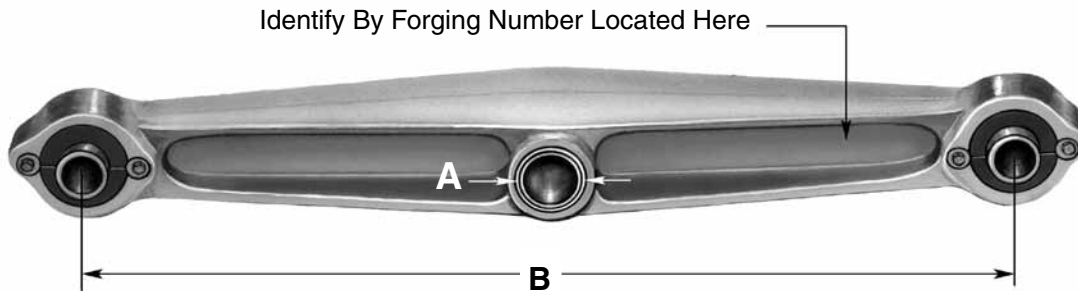
HENDRICKSON CROSS TUBES & EQUALIZER BEAM ASSEMBLIES

CROSS TUBES



MERITOR NO.	A	B	MODEL & SERIES	HENDRICKSON NO.	FORD NO.	GMC NO.	NAVISTAR NO.	VOLVO NO.
R301840	1 15/16"	44 7/8"	RT/RS/SR/	44642-8 42/400/V4	TWAA-5884A	2324962	124863R2	619619
R301842	2 7/16"	44 7/8"	RT/RS/SR 400	44643-009L	C8HS-5884A	2390348	124896R2	878841
R309426	2 7/16"	46"	RT2 500	07622-003	— —	— —		
R309412	2 7/16"	40 3/4"	HN 460	44643-011	— —	— —		



EQUALIZER BEAM ASSEMBLIES



480/520 SERIES - BRONZE CENTER - BALL AND SOCKET ENDS

MERITOR NO.	HENDRICKSON NO.	FORGED NO.	TYPE FORGING	A	B	CENTER BUSHING NO.	END BUSHING NO.
S.O.S.	30644-001	30934	Alloy Steel	4 3/4"	50"	R301552 Installed	Beams Include: R302032 Ball & R302033 Socket Installed
S.O.S.	32649	35581-2 or 13250-2		4 3/4"	54"		

HENDRICKSON EQUALIZER BEAM PARTS

CENTER BEAM BUSHING	MERITOR NO.	REPLACES	SMALL O.D.	LARGE O.D.	O.A. LENGTH	APPLICATION
<p>Need OTC Tool 1740 to Install</p> 	R301338	Hendrickson 6664 Ford TWAA 5872A Navistar 9650-80R1 GMC 2325972 Volvo 498403	2 3/4"	3 5/8"	12"	For all 340 Series
	R301339	Hendrickson 5919 Ford TALAA5872A Navistar 124901R91 GMC 2359280 Volvo 452839	3 1/2"	4 3/4"	12"	For all 400, 480 Series
	R309510 (Poly)					
<p>CENTER BEAM BUSHING</p>  <p>With loose plug to facilitate installation with OTC tools</p> 	R301594	Hendrickson 22279 Ford C9HS-5872A Volvo 1714667	2 3/4"	3 5/8"	12"	For all 340 Series
	R301595	Hendrickson 22282 Volvo 1714668	3 1/2"	4 3/4"	12"	For all 400 Series
	R3015942	Hendrickson 22278	1 15/16" O.D. x 3/16" Thick			Use with R301594 Bushing
	R3015952	Hendrickson 22281	2 7/16" O.D. x 3/16" Thick			Use with R301595 Bushing
<p>CENTER BEAM BUSHING</p> 	R302553	Hendrickson 10366	4"	5 1/2"	14 5/8"	For RT/RS 650 Series
<p>CENTER BEAM BUSHING "High Confinement"</p> 	R306979	Hendrickson 49400-00L	3 1/2"	4 3/4"	12"	Improved version of R301339. Outer Metal Sleeve has been redesigned to confine the rubber inside the bushing. For 400, 460 Series.
<p>CENTER BEAM BUSHING "High Confinement"</p>  <p>With loose plug.</p> 	R306980	Hendrickson 49600-00L Tool OTC 1746	3 1/2"	4 3/4"	12"	Improved version of R301595. Outer Metal Sleeve has been redesigned to confine the rubber inside the bushing. For 400, 460 Series.
<p>CENTER BEAM BUSHING "Fully Bonded"</p> 	R309359	Hendrickson 29483-005	3 1/2"	4 3/4"	12"	Fully Bonded Rubber for extremely Heavy-Duty applications. Transverse rods are required when using rubber center bushings

1

HENDRICKSON EQUALIZER BUSHING KITS

BRONZE CENTER





Kit contains all parts necessary for converting two beams to bronze center bushings.

REBUILD/CONVERSION KITS			
340 SERIES			
MERITOR R301545			
Replaces Hendrickson 30436 Navistar 890432R92 Volvo 02-7074316 N.S.S. = Not Sold Separate — R301555 & R301549 Not Serviced Separately			
ITEM	QTY.	MERITOR NO.	DESCRIPTION
1	2	N.S.S.	Beam Center Sleeve 2 3/4" OD x 12" OAL
2	2	N.S.S.	Center Bushing
3	2	N.S.S.	Alemite Fitting (R301555)
4	8	N.S.S.	Thrust Washer
5	4	N.S.S.	Seal (R301549)
		R303913	Seal
400 SERIES			
MERITOR R301546			
Replaces Hendrickson 30437-000L Navistar 893059R92 Volvo 02-7074317 N.S.S. = Not Sold Separate — R301555 Not Serviced Separately			
ITEM	QTY.	MERITOR NO.	DESCRIPTION
1	2	R301551	Beam Center Sleeve (14685-000L)
2	2	R301552	Center Bushing (30240-002)
3	2	N.S.S.	Alemite Fitting (R301555)
4	8	R302021	Thrust Washer
5	4	R301553	Seal
		R303913	Seal
Beams must be drilled & tapped for grease fitting			

HENDRICKSON EQUALIZER BEAM PARTS

CENTER BEAM SLEEVE (STEEL)	MERITOR NO.	REPLACES	SMALL I.D.	LARGE O.D.	O.A. LENGTH	APPLICATION
	R301551	Hendrickson 14685-000 Ford C2TS-5872A GMC 2436412 Navistar 892611R1 Volvo 649635	—	3 1/2"	12"	For all 400, 460, 480 Series
CENTER BEAM BUSHING (BRONZE)						
	R301552	Hendrickson 30240-002 Ford D0HZ-5872A GMC 675284 Navistar 379077C1 Volvo 567732	3 1/2"	4 3/4"	5 7/8"	For all 400, 460, 480, 520 Series


HENDRICKSON EQUALIZER BEAM PARTS

BRONZE CENTER BUSHING SEAL 	MERITOR NO.	REPLACES	O.D.	I.D.	THICK	APPLICATION
	R301553	Hendrickson 30334-000 Ford D0HZ-5878A Navistar 380336C91 Volvo 567731	4 3/4"	3 1/2"	1/4"	For all 400, 460, 480, 520 Series
R303913						
CENTER BUSHING THRUST WASHER 	R302021	Hendrickson 32365-000 Ford C6TS-5A552A GMC 2436411 Navistar 892192R1 Volvo 649634	5 3/4"	3 1/2"	1/8"	For all 400, 460, 480, 520 Series




MERITOR NO.	REPLACES WILLIAM WEST	GENERAL INFORMATION	QTY	DESCRIPTION
R309588	T-4469	For 380 to 520 Series Suspension	2 2 4 4	Beam Center Sleeve Beam Center Bushing Thrust Washer Seal

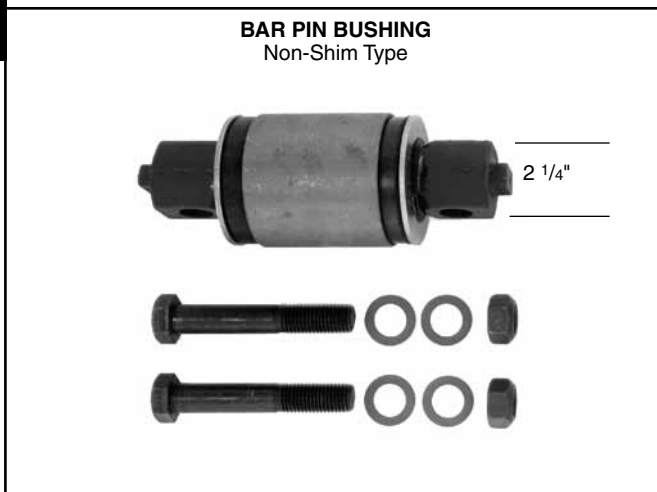
END BEAM BUSHING PARTS

END BEAM BUSHING KIT	MERITOR NO.	REPLACES	QTY	MERITOR NO.	DESCRIPTION	APPLICATION & GENERAL INFO.
	R305308	Hendrickson 34013-048L	1 1	R301340 R302372	Bushing Adapter	For 340 Series
	R305309	Hendrickson 34013-049L	1 1	R301341A R302374	Bushing Adapter	For 400 (Old 380) & 460 Series
	R309576	Hendrickson 34013-073L	1 1	R301341A R309420	Bushing Adapter	For 460 Series
	R309577	Hendrickson 34013-050L	1 1	R302771 R309420	Bushing Adapter	For 480 & 520 Series

HENDRICKSON EQUALIZER BEAM PARTS

	MERITOR NO.	REPLACES	O.D.	I.D.	LENGTH	APPLICATION & GENERAL INFO.
	R301340	Hendrickson 6969 Ford TWAA 5873A Navistar 124865R1 GMC 2325973 Volvo 498417	4 3/8"	2 1/2"	5 1/4"	For All 340 Series
	R302771	Hendrickson 29878-001L	4 3/8"	2 1/2"	5 3/4"	For all 480 Series Same as R301341A except outer shell length & Rubber Durometer
	R301341A	Hendrickson 45900-000L Ford B8QH5873A Navistar 124892R1 GMC 2359281 Volvo 452836	4 3/8"	2 1/2"	5 3/4"	For all 400, 460 Series
	R309512A (Poly)					
	R309419	Hendrickson 45407-000	4 3/8"	2 1/2"	6"	For RS 480/520 Series
	R302554	Hendrickson 10363	6"	3"	6"	For RT/RS 650 Series

1






MERITOR NO.	REPLACES	GENERAL INFORMATION
R309325	Hendrickson 34013-087	Non-Shim Type








MERITOR NO.	REPLACES	GENERAL INFORMATION
R309326	Hendrickson 34013-088L	Shim Type

ALIGNMENT SHIMS


	MERITOR NO.	REPLACES	SIDE THICKNESS	APPLICATION INFORMATION
	R309327	Hendrickson 50130-000	3/16"	Shims are used with R309326 Bushings in various thicknesses and installation positions to correct alignment as needed.
	R309328	Hendrickson 50131-000	1/8", 1/4"	
	R309329	Hendrickson 57026-000	3/8"	

HENDRICKSON EQUALIZER BEAM PARTS


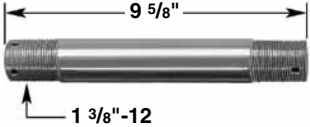

<p align="center">BEAM END ADAPTER ASSEMBLY Old Style</p> 	MERITOR NO.	REPLACES	APPLICATION
	R302372	Hendrickson 45000-13	For all 340 Series
	R302374	Hendrickson 45000-007L	For all 400, 460 Series
	R309420	Hendrickson 21140-034L	For RS-460 (Use with R301341A)
	R309421	Hendrickson 21140-033	For RS-520 (Use with R309419)
<p align="center">SPLIT FLANGE BEAM END ADAPTER ASSEMBLY</p> 	R302373	Hendrickson 45000-14	For all 340 Series
	R302375	Hendrickson 45000-8	For all 400, 460 Series
<p align="center">BEAM END ADAPTER ASSEMBLY</p>  <p align="center">SHAFT 2" O.A.L. 12 3/4" 1 7/8"-12 THREAD</p>	R302555	Hendrickson 21140-7	For RT/RS 650 Series Assembly Includes All Parts Shown

<p align="center">OPTIONAL BEAM HANGER TUBE</p> 	MERITOR NO.	REPLACES	O.D.	I.D.	LENGTH	APPLICATION
	R302566	Hendrickson 10372	3"	2 1/8"	9 3/4"	For 650 Series For Off-Highway & Rough Service
	R303882	Hendrickson 6998	2 1/2"	1 7/8"	9 1/2"	R440 (Old) R460 (New) Model Series
<p align="center">BEAM HANGER TUBE NUT</p> 	R302567	Hendrickson 10371	THREAD			For 650 Series Use with R302566 Tube
	R303881	Hendrickson 6994	3" -12			
			2 1/2" -12			R440 (Old) R460 (New) Model Series

Remember OTC End Beam and Center Beam Bushing Tools are available through S.O.S.

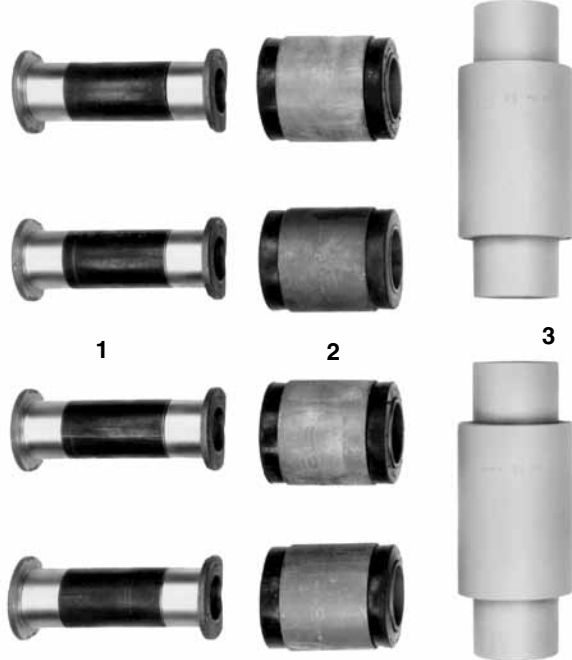


<p align="center">ALIGNMENT ADAPTER ASSEMBLY</p> <p>Align Hendrickson, Neway, Reyco and Ridewell suspensions without cutting and rewelding the hanger using the Alignment Adapter Assembly.</p>  <p>The precision-fit Alignment Adapter Assembly replaces the original beam end adapter assembly without any modifications. Each unit provides a total of 1/2" positive adjustment. One adapter in each beam is usually sufficient for alignment correction.</p>	MERITOR NO.	APPLICATION	USE WITH BUSHING NO.	LENGTH
	R304844	Hendrickson 400/460 Neway ARD 238/244 Reyco 238/244/246 Ridewell RD202	R301341A	5 3/4"
	R3011995			
R3011996				

BALL AND SOCKET BEAM END BUSHING

BRONZE END BUSHING ASSEMBLY 		SHAFT 		NUT 	
MERITOR NO.	REPLACES	MERITOR NO.	REPLACES	MERITOR NO.	REPLACES
R302031A	Hendrickson 34013-57L	R302034	Hendrickson 3350	R302035	Hendrickson 8582

HENDRICKSON EQUALIZER BEAM BUSHING KITS

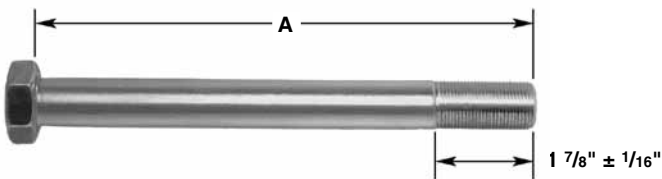
1

				<p align="center">400 SERIES MERITOR KIT R302863A Replaces Hendrickson 70000-2</p> <table border="1"> <thead> <tr> <th>ITEM</th> <th>QTY.</th> <th>MERITOR NO.</th> <th>DESCRIPTION</th> </tr> </thead> <tbody> <tr> <td>1</td> <td>4</td> <td>R302374</td> <td>Beam End Adapter Assembly</td> </tr> <tr> <td>2</td> <td>4</td> <td>R301341A</td> <td>Beam End Bushing</td> </tr> <tr> <td>3</td> <td>2</td> <td>R301339</td> <td>Beam Center Bushing</td> </tr> </tbody> </table> <p align="center">MERITOR KIT R302864A Same as R302863A except R301595 with loose End Plug is used in place of R301339</p> <div style="border: 1px solid black; padding: 5px; display: inline-block;"> <p>Loose End Plug  R301595</p> </div>				ITEM	QTY.	MERITOR NO.	DESCRIPTION	1	4	R302374	Beam End Adapter Assembly	2	4	R301341A	Beam End Bushing	3	2	R301339	Beam Center Bushing																				
ITEM	QTY.	MERITOR NO.	DESCRIPTION																																								
1	4	R302374	Beam End Adapter Assembly																																								
2	4	R301341A	Beam End Bushing																																								
3	2	R301339	Beam Center Bushing																																								
				<p align="center">400 SERIES MERITOR KIT R302865A</p> <table border="1"> <thead> <tr> <th>ITEM</th> <th>QTY.</th> <th>MERITOR NO.</th> <th>DESCRIPTION</th> </tr> </thead> <tbody> <tr> <td>1</td> <td>4</td> <td>R302374</td> <td>Beam End Adapter Assembly</td> </tr> <tr> <td>2</td> <td>2</td> <td>R301551</td> <td>Center Sleeve</td> </tr> <tr> <td>3</td> <td>4</td> <td>R301341A</td> <td>Beam End Bushing</td> </tr> <tr> <td>4</td> <td>2</td> <td>R301552</td> <td>Center Bushing</td> </tr> <tr> <td>5</td> <td>2</td> <td>N.S.S.</td> <td>Alemite Fitting</td> </tr> <tr> <td>6</td> <td>4</td> <td>R301553</td> <td>Seal</td> </tr> <tr> <td></td> <td></td> <td>R303913</td> <td>Seal</td> </tr> <tr> <td>7</td> <td>8</td> <td>R302021</td> <td>Thrust Washer</td> </tr> </tbody> </table>				ITEM	QTY.	MERITOR NO.	DESCRIPTION	1	4	R302374	Beam End Adapter Assembly	2	2	R301551	Center Sleeve	3	4	R301341A	Beam End Bushing	4	2	R301552	Center Bushing	5	2	N.S.S.	Alemite Fitting	6	4	R301553	Seal			R303913	Seal	7	8	R302021	Thrust Washer
ITEM	QTY.	MERITOR NO.	DESCRIPTION																																								
1	4	R302374	Beam End Adapter Assembly																																								
2	2	R301551	Center Sleeve																																								
3	4	R301341A	Beam End Bushing																																								
4	2	R301552	Center Bushing																																								
5	2	N.S.S.	Alemite Fitting																																								
6	4	R301553	Seal																																								
		R303913	Seal																																								
7	8	R302021	Thrust Washer																																								

HENDRICKSON SPRING SADDLE ATTACHING PARTS

SPRING SADDLE TOP PAD BOLTS

**HEAT TREATED ALLOY
GRADE 8**




Use with R301828
Nut & R302573
Washer

1" -14 Thread
Use with R301828 Nut

MERITOR NO.	HENDRICKSON NO.	A	FORD NO.	GMC NO.	NAVISTAR NO.	VOLVO NO.
R301860	30550-002	9"	353834S2	—	—	521896
R301859	30550-004	9 1/2"	353834S2	2292911	891256R1	718984
R301856	30550-006	10"	D0H2-5887A	2493784	—	862529
R301855	30550-007	10 1/4"	—	8868974	—	—
R309430	30550-008	10 1/2"	—	—	—	—
R302570	30550-010	11"	—	—	—	—

1

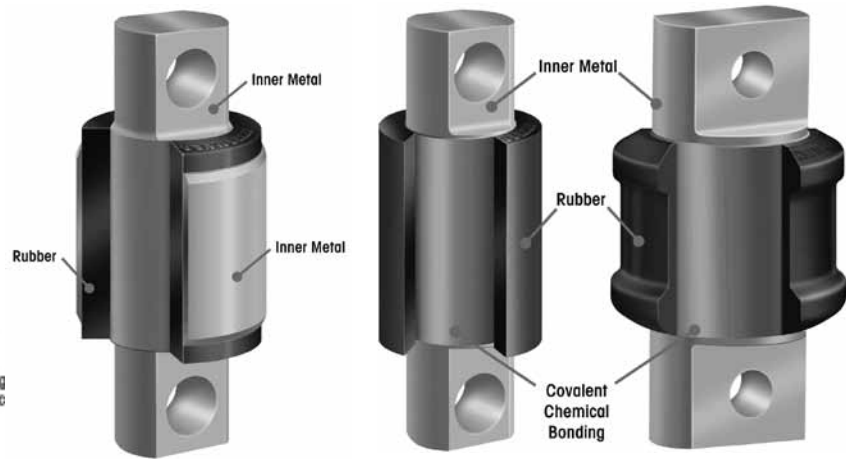
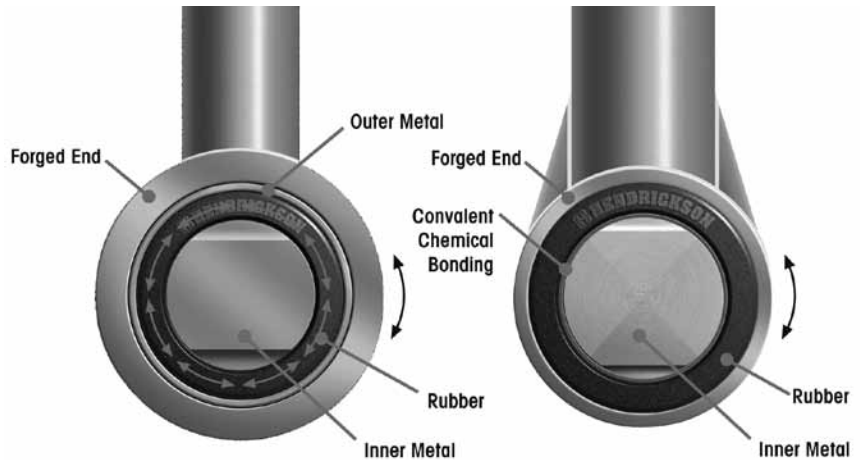
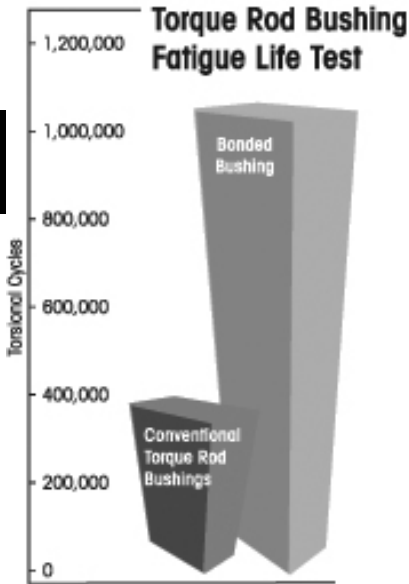
SET SCREW ASSEMBLY	MERITOR NO.	REPLACES	THREAD SIZE	LENGTH	APPLICATION & GENERAL INFORMATION
	R309429	Hendrickson 35370-002	3/4" -10	3 1/4"	Includes: 1 R301825 Set Screw 1 Nut 1 Lock Washer

HENDRICKSON ULTRA ROD® PLUS™

Torque Rod Bonded Bushing Provides Longer Life

Bonding makes a better bushing. Hendrickson's bonded bushings utilize specialized chemical reactions during the in-mold curing process to physically bond the inner metal to the rubber. Bonding the rubber to the inner metal extends the bushing's service life by eliminating the detrimental effects caused by rubber-to-metal slip exhibited in conventional bushing construction. Rebushing a torque rod with a bonded bushing is simple — clean and inspect hub, lubricate rubber and hub inner diameter, press and center rubber bushing into hub.

HENDRICKSON



CONVENTIONAL BUSHING

BONDED BUSHINGS

Laboratory tests* prove that the new Hendrickson ULTRA ROD® PLUS™ torque rod bonded bushing lasts longer than conventional torque rod cartridge bushings.

Use Hendrickson's improved technology and experience the bonded bushing difference.

* Bushings tested for end hubs 2.75" I.D. x 2.2" wide

Torsional Cycles-to-Failure is the total number of torsional fatigue cycles imparted to a bushing specimen at the point of significant performance degradation. Torsional cycles-to-failure is a relative fatigue performance measure that can be used to compare the performance of similar bushing. The above data is based upon internal testing. Actual product performance may vary depending upon torque rod, suspension, vehicle types, configurations, operation, service and other factors.


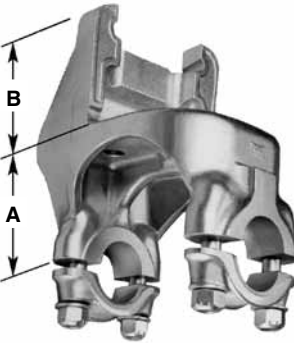
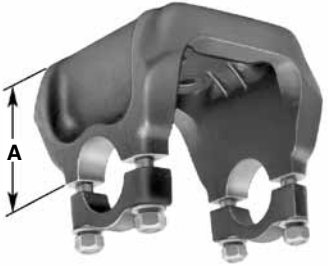
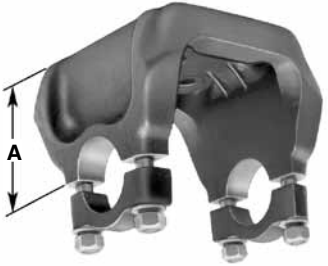
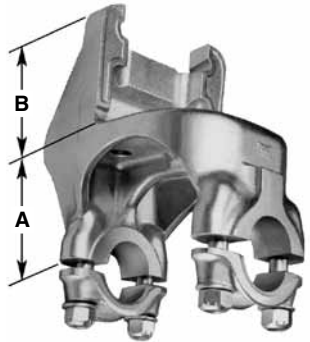
Hendrickson's bonded bushing molecularly bonds the rubber bushing to a metal shaft creating a stronger more robust bushing.

HENDRICKSON ULTRA ROD® PLUS™

MERITOR NO.	HENDRICKSON PART NO.	I.D.	O.D.	LENGTH	TYPE	END COMPONENT	MATERIAL
R3013966	46736-000L	1 1/8"	2 3/4"	3 1/4"	1	Torque Rod	Rubber/Steel
R3013967	64400-010L	1 1/8"	3 1/4"	3 1/4"	1	Torque Rod	Rubber/Steel
R3013961	64400-002L	5/8"	3 1/4"	4 3/8"	3	Torque Rod	Rubber/Steel
R3013963	46734-000L	3/4"	2 3/4"	5 11/10"	3	Torque Rod	Rubber/Steel
R3013964	64400-009L	3/4"	3 1/4"	5 11/10"	3	Torque Rod	Rubber/Steel
R3013970	64400-005L	3/4"	3 1/4"	4 3/8"	3	Torque Rod	Rubber/Steel
R3013971	64400-003L	7/8"	3 1/4"	5 1/4"	3	Torque Rod	Rubber/Steel
R3013962	64400-004L	3"	3 1/4"	8"	5	Torque Rod	Rubber/Steel
R3013965	64400-007L	1 7/8"	3 1/4"	7"	5	Torque Rod	Rubber/Steel
R3013968	46737-000L	2"	2 3/4"	6 5/8"	5	Torque Rod	Rubber/Steel
R3013969	64400-008L	2"	3 1/4"	6 5/8"	5	Torque Rod	Rubber/Steel
R3013972	64400-006L	3"	3 1/4"	8 3/4"	5	Torque Rod	Rubber/Steel
R3013973	34013-113	Promotional Kit - Includes eight bonded bushings (part no. 64400-002L) and one funnel tool (part no. 66086-000)					
R3013974	66086-000	Funnel Tool - Used for rebushing a torque rod with a bonded bushing					

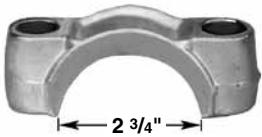


1

HENDRICKSON TOP PADS AND SPRING SADDLE ASSEMBLIES

 <p>SPRING SADDLE TOP PAD</p>	MERITOR NO.	REPLACES	APPLICATION & GENERAL INFORMATION		
 <p>SPRING SADDLE</p>	R301869	Hendrickson 35064 (Casting No. 47880) Ford TWAA 5708A GMC 2274308 Navistar 56677R1 Volvo 718577	RT 400 Series		
 <p>SPRING SADDLE</p>	R301849	Hendrickson 31017-23 (Casting No. 6611 or 46529) Ford TWAA 5874B GMC 2325975 Navistar 310292C1 Volvo 447869	"A" 6 3/16"	"B" 6 1/2"	APPLICATION RT 340
 <p>SPRING SADDLE</p>	R301850	Hendrickson 31017-25L (Casting No. 7979 or 46138) Navistar 124805R2 Volvo 513473	7 3/16"	6 1/2"	RT 340
 <p>SPRING SADDLE</p>	R301851	Hendrickson 31017-75 (Casting No. 19269-2 or 43184) Ford C5TZ-5874A GMC 2485255 Navistar 349506C1 Volvo 1027935	6 3/16"	—	U 340
	R301852	Hendrickson 31017-76 (Casting No. 26213-1 or 43145) Ford C6TZ-5874B GMC 8867400 Volvo 577175	7 5/16"		
	R301853	Hendrickson 31017-22 (Casting No. 57167) (Old Casting No. 42933) Ford B8QH5874A GMC 2359277 Navistar 124903R91 Volvo 452840	6"	6 7/8"	RT400
	R301854	Hendrickson 31017-096L (New Casting No. 57457) (Old Casting No. 13088-2 or 45605)	6"	8"	RT 460
	R3011058	Hendrickson 31017-109 (Casting No. 57143) Low Chair Back	7 3/16"	7"	RT400/460
	R307530	Hendrickson 31017-110 (High Chair Back 57155)	7 3/16"	8"	RT 400/460
	R307531	Hendrickson 31017-53 (Casting No. 32796)	6"	8"	RT 520

1

HENDRICKSON SPRING SADDLE ATTACHING PARTS

SADDLE CAP	MERITOR NO.	REPLACES	APPLICATION & GENERAL INFORMATION		
		R301832	Hendrickson 19283-2	U 340 Series Use with R302229 Stud and R004961A Nut	
SADDLE CAP	R301833A	Hendrickson 58795-000 GMC 2485257 Ford C6TZ-5875B Navistar 767601C1	RT/RTE 400 Series Use with R301830 Stud		
					
SADDLE CAP STUD	R301829	Hendrickson 7002 GMC 2325967 Ford 35205858 Navistar 13055BR1 Volvo 498450	THREAD SIZE	LENGTH	APPLICATION & GENERAL INFORMATION
			7/8"-14	4 3/8"	RT/RTE 340 Series
	R301830	Hendrickson 06696-000 GMC 2359279 Ford 3706865 Navistar 130555R1 Volvo 452837	7/8"-14	4 13/16"	RT/RTE 400 Series
	R301944	Hendrickson 9029 GMC 2362866 Ford 377817-87-8 Navistar 980226-R1 Volvo 871976	7/8"-14	4 7/16"	RS/SR/AR 400 Series Use R301834 Washer & R301835 Nut
7/8"-9					
SADDLE CAP STUD	R301947	Hendrickson 9030 GMC 2396590 Navistar 449234R1 Volvo 873061	7/8"-14	5"	
	7/8"-9				
SADDLE CAP STUD	R302229	Hendrickson 23441-4	3/4"-16	4 7/64"	Use when converting a RU Series Suspension to a Std. R301338 Center Bushing Use with R004961A Nut

1

If you detect any **errors** in this Catalog, please let us know.



We want the information to be as accurate as possible; we appreciate your help in making it so.

Please e-mail any comments/suggestions/corrections to us at: catalogfeedback@arvinmeritor.com

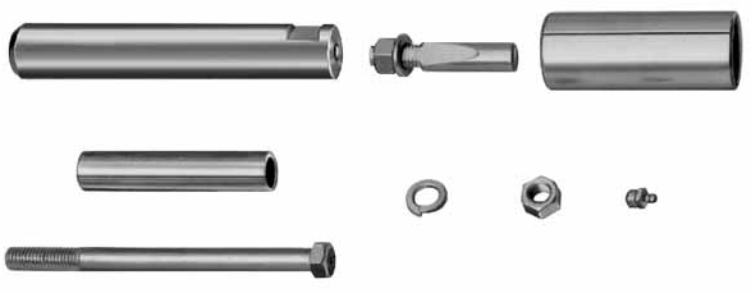
or mail to: **ArvinMeritor, Inc.**
Attn: Catalog Dept.
7975 Dixie Highway
Florence, KY 41042-2754

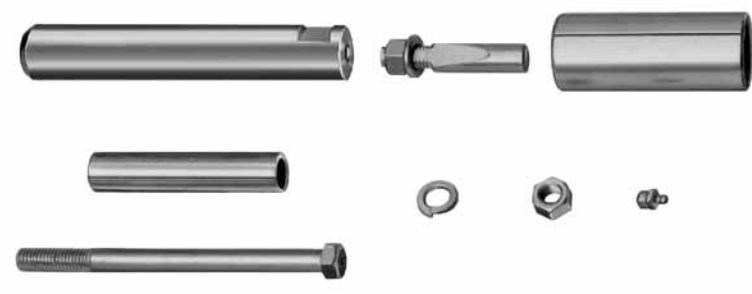
HENDRICKSON SPRING HANGER & ATTACHING PARTS

SPRING HANGER SPACER 	MERITOR NO.	REPLACES	PART SPECIFICATION			SERIES
			O.D.	I.D.	LGTH.	
	R301821	Hendrickson 194 GMC 2382489 Navistar 80012H Volvo 875594	1 3/16"	5/8"	4"	RT 400 RU 340
SPRING HANGER PIN  Use R301307 Grease Zerk 	R301817	Hendrickson 32276 Ford TWAA-5780-A GMC 2269445 Navistar 68932HC Volvo 718568	DIAMETER		LGTH.	RT/RU 340
			1 1/4"		7 5/16"	
	R301818	Hendrickson 32277 Ford B8QH-5780B GMC 2382486 Navistar 923190R1 Volvo 646375	1 3/8"		7 5/16"	RT 400 U/UE 340
	R302556	Hendrickson 5-000	1 1/2"		7 1/2"	For 650 Series
SPRING HANGER PIN 	R303761	Hendrickson 43146-000L	1 3/8"		6 7/8"	For 340, 400, 460
SPRING HANGER PIN LOCK BOLT ASSEMBLY  Assembly includes Key, Lock Washer & Nut	R3018191	Hendrickson 62-1 Ford TUAA-5782A GMC 2269412 Navistar 69104HA Volvo 864834	THREAD		LGTH.	RT 400 RU 340
			1/2"-13		3 1/8"	
	R302558	Hendrickson 81-1	1/2"-13		3 3/4"	—
SPRING EYE BUSHING ASSEMBLY 	R301876	Hendrickson 30057-007L Ford C6TZ-5781-A GMC 2438375 Navistar 332902C1 Volvo 899878	O.D.	I.D.	LGTH.	RT/RU 340
			1 1/2"	1 1/4"	3 15/16"	
	R301877	Hendrickson 30057-008L Ford C6TZ-5781B GMC 2483369 Navistar 316472C1 Volvo 1738771	1 5/8"	1 3/8"	3 15/16"	RT 400
	R302557	Hendrickson 22285	1 3/4"	1 1/2"	4"	For 650 Series
BOLT ASSEMBLY 	R302040	Hendrickson 306257 Hendrickson 3401357				

1


HENDRICKSON SPRING HANGER KITS


<p align="center">ALL 340 SERIES Contains Enough Parts to Service One Spring: Front & Back Hangers</p> 		<p align="center">SPRING HANGER KIT R301878</p> <table border="1"> <thead> <tr> <th>QUANTITY</th> <th>MERITOR NO.</th> <th>DESCRIPTION</th> </tr> </thead> <tbody> <tr> <td>1</td> <td>R301817</td> <td>Spring Hanger Pin</td> </tr> <tr> <td>1</td> <td>R3018191</td> <td>Pin Lock Bolt Assembly</td> </tr> <tr> <td>1</td> <td>R301876</td> <td>Spring Eye Bushing</td> </tr> <tr> <td>1</td> <td>R301821</td> <td>Spring Hanger Spacer</td> </tr> <tr> <td>1</td> <td>R301820</td> <td>Spacer Bolt</td> </tr> <tr> <td>1</td> <td>N.S.S.</td> <td>Lock Washer</td> </tr> <tr> <td>1</td> <td>N.S.S.</td> <td>Nut</td> </tr> <tr> <td>1</td> <td>R301307</td> <td>Grease Zerk</td> </tr> </tbody> </table>		QUANTITY	MERITOR NO.	DESCRIPTION	1	R301817	Spring Hanger Pin	1	R3018191	Pin Lock Bolt Assembly	1	R301876	Spring Eye Bushing	1	R301821	Spring Hanger Spacer	1	R301820	Spacer Bolt	1	N.S.S.	Lock Washer	1	N.S.S.	Nut	1	R301307	Grease Zerk
QUANTITY	MERITOR NO.	DESCRIPTION																												
1	R301817	Spring Hanger Pin																												
1	R3018191	Pin Lock Bolt Assembly																												
1	R301876	Spring Eye Bushing																												
1	R301821	Spring Hanger Spacer																												
1	R301820	Spacer Bolt																												
1	N.S.S.	Lock Washer																												
1	N.S.S.	Nut																												
1	R301307	Grease Zerk																												

<p align="center">ALL 400, 460, 480 SERIES Contains Enough Parts to Service One Spring: Front & Back Hangers</p> 		<p align="center">SPRING HANGER KIT R301879</p> <table border="1"> <thead> <tr> <th>QUANTITY</th> <th>MERITOR NO.</th> <th>DESCRIPTION</th> </tr> </thead> <tbody> <tr> <td>1</td> <td>R301818</td> <td>Spring Hanger Pin</td> </tr> <tr> <td>1</td> <td>R3018191</td> <td>Pin Lock Bolt Assembly</td> </tr> <tr> <td>1</td> <td>R301877</td> <td>Spring Eye Bushing</td> </tr> <tr> <td>1</td> <td>R301821</td> <td>Spring Hanger Spacer</td> </tr> <tr> <td>1</td> <td>R301820</td> <td>Spacer Bolt</td> </tr> <tr> <td>1</td> <td>N.S.S.</td> <td>Lock Washer</td> </tr> <tr> <td>1</td> <td>N.S.S.</td> <td>Nut</td> </tr> <tr> <td>1</td> <td>R301307</td> <td>Grease Zerk</td> </tr> </tbody> </table>		QUANTITY	MERITOR NO.	DESCRIPTION	1	R301818	Spring Hanger Pin	1	R3018191	Pin Lock Bolt Assembly	1	R301877	Spring Eye Bushing	1	R301821	Spring Hanger Spacer	1	R301820	Spacer Bolt	1	N.S.S.	Lock Washer	1	N.S.S.	Nut	1	R301307	Grease Zerk
QUANTITY	MERITOR NO.	DESCRIPTION																												
1	R301818	Spring Hanger Pin																												
1	R3018191	Pin Lock Bolt Assembly																												
1	R301877	Spring Eye Bushing																												
1	R301821	Spring Hanger Spacer																												
1	R301820	Spacer Bolt																												
1	N.S.S.	Lock Washer																												
1	N.S.S.	Nut																												
1	R301307	Grease Zerk																												

N.S.S. = Not Sold Separately

RT/RTE SPRING HANGER HARDWARE

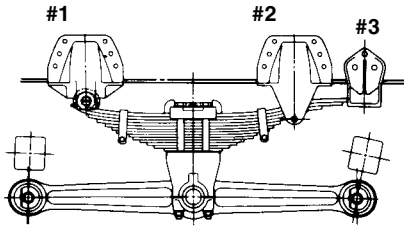
<p align="center">LOCK BOLT KIT</p> 		
MERITOR NO.	REPLACES	DIMENSIONS
R309427	Hendrickson 29828-035	Bolt 1/2" x 4" Length Nut 1/2" Lock Nut Washer 1/2"
R302040	Hendrickson	

<p align="center">REBOUND BOLT & SPACER ASSEMBLY</p> 		
MERITOR NO.	REPLACES	DIMENSIONS
R309428	Hendrickson 29828-023	Bolt 1/2" x 6 1/2" Length Nut 1/2" Lock Nut Spacer 4 1/2" Length

HENDRICKSON SUSPENSION PARTS

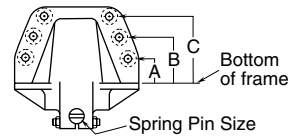
RT/RTE Series Spring Hangers

RTE SERIES SPRING HANGERS



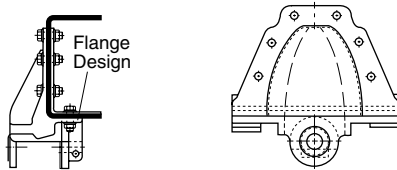
NOTE: For clamp and web mount spring hangers Hendrickson recommends a minimum 5/8" Grade 8 bolt with Grade C lock-nut and hardened washers be used to attach spring hangers to the main frame of the vehicle. With older model vehicles this may require that the holes in the frame be enlarged to accommodate the 5/8" fasteners.

HOLE PATTERN DIMENSIONS

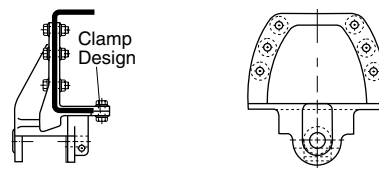


COMMON HOLE PATTERNS	A	B	C
Clamp, Web and Flange, 6-Hole	2 9/16"	5 3/8"	7 5/8"
Clamp, 6-Hole	2 9/16"	4 1/2"	6 7/16"
Web, 4-Hole	2 9/16"	5 3/8"	—
Web, 3-Hole	1 7/8"	4"	—

#1 FLANGE MOUNT HANGER



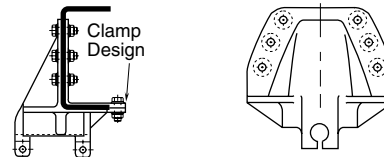
1 CLAMP MOUNT HANGER - SINGLE LOCK



MERITOR NO.	HENDRICKSON CASTING NO.	REPLACES HENDRICKSON NO.	SPRING PIN DIA.
R307536	4666	4666	1 1/4"
R307537	4666	25641	1 3/8"
R307540	9170	9170	1 1/4"
	19873		
	19874		
	21913		
R307541	25845	25601	1 3/8"
	9170		
	19873		
	19874		
	25845		

MERITOR NO.	HENDR. CASTING NO.	REPLACES HENDRICKSON NO.	SPRING PIN DIA.
R302605	20395	43181-4	1 1/4"
	45159		
R307546	24469	31346	1 3/8"

#1 CLAMP MOUNT HANGER - DOUBLE LOCK

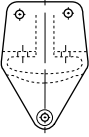
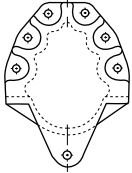


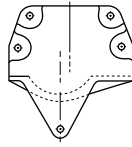
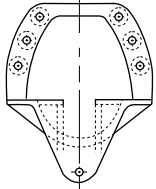
MERITOR NO.	HENDR. CASTING NO.	REPLACES HENDRICKSON NO.	SPRING PIN DIA.
R302607	26741-1	26742-3	1 1/4"
R302608	26741-2	26742-4	1 1/4"
R302611	31013	31124-1	1 3/8"
R302609	31026	31128-1	1 1/4"
R307544	31026	31128-4	1 3/8"
R302610	33161	33163-2	1 1/4"
R302612	33161	33163-1	1 3/8"

MERITOR NO.	HENDR. CASTING NO.	REPLACES HENDRICKSON NO.	SPRING PIN DIA.	APPLICATION & GENERAL INFORMATION
R309628	50180,	50181-1,	1 3/8"	Ford, 3/4" Bolts
	46840			
R309629	50180,	50181-2,	1 3/8"	5/8" Bolts
	46840			
R309630	50180,	50181-3,	1 3/8"	Peterbilt
	46840			
R309631	50180	50181-4	1 3/8"	Navistar
R309632	50180	50181-5	1 3/8"	Mack
R3010263	50188,	50189-1,	1 3/8"	Ford, 3/4" Bolts
	46842			
R3010264	50188,	50189-3,	1 3/8"	5/8" Bolts
	46842			
R3010265	50188,	50189-4,	1 3/8"	Freightliner
	46842			
R3010266	50188	50189-6	1 3/8"	Navistar
R3010267	50184,	50185-1,	1 3/8"	Mack, Volvo
	47868	47874-1		

HENDRICKSON SUSPENSION PARTS

RT/RTE Series Spring Hangers

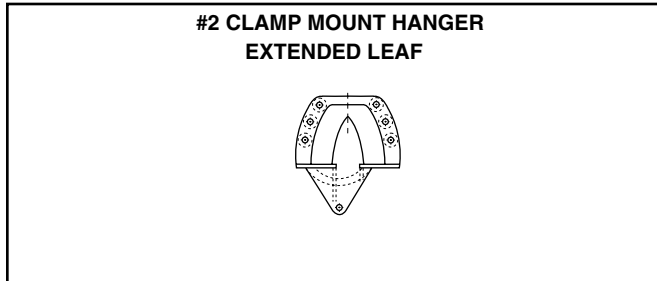
#2 FLANGE MOUNT HANGER TWO-BOLT PATTERN EXTENDED LEAF		
		
N/A = Part no longer available		
MERITOR NO.	HENDRICKSON CASTING NO.	REPLACES HENDRICKSON NO.
N/A	30173	28054-1
#2 WEB MOUNT HANGER		
		
MERITOR NO.	HENDRICKSON CASTING NO.	REPLACES HENDRICKSON NO.
R302613	31014	31125-1
R302614	31027	31129-1
R307562	33162	33164-1

#2 WEB MOUNT HANGER EXTENDED LEAF			
			
MERITOR NO.	HENDRICKSON CASTING NO.	REPLACES HENDRICKSON NO.	
R302620	31015-1	31126-1	
R302621	31015-2	31126-2	
#2 CLAMP MOUNT HANGER			
			
MERITOR NO.	HENDRICKSON CASTING NO.	REPLACES HENDRICKSON NO.	APPLICATION & GENERAL INFORMATION
R302615	20396	32517	—
R303605	35399-1	35400-1	Navistar
R303604	35399-2	35400-2	Navistar
R303606	35399-3	35400-3	Navistar
R307566	43182, 47865 49230-1	47875-1	Mack, Volvo
R307568A	57593-1, 47075	57594-1, 47076-1	Ford, 3/4" Bolts
R307569A	57593-1, 47075	57594-2, 47076-2	5/8" Bolts
R309635A	57593-1, 47075	57594-3, 47076-3	Peterbilt
R307570	45732	45734	Navistar
R307571	45733	45735	Navistar
R307572A	57624-1,46049	57625-1, 46050-1	Ford, 3/4" Bolts
R309633A	57624-1,46049	57625-3, 46050-3	5/8" Bolts
R309634A	57624-1,46049	57625-4, 46050-4	Freightliner
R309636	50182	50183-1	Ford, 3/4" Bolts
R309637	50182	50183-2	5/8" Bolts
R309638	50182	50183-3	Peterbilt
R309639	50186	50187-1	Mack, Volvo
R309640	50186	50187-2	Freightliner
R309641	50190	50191-1	Ford, 3/4" Bolts
R309642	50190	50191-3	5/8" Bolts
R3010276	50190, 59756	50191-4	Freightliner Only
R3010277	50190, 59756	50191-6	Navistar Only

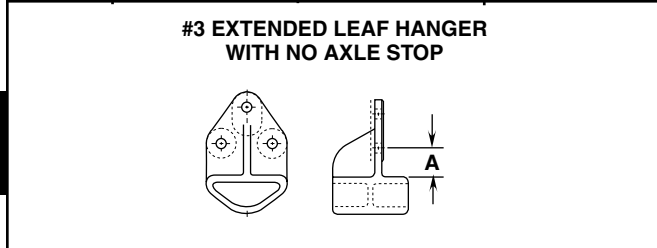
HENDRICKSON SUSPENSION PARTS

RT/RTE Series Spring Hangers

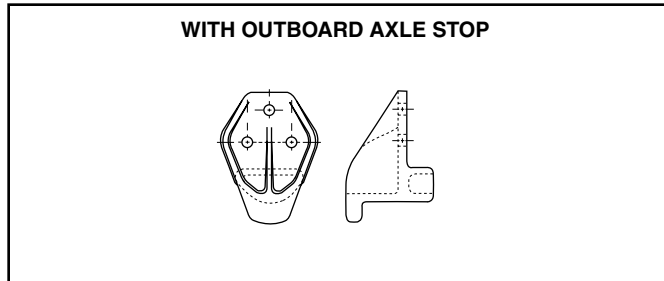
N/A = Parts No Longer Available



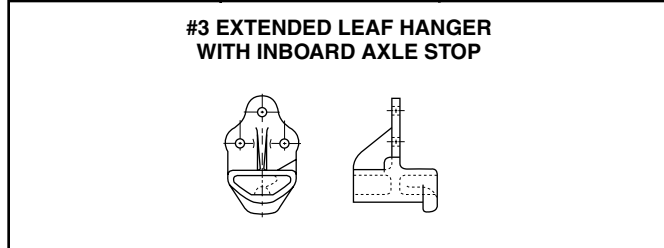
MERITOR NO.	HENDRICKSON CASTING NO.	REPLACES HENDRICKSON NO.	APPLICATION & GENERAL INFORMATION
N/A	24482-1 34986-1	35016-11	Right Side



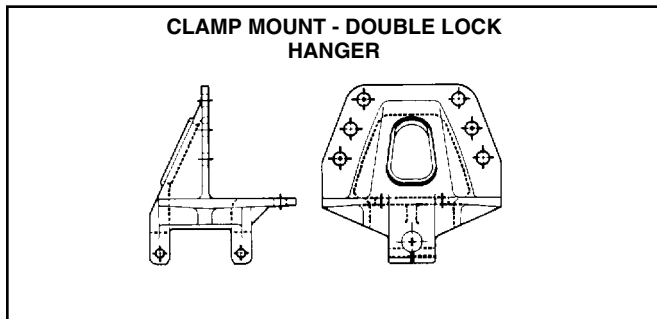
MERITOR NO.	HENDRICKSON CASTING NO.	REPLACES HENDRICKSON NO.	APPLICATION & GENERAL INFORMATION
R302625	26727 34987	27761-6	1 7/8" Hole Location "A"
R307582	26727	27761-8	2 1/4" Hole Location "A"



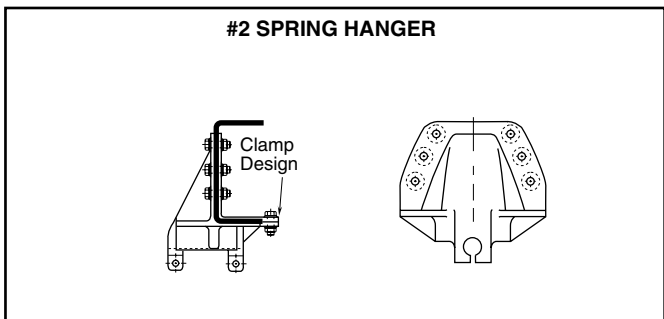
MERITOR NO.	HENDRICKSON CASTING NO.	REPLACES HENDRICKSON NO.
N/A	46278-1	46331-1



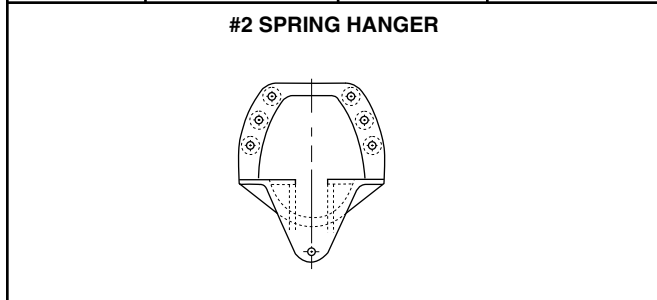
MERITOR NO.	HENDRICKSON CASTING NO.	REPLACES HENDRICKSON NO.
R307584	30248-4	30249-4



MERITOR NO.	REPLACES	CASTING NO.	FOR MODEL
R3010266	Hendrickson 50189-006 46834-003	50188-000	Navistar Only



MERITOR NO.	REPLACES	CASTING NO.	FOR MODEL
R3010276	Hendrickson 50191-004	50190 59756	Freightliner Only

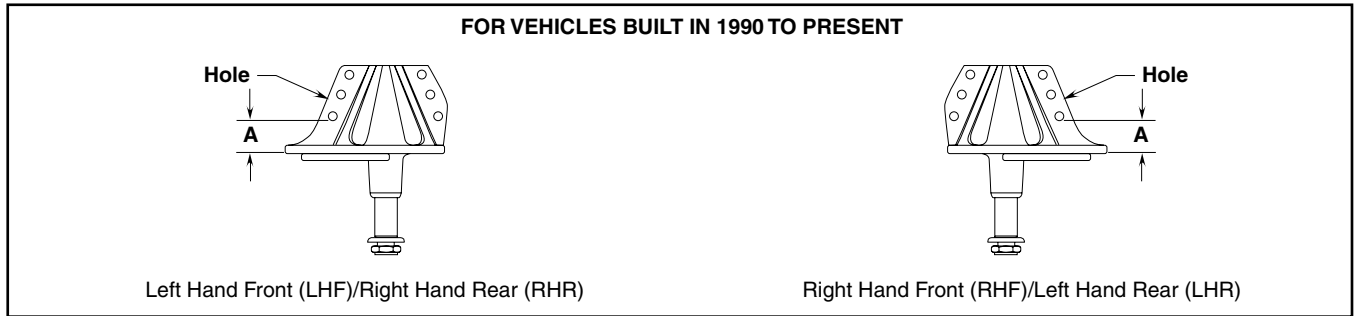


MERITOR NO.	REPLACES	CASTING NO.	FOR MODEL
R3010277	Hendrickson 50191-006	50190 59756	Navistar Only

HENDRICKSON SUSPENSION PARTS

RS Series Frame Hangers FOR VEHICLES BUILT IN 1990 TO PRESENT

RS SERIES FRAME HANGERS



FOR FRAME WIDTH OF 33.94" TO 34.19", .09" OFFSET

MERITOR NO.	HENDR. CASTING NO.	REPLACES HENDRICKSON NO.	HOLE DIA.	"A" DIM.	POSITION	APPLICATION & GENERAL INFORMATION
R3010068	57063, 48219	57065-1, 48220-1	.83"	2.59"	LHF/RHR	Ford, 3/4" Bolts
R3010069	57063, 48219	57065-2, 48220-2	.66"	2.59"	LHF/RHR	5/8" Bolts
R3010070	57063, 48219	57065-3, 48220-3	.66"	2.59"	LHF/RHR	Peterbilt
R3010071	57066, 48221	57068-1, 48222-1	.83"	2.59"	RHF/LHR	Ford, 3/4" Bolts
R3010072	57066, 48221	57068-2, 48222-2	.66"	2.59"	RHF/LHR	5/8" Bolts
R3010073	57066, 48221	57068-3, 48222-3	.66"	2.59"	RHF/LHR	Peterbilt, 5/8" Bolts

CAUTION: Do not interchange Old Style RS Hangers with New Style on a vehicle.
Hangers must be replaced in sets.

HENDRICKSON SUSPENSION PARTS

RS Series Frame Hangers FOR VEHICLES BUILT IN 1990 TO PRESENT (Continued)

FOR FRAME WIDTH OF 34.5" TO 34.75", .34" OFFSET

MERITOR NO.	HENDR. CASTING NO.	REPLACES HENDRICKSON NO.	HOLE DIA.	"A" DIM.	POSITION	APPLICATION & GENERAL INFORMATION
R3010062	57057, 48215	57059-1, 48216-1	.83"	2.59"	LHF/RHR	Ford, 3/4" Bolts
R3010063	57057, 48215	57059-2, 48216-2	.66"	2.59"	LHF/RHR	5/8" Bolts
R3010064	57057, 48215	57059-3, 48216-3	.66"	2.59"	LHF/RHR	Freightliner, Peterbilt
N/A	57060, 48217	57062-1, 48218-1	.83"	2.59"	RHF/LHR	Ford, 3/4" Bolts
R3010066	57060, 48217	57062-2, 48218-2	.66"	2.59"	RHF/LHR	5/8" Bolts
N/A	57060, 48217	57062-3, 48218-3	.66"	2.59"	RHF/LHR	Freightliner, Peterbilt

FOR FRAME WIDTH OF 34.81" TO 35", .5" OFFSET

R3010060	57051, 48211	57053-1, 48212-1	.83"	2.59"	LHF/RHR	Ford, Navistar
R3010061	57054, 48213	57056-1, 48214-1	.83"	2.59"	RHF/LHR	Ford, Navistar

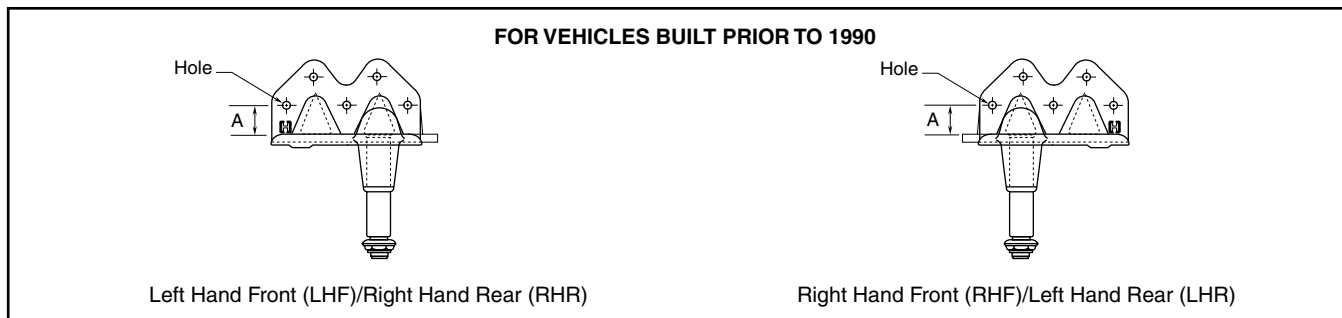
N/A = Parts No Longer Available

Continued on next page

HENDRICKSON SUSPENSION PARTS

RS Series Frame Hangers FOR VEHICLES BUILT IN 1990 TO PRESENT (Continued)

FOR FRAME WIDTH OF 34.5" TO 34.75", .34" OFFSET



MERITOR NO.	HENDR. CASTING NO.	REPLACES HENDRICKSON NO.	HOLE DIA.	"A" DIM.	POSITION	APPLICATION & GENERAL INFORMATION
R302598A Undrilled	47083 09494, 23603 31641, 44116	47355-003	—	—	LHF/RHR	Drill holes to fit application.
R307599	47083, 09494	47084-001	.83"	2.59"	LHF/RHR	Ford
R307600	47083, 09494	47084-002	.66"	2.25"	LHF/RHR	Freightliner, HME, Kenworth, Mack, Marmon, Navistar, Oshkosh, Pierce, Western Star
R307601	47083, 09494	47084-003	.66"	2.59"	LHF/RHR	Peterbilt
R302599A Undrilled	47085 09493, 23604 31642, 44117	47355-004	—	—	RHF/LHR	Drill holes to fit application.
R307602	47085, 09493	47086-001	.83"	2.59"	RHF/LHR	Ford
R307603	47085, 09493	47086-002	.66"	2.25"	RHF/LHR	Freightliner, HME, Kenworth, Mack, Marmon, Navistar, Oshkosh, Pierce, Western Star
R307604	47085, 09493	47086-003	.66"	2.59"	RHF/LHR	Peterbilt

FOR FRAME WIDTH OF 34.5" TO 34.75", .34" OFFSET

R302600A Undrilled	47087, 09497	47355-005	—	—	LHF/RHR LHF/RHR	Drill holes to fit application.
R307606	47087, 09497	47088-002	.66"	2.25"	LHF/RHR	Crane Carrier, GMC, Mack, Navistar, Volvo
R307607	47087	47088-003	.66"	2.59"	LHF/RHR	Freightliner, Peterbilt
R302601A Undrilled	47089, 09498	47355-006	—	—	RHF/LHR	Drill holes to fit application.
R307608	47089	47090-001	.83"	2.59"	RHF/LHR	Ford
R307609	47089, 09498	47090-002	.66"	2.25"	RHF/LHR	Crane Carrier, GMC, Mack, Navistar, Volvo
R307610	47089	47090-003	.66"	2.59"	RHF/LHR	Freightliner, Peterbilt

CAUTION: Cannot interchange Old Style RS Hangers with New Style on a vehicle.
Hangers must be replaced in sets.

(Continued on next page)

HENDRICKSON SUSPENSION PARTS

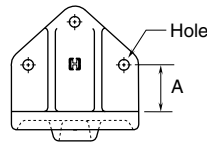
RS Series Frame Hangers

FOR VEHICLES BUILT PRIOR TO 1990 (Continued)

FOR FRAME WIDTH OF 34.81" TO 35", .5" OFFSET

MERITOR NO.	HENDR. CASTING NO.	REPLACES HENDRICKSON NO.	HOLE DIA.	"A" DIM.	POSITION	APPLICATION & GENERAL INFORMATION
R307611 Undrilled	46759, 34098	47355-009	—	—	LHF/RHR	Drill holes to fit application.
N/A Undrilled	46758, 34099	47355-010	—	—	RHF/LHR	Drill holes to fit application.

RS SERIES HEAVY-DUTY FRAME HANGERS



FOR FRAME WIDTH OF 33.94" TO 34.19", .09" OFFSET

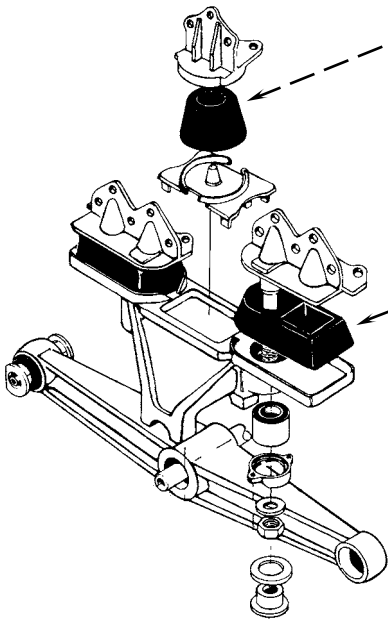


MERITOR NO.	HENDR. CASTING NO.	REPLACES HENDRICKSON NO.	HOLE DIA.	"A" DIM.	POSITION	APPLICATION & GENERAL INFORMATION
R307617	48522, 20780	48523-001	.66"	1.88"	Center	Crane Carrier, Freightliner (Pre-1984), Mack, Marmon, Navistar, Western Star (Pre-1988)
R307618	48522, 20780	48523-003	.66"	2.25"	Center	Freightliner, HME, Peterbilt

FOR FRAME WIDTH OF 34.5" TO 34.75", .34" OFFSET





R307619	48524, 30088	48525-001	.66"	2.25"	Center	Freightliner, Mack, Peterbilt, Volvo/GM
---------	--------------	-----------	------	-------	--------	---

CAUTION: Cannot interchange Old Style RS Hangers with New Style on a vehicle.
Hangers must be replaced in sets.







HENDRICKSON LOAD CUSHIONS - RS 400

HENDRICKSON SUSPENSION PARTS RS 400 SERIES 	LOAD CUSHION		MERITOR NO.	REPLACES	SERIES
			R302232	Hendrickson 24209	For RS Series
	LOAD CUSHION Hendrickson Part No. Located Here for Identification 		R301598A	Hendrickson 48973 (New) 60 Durometer	RS 400
	4" High x 6 3/4" Wide x 12" Long		R301960	Hendrickson 26953-000L	
LOAD CUSHION	NO. REQ.	USAGE		DUROMETER	
R301598A Front	2 2	Highway Operation Truck, Tractor or Trailer		60 Natural Rubber 40 Natural Rubber	
R301598A	4	Dump Trucks, End Dump Trucks Transit Mix Trucks, Logging Trucks		60 Natural Rubber	
R301960	4	Transit Mix Trucks (washed with Kerosene) Oil Field Trucks		70 Natural Rubber	

HENDRICKSON RS SERIES SUSPENSION PARTS

SADDLE BUSHING ASSEMBLY 	MERITOR NO.	REPLACES	PART SPECIFICATIONS			APPLICATION & GENERAL INFORMATION
			O.D.	I.D.	LENGTH	
	R301940 (Rubber)	Hendrickson 19279-000L GMC 2425394 Ford C3TZ-5A598A Navistar 868789R91 Volvo 498407A	4 1/8"	2"	4"	RS/AR 400 Series
	R309515 (Poly)					
SADDLE BUSHING CAP 	R301941	Hendrickson 5917 GMC 2328707 Ford C3TZ-5A599A Navistar 132917R1 Volvo 448408	—			4 per Tandem
SADDLE BUSHING CAP STUD 	R301942	Hendrickson 19111-1 Navistar 680076R1 Volvo 868330	5/8" -18 5/8" -11 Thread		2 7/8" Long	RS/AR 400 Series
FRAME HANGER PIN WASHER 	R301945 Pressed Steel	Hendrickson 8536 GMC 2327413 Ford 334502 Navistar 138725R1 Volvo 870866	O.D.	I.D.	THICKNESS	RS/AR 400 Series
			3 1/4"	1 1/2"	3/16"	

HENDRICKSON RS & SR SERIES SUSPENSION PARTS

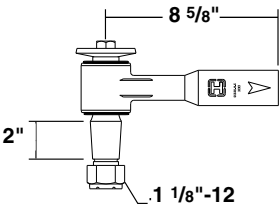
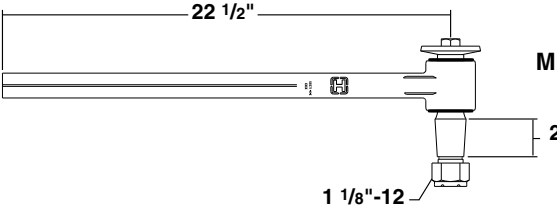
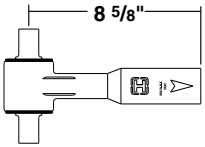
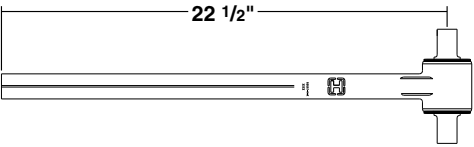
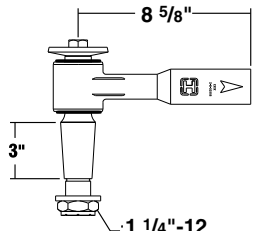
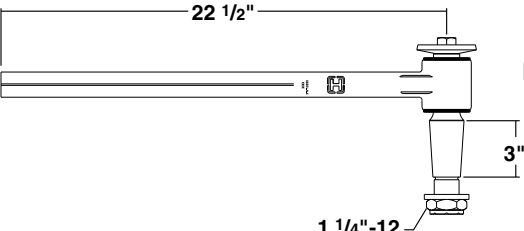
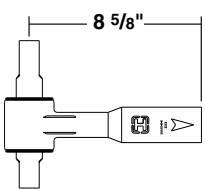
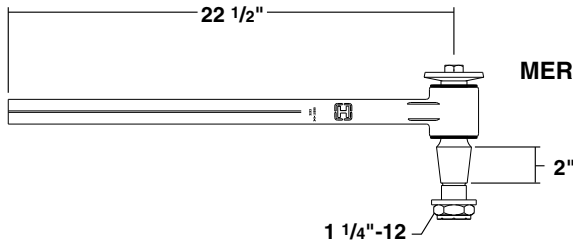
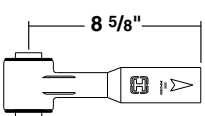
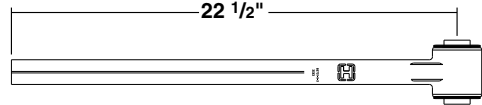
SHEAR SPRING 	MERITOR NO. R301948	REPLACES Hendrickson 15137 GMC 2454867 Ford C6TZ-5899A Navistar 276348C1 Volvo 889364	PART SPECIFICATIONS			APPLICATION & GENERAL INFORMATION SR 400 Series 8 per Tandem
			O.D. 6 15/16"	I.D. 3"	HIGH 3 5/8"	
DISCONTINUED FRAME HANGER PIN NUT 	R301946	Hendrickson 25151	1 1/2" -12 Thread x 2 3/16" HexHigh		3/16"	RS, SR, AR 400 Series
LOCK NUT 	R301943	Hendrickson 19114 GMC 9416310 Navistar 685548R1 Volvo 868331	5/8" -18 Thread x 15/16" Hex		35/64" High	Use with R301942 Stud
REBOUND BUMPER 	R302233	Hendrickson 30208	O.D. 4 7/16"	I.D. 2 3/8"	THICKNESS 1/2"	RS 400
SADDLE BUSHING RING 	R309418	Hendrickson 50780-000	O.D. 4 13/64"	I.D. 3 23/32"	THICKNESS 3/32"	RS Series
RS SERIES STOP NUT 	R307620	Hendrickson 30251	O.D. 4 5/16"	THREAD 1 1/2"-12		For all RS Series.

1

HENDRICKSON ULTRA ROD[®] RUBBER BUSHED TORQUE RODS

with Replaceable Cartridge Ends

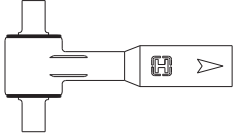
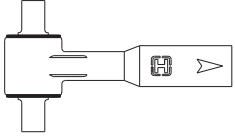
Assemble According to Instructions.
Instructions Included with Each Rod

<p>TAPERED STUD TUBE END 340 SERIES</p>  <p>MERITOR R3010311 Hendrickson 66620-000H</p> <p>For replacement bushing use R3010308</p>	<p>TAPERED STUD ROD 340 SERIES</p>  <p>MERITOR R3010316 Hendrickson 66671-000H</p> <p>For replacement bushing use R3010308</p>
<p>STRADDLE MOUNT TUBE END 340/400/460</p>  <p>MERITOR R3010310 Hendrickson 66610-000H</p> <p>For replacement bushing use R305275</p>	<p>STRADDLE MOUNT ROD 340/400/460</p>  <p>MERITOR R3010315 Hendrickson 66661-000H</p> <p>For replacement bushing use R305275</p>
<p>TAPERED STUD - TUBE END 400/460</p>  <p>MERITOR R3010312 Hendrickson 66630-000H</p> <p>For replacement bushing use R3010309</p>	<p>TAPERED STUD ROD 400/460</p>  <p>MERITOR R3010317 Hendrickson 66681-000H</p> <p>For replacement bushing use R3010309</p>
<p>STRADDLE MOUNT OFFSET TUBE END INTERNATIONAL</p>  <p>MERITOR R3010313 Hendrickson 66640-000H</p> <p>For replacement bushing use R3010320 (offset pin)</p>	<p>TAPERED STUD ROD MACK</p>  <p>MERITOR R3010318 Hendrickson 66691-000H</p> <p>For replacement bushing use R3010321</p>
<p>INNER SLEEVE TUBE END INTERNATIONAL</p>  <p>MERITOR R3010314 Hendrickson 66650-000H</p> <p>For replacement bushing use R3011447</p>	<p>INNER SLEEVE ROD INTERNATIONAL</p>  <p>MERITOR R3010319 Hendrickson 66701-000H</p> <p>For replacement bushing use R3011447</p>

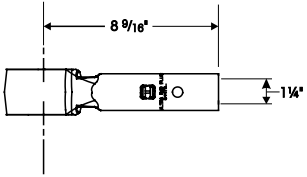
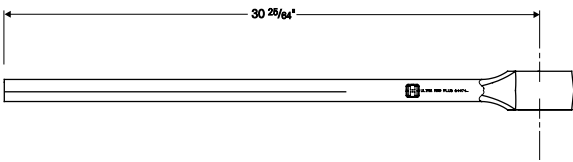
HENDRICKSON ULTRA ROD® RUBBER BUSHED TORQUE RODS

with Replaceable Cartridge Ends

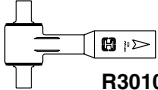
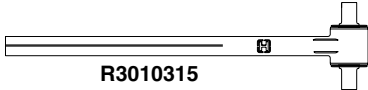
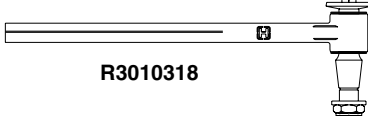
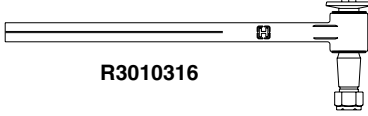
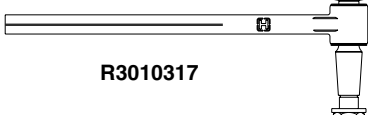
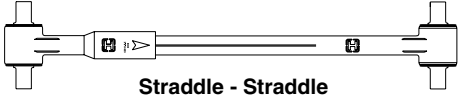
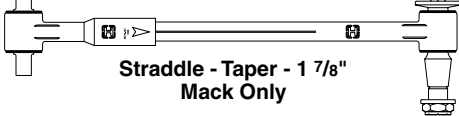
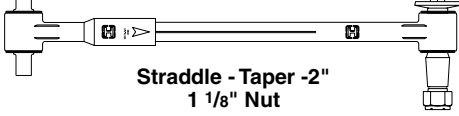
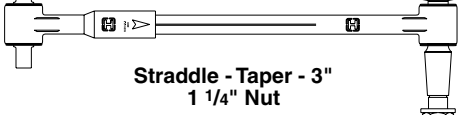
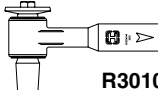
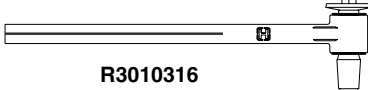

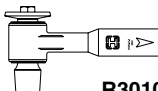
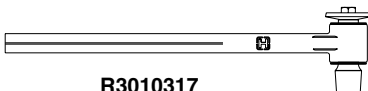

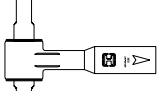
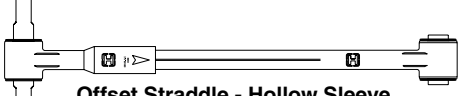
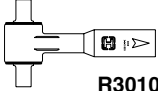
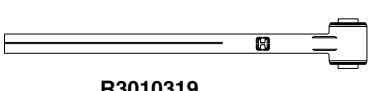
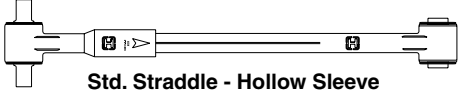


Assemble According to Instructions.
Instructions Included with Each Rod

STRADDLE MOUNT TUBE END	STRADDLE MOUNT TUBE END
 <p data-bbox="594 422 821 499">MERITOR R3011748 Hendrickson 66767-000H</p> <p data-bbox="334 604 716 653">Bolt Hole size 3/4" For replacement bushing use R3010322</p>	 <p data-bbox="1287 422 1515 499">MERITOR R3011784 Hendrickson 66766-000H</p> <p data-bbox="1019 604 1365 653">Bolt Hole size 7/8" For replacement bushing use S.O.S.</p>

HENDRICKSON ULTRA ROD® PLUS™



FEMALE TUBE END	MALE SPACER ROD END
 <p>MERITOR R3011820 Hendrickson 64473-000</p>	 <p>MERITOR R3011821 Hendrickson 64474-000</p>
Use with any Clevite Style Cartridge	Use with any Clevite Style Cartridge
<p>An excellent replacement option for vocational and on-highway applications. Tube and spacer are made from one-piece forgings. The empty end-hubs allow the use of any cartridge from existing inventory</p>	

HENDRICKSON RUBBER BUSHED TORQUE RODS

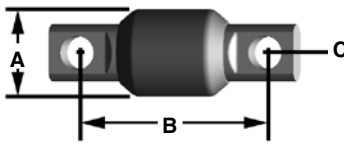
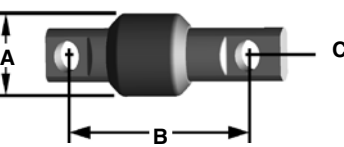
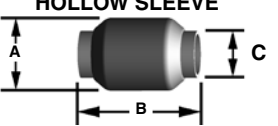
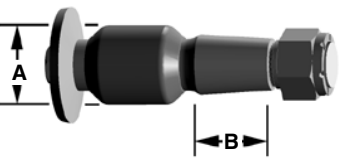
This	TUBE END	welded to this	ROD END	makes this	COMBINATION
			 R3010315  R3010318  R3010316  R3010317		 Straddle - Straddle  Straddle - Taper - 1 7/8" Mack Only  Straddle - Taper - 2" 1 1/8" Nut  Straddle - Taper - 3" 1 1/4" Nut
			 R3010316		 Straddle - Taper - 2" 1 1/8" Nut
			 R3010317		 Straddle - Taper - 3" 1 1/4" Nut
					 Offset Straddle - Hollow Sleeve
			 R3010319		 Std. Straddle - Hollow Sleeve
					 Hollow Sleeve - Hollow Sleeve
	For NAVISTAR (IHC) Only				
	* R3010313 & R3010310 are not interchangeable				

HENDRICKSON RUBBER BUSHED TORQUE RODS

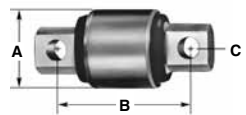
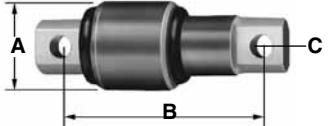
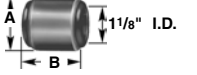

LOCK NUT For Torque Rods

	MERITOR NO.	REPLACES	THREAD	HEX	HIGH	SERIES
	R302079	Hendrickson 29896	1 1/8"-12	1 5/8"	1 3/16"	340
	R302017	Hendrickson 29749	1 1/4"-12	1 13/16"	11/16"	400, 460
	MERITOR NO.	REPLACES	O.D.	I.D.	THICK	SERIES
	R302018	Hendrickson 30574	2 1/4"	1 5/16"	1/4"	400, 460




REPLACEMENT BUSHINGS FOR HENDRICKSON ULTRA RODS

 <p>STRADDLE MOUNT</p>	MERITOR NO.	REPLACES	A	B	C	SERIES
	R305275	47691-000L	2.04	4 3/8"	5/8"	340, 400, 460
	R3010322	69210-000H	2.04	4 3/8"	3/4"	400, 460
 <p>OFFSET STRADDLE MOUNT</p>	R3010320	66734-000H	2.04	5 11/16"	3/4"	International
 <p>HOLLOW SLEEVE</p>	R3011447	65477-000H	2.04	3 1/4"	1 1/8"	International
 <p>TAPERED STUD</p>	R3010308	64809-000H	2.04	2"	—	340
	R3010309	64697-000H	2.04	3"	—	400, 460
	R3010321	66735-000H	2.04	1 7/8"	—	Mack

REPLACEMENT CARTRIDGES For Clevite Style Torque Rod


 <p>STRADDLE MOUNT</p>	MERITOR NO.	REPLACES	A	B	C	SERIES
	R302225	Clevite 227710	2 17/32"	4 3/8"	5/8"	340
	R302226	Clevite 227720	2 3/4"	4 3/8"	5/8"	400, 460
 <p>OFFSET STRADDLE MOUNT</p>	R303868	Clevite 227723	2 3/4"	4 3/8"	3/4"	400, 460
	R302814	Clevite 233931 (Offset Pin)	2 3/4"	5 11/16"	3/4"	Navistar
 <p>HOLLOW SLEEVE</p>	R303411	Clevite 4224001 Navistar 438506C91	3"	5 11/16"	3/4"	
	R302816	Clevite 229612	2 3/4"	3 1/4"	—	Navistar
 <p>TAPERED STUD</p>	R302238	Clevite 224993	3"	3 1/4"	—	Navistar
	R302916	Clevite 233890	2 3/4"	2"	—	340
	R302227	Clevite 229270	2 17/32"	2"	—	340
	R302228	Clevite 229610	2 3/4"	3"	—	400, 460
	R302815	Clevite 229240	2 3/4"	1 7/8"	—	Mack

TORQUE ROD BUSHING & SHAFT FOR HENDRICKSON TANDEM

	MERITOR NO.	REPLACES	O.D.	I.D.	LENGTH	APPLICATION
	R301353	Hendrickson 27210 Navistar 124755R1	1 1/8"	—	7"	—
	R301351	Hendrickson 24504 Navistar 124759	2 7/8"	1 1/8"	3 1/4"	Used on Navistar, Ford, Volvo & Others. Use with R301353 Shaft & R301354 Nut
	R302238	Hendrickson 45477 Navistar 32206961	3"			
	R301352	Hendrickson 44993 Navistar 124890R91	3 3/8"			
	R301354	Hendrickson 27204 Navistar 427655	THREAD	HEX	HIGH	—
			1 1/8"-12	1 11/16"	1"	


1

HENDRICKSON TORQUE ROD BRACKETS

FRAME BRACKET	MERITOR NO.	REPLACES	A DIMENSION	SERIES
<p>Straddle Mount 5/8" Bolt Mounting</p> 	R302634	Hendrickson 22186-000	1 29/32"	400, 460



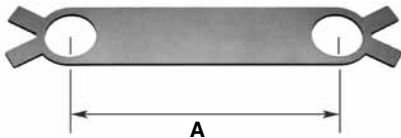

NOTE: Torque Rod Axle Brackets for Drive Axles are Supplied by the Axle Manufacturer

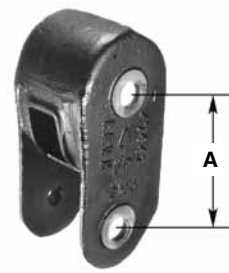

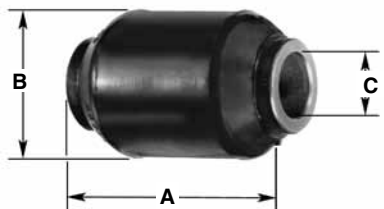

HENDRICKSON E4 SERIES SUSPENSION PARTS

EQUALIZER		
 <p>All Bushings Included</p>		
MERITOR NO.	REPLACES	A
R305265	Hendrickson 47444-001, E4-360 (Casting No. 47437) Ford E4HZ5889A	14"

EQUALIZER CENTER BUSHING				
				
MERITOR NO.	REPLACES	O.D.	I.D.	LENGTH
R305269	Hendrickson 47420-000, E4-360 E4-400 Ford E4HZ5872A	2 3/4"	1"	4 5/8"

HENDRICKSON E4 SERIES SUSPENSION PARTS

SHACKLE Left Front and Right Rear				
				
MERITOR NO.	REPLACES		A	
R305267	Hendrickson 47440 (Casting No. 47439) Ford E4HZ5776A		5"	
EQUALIZER END/SPRING EYE BUSHING				
				
MERITOR NO.	REPLACES	O.D.	I.D.	LENGTH
R305270	Hendrickson 47421, E4-360 Ford E4HZ5872A	2 3/8"	7/8"	3"
SHACKLE BOLT RETAINER				
				
MERITOR NO.	REPLACES	A	NOTE	
R305274	Hendrickson 47459 Ford EHZ5A879A	5"	Crimp tabs over head of bolt to prevent bolt turning.	
TORQUE ARM BOLT ASSEMBLY Hanger End				
				
MERITOR NO.	REPLACES		BOLT DIMENSION	
R305277	Hendrickson 30587-17 Bolt 30585 Nut 22962-4 Washer	5/8"-18 Thd. x 4 1/2" Length		

SHACKLE Right Front and Left Rear				
				
MERITOR NO.	REPLACES		A	
R305268	Hendrickson 47442 (Casting No. 47441) Ford E4HZ5776B		5"	
TORQUE ARM BUSHING Hanger End				
				
MERITOR NO.	REPLACES	A	B	
R305275	Hendrickson 47691-000L	4 3/8"	2"	
TORQUE ARM BUSHING Axle Seat End				
				
MERITOR NO.	REPLACES	A	B	C
R305276	Hendrickson 47692	3"	2"	7/8"
TORQUE ARM BOLT ASSEMBLY Axle Seat End				
				
MERITOR NO.	REPLACES		BOLT DIMENSION	
R305278	Hendrickson 30418-9 Bolt 29248 Nut 22962-002 Washer	7/8"-14 Thd. x 5 1/2" Length		

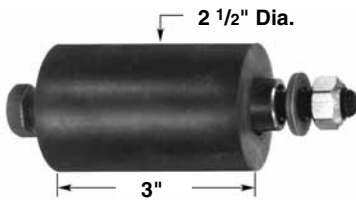
HENDRICKSON E4 SERIES SUSPENSION PARTS

SPRING ROLLER ASSEMBLY



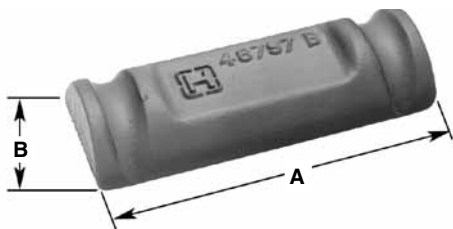
MERITOR NO.	REPLACES	BOLT DIMENSIONS
R305286	Hendrickson 24531-14 Bolt 47458 Spacer 46578 Nut 22962-14 Washer	1/2" x 5" Length

REBOUND ROLLER KIT



MERITOR NO.	REPLACES	BOLT DIMENSIONS
R309432	Hendrickson 49175-005 Assembly 24531-015 Bolt 57988-000 Spacer 57989-000 Roller 22962-014 Washer 49846-000 Nut	1/2"-20 Thd. x 5 1/2"

TOP PAD



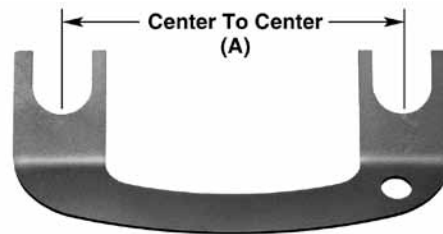
MERITOR NO.	REPLACES	A	B
R303739	Hendrickson 48797	8 1/4"	3"

TORQUE ARM - FRONT AND REAR Shim Type Adjustable



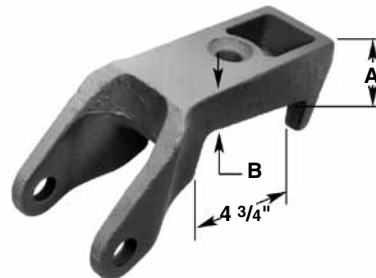
MERITOR NO.	REPLACES	LENGTH Center-to-Center
R305282	Hendrickson 48158-01 Ford E4HZ4612A	15 7/8"
R305283	Hendrickson 48158-02 Ford E4HZ4612B	21 15/16"

ALIGNMENT SHIM






MERITOR NO.	REPLACES	A	THICKNESS
R305281	Hendrickson 47457 Ford E4HZ4A002A	4 3/8"	1/16"

SPRING SEAT FRONT 5.25" AND REAR AXLE 8°



MERITOR NO.	REPLACES	A	B
R305292	Hendrickson 47973 (Casting No. 47961) Ford E4HZ5793C	1 7/8"	1 7/16"
N/A	Hendrickson 47974 (Casting No. 48072) Ford E4Hz5793D	2"	1 3/8"

HENDRICKSON E4 SERIES SUSPENSION PARTS

FRONT HANGER	MERITOR NO.	REPLACES	CASTING NO.
	R305299	Hendrickson 56673-01 Ford E4HZ5775A	47431
CENTER HANGER	MERITOR NO.	REPLACES	CASTING NO.
	R305300	Hendrickson 47434-2	43433
REAR HANGER	MERITOR NO.	REPLACES	CASTING NO.
	R305301	Hendrickson 547436-3 Ford E5HZ5775A	47435

HENDRICKSON HFS-360/400 SUSPENSION PARTS

EQUALIZER



Includes bushing, rebound pins, cotter keys and washers.

MERITOR NO.	REPLACES	CASTING NO.	FOR MODEL
R309402	Hendrickson 49803-002	49801-002	HFS-360, HFS-400 Uses R305269 Bushings

TORQUE ARM FASTENER KIT



MERITOR NO.	REPLACES	BOLT DIMENSION
R305277	Hendrickson 49176-001 (Assembly) 32043-005 Bolt 22962-004 Washer 47764-000 Nut	5/8" x 4 1/2"

TORQUE ARM



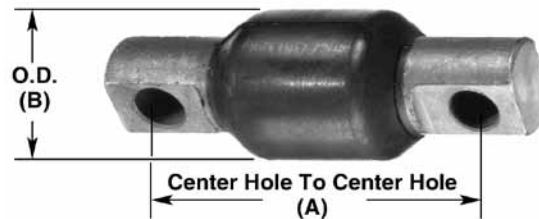
MERITOR NO.	REPLACES	LENGTH Center-To-Center
R309409 Front	Hendrickson 48411-006	14 13/32"
R309407 Rear	Hendrickson 48411-007	20 5/16"

EQUALIZER BUSHING



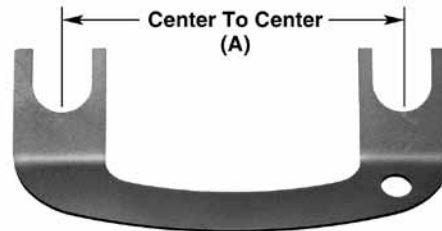
MERITOR NO.	REPLACES	O.D.	I.D.	LENGTH	FOR MODEL
R305269	Hendrickson 47420-000	2 3/4"	1"	4 5/8"	HFS-360, HFS-400

TORQUE ARM BUSHING



MERITOR NO.	REPLACES	A	B
R305275	Hendrickson 47691-000L	4 3/8"	2"

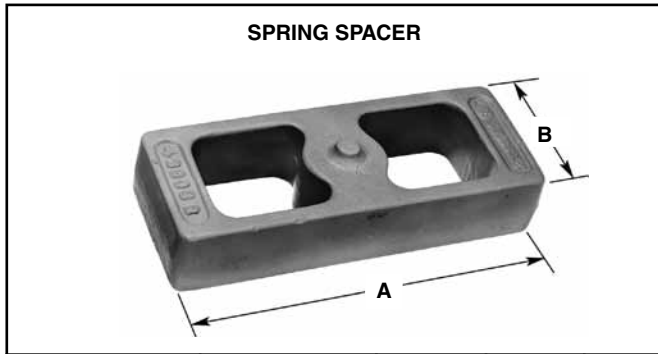
ALIGNMENT SHIM



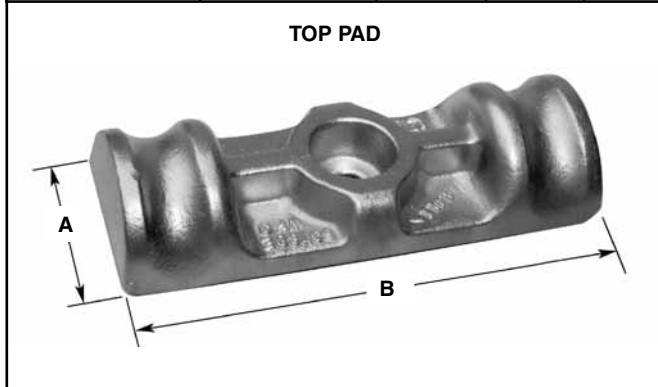
MERITOR NO.	REPLACES	A	THICKNESS
R305281	Hendrickson 47457 49689-000 Ford E4HZ4A002A	4 3/8"	1/16"

1

HENDRICKSON HFS-360/400 SUSPENSION PARTS



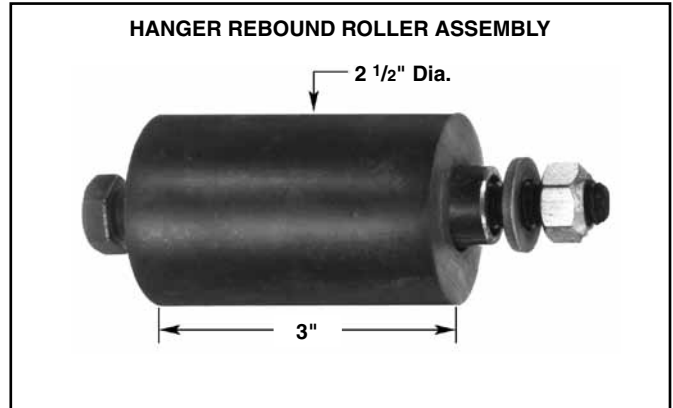
MERITOR NO.	REPLACES	HEIGHT	A	B
R303740	Hendrickson 48902-000	1"	7 3/4"	3"
R303741	Hendrickson 48903-000	1 1/2"	7 3/4"	3"



MERITOR NO.	REPLACES	A	B
R309408	Hendrickson 50788-000	3"	8 5/16"



MERITOR NO.	REPLACES	CASTING NO.	FOR MODEL
R309404	Hendrickson 56667-001 (New) 50027-001 (Old)	56666-000 49848-000	HFS-360
R309405	Hendrickson 56670-001 (New) 50292-001 (Old)	56669-000 50291-000	HFS-400



MERITOR NO.	REPLACES	BOLT DIMENSION
R309432	Hendrickson 49175-005 (Assembly) 24531-015 Bolt 57988-000 Spacer 57989-000 Roller 22962-014 Washer 49846-000 Nut	1/2"-20 Thd. x 5 1/2"



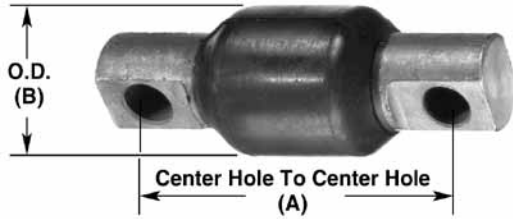
MERITOR NO.	REPLACES	CASTING NO.	FOR MODEL
R309400	Hendrickson 56676-001 (New) 50290-001 (Old)	56675-000 50289-000	HFS-360, 400



MERITOR NO.	REPLACES	CASTING NO.	FOR MODEL
R309406	Hendrickson 50028-001	49954-000	HFS-360, 400

HENDRICKSON HA & HAS-360/400/402/460 PARTS

TORQUE ARM BUSHING



MERITOR NO.	REPLACES	A	B	FOR MODEL
R305275	Hendrickson 47691-000L	4 3/8"	2"	HA & HAULMAAX HAS-360/ 400/402
R309395	Hendrickson 57256-000	4 3/8"	2 7/16"	HAS-460

TORQUE ARM Used with Model HA



MERITOR NO.	REPLACES	LENGTH Center-to-Center
R303731	Hendrickson 48411-1	15 27/32"
R303732	Hendrickson 48411-2	21 15/16"

U-BOLT STEEL CONE WASHER



MERITOR NO.	REPLACES	GENERAL INFORMATION
R303738	Hendrickson 48574-000L	Used to Center U-Bolts in Axle Seats

BOTTOM PLATE STUD



MERITOR NO.	REPLACES	GENERAL INFORMATION
R303755	Hendrickson 49063	5/8"-11 Thd. x 3 13/16" Length Included in all Bottom Plates

TORQUE ARM BOLT ASSEMBLY



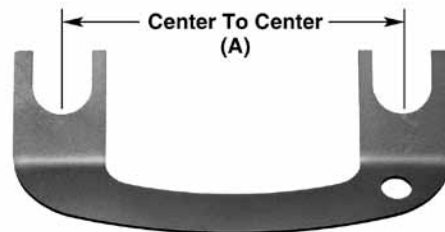
MERITOR NO.	REPLACES	BOLT DIMENSION
R305277	Hendrickson 30587-17 Bolt 30585 Nut 22962-4 Washer	5/8"-18 Thd. x 4 1/2" Length

TORQUE ARM



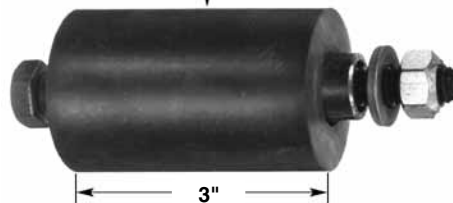
MERITOR NO.	REPLACES	LENGTH Center-To-Center	FOR MODELS
R309409	Hendrickson 48411-006	14 13/32"	HAS-360/ 400/402
R309394	Hendrickson 50376-001	14 13/32"	HAS-460

ALIGNMENT SHIM



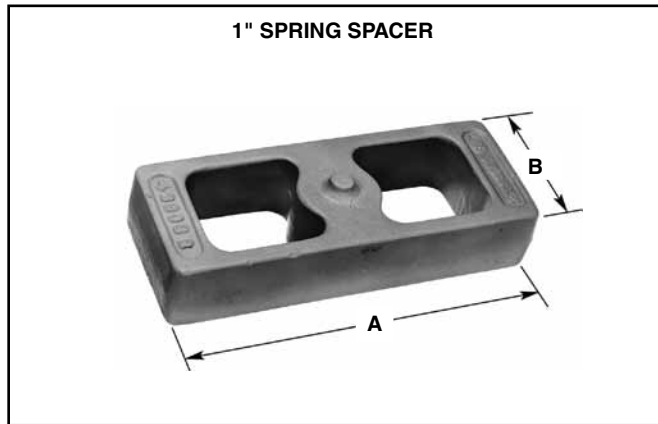
MERITOR NO.	REPLACES	A	THICKNESS	FOR MODEL
R305281	Hendrickson 47457-000	4 3/8"	1/16"	HA, HAS PRIMAAX / FIREMAX

SPRING ROLLER ASSEMBLY 2 1/2" Dia.

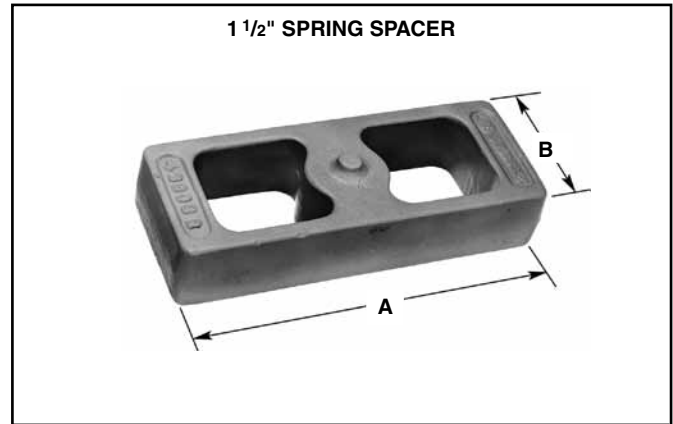


MERITOR NO.	REPLACES	BOLT DIMENSION
R309432	Hendrickson 24531-015 Bolt 57988-000 Spacer 49846-000 Nut 22962-014 Washer 57989-000 Roller	1/2"-20 Thd. x 5 1/2" Length

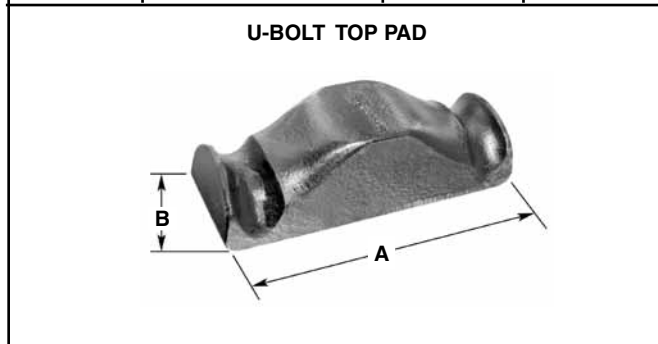
HENDRICKSON HA & HAS-360/400/402/460 PARTS



MERITOR NO.	REPLACES	A	B
R303740	Hendrickson 48902-000	7 3/4"	3"



MERITOR NO.	REPLACES	A	B
R303741	Hendrickson 48903-000	7 3/4"	3"



MERITOR NO.	REPLACES	A	B
R308926	Hendrickson 49337	8 1/4"	3"



MERITOR NO.	REPLACES	PINION ANGLE DEGREE	POSITION	CASTING NO.
R303753A	Hendrickson 49138	9.5°-12°	Left Rear	48916
R303754A	Hendrickson 49139	9.5°-12°	Right Rear	48919



MERITOR NO.	REPLACES	GENERAL INFORMATION
R309391	Hendrickson 56557-002 (Assembly) 50612-000 Pad 50597-000 Plate 57306-000 Screw	For All HAS Models Includes: 1 Pad 2 Plate 4 Self-Tapping Screw



MERITOR NO.	REPLACES	CASTING NO.
R305299	Hendrickson 56673-1	47431

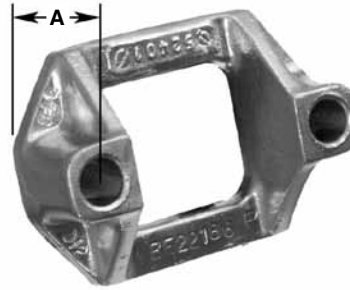
HENDRICKSON HA & HAS-360/400/402/460 PARTS

**LEVELING VALVE
BARKSDALE TYPE**



MERITOR NO.	REPLACES	GENERAL INFORMATION
R3011494	Hendrickson 60826-000 50433-001 50433-002	Use R303760A Leveling Valve Link Assembly

TRANSVERSE ROD FRAME BRACKET



MERITOR NO.	REPLACES	A
R302634	Hendrickson 22186-000	1 29/32"

1

FRONT SPRING HANGER



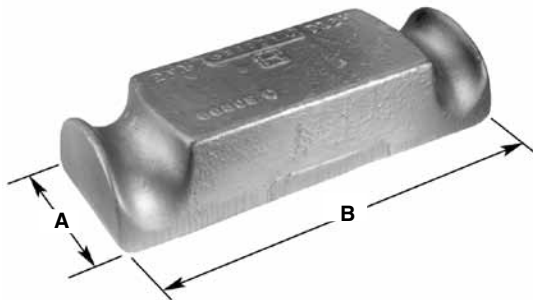
MERITOR NO.	REPLACES	GENERAL INFORMATION	CASTING NO.
R309386	Hendrickson 50752-001	For HAS-400/ 402/460	56669-1 or 50291

FRONT SPRING HANGER



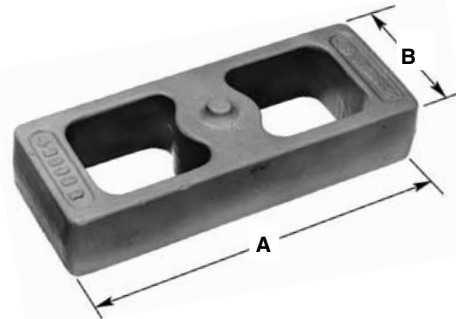
MERITOR NO.	REPLACES	GENERAL INFORMATION	CASTING NO.
R309387	Hendrickson 50753-001	For HAS-360	56669-1 with Slipper Pad

TOP PAD



MERITOR NO.	REPLACES	A	B
R309397	Hendrickson 56805-000	3"	8 1/8"

SPRING SPACER

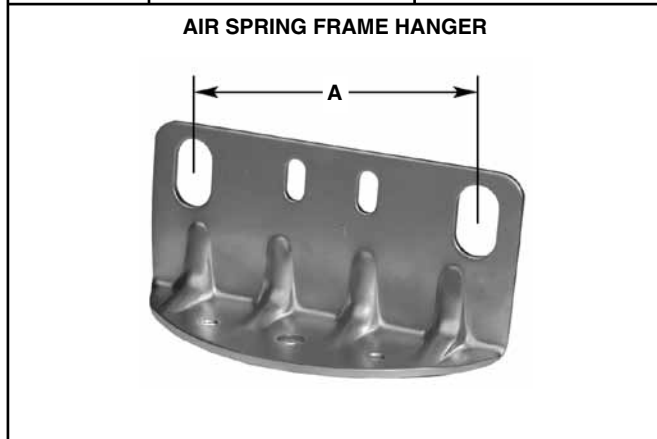


MERITOR NO.	REPLACES	HEIGHT	A	B
R303740	Hendrickson 48902-000	1"	7 3/4"	3"
R303741	Hendrickson 48903-000	1 1/2"	7 3/4"	3"

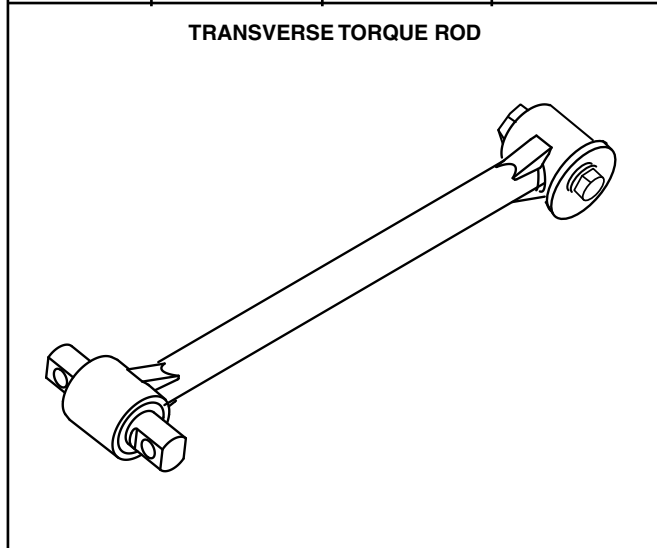
HENDRICKSON SUSPENSION PARTS



MERITOR NO.	REPLACES	GENERAL INFORMATION
R309390	Hendrickson 57322-001 (Assembly) 50368-000 Bolt 22962-031 Washer 49846-000 Nut	For All HAS Models Includes: Hanger, Stud, Washer and Nut



MERITOR NO.	REPLACES	GENERAL INFORMATION	"A" Center-to-Center
R309392	Hendrickson 50804-002	7 3/4" x 3 7/8" x 2 3/4"	6"



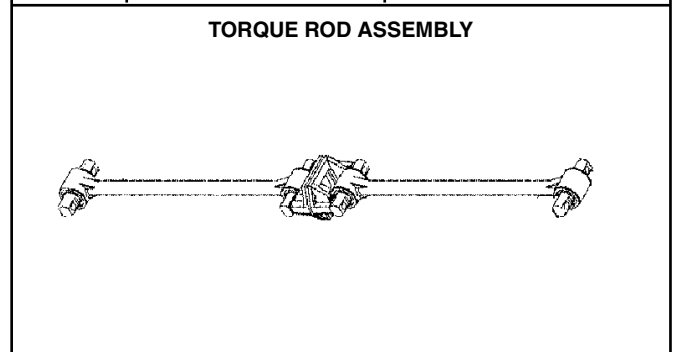
MERITOR NO.	REPLACES	GENERAL INFORMATION
R3013988	Hendrickson 60215-000	Used on Hendrickson HN-402/462/522.



MERITOR NO.	REPLACES	GENERAL INFORMATION
R309384	Hendrickson 50763-001	Contains: 4 Bolts 3/4" x 3 4 Bolts 3/4" x 2 1/2" 16 Washers 8 Lock Nuts
R309385	Hendrickson 50763-003	Contains: 4 Bolts 3/4" x 3 4 Bolts 3/4" x 3 1/2" 16 Washers 8 Lock Nuts



MERITOR NO.	REPLACES	KIT INCLUDES
R309389	Hendrickson 48689-001 (Assembly) 49193-001 Valve 48914-000 Switch 48940-000 Plate	Includes: 1 Synchro Relay Valve (Mounted near air springs) 1 Air Dump Switch 1 Name Plate (Installed in Cab)



MERITOR NO.	REPLACES	GENERAL INFORMATION
R3013989	Hendrickson 60218-000	Used on Hendrickson HN- 402/462/522.

HENDRICKSON HN-460 SUSPENSION PARTS

RUBBER REBOUND SPRING



MERITOR NO.	REPLACES	GENERAL INFORMATION
R309415	Hendrickson 48570-000	—

REBOUND STOP FASTENER KIT



MERITOR NO.	REPLACES	GENERAL INFORMATION
R309417	Hendrickson 49395-000 Rebound Rubber Stop 49399-000 (Kit) 18160-011 Bolt 22962-029 Washer 48948-000 Nut	Includes: 2 Rebound Rubber Stop 4 Bolt 8 Washer 4 Lock Nut

CENTER BUSHING



MERITOR NO.	REPLACES	I.D.	O.D.	LENGTH
R309411	Hendrickson 49972-000	2 1/2"	2 15/16"	12 7/16"

END CAP



MERITOR NO.	REPLACES	I.D.	O.D.	DEPTH
R309413	Hendrickson 56910-000	3 7/8"	4"	1 7/16"

RUBBER REBOUND STOP



MERITOR NO.	REPLACES	GENERAL INFORMATION
R309416	Hendrickson 49395-000	Contains: 1 Stop

BOLSTER SPRING



MERITOR NO.	REPLACES	GENERAL INFORMATION
R3011496	Hendrickson 60879-000L	2 Per Tandem Used on Hendrickson HN-402/462/522 (Must be replaced in pairs)

CROSS TUBE



MERITOR NO.	REPLACES	O.D.	LENGTH
R309412	Hendrickson 44643-011	2 7/16"	40 3/4"

REBOUND CONTROL KIT



MERITOR NO.	REPLACES
R309414	Hendrickson 49768-000 (Kit) 49778-000 Hex Nut 49770-000 Washer 49769-000 Rod 49771-000 Clevis 32043-004 Bolt 47764-000 Lock Nut

HENDRICKSON SUSPENSION PARTS



MERITOR NO.	REPLACES	INCLUDES	FOR MODEL
R306121	Hendrickson A-6914	1 Bushing 1 Bolt 1 Nut 1 Bolt Liner 2 Wear Pad 1 Tube Lubricant	HT190/230 and all "T" Series



MERITOR NO.	REPLACES	INCLUDES	FOR MODEL
R3010729A	Hendrickson S-24691	1 Bushing 1 Bolt 1 Nut 2 Washers 2 Wear Pad 1 Tube Lubricant	HT Intraax Suspension



MERITOR NO.	REPLACES	FOR MODEL	O.D.	I.D.	LENGTH
R306127	Hendrickson S-2841-1	MT45, MTL45/50	3 3/8"	1 1/4"	5 1/4"

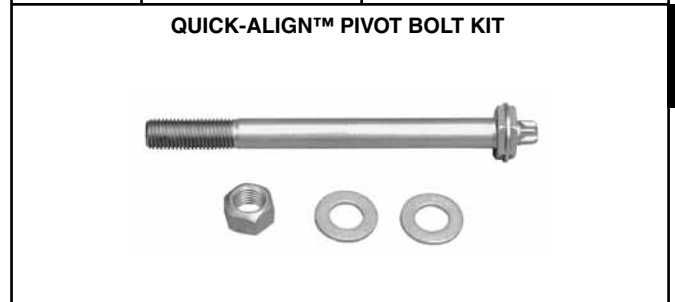


MERITOR NO.	REPLACES	FOR MODEL	O.D.	I.D.	LENGTH
R306128	Hendrickson S-2159-1	MT45, MTL45/50	3 7/8"	2 1/2"	5 1/4"

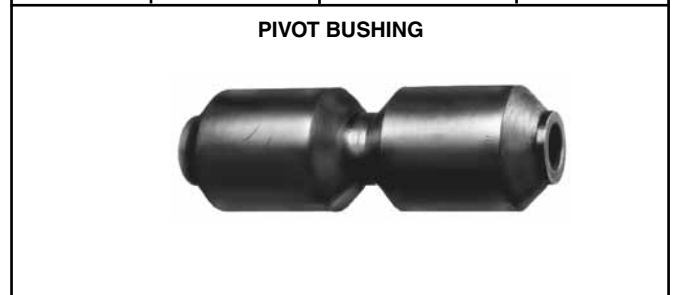


Does Not Include Bushing

MERITOR NO.	REPLACES	FOR MODEL
R309575	Hendrickson S-21307	For Tri-Functional Bushings used in Hendrickson T, HT, Intraax and HLM Suspensions



MERITOR NO.	REPLACES	INCLUDES	FOR MODEL
R3010730A	Hendrickson S-24679	2 Washers 1 Bolt 1 Nut	HT Intraax Suspension



MERITOR NO.	REPLACES	FOR MODEL	O.D.	I.D.	LENGTH
R306126	Hendrickson S-2841	MT45, MTL45/50	3 3/8"	1 1/4"	10 1/2"

HENDRICKSON SUSPENSION PARTS

ALIGNMENT COLLAR



MERITOR NO.	REPLACES	FOR MODEL	O.D.	I.D.
R303771	Hendrickson S-2770	HT230 and all "T" Series MT45, MTL45	4 1/2"	1 1/8"
R306131	Hendrickson S-2848	MTL50	4"	1 1/8"

SLIDER BLOCK ASSEMBLY



MERITOR NO.	REPLACES	FOR MODEL
R303779	Hendrickson S-1156 Slider Block SA-1000-2 Bolt SA-1300-3 Nut	Q-AH, Q-LF Block Length - 2 7/8"

AXLE SPACER



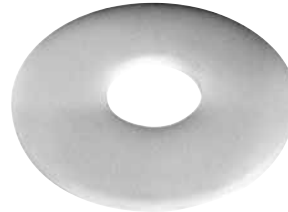
MERITOR NO.	REPLACES	FOR MODEL
R306124	Hendrickson S-20701	HLM, HT190/230

TORQUE ARM BUSHING ASSEMBLY



MERITOR NO.	FOR MODEL	INCLUDES
R301981	"Q" Series	1 R301980 Bushing 1 R30901 Bolt 1 R302983 Nut

DELRIN WEAR PAD



MERITOR NO.	REPLACES	FOR MODEL	O.D.	I.D.	THICK
R306122	Hendrickson S-21099	HLM, HT190/230	7"	2 23/64"	11/32"

BOLT KIT





MERITOR NO.	REPLACES	INCLUDES	FOR MODEL
R303768	Hendrickson S-3646	1 Bolt, 1 1/8"-7 Thd. x 9 3/4" Long 1 Nut, 1 1/8"-7 Thd. 1 Bolt Liner, 1 1/4" O.D. x 1 1/8" I.D. x 6 3/4" Long	HLM, HT190/230 and all "T" Series
R306129	Hendrickson S-3142	1 Bolt, 1 1/8"-7 Thd. x 13 1/2" Long 1 Nut, 1 1/8"-7 Thd. 1 Bolt Liner, 1 1/4" O.D. x 1 1/8" I.D. x 10 3/8" Long	MT 45, MTL45/50
R306130	Hendrickson S-3141	1 Bolt, 1 1/8"-7 Thd. x 8 1/2" Long 1 Nut, 1 1/8"-7 Thd. 1 Bolt Liner, 1 1/4" O.D. x 1 1/8" I.D. x 6 3/4" Long	MT 45, MTL45/50

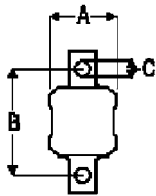

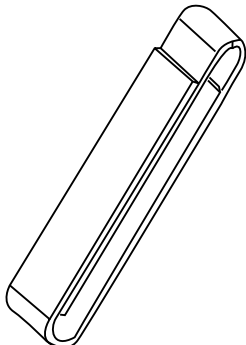
TORQUE ARM BUSHING


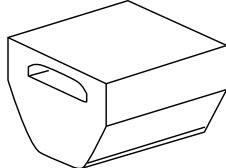


MERITOR NO.	REPLACES	FOR MODEL	DIMENSIONS
R301980	Hendrickson S-1712	"Q" Series	1 29/32" O.D. x 7/8" I.D. x 3" Long

HENDRICKSON SUSPENSION PARTS

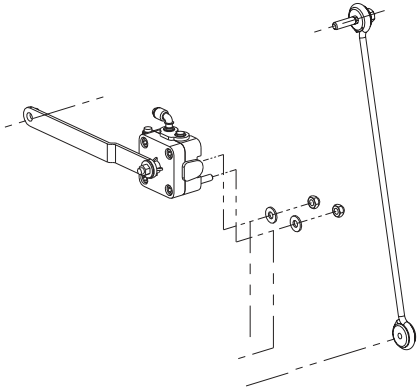
ADJUSTABLE TORQUE ARM			RIGID TORQUE ARM			
						
TYPE 1			TYPE 2			
MERITOR NO.	REPLACES	FOR MODEL	MERITOR BUSHING NO.	MERITOR BUSHING ASSEMBLY NO.	LENGTH CENTER-TO-CENTER	TYPE
R302512	Hendrickson C-1032	Q-SR	R301980	R301981	14 3/4" to 18"	1
R302513	Hendrickson C-1032-1	Q-AH	R301980	R301981	18 1/2" to 21 3/8"	1
R303773	Hendrickson C-1031	Q-SR	R301980	R301981	15 1/2"	2
R303774A2	Hendrickson C-1031-1	Q-AH	R301980	R301981	19"	2

BUSHING TOOL KIT				
				
R3013961		R3013974		
MERITOR NO.	REPLACES	QTY	MERITOR NO.	DESCRIPTION
R3013973	Hendrickson 34013-113	8	R3013961	Bonded Bushings (Part No. 64400-002L) A = 3 1/4", B = 4 3/8", C = 5/8"
		1	R3013974	Funnel Tool (Part No. 66086-000)
REBOUND STRAP				
				
MERITOR NO.	REPLACES	GENERAL INFORMATION		
R3013986	Hendrickson 57878-003	Used on Hendrickson HN-402/462/522		

FUNNEL TOOL		
		
MERITOR NO.	REPLACES	GENERAL INFORMATION
R3013974	Hendrickson 66086-000	Used for rebushing a torque rod with in a bonded bushing. For use with all 64400 series bonded bushings.
R3014346	66086-001L	For use with 47691 bonded bushing, with a 2.0" O.D.
AUXILIARY SPRING		
		
MERITOR NO.	REPLACES	GENERAL INFORMATION
R3014047	Hendrickson 60314-000	Used on Hendrickson Haulmaax and HN-402/462/522 suspensions.

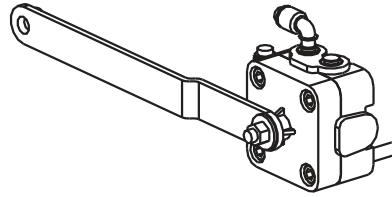
HENDRICKSON AIRTEK® SUSPENSION PARTS

HEIGHT CONTROL VALVE & LINKAGE ASSEMBLY



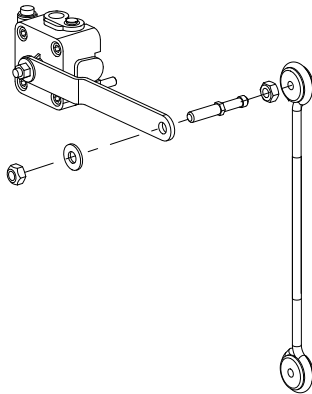
MERITOR NO.	REPLACES	GENERAL INFORMATION
R3013994	Hendrickson 59427-005	Used on Hendrickson AIRTEK® Vehicles

HEIGHT CONTROL VALVE



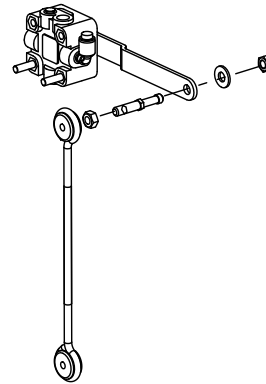
MERITOR NO.	REPLACES	GENERAL INFORMATION
R3013995	Hendrickson 59935-002	Used on Hendrickson AIRTEK® vehicles.

HEIGHT CONTROL VALVE - LH



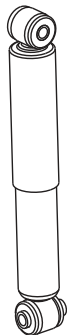
MERITOR NO.	REPLACES	GENERAL INFORMATION
R3013996	Hendrickson 59935-011	Used on Hendrickson AIRTEK® Vehicles

HEIGHT CONTROL VALVE - RH



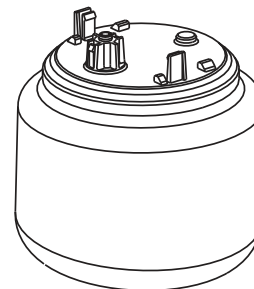
MERITOR NO.	REPLACES	GENERAL INFORMATION
R3013997	Hendrickson 59935-018	Used on Hendrickson AIRTEK® Vehicles

SHOCK ABSORBER



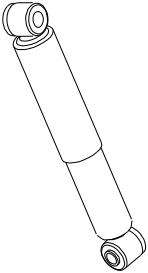
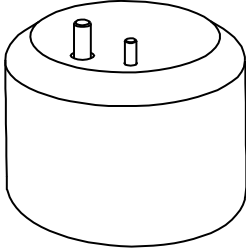
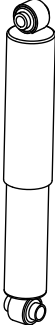
MERITOR NO.	REPLACES	GENERAL INFORMATION
R3013998	Hendrickson 59813-003L	Used on Hendrickson AIRTEK® Vehicles

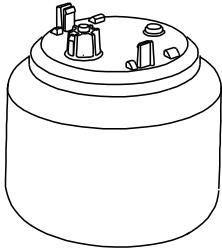
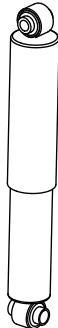
AIR SPRING



MERITOR NO.	REPLACES	GENERAL INFORMATION
R3014003	Hendrickson 59823-002L	Used on Hendrickson AIRTEK® Vehicles

HENDRICKSON AIRTEK® SUSPENSION PARTS

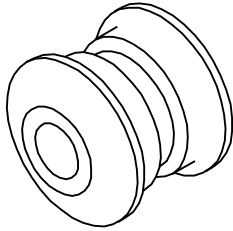
SHOCK ABSORBER		
		
MERITOR NO.	REPLACES	GENERAL INFORMATION
R3014009	Hendrickson 64838-003L Volvo 20485633 Mack 014QK-0422-M	Used on Hendrickson AIRTEK® vehicles.
AIR SPRING FOR 13.2/14.6K		
		
MERITOR NO.	REPLACES	GENERAL INFORMATION
R3014011	Hendrickson 60716-002 Volvo 20462941 Mack 057QL-0529-M	Used on Hendrickson AIRTEK® vehicles.
DAY CAB SHOCK ABSORBER		
		
MERITOR NO.	REPLACES	GENERAL INFORMATION
R3014022	Hendrickson 65992-002L	Used on Hendrickson AIRTEK® Vehicles

AIR SPRING FOR 12/12.5K		
		
MERITOR NO.	REPLACES	GENERAL INFORMATION
R3014010	Hendrickson 66349-002L Volvo 20897204 Mack 057QL-0520-M	Used on Hendrickson AIRTEK® vehicles.
SLEEPER SHOCK ABSORBER		
		
MERITOR NO.	REPLACES	GENERAL INFORMATION
R3014021	Hendrickson 65992-001L	Used on Hendrickson AIRTEK® Vehicles

1

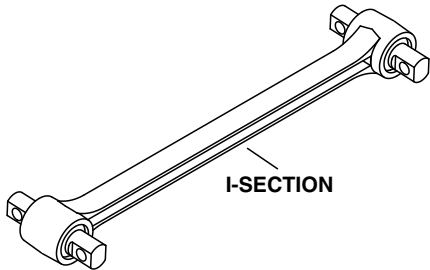
HENDRICKSON PRIMAAX® / FIREMAAX® SUSPENSION PARTS

QUICK-ALIGN PIVOT BOLT BUSHING



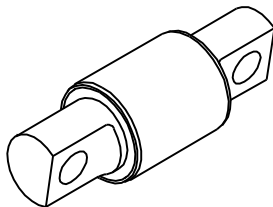
MERITOR NO.	REPLACES	GENERAL INFORMATION
R3013992	Hendrickson 58648-000	Used on Hendrickson PRIMAAX® 230/460/690 and FIREMAAX™ 240/480 - Type A Hendrickson PRIMAAX® 230/460/690 - Type B

TRANSVERSE ROD ASSEMBLY Bar Pin



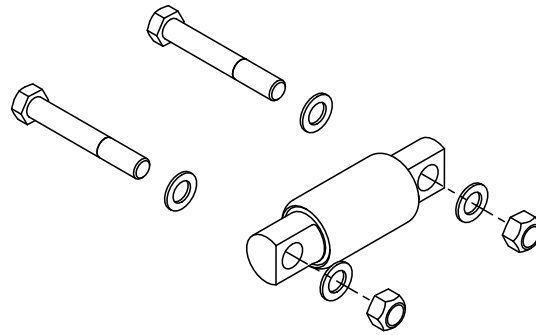
MERITOR NO.	REPLACES	GENERAL INFORMATION
R3013993	Hendrickson 58757-006 Cast (I-Section)	Used on Hendrickson PRIMAAX® 230/460/690 and FIREMAAX™ 240/480 - Type A PRIMAAX® 230/460/690 - Type B

D-PIN BUSHING



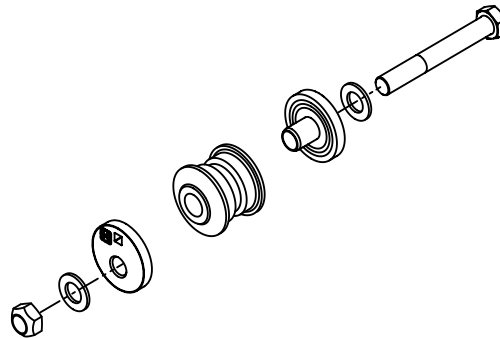
MERITOR NO.	REPLACES	GENERAL INFORMATION
R3014026	Hendrickson 60383-000	Used on Hendrickson PRIMAAX® 230/460/690 and FIREMAAX™ 240/480 - Type A Hendrickson PRIMAAX® 230/460/690 - Type B

D-PIN SERVICE KIT



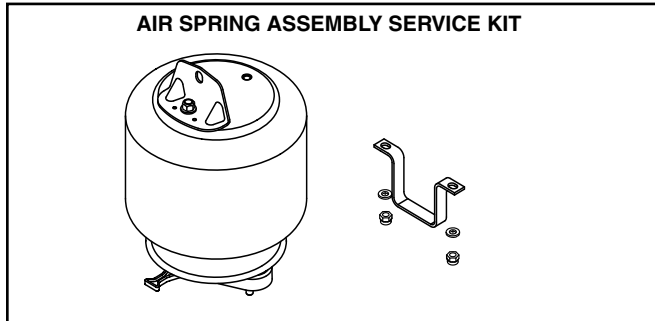
MERITOR NO.	REPLACES	GENERAL INFORMATION
R3013983	Hendrickson 34013-114	Used on Hendrickson PRIMAAX® 230/460/690 and FIREMAAX™ 240/480 - Type A PRIMAAX® 230/460/690 - Type B

QUICK-ALIGN PIVOT BUSHING SERVICE KIT

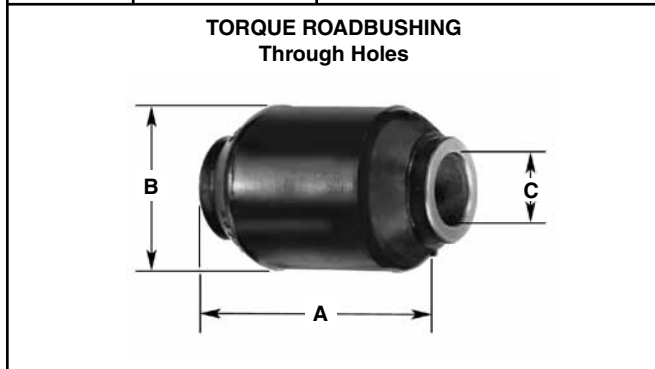


MERITOR NO.	REPLACES	GENERAL INFORMATION
R3014025	Hendrickson 60632-005	Used on Hendrickson PRIMAAX® 230/460/690 and FIREMAAX™ 240/480 - Type A Hendrickson PRIMAAX® 230/460/690 and FIREMAAX™ 240/480 - Type B

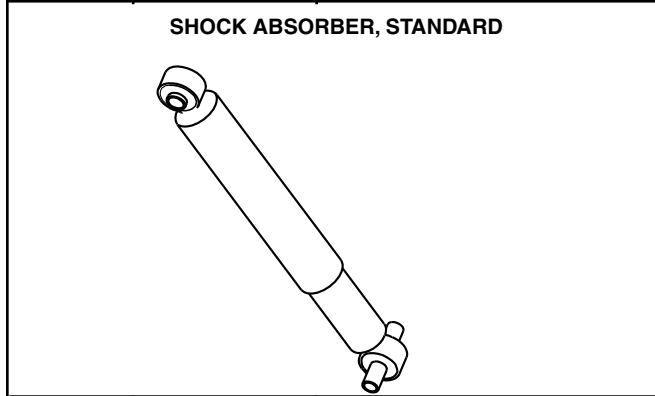
HENDRICKSON PRIMAAX® / FIREMAAX® SUSPENSION PARTS



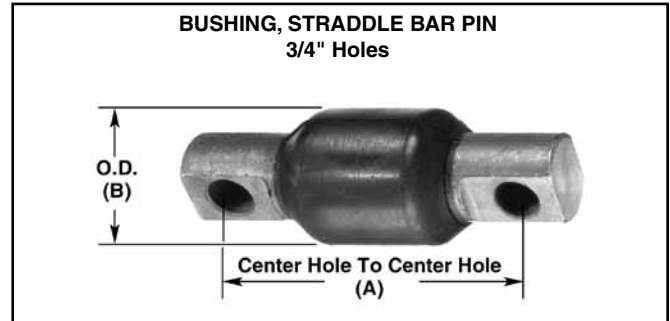
MERITOR NO.	REPLACES	GENERAL INFORMATION
R3014027	Hendrickson 60961-62	Used on Hendrickson PRIMAAX® 230/460/690 - Type A Hendrickson PRIMAAX® 230/460/690 - Type B



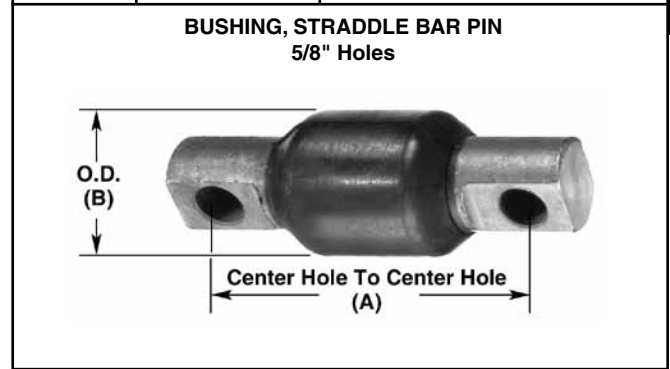
MERITOR NO.	REPLACES	GENERAL INFORMATION
R305276	Hendrickson 47692-000L	A = 3", B = 2" and C = 7/8" Used on Hendrickson PRIMAAX® 230/460/690 and FIREMAAX™ 240/480 - Type A



MERITOR NO.	REPLACES	GENERAL INFORMATION
R3014031	Hendrickson 60657-003	Used on Hendrickson PRIMAAX® 230/460/690 and FIREMAAX™ 240/480 - Type A PRIMAAX® 230/460/690 - Type B



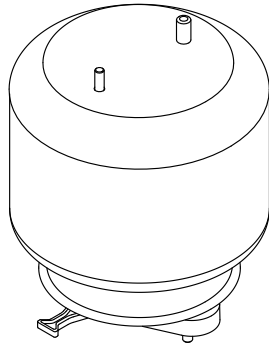
MERITOR NO.	REPLACES	GENERAL INFORMATION
R3010322	Hendrickson 69210-000H	A = 4 3/8" and B = 2.04" Used on Hendrickson PRIMAAX® 230/460/690 and FIREMAAX™ 240/480 - Type A



MERITOR NO.	REPLACES	GENERAL INFORMATION
R305275	Hendrickson 47691-000L	A = 4 3/8" and B = 2.04" Used on Hendrickson PRIMAAX® 230/460/690 and FIREMAAX™ 240/480 - Type A PRIMAAX® 230/460/690 - Type B

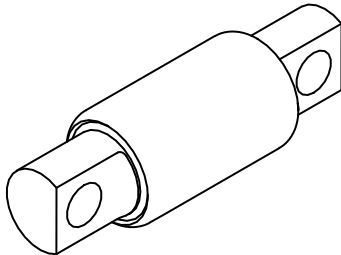
HENDRICKSON PRIMAAX® / FIREMAAX® SUSPENSION PARTS

AIR SPRING



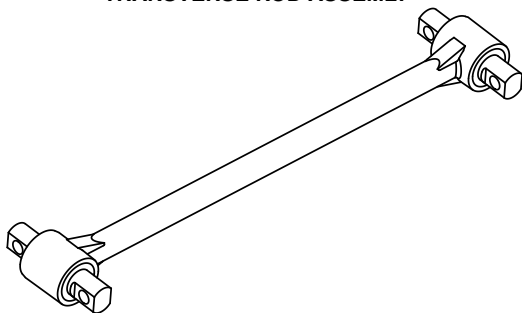
MERITOR NO.	REPLACES	GENERAL INFORMATION
R3014035	Hendrickson 65032-002	Used on Hendrickson PRIMAAX® 230/460/690 and FIREMAAX™ 240/480

D-PIN BUSHING



MERITOR NO.	REPLACES	GENERAL INFORMATION
R3014039	Hendrickson 65381-000	Used on Hendrickson PRIMAAX® 230/460/690 and FIREMAAX™ 240/480 - Type A PRIMAAX® 230/460/690 - Type B

TRANSVERSE ROD ASSEMBLY



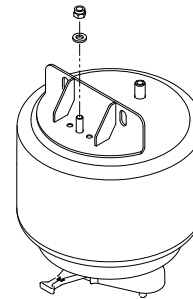
MERITOR NO.	REPLACES	GENERAL INFORMATION
R3014041	Hendrickson 62000-620	Used on Hendrickson PRIMAAX® 230/460/690 - Type A Hendrickson PRIMAAX® 230/460/690 - Type B

SHOCK ABSORBER



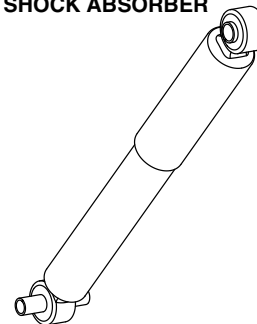
MERITOR NO.	REPLACES	GENERAL INFORMATION
R3014037	Hendrickson 60665-011	Used on Hendrickson PRIMAAX® 230/460/690 and FIREMAAX™ 240/480

AIR SPRING ASSEMBLY



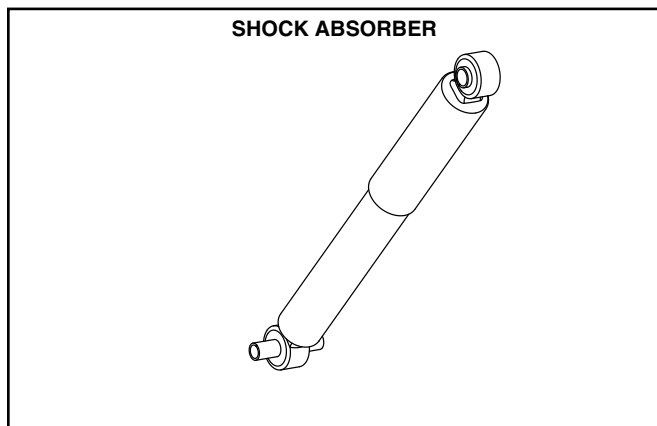
MERITOR NO.	REPLACES	GENERAL INFORMATION
R3014040	Hendrickson 66255-002	Used on Hendrickson PRIMAAX® 230/460/690 - Type A Hendrickson PRIMAAX® 230/460/690 - Type B

SHOCK ABSORBER

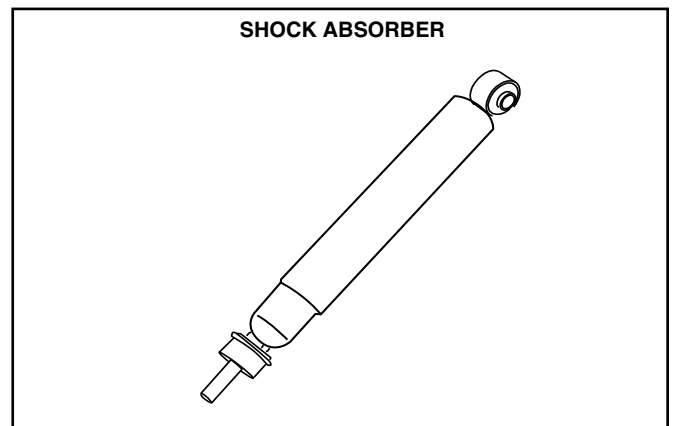


MERITOR NO.	REPLACES	GENERAL INFORMATION
R3014042	Hendrickson 60665-013	Used on Hendrickson PRIMAAX® 230/460/690 - Type A Hendrickson PRIMAAX® 230/460/690 - Type B

HENDRICKSON SUSPENSION PARTS



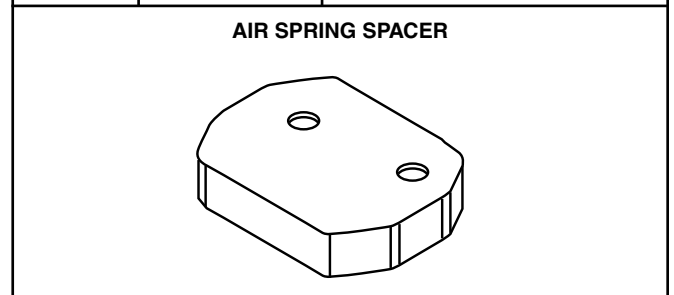
MERITOR NO.	REPLACES	GENERAL INFORMATION
R3014043	Hendrickson 60665-015	Used on Hendrickson PRIMAAX® 230/460/690 - Type A Hendrickson PRIMAAX® 230/460/690 - Type B



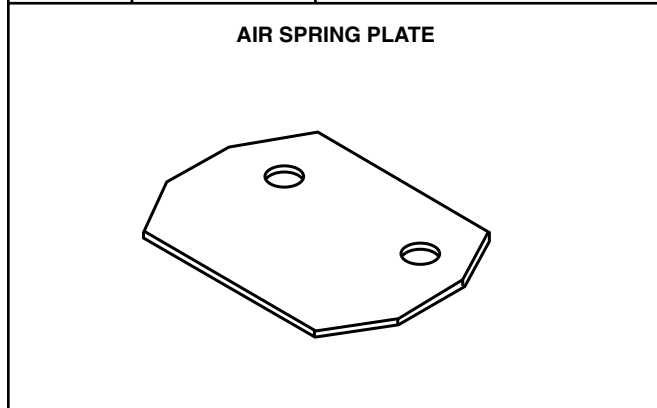
MERITOR NO.	REPLACES	GENERAL INFORMATION
R3014045 R3014046	Hendrickson 60680-004L 60680-005L	Used on Hendrickson HAULMAX® Aftermarket



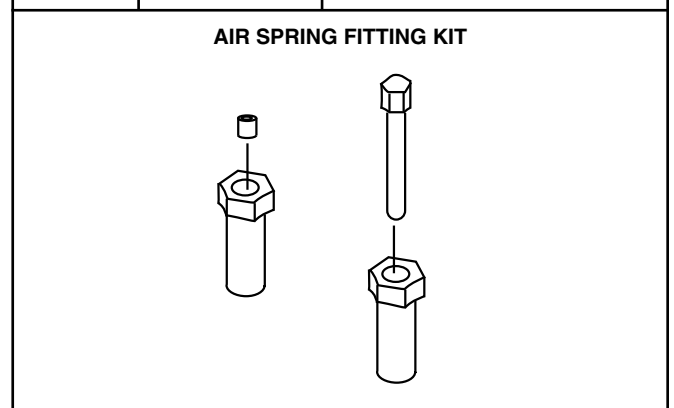
MERITOR NO.	REPLACES	GENERAL INFORMATION
R302604	Hendrickson 20781-000	Used on Hendrickson RS-403/463



MERITOR NO.	REPLACES	GENERAL INFORMATION
R3014339 R3014340 R3014341	Hendrickson B-22510-1 B-22510-2 B-22510-3	Used on Hendrickson AAT-23K, 25K and 30K



MERITOR NO.	REPLACES	GENERAL INFORMATION
R3014337 R3014338	Hendrickson B-21145 B-20905	Used on Hendrickson AAT-23K, 25K and 30K R3014337 Bolt-on and R3014338 Weld-on



MERITOR NO.	REPLACES	GENERAL INFORMATION
R3014342 R3014343 R3014344 R3014345	Hendrickson S-22619/2 S-22630/2 S-22631/2 S-22632/2	Used on Hendrickson AAT-23K, 25K and 30K

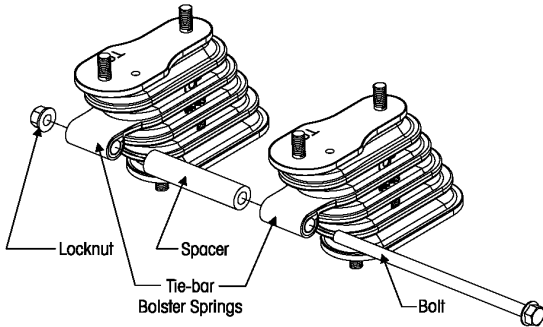
HENDRICKSON SUSPENSION PARTS

TIE-BAR BOLSTER SPRING SERVICE KIT



MERITOR NO.	REPLACES	GENERAL INFORMATION
R3014373	Hendrickson 65743-000	Used on HAULMAX® Heavy Duty Suspension

SERVICE KIT - BOLSTER SPRING WITH TIE-BAR



MERITOR NO.	REPLACES	GENERAL INFORMATION
R3014044	Hendrickson 64179-037	Used on HAULMAX® Heavy Duty Suspension

BOLSTER SPRING



MERITOR NO.	REPLACES	GENERAL INFORMATION
R3014375	Hendrickson 59257-000	Used on HAULMAX® Heavy Duty Suspension

TRI-FUNCTIONAL BUSHING KIT QUIK-ALIGN™

Photo Not Available at Time of Printing

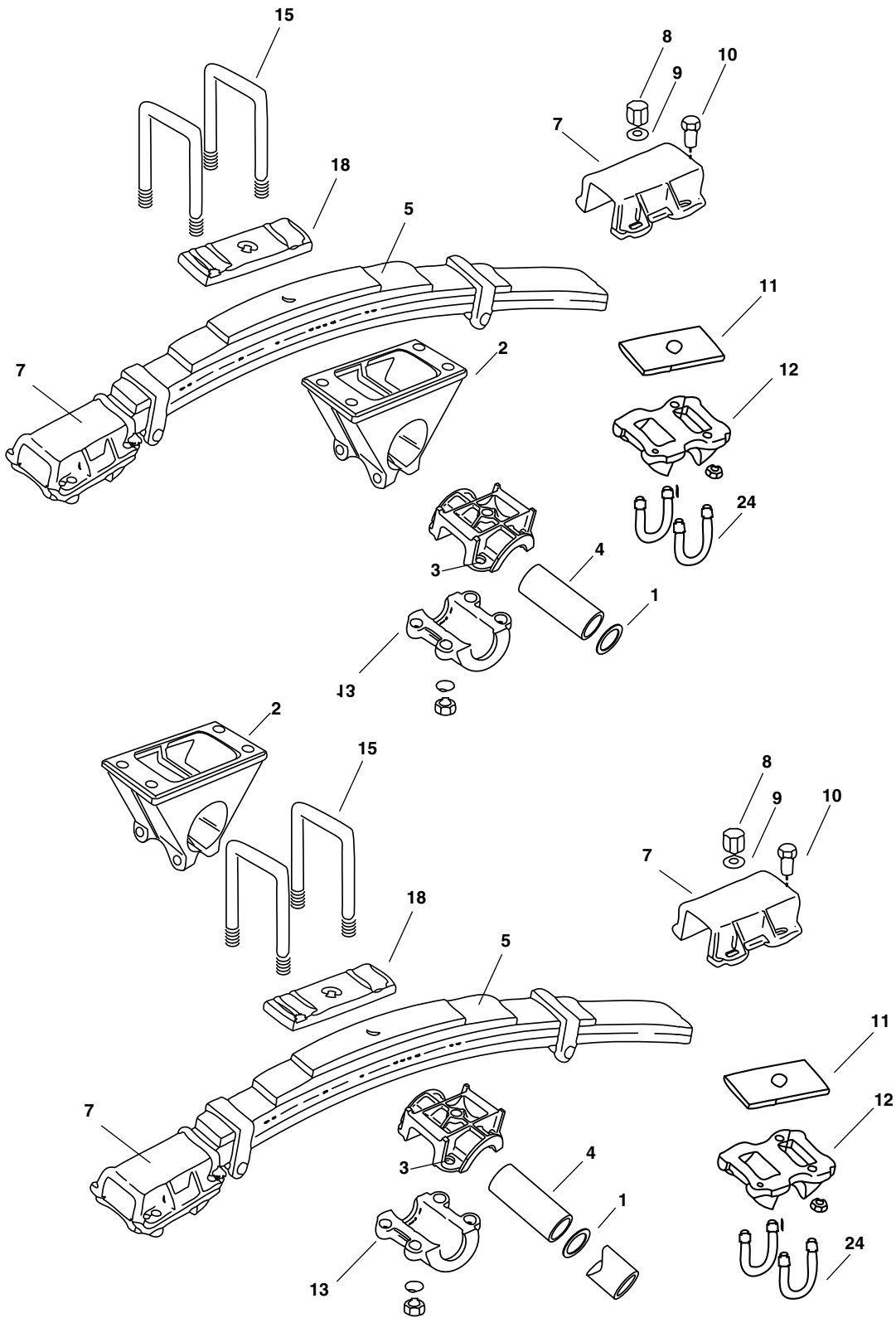
MERITOR NO.	REPLACES	INCLUDES	FOR MODEL
R3014377	Hendrickson S-26321	1 Bushing 1 Pivot Bolt 2 Wear Pad 1 Tube Lubricant	Vantraax

NOTES

Empty rectangular box for notes.

HUTCHENS SUSPENSION

H-440 Single Point



1

HUTCHENS SUSPENSION PARTS

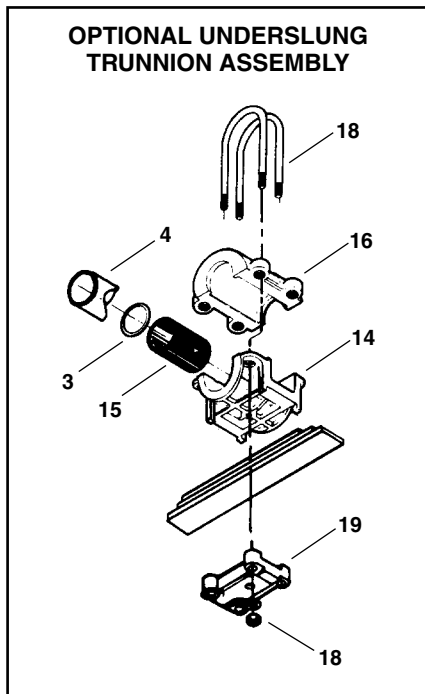
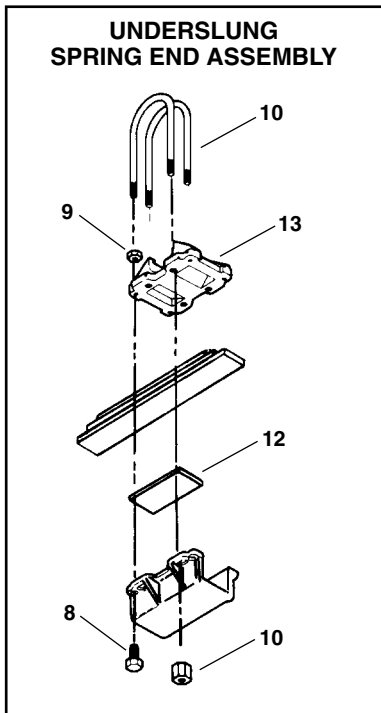
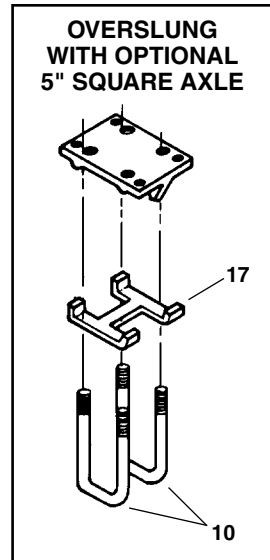
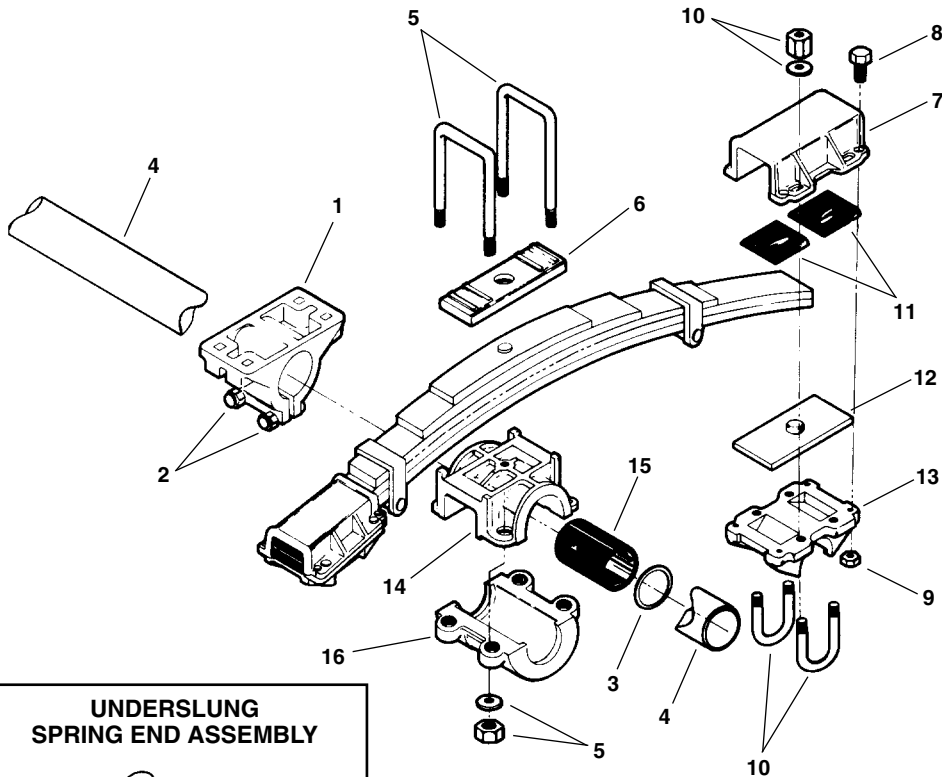
H-440 Single Point

KEY NO.	MERITOR PART NO.	REPLACES HUTCHENS NO.	DESCRIPTION	QTY PER TANDEM		PAGE NO.
				38,000 LB.	44,000 LB.	
1	S.O.S.	20936-01 (New)	Trunnion Washer	2	2	—
	R305219	895-00 (Old)				1-275
2	R305213	850-01	Trunnion Hanger 2 1/2" Height	2	2	1-275
3	S.O.S.	10376-00	Hex Bolt 3/4"-16 UNF x 4 1/2" Gr 5	4	4	—
4	S.O.S.	893-20	Trunnion Tube 0.50 Thk 46.5 Lg		1	—
	S.O.S.	893-23	Trunnion Tube 0.50 Thk 52.5 Lg	1		
5	S.O.S.	20488-01	Spring - 3 Leaf 44,000 Lb.		2	—
6	R305227 (Rubber)	814-00	Spring End Pad	8	8	1-276
	R308665 (Poly)					
7	S.O.S.	20610-01	Spring End Cap	4	4	—
8	S.O.S.	11513-03	Hex Locknut 5/8"-18 UNF	8	8	—
9	S.O.S.	10273-00	Washer Spcl Flat Edge	8	8	—
10	R304348	9293-00	Hex Bolt 5/8"-11 UNF x 2" Grade 5	8	8	1-277
11	S.O.S.	20601-01	Adjustment Plate	4	4	—
12	S.O.S.	20609-01	Spring Seat	4	4	—
13	S.O.S.	20604-01	Trunnion Hub - Lower Half	2	2	—
14	S.O.S.	20605-01	Trunnion Hub - Upper Half	2	2	—
15	S.O.S.	20600-01	U-Bolt 7/8" Gr 8 - Square	4	4	—
16	S.O.S.	20599-01	Hex Nut 7/8"-14 Unf Gr 8	8	8	—
17	R302546	35-00	Washer 15/16" I.D. X 1 1/4" O.D.	8	8	2-35
18	S.O.S.	20612-01	Top Plate - Square U-Bolt	2	2	—
19	S.O.S.	12919-01	Galvanized Liner	2	2	—
21	S.O.S.	23276-03 (New)	Trunnion Hub Bushing - Free Osci	2	2	—
		22068-03 (Old)				
		20248-03 (Old)				
22	R302545	817-00	Washer 1/8" x 13/16" ID x 1 1/2" O.D.	16	16	2-35
23	R303001	841-00	Hex Nut, Self-Locking 3/4"-16 Unf	4	4	2-34
24	R30U8155-073	10060-01	U-Bolt Assembly, Rd. Bend, 3/4" -16 Thd.x 5" Wide x 7 1/2" Long	8	8	2-25
—	S.O.S.	20613-01	H440 2.5 Trn Subassy 38.00 Sc	1		—
	S.O.S.	20613-02	H440 2.5 Trn Subassy 44.00 Sc		1	—

S.O.S. = Available through Meritor's S.O.S. Department

HUTCHENS SUSPENSION

H-900 Single Point Trailer (Over Slung shown)



LEAF SPRING REFERENCES

SRI No.

TRA 2711	5 Leaf
TRA 2715	6 Leaf
TRA 2719	7 Leaf
TRA 2713	9 Leaf
TRA 2714	9 Leaf

HUTCHENS SUSPENSION PARTS

H-900 Single Point

Trailer

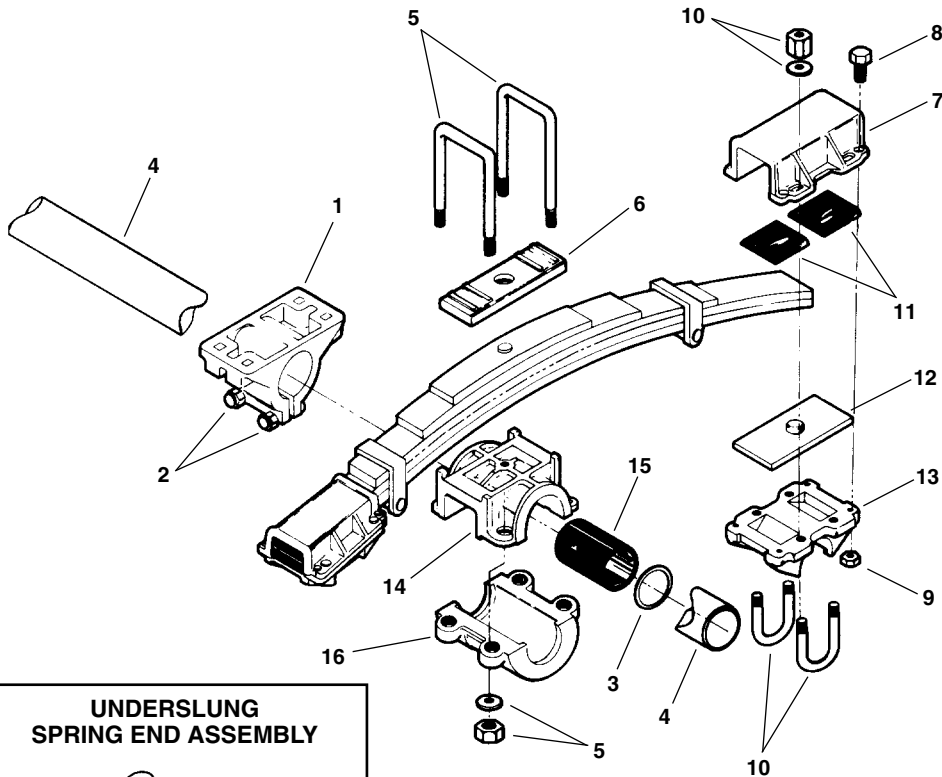
KEY NO.	MERITOR NO.	REPLACES HUTCHENS NO.	DESCRIPTION	QTY. PER TANDEM	OVERSLUNG TRUNNION		UNDERSLUNG TRUNNION		PAGE NO.
					OVER-SLUNG AXLE	UNDER-SLUNG AXLE	OVER-SLUNG AXLE	UNDER-SLUNG AXLE	
1	R305213	850-01	Trunnion Hanger, 2 1/2" High	2	X	X	X	X	1-275
	R304312	10476-0	Trunnion Hanger, 4 1/2" High		X	X	X	X	1-275
	R305214	849-01	Trunnion Hanger, 6 1/2" High		X	X	X	X	1-275
	R305215	897-01	Trunnion Hanger, 8 1/2" High		X	X	X	X	1-275
2	S.O.S.	10376-00	Hex Bolt, 3/4"-16 Thd. x 4 1/2" Long	4	X	X	X	X	—
3	R305219	895-00	Trunnion Washer	2	X	X	X	X	1-275
4	S.O.S.	893-04	Shaft, 44,000 lbs., 36" Spring Center	1	X	X	X	X	—
	R302964	893-01	Shaft, 44,000 lbs., 38" Spring Center		X	X	X	X	1-275
	S.O.S.	893-11	Shaft, 44,000 lbs., 41" Spring Center		X	X	X	X	—
	S.O.S.	893-09	Shaft, 44,000 lbs., 42" Spring Center		X	X	X	X	—
	S.O.S.	893-07	Shaft, 44,000 lbs., 44" Spring Center		X	X	X	X	—
	S.O.S.	893-05	Shaft, 60,000 lbs., 36" Spring Center		X	X	X	X	—
	R305218	893-02	Shaft, 60,000 lbs., 38" Spring Center		X	X	X	X	1-275
	S.O.S.	893-12	Shaft, 60,000 lbs., 41" Spring Center		X	X	X	X	—
	S.O.S.	893-10	Shaft, 60,000 lbs., 42" Spring Center		X	X	X	X	—
5	R30U8286-134	9639-01 9639-02	U-Bolt, Square Bend, 1 1/8"-12 Thd. x 5 1/8" Wide x 13 1/2" Long	4	X	X			2-28
	R30U8286-154	9639-03 9639-04 9639-05	U-Bolt, Square Bend, 1 1/8"-12 Thd. x 5 1/8" Wide x 15 1/2" Long	4	X	X			
6	R305230	9640-00	Top Plate, Cast, Square	2	X	X			1-277
7	R305220	10049-00	Spring End Cap, 2 Main Leaf Spring	4	X		X		1-276
	R305221	9937-00	Spring End Cap, 3 Main Leaf Spring		X		X		1-276
	R305224	10050-02	Spring End Cap, 2 Main Leaf Spring			X		X	1-276
	R305225	9941-02	Spring End Cap, 3 Main Leaf Spring			X		X	1-276
	S.O.S.	9942-02	Spring End Cap, 5 3/4"-6" Round Axle			X		X	—
8	R304348	9293-00	Hex Bolt, 5/8"-11 Thd. x 2" Long	16	X		X		1-277
				8		X		X	
9	R302988	37-03	Hex Lock Nut, 5/8"-11 Thd.	16	X		X		2-34
				8		X		X	

S.O.S. = Available through Meritor's S.O.S. Department

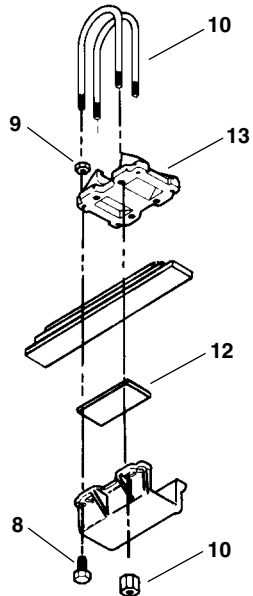
Continued on next page

HUTCHENS SUSPENSION

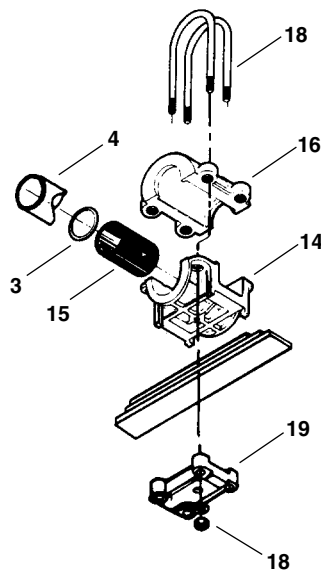
H-900 Single Point Trailer (Over Slung shown)



UNDERSLUNG SPRING END ASSEMBLY



OPTIONAL UNDERSLUNG TRUNNION ASSEMBLY



LEAF SPRING REFERENCES

SRI No.

TRA 2711	5 Leaf
TRA 2715	6 Leaf
TRA 2719	7 Leaf
TRA 2713	9 Leaf
TRA 2714	9 Leaf

HUTCHENS SUSPENSION PARTS

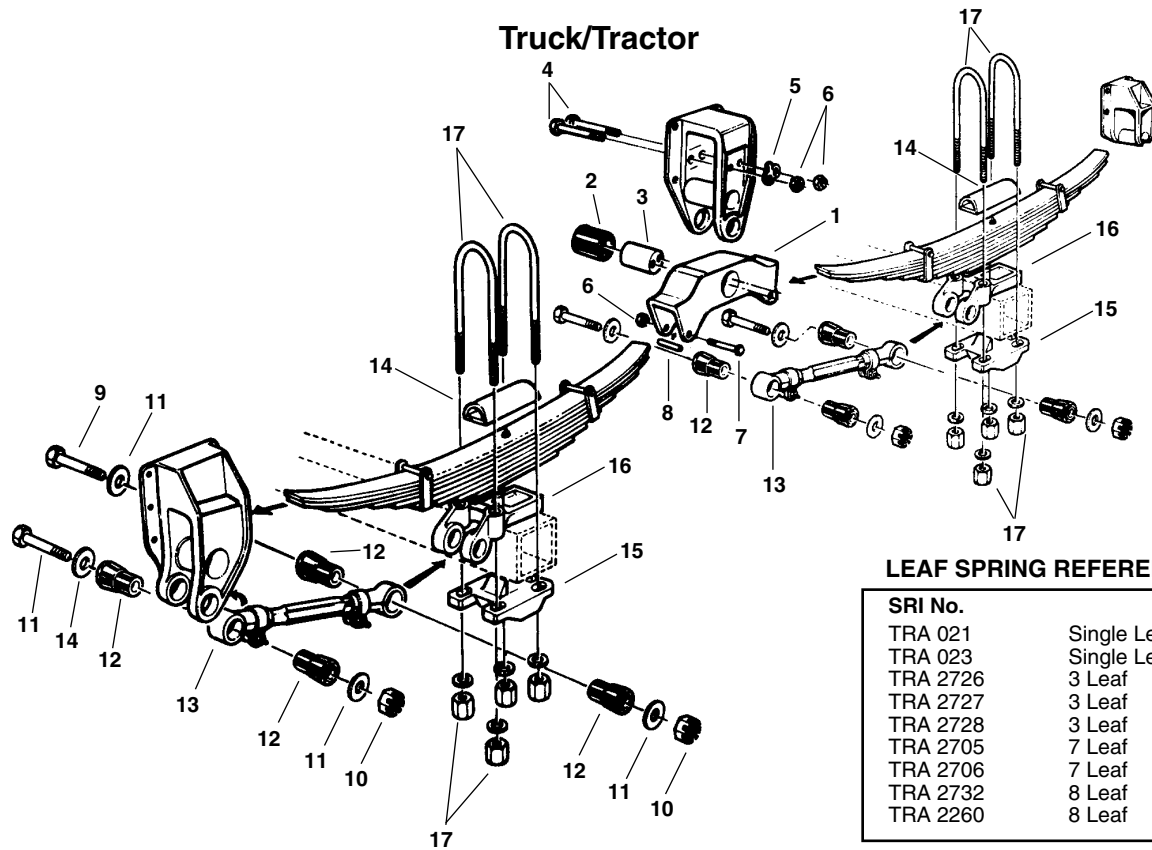
H-900 Single Point

Trailer

KEY NO.	MERITOR NO.	REPLACES HUTCHENS NO.	DESCRIPTION	QTY. PER TANDEM	OVERSLUNG TRUNNION		UNDERSLUNG TRUNNION		PAGE NO.
					OVER-SLUNG AXLE	UNDER-SLUNG AXLE	OVER-SLUNG AXLE	UNDER-SLUNG AXLE	
10	R30U8155-073	10060-01	U-Bolt Assembly, Rd. Bend, 3/4"-16 Thd. x 5" Wide x 7 1/2" Long	8	X		X		2-25
	S.O.S.	10061-01	U-Bolt Assembly, Rd. Bend, 3/4"-16 Thd. x 5 3/4" Wide x 8" Long		X		X		—
	S.O.S.	10062-01	U-Bolt Assembly, Rd. Bend, 3/4"-16 Thd. x 6" Wide x 8" Long		X		X		—
	R30U8175-104	10064-01	U-Bolt Assembly, Rd. Bend, 1"-14 Thd. x 5" Wide x 10 1/2" Long			X		X	2-26
	S.O.S.	10065-01	U-Bolt Assembly, Rd. Bend, 1"-14 Thd. x 5 3/4" Wide x 11 1/2" Long			X		X	—
	S.O.S.	10066-01	U-Bolt Assembly, Rd. Bend, 1"-14 Thd. x 6" Wide x 11 1/2" Long			X		X	—
	R30U8256-077	10060-01	U-Bolt Assembly, Sq. Bend, 3/4"-16 Thd. x 5" Wide x 7 7/8" Long		X		X		2-27
	S.O.S.	10067-02	U-Bolt Assembly, Sq. Bend, 1"-14 Thd. x 5" Wide x 10 1/2" Long			X		X	—
	S.O.S.	10067-03	U-Bolt Assembly, Sq. Bend, 1"-14 Thd. x 5" Wide x 11 1/8" Long			X		X	—
11	R305227 (Rubber)	814-00	Spring End Pad	8	X	X	X	X	1-276
	R308665 (Poly)								
12	R305228	10608-00	Alignment Adjustment Plate	4	X	X	X	X	1-277
13	R305222	9934-02	Spring Seat, 5" Rd. Axle	4	X		X		1-276
	R305226	9938-00	Spring Seat, 5" Rd. Axle			X		X	1-276
	R305223	9935-02	Spring Seat, 5" x 5" Sq. Axle		X		X		1-276
	S.O.S.	9939-00	Spring Seat, 5" x 5" Sq. Axle			X		X	—
	S.O.S.	9936-03	Spring Seat, 5 3/4" Rd. Axle		X		X		—
	S.O.S.	9940-00	Spring Seat, 5 3/4" Rd. Axle			X		X	—
	S.O.S.	9936-04	Spring Seat, 6" Rd. Axle		X		X		—
14	R305210	891-00	Upper Trunnion Hub	2	X	X	X	X	1-275
15	R305216 (Rubber)	890-00	Trunnion Bushing	2	X	X	X	X	1-275
	R307455 (Poly)	11357-00	Free Oscillating Trunnion Bushing	2	X	X	X	X	1-275
16	R305211	898-00	Lower Trunnion Hub	2	X	X			1-275
	R305212	892-00					X	X	
17	R305229	10488-00	Pressure Plate, 5" x 5" Square Axle	4	X	X	X	X	1-269
18	R30U8187-154	835-02	U-Bolt Assembly, 1 1/8"-12 Thd. x 5 7/8" Wide x 15 1/2" Long	4			X	X	2-26
		835-03							
		835-04							
19	R305231A	820-00	Bottom Plate	2			X	X	1-269

S.O.S. = Available through Meritor's S.O.S. Department

HUTCHENS H-2200 / H-2300 SUSPENSION



KEY NO.	MERITOR NO.	REPLACES HUTCHENS NO.	DESCRIPTION	QUANTITY PER TANDEM	PAGE NO.
1	R302890	2224-01	Equalizer with Bushing	2	1-263
2	R302004	720-00	Equalizer Bushing	2	1-263
4	R302000	7016-01	Equalizer Bolt	4	1-265
5	R302001	729-00	Tab Lock	2	1-265
6	R302002	37-01	Equalizer Nut	8	2-34
7	R303415	759-00	Equalizer Rebound Bolt	4	2-32
8	R303416	756-00	Equalizer Rebound Spacer	4	1-265
—	R303414	—	Equalizer Bolt Kit, Includes Key Nos. 4, 5, 6, 7, 8, 9, 10	2	1-265
—	R301075	—	Torque Arm Bushing Assembly, Includes Key Nos. 12, 13, 14, 15	8	1-265
9	R301073	2219-01	Torque Arm Bolt	8	1-266
10	Part of R301075	30-00	Torque Arm Nut	8	1-266
11	R301074	227-00	Torque Arm Washer	16	2-35
12	R301038 (Rubber)	220-00	Torque Arm Bushing	16	1-266
13	R302898	2213-00 (Old) 6399-01 (New)	Adjustable Torque Arm	4	1-267
14	R302907A	7029-00 (Old) 16868-01 (New)	U-Bolt Top Plate	4	1-268
15	R302909	710-00	Bottom Plate, 5" Rd. Axle	4	1-269
16	R30U5161-12	—	U-Bolt Assembly, Rd. Bend, 7/8"-14 Thd. x 3" Wide x 12" Long	8	2-27
	R30U5161-14	—	U-Bolt Assembly, Rd. Bend, 7/8"-14 Thd. x 3" Wide x 14" Long		2-27
	R30U5161-18	—	U-Bolt Assembly, Rd. Bend, 7/8"-14 Thd. x 3" Wide x 18" Long		2-27
	R30U8161-14	7040-11, -12, -14	U-Bolt Assembly, Rd. Bend, 7/8"-14 Thd. x 3" Wide x 14" Long		2-25
	R30U8161-16	7040-15, -16, -17, -18	U-Bolt Assembly, Rd. Bend, 7/8"-14 Thd. x 3" Wide x 16" Long		2-25
	R30U8161-18	7040-19	U-Bolt Assembly, Rd. Bend, 7/8"-14 Thd. x 3" Wide x 18" Long		2-25

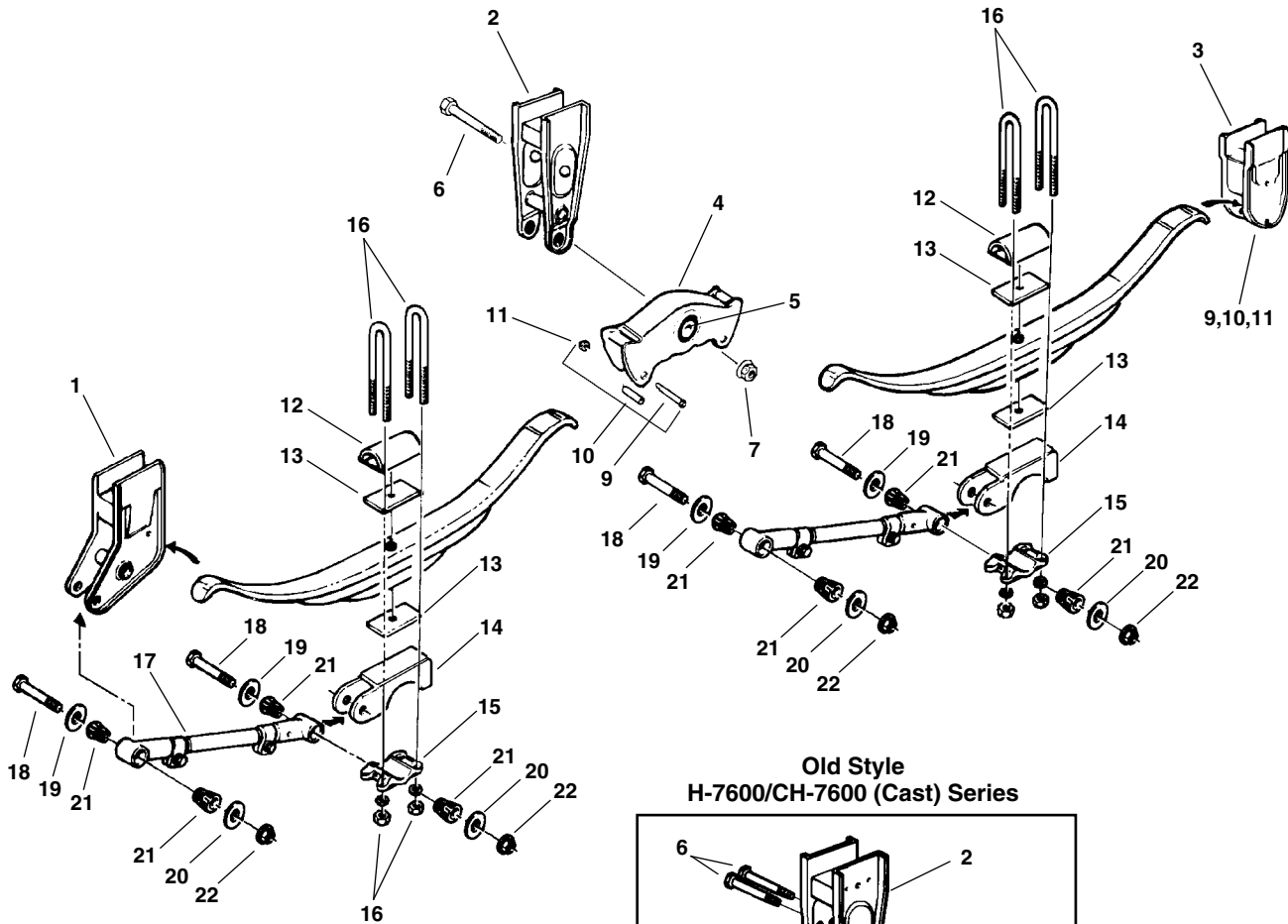
N/A = No Longer Available

NOTES

Empty rectangular box for notes.

HUTCHENS SUSPENSION

H-9600/CH-9600 (Cast) and H-7600/CH-7600 (Cast) Series Trailer



Old Style
H-7600/CH-7600 (Cast) Series

LEAF SPRING REFERENCES

SRI No.

TRA 021	Single Leaf
TRA 023	Single Leaf
TRA 2726	3 Leaf
TRA 2727	3 Leaf
TRA 2728	3 Leaf
TRA 2705	7 Leaf
TRA 2706	7 Leaf
TRA 2732	8 Leaf
TRA 2260	8 Leaf

HUTCHENS SUSPENSIONS PARTS

H-9600/CH-9600 (Cast) and H-7600/CH-7600 (Cast) Series

Trailer

KEY NO	MERITOR NO.	REPLACES HUTCHENS NO.	DESCRIPTION	QTY PER TANDEM	H-9600	CH-9600	H-7600	CH-7600	PAGE NO.	
—	R309469	16321-01	Hanger/Equalizer Assembly, Straddle Mount	2	X				1-270	
	R309470	16321-02	Hanger/Equalizer Assembly, Under Mount		X				1-270	
	S.O.S.		Other Hanger/Equalizer Assemblies, Specify Hanger Type		X	X	X	X	—	
1	See Hanger Chart		Front Hanger	2	X	X	X	X	1-258	
2	See Hanger Chart		Equalizer Hanger	2	X	X	X	X	1-258	
3	See Hanger Chart		Rear Hanger	2	X	X	X	X	1-258	
4	R307532	16158-01	Equalizer, Fabricated, One Bolt	2	X				1-263	
	R309471	16290-01 (Old) 17784-01(New)	Equalizer, Cast, One Bolt			X				
	R309567	—	Equalizer with Poly Bushing, One Bolt		X					
	R302781	750-03	Equalizer, Heavy Duty, Two Bolt				X			
	R302781A		Equalizer, OE Equivalent, Two Bolt				X			
	R309570	750-03	Equalizer, Standard Duty, Two Bolt				X			
	R307918		Equalizer with Poly Bushing, Two Bolt				X			
R302889	704-01 (Old) 19137-01(New)	Equalizer, Cast, Two Bolt					X			
—	R309472 (Rubber)	—	Equalizer Bushing Assembly Includes Key Nos. 5, 6, 7	2	X	X			1-264	
	R309473 (Poly)									
—	R302003 (Rubber)	—	Equalizer Bushing Assembly Includes Key Nos. 5, 6, 7, 8	2			X	X	1-264	
	R309474 (Poly)									
—	R309475	—	Equalizer Bolt Kit Includes Key Nos. 6, 7, 9, 10, 11	2	X	X			1-264	
—	R303414	—	Equalizer Bolt Kit Includes Key Nos. 6, 7, 8, 9, 10, 11	2			X	X	1-265	
5	R307621 (Rubber)	16146-01 (Old)	Equalizer Bushing	2	X	X			1-264	
	R308666 (Poly)	18723-01(New)								1-264
	R301999A (Rubber)	7010-00					X	X		1-264
	R307452 (Poly)									1-264
6	R307533	16150-01	Equalizer Center Bolt	2	X	X			2-32	
	R302000	7016-01		4			X	X	1-265	
7	R304358	11154-00	Equalizer Nut	2	X	X			2-34	
	R302002	37-01		4			X	X	2-34	
8	R302001	729-00	Lock Tab	2			X	X	1-265	
9	R303415	759-00	Equalizer Rebound Bolt	4	X	X	X	X	2-32	
10	R303416	756-00	Equalizer Rebound Spacer	4	X	X	X	X	1-265	
11	R302002	37-01	Equalizer Rebound Nut	4	X	X	X	X	2-34	
12	R302907A	7029-00 (Old) 16868-01(New)	U-Bolt Top Plate	4	X	X	X	X	1-268	
13	R302842	7052-02 (Old) 17350-02(New)	Delrin Spring Liner Pad	8	X	X	X	X	1-268	
14	See Spring Seat Chart		Spring Seat	4	X	X	X	X	1-260	
15	R302909	710-00	Bottom Plate, 5" Rd.	4	X	X	X	X	1-269	
	S.O.S.	7622-00	Bottom Plate, Cast, 5" Rd. Axle		X	X	X	X	—	
	R307636	7747-01	Bottom Plate, 5" Sq. Axle		X	X	X	X	1-269	
	R307635	7746-00	Bottom Plate, 4" x 6" Axle		X	X	X	X	1-269	
16	See U-Bolt Chart		U-Bolt Assembly	8	X	X	X	X	1-261	
17	R309476	16167-04	Adjustable Torque Arm	2	X	X	X	X	1-267	
	R309477	11953-01	Rigid Torque Arm		X	X	X	X	1-267	
—	R309478 (Rubber)	—	Torque Arm Bushing Assembly Includes Key Nos. 18, 19, 20, 21, 22	8	X	X	X	X	1-264	
	R309479 (Poly)									
18	R309480	12709-01	Torque Arm Step Bolt	8	X	X	X	X	1-266	
19	R302833	12710-01	Washer	8	X	X	X	X	2-35	
20	R309482	12711-01	Washer	8	X	X	X	X	—	
21	R30927 (Rubber)	7620-00	Torque Arm Bushing	16	X	X	X	X	1-266	
	R307433 (Poly)									
22	R301835	34-02	Torque Arm Nut	8	X	X	X	X	2-34	

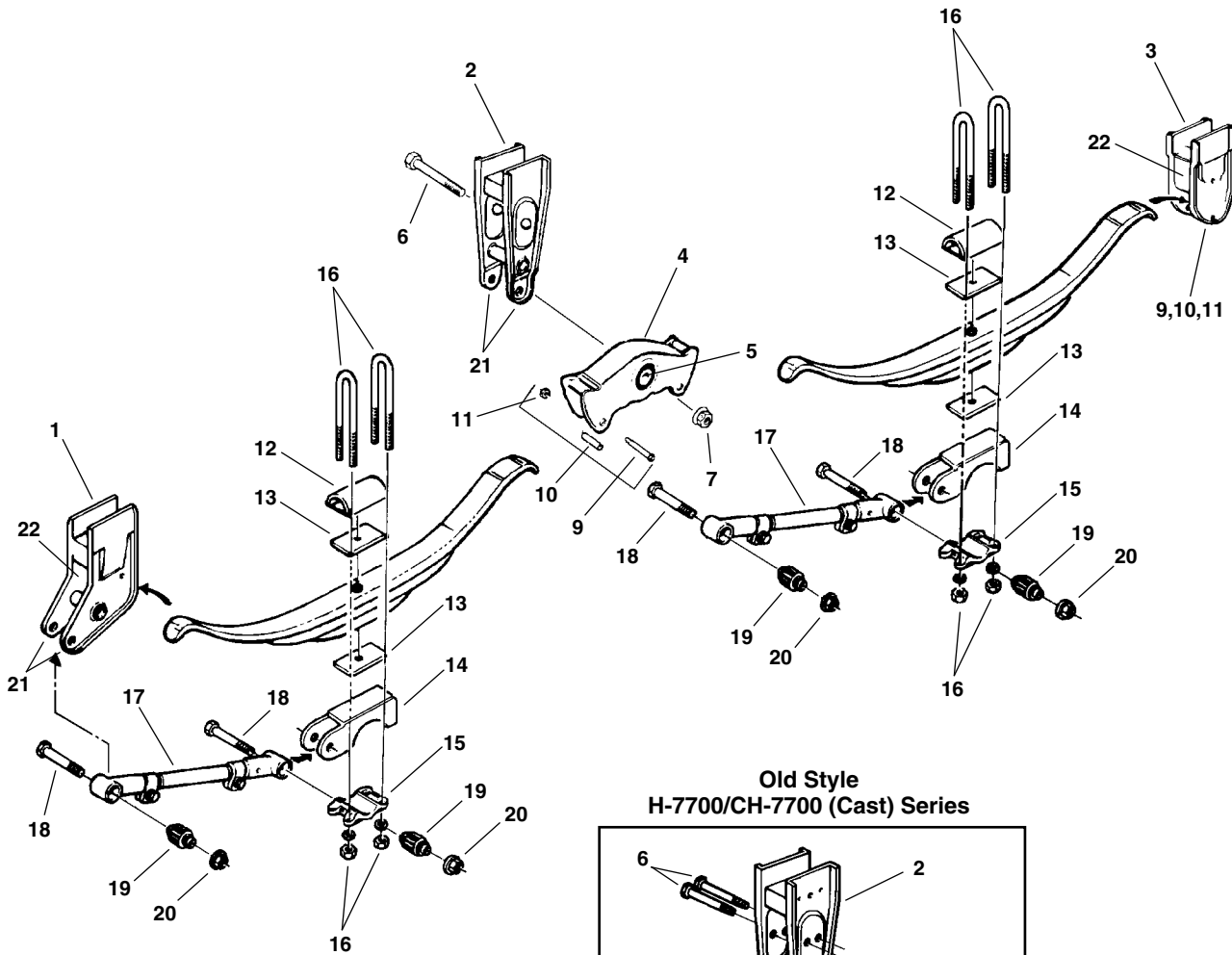
S.O.S. = Available through Meritor's S.O.S. Department

Contact Customer Care
USA - 1-888-725-9355 CANADA - 800-387-3889

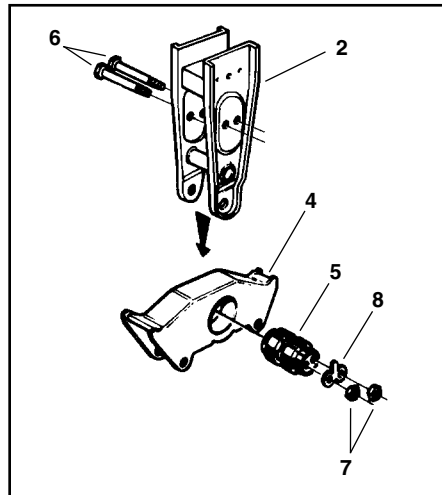
XpresswayPlus.ArvinMeritor.com

HUTCHENS SUSPENSION

H-9700/CH-9700 (Cast) and H-7700/CH-7700 (Cast) Series Trailer



Old Style H-7700/CH-7700 (Cast) Series



LEAF SPRING REFERENCES

SRI No.

TRA 021	Single Leaf
TRA 023	Single Leaf
TRA 2726	3 Leaf
TRA 2727	3 Leaf
TRA 2728	3 Leaf
TRA 2705	7 Leaf
TRA 2706	7 Leaf
TRA 2732	8 Leaf
TRA 2260	8 Leaf

HUTCHENS SUSPENSIONS PARTS

H-9700/CH-9700 (Cast) and H-7700/CH-7700 (Cast) Series

Trailer

KEY NO.	MERITOR NO.	REPLACES HUTCHENS NO.	DESCRIPTION	QTY. PER TANDEM	H-9700	CH-9700	H-7700	CH-7700	PAGE NO.		
—	R309484	16319-01	Hanger/Equalizer Assembly, Straddle Mount	2	X				1-270		
	R309485	16319-02	Hanger/Equalizer Assembly, Under Mount		X				1-270		
	S.O.S.		Other Hanger/Equalizer Assemblies, Specify Hanger Type		X	X	X	X	—		
1	See Hanger Chart		Front Hanger	2	X	X	X	X	1-258		
2	See Hanger Chart		Equalizer Hanger	2	X	X	X	X	1-258		
3	See Hanger Chart		Rear Hanger	2	X	X	X	X	1-258		
4	R307532	16158-01	Equalizer, Fabricated, One Bolt	2	X				1-263		
	R309471	16290-01 (Old) 17784-01 (New)	Equalizer, Cast, One Bolt			X					
	R3011452	16159-01 (Old) 24711-01 (New)	Equalizer, Fabricated, 44" Axle Spacing		X						
	R309567	—	Equalizer with Poly Bushing, One Bolt		X						
	R302781	750-03	Equalizer, Heavy Duty, Two Bolt				X				
	R302781A		Equalizer, OE Equivalent, Two Bolt				X				
	R309570	750-03	Equalizer, Standard Duty, Two Bolt				X				
	R307918	—	Equalizer with Poly Bushing, Two Bolt				X				
	R302889	704-01(Old) 19137-01(New)	Equalizer, Cast, Two Bolt				X				
—	R309472 (Rubber) R309473 (Poly)	—	Equalizer Bushing Assembly Includes Key Nos. 5, 6, 7	2	X	X			1-264		
—	R302003 (Rubber) R309474 (Poly)	—	Equalizer Bushing Assembly Includes Key Nos. 5, 6, 7, 8	2			X	X	1-264		
—	R309475	—	Equalizer Bolt Kit Includes Key Nos. 6, 7, 9, 10, 11	2	X	X			1-264		
—	R303414	—	Equalizer Bolt Kit Includes Key Nos. 6, 7, 8, 9, 10, 11	2			X	X	1-265		
5	R307621 (Rubber) R308666 (Poly)	16146-01(Old) 18723-01(New)	Equalizer Bushing	2	X	X			1-264		
	R301999A (Rubber) R307452 (Poly)	7010-00					X	X	1-264		
	R307533	16150-01			Equalizer Center Bolt	2	X	X			2-32
	R302000	7016-01				4			X	X	1-265
7	R304358	11154-00	Equalizer Nut	2	X	X			2-34		
	R302002	37-01		4			X	X			
8	R302001	729-00	Lock Tab	2			X	X	1-265		
9	R303415	759-00	Equalizer Rebound Bolt	4	X	X	X	X	2-32		
10	R303416	756-00	Equalizer Rebound Spacer	4	X	X	X	X	1-265		
11	R302002	37-01	Equalizer Rebound Nut	4	X	X	X	X	2-34		
12	R302907A	16868-01(New) 7029-00 (Old)	U-Bolt Top Plate	4	X	X	X	X	1-268		
		7052-02 (Old) 17350-02 (New)								Delrin Spring Liner Pad	8
13	R302842	7052-02 (Old) 17350-02 (New)									
14	See Spring Seat Chart		Spring Seat	4	X	X	X	X	1-260		

S.O.S. = Available through Meritor's S.O.S. Department

Notes: For Optional Conversion to 3/4" U-Bolts, Use Bottom Plate # 16297-01 (available only for 5" Rd. axles) - Contact S.O.S.

For Optional 3/4" U-Bolts, See U-Bolt Section

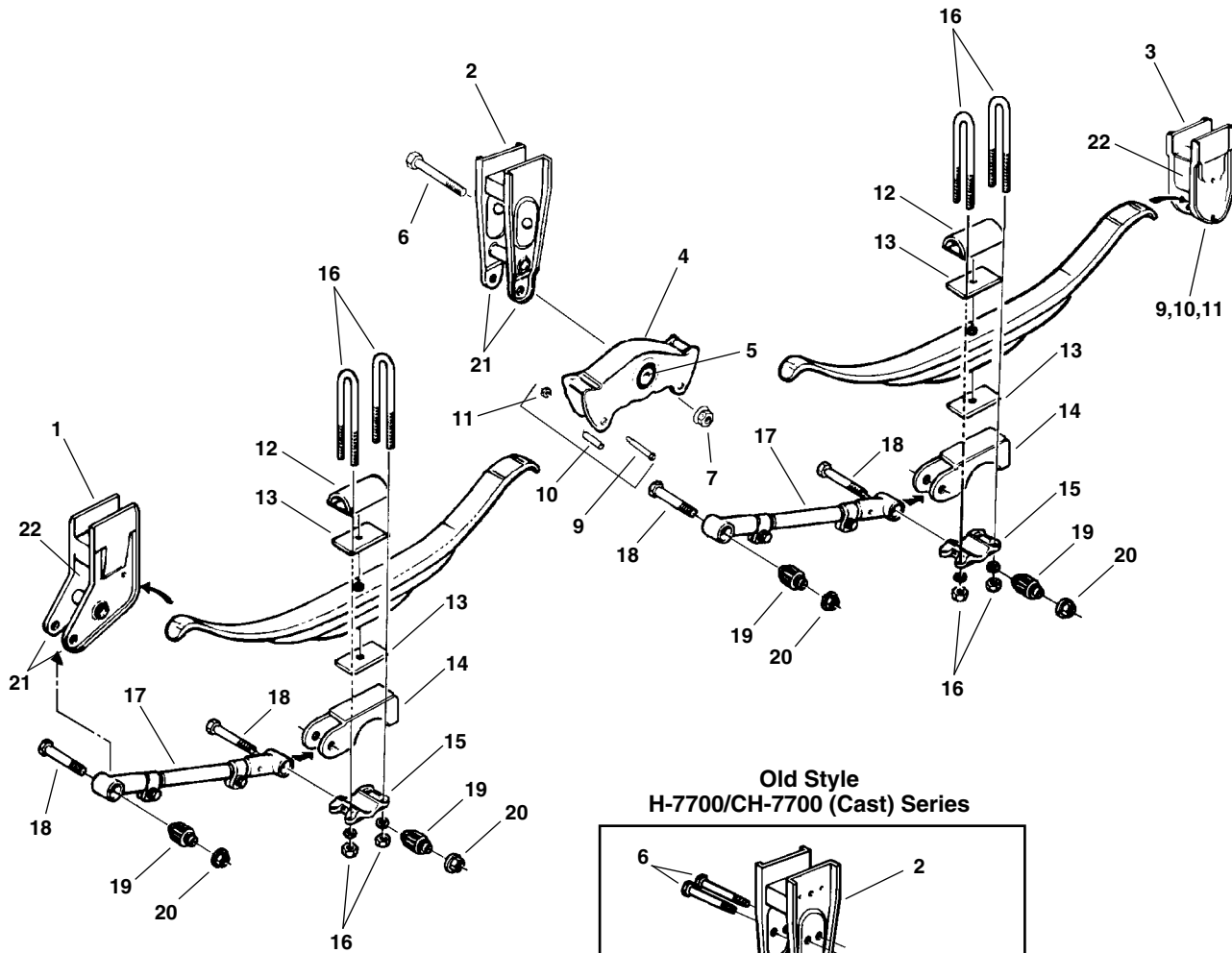
For "No-Hop" Optional Parts, Contact S.O.S.

For "Inverted U-Bolt" Optional Parts, contact S.O.S.

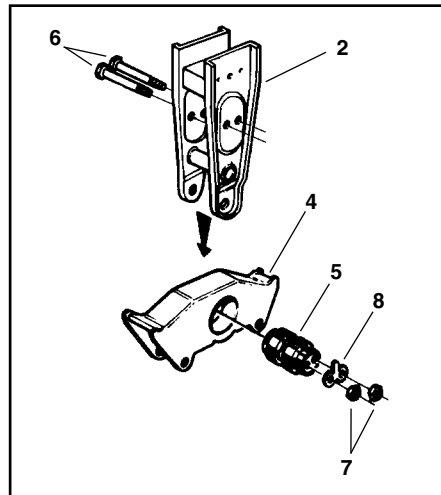
Continued on next page

HUTCHENS SUSPENSION

H-9700/CH-9700 (Cast) and H-7700/CH-7700 (Cast) Series Trailer



Old Style H-7700/CH-7700 (Cast) Series



LEAF SPRING REFERENCES

SRI No.	
TRA 021	Single Leaf
TRA 023	Single Leaf
TRA 2726	3 Leaf
TRA 2727	3 Leaf
TRA 2728	3 Leaf
TRA 2705	7 Leaf
TRA 2706	7 Leaf
TRA 2732	8 Leaf
TRA 2260	8 Leaf

HUTCHENS SUSPENSIONS PARTS

H-9700/CH-9700 (Cast) and H-7700/CH-7700 (Cast) Series

Trailer

KEY NO.	MERITOR NO.	REPLACES HUTCHENS NO.	DESCRIPTION	QTY. PER TANDEM	H-9700	CH-9700	H-7700	CH-7700	PAGE NO.
15	R302909	710-00	Bottom Plate, 5" Rd.	4	X	X	X	X	1-269
	S.O.S.	7622-00	Bottom Plate, Cast, 5" Rd. Axle	4	X	X	X	X	—
	R307636	7747-01	Bottom Plate, 5" Sq. Axle	4	X	X	X	X	1-269
	R307635	7746-00	Bottom Plate, 4" x 6" Axle	4	X	X	X	X	1-269
16	See U-Bolt Chart		U-Bolt Assembly	8	X	X	X	X	1-261
17	R303277	16398-04 (New) 713-05 (Old)	Adjustable Torque Arm	2	X	X	X	X	1-267
	R302899	715-00	Rigid Torque Arm	2	X	X	X	X	1-267
—	R303079 (Rubber)	—	Torque Arm Bushing Assembly Includes Key Nos. 18, 19 and 20	8	X	X	X	X	1-266
	R309486 (Poly)								
18	R302891	719-02	Torque Arm Bolt	8	X	X	X	X	2-32
19	R30934 (Rubber)	722-00	Torque Arm Bushing	8	X	X	X	X	1-266
	R307453 (Poly)								
20	R302892	10562-00	Torque Arm Nut	8	X	X	X	X	2-34
21	R307682	7717-01	Replacement Hanger Washer Bushing	As Required	X		X		—
22	R309487	755-03	Hanger Replacement Wear Pad	As Required	X		X		1-274

S.O.S. = Available through Meritor's S.O.S. Department

Notes: For Optional Conversion to 3/4" U-Bolts, Use Bottom Plate # 16297-01 (available only for 5" Rd. axles) - Contact S.O.S.

For Optional 3/4" U-Bolts, See U-Bolt Section

For "No-Hop" Optional Parts, Contact S.O.S.

For "Inverted U-Bolt" Optional Parts, contact S.O.S.

If you detect any **errors** in this Catalog, please let us know.

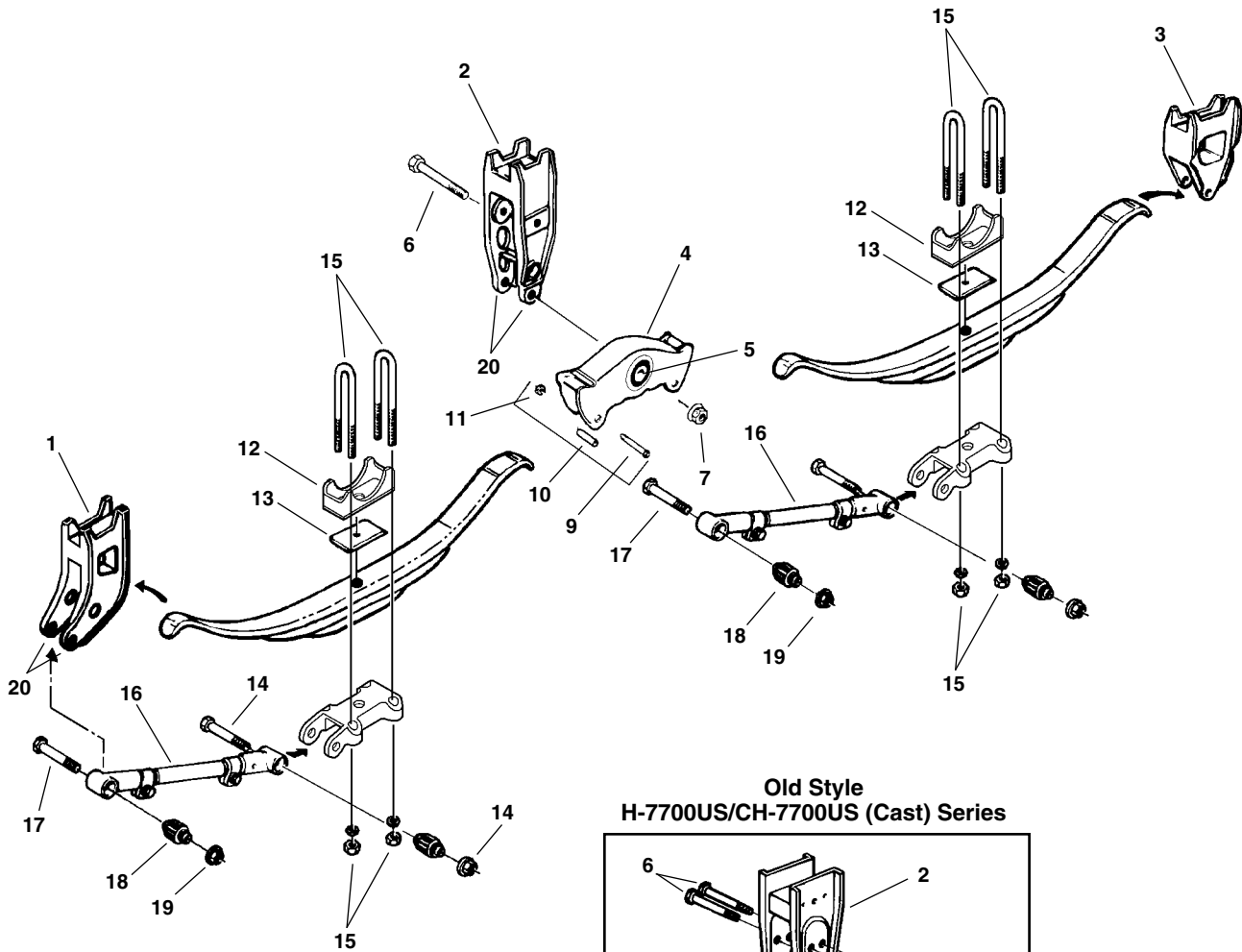
**We want the information to be as accurate as possible;
we appreciate your help in making it so.**

Write or call:

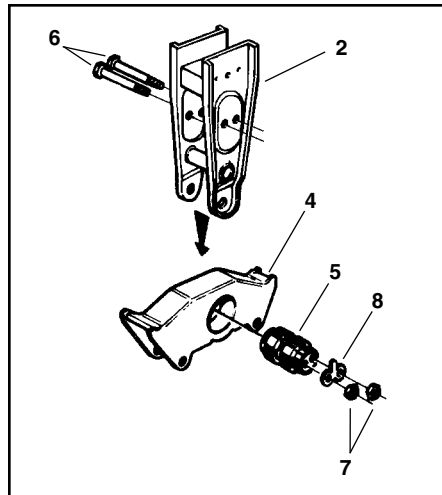
**Catalog Corrections
ArvinMeritor, Inc.
7975 Dixie Highway
Florence, KY 41042-2754
catalogfeedback@arvinmeritor.com**

HUTCHENS SUSPENSION

H-9700US/CH-9700US (Cast) and H-7700US/CH-7700US (Cast) Series Trailer



Old Style H-7700US/CH-7700US (Cast) Series



LEAF SPRING REFERENCES

SRI No.

TRA 021	Single Leaf
TRA 023	Single Leaf
TRA 2726	3 Leaf
TRA 2727	3 Leaf
TRA 2728	3 Leaf
TRA 2705	7 Leaf
TRA 2706	7 Leaf
TRA 2732	8 Leaf
TRA 2260	8 Leaf

HUTCHENS SUSPENSIONS PARTS

H-9700US/CH-9700US (Cast) and H-7700US/CH-7700US (Cast) Series

Trailer

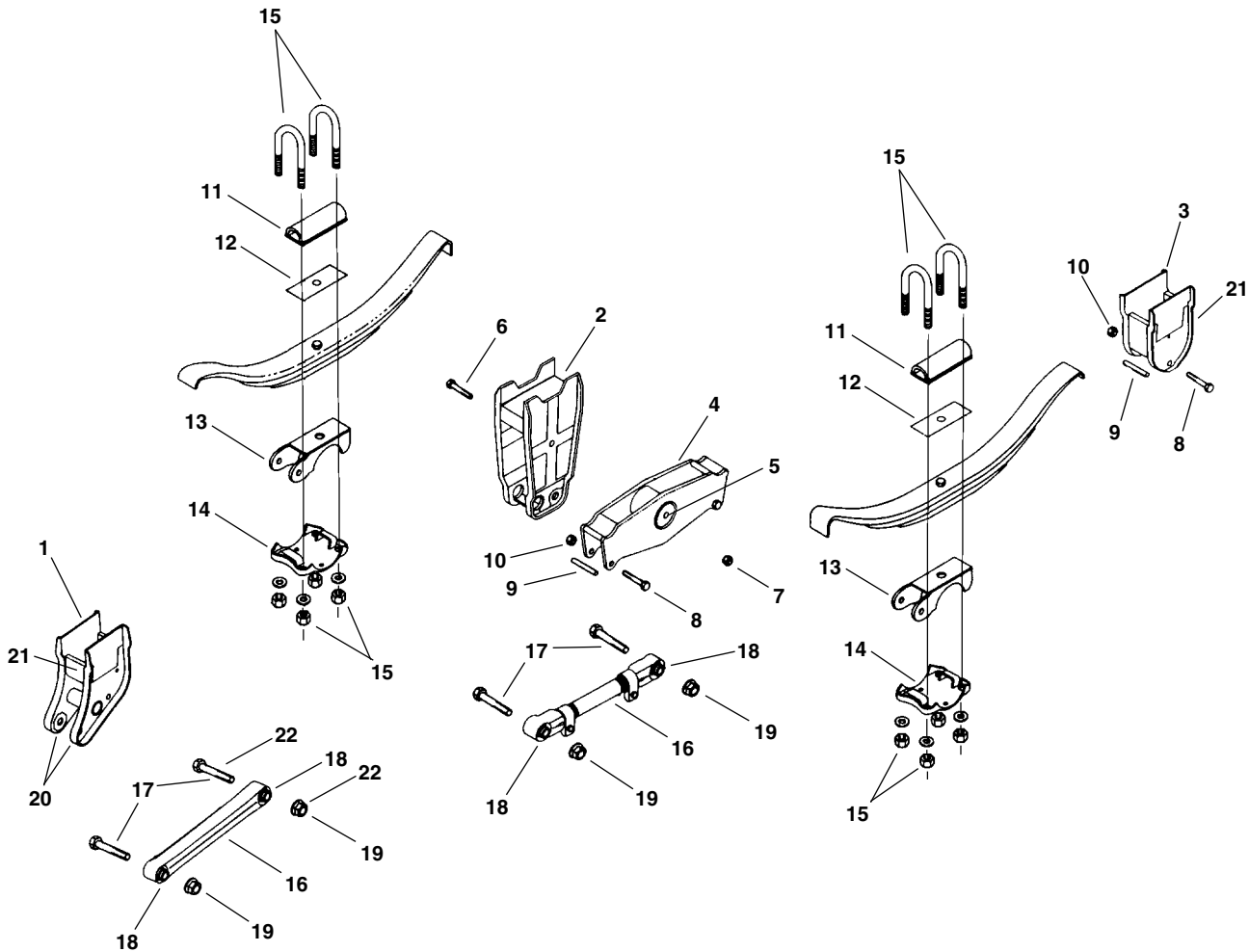
KEY NO.	MERITOR NO.	REPLACES HUTCHENS NO.	DESCRIPTION	QTY. PER TANDEM	H-9700 US	CH-9700 US	H-7700 US	CH-7700 US	PAGE NO.
—	R309484	16319-01	Hanger/Equalizer Assembly, Straddle Mount	2	X				1-270
	R309485	16319-02	Hanger/Equalizer Assembly, Under Mount		X				1-270
	S.O.S.	Other Hanger/Equalizer Assemblies, Specify Hanger Type			X	X	X	X	—
1	See Hanger Chart		Front Hanger	2	X	X	X	X	1-258
2	See Hanger Chart		Equalizer Hanger	2	X	X	X	X	1-258
3	See Hanger Chart		Rear Hanger	2	X	X	X	X	1-258
4	R307532	16158-01	Equalizer, Fabricated, One Bolt	2	X				1-263
	R309471	16290-01 (Old) 17784-01 (New)	Equalizer, Cast, One Bolt			X			
	R309567	—	Equalizer with Poly Bushing, One Bolt		X				
	R302781	750-03	Equalizer, Heavy Duty, Two Bolt				X		
	R302781A		Equalizer, OE Equivalent, Two Bolt				X		
	R309570	750-03	Equalizer, Standard Duty, Two Bolt				X		
	R307918	—	Equalizer with Poly Bushing, Two Bolt				X		
R302889	704-01(Old) 19137-01(New)	Equalizer, Cast, Two Bolt				X			
—	R309472 (Rubber)	—	Equalizer Bushing Assembly	2	X	X			1-264
	R309473 (Poly)		Includes Key Nos. 5, 6, 7						
—	R302003 (Rubber)	—	Equalizer Bushing Assembly	2			X	X	1-264
	R309474 (Poly)		Includes Key Nos. 5, 6, 7, 8						
—	R309475	—	Equalizer Bolt Kit Includes Key Nos. 6, 7, 9, 10, 11	2	X	X			1-264
—	R303414	—	Equalizer Bolt Kit Includes Key Nos. 6, 7, 8, 9, 10, 11	2			X	X	1-265
5	R307621 (Rubber)	16146-01(Old) 18723-01(New)	Equalizer Bushing	2	X	X			1-264
	R308666 (Poly)								
	R301999A (Rubber)	7010-00					X	X	1-264
	R307452 (Poly)								
6	R307533	16150-01	Equalizer Center Bolt	2	X	X			2-32
	R302000	7016-01		4			X	X	1-265
7	R304358	11154-00	Equalizer Nut	2	X	X			2-34
	R302002	37-01		4			X	X	2-34
8	R302001	729-00	Lock Tab	2			X	X	1-265
9	R303415	759-00	Equalizer Rebound Bolt	4	X	X	X	X	2-32
10	R303416	756-00	Equalizer Rebound Spacer	4	X	X	X	X	1-265
11	R302002	37-01	Equalizer Rebound Nut	4	X	X	X	X	2-34
12*	See Spring Seat Chart		Spring Seat	4	X	X	X	X	1-260
13	R302842	7052-02 (Old) 17350-02 (New)	Delrin Spring Liner Pad	8	X	X	X	X	1-268
14	R309839	—	Torque Arm Bolt and Nut	8	X	X	X	X	—
15	See U-Bolt Chart		U-Bolt Assembly	8	X	X	X	X	1-261
16	R303277	16398-04(New) 713-05 (Old)	Adjustable Torque Arm	2	X	X	X	X	1-267
	R302899	715-00	Rigid Torque Arm	2	X	X	X	X	1-267
—	R303079 (Rubber)	—	Torque Arm Bushing Assembly	8	X	X	X	X	1-266
	R309486 (Poly)		Includes Key Nos. 17, 18, and 19						
17	R302891	719-02	Torque Arm Bolt	8	X	X	X	X	2-32
18	R30934 (Rubber)	722-00	Torque Arm Bushing	8	X	X	X	X	1-266
	R307453 (Poly)								
19	R302892	10562-00	Torque Arm Nut	8	X	X	X	X	2-34
20	R307682	7717-01	Replacement Hanger Washer Bushing	As Required	X		X		—
21	R309487	755-03	Hanger Replacement Wear Pad	As Required	X		X		1-274

S.O.S. = Available through Meritor's S.O.S. Department

Notes: * For 4" x 6" Axles, contact S.O.S.

HUTCHENS TWS (TANDEM WIDESPREAD) SUSPENSION

H-9700 and CH-9700 (Cast) TWS 54.5
Trailer



LEAF SPRING REFERENCES

SRI No.

TRA 021	Single Leaf
TRA 023	Single Leaf
TRA 2726	3 Leaf
TRA 2727	3 Leaf
TRA 2728	3 Leaf
TRA 2705	7 Leaf
TRA 2706	7 Leaf
TRA 2732	8 Leaf
TRA 2260	8 Leaf

HUTCHENS TWS (TANDEM WIDESPREAD) SUSPENSION PARTS

H-9700 and CH-9700 (Cast) TWS 54.5

Trailer

KEY NO.	MERITOR NO.	REPLACES HUTCHENS NO.	DESCRIPTION	QUANTITY PER TANDEM	H-9700 TWS 54.5	CH-9700 TWS 54.5	PAGE NO.
1	See Hanger Chart		Front Hanger	2	X	X	1-258
2	See Hanger Chart		Equalizer Hanger	2	X	X	1-258
3	See Hanger Chart		Rear Hanger	2	X	X	1-258
4	S.O.S.	17604-01	Equalizer, Fabricated, Replaced with Cast	2	X	X	—
—	R309472 (Rubber)	—	Equalizer Bushing Assembly Includes Key Nos. 5, 6, 7	2	X	X	1-264
	R309473 (Poly)						
—	R309475	—	Equalizer Bolt Kit Includes Key Nos. 6, 7, 9, 10, 11	2	X	X	1-264
5	R307621 (Rubber)	16146-01(Old)	Equalizer Bushing	2	X	X	1-264
	R308666 (Poly)	18723-01(New)					
6	R307533	16150-01	Equalizer Center Bolt	2	X	X	2-32
7	R304358	11154-00	Equalizer Nut	2	X	X	2-34
8	R303415	759-00	Equalizer Rebound Bolt	4	X	X	2-32
9	R303416	756-00	Equalizer Rebound Spacer	4	X	X	1-265
10	N/A	37-02	Equalizer Rebound Nut	4	X	X	—
11	R302907A	16868-01 (New)	U-Bolt Top Plate	4	X	X	1-268
		7029-00 (Old)					
12	R302842	7052-02 (Old) 17350-02(New)	Delrin Spring Liner Pad	8	X	X	1-268
13	See Spring Seat Chart		Spring Seat	4	X	X	1-260
14	R302909	710-00	Bottom Plate, 5" Rd.	4	X	X	1-269
	R307636	7747-01	Bottom Plate, 5" Sq. Axle		X	X	
	R307635	7746-00	Bottom Plate, 4" x 6" Axle		X	X	
15	See U-Bolt Chart		U-Bolt Assembly	8	X	X	1-261
16	R303277	16398-04	Adjustable Torque Arm, 19 1/4" Center-to-Center Front, Roadside	2	X	X	1-267
	R307683	16398-05	Adjustable Torque Arm, 20 1/4" Center-to-Center Rear, Both	2	X	X	1-267
	R302899	715-00	Rigid Torque Arm, 19 1/4" Front, Curbside	2	X	X	1-267
—	R303079 (Rubber)	—	Torque Arm Bushing Assembly Includes Key Nos. 17, 18, and 19	8	X	X	1-266
	R309486 (Poly)						
17	R302891	719-02	Torque Arm Bolt	8	X	X	2-32
18	R30934 (Rubber)	722-00	Torque Arm Bushing	8	X	X	1-266
	R307453 (Poly)						
19	R302892	10562-00	Torque Arm Nut	8	X	X	2-34
20	R307682	7717-01	Replacement Hanger Washer Bushing	As Required	X		—
21	R309487	755-03	Hanger Replacement Wear Pad	As Required	X		1-274
22	R309839	—	Torque Arm Bolt and Nut	8	X	X	—

S.O.S. = Available through Meritor's S.O.S. Department

Notes:

For Optional Conversion to 3/4" U-Bolts, Use Bottom Plate # 16297-01 (available only for 5" Rd. axles) - Contact S.O.S. For Optional 3/4" U-Bolts, See U-Bolt Section

For "No-Hop" Optional Parts, Contact S.O.S.

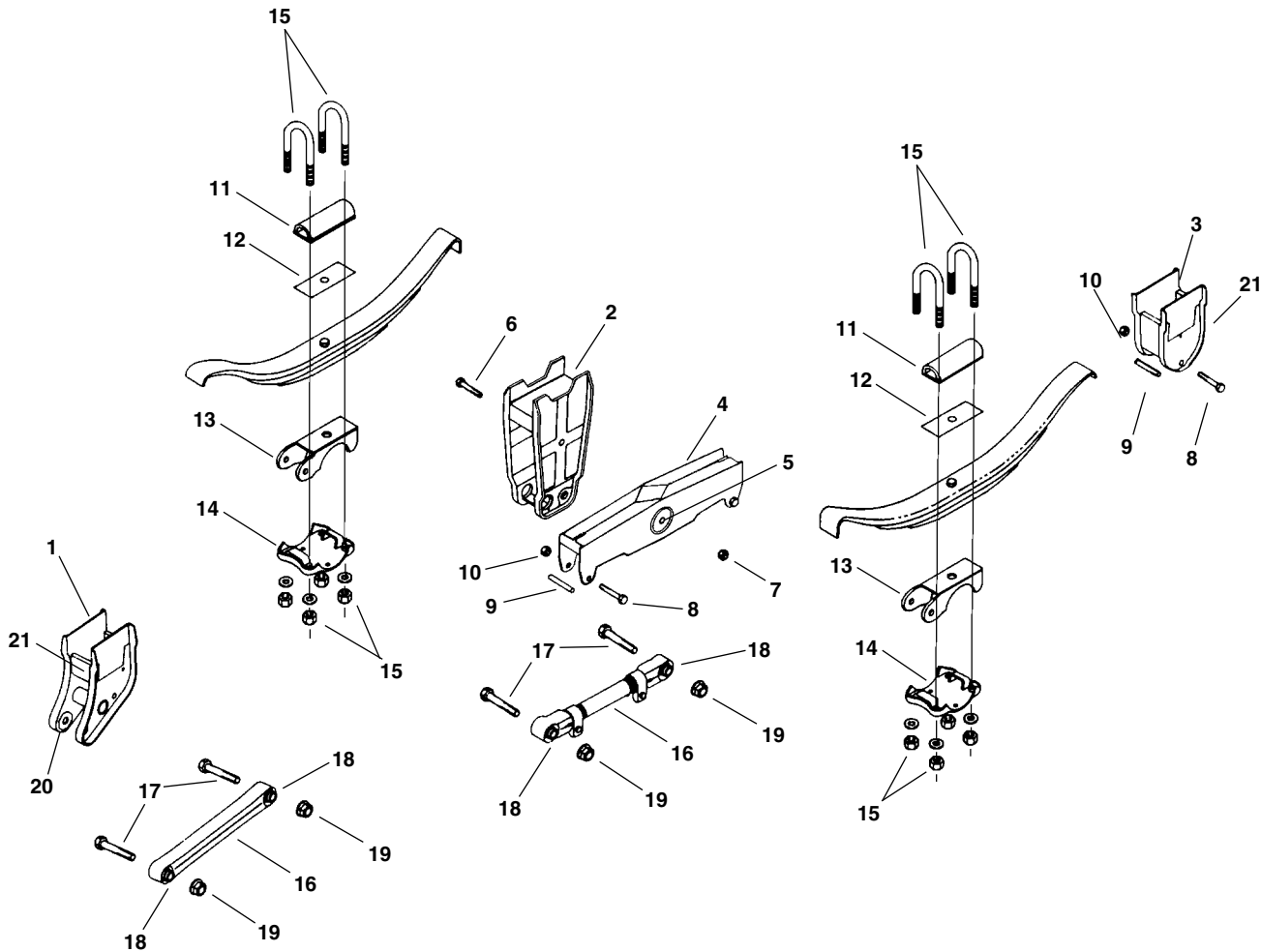
For "Inverted U-Bolt" Optional Parts, Contact S.O.S.

N/A = No Longer Available

HUTCHENS TWS (TANDEM WIDESPREAD) SUSPENSION

H-9700 TWS and CH-9700 (Cast) TWS 61 and 73
Trailer

1



LEAF SPRING REFERENCES

SRI No.

TRA 021	Single Leaf
TRA 023	Single Leaf
TRA 2726	3 Leaf
TRA 2727	3 Leaf
TRA 2728	3 Leaf
TRA 2705	7 Leaf
TRA 2706	7 Leaf
TRA 2732	8 Leaf
TRA 2260	8 Leaf

HUTCHENS TWS (TANDEM WIDESPREAD) SUSPENSION PARTS

H-9700 TWS and CH-9700 (Cast) TWS 61 and 73
Trailer

KEY NO.	MERITOR NO.	REPLACES HUTCHENS NO.	DESCRIPTION	QUANTITY PER TANDEM	H-9700 TWS 61	CH-9700 TWS 61	H-9700 TWS 73	CH-9700 TWS 73	PAGE NO.
1	See Hanger Chart		Front Hanger	2	X	X	X	X	1-258
2	See Hanger Chart		Equalizer Hanger	2	X	X	X	X	1-258
3	See Hanger Chart		Rear Hanger	2	X	X	X	X	1-258
4	R309489	16168-02 (Old) 21834-01(New)	Equalizer, Fabricated	2	X	X			1-263
	R309330	16168-04(Old) 21835-01(New)					X	X	1-263
—	R309472 (Rubber) R309473 (Poly)	—	Equalizer Bushing Assembly, Includes Key Nos. 5, 6, 7	2	X	X	X	X	1-264
—	R309475	—	Equalizer Bolt Kit, Includes Key Nos. 6, 7, 9, 10, 11	2	X	X	X	X	1-264
5	R307621 (Rubber) R308666 (Poly)	16146-01(Old) 18723-01(New)	Equalizer Bushing	2	X	X	X	X	1-264
	R307533	16150-01	Equalizer Center Bolt	2	X	X	X	X	2-32
7	R304358	11154-00	Equalizer Nut	2	X	X	X	X	2-34
8	R303415	759-00	Equalizer Rebound Bolt	4	X	X	X	X	2-32
9	R303416	756-00	Equalizer Rebound Spacer	4	X	X	X	X	1-265
10	N/A	37-02	Equalizer Rebound Nut	4	X	X	X	X	—
11	R302907A	16868-01 (New)	U-Bolt Top Plate	4	X	X	X	X	1-268
		7029-00 (Old)							
12	R302842	7052-02(Old) 17350-02(New)	Delrin Spring Liner Pad	8	X	X	X	X	1-268
13	See Spring Seat Chart		Spring Seat	4	X	X	X	X	1-260
14	R302909	710-00	Bottom Plate, 5" Rd.	4	X	X	X	X	1-269
	R307636	7747-01	Bottom Plate, 5" Sq. Axle		X	X	X	X	
	R307635	7746-00	Bottom Plate, 4" x 6" Axle		X	X	X	X	
15	See U-Bolt Chart		U-Bolt Assembly	8	X	X	X	X	1-261
16	R303277	16398-04	Adjustable Torque Arm, 19 1/4" Center-to-Center Front, Roadside	2	X	X	X	X	1-267
	R307684	16398-08	Adjustable Torque Arm, 23 1/2" Center-to-Center Rear, Both	2	X	X			1-267
	R307685	16398-12	Adjustable Torque Arm, 29 1/4" Center-to-Center Rear, Both	2			X	X	1-267
	R302899	715-00	Rigid Torque Arm, 19 1/4" Center-to-Center Front, Curbside	2	X	X	X	X	1-267
—	R303079 (Rubber) R309486 (Poly)	—	Torque Arm Bushing Assembly, Includes Key Nos. 17, 18, and 19	8	X	X	X	X	1-266
17	R302891	719-02	Torque Arm Bolt	8	X	X	X	X	2-32
18	R30934 (Rubber) R307453 (Poly)	722-00	Torque Arm Bushing	8	X	X	X	X	1-266
	R302892	10562-00	Torque Arm Nut	8	X	X	X	X	2-34
20	R307682	7717-01	Replacement Hanger Washer Bushing	As Required	X		X		—
21	R309487	755-03	Hanger Replacement Wear Pad	As Required	X		X		1-274

S.O.S. = Available through Meritor's S.O.S. Department

Notes:

For Optional Conversion to 3/4" U-Bolts, Use Bottom Plate # 16297-01 (available only for 5" Rd. axles) - Contact S.O.S.

For Optional 3/4" U-Bolts, See U-Bolt Section

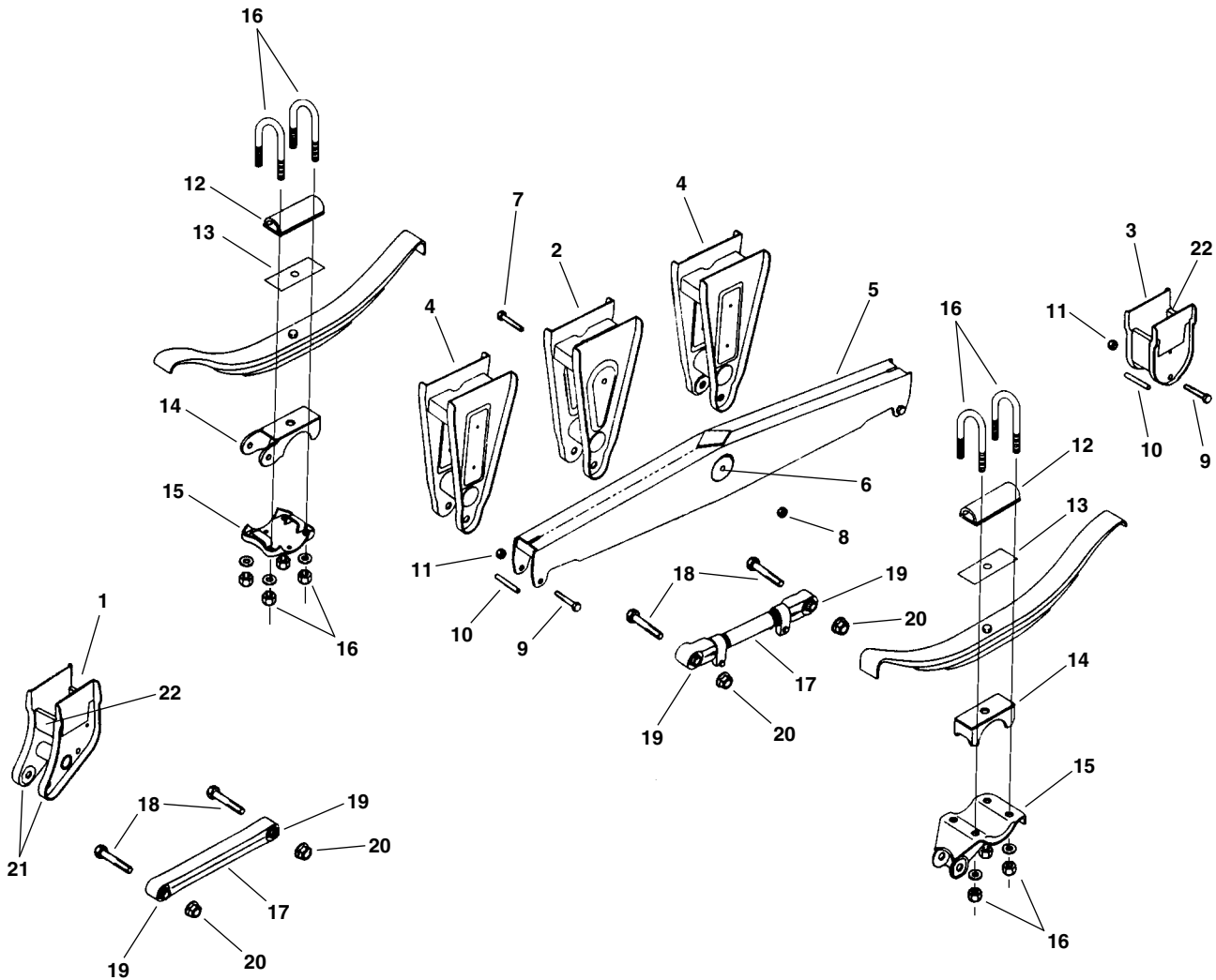
For "No-Hop" Optional Parts, Contact S.O.S.

For "Inverted U-Bolt" Optional Parts, Contact S.O.S.

N/A = No Longer Available

HUTCHENS TWS (TANDEM WIDESPREAD) SUSPENSION

H-9700 and CH-9700 (Cast) TWS 109 and 121
Trailer



LEAF SPRING REFERENCES

SRI No.

TRA 021	Single Leaf
TRA 023	Single Leaf
TRA 2726	3 Leaf
TRA 2727	3 Leaf
TRA 2728	3 Leaf
TRA 2705	7 Leaf
TRA 2706	7 Leaf
TRA 2732	8 Leaf
TRA 2260	8 Leaf

HUTCHENS TWS (TANDEM WIDESPREAD) SUSPENSION PARTS

H-9700 and CH-9700 (Cast) TWS 109 and 121
Trailer

KEY NO.	MERITOR NO.	REPLACES HUTCHENS NO.	DESCRIPTION	QTY. PER TANDEM	H-9700 TWS 109	CH-9700 TWS 109	H-9700 TWS 121	CH-9700 TWS 121	PAGE NO.
1	See Hanger Chart		Front Hanger	2	X	X	X	X	1-258
2	See Hanger Chart		Equalizer Hanger	2	X	X	X	X	1-258
3	See Hanger Chart		Rear Hanger	2	X	X	X	X	1-258
4	S.O.S.	7707-13	Beam Guide Hanger, Straddle Mount, Fabricated	4	X		X		—
	R307681	7707-14	Beam Guide Hanger, Under Mount, Fabricated	4	X		X		1-274
	S.O.S.	7708-09	Beam Guide Hanger, Straddle Mount, Cast	4		X		X	—
	S.O.S.	7708-11	Beam Guide Hanger, Under Mount, Cast	4		X		X	—
5	R309491	16168-10	Equalizer, Fabricated	2	X	X			1-263
	R309492	16168-13					X	X	1-263
—	R309472 (Rubber)	—	Equalizer Bushing Assembly, Includes Key Nos. 5, 6, 7	2	X	X	X	X	1-264
—	R309473 (Poly)								
—	R309475	—	Equalizer Bolt Kit, Includes Key Nos. 6, 7, 9, 10, 11	2	X	X	X	X	1-264
6	R307621 (Rubber)	16146-01 (Old)	Equalizer Bushing	2	X	X	X	X	1-264
	R308666 (Poly)	18723-01 (New)							
7	R307533	16150-01	Equalizer Center Bolt	2	X	X	X	X	2-32
8	R304358	11154-00	Equalizer Nut	2	X	X	X	X	2-34
9	R303415	759-00	Equalizer Rebound Bolt	4	X	X	X	X	2-32
10	R303416	756-00	Equalizer Rebound Spacer	4	X	X	X	X	1-265
11	N/A	37-02	Equalizer Rebound Nut	4	X	X	X	X	—
12	R302907A	16868-01 (New) 7029-00 (Old)	U-Bolt Top Plate	4	X	X	X	X	1-268
13	R302842	7052-02 (Old) 17350-02 (New)	Delrin Spring Liner Pad	8	X	X	X	X	1-268
14	See Spring Seat Chart		Spring Seat	4	X	X	X	X	1-260
15	R302909	710-00	Bottom Plate, 5" Rd., Front	2	X	X	X	X	1-269
	R307636	7747-01	Bottom Plate, 5" Sq. Axle, Front		X	X	X	X	
	R307635	7746-00	Bottom Plate, 4" x 6" Axle, Front		X	X	X	X	
	R307697	10775-00	Bottom Plate, 5" Rd., Rear	2	X	X	X	X	
	R307699	7738-01	Bottom Plate, 5" Sq. Axle, Rear		X	X	X	X	
	R307698	7738-00	Bottom Plate, 4" x 6" Axle, Rear		X	X	X	X	
16	See U-Bolt Chart		U-Bolt Assembly	8	X	X	X	X	1-261
17	R303277	16398-04	Adjust. T. Arm, 19 1/4" Front, Roadside	1	X	X	X	X	1-267
	R303390	16398-17	Adjust. T. Arm, 17 1/4", Rear	2	X	X	X	X	1-267
	R302899	715-00	Rigid T. Arm, 19 1/4" Front, Curbside	1	X	X	X	X	1-267
—	R303079 (Rubber)	—	Torque Arm Bushing Assembly Includes Key Nos. 18, 19, and 20	8	X	X	X	X	1-266
—	R309486 (Poly)								
18	R302891	719-02	Torque Arm Bolt	8	X	X	X	X	2-32
19	R30934 (Rubber)	722-00	Torque Arm Bushing	8	X	X	X	X	1-266
	R307453 (Poly)								
20	R302892	10562-00	Torque Arm Nut	8	X	X	X	X	2-34
21	R307682	7717-01	Replacement Hanger Washer Bushing	As Required	X		X		—
22	R309487	755-03	Hanger Replacement Wear Pad	As Required	X		X		1-274

S.O.S. = Available through Meritor's S.O.S. Department

Notes:

For Optional Conversion to 3/4" U-Bolts, Use Bottom Plates # 16297-01 & 16308-01 (available only for 5" Rd. axles) - Contact S.O.S.

For Optional 3/4" U-Bolts, See U-Bolt Section

For "No-Hop" Optional Parts, Contact S.O.S.

For "Inverted U-Bolt" Optional Parts, Contact S.O.S.

N/A = No Longer Available

HUTCHENS SPRING HANGERS

MOUNTING TYPES: FLB Flange Mount, Bolt-On
 FLW Flange Mount, Weld-On
 SM Side Mount
 ST Straddle Mount
 UM Under Mount

MERITOR NO.	REPLACES HUTCHENS NO.	DESCRIPTION	MOUNTING TYPE	SUSPENSION MODELS										PAGE NO.
				H-7600	H-7700	H-9600	H-9700 H-9700	H-9700 TWS 54.5	H-9700 TWS 61	H-9700 TWS 73	H-9700 TWS 109	TWS 121		
FABRICATED STEEL HANGERS														
S.O.S.	7602-05	Equalizer Hanger	FLB	X										—
R305072	7702-05	Equalizer Hanger	FLB		X									1-274
R309497	16178-01	Equalizer Hanger	FLB				X							1-271
S.O.S.	16192-01	Equalizer Hanger	FLB			X								—
S.O.S.	7602-03	Equalizer Hanger	FLW	X										—
S.O.S.	7702-04	Equalizer Hanger	FLW		X									—
S.O.S.	16179-01	Equalizer Hanger	FLW				X							—
S.O.S.	16191-01	Equalizer Hanger	FLW			X								—
S.O.S.	7602-04	Equalizer Hanger	SM	X										—
S.O.S.	7702-03	Equalizer Hanger	SM		X									—
S.O.S.	16175-01	Equalizer Hanger	SM				X							—
S.O.S.	16190-01	Equalizer Hanger	SM			X								—
R309495	7602-01	Equalizer Hanger	ST	X										1-271
R302911	7702-01	Equalizer Hanger	ST		X									1-273
R307534	16169-01	Equalizer Hanger	ST				X							1-273
S.O.S.	16184-01	Equalizer Hanger	ST								X	X		—
R309497	16187-01	Equalizer Hanger	ST			X								1-271
R309496	7602-02	Equalizer Hanger	UM	X										1-271
R302914	7702-02	Equalizer Hanger	UM		X									1-273
R309582	16171-01	Equalizer Hanger	UM				X							1-273
S.O.S.	16185-01	Equalizer Hanger	UM								X	X		—
R309498	16188-01	Equalizer Hanger	UM			X								1-271
S.O.S.	7601-07	Front Hanger, LH	FLB	X		X								—
R305070	7701-07	Front Hanger, LH	FLB		X		X	X	X	X	X	X	X	1-274
S.O.S.	7601-08	Front Hanger, RH	FLB	X		X								—
R305071	7701-08	Front Hanger, RH	FLB		X		X	X	X	X	X	X	X	1-274
S.O.S.	7601-03	Front Hanger, LH	FLW	X		X								—
S.O.S.	7701-05	Front Hanger, LH	FLW		X		X	X	X	X	X	X	X	—
S.O.S.	7601-04	Front Hanger, RH	FLW	X		X								—
S.O.S.	7701-06	Front Hanger, RH	FLW		X		X	X	X	X	X	X	X	—
S.O.S.	7601-05	Front Hanger, LH	SM	X		X								—
S.O.S.	7701-03	Front Hanger, LH	SM		X		X	X	X	X	X	X	X	—
S.O.S.	7601-06	Front Hanger, RH	SM	X		X								—
S.O.S.	7701-04	Front Hanger, RH	SM		X		X	X	X	X	X	X	X	—
R309493	7601-01	Front Hanger	ST	X		X								1-271
R302910A	7701-01	Front Hanger	ST				X	X	X	X	X	X	X	1-273
R309494	7601-02	Front Hanger	UM	X		X								1-271
R302913A	7701-02	Front Hanger	UM				X	X	X	X	X	X	X	1-273
S.O.S.	16481-01	Front Hanger - I-Beam	UM				X	X	X	X	X	X	X	—
S.O.S.	16482-02	Front Hanger - I-Beam	UM			X								—
R305073	7703-07	Rear Hanger, LH	FLB	X	X	X	X	X	X	X	X	X	X	1-274
R305074	7703-08	Rear Hanger, RH	FLB	X	X	X	X	X	X	X	X	X	X	1-274
S.O.S.	7703-05	Rear Hanger, LH	FLW	X	X	X	X	X	X	X	X	X	X	—
S.O.S.	7703-06	Rear Hanger, RH	FLW	X	X	X	X	X	X	X	X	X	X	—
S.O.S.	7703-03	Rear Hanger, LH	SM	X	X	X	X	X	X	X	X	X	X	—
S.O.S.	7703-04	Rear Hanger, RH	SM	X	X	X	X	X	X	X	X	X	X	—
R302912A	7703-01	Rear Hanger	ST	X	X	X	X	X	X	X	X	X	X	1-273
R302915A	7703-02	Rear Hanger	UM	X	X	X	X	X	X	X	X	X	X	1-273
S.O.S.	16483-01	Rear Hanger - I-Beam	UM			X	X	X	X	X	X	X	X	—

HUTCHENS SPRING HANGERS

MOUNTING TYPES: FLB Flange Mount, Bolt-On
 FLW Flange Mount, Weld-On
 SM Side Mount
 ST Straddle Mount
 UM Under Mount

MERITOR NO.	REPLACES HUTCHENS NO.	DESCRIPTION	MOUNTING TYPE	SUSPENSION MODELS										PAGE NO.
				CH-7600	CH-7700	CH-9600	CH-9700 CH-9700	CH-9700 TWS 54.5	CH-9700 TWS 61	CH-9700 TWS 73	CH-9700 TWS 109	TWS 121		
CAST STEEL HANGERS														
S.O.S.	703-06	Use R30HC16199-03 w/ proper Sgl. Hole Equal.	FLB		X									—
S.O.S.	7656-07	Use R30HC16202-03 w/ proper Sgl. Hole Equal.	FLB	X										—
S.O.S.	16199-03	Equalizer Hanger	FLB				X							—
S.O.S.	16202-03	Equalizer Hanger	FLB			X								—
S.O.S.	16641-03	Equalizer Hanger	FLB									X	X	—
S.O.S.	16183-03	Equalizer Hanger - LH	FLB					X	X	X				—
S.O.S.	16183-04	Equalizer Hanger - RH	FLB					X	X	X				—
S.O.S.	703-05	Use R30HC16199-05 w/ proper Sgl. Hole Equal.	FLW		X									—
S.O.S.	7656-06	Use R30HC16202-05 w/ proper Sgl. Hole Equal.	FLW	X										—
S.O.S.	16199-05	Equalizer Hanger	FLW				X							—
S.O.S.	16202-05	Equalizer Hanger	FLW			X								—
S.O.S.	16183-05	Equalizer Hanger - LH	FLW					X	X	X				—
S.O.S.	16183-06	Equalizer Hanger - RH	FLW					X	X	X				—
S.O.S.	703-03	Equalizer Hanger	SM / UM		X									—
S.O.S.	7656-04	Equalizer Hanger	SM / UM	X										—
S.O.S.	16181-01	Equalizer Hanger	SM / UM					X	X	X				—
R309501	16197-03	Equalizer Hanger	SM / UM				X							1-272
S.O.S.	16201-03	Equalizer Hanger	SM / UM			X								—
S.O.S.	703-01	Use R30HC16196-03 w/ proper Sgl. Hole Equal.	ST		X									—
S.O.S.	7656-01	R30HC16200-03 w/ proper Sgl. Hole Equal.	ST	X										—
S.O.S.	16180-01	Equalizer Hanger	ST					X	X	X				—
S.O.S.	16196-03	Equalizer Hanger	ST				X							—
S.O.S.	16200-03	Equalizer Hanger	ST			X								—
S.O.S.	16639-03	Equalizer Hanger	ST								X	X		—
S.O.S.	16640-03	Equalizer Hanger	UM								X	X		—
S.O.S.	702-11	Front Hanger, LH	FLB		X		X	X	X	X	X	X	X	—
S.O.S.	7655-07	Front Hanger, LH	FLB	X		X								—
S.O.S.	702-12	Front Hanger, RH	FLB		X		X	X	X	X	X	X	X	—
S.O.S.	7655-08	Front Hanger, RH	FLB	X		X								—
S.O.S.	702-09	Front Hanger, LH	FLW		X		X	X	X	X	X	X	X	—
S.O.S.	7655-05	Front Hanger, LH	FLW	X		X								—
S.O.S.	702-10	Front Hanger, RH	FLW		X		X	X	X	X	X	X	X	—
S.O.S.	7655-06	Front Hanger, RH	FLW	X		X								—
R309499	16291-03	Front Hanger, LH	SM / UM		X		X	X	X	X	X	X	X	1-272
S.O.S.	7655-03	Front Hanger, LH	SM / UM	X		X								—
R309500	16291-04	Front Hanger, RH	SM / UM		X		X	X	X	X	X	X	X	1-272
S.O.S.	7655-04	Front Hanger, RH	SM / UM	X		X								—
S.O.S.	702-01	Front Hanger	ST		X		X	X	X	X	X	X	X	—
S.O.S.	7655-00	Front Hanger	ST	X		X								—
S.O.S.	712-11	Rear Hanger, LH	FLB	X	X	X	X	X	X	X	X	X	X	—
S.O.S.	712-12	Rear Hanger, RH	FLB	X	X	X	X	X	X	X	X	X	X	—
S.O.S.	712-09	Rear Hanger, LH	FLW	X	X	X	X	X	X	X	X	X	X	—
S.O.S.	712-10	Rear Hanger, RH	FLW	X	X	X	X	X	X	X	X	X	X	—
R309502	16293-01	Rear Hanger, LH	SM / UM	X	X	X	X	X	X	X	X	X	X	1-272
R309503	16293-02	Rear Hanger, RH	SM / UM	X	X	X	X	X	X	X	X	X	X	1-272
S.O.S.	712-01	Rear Hanger	ST	X	X	X	X	X	X	X	X	X	X	—

1

HUTCHENS SPRING SEATS

MERITOR NO.	REPLACES HUTCHENS NO.	DESCRIPTION	H-9600 CH-9600 H-7600 CH-7600	H-9700 CH-9700 H-7700 CH-7700	H-9700US CH-9700US CH-7700US H-7700US	H-9700 CH-9700 TWS 54.5 61 and 73	H-9700 CH-9700 TWS 109 and 121
5' ROUND AXLE							
R307686	301-01	Spring Seat, 3/4" High			X		Rear
R307687	301-02	Spring Seat, 1 1/4" High			X		Rear
R307688	301-03	Spring Seat, 1 3/4" High			X		Rear
R307689	301-04	Spring Seat, 2 1/4" High			X		Rear
R302908	19360-01	Spring Seat, 3/4" High		X		X	Front
R307622	19360-02	Spring Seat, 1 1/4" High		X		X	Front
R307623	19360-03	Spring Seat, 1 3/4" High		X		X	Front
R307624	19360-04	Spring Seat, 2 1/4" High		X		X	Front
R307625	19360-05	Spring Seat, 2 3/4" High		X		X	Front
R307535	19360-06	Spring Seat, 3 1/4" High		X		X	Front
S.O.S.	19360-07	Spring Seat, 3 3/4" High		X		X	Front
S.O.S.	19360-08	Spring Seat, 4 1/4" High		X		X	Front
S.O.S.	19360-09	Spring Seat, 4 3/4" High		X		X	Front
R309527	19361-01	Spring Seat, 3/4" High	X				
S.O.S.	19361-02	Spring Seat, 1 1/4" High	X				
S.O.S.	19361-03	Spring Seat, 1 3/4" High	X				
R309528	19361-04	Spring Seat, 2 1/4" High	X				
S.O.S.	19361-05	Spring Seat, 2 3/4" High	X				
R309529	19361-06	Spring Seat, 3 1/4" High	X				
S.O.S.	19361-07	Spring Seat, 3 3/4" High	X				
S.O.S.	19361-08	Spring Seat, 4 1/4" High	X				
5" x 5" SQUARE AXLE							
S.O.S.	19362-01	Spring Seat, 3/4" High	X				
S.O.S.	19362-04	Spring Seat, 2 1/4" High	X				
S.O.S.	19362-06	Spring Seat, 3 1/4" High	X				
S.O.S.	19362-08	Spring Seat, 4 1/4" High	X				
R307630	19365-01	Spring Seat, 3/4" High		X		X	Front
R307631	19365-02	Spring Seat, 1 1/4" High		X		X	Front
R307632	19365-03	Spring Seat, 1 3/4" High		X		X	Front
R307633	19365-04	Spring Seat, 2 1/4" High		X		X	Front
R307634	19365-05	Spring Seat, 2 3/4" High		X		X	Front
S.O.S.	19365-06	Spring Seat, 3 1/4" High		X		X	Front
S.O.S.	19365-07	Spring Seat, 3 3/4" High		X		X	Front
S.O.S.	19365-08	Spring Seat, 4 1/4" High		X		X	Front
S.O.S.	19365-09	Spring Seat, 4 3/4" High		X		X	Front
R307693	7759-01 (Old) 22226-01 (New)	Spring Seat, 3/4" High			X		Rear
R307694	7759-02 (Old) 22226-04 (New)	Spring Seat, 1 1/4" High			X		Rear
R307695	7759-03 (Old) 22226-06 (New)	Spring Seat, 1 3/4" High			X		Rear
R307696	7759-04 (Old) 22226-08 (New)	Spring Seat, 2 1/4" High			X		Rear
4" x 6" RECTANGULAR AXLE							
S.O.S.	19363-01	Spring Seat, 3/4" High	X				
S.O.S.	19363-04	Spring Seat, 2 1/4" High	X				
S.O.S.	19363-06	Spring Seat, 3 1/4" High	X				
S.O.S.	19363-08	Spring Seat, 4 1/4" High	X				
R303867	19364-01	Spring Seat, 3/4" High		X		X	Front
R307626	19364-02	Spring Seat, 1 1/4" High		X		X	Front
R307627	19364-03	Spring Seat, 1 3/4" High		X		X	Front
R307628	19364-04	Spring Seat, 2 1/4" High		X		X	Front
R307629	19364-05	Spring Seat, 2 3/4" High		X		X	Front
S.O.S.	19364-06	Spring Seat, 3 1/4" High		X		X	Front
S.O.S.	19364-07	Spring Seat, 3 3/4" High		X		X	Front
S.O.S.	19364-08	Spring Seat, 4 1/4" High		X		X	Front
S.O.S.	19364-09	Spring Seat, 4 3/4" High		X		X	Front
R307690	7727-02	Spring Seat, 1 1/4" High			X		Rear
R3011728							

HUTCHENS U-BOLT ASSEMBLIES

MERITOR NO.	REPLACES HUTCHENS NO.	DESCRIPTION	H-9600 CH-9600 H-7600 CH-7600	H-9700 CH-9700 H-7700 CH-7700	H-9700US CH-9700US CH-7700US H-7700US	H-9700 CH-9700 TWS 54.5 61 and 73	H-9700 CH-9700 TWS 109 and 121
SPRINGS OVERSLUNG - ALL AXLES							
R30U8161-10	7040-06 (9 3/4")	U-Bolt Assembly, Round Bend, 7/8"-14 Thd. x 3" Wide x 10" Long	X	X	X	X	X
R30U5161-12 R30U8161-12	7040-07(10 1/4")	U-Bolt Assembly, Round Bend, 7/8"-14 Thd. x 3" Wide x 12" Long	X	X	X	X	X
	7040-08 (10 3/4")		X	X	X	X	
	7040-09 (11 1/4")		X	X	X	X	
	7040-10 (11 3/4")		X	X	X	X	
R30U5161-13	7040-11 (12 1/4")	U-Bolt Assembly, Round Bend, 7/8"-14 Thd. x 3" Wide x 13" Long	X	X	X	X	X
	7040-12 (12 3/4")		X	X	X	X	
R30U5161-14 R30U8161-14	7040-13 (13 1/4") 7040-14 (13 3/4")	U-Bolt Assembly, Round Bend, 7/8"-14 Thd. x 3" Wide x 14" Long	X X	X X	X X	X X	X X
R30U8161-16	7040-15 (14 1/4)	U-Bolt Assembly, Round Bend, 7/8"-14 Thd. x 3" Wide x 16" Long	X	X	X	X	X
	7040-16 (14 3/4")		X	X	X	X	
	7040-17 (15 1/4")		X	X	X	X	
	7040-18 (15 3/4")		X	X	X	X	
R30U5161-18 R30U8161-18	7040-19 (16 1/4")	U-Bolt Assembly, Round Bend, 7/8"-14 Thd. x 3" Wide x 18" Long	X	X	X	X	X
	7040-20 (16 3/4")		X	X	X	X	
	7040-21 (17 1/4")		X	X	X	X	
	7040-22 (17 3/4")		X	X	X	X	
R30U5161-22 R30U8161-22	7040-23 (18 1/4")	U-Bolt Assembly, Round Bend, 7/8"-14 Thd. x3" Wide x 22" Long	X	X	X	X	X
SPRINGS UNDERSLUNG ("US" MODELS) or OVERSLUNG WITH INVERTED U-BOLTS WITH 5" ROUND AXLES							
R30U8165-10	7816-05 (9 1/4")	U-Bolt Assembly, Round Bend, 7/8"-14 Thd. X 5" Wide x 10" Long	X	X			
	7816-06 (9 3/4")		X	X			
R30U5165-12 R30U8165-12	7816-07 (10 1/4")	U-Bolt Assembly, Round Bend, 7/8"-14 Thd. x 5" Wide x 12" Long	X	X			
	7816-08 (10 3/4")		X	X	X	X	
	7816-09 (11 1/4")		X	X	X	X	
	7816-10 (11 3/4")		X	X	X	X	
R30U5165-14 R30U8165-14	7816-11 (12 1/4")	U-Bolt Assembly, Round Bend, 7/8"-14 Thd. x 5" Wide x 14" Long	X	X	X	X	
	7816-12 (12 3/4")		X	X	X	X	
	7816-13 (13 1/4")		X	X	X	X	
	7816-14 (13 3/4")		X	X	X	X	
R30U5165-16 R30U8165-16	7816-15 (14 1/4")	U-Bolt Assembly, Round Bend, 7/8"-14 Thd. X 5" Wide x 16" Long	X	X	X	X	
	7816-16 (14 3/4")		X	X	X	X	
	7816-17 (15 1/4")		X	X			
	7816-18 (15 3/4")		X	X			
Reference pages 2-23 thru 2-30 for Meritor's complete U-Bolt program.							

1

HUTCHENS U-BOLT ASSEMBLIES

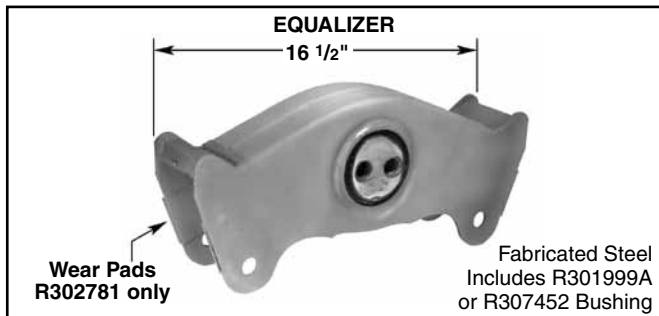
N/A = No Longer Available

MERITOR NO.	REPLACES HUTCHENS NO.	DESCRIPTION	H-9600 CH-9600 H-7600 CH-7600	H-9700 CH-9700 H-7700 CH-7700	H-9700US CH-9700US CH-7700US H-7700US	H-9700 CH-9700 TWS 54.5 61 and 73	H-9700 CH-9700 TWS 109 and 121
WITH 5" SQUARE AXLES							
N/A	7840-01 (9 1/4")	U-Bolt Assembly, Square Bend, 7/8"-14 Thd. x 5" Wide x 10" Long	X	X			
	7840-02 (9 3/4")		X	X			
N/A	7840-03 (10 1/4")	U-Bolt Assembly, Square Bend, 7/8"-14 Thd. x 5" Wide x 12" Long		X	X		
	7840-04 (10 3/4")		X	X	X	X	
	7840-05 (11 1/4")		X	X	X	X	X
	7840-06 (11 3/4")		X	X	X	X	X
N/A	7840-07 (12 1/4")	U-Bolt Assembly, Square Bend, 7/8"-14 Thd. x 5" Wide x 14" Long	X	X	X	X	
	7840-08 (12 3/4")		X	X	X	X	
	7840-09 (13 1/4")		X	X	X	X	X
	7840-10 (13 3/4")		X	X	X	X	
R308265-16	7840-11 (14 1/4")	U-Bolt Assembly, Square Bend, 7/8"-14 Thd. x 5" Wide x 16" Long	X	X	X	X	
	7840-12 (14 3/4")		X	X	X	X	
	7840-13 (15 1/4")		X	X			
	7840-14 (15 3/4")			X	X		

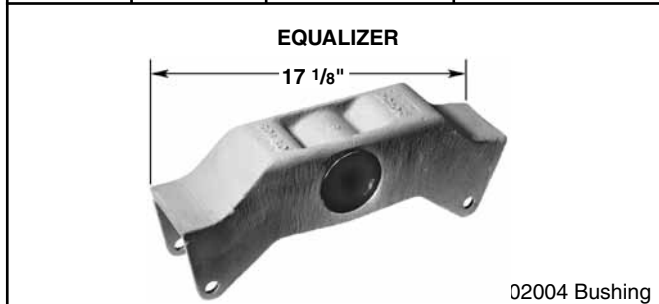
WITH 4" x 6" RECTANGULAR AXLES							
R30U8161-12	7040-09 (11 1/4")	U-Bolt Assembly, Round Bend, 7/8"-14 Thd. x 3" Wide x 12" Long			X	X	
	7040-10 (11 3/4")		X	X	X	X	
R30U816114	7040-11 (12 1/4")	U-Bolt Assembly, Round Bend, 7/8"-14 Thd. x 3" Wide x 14" Long		X	X	X	X
	7040-12 (12 3/4")		X	X	X	X	
	7040-13 (13 1/4")		X	X	X	X	
	7040-14 (13 3/4")			X	X	X	X
R30U816116	7040-15 (14 1/4")	U-Bolt Assembly, Round Bend, 7/8"-14 Thd. x 3" Wide x 16" Long	X	X	X	X	
	7040-16 (14 3/4")		X	X	X	X	
S.O.S.	7820-02 thru 7820-14	U-Bolts for Inverted Applications	X	X			

OPTIONAL 3/4" DIAMETER U-BOLTS							
R30U8151-10	16300-06 (9 3/4")	U-Bolt Assembly, Round Bend, 3/4"-16 Thd. x 3" Wide x 10" Long		X	X	X	X
R30U8151-12	16300-07 (10 1/4")	U-Bolt Assembly, Round Bend, 3/4"-16 Thd. x 3" Wide x 12" Long		X	X	X	X
	16300-08 (10 3/4")		X	X	X	X	
	16300-09 (11 1/4")		X	X	X	X	
	16300-10 (11 3/4")		X	X	X	X	
R30U8151-14	16300-11 (12 1/4")	U-Bolt Assembly, Round Bend, 3/4"-16 Thd. x 3" Wide x 14" Long		X	X	X	X
	16300-12 (12 3/4")		X	X	X	X	
	16300-13 (13 1/4")		X	X	X	X	
	16300-14 (13 3/4")		X	X	X	X	
R30U8151-16	16300-15 (14 1/4")	U-Bolt Assembly, Round Bend, 3/4"-16 Thd. x 3" Wide x 16" Long		X	X	X	X
	16300-16 (14 3/4")		X	X	X	X	
	16300-17 (15 1/4")		X	X	X	X	
	16300-18 (15 3/4")		X	X	X	X	
R30U8151-18	16300-19 (16 1/4")	U-Bolt Assembly, Round Bend, 3/4"-16 Thd. X 3" Wide x 18" Long		X	X	X	X

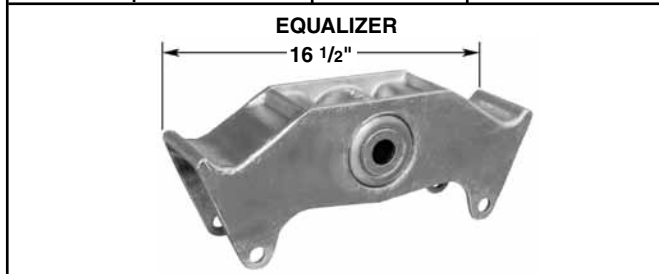
HUTCHENS EQUALIZERS AND BUSHINGS



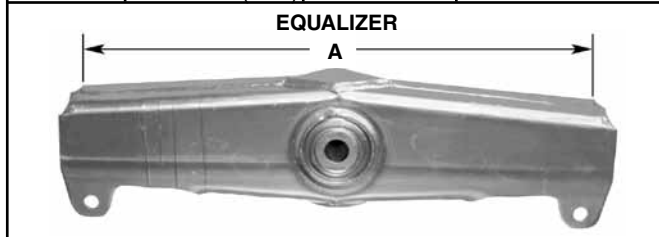
MERITOR NO.	REPLACES	FOR MODEL	GENERAL INFORMATION
R302781 (Shown)	Hutchens 750-03	H-7600, H-7700 H-7700US	Heavy-Duty with Side Plates
R302781A	Hutchens 750-03	H-7600, H-7700 H-7700US	OE Equivalent less Side Plates
R309570	Hutchens 750-03	H-7600, H-7700 H-7700US	Standard Duty
R307918	Hutchens 750-03	H-7600, H-7700 H-7700US	Includes R307452 Poly Bushing



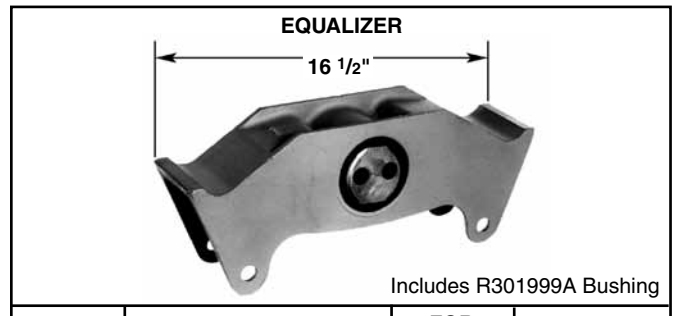
MERITOR NO.	REPLACES	FOR MODEL	APPLICATION
R302890	Hutchens 2224-01	H-2200	(Cast Steel) Truck



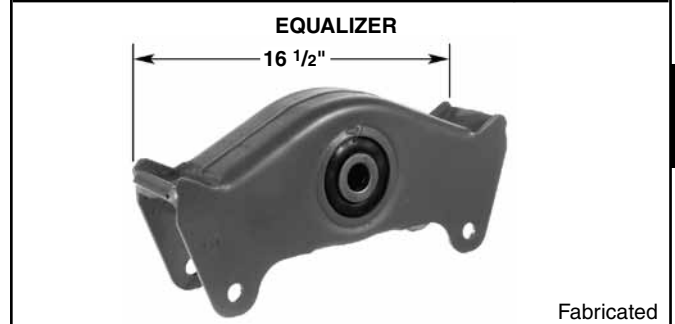
MERITOR NO.	REPLACES	FOR MODEL	APPLICATION
R309471	Hutchens 16290-01 (Old) 17784-01 (New)	CH-9600 CH-9700 CH-9700US	Includes R307621 Bushing



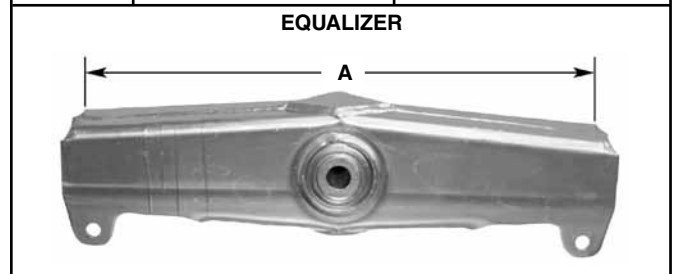
MERITOR NO.	REPLACES	FOR MODEL	APPLICATION
R309489	Hutchens 16168-02 (Old) 21834-01 (New)	H-9700 CH-9700	61" Widespread A = 26 1/2"



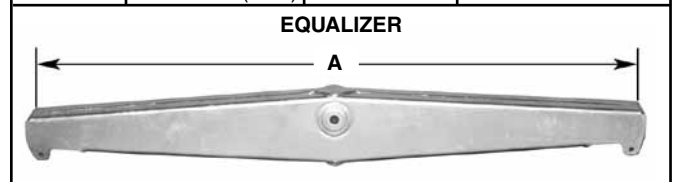
MERITOR NO.	REPLACES	FOR MODEL	APPLICATION
R302889	Hutchens 704-01 (Old) 19137-01 (New)	CH-7600 CH-7700 CH-7700US CH-9700	(Cast Steel) Trailer



MERITOR NO.	REPLACES	APPLICATION & GENERAL INFORMATION
R307532	Hutchens 16158-01	H-9700 with R307621 Rubber Bushing
R309567	—	H-9700 with Poly Bushing
R3011452	Hutchens 16159-01 (Old) 24711-01 (New)	H-9700 and CH-9700




MERITOR NO.	REPLACES	FOR MODEL	APPLICATION
R309330	Hutchens 16168-04 (Old) 21835-01 (New)	H-9700 CH-9700	73" Widespread A = 38 1/2"



MERITOR NO.	REPLACES	FOR MODEL	APPLICATION
R309491	Hutchens 16168-10	H-9700 CH-9700	109" Widespread A = 75"
R309492	16168-13	H-9700 CH-9700	121" Widespread A = 87"


HUTCHENS EQUALIZERS AND BUSHINGS

EQUALIZER BUSHING ASSEMBLY




MERITOR NO.	FOR MODEL	INCLUDES
R302003 (Rubber)	H-7600 H-7700	1 R301999A Bushing 2 R302000 Bolt
R309474 (Poly)	CH-7700 CH-7800	1 R302001 Tab Lock 2 R302002 Nut

EQUALIZER BUSHING




MERITOR NO.	REPLACES	FOR MODEL	O.D.	I.D.	LENGTH
R307621 (Rubber)	Hutchens 16146-01	H-9600 H-9700	3 1/2"	1 1/8"	3 7/8"
R308666 (Poly)		CH-9600 CH-9600			

EQUALIZER BUSHING ASSEMBLY



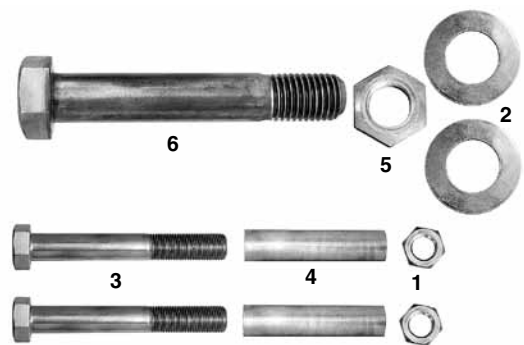
MERITOR NO.	FOR MODEL	INCLUDES
R309472 (Rubber)	H-9600 H-9700	1 R307621 Bushing 1 R307533 Bolt
R309473 (Poly)	CH-9600 CH-9700	1 R304358 Nut

RUBBER EQUALIZER BUSHING



MERITOR NO.	REPLACES	FOR MODEL	O.D.	LENGTH
R301999A (Rubber)	Hutchens 7010-00	H-7600 H-7700	3 1/4"	3 7/8"
R307452 (Poly)		CH-7700 CH-7800 CH-7600		

**EQUALIZER BOLT ASSEMBLY
R309475**




ITEM	QTY.	MERITOR NO.	REPLACES HUTCHENS NO. OR MODEL NO.	DESCRIPTION
1	2	R302002	37-01	Nut 5/8"-18 x 15/16" Hex x 17/32" High
2	2	R302548	H9600,H9700 CH-9600, CH9700	Washer
3	2	R303415	759-00	Rebound Bolt 5/8" -18 x 4 1/2" Long
4	2	R303416	756-00	Spacer Sleeve 7/8" O.D. x 21/32" I.D. x 3 7/32" O.A.L.
5	1	R304358	H9600,H9700 CH-9600, CH9700	Nut
6	1	R307533	H9600,H9700 CH-9600, CH9700	Equalizer Bolt


TORQUE ARM BUSHING ASSEMBLY



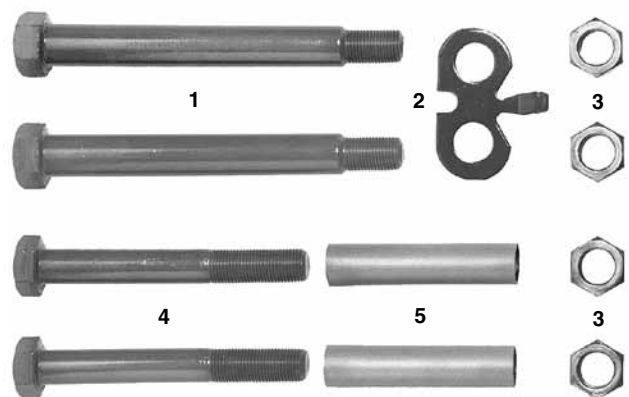
MERITOR NO.	REPLACES	FOR MODEL	QTY.	MERITOR NO.	DESCRIPTION
R309478 (Rubber)	H-7600 CH-7600 H-9600 CH-9600	H	1	R309480	Bolt
R309479 (Poly)			1	R301835	Nut
			1	R302833	Washer
			1	R309482	Washer
			2	R30927	Bushing or (Rubber) Bushing
		2	R307433 (Poly)	Bushing	

HUTCHENS EQUALIZER BUSHINGS & HARDWARE


TAB LOCK		
		
MERITOR NO.	REPLACES	FOR MODEL
R302001	Hutchens 729-00	All

EQUALIZER STEP BOLT					
					
MERITOR NO.	REPLACES	FOR MODEL	THD.	DIA.	LENGTH
R302000	Hutchens 7016-01	H-2200 H-7600 H-7700 CH-7600 CH-7700	5/8" - 18	3/4"	6"

HUTCHENS EQUALIZER BOLT KIT

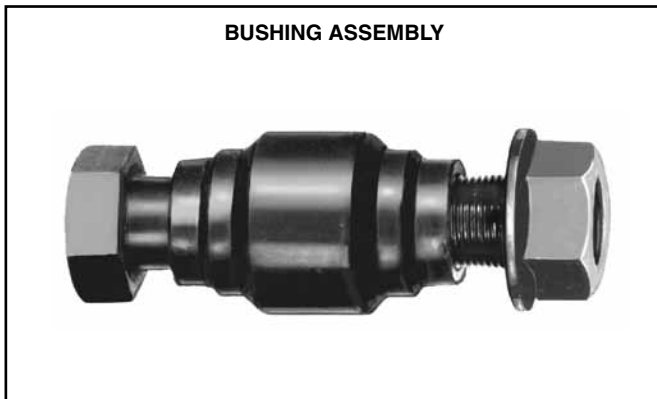
EQUALIZER BOLT KIT MERITOR KIT R303414 For Hutchens H-7600, H-7700 and H-2200				
				
ITEM	QTY.	MERITOR NO.	REPLACES HUTCHENS NO.	DESCRIPTION
1	2	R302000	7016-01	Equalizer Step Bolt 5/8"-18 x 3/4"x 6" Long
2	1	R302001	729-00	Lock Tab
3	4	R302002	37-01	Nut 5/8"-18 x 15/16" Hex x 17/32" High
4	2	R303415	759-00	Rebound Bolt 5/8" -18 x 4 1/2" Long
5	2	R303416	756-00	Spacer Sleeve 7/8" O.D. x 2 1/32" I.D. x 3 7/32" O.A.L.

HUTCHENS TORQUE ARM BUSHINGS

BUSHING ASSEMBLY		
		
MERITOR NO.	FOR MODEL	INCLUDES
R301075	H-2200	2 R301038 Bushing 1 R301073 Bolt 2 R301074 Washer 1 S.O.S. Nut

BUSHING ASSEMBLY		
		
MERITOR NO.	FOR MODEL	INCLUDES
R309478	H-7600 CH-7600 H-9600 CH-9600	2 R30927 Bushing 1 R302833 Washer 1 R301835 Nut 1 R309480 Bolt 1 R309482 Washer

HUTCHENS TORQUE ARM BUSHINGS



MERITOR NO.	FOR MODEL	INCLUDES
R303079 (Rubber)	H-7700 CH-7700	1 R30934 Bushing 1 R302891 Bolt
R309486 (Poly)	CH-7800	1 R302892 Nut



MERITOR NO.	REPLACES	DIMENSIONS
R30927 (Rubber)	Hutchens 7620-00 H-9600, CH-9600	2 3/16" Large O.D. 1 1/4" I.D.
R307433 (Poly)	H-7600, CH-7600	2 3/8" Long

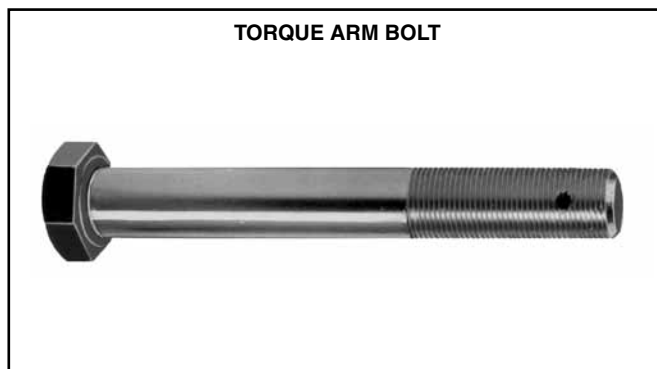


MERITOR NO.	REPLACES	FOR MODEL	DIMENSIONS
R301038 (Rubber)	Hutchens 222-00	H-2200	1 3/4" Sm. O.D. 2 3/16" Lg. O.D. 1" I.D. 3 1/8" Long

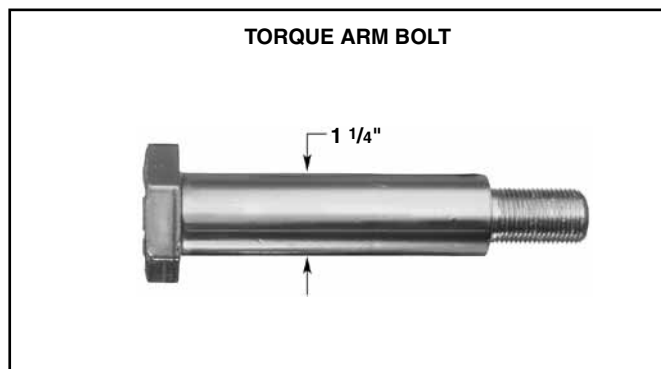


MERITOR NO.	REPLACES	FOR MODEL	DIMENSIONS
R30934 (Rubber)	Hutchens 722-00	H-7700 CH-7700 CH-7800	1 29/32" O.D. 1" I.D. 3" Long
R307453 (Poly)			

HUTCHENS TORQUE ARM BOLTS AND HARDWARE



MERITOR NO.	REPLACES	FOR MODEL	DIMENSIONS
R301073	Hutchens 2219-02	H-2200	1" - 14 Thd. 7 1/4" Long



MERITOR NO.	REPLACES	FOR MODEL	DIMENSIONS
R309480	Hutchens 12709-01	H-7600 H-9600 CH-7600 CH-9600	7/8"-14 Thd.

HUTCHENS TORQUE ARMS

ADJUSTABLE



TYPE 1

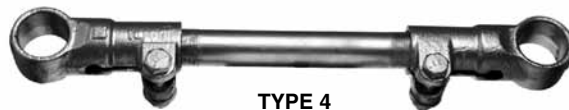


TYPE 3

Heavy-Duty Cast Version of Type 1



TYPE 2



TYPE 4

MERITOR NO. WITH BUSHINGS	MERITOR NO. LESS BUSHINGS	REPLACES HUTCHENS NO.	FOR MODEL	MERITOR BUSHING NO.	MERITOR BUSHING KIT NO.	LENGTH Center-to-Center	TYPE
R303276	—	713-02 16398-02	H-7700, CH-7700, CH-7800, H-9700, CH-9700	R30934	R303079	16"	1
R303277	—	713-05 16398-04	H-7700, CH-7700, CH-7800, H-9700, CH-9700	R30934	R303079	19 1/4"	1
R303390	—	16398-17	H-7700, CH-7700, CH-7800, H-9700, CH-9700	R30934	R303079	17 1/4"	1
R307683	—	16398-05	H-7700, CH-7700, CH-7800, H-9700, CH-9700	R30934	R303079	20 1/4"	1
R3011448	—	16398-06	H-7700, CH-7700, CH-7800, H-9700, CH-9700	R30934	R303079	21 1/2"	1
R307684	—	16398-08	H-7700, CH-7700, CH-7800, H-9700, CH-9700	R30934	R303079	23 1/2"	1
R307685	—	16398-12	H-7700, CH-7700, CH-7800, H-9700, CH-9700	R30934	R303079	29 1/4"	1
—	R302898	2213-00 16399-01	H-2200	R301038	R301075	19 1/4"	2
R302510	R302292	713-02 16398-02	H-7700, CH-7700, CH-7800, H-9700, CH-9700	R30934	R303079	16"	3
R302511	R302293	713-05 16398-04	H-7700, CH-7700, CH-7800, H-9700, CH-9700	R30934	R303079	19 1/4"	3
—	R309476	16167-04	H-7600, H-9600, CH-7600, CH-9600	R30927	R309478	19 1/4"	4

RIGID



R302899



R309477

MERITOR NO. WITH BUSHINGS	MERITOR NO. LESS BUSHINGS	REPLACES HUTCHENS NO.	FOR MODEL	MERITOR BUSHING NO.	MERITOR BUSHING KIT NO.	LENGTH Center-to-Center
R302899	—	715-00	H-7700, CH-7700, CH-7800, H-9700, CH-9700	R30934	R303079	19 1/4"
—	R309477	11953-01	H-7600, H-9600 CH-7600, CH-9600 H-9700, CH-9700	R30927	R309478	19 1/4"

HUTCHENS AXLE ATTACHING PARTS

TOP PLATE



3" Wide
7 1/2" Long

For Alternate
"Solid" Version
Use R302873

MERITOR NO.	REPLACES	FOR MODEL	APPLICATION
R302907A	Hutchens 16868-01 7029-00	All	For All Standard & No-Hop Axle Applications

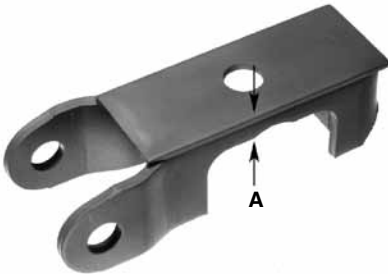
DELTRIN SPRING LINER



.043" Thick
2 7/8" Wide
8" Long

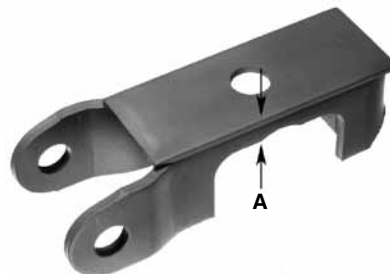
MERITOR NO.	REPLACES	FOR MODEL	APPLICATION
R302842	Hutchens 7052-02	All	For Single and Three Leaf Springs

SPRING SEAT - 4" x 6" AXLE



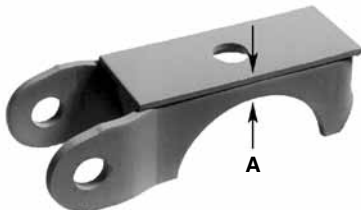
MERITOR NO.	REPLACES HUTCHENS	SEAT HEIGHT "A"	APPLICATION & GENERAL INFORMATION
R303867	19364-01	3/4"	H-7700, CH-7700, H-9700 and CH-9700 Suspensions
R307626	19364-02	1 1/4"	
R307627	19364-03	1 3/4"	
R307628	19364-04	2 1/4"	
R307629	19364-05	2 3/4"	

AXLE SEAT - 5" SQUARE AXLE



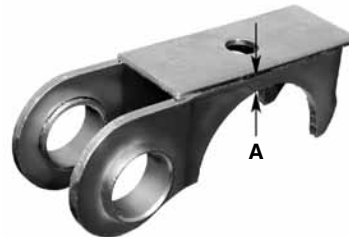
MERITOR NO.	REPLACES HUTCHENS	SEAT HEIGHT "A"	APPLICATION & GENERAL INFORMATION
R307630	19365-01	3/4"	H-7700, CH-7700, H-9700 and CH-9700 Suspensions
R307631	19365-02	1 1/4"	
R307632	19365-03	1 3/4"	
R307633	19365-04	2 1/4"	
R307634	19365-05	2 3/4"	

SPRING SEAT - 5" ROUND AXLE






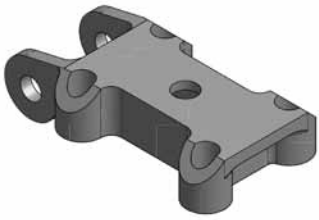
MERITOR NO.	REPLACES HUTCHENS	SEAT HEIGHT "A"	APPLICATION & GENERAL INFORMATION
R302908	19360-01	3/4"	H-7700, CH-7700, H-9700 and CH-9700 Suspensions
R307622	19360-02	1 1/4"	
R307623	19360-03	1 3/4"	
R307624	19360-04	2 1/4"	
R307625	19360-05	2 3/4"	
R307535	19360-06	3 1/4"	




SPRING SEAT - 5" ROUND AXLE



MERITOR NO.	REPLACES	FOR MODEL	A
R309527	Hutchens 19361-01	H-9600 CH-9600 H-7600 CH-7600	3/4" High
R309528	Hutchens 19361-02		2 1/4" High
R309529	Hutchens 19361-06		3 1/4" High





HUTCHENS AXLE ATTACHING PARTS

BOTTOM PLATE - 5" ROUND AXLE		
		
MERITOR NO.	REPLACES	APPLICATION & GENERAL INFORMATION
R302909	Hutchens 710-00	All
BOTTOM PLATE - 5" AXLE		
		
MERITOR NO.	REPLACES	APPLICATION & GENERAL INFORMATION
R307636	Hutchens 7747-01	H-7700, CH-7700, H-9700 and CH-9700 Suspensions
BOTTOM PLATE - 5" x 5" AXLE		
		
MERITOR NO.	REPLACES	APPLICATION & GENERAL INFORMATION
R305229	Hutchens 10488-00	H-900 Suspension
BOTTOM PLATE		
		
MERITOR NO.	REPLACES	APPLICATION & GENERAL INFORMATION
R3011728	Hutchens 706-01	H-9700US (underslung) CH-9700US (underslung)

BOTTOM PLATE - 4" x 6" AXLE		
		
MERITOR NO.	REPLACES	APPLICATION & GENERAL INFORMATION
R307635	Hutchens 7746-00	H-7700, CH-7700, H-9700 and CH-9700 Suspensions
BOTTOM PLATE - NO HOP		
		
MERITOR NO.	REPLACES	APPLICATION & GENERAL INFORMATION
R307697	Hutchens 10775-00	5" Round, Rear
R307698	7738-00	4" x 6", Rear
R307699	7738-01	5" Square, Rear
BOTTOM PLATE		
		
MERITOR NO.	REPLACES	APPLICATION & GENERAL INFORMATION
R305231A	Hutchens 820-00	H-900 Suspension

1


HUTCHENS HANGER & EQUALIZER ASSEMBLIES

<p>HANGER / EQUALIZER STRADDLE MOUNT</p> 	<p>MERITOR NO.</p>	<p>REPLACES</p>	<p>APPLICATION</p>
<p>HANGER / EQUALIZER UNDER MOUNT</p> 	<p>MERITOR NO.</p>	<p>REPLACES</p>	<p>APPLICATION</p>
<p>HANGER / EQUALIZER STRADDLE MOUNT</p> 	<p>MERITOR NO.</p>	<p>REPLACES</p>	<p>APPLICATION</p>
<p>HANGER / EQUALIZER UNDER MOUNT</p> 	<p>MERITOR NO.</p>	<p>REPLACES</p>	<p>APPLICATION</p>

1

HUTCHENS SPRING HANGERS PARTS




H-7600/H-9600

FRONT HANGER STRADDLE MOUNT	MERITOR NO.	REPLACES	FOR MODEL	FRONT HANGER UNDER MOUNT	MERITOR NO.	REPLACES	FOR MODEL
	R309493	Hutchens 7601-01	H-7600 H-9600		R309494	Hutchens 7601-02	H-7600 H-9600
CENTER HANGER STRADDLE MOUNT	MERITOR NO.	REPLACES	FOR MODEL	CENTER HANGER UNDER MOUNT	MERITOR NO.	REPLACES	FOR MODEL
	R309495	Hutchens 7602-01	H-7600		R309496	Hutchens 7602-02	H-7600
CENTER HANGER STRADDLE MOUNT	MERITOR NO.	REPLACES	FOR MODEL	CENTER HANGER UNDER MOUNT	MERITOR NO.	REPLACES	FOR MODEL
	R309497	Hutchens 16187-01	H-9600		R309498	Hutchens 16188-01	H-9600
REAR HANGER STRADDLE MOUNT	MERITOR NO.	REPLACES	FOR MODEL	REAR HANGER UNDER MOUNT	MERITOR NO.	REPLACES	FOR MODEL
	R302912A	Hutchens 7703-1	H-7600 H-9600		R302915A	Hutchens 7703-02	H-7600 H-9600

1

HUTCHENS SPRING HANGERS PARTS

Cast - CH-7700/CH-9700

FRONT HANGER SIDE/UNDER MOUNT	MERITOR NO.	REPLACES	FOR MODEL
 <p>Wide Flange On This Side For Right Hand</p>	R309499 Left Hand	Hutchens 16291-03	CH-7700 CH-9700
	R309500 Right Hand (Shown)	Hutchens 16291-04	
CENTER HANGER SIDE/UNDER MOUNT	MERITOR NO.	REPLACES	FOR MODEL
	R309501	Hutchens 16197-03	CH-9700
REAR HANGER SIDE/UNDER MOUNT	MERITOR NO.	REPLACES	FOR MODEL
 <p>Wide Flange On This Side For Right Hand</p>	R309502 Left Hand	Hutchens 16293-01	CH-7700 CH-9700
	R309503 Right Hand (Shown)	Hutchens 16293-02	

S.O.S.
Special Order Service









- *Can't find it?*
- *Trouble sourcing products?*
- *Need assistance?*

Let Meritor's Special Order Service (S.O.S.) help you find your Hutchens parts!

Meritor's position as the market leader provides you access to a comprehensive array of truck parts products from the industry's leading manufacturers. Through Meritor, these entire product lines are available to you just by placing a phone call to Meritor's S.O.S. Department.

HUTCHENS SPRING HANGERS PARTS




H-7700/H-9700

<p>FRONT HANGER STRADDLE MOUNT</p> 	<p>MERITOR NO.</p> <p>R302910A</p>	<p>REPLACES</p> <p>Hutchens 7701-01</p>	<p>FOR MODEL</p> <p>H-7700 H-9700</p>	<p>FRONT HANGER UNDER MOUNT</p> 	<p>MERITOR NO.</p> <p>R302913A</p>	<p>REPLACES</p> <p>Hutchens 7701-02</p>	<p>FOR MODEL</p> <p>H-7700 H-9700</p>
<p>CENTER HANGER STRADDLE MOUNT</p> 	<p>MERITOR NO.</p> <p>R302911</p>	<p>REPLACES</p> <p>Hutchens 7702-01</p>	<p>FOR MODEL</p> <p>H-7700</p>	<p>CENTER HANGER UNDER MOUNT</p> 	<p>MERITOR NO.</p> <p>R302914</p>	<p>REPLACES</p> <p>Hutchens 7702-02</p>	<p>FOR MODEL</p> <p>H-7700</p>
<p>CENTER HANGER STRADDLE MOUNT</p> 	<p>MERITOR NO.</p> <p>R307534</p>	<p>REPLACES</p> <p>Hutchens 16169-01</p>	<p>FOR MODEL</p> <p>H-9700</p>	<p>CENTER HANGER UNDER MOUNT</p> 	<p>MERITOR NO.</p> <p>R309582</p>	<p>REPLACES</p> <p>Hutchens 16171-01</p>	<p>FOR MODEL</p> <p>H-9700</p>
<p>REAR HANGER STRADDLE MOUNT</p> 	<p>MERITOR NO.</p> <p>R302912A</p>	<p>REPLACES</p> <p>Hutchens 7703-01</p>	<p>FOR MODEL</p> <p>H-7700 H-9700</p>	<p>REAR HANGER UNDER MOUNT</p> 	<p>MERITOR NO.</p> <p>R302915A</p>	<p>REPLACES</p> <p>Hutchens 7703-02</p>	<p>FOR MODEL</p> <p>H-7700 H-9700</p>

1





HUTCHENS SPRING HANGERS PARTS


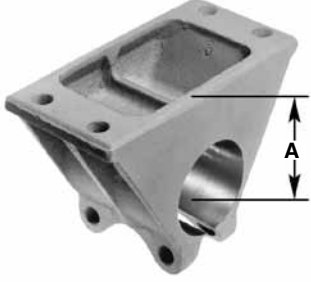

H-7700/H-9700

FRONT HANGER FLANGE MOUNT	MERITOR NO.	REPLACES	APPLICATION & GENERAL INFORMATION
	R305070 (Shown)	Hutchens 7701-07 Left Hand Drilled	H-7700
	R305071	Hutchens 7701-08 Right Hand Drilled	
CENTER HANGER FLANGE MOUNT	MERITOR NO.	REPLACES	APPLICATION & GENERAL INFORMATION
	R305072	Hutchens 7702-05 Drilled	H-7700
REAR HANGER FLANGE MOUNT	MERITOR NO.	REPLACES	APPLICATION & GENERAL INFORMATION
	R305073 (Shown)	Hutchens 7703-07 Left Hand Drilled	H-7700
	R305074	Hutchens 7703-08 Right Hand Drilled	

HANGER WEAR PAD			
MERITOR NO.	REPLACES	GENERAL INFORMATION	
			
R304828	—	Use with R302910, R302911, and R302912. Fits standard version. Cannot be used with "A" version of hangers.	
HANGER WEAR PAD			
		3" wide x 7" Long x 5/16" Thick Use with all Hangers except R302910A, R302911A, and R302912A.	
MERITOR NO.	REPLACES	FOR MODEL	
R309487	Hutchens 755-03	H-9700 H-7700	
BEAM GUIDE HANGER UNDER MOUNT	MERITOR NO.	REPLACES	APPLICATION & GENERAL INFORMATION
	R307681	Hutchens 7707-14	H-9700 CH-9700 TWS-109 TWS-121

HUTCHENS H-900 SINGLE POINT SUSPENSION PARTS

TRUNNION HALF				
				
MERITOR NO.	REPLACES	APPLICATION		
R305210	Hutchens 850-01	Upper Half — Overslung Lower Half — Underslung		
TRUNNION HALF				
				
MERITOR NO.	REPLACES	APPLICATION		
R305212	Hutchens 892-00	Upper Half — Underslung		
TRUNNION BUSHING				
				
MERITOR NO.	REPLACES	O.D.	I.D.	LENGTH
R305216 (Rubber)	Hutchens 890-00	5"	4"	9"
R307455 (Poly)				
TRUNNION SHAFT				
				
MERITOR NO.	REPLACES	O.D.	LENGTH	WALL THICKNESS
R302964	Hutchens 893-01	4"	48"	1/2"
R305218	Hutchens 893-02	4"	48"	3/4"

TRUNNION HALF				
				
MERITOR NO.	REPLACES	APPLICATION		
R305211	Hutchens 898-00	Lower Half — Overslung		
TRUNNION MOUNTING BRACKET				
				
MERITOR NO.	REPLACES	MOUNTING HEIGHT "A"		
R305213	Hutchens 8509-01	2 1/2"		
R304312	Hutchens 10476-03	4 1/2"		
R305214	Hutchens 849-01	6 1/2"		
R305215	Hutchens 897-01	8 1/2"		
TRUNNION WASHER				
				
MERITOR NO.	REPLACES	O.D.	I.D.	THICKNESS
R305219	Hutchens 895-00	5 3/4"	4 1/32"	3/16"

HUTCHENS H-900 SINGLE POINT SUSPENSION PARTS

**SPRING END CAP — OVERSLUNG AXLE
2 Main Leaf Spring**



MERITOR NO.	REPLACES	APPLICATION
R305220	Hutchens 10049-00	36,000 lb. suspensions

**SPRING SEAT — OVERSLUNG AXLE
5" Round Axle**



MERITOR NO.	REPLACES	APPLICATION
R305222	Hutchens 9934-02	36,000, 42,000 & 50,000 lb. suspensions

**SPRING END CAP — UNDERSLUNG AXLE
2 Main Leaf Spring**



MERITOR NO.	REPLACES	APPLICATION
R305224	Hutchens 10050-02	36,000 lb. suspensions

**SPRING SEAT — UNDERSLUNG AXLE
5" Round Axle**



MERITOR NO.	REPLACES	APPLICATION
R305226	Hutchens 9938-00	36,000, 42,000 & 50,000 lb. suspensions

**SPRING END CAP — OVERSLUNG AXLE
3 Main Leaf Spring**



MERITOR NO.	REPLACES	APPLICATION
R305221	Hutchens 9937-00	42,000 -50,000 lb. suspensions

**SPRING SEAT — OVERSLUNG AXLE
5" Square Axle**



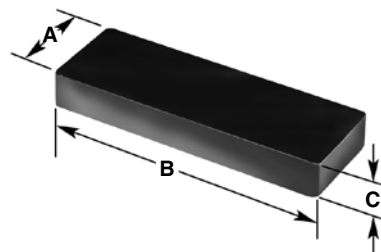
MERITOR NO.	REPLACES	APPLICATION
R305223	Hutchens 9935-02	36,000, 42,000 & 50,000 lb. suspensions

**SPRING END CAP — OVERSLUNG AXLE
3 Main Leaf Spring**



MERITOR NO.	REPLACES	APPLICATION
R305225	Hutchens 9941-02	42,000 - 50,000 lb. suspensions

SPRING END PAD



MERITOR NO.	REPLACES	A	B	C
R305227 (Rubber)	Hutchens 814-000	2 7/8"	5"	13/16"
R308665 (Poly)				

HUTCHENS H-900 SINGLE POINT SUSPENSION PARTS



MERITOR NO.	REPLACES	APPLICATION
R305228	Hutchens 10608-00	For all model H-900 multiple pound suspensions



MERITOR NO.	REPLACES	APPLICATION
R305231A	Hutchens 820-00	For all model H-900 multiple pound suspensions



MERITOR NO.	REPLACES	APPLICATION
R305230	Hutchens 9640-00	For all model H-900 multiple pound suspensions

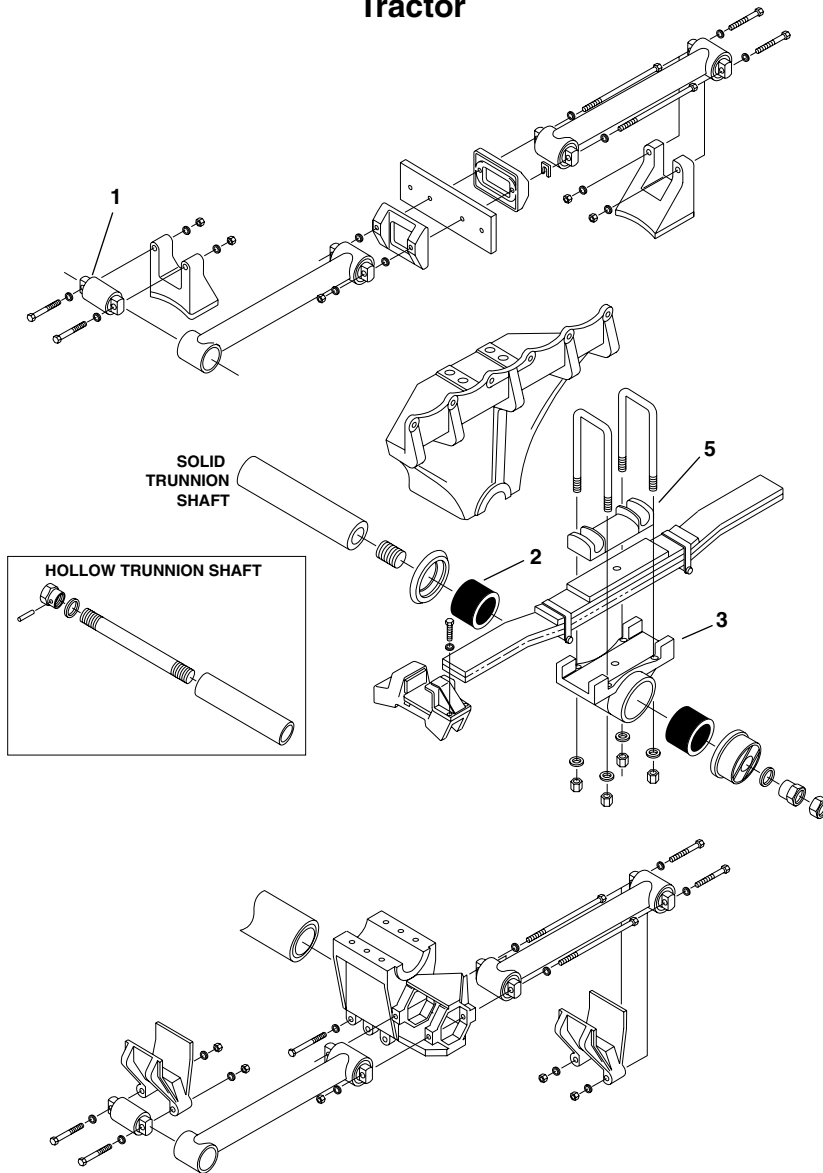


MERITOR NO.	REPLACES	THREAD SIZE	LENGTH
R304348	Hutchens 9293-00	5/8" - 11	2"

1

KENWORTH "BIG 6" SUSPENSION

Tractor

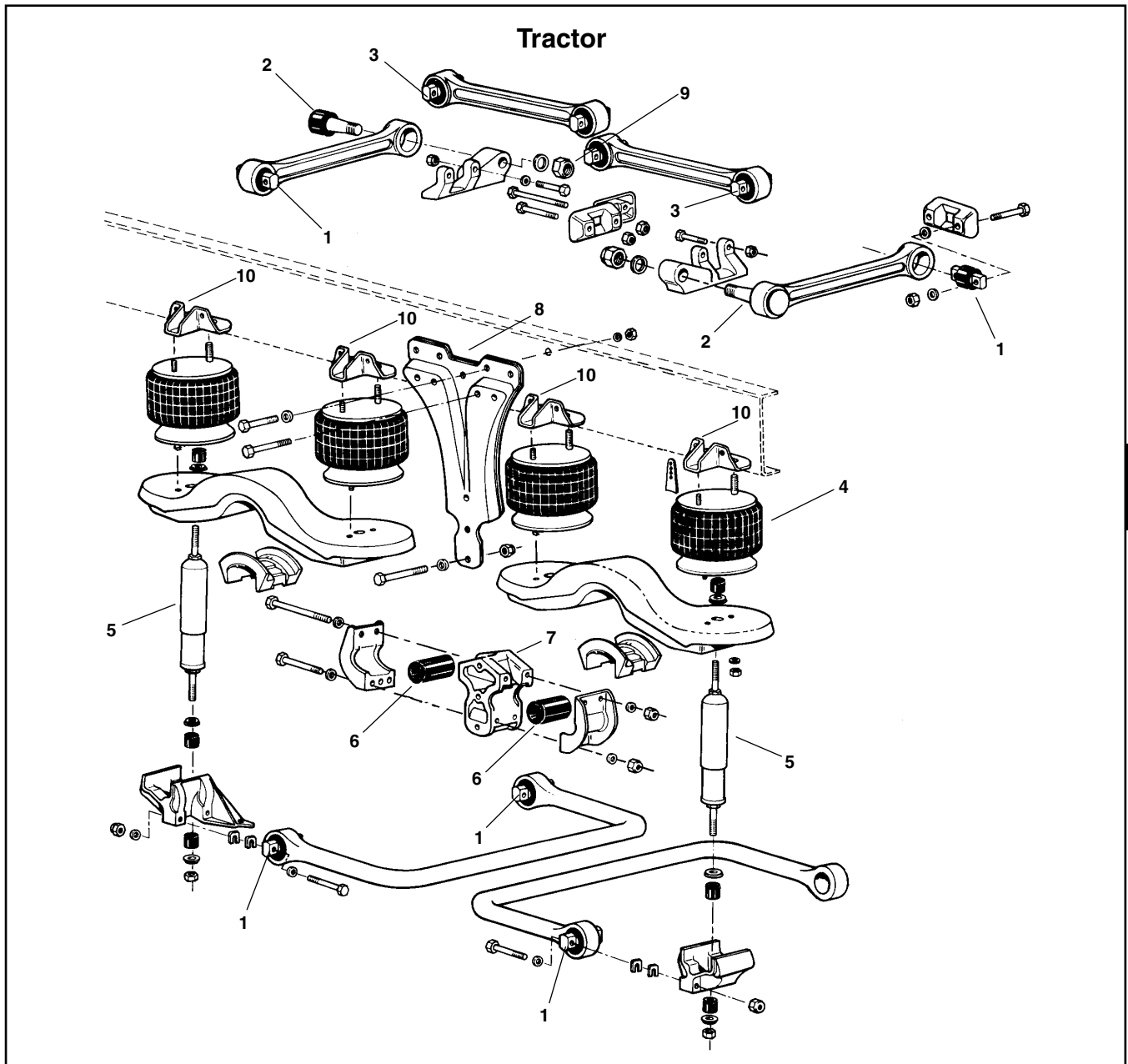


1

N/A = Part no longer available

KEY NO.	MERITOR NO.	REPLACES KENWORTH NO.	DESCRIPTION	QUANTITY PER TANDEM	PAGE NO.	
1	R302226 (Rubber)	Gould 227720	Torque Arm Bushing	16	1-281	
	R307639 (Poly)				1-281	
	R309321 (Rubber)	Meritor A-2297-K-1051			2-16	
	R308655 (Poly)				Meritor A-2297-X-3664	1-281
	R309322					
	A2297V4806	Meritor A-2297-V-4806				
	R309324	Gould 932420				
2	N/A	K066-232	Rubber Trunnion Bushing	4	—	
3	N/A	K360-20	Trunnion	2	—	

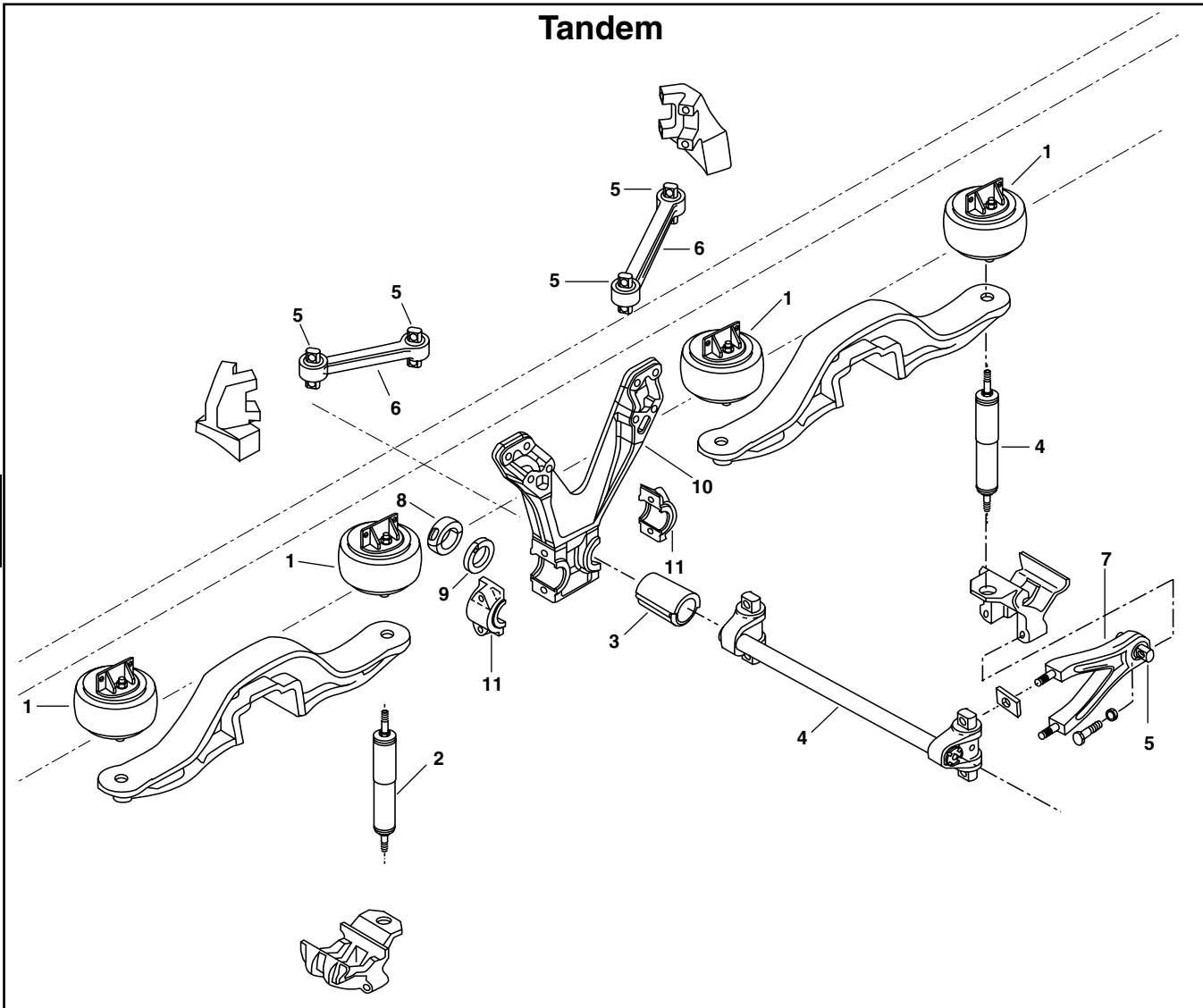
KENWORTH AIRGLIDE® 100 AIR RIDE SUSPENSION



KEY NO.	MERITOR NO.	REPLACES KENWORTH NO.	DESCRIPTION	QUANTITY PER TANDEM	PAGE NO.
1	R302226 (Rubber)	227720	Torque Arm & Stabilizer Rod Bushing	6	1-281
2	R302228 (Rubber) R308651 (Poly)	229610	Torque Arm Bushing, Tapered	2	1-281
3	R304664	227722	Torque Arm Bushing, Aluminum Pin	8	1-281
4	FS9422	K303-6, 14, 15	Air Spring to 1994	8	—
	FS9616	K303-16	Air Spring with Bracket, 1995 and up		
5	85310	K374-87	Fleetline Shock Absorber	4	3-18
	89423	K374-7,9,29	GasSLX Shock Absorber	4	3-17
6	R304669 (Rubber) R307446A (Poly)	K066-58 K066-449	Rubber Stabilizer Bushing, Black Urethane Stabilizer Bushing, Yellow	4 4	1-282
7	R3010767	K197-2943	Stabilizer Bar Bracket, Aluminum	2	—
8	R3010766	K272-145	Center Support Bracket, Stamped Steel to 1994	2	—
9	R302017	49NE2012	Torque Arm Mounting Nut for Tapered Pin Bushing	2	1-282
10	R305075	K048-449	Air Spring Bracket	8	1-282

KENWORTH AIRGLIDE® 200 AIR RIDE SUSPENSION

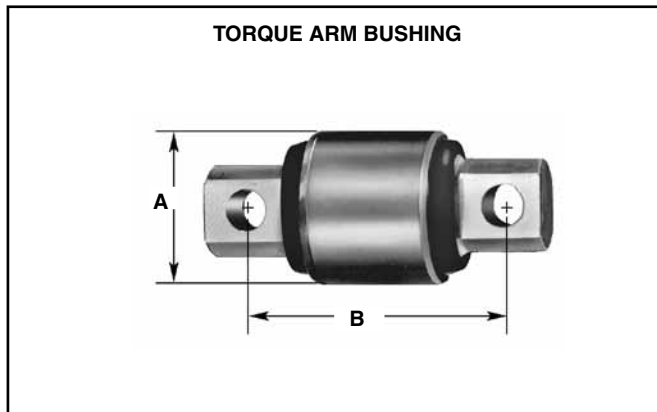
Tandem



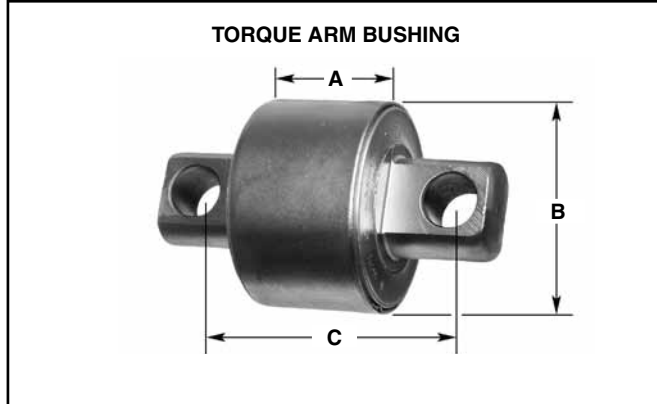
KEY NO.	MERITOR NO.	REPLACES KENWORTH NO.	DESCRIPTION	QUANTITY PER TANDEM	PAGE NO.
1	FS9617	K303-18	Air Spring 86 through 97, 3/4"-16 air inlet	8	—
	FS9618				
	FS9622	K303-22	Air Spring 98 & up, 1 5/16"-22 air inlet		
	FS9625				
2	85900	70701	Gas-Magnum 65 Shock Absorber	4	3-17
		665944			
		665903			
3	R3010302	K066-450	Sway Bar Bushing-Urethane	4	—
4	N/A	K202-2548	Sway Bar Rod Assembly	2	—
5	R3010303	836940	Torque Rod/Sway Bar Arm Bushing	12	1-281
6	N/A	K195-474	Torque Rod Assembly	4	—
7	N/A	K029-318	Sway Bar Arm Assembly	4	—
8	N/A	2SC212	Collar Bearing-McGuire	4	—
9	N/A	K06-454	Thrust Bushing	4	—
10	N/A	K272-187	Center Frame Bracket	2	—
11	N/A	K071-429	Frame Bracket Cap	4	—

N/A = Part no longer available

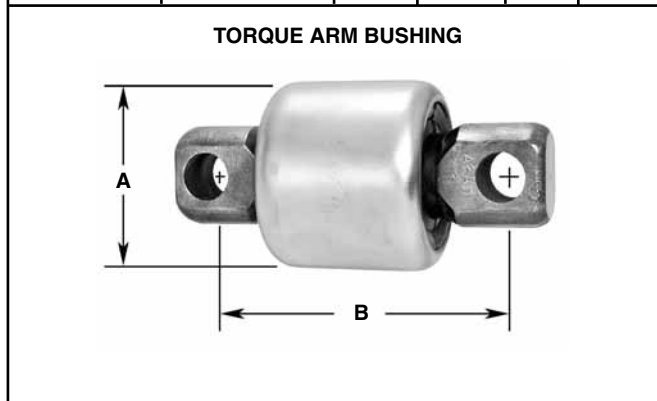
KENWORTH SUSPENSION PARTS



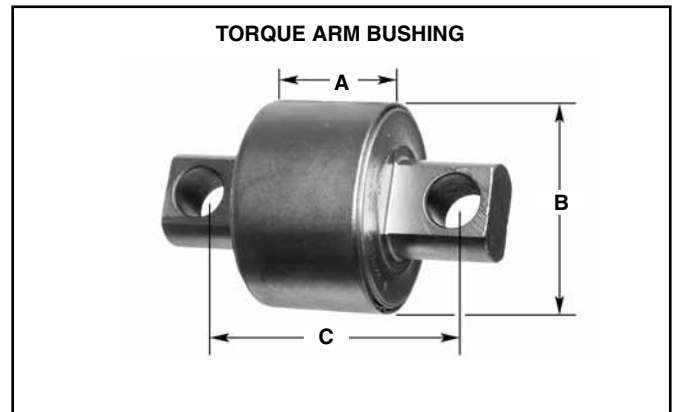
MERITOR NO.	REPLACES	A	B	HOLE DIA.
R302226 (Rubber)	Clevite 227720 Steel Pin	2 3/4"	4 3/8"	21/32"
R307639 (Poly)				
R304664	Clevite 227722 Aluminum Pin			



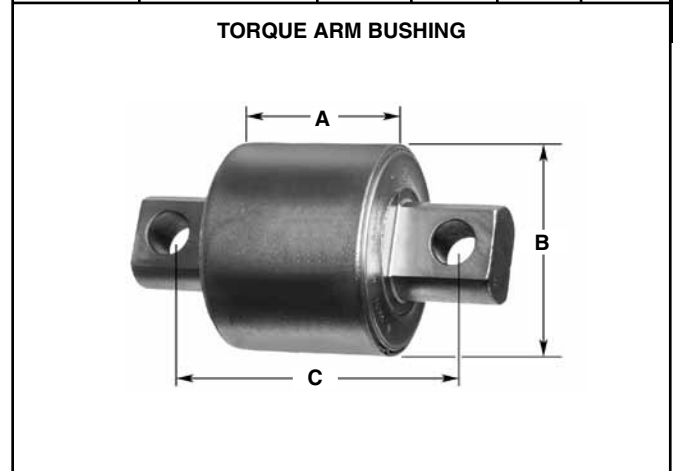
MERITOR NO.	REPLACES	A	B	C	HOLE DIA.
A2297V4806	Meritor A-2297-V-4806	2 1/2"	4 1/8"	4 3/8"	21/32"



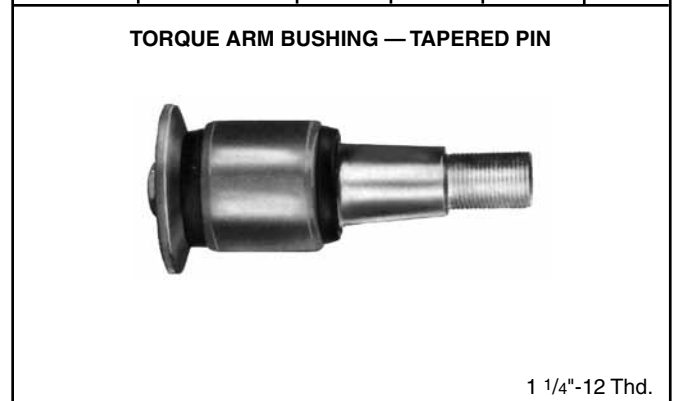
MERITOR NO.	REPLACES	A	B	HOLE DIA.
R3010303	Clevite 836940	2 3/4"	4 3/8"	21/32"



MERITOR NO.	REPLACES	A	B	C	HOLE DIA.
R309321	Meritor A-2297-K-1051	2 1/2"	4 1/8"	5 1/4"	29/32"
R309322	Meritor A-2297-X-3664				1 1/32"



MERITOR NO.	REPLACES	A	B	C	HOLE DIA.
R309324	Gould 932420	2 13/16"	3 1/2"	4 3/8"	21/32"



MERITOR NO.	REPLACES	FOR MODEL
R302228 (Rubber)	Kenworth 229610	Air Ride
R308651 (Poly)		

KENWORTH SUSPENSION PARTS

TORQUE ARM MOUNTING NUT FOR TAPERED PIN BUSHING



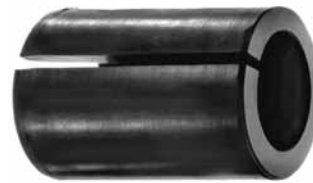
MERITOR NO.	REPLACES	THREAD	HEX	HIGH
R302017	Kenworth 49NE2012	1 1/4"-12	1 13/16"	1 1/16"

AIR SPRING BRACKET



MERITOR NO.	REPLACES	FOR MODEL
R305075	Kenworth K048-449	"8 Bag" Air Ride

STABILIZER BUSHING



MERITOR NO.	REPLACES	O.D.	I.D.	LENGTH
R304669 (Rubber)	Kenworth K066-58 (Old) K066-050 (New)	2 7/8"	2"	4"
R307446A (Poly)				

ALIGNMENT SHIM



MERITOR NO.	REPLACES	FOR MODEL	HOLE DIA.	WIDTH	THICK
R305076	Kenworth K221-922-3	"Glide Ride" 4-Spring	3/4"	1 1/4"	1/8"

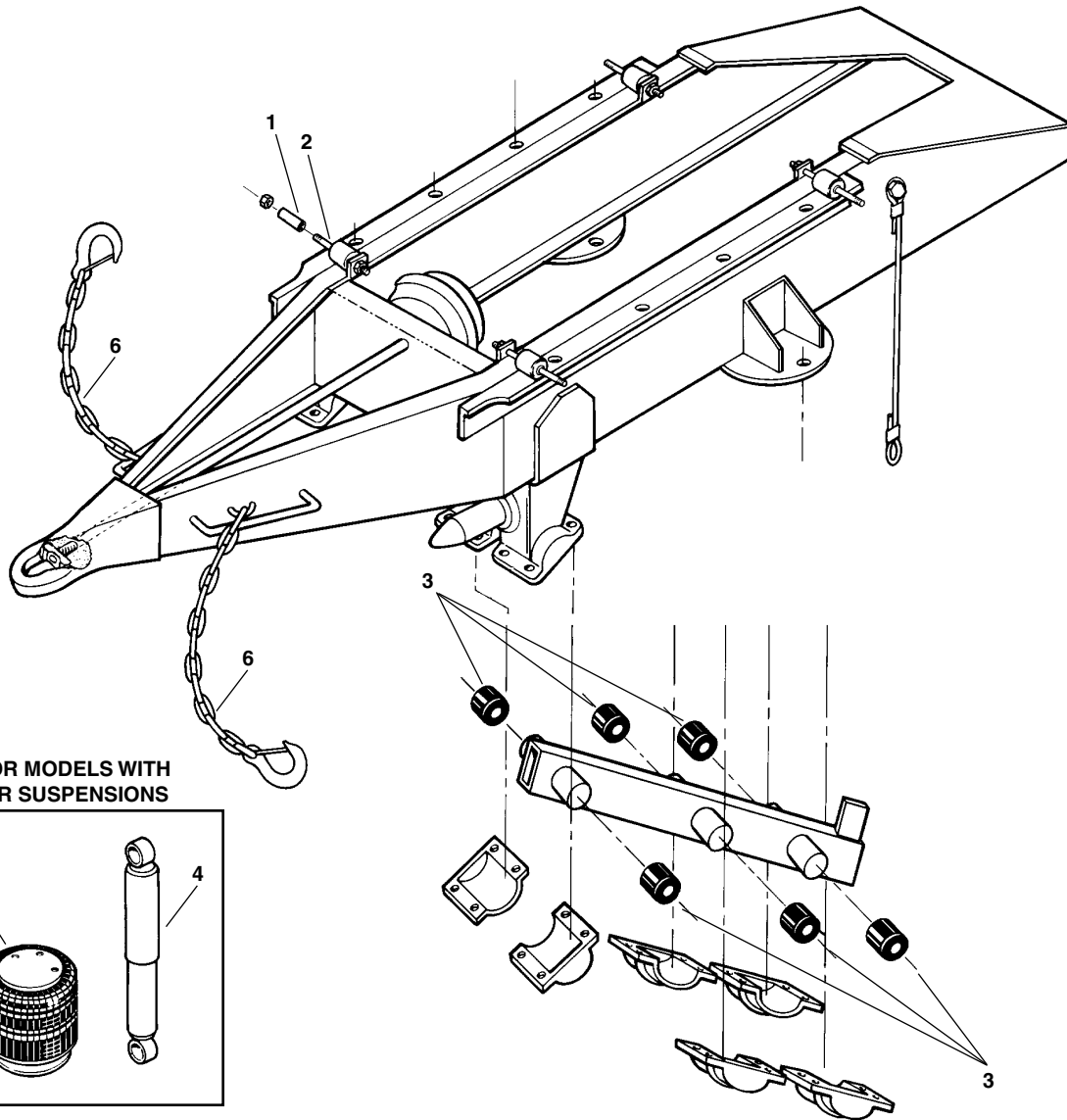
1

NOTES

Empty rectangular box for notes.

KWIK-LOC (JIFFLOX) DOLLY



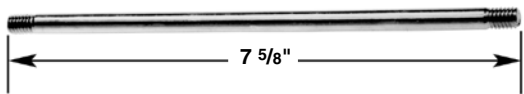



6000 and 7000 MODEL SERIES

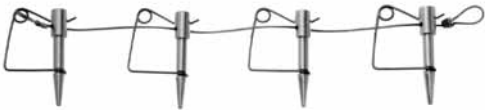


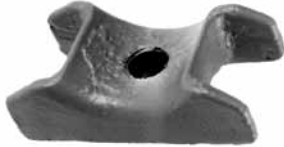



FOR MODELS WITH
AIR SUSPENSIONS

KEY NO.	MERITOR NO.	REPLACES KWIK-LOC NO.	DESCRIPTION	QUANTITY PER TANDEM	PAGE NO.
1	R305458	529817	Fifth Wheel Roller Spacer	2	1-285
2	R305457	529717	Fifth Wheel Roller Spacer Shaft	2	1-285
3	R305453	657017	Trailing Arm Bushing	6	1-285
4	85315	522217	Shock Absorber	1	3-9
5	FS9082	—	Air Spring	1	—
	FS7429	—	Air Spring	1	—
	FS7123	—	Air Spring	1	—
6	R305465	—	Chain	2	1-285

KWIK-LOC (JIFFLOX) DOLLY PARTS

TRAILING ARM BUSHING		
		
MERITOR NO.	REPLACES	FOR MODEL
R305453	Kwik-Loc 657017 Jifflox 65701	6000, 7000
ROLLER ASSEMBLY		
		
MERITOR NO.	REPLACES	FOR MODEL
R305455	Kwik-Loc 529957	6000, 7000
FIFTH WHEEL ROLLER SHAFT		
		
MERITOR NO.	REPLACES	FOR MODEL
R305457	Kwik-Loc 529717 Jifflox 52971	6000, 7000
PINTLE EYE		
		
MERITOR NO.	REPLACES	FOR MODEL
R305459	Kwik-Loc 529717 Jifflox 52971	6000, 7000
SHAFT		
		
MERITOR NO.	REPLACES	FOR MODEL
R305462	Kwik-Loc 657557	6000, 7000
CHAIN		
		
MERITOR NO.	REPLACES	FOR MODEL
R305465	Kwik-Loc	6000, 7000

STA-PIN ASSEMBLY		
		
MERITOR NO.	REPLACES	FOR MODEL
R305454	Kwik-Loc 656857	6000, 7000
ROLLER		
		
MERITOR NO.	REPLACES	FOR MODEL
R305456	Kwik-Loc 656957	6000, 7000
FIFTH WHEEL ROLLER SPACER		
		
MERITOR NO.	REPLACES	FOR MODEL
R305458	Kwik-Loc 529817 Jifflox 52981	6000, 7000
WEAR SHOE		
		
MERITOR NO.	REPLACES	FOR MODEL
R305460	Kwik-Loc 602517	6000, 7000
COUPLING		
		
MERITOR NO.	REPLACES	FOR MODEL
R305463	Kwik-Loc 657547	6000, 7000

1

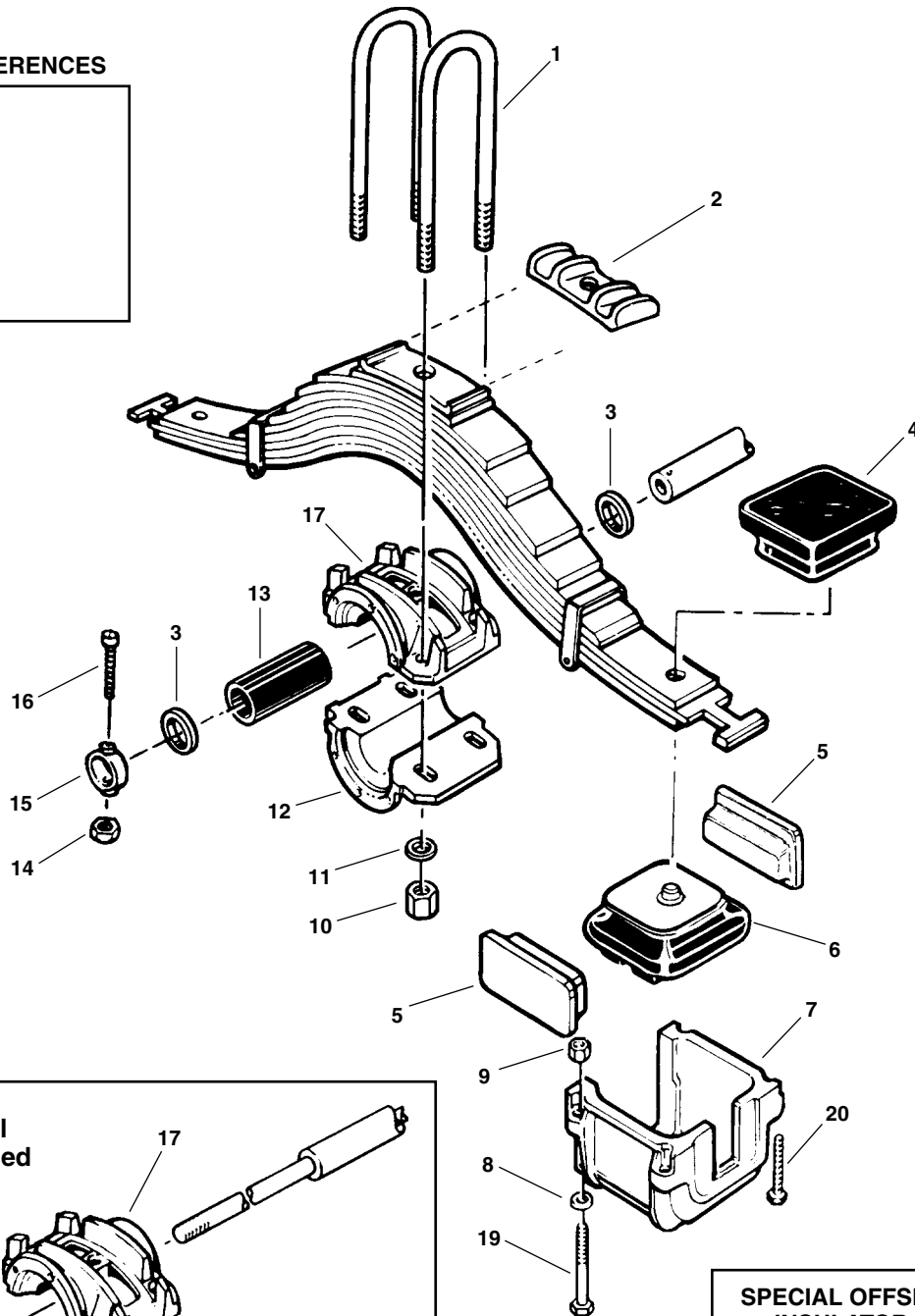
MACK SS34 & 38 TANDEM SUSPENSION

(Formerly designated SWS 56 & 57)
(34,000 & 38,000 lb.)
Tractor

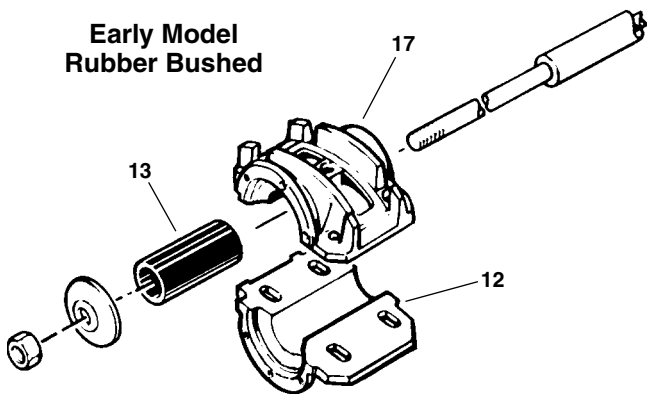
LEAF SPRING REFERENCES

SRI No.

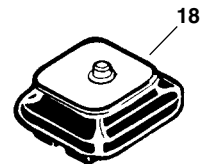
62-137	9 Leaf
62-173	9 Leaf
62-109	9 Leaf
62-153	10 Leaf
62-139	10 Leaf
62-155	10 Leaf
62-113	10 Leaf



Early Model
Rubber Bushed



SPECIAL OFFSET
INSULATOR



Designed to Correct
Axle Alignment

MACK SS34 & 38 TANDEM SUSPENSION PARTS

(Formerly designated SWS 56 & 57)

(34,000 & 38,000 lb.)

Tractor

KEY NO.	MERITOR NO.	REPLACES MACK NO.	DESCRIPTION	QUANTITY PER TANDEM	PAGE NO.
1	R30U8394-144	—	U-Bolt Assembly, Semi Rd. Bend, 1 1/4"-12 Thd. x 4" Wide x 14 1/2" Long	4	2-29
	R30U8394-162S	—	U-Bolt Assembly, Semi Rd. Bend, 1 1/4"-12 Thd. x 4" Wide x 16 1/4" Long		
	R30U8394-18	—	U-Bolt Assembly, Semi Rd. Bend, 1 1/4"-12 Thd. x 4" Wide x 18" Long		
2	N/A	8PK335P1	Top Plate	2	—
3	R303702	44RU2223P2	Inner Spacer	2	1-302
	R303703	44RU2223P1			1-302
4	R302917 (Rubber)	10QK365A	Upper Insulator Pad	4	1-305
	R307481 (Poly)				—
	N/A	10QK33A			—
	R302919 (Rubber)	10QK370			1-305
R308667 (Poly)	—				
5	R303689	13QK246	Insulator Spacer Block	8	1-304
6	R302920 (Rubber)	10QK36B	Lower Insulator Pad	4	1-305
	R307480 (Poly)	10QK36B			
7	R303688	52QK418AP4	Insulator Box	2	1-304
8	R302546	37AX1310	Washer	8	2-35
9	R301835	21AX480	Lock Nut	8	2-34
10	R303005	—	Hi-Nut	8	2-34
	R303006	21AX655			2-34
11	R302934	35AX1435	Washer	8	2-35
12	R303685	39QK37B	Lower Trunnion Half	2	1-301
		39QK37C			
		39QK433			
13	R302921A (Rubber)	10QK219P1	Trunnion Bushing	2	1-302
	R307478 (Poly)				1-302
	R302922A (Rubber)	10QK219P2			1-302
	N/A	10QK219P2			—
	R307479 (Poly)	10QK219P2			1-302
		10QK276			
14	R304347	21AX786	Lock Nut	4	2-34
15	R3010116	44RU221P2	Collar (Late)	2	1-303
	R303704	44BU2221P2	Collar (Early)		
16	N/A	1AX127	Bolt	2	—
17	R303683	39QK433A	Upper Trunnion Half	2	1-301
18	R303919	10QK48	Special Offset Lower Insulator Pad	As Required	1-305
19	R303690	1AX425	Insulator Box Bolt, 7/8"-14 Thd. x 5" Long	8	2-33
	R303691	1AX475	Insulator Box Bolt, 7/8"-14 Thd. x 5 1/4" Long		2-32
	R303692	1AX427	Insulator Box Bolt, 7/8"-14 Thd. x 6" Long		2-33
		3AX987			
	R303693	3AX1344	Insulator Box Bolt, 7/8"-14 Thd. x 6 1/2" Long		2-33
	R305439	3AX1050	Insulator Box Bolt, 7/8"-14 Thd. x 7 1/2" Long		2-33
R305428	3AX1348	Insulator Box Bolt, 7/8"-14 Thd. x 8" Long	2-33		
20	R303696	4AX320	Insulator Box Stud, 7/8"-9 Thd. x 4 1/2" Long	8	2-32
		6AX837			
	R305427	6AX1160	Insulator Box Stud, 7/8"-9 Thd. x 6" Long		2-33

N/A = No Longer Available

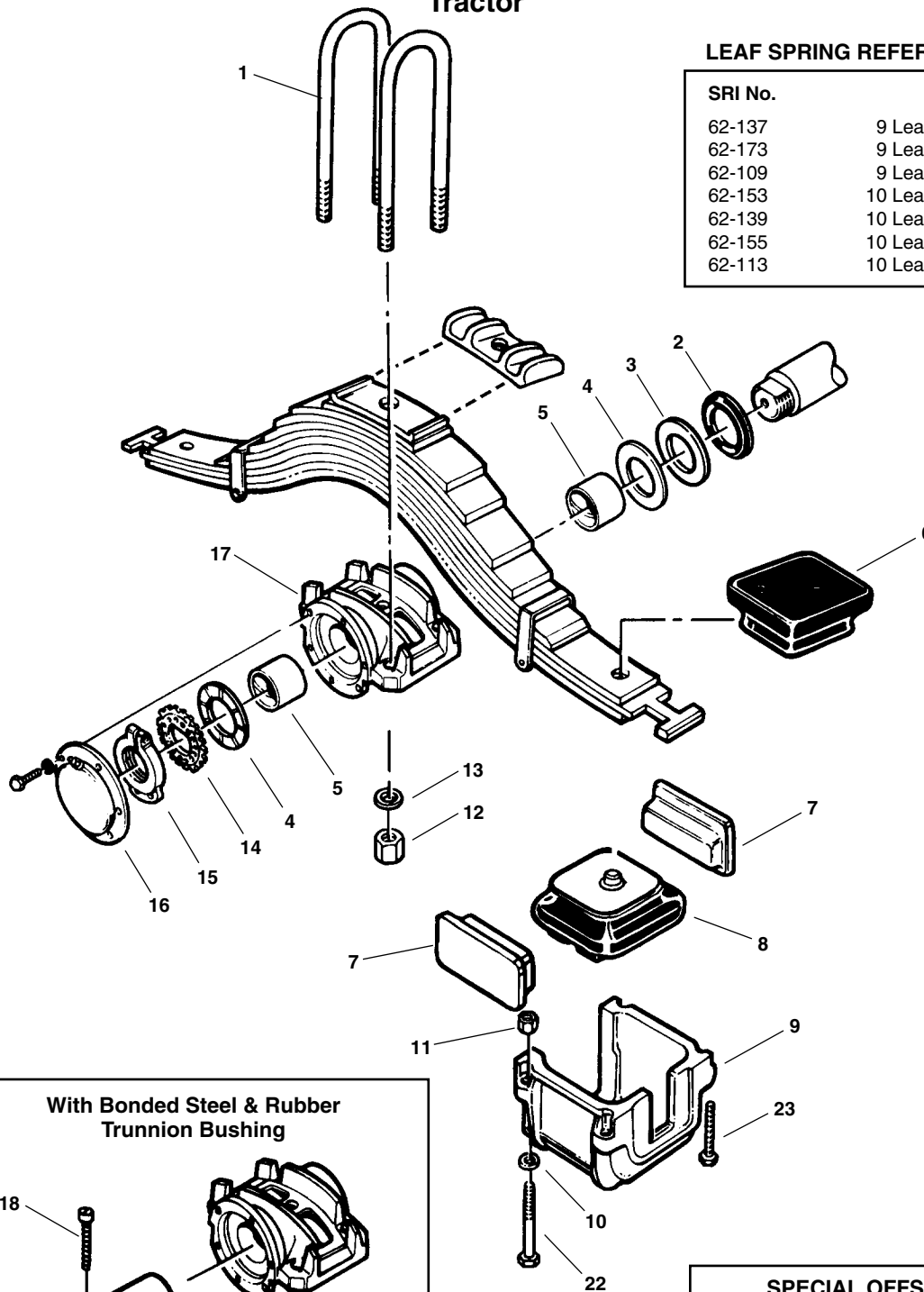
MACK SS44 SERIES SUSPENSION

(Formerly designated SWS 573)
(44,000 lb.)
Tractor

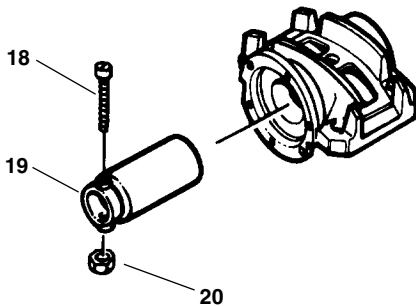
LEAF SPRING REFERENCES

SRI No.

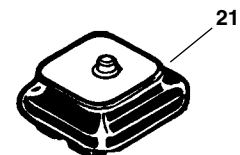
62-137	9 Leaf
62-173	9 Leaf
62-109	9 Leaf
62-153	10 Leaf
62-139	10 Leaf
62-155	10 Leaf
62-113	10 Leaf



With Bonded Steel & Rubber
Trunnion Bushing



SPECIAL OFFSET
INSULATOR



Designed to Correct Axle Alignment

MACK SS44 SERIES SUSPENSION PARTS

(Formerly designated SWS 573 - 44,000 lb.)

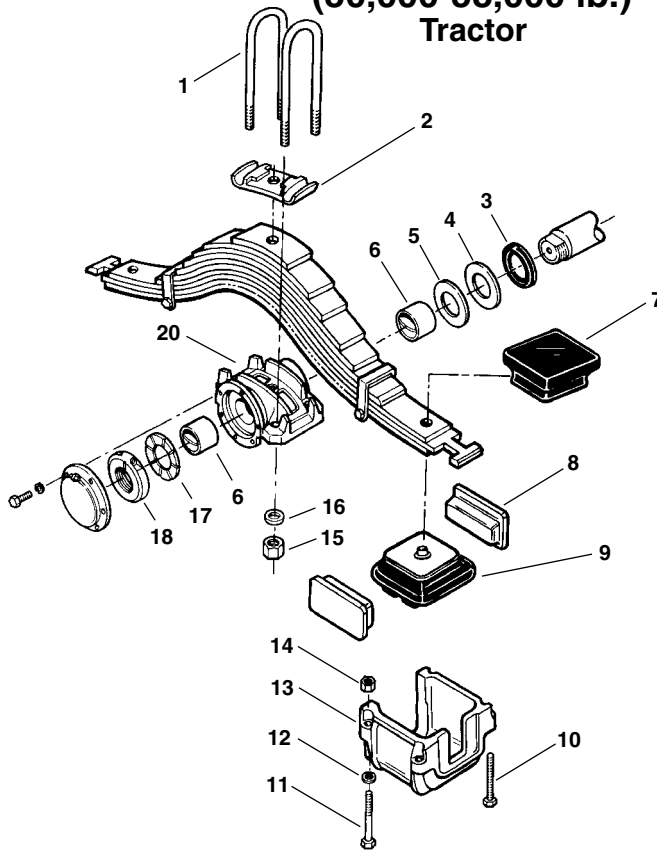
Tractor

KEY NO.	MERITOR NO.	REPLACES MACK NO.	DESCRIPTION	QUANTITY PER TANDEM	PAGE NO.
1	R30U8394-144	—	U-Bolt Assembly, Semi Rd. Bend, 1 1/4"-12 Thd. x 4" Wide x 14 1/2" Long	4	2-29
	R30U8394-162S	—	U-Bolt Assembly, Semi Rd. Bend, 1 1/4"-12 Thd. x 4" Wide x 16 1/4" Long		2-29
	R30U8394-18	—	U-Bolt Assembly, Semi Rd. Bend, 1 1/4"-12 Thd. x 4" Wide x 18" Long		2-29
2	R303187	88AX244 88AX446	Trunnion Seal	2	1-303
3	R303699	43QK117	Washer	2	1-303
4	R303698	35AX688	Bronze Washer	2	1-303
		43QJ116			
5	R302925	10QK157	Bronze Trunnion Bushing	2	1-301
		80AX300			
6	R302917 (Rubber)	10QK365A	Upper Insulator Pad	4	1-305
	R307481 (Poly)				—
	N/A	10QK33A			—
	R302919 (Rubber)	10QK370			1-305
	R308667 (Poly)	10QK32BP1			1-305
7	R303689	13QK246	Insulator Spacer Block	8	1-304
8	R302920 (Rubber)	10QK36B	Lower Insulator Pad	4	1-305
	R307480 (Poly)	10QK36B			
	R303919 (Rubber)	10QK48			
9	R303688	52QK418AP4	Insulator Box	2	1-304
		52QK418BP4			
10	R302546	37AX1310	Washer	8	2-35
11	R301835	21AX480	Lock Nut	8	2-34
12	R303005	—	Hi-Nut	8	2-34
	R303006	21AX655			2-34
13	R302934	35AX1435	Washer	8	2-35
14	R303915	23QJ112B	Washer	2	1-303
15	R303700	25QJ223	Trunnion Nut	2	1-303
16	R303697	97QL399P2	Trunnion Grease Cap	2	1-303
17	R303687	39QK27E	Trunnion and Bushing Assembly	2	1-300
		39QK27F			
		39QK326			
18	N/A	1AX127	Bolt	2	—
19	R302927	10QK371A	Bonded Rubber Trunnion Bushing	2	1-302
20	R304347	21AX786	Lock Nut	4	2-34
21	R303919	10QK48	Special Offset Lower Insulator Pad	As Required	1-305
22	R303690	1AX425	Insulator Box Bolt, 7/8"-14 Thd. x 5" Long	8	2-33
	R303691	1AX475	Insulator Box Bolt, 7/8"-14 Thd. x 5 1/4" Long		2-32
	R303692	1AX427	Insulator Box Bolt, 7/8"-14 Thd. x 6" Long		2-33
		3AX987			
	R303693	3AX1344	Insulator Box Bolt, 7/8"-14 Thd. x 6 1/2" Long		2-33
	R305439	3AX1050	Insulator Box Bolt, 7/8"-14 Thd. x 7 1/2" Long		2-34
R305428	3AX1348	Insulator Box Bolt, 7/8"-14 Thd. x 8" Long	2-33		
23	R303696	4AX320	Insulator Box Stud, 7/8"-9 Thd. x 4 1/2" Long	8	2-32
		6AX837			
	R305427	6AX1160	Insulator Box Stud, 7/8"-9 Thd. x 6" Long		2-33
—	R305077	39QK226C	Trunnion and Rubber Bushing Assembly	2	1-300

N/A = No Longer Available

MACK SS50C, SS58C SERIES SUSPENSION

(50,000-58,000 lb.)
Tractor



LEAF SPRING REFERENCES

SRI No.	
62-097	8 Leaf
62-983	13 Leaf

KEY NO.	MERITOR NO.	REPLACES MACK NO.	DESCRIPTION	QUANTITY PER TANDEM	PAGE NO.
1	R30U8396-165S	—	U-Bolt Assembly, Semi Rd. Bend, 1 1/4"-12 Thd. x 5" Wide x 16 5/8" Long	4	2-29
2	R305426	8QK232A	Top Plate	2	1-305
3	R305425	88AX253	Seal	2	1-303
4	R305423	43QK118	Washer	2	1-303
5	R305422	43QK115	Bronze Washer	4	1-303
6	R305421	10QK158 10QK158A	Bronze Trunnion Bushing	2	1-301
7	R303679	10QK32BP1	Upper Insulator Pad	4	1-305
8	R303689	13QK246	Insulator Spacer Block	8	1-304
9	R303680	10QK372	Lower Insulator Pad	4	1-305
10	R305427	6AX1160	Insulator Box Stud	4	2-33
11	R305428	3AX1348	Bolt	4	2-33
12	R305429	35AX1310	Washer	4	2-35
13	N/A	52QK434BP3 52QK434BP4	Insulator Box	2	—
14	R301835	21AX480	Lock Nut	8	2-34
15	R303006	21AX655	Hi-Nut	8	2-34
16	R302934	35AX1435	Washer	8	2-35
17	R305422	43QK115	Bronze Washer	4	1-303
18	R305424	25QJ220BP2	Trunnion Nut	2	1-303
19	—	97QL3001P2	Trunnion Cap	2	—
20	R305417	39QK319	Trunnion & Bushing Assembly	2	1-301

Reference page 2-23 thru 2-30 for Meritor's complete U-Bolt program.

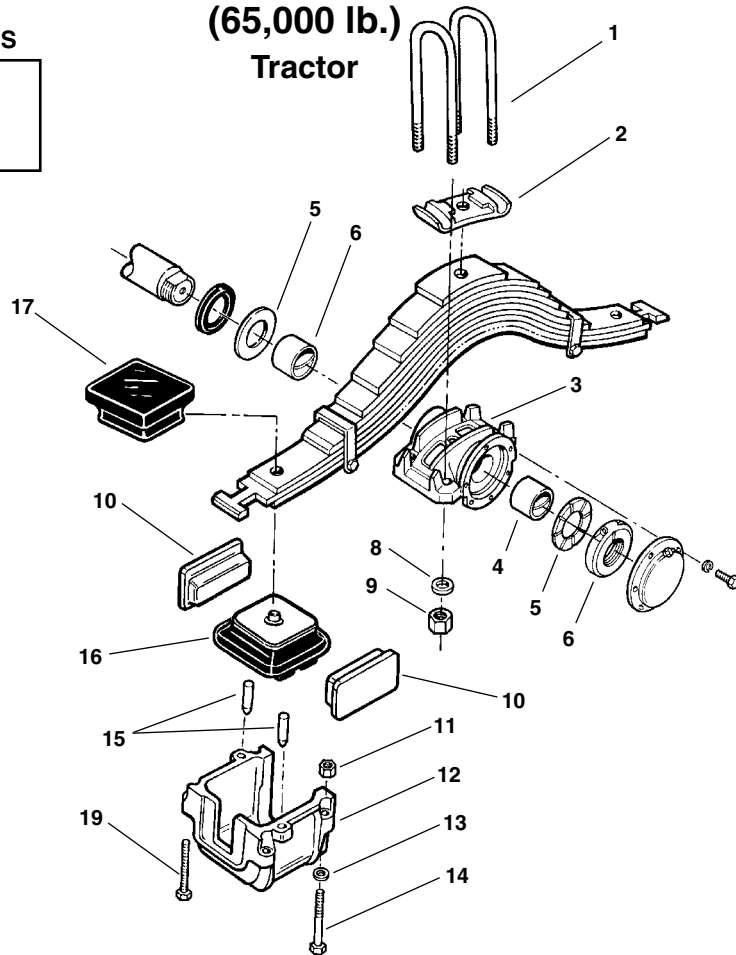
N/A = No Longer Available

MACK SS65C-W SERIES SUSPENSION

LEAF SPRING REFERENCES

SRI No.	
62-097	8 Leaf
62-983	13 Leaf

(65,000 lb.)
Tractor

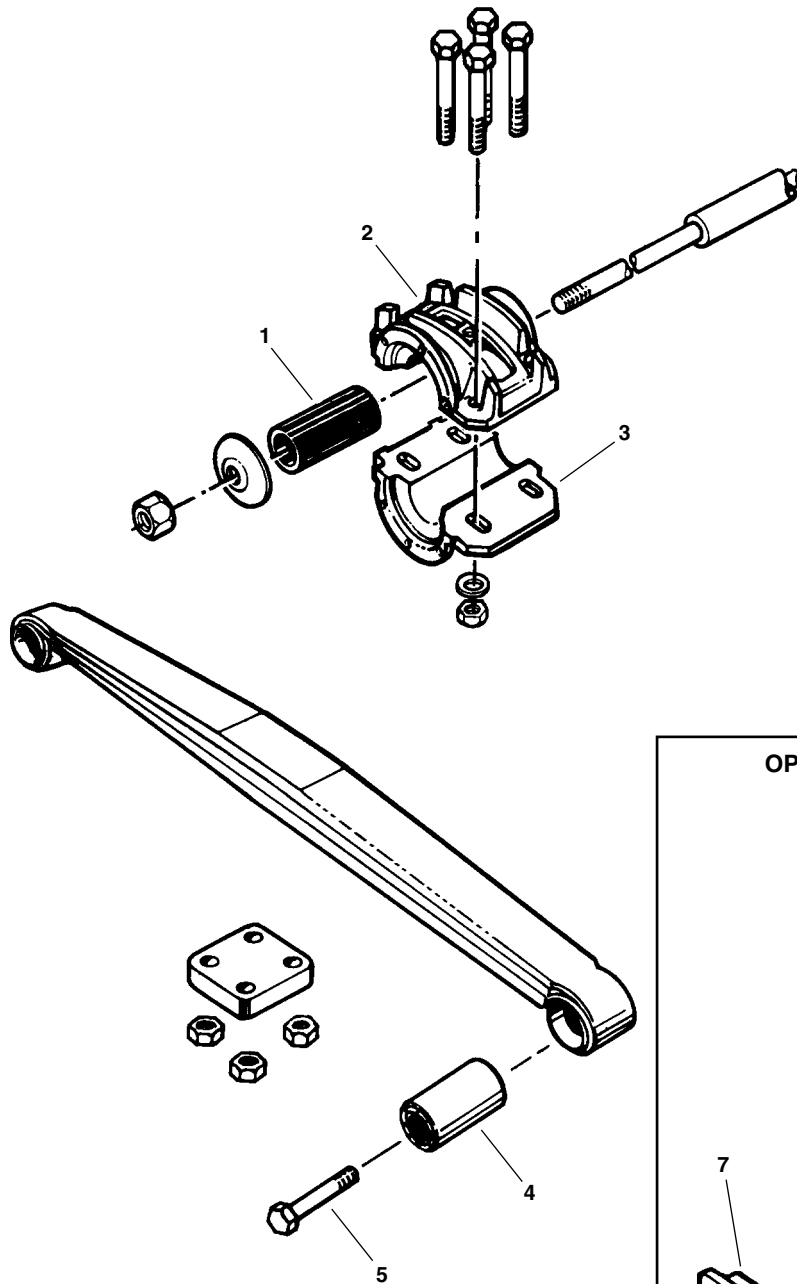


KEY NO.	MERITOR NO.	REPLACES MACK NO.	DESCRIPTION	QUANTITY PER TANDEM	PAGE NO.
1	R30U8396-165S	—	U-Bolt Assembly, Semi Rd. Bend, 1 1/4"-12 Thd. x 5" Wide x 16 5/8" Long	4	2-29
2	R305426	8QK232A	Top Plate	2	1-305
3	R305431	39QK328 39QK39D	Trunnion & Bushing Assembly	2	1-301
4	R305432	10QK393 80AX560	Bronze Trunnion Bushing	2	1-301
5	R305433	43QK23A	Bronze Washer	4	1-303
6	R305434	25QJ220B	Trunnion Nut	2	1-303
7	—	97QL3001P2	Trunnion Cap	2	—
8	R302934	35AX1435	Washer	8	2-35
9	R303006	21AX655	Hi-Nut	8	2-34
10	R303689	13QK246	Insulator Spacer Block	8	1-304
11	R301835	21AX480	Lock Nut	8	2-34
12	R305436	52QK434B91	Insulator Box	2	1-304
13	R305429	35AX1310	Washer	4	2-35
14	R305439	3AX1050	Bolt	4	2-33
15	N/A	65RU1269	Dowel	4	—
16	R303680	10QK372	Lower Insulator Pad	4	1-305
17	R303679	10QK32BP1	Upper Insulator Pad	4	1-305

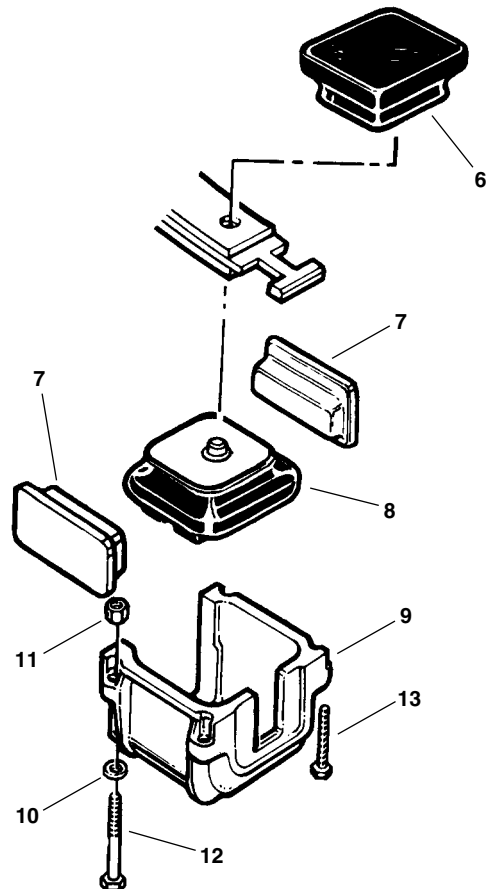
N/A = No Longer Available

MACK ST SERIES - TAPERED LEAF SUSPENSION

(Formerly designated SWT Series)
Tractor



OPTIONAL SPRING END DESIGN



LEAF SPRING REFERENCES

SRI No.

62-181	8 Leaf
62-193	8 Leaf
62-211	8 Leaf
62-213	8 Leaf

MACK ST SERIES - TAPERED LEAF SUSPENSION PARTS

(Formerly designated SWT Series)

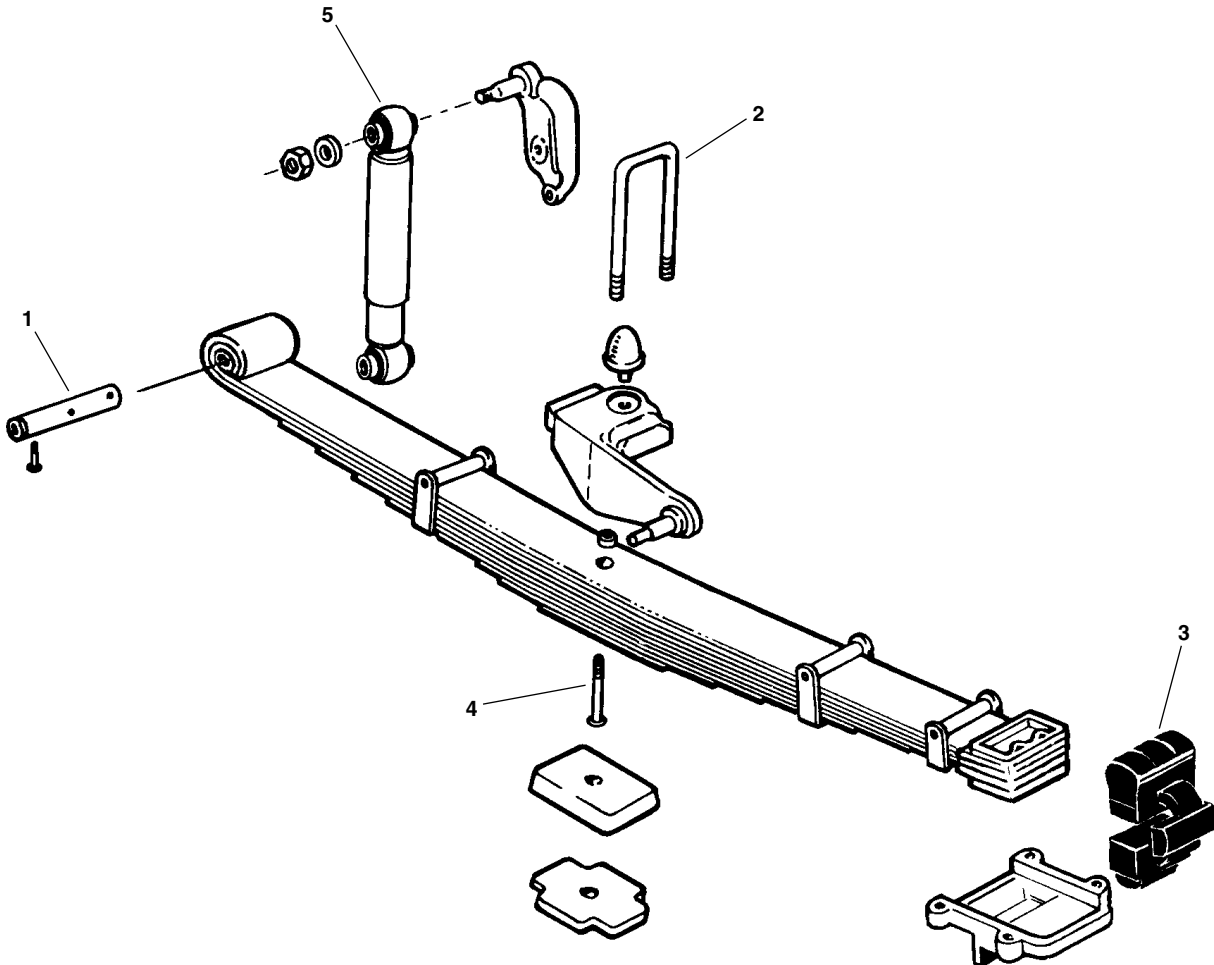
Tractor

KEY NO.	MERITOR NO.	REPLACES MACK NO.	DESCRIPTION	QUANTITY PER TANDEM	PAGE NO.
1	R302921A (Rubber)	10QK219P1	Trunnion Bushing	2	1-302
		10QK219			
	R307478 (Poly)				
	R302923A (Rubber)	10QK149			1-302
	R302924A (Rubber)	10QK130P1			1-301
	R307441 (Poly)				
	R302922A (Rubber)	10QK219P2	1-302		
	R307479 (Poly)				
2	R303683	39QK423A	Upper Trunnion Half	2	1-301
		39QK423B			
		39QK423C			
3	R303685	39QK37B	Lower Trunnion Half	2	1-301
		39QK37C			
		39QK431			
4	R303900	10QK146	Spring Eye Bushing	4	1-300
5	N/A	3AX1682	Spring Eye Bolt	4	—
6	R302917 (Rubber)	10QK365A	Upper Insulator Pad	4	1-305
	R307481 (Poly)				
	N/A	10QK33A			—
	R302919 (Rubber)	10QK370			1-305
	R308667 (Poly)				
	R303679 (Rubber)	10QK32BP1	Upper Insulator Pad, 50,000 lb. Applications		1-305
7	R303689	13QK246	Insulator Spacer Block	8	1-304
8	R302920 (Rubber)	10QK36B	Bottom Insulator Pad	4	1-305
	R307480 (Poly)	10QK36B			
	R303680 (Rubber)	10QK372	Bottom Insulator Pad, 50,000 lb. Applications		1-305
9	R303688	52QK418AP4	Insulator Box	2	1-304
		52QK418BP4			
10	R302546	37AX1310	Washer	8	2-35
11	R301835	21AX480	Lock Nut	8	2-34
12	R303690	1AX425	Insulator Box Bolt, 7/8"-14 Thd. x 5" Long	8	2-33
	R303691	1AX475	Insulator Box Bolt, 7/8"-14 Thd. x 5 1/4" Long		2-32
	R303692	1AX427	Insulator Box Bolt, 7/8"-14 Thd. x 6" Long		2-33
		3AX987			
	R303693	3AX1344	Insulator Box Bolt, 7/8"-14 Thd. x 6 1/2" Long		2-33
	R305439	3AX1050	Insulator Box Bolt, 7/8"-14 Thd. x 7 1/2" Long		2-33
R305428	3AX1348	Insulator Box Bolt, 7/8"-14 Thd. x 8" Long	2-33		
13	R303696	4AX320	Insulator Box Stud, 7/8"-9 Thd. x 4 1/2" Long	8	2-32
		6AX837			
	R305427	6AX1160	Insulator Box Stud, 7/8"-9 Thd. x 6" Long		2-33

N/A = No Longer Available

MACK STEERING AXLE SUSPENSION

Tractor



LEAF SPRING REFERENCES

SRI No.

62-584	9 Leaf
62-538	11 Leaf
62-642	11 Leaf
62-640	12 Leaf
62-544	14 Leaf

KEY NO.	MERITOR NO.	REPLACES MACK NO.	DESCRIPTION	QUANTITY PER TANDEM	PAGE NO.
1	R303715	44QK29301B	Spring Eye Pin	2	1-300
2	R30U8253-12	—	U-Bolt Assembly, Sq. Bend, 3/4"-16 Thd. x 3 1/2" Wide x 12" Long	4	2-27
3	R303722	10QK332A	Front Spring Rubber Insulator	2	1-305
4	R303191	—	Spring Center Bolt	2	2-31
	R303193	—			
5	83221	14QK2100P1	Fleetline Shock Absorber with Rubber Pads	2	3-13

NOTES

[Empty space for notes]

If you detect any **errors** in this Catalog, please let us know.

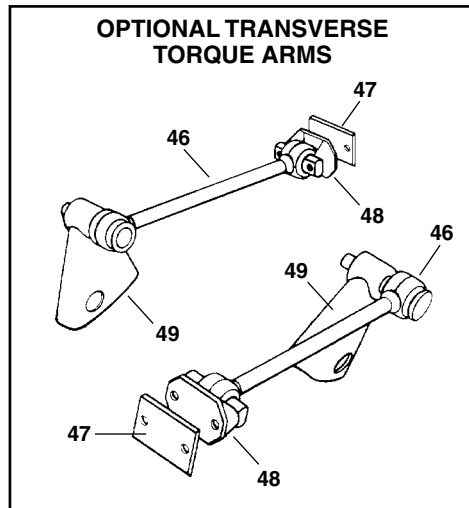
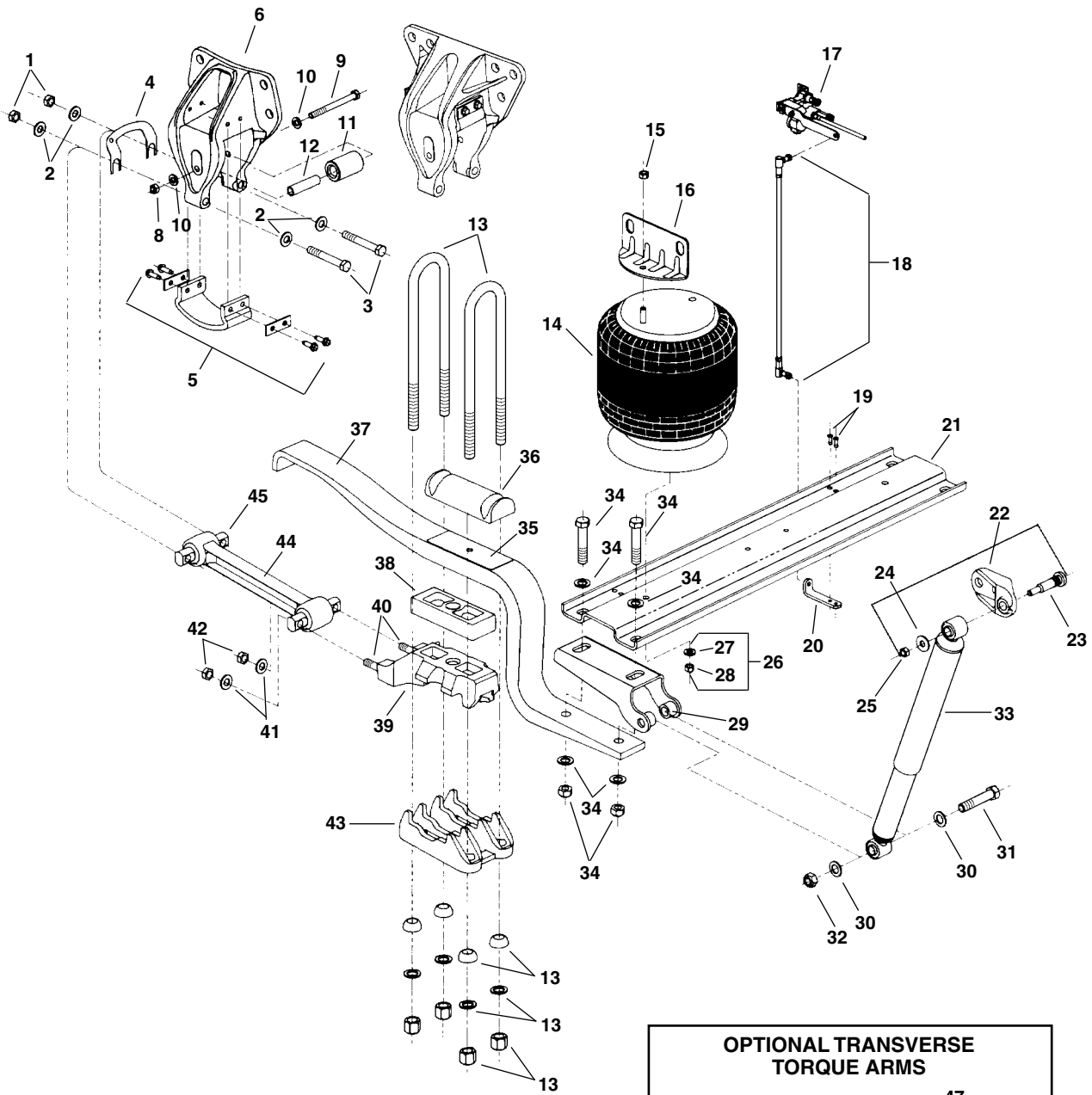


We want the information to be as accurate as possible;
we appreciate your help in making it so.
Write or call:

Catalog Corrections
ArvinMeritor, Inc.
7975 Dixie Highway
Florence, KY 41042-2754
catalogfeedback@arvinmeritor.com

MACK HENDRICKSON AL-40 SUSPENSION

Tractor



LEAF SPRING REFERENCES

SRI No.

50-323

50-325

1

MACK HENDRICKSON AL-40 SUSPENSION PARTS

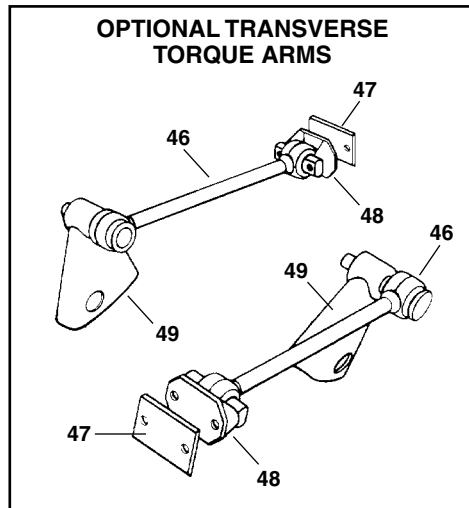
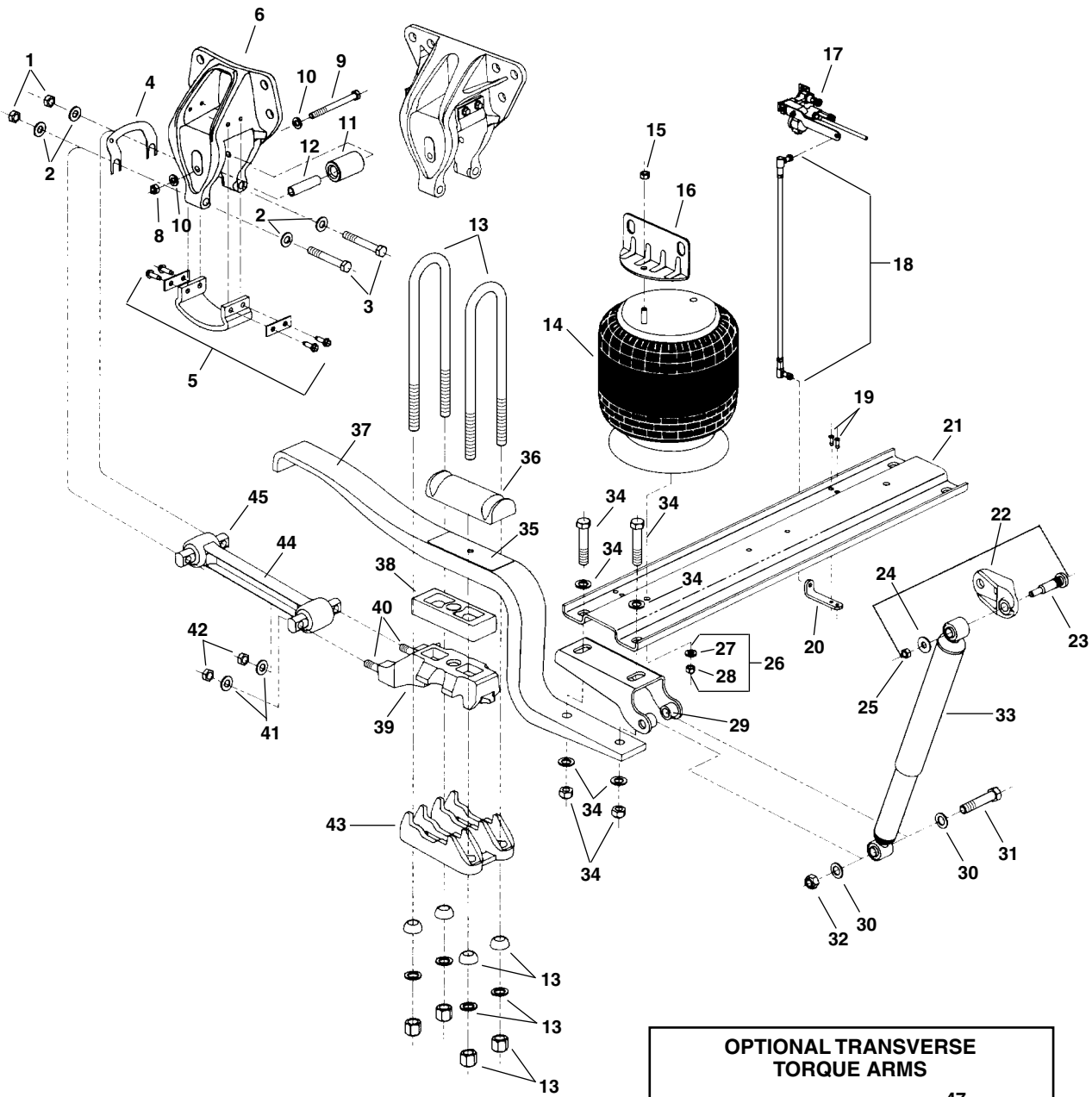
Tractor

KEY NO.	MERITOR NO.	REPLACES MACK NO.	HENDRICKSON NO.	DESCRIPTION	QUANTITY PER TANDEM	PAGE NO.
—	R305277	—	49176-001	Torque Rod Fastener Kit, Includes Key Nos. 1, 2, 3	8	1-306
1	Part of R305277	23AX512	47764-000	Torque Rod Nut	8	1-306
2	Part of R305277	35AX1466	29262-004	Flat Washer, 5/8" Hardened	16	1-306
3	Part of R305277	43RU2134	32043-005	Torque Rod Bolt	8	1-306
4	R305281	44RU2384M	49689-000	Torque Rod Shim	As Required	1-306
5	R309391	—	56557-002	Slipper Pad Kit	4	1-306
6	S.O.S.	47QK4215M	50752-002	Front Spring Hanger Assembly w/ Wear Pad	4	—
7	R309432	—	49175-005	Rebound Roller Assembly Includes Key Nos. 8,9,10,11,12	4	1-307
8	Part of R309432	—	49846-000	Rebound Bolt Nut	4	1-307
9	Part of R309432	—	24531-015	Rebound Bolt	4	1-307
10	Part of R309432	—	22962-014	Flat Washer, 1/2" Hardened	8	1-307
11	Part of R309432	—	48883-000	Rebound Roller	4	1-307
12	Part of R309432	—	47458-000	Rebound Bolt Spacer	4	1-307
13	R30U8161-18S1	7QK2174M	48718-050	U-Bolt Assembly, Rd. Bend, 7/8"-14 Thd. x 3" Wide x 18" Long	8	2-25
14	FS9375	57QL414M	50899-002	Air Spring, Includes Key Nos. 15, 16	4	—
15	—	23AX335	17700-010	Air Spring Lock Nut	4	—
16	R309392	—	50804-002	Air Spring Frame Hanger	4	1-302
17	R3011494	20QE3345	60826-000	Height Control Valve, Right Hand Frame Rail	1	2-57
18	R303760A	21QB3403M3	58994-021	Height Control Valve Arm Assembly	1	2-61
19	S.O.S.	—	57430-000	Arm Bracket Fastener Kit, Includes Key No. 20	2	—
20	S.O.S.	73RU3970M	56789-000	Control Valve Arm Bracket	1	—
21	S.O.S.	48QK4114M	57318-001	Cross Channel	2	—
22	R309390	—	57322-001	Shock Frame Hanger Assembly Includes Key Nos. 27, 28, 29	4	1-307
23	Part of R309390	—	50368-000	Shank Bolt, 1/2" Serrated	4	1-307
24	Part of R309390	—	22962-031	Flat Washer, 1/2" Hardened	4	1-307
25	Part of R309390	68RU224	49846-000	Lock Nut	4	1-307
26	S.O.S.	—	49177-005	Air Spring Fastener Kit, Includes Key No. 31, 32	1	—
27	S.O.S.	35AX1548	22962-014	Flat Washer, 1/2" Hardened	4	—
28	S.O.S.	23AX335	17700-010	Lock Nut	4	—
29	S.O.S.	20QK4124M	57356-000	Lower Shock Bracket Assembly Includes Key Nos. 31, 34, 36, 38	4	—
30	S.O.S.	35AX1500	22962-001	Flat Washer, 3/4" Hardened	8	—
31	S.O.S.	—	50764-002	Bolt, 5 1/2"	4	—
32	S.O.S.	68RU245	49842-000	Lock Nut	4	—
33	83125	—	47902-025	Fleetline Shock Absorber, HAS400	4	3-13
	83110	—	57241-004	Fleetline Shock Absorber, HAS40LH	4	3-14
	S.O.S.	—	57905-002	High Torque Shock, HAS4000	4	—
34	S.O.S.	—	50763-001	Cross Channel Fastener Kit	1	—
35	R309393	—	47905-000	Spring Liner	4	1-307

S.O.S. = Available through Meritor's S.O.S. Department

MACK HENDRICKSON AL-40 SUSPENSION

Tractor



LEAF SPRING REFERENCES

SRI No.
50-323
50-325

MACK HENDRICKSON AL-40 SUSPENSION PARTS

Tractor

KEY NO.	MERITOR NO.	REPLACES MACK NO.	HENDRICKSON NO.	DESCRIPTION	QUANTITY PER TANDEM	PAGE NO.
36	R309397	11QK86M	56805-000	Top Pad	4	1-307
37	S.O.S.	4QK4149M	56943-000	Main Support Member, 1 7/8"	4	—
38	R303740	—	48902-000	Spring Spacer, 1"	As Required	1-307
	R303741	—	48903-000	Spring Spacer, 1 1/2"	As Required	1-307
39	S.O.S.	—	Various	Spring Seat Assembly Includes Key Nos. 40, 41, 42	4	—
40	S.O.S.	43RU310M	50918-000	Spring Seat Stud	8	—
41	S.O.S.	35AX1466	22962-004	Flat Washer, 5/8" Hardened	8	—
42	S.O.S.	23AX512	47764-000	Spring Seat Nut	8	—
43	S.O.S.	11QK451BM	50914-000	Axle Bottom Cap, Left Hand	4	—
		11QK452BM	50913-000	Axle Bottom Cap, Right Hand	4	—
44	R309409	17QF357M	49681-001	Torque Rod, 14 13/32" Center-to-Center	4	1-306
	R309581	17QF466M	56903-007	Torque Rod, 14 13/32" Center-to-Center		1-306
45	R305275	47691-000L	47691-000	Torque Rod Bushing	8	1-306
	R309395	—	57256-000	Torque Rod Bushing		
46	See Torque Rod Section		17QF362P2	Transverse Rod Assembly	2	2-36
47	S.O.S.	71RU3177M7	45045-003	Back Up Plate	2	—
48	R302634	—	22186-000	Transverse Rod Frame Bracket	2	1-306
49	S.O.S.	Various	—	Transverse Rod Axle Bracket	2	—
—	R309389	—	48689-001	Quick Release Kit, Includes Part Nos. 48914, 49193-1, 48940	1	1-307
—	Part of R309389	—	49193-001	Synchro Relay Valve	1	1-307
—	Part of R309389	—	48914-000	Air Dump Switch (Located in Cab)	1	1-307
—	Part of R309389	—	48940-000	Air Switch Name Plate (Located in Cab)	1	1-307
—	R303762	—	30272-000	Pressure Protection Valve	1	1-307

S.O.S. = Available through Meritor's S.O.S. Department

MACK SUSPENSION PARTS

SPRING EYE PIN



MERITOR NO.	REPLACES	SERIES	O.D.	O.A.L.
R303715	Mack 44QK173B	Front Suspension 1962-Up	1 1/4"	6 1/4"



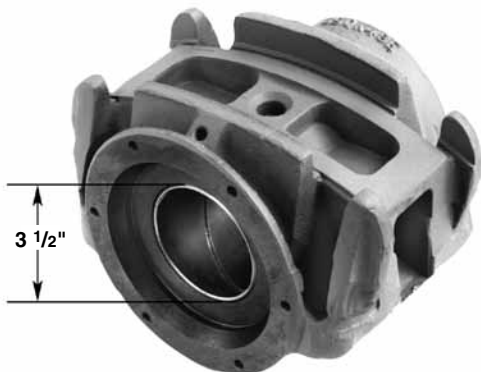
MERITOR NO.	REPLACES	SERIES	O.D.	O.A.L.
R303717	Mack 44QK26A	Late Model FL, FS, RL, RS	1 5/16"	6 9/16"

SPRING EYE PIN



MERITOR NO.	REPLACES	O.D.	O.A.L.
R303718	Mack 44QK19301B	1 1/4"	7 5/64"

TRUNNION AND BUSHING ASSEMBLY



Includes R302925
Bronze Bushing

MERITOR NO.	REPLACES	SERIES
R303687	Mack 39QK27E 39QK27F	SS38 SS44

SPRING EYE BUSHING



MERITOR NO.	REPLACES	SERIES	O.D.	I.D.	O.A.L.
R303900	Mack 10QK146	SC, ST	2 1/2"	1 1/4"	4"

SHACKLE



MERITOR NO.	REPLACES	APPLICATION
R303720	Mack 22QK39301	For West Coast Front Suspension

TRUNNION AND BUSHING ASSEMBLY




Includes R302927 Rubber Bushing

MERITOR NO.	REPLACES	SERIES
R305077 Rubber Bushed	Mack 39QK226C	SS44 44,000 lb. Suspension

MACK SUSPENSION PARTS

TRUNNION AND BUSHING ASSEMBLY



Includes R305421
Bronze Bushing

MERITOR NO.	REPLACES	SERIES
R305417	Mack 39QK319	SS50C, SS58C

TRUNNION AND BUSHING ASSEMBLY



Includes R305432
Bronze Bushing


MERITOR NO.	REPLACES	SERIES
R305431	Mack 39QK39D	SS65C-W

BRONZE TRUNNION BUSHING



MERITOR NO.	REPLACES	SERIES	O.D.	I.D.	LENGTH
R302925	Mack 10QK157 80AX300	SS44	3 3/4"	3 1/2"	3 7/16"
R305421	Mack 10QK158A	SS50C SS58C	4 1/4"	4"	4 5/16"
R305432	Mack 80AX560	SS65C-W	5 1/4"	5"	4 5/16"

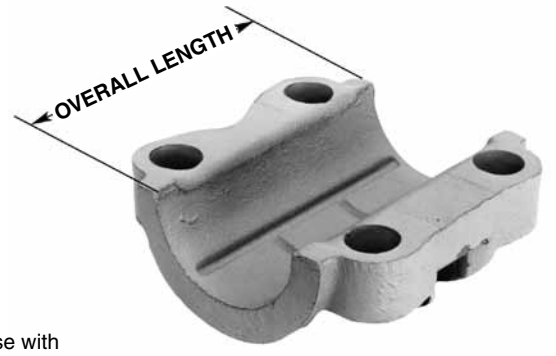
TRUNNION — UPPER HALF



Use with
R302922A Bushing

MERITOR NO.	REPLACES	SERIES	OVERALL LENGTH
R303683	Mack 39QK433A	SS34, SS38, ST	8 3/4"

TRUNNION — LOWER HALF



Use with
R302922A Bushing

MERITOR NO.	REPLACES	SERIES	OVERALL LENGTH
R303685	Mack 39QK431	SS34, SS38, ST	8 3/4"

TRUNNION BUSHING
Early Model Suspension with only Bottom Insulators



MERITOR NO.	REPLACES	SERIES	O.D.	I.D.	LENGTH
R302924A (Rubber)	Mack 10QK130-P1	SS34 SS38	4 7/16"	3 7/16"	8 3/8"
R307441 (Poly)	Mack 10QK130-P1	SS34 SS38	4 7/16"	3 7/16"	8 3/8"

MACK SUSPENSION PARTS

TRUNNION BUSHING
Early Model



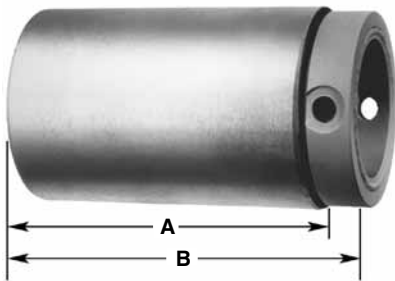
MERITOR NO.	REPLACES	SERIES	O.D.	I.D.	LENGTH
R302921A (Rubber)	Mack 10QK219-P1	SS34, SS38	4 11/16"	3 7/16"	5 9/16"
R307478 (Poly)					

TRUNNION BUSHING
Late Model with new Semi-Round U-Bolts



MERITOR NO.	REPLACES	SERIES	O.D.	I.D.	LENGTH
R302922A (Rubber)	Mack 10QK219-P2 and 10QK219-P3	SS34	4 11/16"	3 7/16"	6 5/16"
R307479 (Poly)		SS38	4 11/16"	3 7/16"	6 5/16"

BONDED STEEL AND RUBBER TRUNNION BUSHING



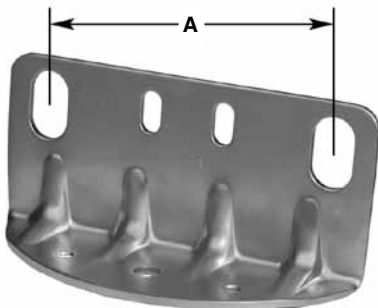
MERITOR NO.	REPLACES	SERIES	O.D.	I.D.	A	B
R302927	Mack 10QK371A	SS 44 SW	5 1/4"	3 1/2"	9"	10 5/8"

RUBBER TRUNNION BUSHING
For Inverted Camel Back Spring



MERITOR NO.	REPLACES	SERIES	O.D.	I.D.	LENGTH
R302923A	Mack 10QK149	SS34 SS38	4 7/16"	3 7/16"	7 9/16"

AIR SPRING FRAME HANGER



MERITOR NO.	REPLACES	GENERAL INFORMATION	"A" Center-to-Center
R309392	Hendrickson 50804-002	7 3/4" x 3 7/8" x 2 3/4"	6"

INNER SPACER



MERITOR NO.	REPLACES	SERIES	O.D.	I.D.	THICKNESS
R303702	Mack 44RU2223-P2	SS44	4 1/8"	3 1/2"	7/16"
R303703	Mack 44RU2223-P1	SS44	4 1/8"	3 1/2"	1/2"

MACK SUSPENSION PARTS



COLLAR

MERITOR NO.	REPLACES	SERIES	O.D.	I.D.	WIDTH
R303704	Mack 44RU2221-P1	SS44	4 1/8"	3 1/2"	2 1/4"
R3010116	Mack 44RU2221-P2	S44	4 1/8"	3 1/2"	1 3/4"



LOCK WASHER

MERITOR NO.	REPLACES	SERIES	O.D.	I.D.	THICKNESS
R303915	Mack 23QJ112B	SS44, SW	4 7/8"	3 5/16"	1/4"



TRUNNION CAP

MERITOR NO.	REPLACES	SERIES	GENERAL INFORMATION
R303697	Mack 97QL399P2	SS44, SW	6 Holes, 7" Bolt Circle Used on R303687 Trunnion



STEEL WASHER

MERITOR NO.	REPLACES	SERIES	O.D.	I.D.	THICKNESS
R303699	Mack 43QK117	SS44, SW	5 3/8"	3 1/2"	5/16"
R305423	Mack 43QK118	SS50C SS58C	6 1/4"	4 1/32"	5/16"



BRONZE WASHER

MERITOR NO.	REPLACES	SERIES	O.D.	I.D.	THICKNESS
R303698	Mack 43QJ116 35AX688	SS44, SW	5 1/4"	3 1/2"	1/4"
R305422	Mack 43QK115	SS50C SS58C	6 3/16"	4 1/32"	1/4"
R305433	Mack 43QK23A	SS65C-W	6 11/16"	5 1/64"	1/4"



TRUNNION NUT

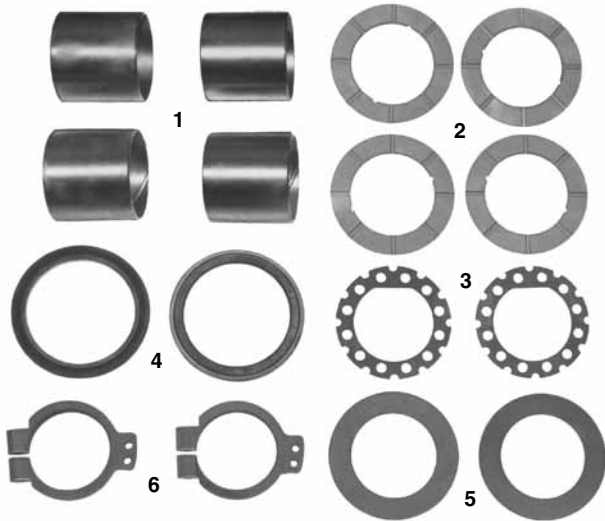
MERITOR NO.	REPLACES	SERIES	O.D.	THREAD
R303700	Mack 25QJ223	SS44, SW	4 1/16"	3 5/16"-12
R305424	Mack 25QJ220BP2	SS50C SS58C	6 1/8"	3 7/8"-12
R305434	Mack 25QJ220B	SS65C-W	6 1/8"	3 7/8"-8



SEAL

MERITOR NO.	REPLACES	SERIES	O.D.	I.D.	THICKNESS
R303187	Mack 88AX449 88AX446 88AX244	SS44, SW	5 1/2"	4 3/8"	9/16"
R305425	Mack 88AX253	SS50C SS58C	6 3/8"	5 1/8"	1/2"

MACK SUSPENSION PARTS



MACK TRUNNION SHAFT KIT

MERITOR KIT R303916
FOR SS44

ITEM	QTY.	MERITOR NO.	REPLACES MACK NO.	DESCRIPTION
1	4	R302925	10QK157 80AX300	Bronze Bushing
2	4	R303698	43QJ116 35AX68B	Bronze Washer
3	2	R303915	23QJ112B	Lock Washer
4	2	R303187	83AX446 88AX244	Seal
5	2	R303699	43QK117	Steel Washer
6	2	R303700	25QJ223	Nut

INSULATOR BOX



MERITOR NO.	REPLACES	SERIES	OUTSIDE HEIGHT
R303688	Mack 52QK418-AP4	SC,SS44, ST, SW	7 5/16"

INSULATOR BOX



MERITOR NO.	REPLACES	SERIES	GENERAL INFORMATION	OUTSIDE HEIGHT
R305436	Mack 52QK434BP1	SS65C-W	For Standard Spring	7 3/4"

DISCONTINUED

INSULATOR BOX



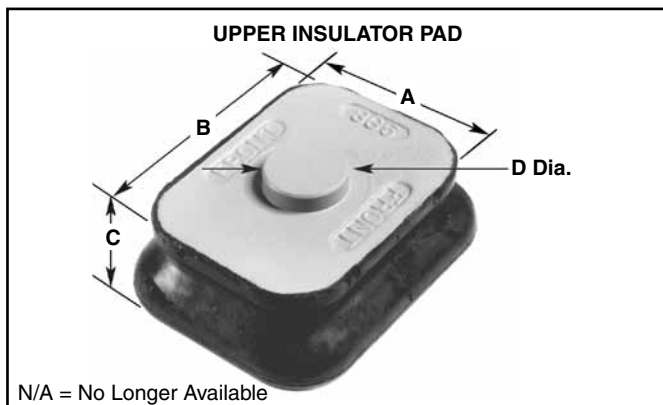
MERITOR NO.	REPLACES	SERIES	GENERAL INFORMATION	OUTSIDE HEIGHT
N/A	Mack 52QK434BP3	SS50C SS58C	For Standard Spring	8 7/16"

INSULATOR SPACER BLOCK



MERITOR NO.	REPLACES	SERIES
R303689	Mack 13QK246	SC, SS, ST, SW

MACK SUSPENSION PARTS

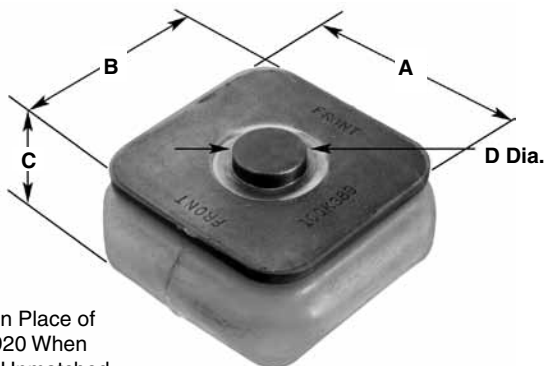


N/A = No Longer Available

MERITOR NO.	REPLACES	SERIES	A	B	C	D DIA.
R302917 (Rubber)	Mack 10QK365A	SS34 SS38	4 1/2"	6"	2 1/2"	1 3/4"
R307481 (Poly)						
N/A (Rubber)	Mack		4 1/2"	6"	3"	1 1/4"
R302919 (Rubber)	Mack 10QK370	SS44	4 1/2"	6"	3"	1 3/4"
R308667 (Poly)						
R303679 (Rubber)	Mack 10QK32B-P1	SS50C SS58C SS65C-W	5 3/8"	6 7/8"	3 3/4"	1 1/2"

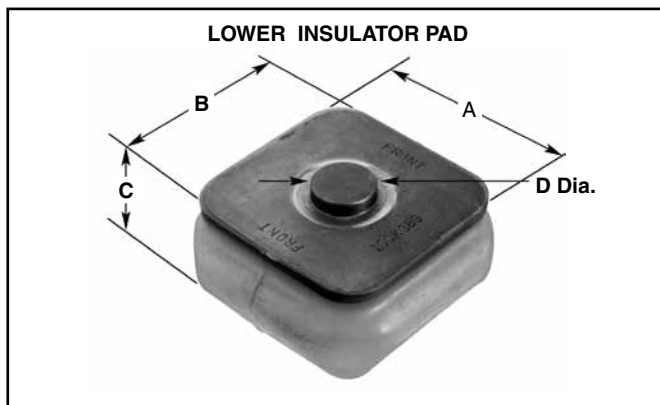
SPECIAL SERVICE LOWER INSULATOR PAD

Insulator Pin is Located 1/8" Off Center For Axle Alignment Correction



Used in Place of R302920 When Using Unmatched Springs

MERITOR NO.	REPLACES	SERIES	A	B	C	D
R303919	Mack 10QK48	SS34 SS38 SS44	6"	6"	3 3/4"	1 3/4"



MERITOR NO.	REPLACES	SERIES	A	B	C	D DIA.
R302920 (Rubber)	Mack 10QK36B	SS34 SS38 SS44	6"	6"	3 3/4"	1 3/4"
R307480 (Poly)	Mack 10QK388					
R303680 (Rubber)	Mack 10QK372	SS50C SS58C SS65C-W	7"	7"	4 1/4"	2"

FRONT SPRING INSULATOR



MERITOR NO.	REPLACES	APPLICATION
R303722	Mack 10QK332A	East Coast Front Suspension

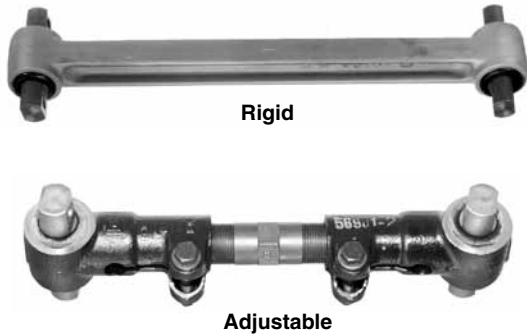
TOP PLATE



MERITOR NO.	REPLACES	SERIES	O.A.L.
R305426	Mack 8QK232A	SS50C,SS58C, SS65C-W	10 11/16"

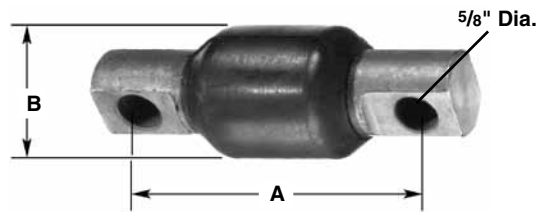
MACK AL-40 SUSPENSION PARTS

TORQUE ARM



MERITOR NO.	REPLACES	LENGTH Center-to-Center
R309409	Mack 17QF357M (Rigid)	14 13/32"
R309581	Mack 17QF466M (Adjustable)	14 13/32"

TORQUE ARM BUSHING



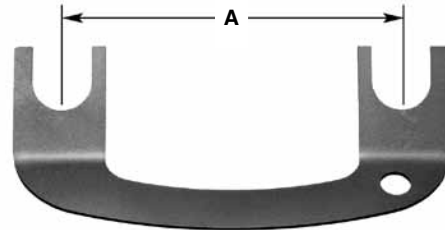
MERITOR NO.	REPLACES	A	B
R305275	Mack 47691-000L	4 3/8"	2"
R309395	Mack 57256-000	4 3/8"	2 15/32"

TORQUE ARM FASTENER KIT



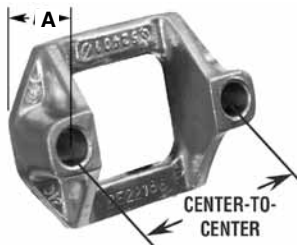
MERITOR NO.	REPLACES	BOLT DIMENSIONS	
R305277	Mack 35AX1466 43RU2134 23AX512	Hendrickson 49176-001 (Assembly) 32043-005 Bolt 22962-004 Washer 47764-000 Nut	5/8" x 4 1/2"

TORQUE ARM SHIM



MERITOR NO.	REPLACES	A	THICKNESS
R305281	Mack 44RU2384M	4 3/8"	1/16"

TORQUE ROD BRACKET



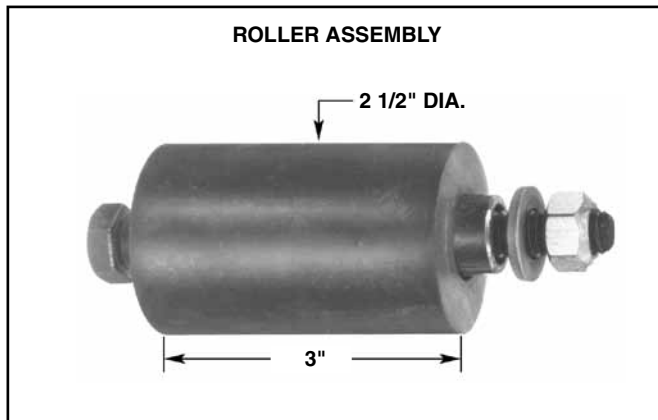
MERITOR NO.	REPLACES	A	CENTER-TO-CENTER
R302634	Hendrickson 22186-000	1 29/32"	4 3/8"

SLIPPER PAD KIT

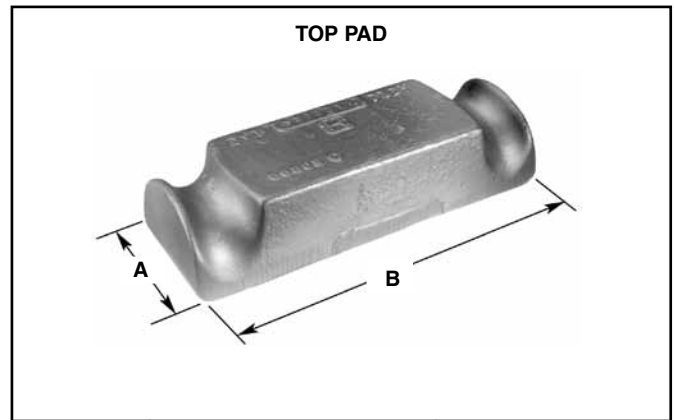


MERITOR NO.	REPLACES	GENERAL INFORMATION
R309391	Hendrickson 56557-002 (Assembly) 50612-000 Pad 50597-000 Plate 57306-000 Screw	For All HAS Models Includes: 1 Pad 2 Plates 4 Self-Tapping Screw

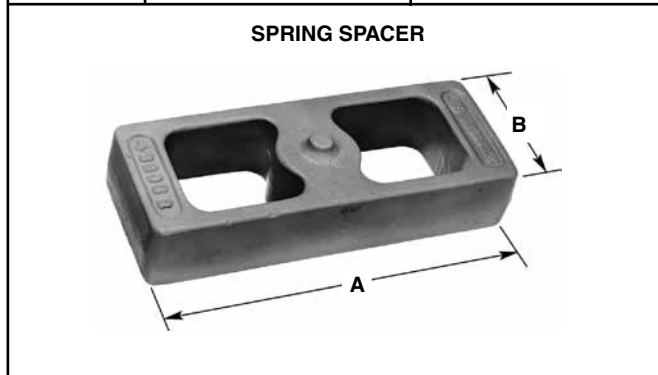
MACK AL-40 SUSPENSION PARTS



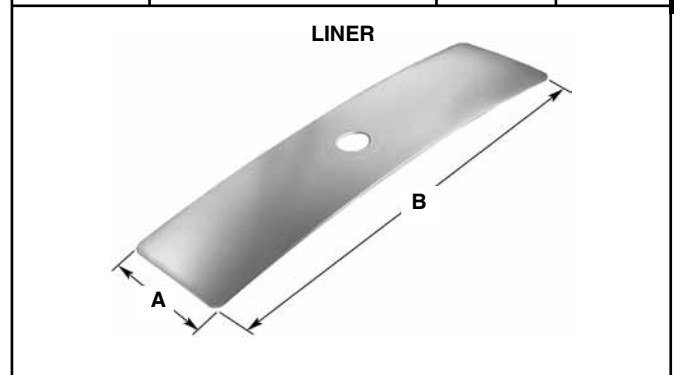
MERITOR NO.	REPLACES	GENERAL INFORMATION
R309432	Hendrickson 24531-014 Bolt 47458-000 Spacer 49846-000 Nut 22962-014 Washer 48883-000 Roller	Bolt 1/2"-20 Thd. x 5 1/2" Long



MERITOR NO.	REPLACES	A	B
R309397	Mack 11QK86M Hendrickson 56805-000	3"	8 1/8"



MERITOR NO.	REPLACES	HEIGHT	A	B
R303740	Hendrickson 48902-000	1"	7 3/4"	3"
R303741	Hendrickson 48903-000	1 1/2"	7 3/4"	3"



MERITOR NO.	REPLACES	A	B
R309393	Hendrickson 47905-000	2 3/16"	8"



MERITOR NO.	REPLACES	GENERAL INFORMATION
R309390	Hendrickson 57322-001 (Assembly) 50368-000 Bolt 50368-000 Washer Mack 68RU224 Lock Nut Hendrickson 49846-000	Includes: Hanger, Stud, Washer, Lock Nut

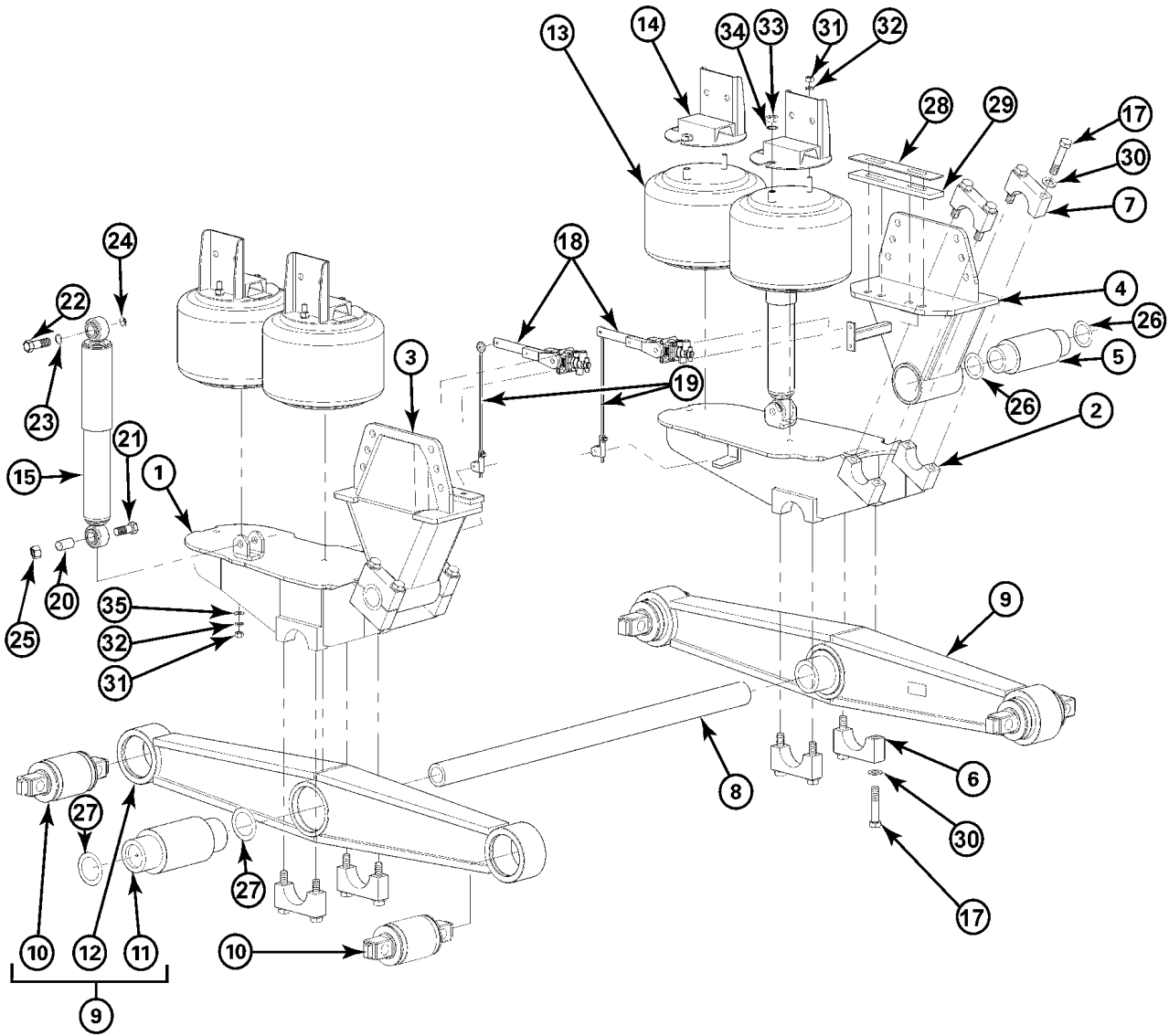


MERITOR NO.	REPLACES	GENERAL INFORMATION
R309389	Hendrickson 48689-001 (Assembly) 49689-001 Valve 48914-000 Switch 48940-000 Plate	Includes: 1 Synchro Relay Valve (mounted near air springs), and 1 each, Air Dump Switch and Name Plate (installed in Cab)

MERITOR AIR LINK™ MWA SUSPENSION

INTERNATIONAL TRUCK & ENGINE MWA46 AND MWA52 SERIES APPLICATIONS

1



MERITOR AIR LINK™ MWA SUSPENSION PARTS

INTERNATIONAL TRUCK & ENGINE MWA46 AND MWA52 SERIES APPLICATIONS

KEY NO.	MERITOR NO.	DESCRIPTION	QTY. PER TANDEM	PAGE NO.
1	B3-3305-E-2033	Trailing Arm - Right for MWA46 - 7000 Series	1	—
	B1-3305-S-2151	Trailing Arm - Right for MWA46 - 9800 Series (Export)	1	—
	B1-3305-V-2154	Trailing Arm - Right for MWA52 - Military	1	—
2	B2-3305-E-2033	Trailing Arm - Left for MWA46 - 7000 Series	1	—
	B-3305-S-2151	Trailing Arm - Left for MWA46 - 9800 Series (Export)	1	—
	B-3305-V-2154	Trailing Arm - Left for MWA52 - Military	1	—
3	B1-3305-X-1896	Hanger Bracket - Right for MWA46 - 7000 Series	1	—
	B1-3305-B-1900	Hanger Bracket - Right for MWA52 - Military	1	—
4	B-3305-X-1896	Hanger Bracket - Left for MWA46 - 7000 Series	1	—
	B-3305-B-1900	Hanger Bracket - Left for MWA52 - Military	1	—
	B2-3305-X-1896	Hanger Bracket - Front Right/Left (HCV Brkt excluded) for MWA46 - 9800 Series (Export)	2	—
5	1225-F-1436	Hanger Bracket Bushing	2	—
6	NSS	Walking Beam Retainer Block 3.50" Bore	4	—
7	NSS	Hanger Bracket Retainer Block 2.75" Bore	4	—
8	3196-Q-1291	Cross Tube	1	—
9	B1-3216-Q-4671	Walking Beam Assembly	2	—
10	A-1225-E-1435	Walking Beam End Bushing Assembly (Includes Flat Washer, Shim Washer, Nut and Bolt)	4	—
11	1225-D-1434	Walking Beam Center Bushing	2	—
12	NSS	Walking Beam Weldment	2	—
13	2258-Z-1508	Air Spring	4	—
14	A-3380-B-1302	Air Spring Hanger Bracket	4	—
15	7805-S-1033	Shock Absorber	2	—
17	S-11232-P-2	Bolt, UNF Grade 8, Black (3/4" x 4")	16	—
18	7806-L-1026	Height Control Valve	2	—
19	1245-F-1098	Height Control Valve Linkage	2	—
20	3216-J-4690	Shock Tube	2	—
21	S-11228-2	Shock Bolts, 3/4"	2	—
22	S-21656-2	Shock Bolts, 1"	2	—
23	WA-316-K-1	Flat Washer 1" USS Black	2	—
24	1227-F-1722	Nut NC 1"	2	—
25	1227-G-1723	Nut NF Nylock 3/4" Black	2	—
26	3380-N-1132	Shims, Small	4	—
27	3380-M-1131	Shims, Large	4	—
28	3305-U-2153	Hanger, Spacer (.313" thick)	4	—
29	3305-T-2152	Hanger, Spacer (.25" thick)	2	—
30	1229-V-1504Z	Flat Washer, Grade 8, 3/4"	16	—
31	N-38-M-1	1/2" C Nut (Qty 4 to Connect Air Spring to Air Spring Hanger Brkt) (Qty 4 to Connect Air Spring and Hanger Brkt to Trailing Arm)	8	—
32	WA-18-K-1	Washer Lock 1/2" - Zinc Plating (Qty 4 to Connect Air Spring to Air Spring Hanger Brkt) (Qty 4 to Connect Air Spring and Hanger Brkt to Trailing Arm)	8	—
33	NL-112-M-1	Nut NF 3/4" Jam - Zinc Rich Coating	4	—
34	1229-R-5062	Internal Tooth Lock Washer 3/4"	4	—
35	WA-38-K-1	Flat Washer 1/2"	4	—
Not Shown	2206-P-1550	Fitting, Elbow, Orientation Towards Road Side	2	—
Not Shown	2206-Q-1551	Fitting, Tee	2	—

NSS - Not Sold Separately

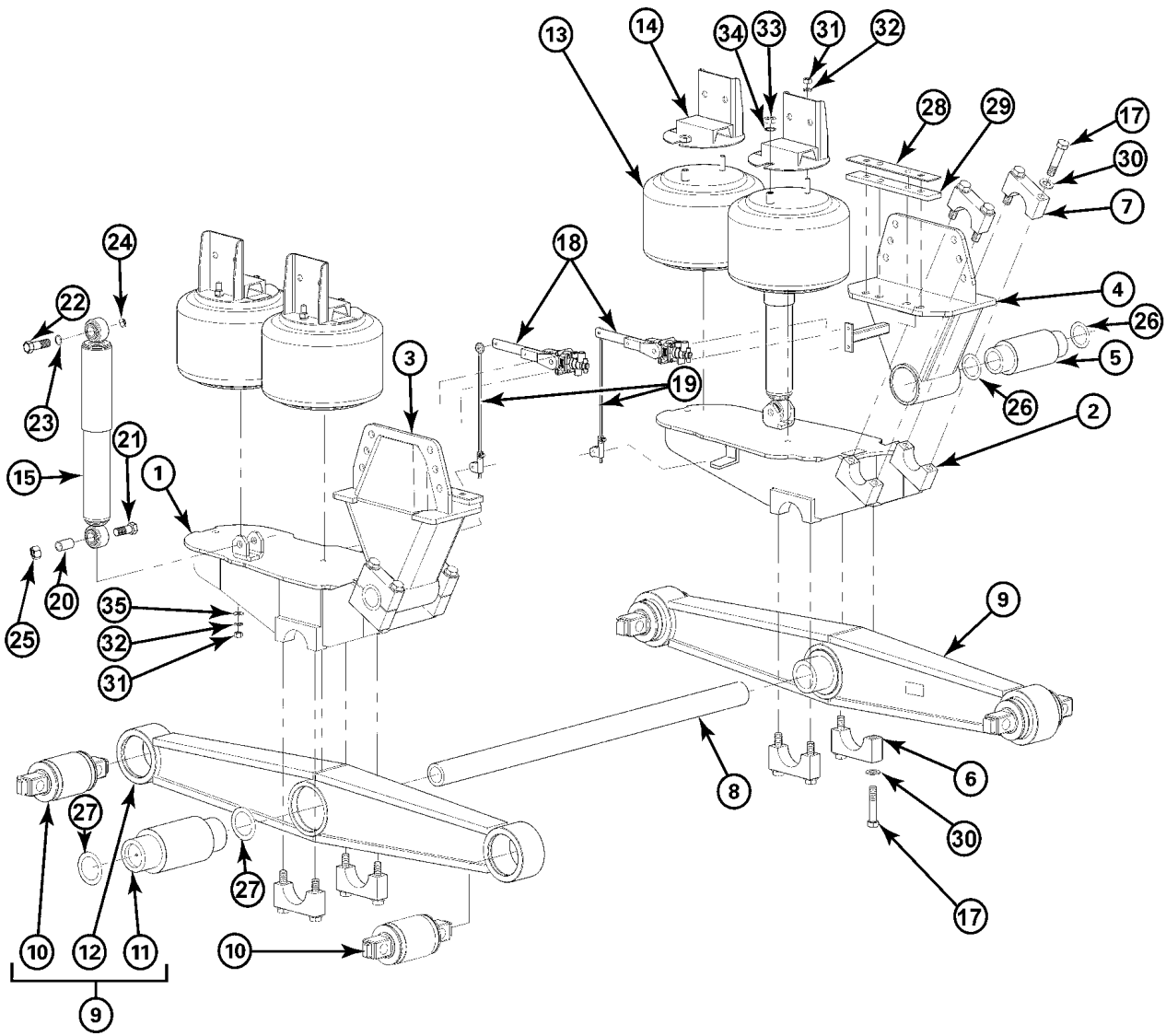
Service maintenance manual is available at www.meritorhvs.com/lodsearch. Use literature number MM-06130.

MERITOR AIR LINK™ MWA SUSPENSION

MACK

MWA46 AND MWA52 SERIES APPLICATIONS

1



MERITOR AIR LINK™ MWA SUSPENSION PARTS

MACK

MWA46 AND MWA52 SERIES APPLICATIONS

KEY NO.	MERITOR NO.	DESCRIPTION	QTY. PER TANDEM	PAGE NO.
1	B1-3305-E-2033	Trailing Arm - Right for MWA46	1	—
	B1-3305-K-2039	Trailing Arm - Right for MWA52	1	—
2	B-3305-E-2033	Trailing Arm - Left for MWA46	1	—
	B-3305-K-2039	Trailing Arm - Left for MWA52	1	—
3	B1-3305-X-1896	Hanger Bracket - Right for MWA46	1	—
	B5-3305-X-1896	Hanger Bracket - Right for MWA52	1	—
4	B-3305-X-1896	Hanger Bracket - Left for MWA46	1	—
	B4-3305-X-1896	Hanger Bracket - Left for MWA52	1	—
5	1225-F-1436	Hanger Bracket Bushing	2	—
6	NSS	Walking Beam Retainer Block 3.50" Bore	4	—
7	NSS	Hanger Bracket Retainer Block 2.75" Bore	4	—
8	3196-Q-1291	Cross Tube	1	—
9	B1-3216-Q-4671	Walking Beam Assembly	1	—
10	A-1225-E-1435	Walking Beam End Bushing Assembly (Includes Flat Washer, Shim Washer, Nut and Bolt)	4	—
11	1225-D-1434	Walking Beam Center Bushing	2	—
12	—	Walking Beam Weldment	1	—
13	2258-Z-1508	Air Spring	4	—
14	A-3380-D-1122	Air Spring Hanger Bracket	4	—
15	7805-S-1033	Shock Absorber	2	—
17	S-11232-P-2	Bolt, UNF Grade 8, Black (3/4" x 4")	16	—
18	7806-L-1026	Height Control Valve	2	—
19	1245-F-1098	Height Control Valve Linkage	2	—
20	3216-J-4690	Shock Tube	2	—
21	S-11228-2	Shock Bolts, 3/4"	2	—
22	S-21656-2	Shock Bolts, 1"	2	—
23	WA-316-K-1	Flat Washer 1" USS Black	2	—
24	1227-F-1722	Nut NC 1"	2	—
25	1227-G-1723	Nut NF Nylock 3/4" Black	2	—
26	3380-N-1132	Shims, Small	4	—
27	3380-M-1131	Shims, Large	4	—
28	3305-L-1884	Hanger, Spacer (.125" thick)	4	—
29	3305-M-1885	Hanger, Spacer (.25" thick)	4	—
30	1229-V-1504K	Flat Washer, Grade 8, 3/4"	16	—
31	N-38-M-1	1/2" C Nut (Qty 4 to Connect Air Spring to Air Spring Hanger Brkt) (Qty 4 to Connect Air Spring and Hanger Brkt to Trailing Arm)	8	—
32	WA-18-K-1	Washer Lock 1/2" - Zinc Plating (Qty 4 to Connect Air Spring to Air Spring Hanger Brkt) (Qty 4 to Connect Air Spring and Hanger Brkt to Trailing Arm)	8	—
33	NL-112-M-1	Nut NF 3/4" Jam - Zinc Rich Coating	4	—
34	1229-R-5062	Internal Tooth Lock Washer 3/4"	4	—
35	WA-38-K-1	Flat Washer 1/2"	4	—
Not Shown	2206-P-1550	Fitting, Elbow, Orientation Towards Road Side	2	—
Not Shown	2206-Q-1551	Fitting, Tee	1	—

NSS - Not Sold Separately

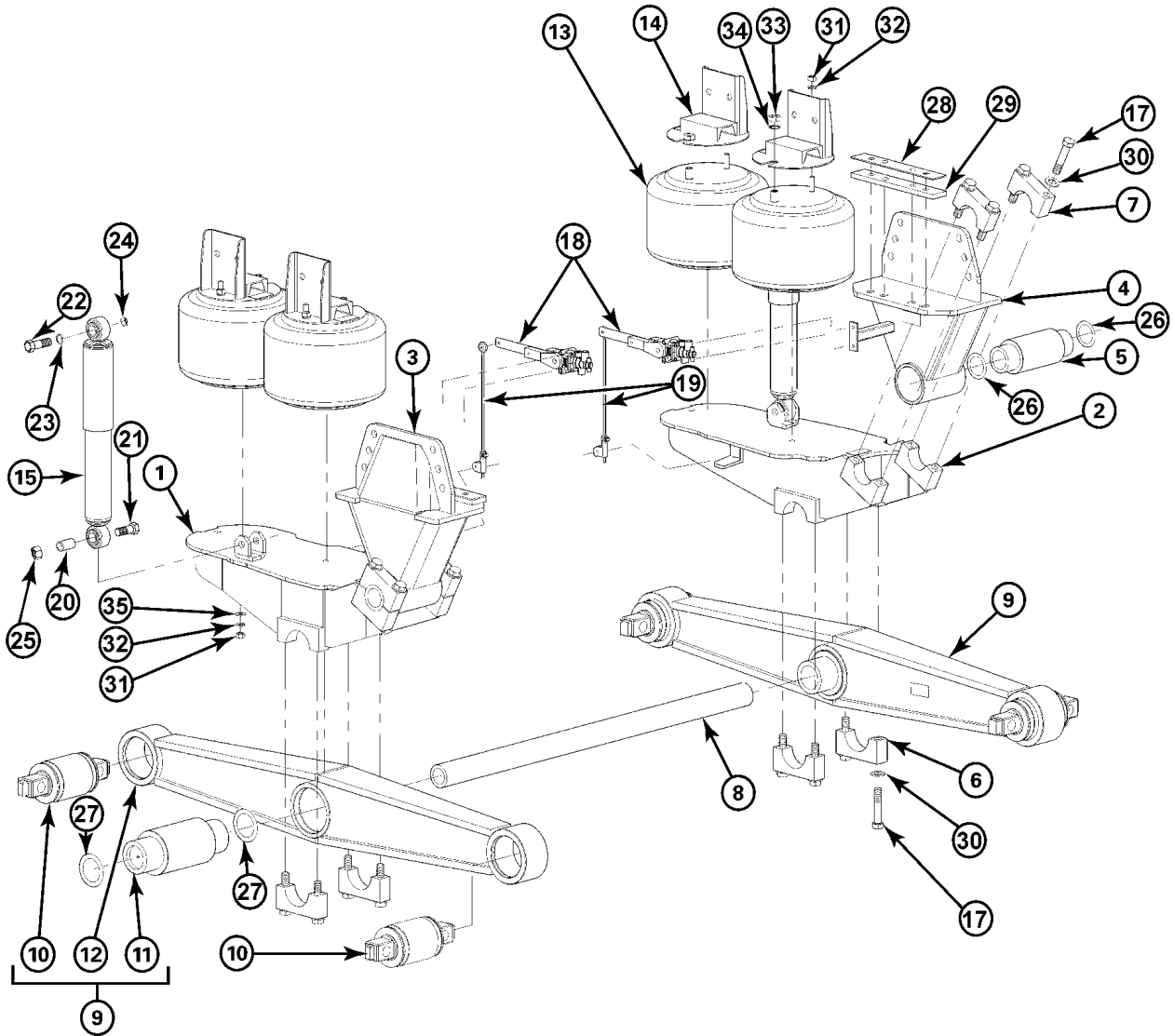
Service maintenance manual is available at www.meritorhvs.com/lodsearch. Use literature number MM-06130.

MERITOR AIR LINK™ MWA SUSPENSION

VOLVO

MWA46 SERIES APPLICATIONS

1



MERITOR AIR LINK™ MWA SUSPENSION PARTS

VOLVO

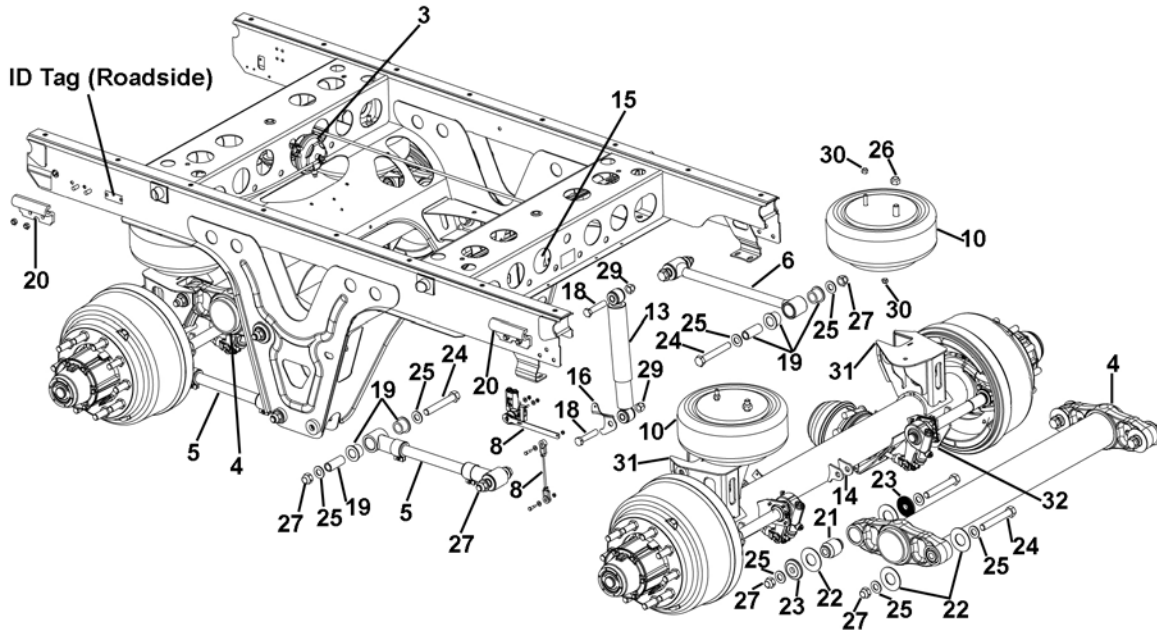
MWA46 SERIES APPLICATIONS

KEY NO.	MERITOR NO.	DESCRIPTION	QTY. PER TANDEM	PAGE NO.
1	B1-3305-E-2033	Trailing Arm - Right for MWA46	1	—
2	B-3305-E-2033	Trailing Arm - Left for MWA46	1	—
3	B1-3305-X-1896	Hanger Bracket - Right for MWA46	1	—
4	B-3305-X-1896	Hanger Bracket - Left for MWA46	1	—
5	1225-F-1436	Hanger Bracket Bushing	2	—
6	—	Walking Beam Retainer Block 3.50" Bore	4	—
7	—	Hanger Bracket Retainer Block 2.75" Bore	4	—
8	3196-Q-1291	Cross Tube	1	—
9	B1-3216-Q-4671	Walking Beam Assembly	1	—
10	A-1225-E-1435	Walking Beam End Bushing Assembly (Includes Flat Washer, Shim Washer, Nut and Bolt)	4	—
11	1225-D-1434	Walking Beam Center Bushing	2	—
12	—	Walking Beam Weldment	1	—
13	2258-Z-1508	Air Spring	4	—
14	A-3380-B-1302	Air Spring Hanger Bracket	4	—
15	7805-S-1033	Shock Absorber	2	—
17	S-11232-P-2	Bolt, UNF Grade 8, Black (3/4" x 4")	16	—
18	7806-L-1026	Height Control Valve	2	—
19	1245-F-1098	Height Control Valve Linkage	2	—
20	3216-J-4690	Shock Tube	2	—
21	S-11228-2	Shock Bolts, 3/4"	4	—
22	S-21656-2	Shock Bolts, 1"	4	—
23	WA-316-K-1	Flat Washer 1" USS Black	2	—
24	1227-F-1722	Nut NC 1"	2	—
25	1227-G-1723	Nut NF Nylock 3/4" Black	2	—
26	3380-N-1132	Shims, Small	4	—
27	3380-M-1131	Shims, Large	4	—
28	3305-L-1884	Hanger, Spacer (.125" thick)	4	—
29	3305-M-1885	Hanger, Spacer (.25" thick)	4	—
30	1229-V-1504K	Flat Washer, Grade 8, 3/4"	16	—
31	N-38-M-1	1/2" C Nut (Qty 4 to Connect Air Spring to Air Spring Hanger Brkt) (Qty 4 to Connect Air Spring and Hanger Brkt to Trailing Arm)	8	—
32	WA-18-K-1	Washer Lock 1/2" - Zinc Plating (Qty 4 to Connect Air Spring to Air Spring Hanger Brkt) (Qty 4 to Connect Air Spring and Hanger Brkt to Trailing Arm)	8	—
33	NL-112-M-1	Nut NF 3/4" Jam - Zinc Rich Coating	4	—
34	1229-R-5062	Internal Tooth Lock Washer 3/4"	4	—
35	WA-38-K-1	Flat Washer 1/2"	1	—
Not Shown	2206-P-1550	Fitting, Elbow, Orientation Towards Road Side	2	—
Not Shown	2206-Q-1551	Fitting, Tee	1	—

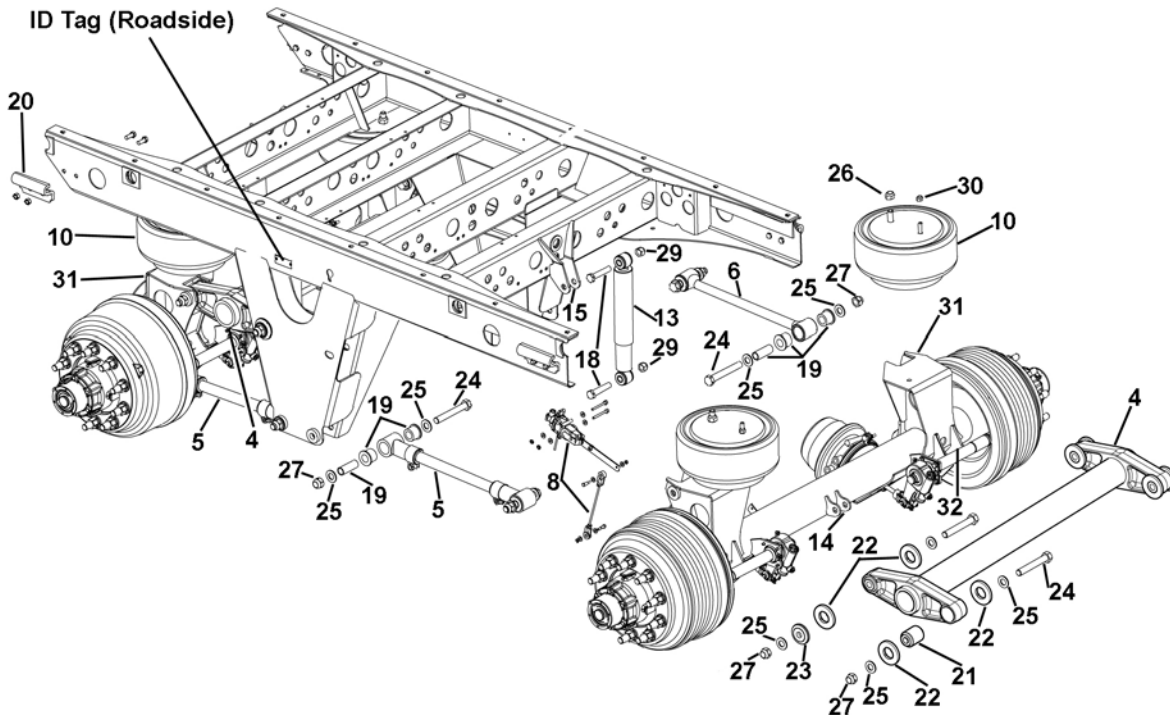
Service maintenance manual is available at www.meritorhvs.com/lodsearch. Use literature number MM-06130.

MERITOR RIDESENTRY™ MPA & RHP SERIES TRAILER SUSPENSION

RIDESENTRY™ MPA SERIES TANDEM TRAILER AIR SUSPENSION SYSTEM



RHP SERIES TANDEM TRAILER AIR SUSPENSION SYSTEM



MERITOR RIDESENTRY™ MPA & RHP SERIES TRAILER SUSPENSION PARTS

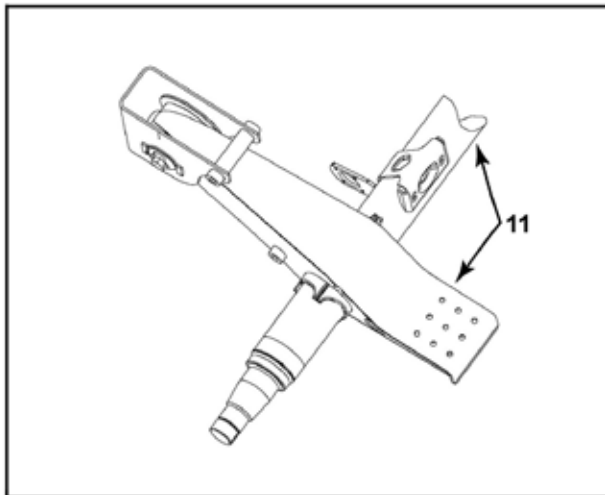
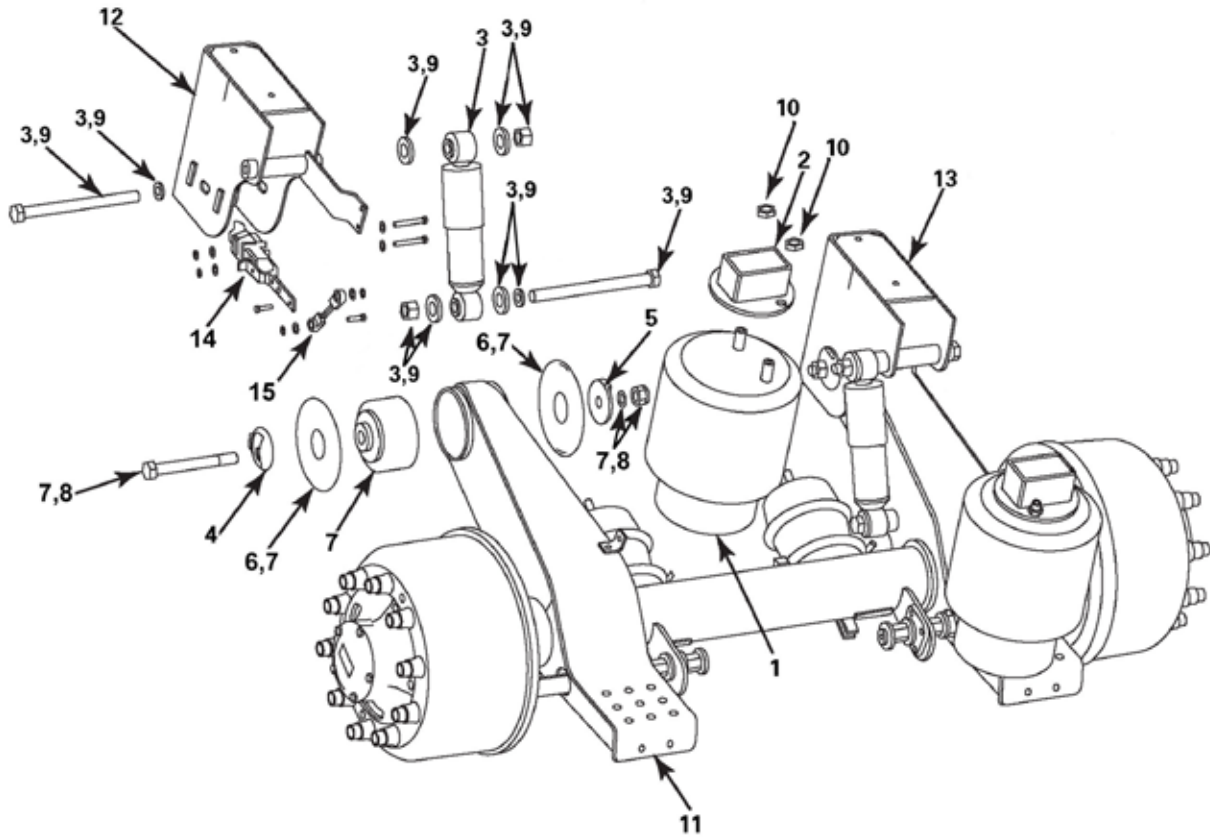
KEY NO.	MERITOR NO.	DESCRIPTION	QUANTITY PER TANDEM	PAGE NO.
3	KIT11330	Retrofit Kit for Adding Pneumatic PinLoc - Retrofit to MPA RideSentry Slider with EZ Pull 2	1	—
4	A23216D4632K	Upper Control Arm Assembly (with Bushing and Hardware)	2	—
5	A1-3133-C-8921	Lower Control Arm Assembly (Adjustable with Bushings)	2	1-320
6	A3133G8249	Lower Control Arm Assembly (Non-Adjustable with Bushings)	2	1-320
8	KIT11308	Height Control Valve Kit with Automatic Dump Valve - RHP Only	2	1-321
	KIT11309	Height Control Valve Kit without Automatic Dump Valve - RHP Only	2	—
	KIT11332	Height Control Valve Kit with Automatic Dump Valve - MPA Ride Sentry Only	2	—
	KIT11333	Height Control Valve Kit without Automatic Dump Valve - MPA Ride Sentry Only	2	—
10	A-2258-A-1457	Air Spring - Double Convolute - RHP11 Only - Not Used on RHP55	4	—
	FS8729	Air Spring - All RHP11 and MPA 16.5" Ride Height	4	—
	A-2258-F-1410			
	A-2258-X-1532	Air Spring - MPA 18.5" Ride Height and 17.5" Ride Height *	4	—
13	85919	Shock Absorber	2	3-14
14	M312508	Shock Bracket at Axle Location for All Right Heights	2	—
15	M312520	Shock Bracket at Slider Location for 16.5" thru 17.5" Ride Heights - RHP11	2	—
	3155-W-1349	Shock Bracket at Slider Location for 16.5" thru 17.5" Ride Heights - RHP55	2	—
	2258-Q-1421	Shock Bracket at Slider Location for All Ride Heights - MPA RideSentry Only	2	—
	M315521	Shock Bracket at Slider Location for 18.5" Ride Heights - RHP11 Only	2	—
16	2255-D-1408	Height Control Linkage - MPA RideSentry Only	2	—
18	M301501	Capscrew - 3/4"-10 x 3-1/2", Grade 8	4	—
	M301552	Capscrew - 3/4"-10 x 4-1/2", Grade 8	4	—
19	M302502	Urethane Control Arm Bush w/ Inner Metal Tube	8	1-320
20	2257-P-1264	Hold Down Clip	4	—
21	A1225-G-1437	Bushing	8	—
22	1229-N-5006	Thrust Washer	16	—
23	M301532	Pivot Bolt Washer, 3" OD x 7/8" ID x 1/2" Thk	4	—
	1229-K-4899	Washer - Outer	4	—
	1229-L-4900	Washer - Inner	4	—
24	S-21448P-2	Pivot Bolt - 7/8"-9 x 6", Grade A-490	8	—
25	M301530	Hardened Flat Washer - 7/8" ID	8	1-320
26	R004961A	Lock Nut - 3/4"-16, Grade 8	4	2-34
27	1227-R-1604	Torque Nut, 7/8"-9, Grade C	8	—
29	M301552	Lock Nut - 3/4"-10, Grade C	4	—
30	1227-B-1614	Lock Nut - 1/2"-13, Grade B	4	—
31	NSS	Upper Axle Seat	4	—
32	NSS	Lower Axle Seat	4	—
Not Shown	1244-C-2733	Air Spring Spacer - MPA - 17.5" and 18.5" Ride Height	4	—

NSS - Not Sold Separately

* Requires use of 1244-C-2733 spacer

MERITOR RFS23T TRAILER SUSPENSION

RFS23T Model



1

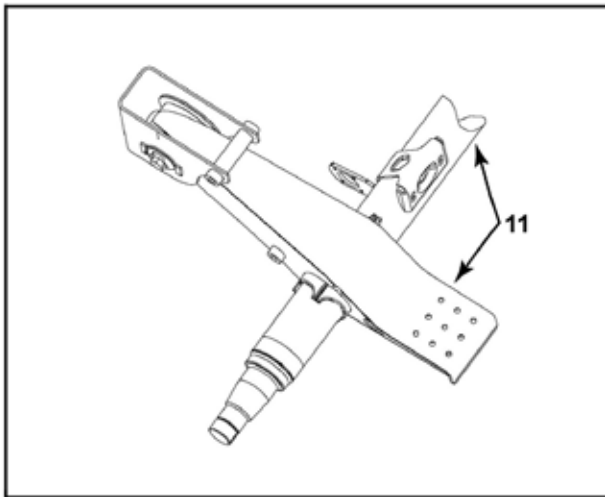
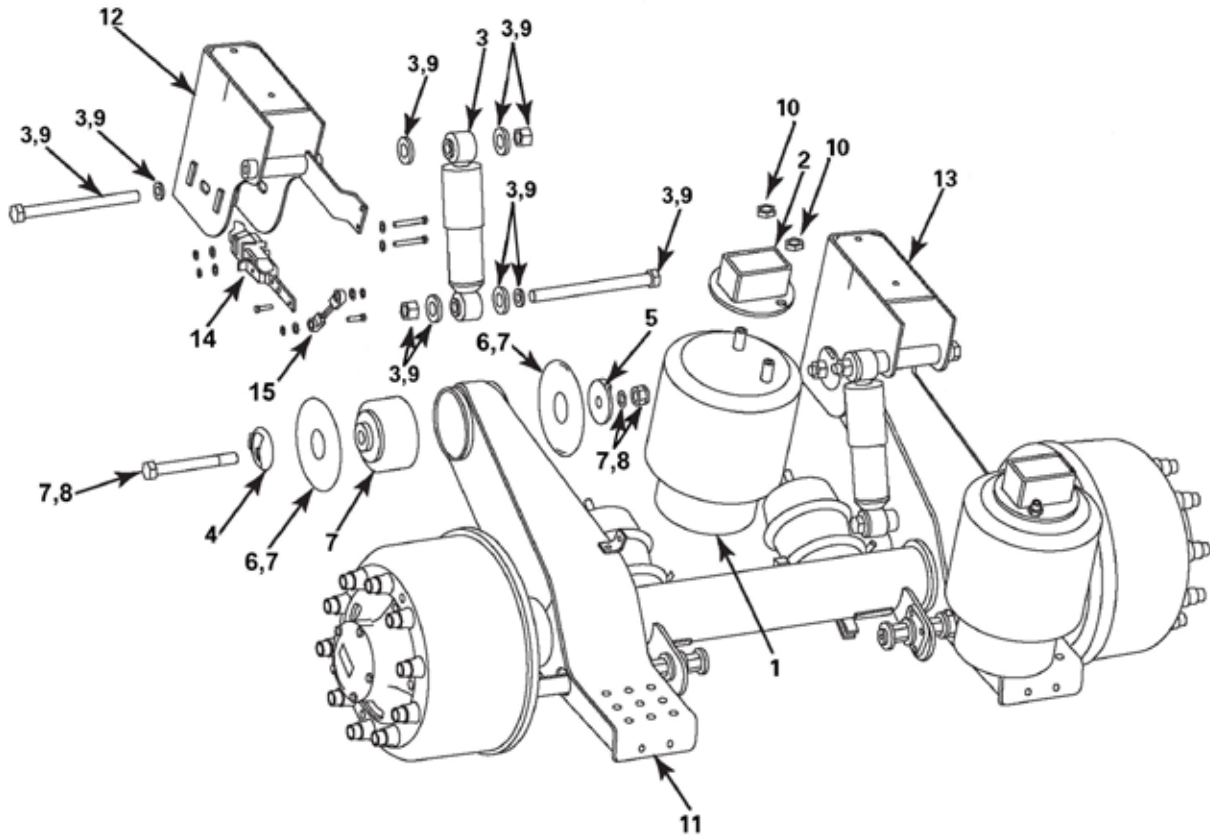
MERITOR RFS23T TRAILER SUSPENSION PARTS

KEY NO.	MERITOR NO.	DESCRIPTION	QTY. PER TANDEM	PAGE NO.
1	FS6231	Air Spring	2	—
	21227742			
2	—	Air Spring Pedestal (Std. Ride Heights)		—
	21227629	14" Ride Height	2	—
	21227667	15" Ride Height	2	—
	21227668	16" Ride Height	2	—
	21227630	17" Ride Height	2	—
	3305-M-1651	14" Ride Height (Bolt-On 9/16" Dia. Holes)	2	—
	A-3150-V-2674	15" Ride Height (Bolt-On 9/16" Dia. Holes)	2	—
	A-3150-W-2675	16" Ride Height (Bolt-On 9/16" Dia. Holes)	2	—
A-3150-X-2676	17" Ride Height (Bolt-On 9/16" Dia. Holes)	2	—	
3	87015	Shock Absorber Kit	2	3-12
	KIT11210			—
4	21226276	Eccentric Alignment Collar	2	—
5	21226275	Concentric Alignment Collar	2	—
6	21226663	Wear Washer	4	—
7	KIT11201	Pivot Bolt and Bushing Kit	2	1-324
8	KIT11202	Pivot Bolt Kit	2	1-324
9	KIT11200	Shock Absorber Bolt Kit	2	1-324
10	KIT11203	Air Spring Bolt Kit	2	1-324
11	—	Trailing Arm/Axle Subassembly	1	—
12	—	Roadside Hanger (Standard Models)		—
	A-3152-N-1158	14" Ride Height (Weld-On)	1	—
	A1-3152-N-1158	15" Ride Height (Weld-On)	1	—
	A2-3152-N-1158	16" Ride Height (Weld-On)	1	—
	A3-3152-N-1158	17" Ride Height (Weld-On)	1	—
	A-3152-Y-1169	14" Ride Height (Bolt-On 9/16" Dia. Holes)	1	—
	A1-3152-Y-1169	15" Ride Height (Bolt-On 9/16" Dia. Holes)	1	—
	A2-3152-Y-1169	16" Ride Height (Bolt-On 9/16" Dia. Holes)	1	—
	A3-3152-Y-1169	17" Ride Height (Bolt-On 9/16" Dia. Holes)	1	—
	A-3152-K-1155	14" Ride Height (Bolt-On 11/16" Dia. Holes)	1	—
	A1-3152-K-1155	15" Ride Height (Bolt-On 11/16" Dia. Holes)	1	—
	A2-3152-K-1155	16" Ride Height (Bolt-On 11/16" Dia. Holes)	1	—
A3-3152-K-1155	17" Ride Height (Bolt-On 11/16" Dia. Holes)	1	—	
13	—	Curbside Hanger (Standard Models)		—
	A-3152-P-1160	14" Ride Height (Weld-On)	1	—
	A1-3152-P-1160	15" Ride Height (Weld-On)	1	—
	A2-3152-P-1160	16" Ride Height (Weld-On)	1	—
	A3-3152-P-1160	17" Ride Height (Weld-On)	1	—
	A-3152-X-1168	14" Ride Height (Bolt-On 9/16" Dia. Holes)	1	—
	A1-3152-X-1168	15" Ride Height (Bolt-On 9/16" Dia. Holes)	1	—
	A2-3152-X-1168	16" Ride Height (Bolt-On 9/16" Dia. Holes)	1	—
	A3-3152-X-1168	17" Ride Height (Bolt-On 9/16" Dia. Holes)	1	—
	A-3152-J-1154	14" Ride Height (Bolt-On 11/16" Dia. Holes)	1	—
	A1-3152-J-1154	15" Ride Height (Bolt-On 11/16" Dia. Holes)	1	—
	A2-3152-J-1154	16" Ride Height (Bolt-On 11/16" Dia. Holes)	1	—
A3-3152-J-1154	17" Ride Height (Bolt-On 11/16" Dia. Holes)	1	—	
14	A7806Z1014	Valve Assemblies With Auto Dump	1	1-325
	A7806Y1013	Valve Assemblies Without Auto Dump	1	1-325
15	M306538	Linkage Assembly	1	1-325

1

MERITOR RFS25T TRAILER SUSPENSION

RFS25T Model



1

MERITOR RFS25T TRAILER SUSPENSION PARTS

KEY NO.	MERITOR NO.	DESCRIPTION	QTY. PER TANDEM	PAGE NO.
1	FS6258	Air Spring	2	—
	21227892			
2	—	Air Spring Pedestal (Std. Ride Heights)		—
	21227629	14" Ride Height	2	—
	21227667	15" Ride Height	2	—
	21227668	16" Ride Height	2	—
	21227630	17" Ride Height	2	—
	3305-M-1651	14" Ride Height (Bolt-On 9/16" Dia. Holes)	2	—
	A-3150-V-2674	15" Ride Height (Bolt-On 9/16" Dia. Holes)	2	—
	A-3150-W-2675	16" Ride Height (Bolt-On 9/16" Dia. Holes)	2	—
A-3150-X-2676	17" Ride Height (Bolt-On 9/16" Dia. Holes)	2	—	
3	87015	Shock Absorber Kit	2	3-12
	KIT11210			—
4	21226276	Eccentric Alignment Collar	2	—
5	21226275	Concentric Alignment Collar	2	—
6	21226663	Wear Washer	4	—
7	KIT11205	Pivot Bolt and Bushing Kit	2	1-324
8	KIT11204	Pivot Bolt Kit	2	1-324
9	KIT11200	Shock Absorber Bolt Kit	2	1-324
10	KIT11203	Air Spring Bolt Kit	2	1-324
11	—	Trailing Arm/Axle Subassembly	1	—
12	—	Roadside Hanger (Standard Models)		—
	A-3152-T-1164	14" Ride Height (Weld-On)	1	—
	A1-3152-T-1164	15" Ride Height (Weld-On)	1	—
	A2-3152-T-1164	16" Ride Height (Weld-On)	1	—
	A3-3152-T-1164	17" Ride Height (Weld-On)	1	—
	A-3152-V-1166	14" Ride Height (Bolt-On 9/16" Dia. Holes)	1	—
	A1-3152-V-1166	15" Ride Height (Bolt-On 9/16" Dia. Holes)	1	—
	A2-3152-V-1166	16" Ride Height (Bolt-On 9/16" Dia. Holes)	1	—
	A3-3152-V-1166	17" Ride Height (Bolt-On 9/16" Dia. Holes)	1	—
	A-3152-R-1162	14" Ride Height (Bolt-On 11/16" Dia. Holes)	1	—
	A1-3152-R-1162	15" Ride Height (Bolt-On 11/16" Dia. Holes)	1	—
	A2-3152-R-1162	16" Ride Height (Bolt-On 11/16" Dia. Holes)	1	—
A3-3152-R-1162	17" Ride Height (Bolt-On 11/16" Dia. Holes)	1	—	
13	—	Curbside Hanger (Standard Models)		—
	A-3152-U-1165	14" Ride Height (Weld-On)	1	—
	A1-3152-U-1165	15" Ride Height (Weld-On)	1	—
	A2-3152-U-1165	16" Ride Height (Weld-On)	1	—
	A3-3152-U-1165	17" Ride Height (Weld-On)	1	—
	A-3152-W-1167	14" Ride Height (Bolt-On 9/16" Dia. Holes)	1	—
	A1-3152-W-1167	15" Ride Height (Bolt-On 9/16" Dia. Holes)	1	—
	A2-3152-W-1167	16" Ride Height (Bolt-On 9/16" Dia. Holes)	1	—
	A3-3152-W-1167	17" Ride Height (Bolt-On 9/16" Dia. Holes)	1	—
	A-3152-S-1163	14" Ride Height (Bolt-On 11/16" Dia. Holes)	1	—
	A1-3152-S-1163	15" Ride Height (Bolt-On 11/16" Dia. Holes)	1	—
	A2-3152-S-1163	16" Ride Height (Bolt-On 11/16" Dia. Holes)	1	—
A3-3152-S-1163	17" Ride Height (Bolt-On 11/16" Dia. Holes)	1	—	
14	A7806Z1014	Valve Assemblies With Auto Dump	1	1-325
	A7806Y1013	Valve Assemblies Without Auto Dump	1	1-325
15	M306538	Linkage Assembly	1	1-325

1

MERITOR MPA & RHP TRAILER SUSPENSION PARTS

LOWER CONTROL ARM BUSHING With Inner Metal Tube



MERITOR NO.	QTY.	DESCRIPTION
M302502	2 1	Bushings Inner Sleeve

LOWER CONTROL ARM BOLT & BUSHING KIT



MERITOR NO.	ITEM	QTY.	MERITOR NO.	DESCRIPTION
KIT11102	1	1	R3011764	Bolt
	2	2	M301530	Hardened Flat Washer
	3	1	M301551	Shear Nut
	4	2	M302502	Control Arm Bushing
	5	1	M302502	Inner Sleeve

UPPER CONTROL ARM BUSHING INSTALLATION TOOL



MERITOR NO.	GENERAL INFORMATION
A3256H1152	For use on both RHP11 and MPA suspensions.

LOWER CONTROL ARM



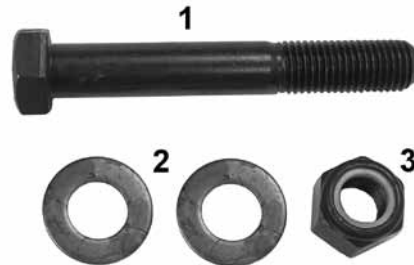
MERITOR NO.	GENERAL INFORMATION
A3133G8249	Rigid with Bushings
A13133C8921	Adjustable with Bushings

BOLT / BUSHING KIT



MERITOR NO.	ITEM	QTY.	DESCRIPTION
KIT11300	1	4	Pivot Bolt - 7/8"-9 x 6" Grade A-490
	2	8	Hardened Flat Washer - 7/8" ID
	3	4	Torque Nut, 7/8"-9, Grade C
	4	8	Trust Washer
	5	4	Bushing
	6	2	Pivot Bolt Washer, 3"OD x 7/8" ID x 1/2" Thick
	7	1	P80 Lube 4 oz.

PIVOT BOLT KIT



MERITOR NO.	ITEM	QTY.	DESCRIPTION
KIT11107	1	1	Capscrew
	2	2	Flat Washer
	3	1	Nut - Torque

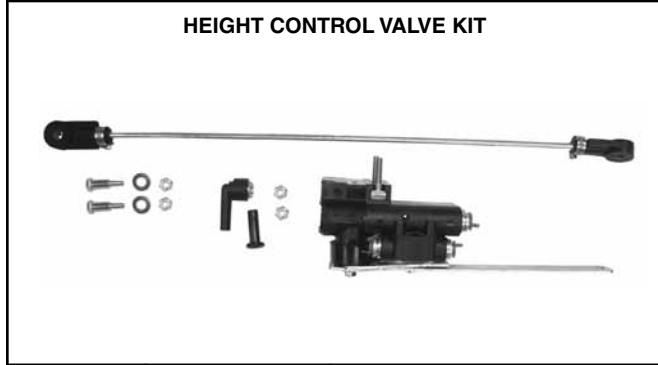
MERITOR MPA & RHP TRAILER SUSPENSION PARTS



MERITOR NO.	ITEM	QTY.	DESCRIPTION
KIT11301	1	4	Capscrew
	2	8	Thrust Washer
	3	1	Washer - Outer
	4	1	Washer - Inner
	5	4	Nut - Torque
	6	8	Flat Washer
	7	4	Bushing-UCA
	8	1	P80 Lube 4 oz.



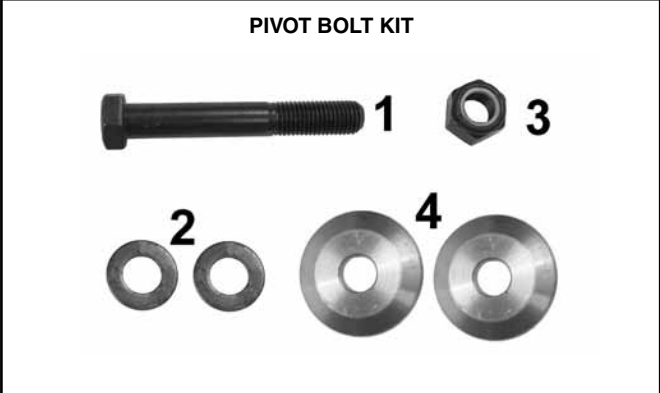
MERITOR NO.	ITEM	QTY.	DESCRIPTION
KIT11304	1	1	Washer - Outer
	2	1	Washer - Inner



MERITOR NO.	REPLACES	GENERAL INFORMATION
KIT11308	Hadley H01500DAS	RHP Only Without Automatic Dump Valve



MERITOR NO.	ITEM	QTY.	DESCRIPTION
KIT11302	1	4	Capscrew
	2	8	Flat Washer
	3	4	Nut - Torque
	4	8	Thrust Washer
	5	2	Align Washer



MERITOR NO.	ITEM	QTY.	DESCRIPTION
KIT11106	1	1	Capscrew
	2	2	Flat Washer
	3	1	Nut - Torque
	4	2	Align Washer



MERITOR NO.	GENERAL INFORMATION
A3256H1152	For RHP and MPA Upper Control Arm Bushing

MERITOR MPA & RHP TRAILER SUSPENSION PARTS

REPAIR COMPONENTS FOR AXLE SEAT

Photo Not Available
At Time of Printing

MERITOR
NO.

GENERAL
INFORMATION

KIT11347

For use with both MPA and RHP
suspensions

REPAIR TOOL KIT For Axle Seat

Photo Not Available
At Time of Printing

MERITOR
NO.

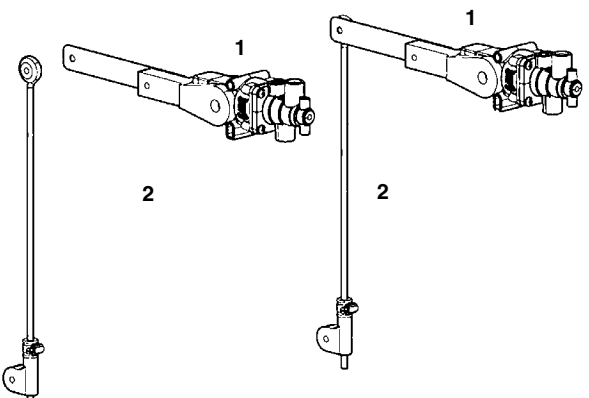
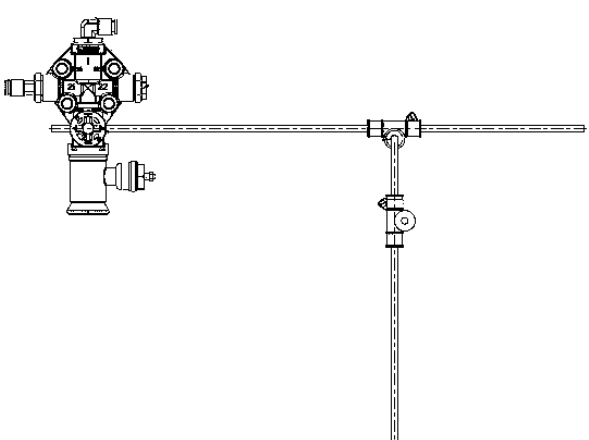
GENERAL
INFORMATION

KIT11348

For use with both MPA and RHP
suspensions

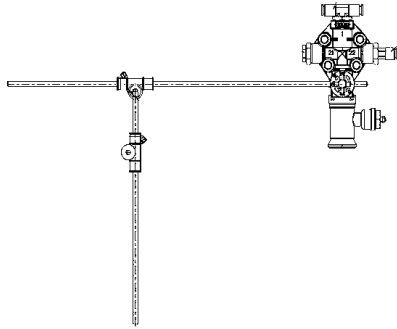
1

MERITOR AIR LINK™ REPAIR KITS AND COMPONENTS

		<p>HADLEY VALVE ASSEMBLY Includes Hardware</p> <p>MERITOR NO. KIT11346</p>	
		<p>ITEM</p>	<p>QTY.</p>
1	2	Valve, Height Control - Hadley 50CC (Hadley - H00500-1)	
2	2	Linkage, Height Control Valve, 7-1/2" Rod Length (Hadley - H00500CD)	
—	2	Bolt GR5 NC 1/4" x 1/2" Black	
—	6	Washer, Flat, 1/4"	
—	2	Nut - NC Nylok 1/4"	
		<p>HALDEX VALVE ASSEMBLY, RIGHT Includes Fittings, Adapter, Rods and Cannon Assembly (Rubber Sliders)</p> <p>MERITOR NO. A7806X1038</p>	
		<p>QTY.</p>	<p>DESCRIPTION</p>
1	Height Control Valve w/ Rod, Haldex (Haldex - 90555322)		
1	Fitting-Elb (3/8" NPT x 1/4")		
1	Fitting, PC, Connector, Straight (1/4" MNPT x 3/8" Tube)		
1	Fitting, Plug, Hex Head (1/4" MNPT)		
1	Adapter		

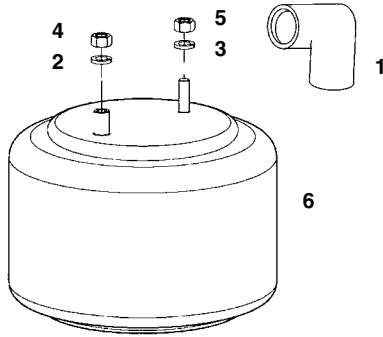
MERITOR AIR LINK™ REPAIR KITS AND COMPONENTS

HALDEX VALVE ASSEMBLY, LEFT
Includes Fittings, Adapter, Rods and Cannon Assembly (Rubber Sliders)



MERITOR NO.	DESCRIPTION
A7806Y1039	Height Control Valve w/ Rod, Haldex (Haldex - 90555322) Fitting-Tee Fitting, Plug, Hex Head (1/4 MNPT) Fitting, PC, Connector, Straight (1/4 MNPT x 3/8 Tube) Adapter

AIR SPRING ASSEMBLY LEFT FRONT OR RIGHT FRONT



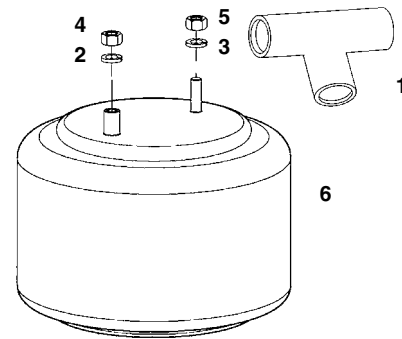
MERITOR NO.	ITEM	QTY.	DESCRIPTION
KIT11343	1	1	Fitting - Elbow
	2	1	Internal Tooth Lock Washer 3/4"
	3	1	Washer Lock 1/2" - Zinc Plating
	4	1	Nut NF 3/4" Jam - Zinc Rich Coating
	5	1	Nut
	6	1	Air Spring

SHOCK KIT ASSEMBLY
For International Models



MERITOR NO.	ITEM	QTY.	DESCRIPTION
KIT11340	1	2	Shock Absorber
	2	2	Flat Washer 1" USS, Black
	3	2	Shock Spacer
	4	2	Shock Tube
	5	2	Nut NC 1"
	6	2	Shock Bolt, 1"
	7	2	Nut NC 1"
	8	2	Shock Bolt, 3/4"

AIR SPRING ASSEMBLY - REAR



** Requires two kits to service a Tandem.

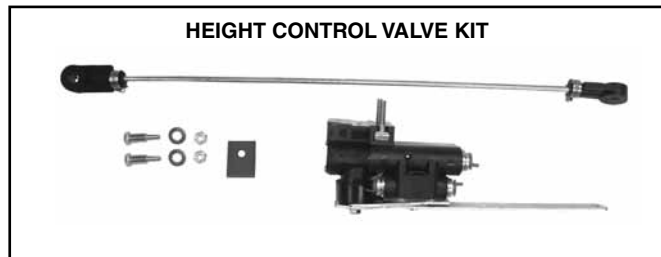
MERITOR NO.	ITEM	QTY.	DESCRIPTION
KIT11345**	1	1	Fitting - Tee
	2	1	Internal Tooth Lock Washer 3/4"
	3	1	Washer Lock 1/2"
	4	1	Nut NF 3/4" Jam - Zinc Rich Coating
	5	1	1/2" C Nut
	6	1	Air Spring

* Only difference between left front vs. right front assembly is the elbow fitting orientation.

MERITOR REPAIR KITS AND COMPONENTS



MERITOR NO.	APPLICATION INFORMATION	COMMENTS
KIT11309	Meritor RHP	Without Automatic Dump Valve. Linkage assembly provided with instructions. Linkage rod is cut to fit various ride heights.



MERITOR NO.	APPLICATION INFORMATION	COMMENTS
KIT11332	RideSentry MPA Only-Height Control Valve Kits with Automatic Dump Valve	With Automatic Dump Valve. Linkage assembly provided with instructions. Linkage rod is cut to fit various ride heights.



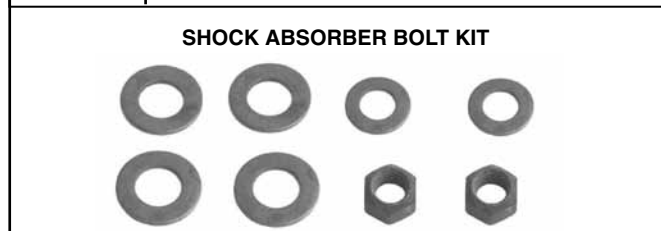
MERITOR NO.	APPLICATION INFORMATION	COMMENTS
KIT11333	Meritor RideSentry MPA Only	Without Automatic Dump Valve. Linkage assembly provided with instructions. Linkage rod is cut to fit various ride heights.



MERITOR NO.	GENERAL INFORMATION
KIT11201 KIT11205	Used on Meritor RFS23T & RFS25T Trailer Suspension



MERITOR NO.	GENERAL INFORMATION
KIT11202 KIT11204	Used on Meritor RFS23T & RFS25T Trailer Suspension



MERITOR NO.	GENERAL INFORMATION
KIT11200	Used on Meritor RFS23T Trailer Suspension






MERITOR NO.	GENERAL INFORMATION
KIT11203	Used on Meritor RFS23T Trailer Suspension

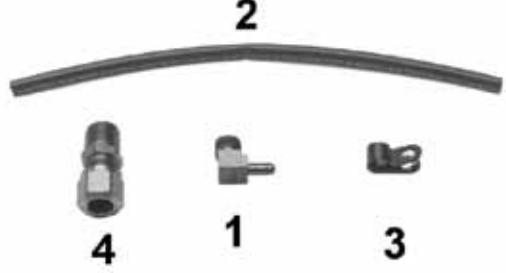
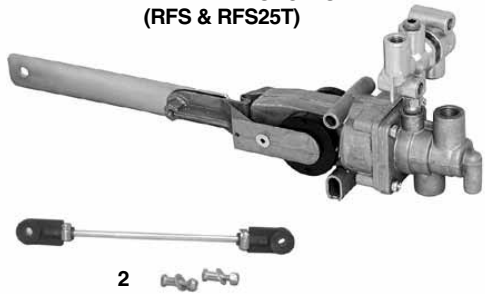



MERITOR NO.	ITEM	QTY.	DESCRIPTION
M306531	1	1	Pilot Valve
	2	1	Fitting

1

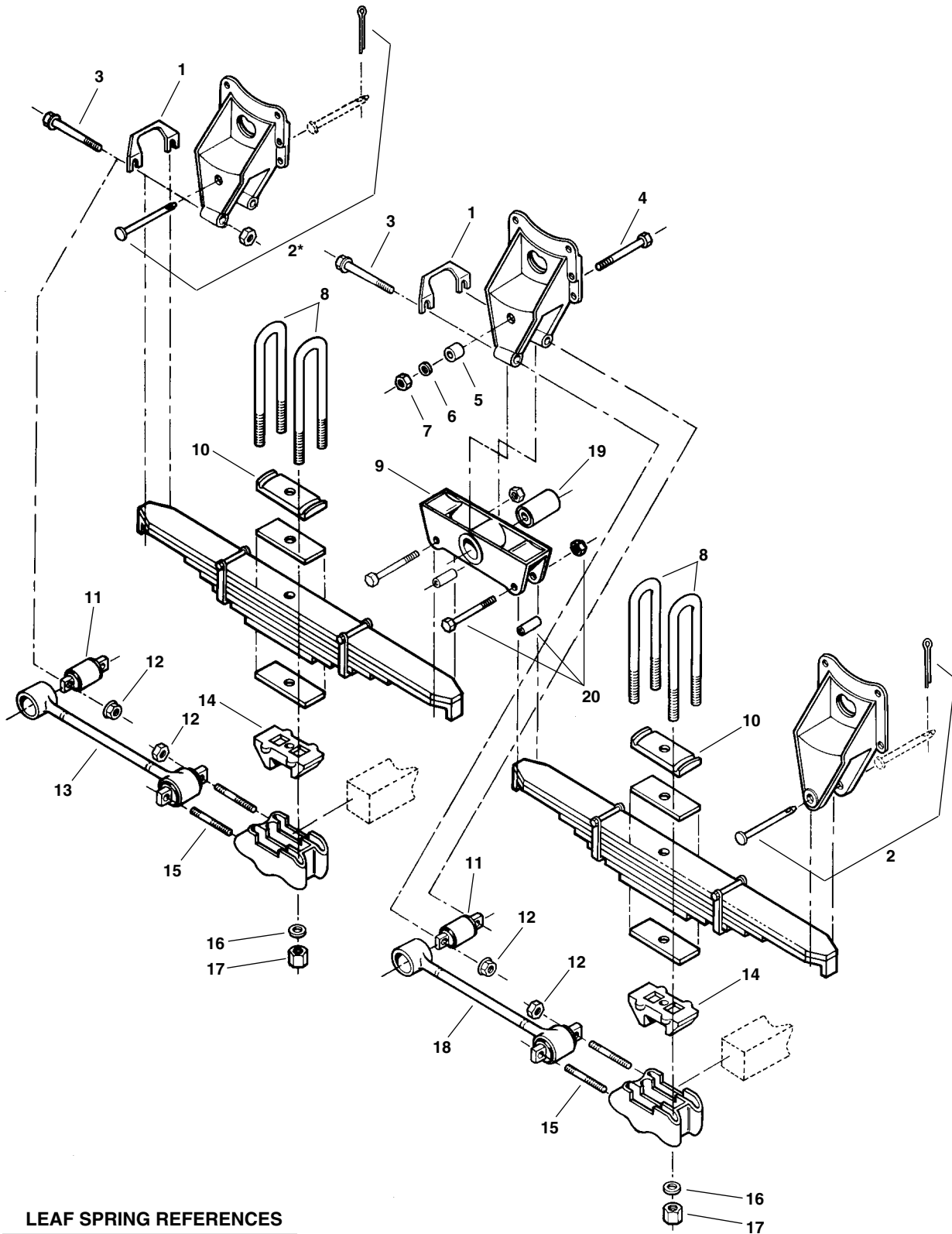
MERITOR REPAIR KITS AND COMPONENTS

HEIGHT CONTROL LINKAGE				
				
MERITOR NO.	GENERAL INFORMATION			
2255D1408	RideSentry MPA Only Height Control Linkage			
VALVE KIT WITHOUT AUTO DUMP (RFS23T & RFS25T)				
				
MERITOR NO.	ITEM	QTY.	MERITOR NO.	DESCRIPTION
KIT11207	1	1	A7806Y1013	Height Control Valve
	2	1	M306538	Linkage Assembly
CONVERSION KIT TO MANUAL DUMP FROM AUTOMATIC DUMP				
				
MERITOR NO.	ITEM	QTY.	DESCRIPTION	
M306533	1	1	Dump (Pilot) Valve	
	2	3	Fitting	
	3	1	Fitting	

CONVERSION KIT TO AUTOMATIC DUMP FROM NO DUMP				
				
MERITOR NO.	ITEM	QTY.	DESCRIPTION	
M306532	1	1	Male Elbow	
	2	1	Vent Tube	
	3	1	Loop Clamp	
	4	1	Fitting	
CONVERSION KIT TO MANUAL DUMP AUTO RESET FROM AUTOMATIC DUMP				
<p>Photo Not Available At Time of Printing</p>				
MERITOR NO.	ITEM	QTY.	DESCRIPTION	
M306537	1	1	Dump Valve	
	2	4	Fitting	
	3	1	Fitting	
VALVE KIT WITH AUTO DUMP (RFS & RFS25T)				
				
MERITOR NO.	ITEM	QTY.	MERITOR NO.	DESCRIPTION
KIT11206	1	1	A7806Z1014	Height Control Valve
	2	1	M306538	Linkage Assembly
BUSHING TOOL				
				
MERITOR NO.	GENERAL INFORMATION			
A3256R1188	For RFS suspensions - Upper Control Arm Bushing			

NAVISTAR "CORPORATE" SPRING SUSPENSION

Tractor



LEAF SPRING REFERENCES

SRI No.	
55-023	7 Leaf
55-021	8 Leaf

* The OEM design calls for the use of a pin and cotter pin assembly, our Aftermarket suggestion is to replace with bolt and locking nut.

NAVISTAR "CORPORATE" SPRING SUSPENSION PARTS

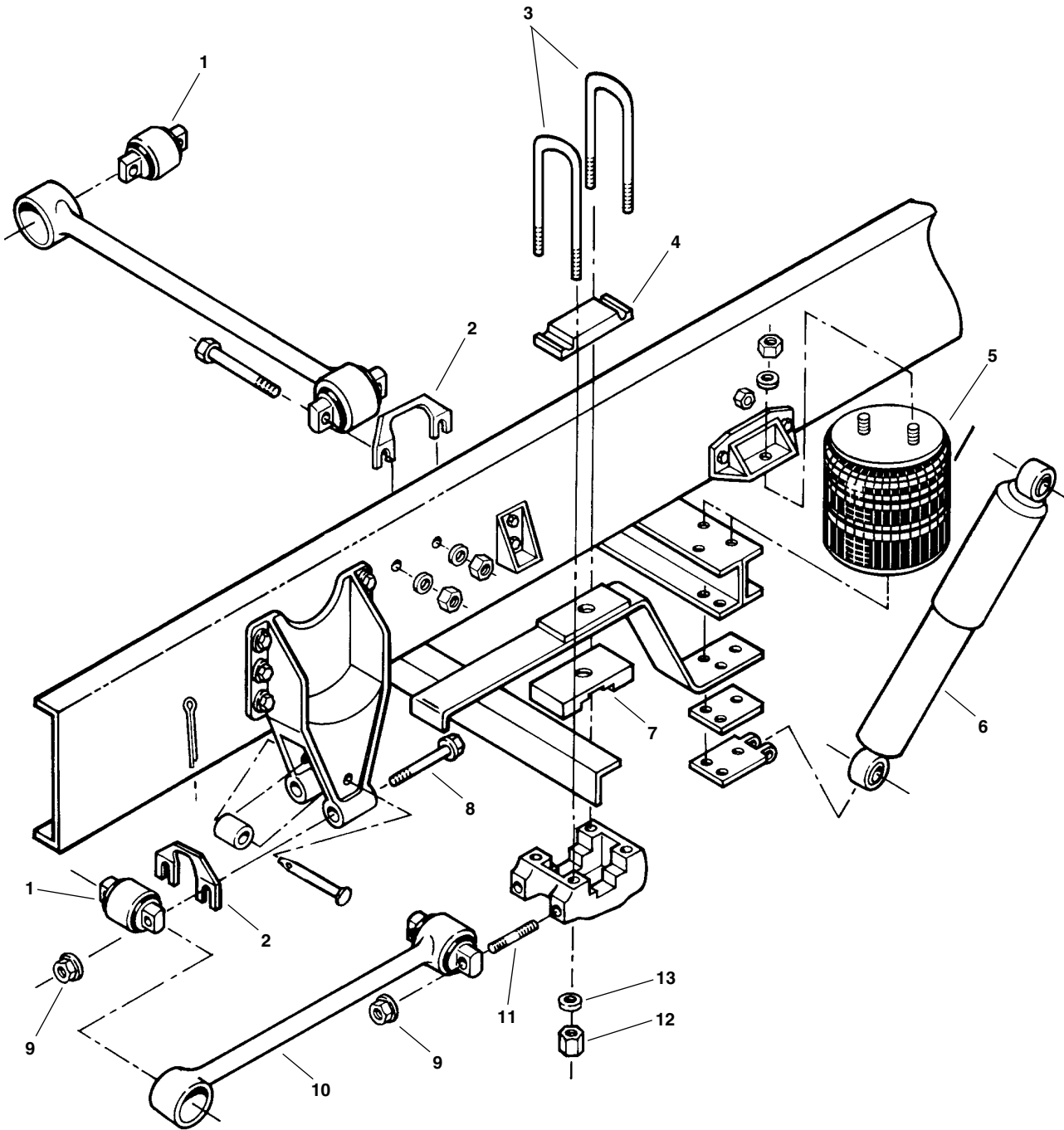
Tractor

KEY NO.	MERITOR NO.	REPLACES NAVISTAR NO.	DESCRIPTION	QUANTITY PER TANDEM	PAGE NO.
1	R303790	488916C91	Torque Arm Shim	As Required	1-331
2	R303794	1841R1 5747786C2	Retainer Pin Assembly	1	1-331
3	R303792	438286C1	Torque Arm Bolt	8	1-331
4	R303785	26015R1	Equalizer Bolt	2	2-33
5	R303786	497785C2	Equalizer Adapter	2	1-330
6	R303975	131048	Lock Washer	4	1-330
7	R304421	25531R1 131556C1	Lock Nut	2	2-34
8	R30U8353-15	590621C1	U-Bolt Assembly, Semi Round, Bend, 3/4"-16 Thd. x 3 1/2" Wide x 15" Long	8	2-29
	R30U8363-15N	1610312C2	U- Bolt Assembly, Semini Round, Bend 7/8"-14 Thd. x 3 1/2" Wide x 15" Long		
9	R303783	497790C2	Equalizer	2	1-330
10	R303796	581744C1	U-Bolt Top Plate	4	1-331
11	R302225 (Rubber)	1693060C1	Torque Arm Bushing	8	1-331
	R307638 (Poly)				
	R302226 (Rubber)	227720			1-331
	R307639 (Poly)				
12	R303793	414089C1	Torque Arm Flange Nut	16	2-34
13	R303788	493920C1, C2	Rigid Torque Arm, 18 1/8" Center-to-Center	2	1-330
	R3010764	588117C91, C92	Tubular Torque Arm, 18 1/8" Center-to-Center	2	—
14	R303797	493478C2	Spring Seat	4	1-331
	R303798	493480C2	Spring Seat	4	1-331
	R303799	1649755C1	Spring Seat	4	1-331
15	N/A	488906C4 488906C6	Torque Arm Stud	8	—
16	R302545	—	Washer	16	2-35
17	R303001	—	Hex Nut, Self-Locking 3/4"-16 UNF	16	2-34
18	R303789	493921C1, C2	Rigid Torque Arm, 21 31/32" Center-to-Center	2	1-330
	R3010765	588118C91, C92	Tubular Torque Arm, 21 31/32" Center-to-Center	2	—
19	R303784	497501C2	Equalizer Bushing	2	1-330
20	R304770	—	Equalizer Roller Assembly	4	1-330

N/A = No Longer Available

NAVISTAR "CORPORATE" AIR RIDE SUSPENSION

Tractor



1

LEAF SPRING REFERENCES

SRI No.
55-067

NAVISTAR "CORPORATE" AIR RIDE SUSPENSION PARTS

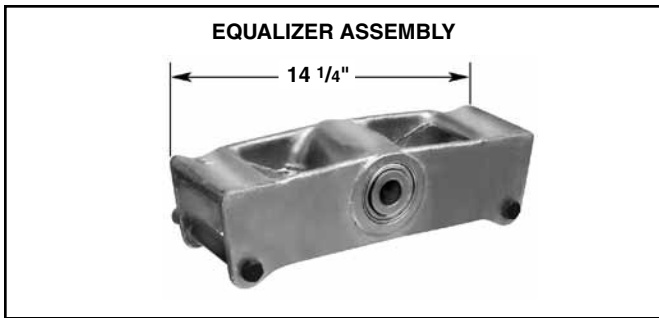
Tractor

KEY NO.	MERITOR NO.	REPLACES NAVISTAR NO.	DESCRIPTION	QUANTITY PER TANDEM	PAGE NO.
1	R302225 (Rubber)	1693060C1	Torque Arm Bushing	8	1-331
	R307638 (Poly)				
	R302226 (Rubber)	227720			1-331
	R307639 (Poly)				
2	R303790	488916C1	Torque Arm Shim	As Required	1-331
		488916C91			
3	R30U8353-15	590621C1	U-Bolt Assembly, Semi Rd. Bend, 3/4"-16 Thd. x 3 1/2" Wide x 15" Long	8	2-29
	R30U8363-15N	590621C1	U-Bolt Assembly, Semi Rd. Bend, 7/8"-14 Thd. x 3 1/2" Wide x 15" Long	8	2-29
4	R303796	488918C1	U-Bolt Top Plate	4	1-331
5	S.O.S.	Various	Air Spring	4	—
6	85003	1675455C1	Fleetline Shock Absorber	4	3-15
	89411	501553C91	GasSLX Shock Absorber		3-15
7	R303797	493478C2	Spring Seat	4	1-331
	R303798	493480C2			1-331
	R303799	1649755C1			1-331
8	R303792	438286C1	Torque Arm Bolt	8	1-331
		43828C1			
9	R303793	414089C1	Torque Arm Flange Nut	16	2-34
10	R303788	493920C1, C2	Rigid Torque Arm, 18 1/8" Center-to-Center	2	2-42
	R3010764	588117C91, 92	Tubular Torque Arm, 18 1/8" Center-to-Center	2	—
11	N/A	488906C4	Torque Arm Stud	8	—
		488906C6			
12	R303001	—	Hi-Nut	16	2-34
13	R302545	—	Washer	16	2-35

N/A = No Longer Available

S.O.S. = Available through Meritor's S.O.S. Department

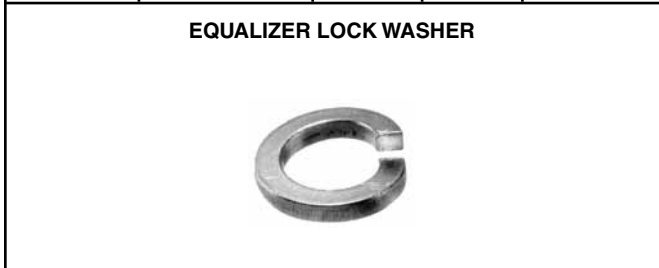
NAVISTAR INTERNATIONAL SUSPENSION PARTS



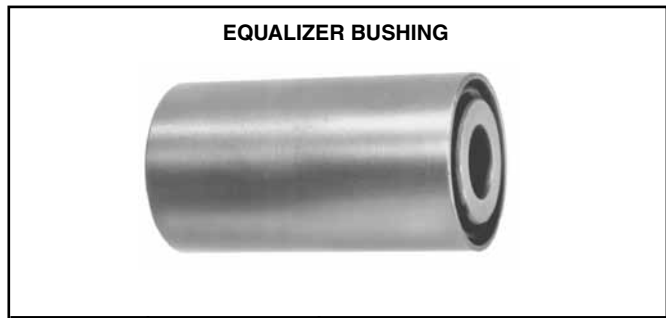
MERITOR NO.	REPLACES	INCLUDES
R303783	Navistar 497790C2	1 R303784 Bushing 2 R304770 Roller Assembly



MERITOR NO.	REPLACES	O.D.	I.D.	THICKNESS
R303786	Navistar 497785C2	1 7/8"	1 1/32"	29/32"



MERITOR NO.	REPLACES	GENERAL INFORMATION
R303975	Navistar 131048	1" I.D.



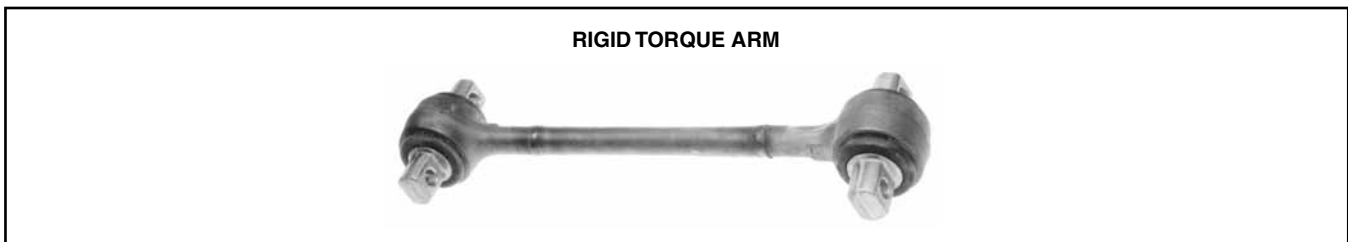
MERITOR NO.	REPLACES	O.D.	I.D.	LENGTH
R303784	Navistar 497501C2	2 1/2"	1 1/32"	4 23/32"



MERITOR NO.	QTY	MERITOR NO.	DESCRIPTION
R303787	1	R303784	Bushing
	1	R303785	Bolt
	1	R303786	Adapter
	1	R304421	Nut
	1	R303975	Lock Washer

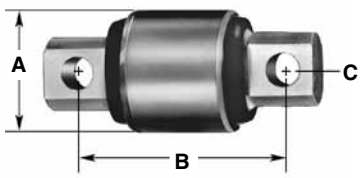









MERITOR NO.	INCLUDES
R304770	Bolt, Roller And Nut




MERITOR NO.	REPLACES	FOR MODEL	MERITOR BUSHING NO.	LENGTH Center-to-Center
R303788	Navistar 493920C1, 923905	Front 4-Spring and Air Ride	R302225	18 1/8"
R303789	Navistar 493921C1, 923915	Rear 4-Spring and Air Ride	R302225	21 31/32"

NAVISTAR INTERNATIONAL SUSPENSION PARTS


TORQUE ARM BUSHING				
				
MERITOR NO.	REPLACES	A	B	C
R302225 (Rubber)	Navistar 1693060C1	2 17/32"	4 3/8"	5/8"
R307638 (Poly)	1693060C1			
R302226 (Rubber)	Navistar	2 3/4"	4 3/8"	5/8"
R307639 (Poly)	1693061C1			
TORQUE ARM BOLT				
				
MERITOR NO.	REPLACES	THREAD	LENGTH	
R303792	Navistar 438286C1	5/8"-18	4 1/2"	
SPRING ROLLER ASSEMBLY				
				
MERITOR NO.	REPLACES	APPLICATION		
R303795	Navistar 574778C2 18481R1 501535C2	Air Ride Suspension		
SPRING SEAT				
				
MERITOR NO.	REPLACES	APPLICATION		
R303797	Navistar 493478C2	For 4 5/8" Axle		
R303798	Navistar 493480C2	For 4 5/16" Axle		

TORQUE ARM SHIM		
		
MERITOR NO.	REPLACES	GENERAL INFORMATION
R303790	Navistar 488916C91	1/16" Thick
RETAINER PIN ASSEMBLY		
		
MERITOR NO.	REPLACES	INCLUDES
R303794	Navistar 1841R1 5747786C2	4 - Bolts, 5/8" x 4 7/8" Long 4 - Lock nuts
U-BOLT TOP PLATE		
		
MERITOR NO.	REPLACES	APPLICATION
R303796	Navistar 581744C1	4-Spring and Air Ride Suspension
SPRING SEAT		
		
MERITOR NO.	REPLACES	APPLICATION
R303799	Navistar 1649755C1	4-Spring and Air Ride Suspension

NAVISTAR INTERNATIONAL SPRING HANGERS FOR HENDRICKSON SUSPENSIONS

FRONT HANGER	MERITOR NO.	REPLACES	SPRING PIN DIAMETER	APPLICATION
 <p>SPRING PIN DIA.</p>	R303599	Navistar 423450C1	1 3/8"	For Single Frame With No Reinforcement

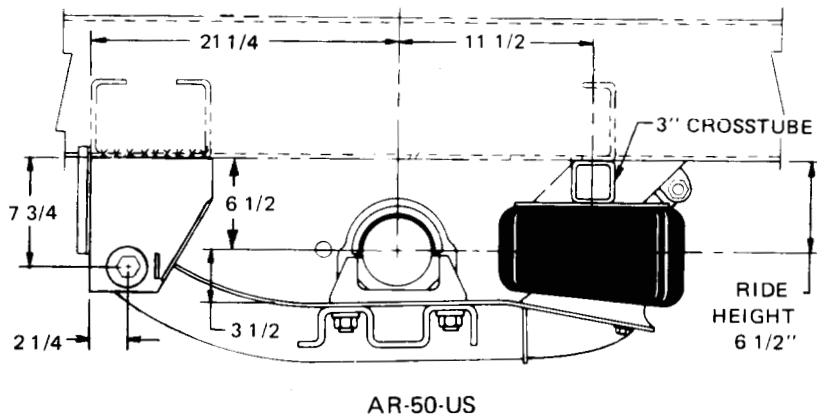
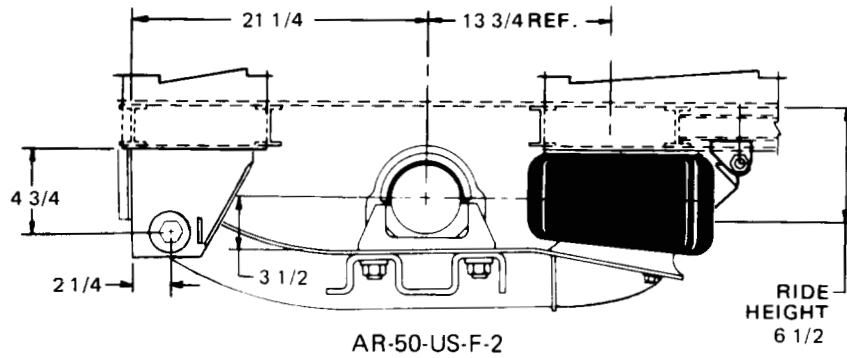
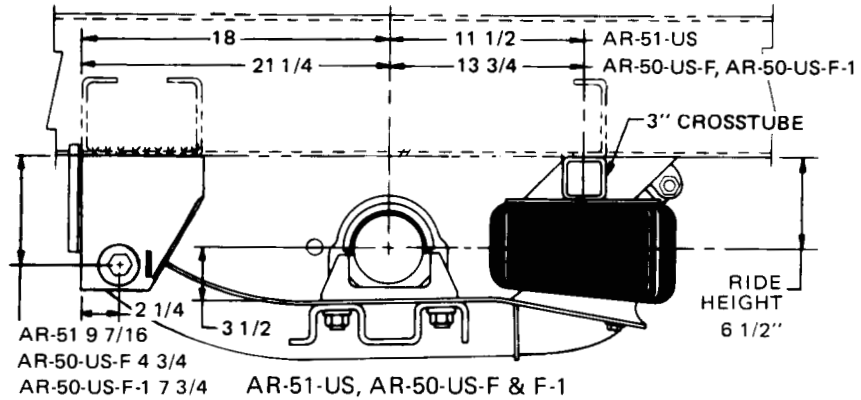
1

REAR HANGER	MERITOR NO.	REPLACES	APPLICATION
	R303604	Navistar 422484C1 Hendrickson 35400-2	For Single Frame with No Reinforcement
	R303605	Navistar 422483C1 Hendrickson 35400-1	For Frame with 1/4" Thick Angle Reinforcement
	R303606	Navistar 422485C1 Hendrickson 35400-3	For "Double" Frame with 5/16" Channel Reinforcement

NEWAY MODEL IDENTIFICATION

AR-50-US & AR-51-US SERIES

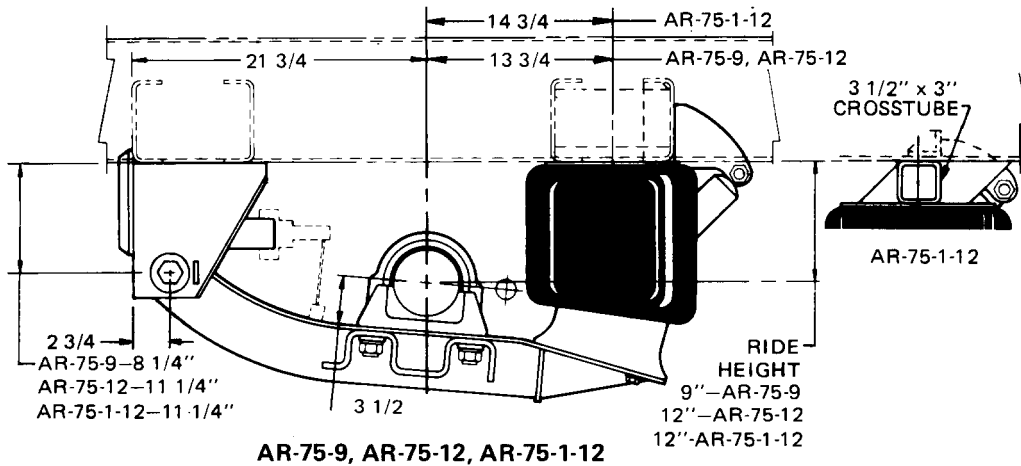
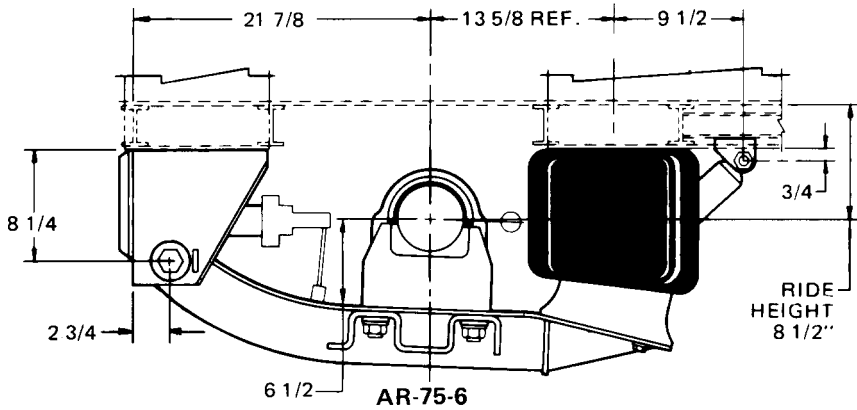
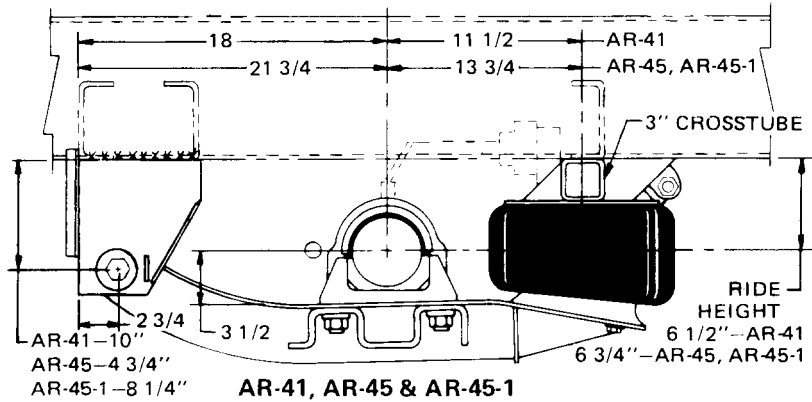
The basic differences in the models are the frame brackets and equalizing beam. To identify the correct model, refer to the views and dimensions below.



NEWAY MODEL IDENTIFICATION

AR-41, AR-45 & AR-75 SERIES

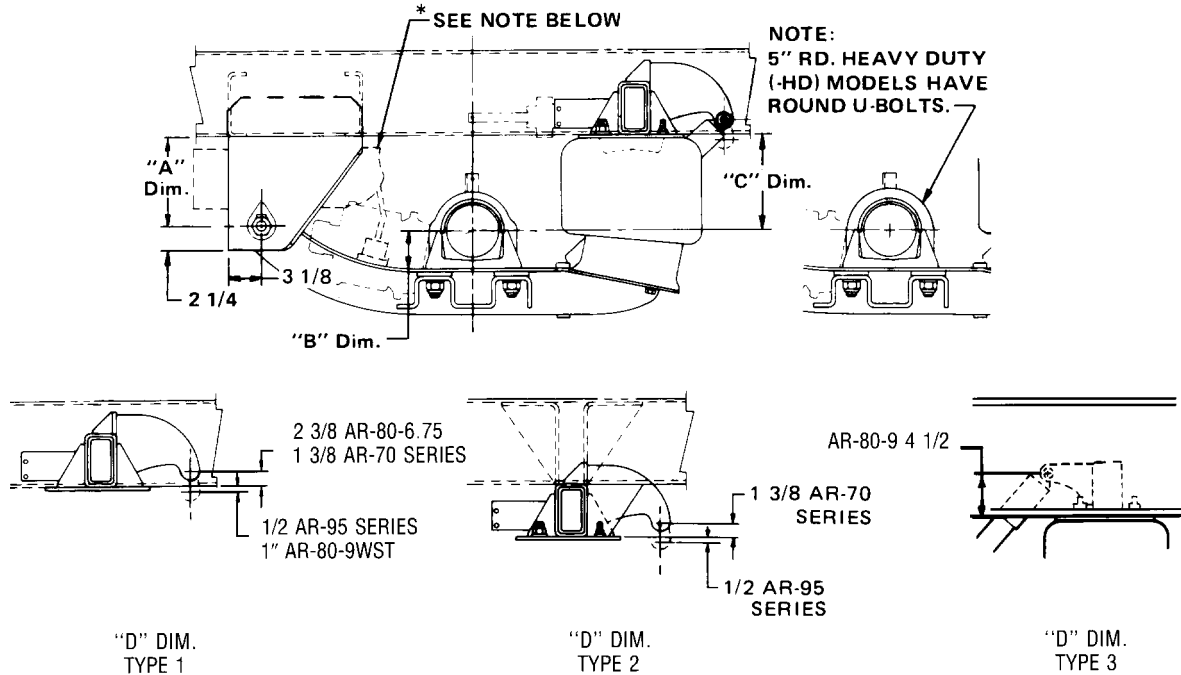
The basic differences in the models are the frame brackets, equalizing beam, beam seats and air springs. To identify the correct model, refer to the views and dimensions below.



NEWAY MODEL IDENTIFICATION

AR-70, AR-80, AR-95 & AR-955 SERIES

The basic differences in the models are the frame brackets, equalizing beam, beam seats and air springs. To identify the correct model, refer to the views and dimensions below.

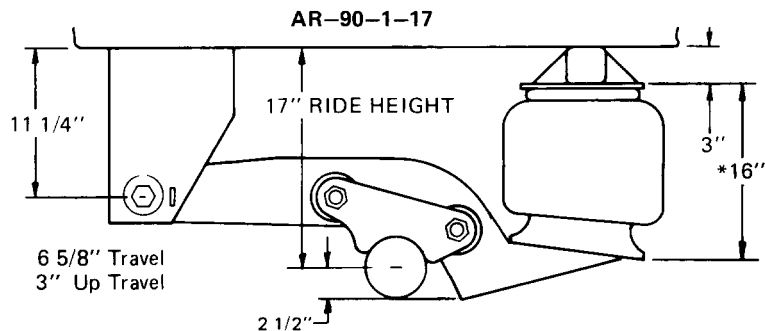
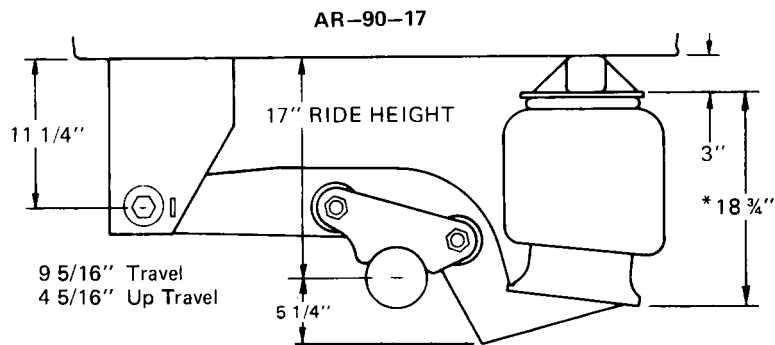
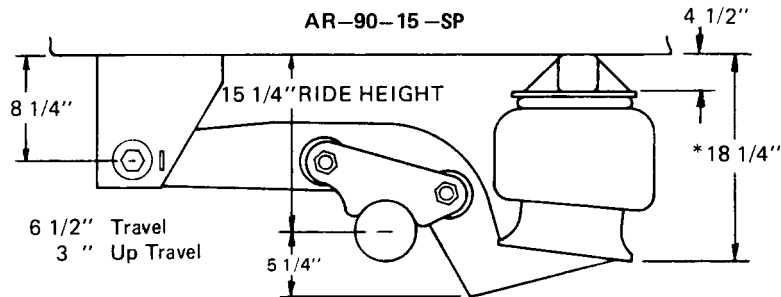
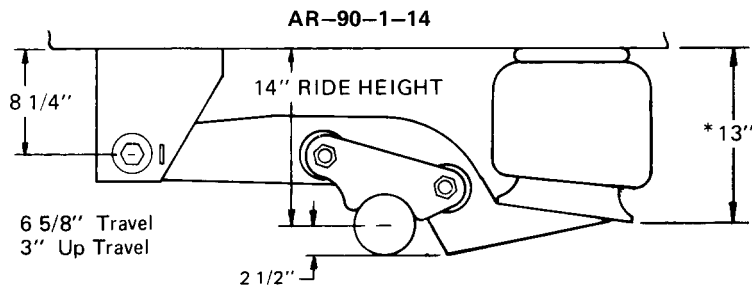
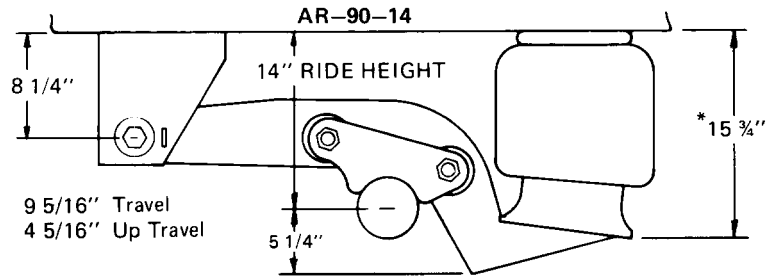


MODEL	"A" DIMENSION	"B" DIMENSION	"C" DIMENSION	"D" DIMENSION
AR-70-9	8 1/2"	3 1/2"	9"	Type 1 1 3/8"
AR-70-14	13 1/2"	3 1/2"	14"	Type 2 1 3/8"
AR-80-6.75	6 3/4"	3 1/2"	6 3/4"	Type 1 2 3/8"
AR-80-9	8 1/4"	3 1/2"	9"	Type 3 4 1/2"
AR-80-9WST	8 1/4"	3 1/2"	9"	Type 1 1"
AR-95-9	11 1/2"	6 1/2"	9"	Type 1 1/2"
* AR-955-9	11 1/2"	6 1/2"	9"	Type 1 1/2"
* AR-95-9-HD	11 1/2"	6 1/2"	9"	Type 1 1/2"
* AR-955-9-HD	11 1/2"	6 1/2"	9"	Type 1 1/2"
AR-95-12	11 1/2"	3 1/2"	12"	Type 1 1/2"
* AR-955-12	11 1/2"	3 1/2"	12"	Type 1 1/2"
AR-95-12-HD	11 1/2"	3 1/2"	12"	Type 1 1/2"
* AR-955-12-HD	11 1/2"	3 1/2"	12"	Type 1 1/2"
AR-95-14	16 1/2"	6 1/2"	14"	Type 2 1/2"
* AR-955-14	16 1/2"	6 1/2"	14"	Type 2 1/2"
AR-95-14-HD	16 1/2"	6 1/2"	14"	Type 2 1/2"
* AR-955-14-HD	16 1/2"	6 1/2"	14"	Type 2 1/2"
AR-95-17	16 1/2"	3 1/2"	17"	Type 2 1/2"
* AR-955-17	16 1/2"	3 1/2"	17"	Type 2 1/2"
AR-95-17-HD	16 1/2"	3 1/2"	17"	Type 2 1/2"
* AR-955-17-HD	16 1/2"	3 1/2"	17"	Type 2 1/2"

*Indicates Coil Spring Lift

NEWAY MODEL IDENTIFICATION

AR-90 SERIES

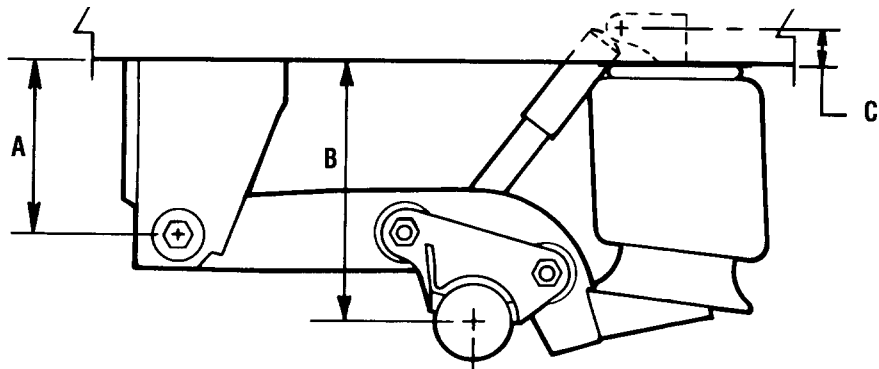


*Reference dimension of proper ride height

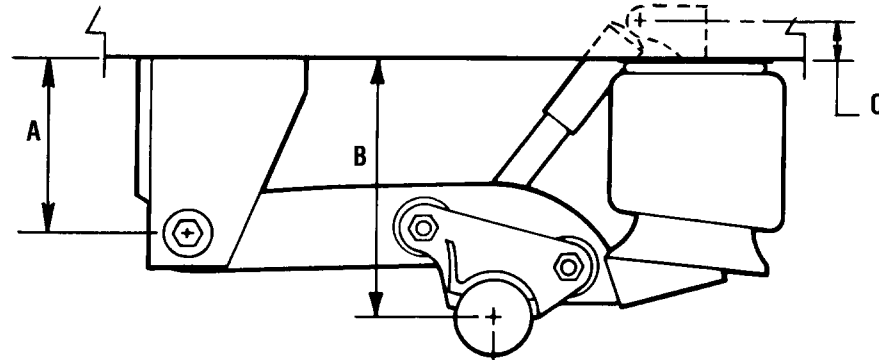
NEWAY MODEL IDENTIFICATION

AR-92, AR-93 & AR-196 SERIES

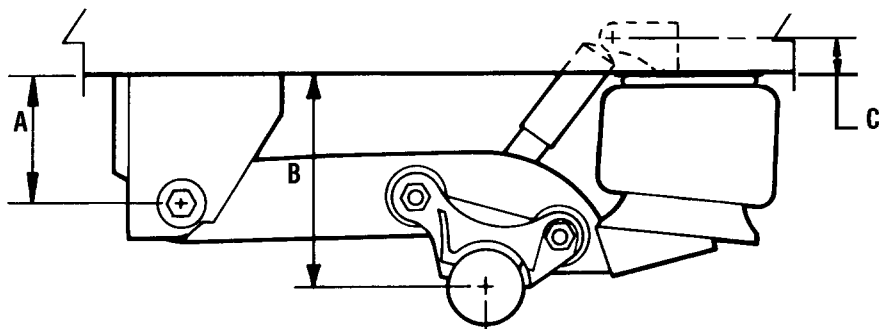
AR-92 Series



AR-93 Series



RL-196 Series



MODEL	"A"	"B"	"C"	FULL TRAVEL	UP TRAVEL
AR-92-12	5 1/4"	12"	2 1/4"	8"	3"
AR-92-14	7 1/4"	14"	2 1/4"	8"	4"
AR-92-15	8 1/4"	15"	2 1/4"	8"	4"
AR-92-16	10 3/4"	16"	2 1/4"	8"	4"
AR-92-17	10 3/4"	17"	2 1/4"	8"	4"
AR-92-18	12 1/2"	18"	2 1/4"	8 3/8"	4 3/8"
AR-93-14	7 1/4"	14"	2 1/4"	8"	3"
AR-93-15	8 1/4"	15"	2 1/4"	8 1/4"	3"
AR-93-16	10 3/4"	16"	2 1/4"	8"	3"
AR-93-17	10 3/4"	17"	2 1/4"	8 1/4"	3"
RL-196-12	5 1/4"	12"	2 1/4"	7"	3"
RL-196-14	7 1/4"	14"	2 1/4"	7"	3"
RL-196-15	8 1/2"	15"	2 1/4"	6"	3"
RL-196-16	10 1/2"	16"	2 1/4"	7"	3"
RL-196-17	10 1/2"	17"	2 1/4"	8"	3"

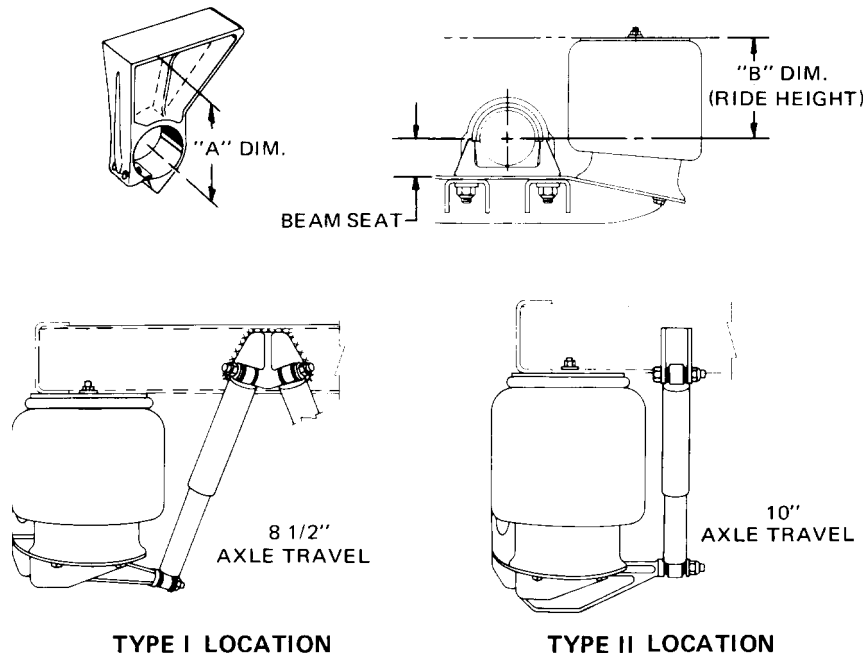
NEWAY MODEL IDENTIFICATION

AR-120/125 TOPMOUNT AND AR-120/125-US UNDERSLUNG SERIES

The basic differences in the AR-1 models are the frame bracket, equalizing beam, shock absorbers, beam seats (underslung models only) and air springs. To identify the models, refer to the views below.

MODEL	"A" DIMENSION	"B" DIMENSION	SHOCK ABSORBER	BEAM SEAT	*AXLE CAP.	AXLE TRAVEL
AR-120	8 3/8"	14"	Type I		20,000 lbs.	8 1/2"
AR-125	8 3/8"	14"	Type I		25,000 lbs.	8 1/2"
AR-120-L	11 3/8"	17"	Type II		20,000 lbs.	10"
AR-125-L	11 3/8"	17"	Type II		25,000 lbs.	10"
AR-120-US	8 3/8"	9"	Type I	3 1/2"	20,000 lbs.	8 1/2"
AR-125-US	8 3/8"	9"	Type I	3 1/2"	25,000 lbs.	8 1/2"
AR-120-US-L-1	11 3/8"	9"	Type II	6 1/2"	20,000 lbs.	10"
AR-120-US-L-2	11 3/8"	10 1/2"	Type II	5 1/4"	20,000 lbs.	10"
AR-120-US-L-3	11 3/8"	12"	Type II	3 1/2"	20,000 lbs.	10"
AR-125-US-L-1	11 3/8"	9"	Type II	6 1/2"	25,000 lbs.	10"
AR-125-US-L-2	11 3/8"	10 1/2"	Type II	5 1/4"	25,000 lbs.	10"
AR-125-US-L-3	11 3/8"	12"	Type II	3 1/2"	25,000 lbs.	10"
AR-120-US-F	8 3/8"	9"	Type I	3 1/2"	20,000 lbs.	7 3/4"
AR-125-US-F	8 3/8"	9"	Type I	3 1/2"	25,000 lbs.	7 3/4"
AR-165-US	7 3/8"	*7 1/8"	Type I	6 1/2"	20,000 lbs.	7 1/8"

* May vary slightly with trailer manufacturer's frame design.

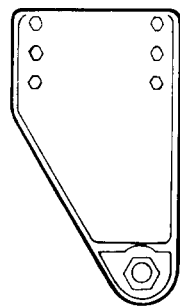


NEWAY MODEL IDENTIFICATION

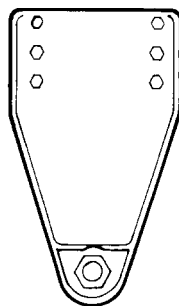
ARD SERIES

The basic differences in the ARD (Air Ride Drive Axle) models are in the frame brackets, equalizing beam, shock absorbers and transverse beams. To identify models, refer to the views below.

MODEL	FRAME BRACKET	"A"	SHOCK ABSORBER	TRANSVERSE BEAM
ARD-125-6	Type I	5 1/2"	Type II	Type I
ARD-125-8	Type I	5 1/2"	Type I	Type I
ARD-244-6	Type I	5 1/2"	Type II	Type I
ARD-244-8	Type I	5 1/2"	Type I	Type I
ARD-234	Type II	5 1/2"	Type II	Type I
ARD-238	Type II	5 1/2"	Type II	Type II

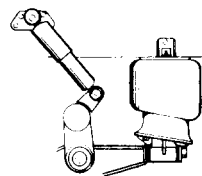
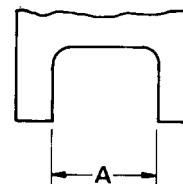


TYPE I

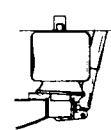


TYPE II

FRAME BRACKETS

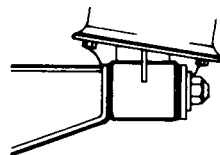


TYPE I

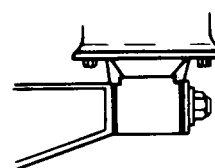


TYPE II

SHOCK ABSORBERS



TYPE I

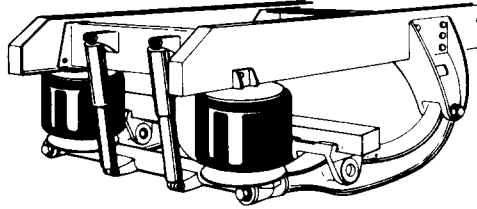


TYPE II

TRANSVERSE BEAMS

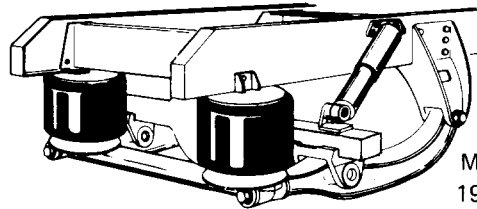
NEWAY MODEL IDENTIFICATION

ARD SERIES



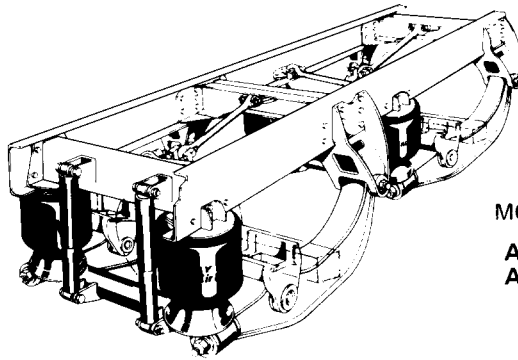
MODEL YEARS
1970 – Present

ARD-125-6 Single (Shown)
ARD-244-6 Tandem



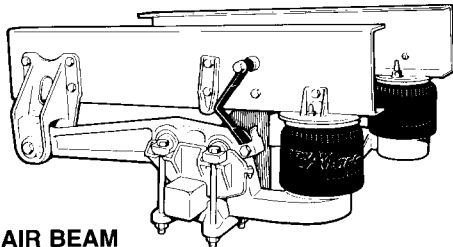
MODEL YEARS
1970 – Present

ARD-125-8 Single (Shown)
ARD-244-8 Tandem

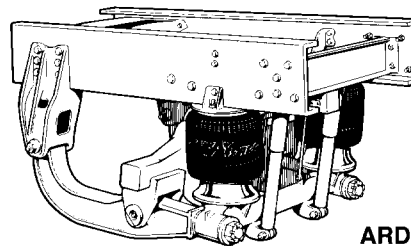


ARD-234-6 Tandem
MODEL YEARS 1978— Present

ARD-120-6 Single
ARD-238-6 Tandem (Shown)
MODEL YEARS
1984 – Present



AIR BEAM
ARDAB-120 & 240-5



ARDST-123 & 246-6

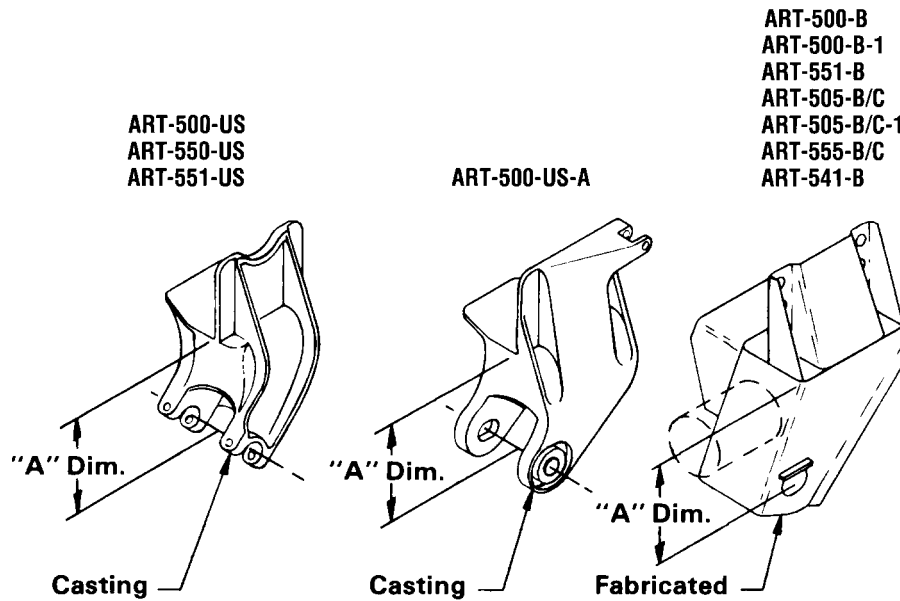
NEWAY MODEL IDENTIFICATION

ART-500-US SERIES & AR-80-9FM

To determine your "ART" model when ordering replacement parts or for service information, compare the frame brackets on the unit to those shown below.

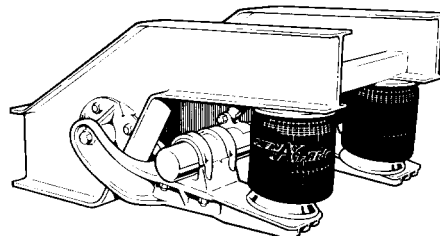
The basic ART-500 Series has a total axle travel of 8 1/2". The basic ART-550 and ART-551 Series have 10" of axle travel.

Note the frame to centerline of pivot dimensions on the various models. The shock absorbers and air springs are different for each model.



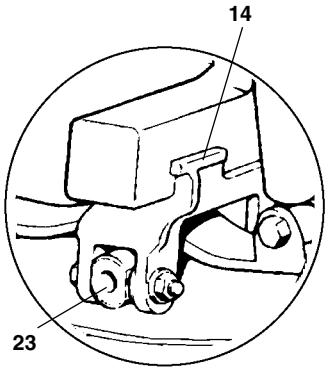
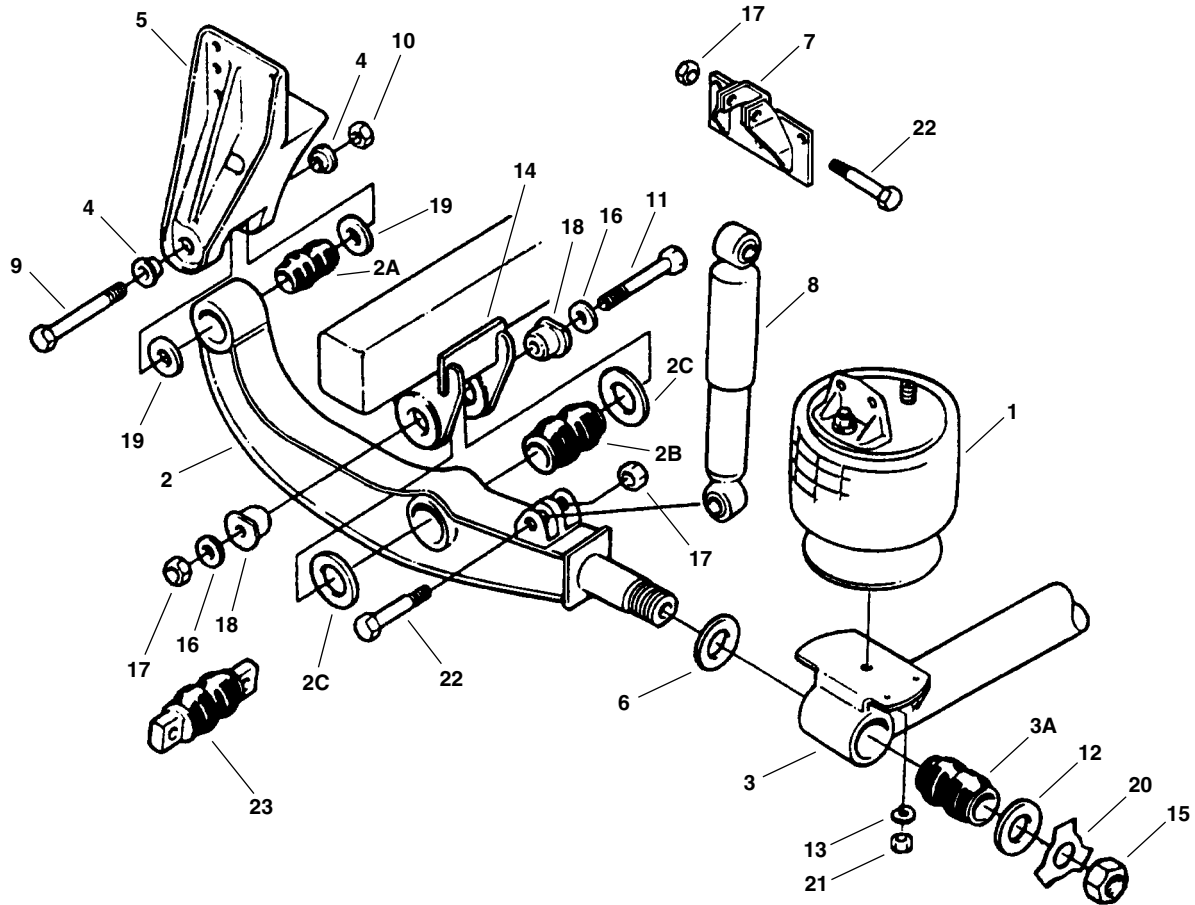
	"A" Dim.
ART-500	8 3/8"
ART-550	11 1/2"
ART-551	11 1/2"
ART-500-A	8 1/2"
ART-500-B	8 1/2"
ART-500-B-1	8 1/2"
ART-551-B	11 1/2"
ART-505-B/C	8 1/2"
ART-505-B/C-1	8 1/2"
ART-555-B/C	11 1/2"
ART-541-B	11 1/2"

AR-80-9FM



NEWAY SUSPENSION

AD-123/246 -6.5, -8.75, -10 Series
Tractor



Optional Bar Pin Style
Beam Center Bushing

1

NEWAY SUSPENSION PARTS

AD-123/246 -6.5, -8.75, -10 Series

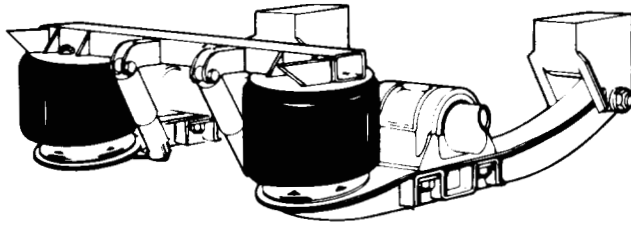
Tractor

KEY NO.	MERITOR NO.	REPLACES NEWAY NO.	DESCRIPTION	QTY. PER AXLE	AD-123/246			PAGE NO.
					6.5	8.75	10	
1	FS9471	905 57 146	Air Spring Assembly, Includes Mounting Bracket	2		X		—
	FS9472	905 57 147			X	X		—
2	S.O.S.	905 16 531	Equalizing Beam Assembly	2	X	X	X	—
2A	R309292	900 08 151	Beam Bushing	2	X	X	X	2-51
2B	R304253 (Rubber)	900 08 008	Beam Center Bushing	2	X	X	X	2-50
	R308681 (Poly)							
2C	R304315	900 01 065	Beam Adapter	4	X	X	X	2-35
3	S.O.S.	905 45 220	Transverse Beam Assembly	1	X	X	X	—
3A	R304252	900 08 006	Transverse Beam Bushing	2	X	X	X	2-50
4	R304267	900 08 120	Alignment Block	4	X	X	X	1-472
5	S.O.S.	Various	Frame Bracket, Left Hand	1	X	X	X	—
	S.O.S.	Various	Frame Bracket, Right Hand	1	X	X	X	—
6	S.O.S.	936 00 498	Washer	2	X	X	X	—
7	S.O.S.	905 20 520	Shock Absorber Mounting Bracket, Left Hand	1	X	X	X	—
	S.O.S.	905 20 521	Shock Absorber, Mounting Bracket, Right Hand	1	X	X	X	—
8	85906	900 45 099	Fleetline Shock Absorber	2	X	X	X	3-14
	85909	900 45 132	Fleetline Shock Absorber (Optional, 24 1/4" Extended Length)		X	X	X	3-13
9	R304364	932 01 055	Bolt	2	X	X	X	2-32
10	R304358	934 00 506	Lock Nut	2	X	X	X	2-34
11	Part of R302374	930 03 693	Bolt	2	X	X	X	1-471
12	S.O.S.	900 36 006	Spacer Washer	2	X	X	X	—
13	S.O.S.	936 00 072	Lock Washer, 1/2"	2	X	X	X	—
14	S.O.S.	Various	Beam Hanger Bracket	2	X	X	X	—
15	S.O.S.	934 00 607	Hex Nut, 2 1/4" - 8 Thd.	2	X	X	X	—
16	Part of R302374	936 00 156	Plain Washer	4	X	X	X	1-471
17	R304347	934 00 492	Lock Nut, 3/4"-10 Thd.	6	X	X	X	2-34
18	Part of R302374	900 01 002	Adapter Bushing	4	X	X	X	1-471
19	S.O.S.	936 00 502	Spacer Washer	4	X	X	X	—
20	S.O.S.	900 36 184	Tab Washer	2	X	X	X	—
21	S.O.S.	934 00 136	Hex Nut, 1/2"- 13 Thd.	2	X	X	X	—
22	S.O.S.	930 03 615	Cap Screw, 3/4"- 10 Thd. x 5 1/2"	4	X	X	X	—
23	R3010678	900 08 175	Bar Pin Center Beam Bushing	2	X	X	X	—
—	R302374	Various	Beam Bushing Adapter Kit, Includes Key Nos. 11,16,17 & 18	2	X	X	X	1-471

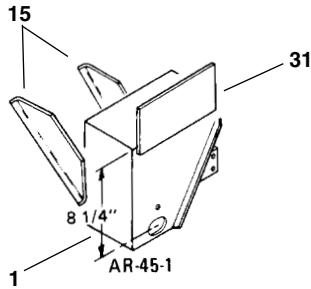
S.O.S. = Available through Meritor's S.O.S. Department

NEWAY SUSPENSION

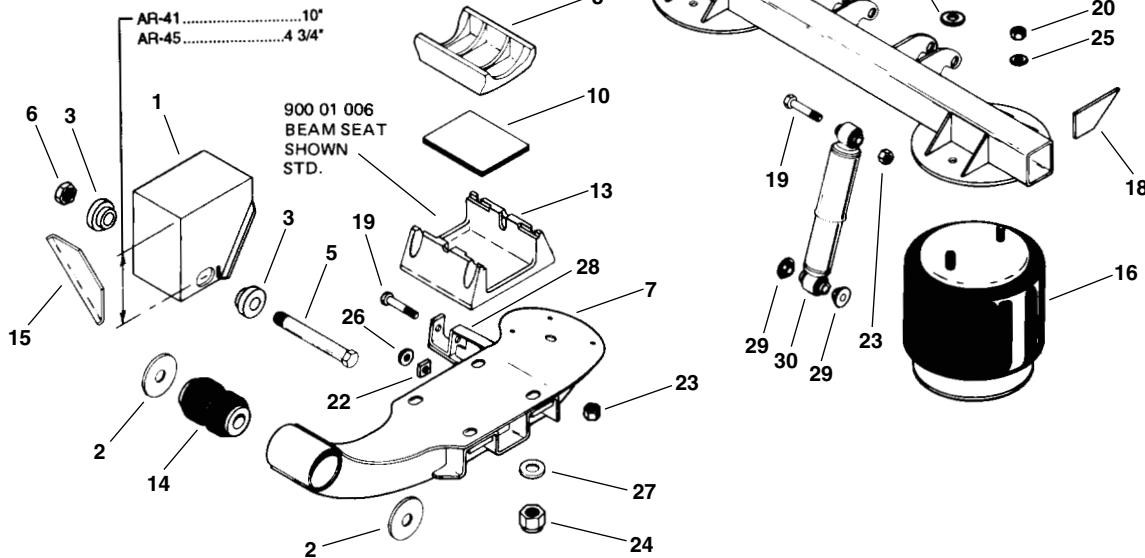
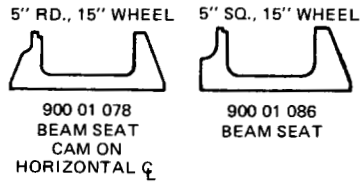
AR-41, AR-45, AR-45-1 Series Trailer



NOTE: For 15" wheel axle connection parts, with cam on horizontal centerline, refer to 15" WHEEL AXLE CONNECTION on last page of this section.



AR-41



NEWAY SUSPENSION PARTS

AR-41, AR-45, AR-45-1 Series Trailer

KEY NO.	MERITOR NO.	REPLACES NEWAY NO.	DESCRIPTION	QTY. PER AXLE	AR-			PAGE NO.
					41	45	45-1	
1	S.O.S.	905 20 189	Adjustable Frame Bracket Assembly, Left Hand	1	X			—
	S.O.S.	915 20 153				X		—
	S.O.S.	905 19 714					X	—
	S.O.S.	905 20 152	Fixed Frame Bracket Assembly, Right Hand	1		X		—
	S.O.S.	905 20 151			X			—
	S.O.S.	905 19 715				X	—	

NEWAY SUSPENSION PARTS

AR-41, AR-45, AR-45-1 Series

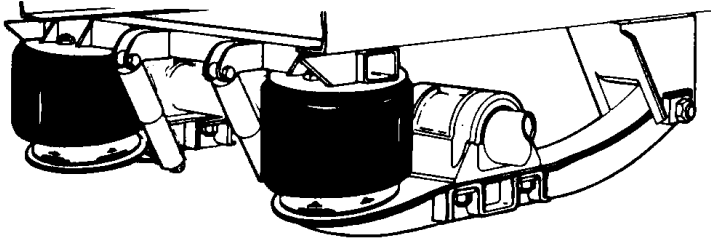
Trailer

KEY NO.	MERITOR NO.	REPLACES NEWAY NO.	DESCRIPTION	QTY. PER AXLE	AR-			PAGE NO.
					41	45	45-1	
2	R304363	900 36 177	Washer	4	X	X	X	2-35
3	R309284	900 08 147	Alignment Block	4	X	X	X	1-472
4	S.O.S.	900 32 561	Upper Shock Mounting Bracket	4	X	X	X	—
5	R304364	932 01 055	Bolt, 1 1/8" - 7" x 9 1/4"	2	X	X	X	2-32
6	R304358	934 00 506	Lock Nut, 1 1/8" - 7 GrC	2	X	X	X	2-34
7	S.O.S.	905 16 054	Equalizing Beam, Left Hand	1	X			—
	S.O.S.	905 15 857			X	X		
	S.O.S.	905 16 055	Equalizing Beam, Right Hand	1	X			—
	S.O.S.	905 15 858			X	X		
8	R304289	900 01 082	Axle Adapter	2	X	X	X	1-466
	R304290	900 01 083			X	X	X	1-467
9	R304282	900 10 032	Axle Cap	2	X	X	X	1-466
	R304283	900 10 022			X	X	X	
10	R302947A (Rubber)	900 28 075	Axle Pad	2	X	X	X	1-452
	R308680 (Poly)				X	X	X	1-452, 2-10
11	R302943 (Rubber)	900 28 047	Wrapper, 5" Round Axle	2	X	X	X	1-451
	R308678 (Poly)							1-451, 2-9
	R304409 (Rubber)							900 28 073
12	R30U8479-090	900 41 878	U-Bolt Assembly, Flat Rd. Bend, 1"- 14 Thd. x 6 5/16" Wide x 9" Long	4	X	X	X	2-30
	R30U8578-124A	900 42 794	U-Bolt Assembly, Flat Sq. Bend, 1"- 14 Thd. x 6 5/16" Wide x 12 1/2" Long					X
13	R304292	900 01 006	Axle Seat	2	X	X	X	1-468
14	R304382A	900 08 139	Bushing	2	X	X	X	1-450
15	S.O.S.	900 23 002	Angle Brace	2	X	X		—
	S.O.S.	900 23 003						4
16A	FS9039	905 57 023	Air Spring Assembly	2	X	X	X	—
16B	FS9307	905 57 129	Air Spring Assembly (Composite Piston)	2	X	X	X	—
17	S.O.S.	905 44 615	Crossmember Assembly	1	X	X		—
	S.O.S.	905 44 573						X
18	S.O.S.	900 31 443	Gusset	2	X	X	X	—
19	R304345	930 03 599	Bolt	4	X	X	X	1-476, 2-33
20	S.O.S.	934 00 136	Hex Nut, 1/2"-13 Thd.	2	X	X	X	—
21	R301107	934 00 149	Hex Nut, 3/4"-16 Thd.	2	X	X	X	2-34
22	S.O.S.	934 00 367	Square Nut, 3/4"-10 Thd.	2	X	X	X	—
23	R304347	934 00 492	Lock Nut, 3/4"-10 Thd.	4	X	X	X	2-34
24	R304421	934 00 502	Lock Nut	8	X	X	X	2-34
25	S.O.S.	936 00 072	Lock Washer, 1/2"	2	X	X	X	—
26	S.O.S.	936 00 077	Lock Washer, 3/4"	4	X	X	X	—
27	R304353	939 00 027	Washer, 1 5/8"	8	X	X	X	2-35
28	R304338	905 19 009	Lower Shock Mounting Bracket	2	X		X	1-476
	S.O.S.	905 19 425						X
29	R304403 (Rubber)	905 08 004	Bushing	8	X	X	X	2-53, 3-2
	R308684 (Poly)							X
30	83128	900 44 162	Fleeline Shock Absorber	2	X	X	X	3-14
31	S.O.S.	900 31 437	Plate	2			X	—
—	R304398A	SRK-145 481 00 202	Pivot Connection Kit Includes Key Nos. 2, 5, 6, 14	1	X	X	X	1-457
—	R302977A	SRK-64 481 00 108	5" Round Axle Connection Kit Includes Key Nos. 10, 11, 12, 24, 27	1	X	X	X	1-453

S.O.S. = Available through Meritor's S.O.S. Department

NEWAY SUSPENSION

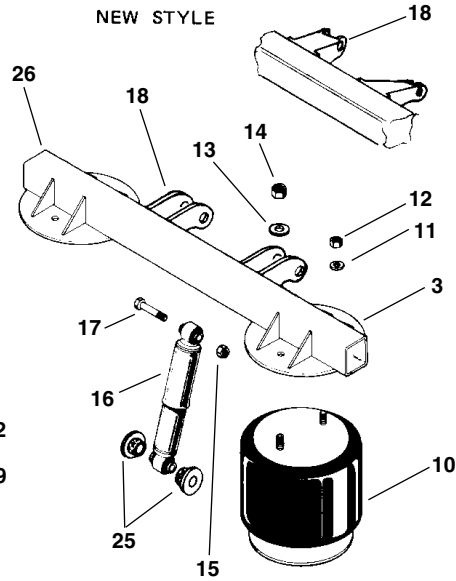
AR-50-US, AR-50-US-F, AR-50-US-F-1, AR-50-US-F-2, AR-51-US Series Trailer



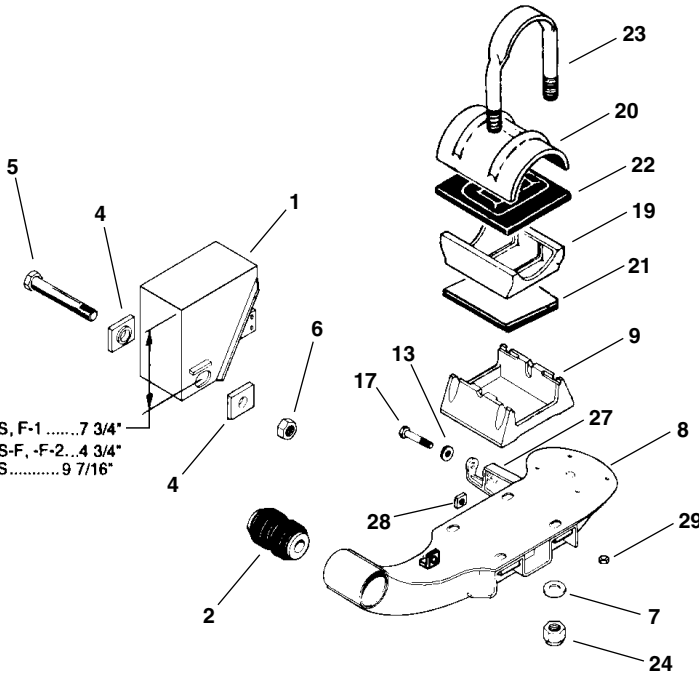
NOTE: Conversion to NEW STYLE Shock Brackets - SRK-109 UP-TO-DATE 151

OLD STYLE

NEW STYLE



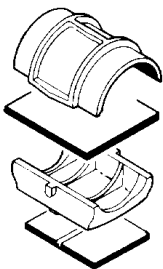
NOTE: For 15" wheel axle connection parts, with cam on horizontal centerline, refer to 15" WHEEL AXLE CONNECTION on last page of this section.



AR-50-US, F-17 3/4"
AR-50-US-F, -F-2...4 3/4"
AR-51-US.....9 7/16"

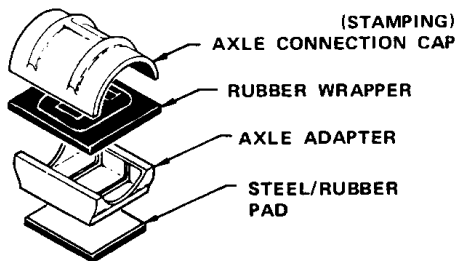
OLD STYLE

5" Rd. (Shown) & 5" Sq.



NEW STYLE

5" Rd. (all parts) & 5" Sq. (axle adapter & pad)



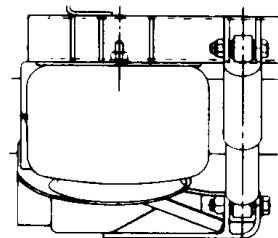
(STAMPING)

AXLE CONNECTION CAP

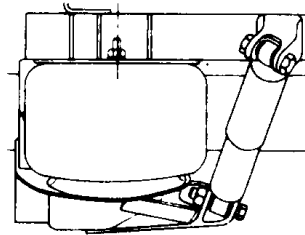
RUBBER WRAPPER

AXLE ADAPTER

STEEL/RUBBER PAD



AR-50-US
NEW STYLE



AR-50-US
OLD STYLE

NEWAY SUSPENSION PARTS

AR-50-US, AR-50-US-F, AR-50-US-F-1, AR-50-US-F-2, AR-51-US Series

Trailer

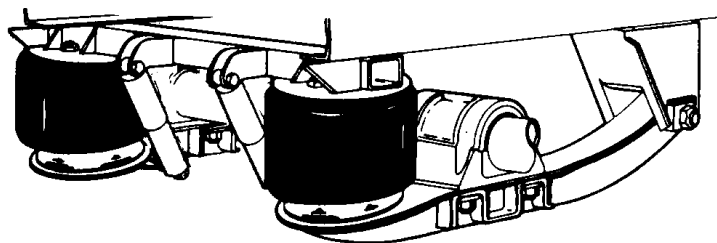
KEY NO.	MERITOR NO.	REPLACES NEWAY NO.	DESCRIPTION	QTY. PER AXLE	AR-					PAGE NO.
					50-US	50-US-F	50-US-F-1	50-US-F-2	51-US	
1	S.O.S.	905 18 081	Adjustable Frame Bracket Assembly	1	X		X			—
	S.O.S.	905 18 078				X		X		
	S.O.S.	905 18 071							X	
2	R304255	900 08 131	Rubber Bushing	2	X	X	X	X	X	1-448
3	R304321	900 31 027	Air Spring Mounting Plate	2	X	X	X	X	X	1-475
4	R304263	900 01 045	Alignment Block	4	X	X	X	X	X	1-473
5	R304361	932 01 045	Bolt	2	X	X	X	X	X	1-472, 2-32
6	R304358	934 00 506	Lock Nut	2	X	X	X	X	X	2-34
7	R304353	939 00 027	Washer, 1 5/8"	8	X	X	X	X	X	2-35
8	S.O.S.	905 16 008	Equalizing Beam, Left Hand (New Style)	1	X					—
	S.O.S.	905 16 000				X	X	X		
	S.O.S.	905 16 012							X	
	S.O.S.	905 15 141	Equalizing Beam, Left Hand (Old Style)	1	X					—
	S.O.S.	905 15 132				X	X	X		
	S.O.S.	905 16 009	Equalizing Beam, Right Hand (New Style)	1	X					—
	S.O.S.	905 16 001				X	X	X		
	S.O.S.	905 16 013							X	
S.O.S.	905 15 142	Equalizing Beam, Right Hand (Old Style)	1	X					—	
S.O.S.	905 15 131				X	X	X			
9	R304292	900 01 006	Axle Seat	2	X	X	X	X	X	1-468
10	FS9039	905 57 023	Air Spring Assembly	2	X	X	X	X	X	—
11	S.O.S.	936 00 072	Lock Washer, 1/2"	2	X	X	X	X	X	—
12	S.O.S.	934 00 136	Hex Nut, 1/2"-13 Thd.	2	X	X	X	X	X	—
13	S.O.S.	936 00 077	Washer, 3/4"	4	X	X	X	X	X	—
14	R301107	934 00 149	Hex Nut, 3/4"-16 Thd.	2	X	X	X	X	X	2-34
15	R304347	934 00 492	Lock Nut, 3/4"-10 Thd.	2	X	X	X	X	X	2-34
16	83128	900 44 162	Fleetline Shock Absorber	2	X	X	X	X	X	3-14
17	R304345	930 03 599	Bolt	4	X	X	X	X	X	1-476, 2-33
18	S.O.S.	900 32 561	Upper Shock Mounting Bracket (New Style)	4	X	X	X		X	—
	S.O.S.	900 18 061	Upper Shock Mounting Bracket, Left Hand (Old Style)	1	X	X	X		X	—
	S.O.S.	900 18 062	Upper Shock Mounting Bracket, Right Hand (Old Style)	1	X	X	X		X	—
	S.O.S.	905 19 040	Upper Shock Mounting Bracket (New Style)	2				X		—
	S.O.S.	900 18 114	Upper Shock Mounting Bracket (Old Style)	2				X		—
19	R304289	900 01 082	Axle Adapter, 5" Round Axle	2	X	X	X	X	X	1-466
	R304290	900 01 083	Axle Adapter, 5" Square Axle		X	X	X	X	X	1-467
20	R304282	900 10 032	Axle Cap, 5" Round Axle (New Style)	2	X	X	X	X	X	1-466
	R304283	900 10 022	Axle Cap, 5" Square Axle		X	X	X	X	X	1-466
21	R302947A (Rubber)	900 28 075	Axle Pad (New Style)	2	X	X	X	X	X	1-452
	R308680 (Poly)									1-452, 2-10
	R302010 (Rubber)	900 28 016	Axle Pad (Old Style)		X	X	X	X	X	1-451
	R308674 (Poly)									1-451, 2-10

S.O.S. = Available through Meritor's S.O.S. Department

Continued on next page

NEWAY SUSPENSION

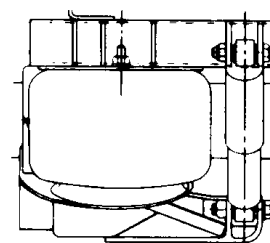
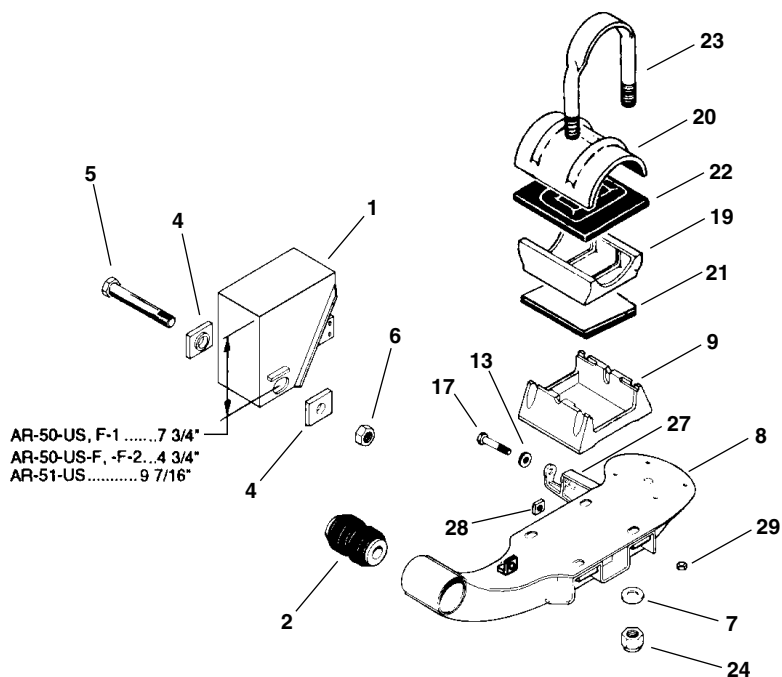
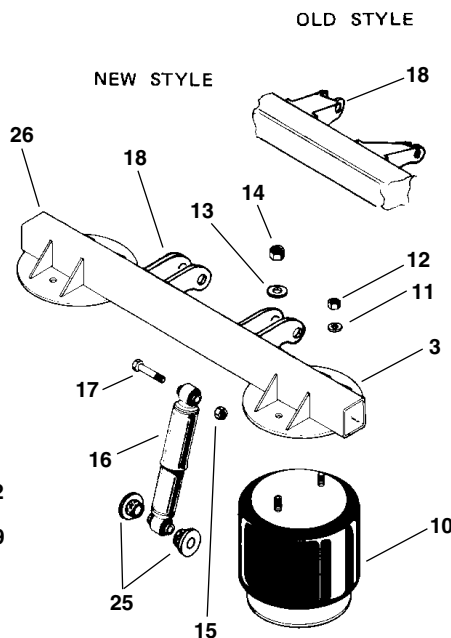
AR-50-US, AR-50-US-F, AR-50-US-F-1, AR-50-US-F-2, AR-51-US Series Trailer



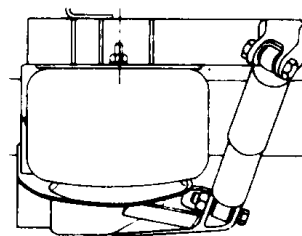
NOTE: Conversion to NEW STYLE Shock Brackets - SRK-109 UP-TO-DATE 151

1

NOTE: For 15" wheel axle connection parts, with cam on horizontal centerline, refer to 15" WHEEL AXLE CONNECTION on last page of this section.



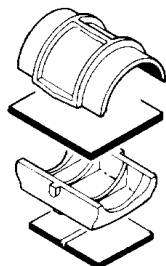
AR-50-US
NEW STYLE



AR-50-US
OLD STYLE

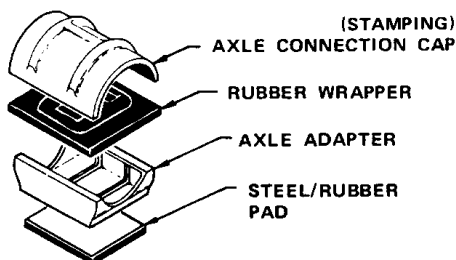
OLD STYLE

5" Rd. (Shown) & 5" Sq.



NEW STYLE

5" Rd. (all parts) & 5" Sq. (axle adapter & pad)



NEWAY SUSPENSION PARTS

AR-50-US, AR-50-US-F, AR-50-US-F-1, AR-50-US-F-2, AR-51-US Series

Trailer

KEY NO.	MERITOR NO.	REPLACES NEWAY NO.	DESCRIPTION	QTY. PER AXLE	AR-					PAGE NO.
					50-US	50-US-F	50-US-F-1	50-US-F-2	51-US	
22	R302943 (Rubber)	900 28 047	Wrapper, Round Axle (New Style)	2	X	X	X	X	X	1-451
	R308678 (Poly)									1-451, 2-9
	R302009 (Rubber)	900 28 073	Wrapper, Square Axle (Old Style)		X	X	X	X	X	1-451
	R308673 (Poly)									1-451, 2-9
	R304409 (Rubber)				900 28 007	Wrapper, Round Axle	X	X	X	X
23	R30U8479-090	900 41 878	U-Bolt Assembly, Flat Rd. Bend, 1"- 14 Thd. x 6 5/16" Wide x 9" Long	4	X	X	X	X	X	2-30
	R30U8578-094	900 41 997	U-Bolt Assembly, Flat Sq. Bend, 1"- 14 Thd. x 6 5/16" Wide x 9 1/2" Long	4	X	X	X	X	X	2-30
24	R304421	934 00 502	Lock Nut, 1"- 8 Thd.	8	X	X	X	X	X	2-34
25	R304403 (Rubber)	905 08 004	Bushing	8	X	X	X	X	X	2-53, 3-2
	R308684 (Poly)									2-10, 3-2
26	S.O.S.	905 44 573	Crossmember Assembly (New Style)	1	X	X	X	X		—
	S.O.S.	905 44 615								
	S.O.S.	905 18 065	Crossmember Assembly (Old Style)	1	X					—
27	R304338	905 19 009	Lower Shock Mounting Bracket (New Style)	2	X	X	X	X	X	1-476
	S.O.S.	900 18 067	Lower Shock Mounting Bracket (Old Style)							—
28	S.O.S.	934 00 367	Square Nut, 3/4"-10 Thd.	2	X	X	X	X	X	—
29	S.O.S.	934 00 553	Lock Nut, 3/4"-10 Thd.	2	X	X	X	X	X	—
—	R304396	SRK-48-A	Pivot Connection Kit (New Style) Includes Key Nos. 2, 5, 6	1	X	X	X	X	X	1-458
—	R302977A	SRK-64	5" Round Axle Connection Kit (New Style) Includes Key Nos. 7, 21, 22, 23, 24	1	X	X	X	X	X	1-453
—	S.O.S.	SRK-109	Shock Absorber & Bracket Conversion Kit Includes Key Nos. 13, 15, 16, 17, 18, 27, 28	1	X	X	X	X	X	—

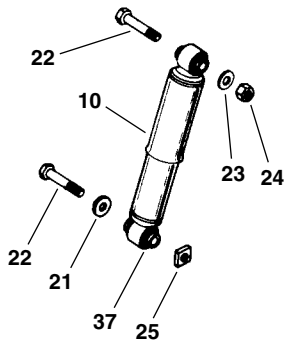
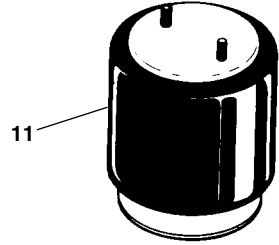
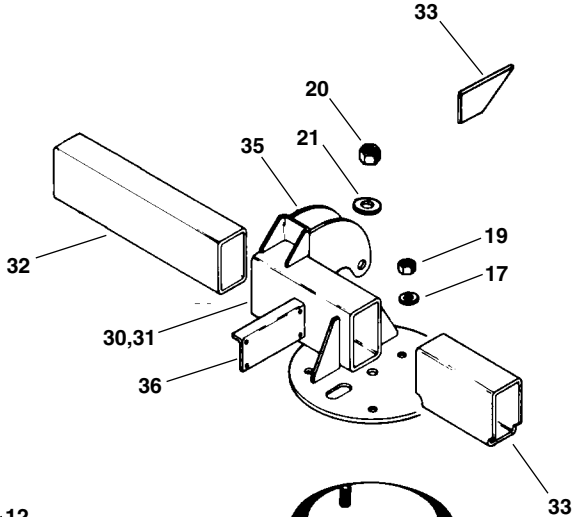
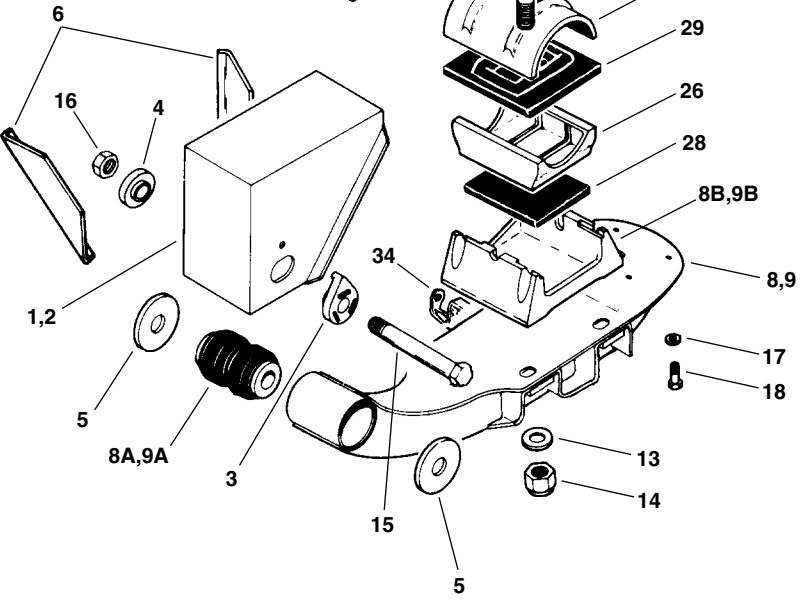
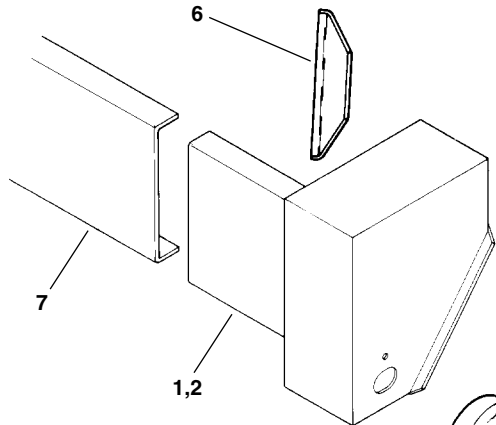
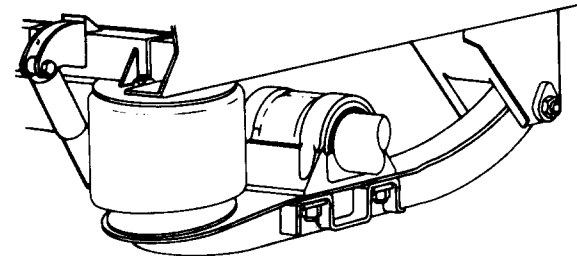
S.O.S. = Available through Meritor's S.O.S. Department

1

NEWAY SUSPENSION

AR-70-9, -14, AR-95-9, -12, -14, -17 Series
Trailer

1



NEWAY SUSPENSION PARTS

AR-70-9, -14, AR-95-9, -12, -14, -17 Series

Trailer

KEY NO.	MERITOR NO.	REPLACES NEWAY NO.	DESCRIPTION	QTY. PER AXLE	AR-						PAGE NO.
					70-9	70-14	95-9	95-12	95-14	95-17	
1	S.O.S.	905 18 716	Adjustable Frame Bracket Assembly, Left Hand	1	X						—
	S.O.S.	905 18 722				X					
	S.O.S.	905 18 714					X	X			
	S.O.S.	905 18 720							X	X	
2	S.O.S.	905 18 716	Adjustable Frame Bracket Assembly, Right Hand	1	X	X					—
	S.O.S.	905 18 714					X	X			
	S.O.S.	905 18 719							X	X	
3	R304268	900 08 091	Alignment Block	2	X	X	X	X	X	X	1-472
4	R304265	900 08 092	Alignment Block	2	X	X	X	X	X	X	1-472
5	R304363	900 36 177	Washer		X	X	X	X	X	X	2-35
6	S.O.S.	900 23 002	Angle Brace	4	X						—
	S.O.S.	900 23 866		4			X	X			
	S.O.S.	900 23 866	Angle Brace, Left Hand	1		X					—
	S.O.S.	900 23 918						X	X		
	S.O.S.	900 23 866	Angle Brace, Right Hand	1		X					—
S.O.S.	900 23 919						X	X			
7	S.O.S.	410 23 327	Channel	1		X			X	X	—
8	S.O.S.	905 15 624	Equalizer Beam Assembly, Left Hand, Includes 8A & 8B	1	X	X		X		X	—
	S.O.S.	905 15 667					X		X		
8A	R304382A	900 08 139	Bushing	1	X	X	X	X	X	X	1-450
8B	R304292	900 01 006	Axle Seat	1	X	X		X		X	1-468
	S.O.S.	900 01 008					X		X		
9	S.O.S.	905 15 625	Equalizer Beam Assembly, Right Hand, Includes 9A & 9B	1	X	X		X		X	—
	S.O.S.	905 15 668					X		X		
9A	R304382A	900 08 139	Bushing	1	X	X	X	X	X	X	1-450
9B	R304292	900 01 006	Axle Seat	1	X	X		X		X	1-468
	S.O.S.	900 01 008					X		X		
10	83126	900 44 626	Fleetline Shock Absorber	2	X	X					3-13
	89430		GasSLX Shock Absorber								
	83125		Fleetline Shock Absorber								
11	FS9121	905 57 078	Air Spring Assembly	2	X	X					—
	FS9122	905 57 077									
12	R30U8479-090	900 41 878	U-Bolt Assembly, Flat Rd. Bend, 1"-14 Thd. x 6 5/16" Wide x 9" Long	4	X	X		X		X	2-30
	R30U8479-124A	900 42 792	U-Bolt Assembly, Flat Rd. Bend, 1"-14 Thd. x 6 5/16" Wide x 12 1/2" Long	4			X		X		2-30
	R30U8578-124A	900 42 795	U-Bolt Assembly, Flat Sq. Bend, 1"-14 Thd. x 6 5/16" Wide x 12 1/2" Long	4			X		X		2-30
	R30U8578-094	900 41 997	U-Bolt Assembly, Flat Sq. Bend, 1"-14 Thd. x 6 5/16" Wide x 9 1/2" Long	4	X	X		X		X	2-30
13	R304353	939 00 027	Flat Washer, 1 5/8"	8	X	X	X	X	X	X	2-35
14	R304421	934 00 502	Lock Nut	8	X	X	X	X	X	X	2-34
15	R304364	932 01 046	Bolt	2	X	X	X	X	X	X	2-32
16	R304358	934 00 506	Lock Nut	2	X	X	X	X	X	X	2-34
17	S.O.S.	936 00 072	Lock Washer, 1/2"	8	X	X	X	X	X	X	—
18	S.O.S.	930 02 893	Bolt, 1/2" - 13 Thd. x 1"	6	X	X	X	X	X	X	—
19	S.O.S.	934 00 136	Hex Nut, 1/2" - 13 Thd.	2	X	X	X	X	X	X	—
20	R301107	934 00 149	Hex Nut, 3/4" - 16 Thd.	2	X	X	X	X	X	X	2-34
21	S.O.S.	936 00 077	Lock Washer, 3/4"	4	X	X	X	X	X	X	—
22	S.O.S.	930 03 603	Bolt, 3/4"-10 Thd. x 3 3/4"	4	X	X	X	X	X	X	—
23	R302545	936 00 156	Washer	2	X	X	X	X	X	X	2-35

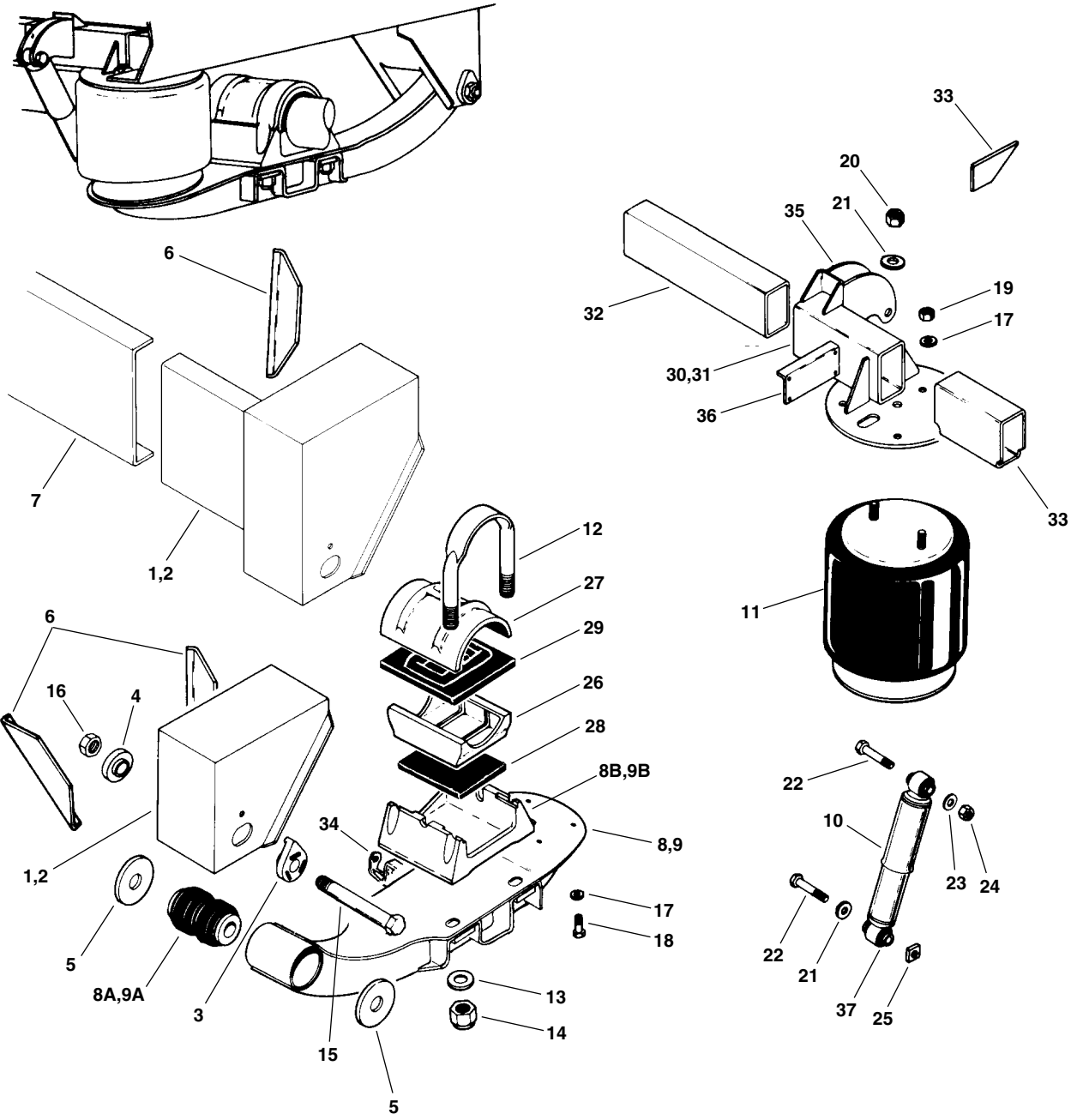
S.O.S. = Available through Meritor's S.O.S. Department

Continued on next page

NEWAY SUSPENSION

AR-70-9, -14, AR-95-9, -12, -14, -17 Series
Trailer

1



NEWAY SUSPENSION PARTS

AR-70-9, -14, AR-95-9, -12, -14, -17 Series

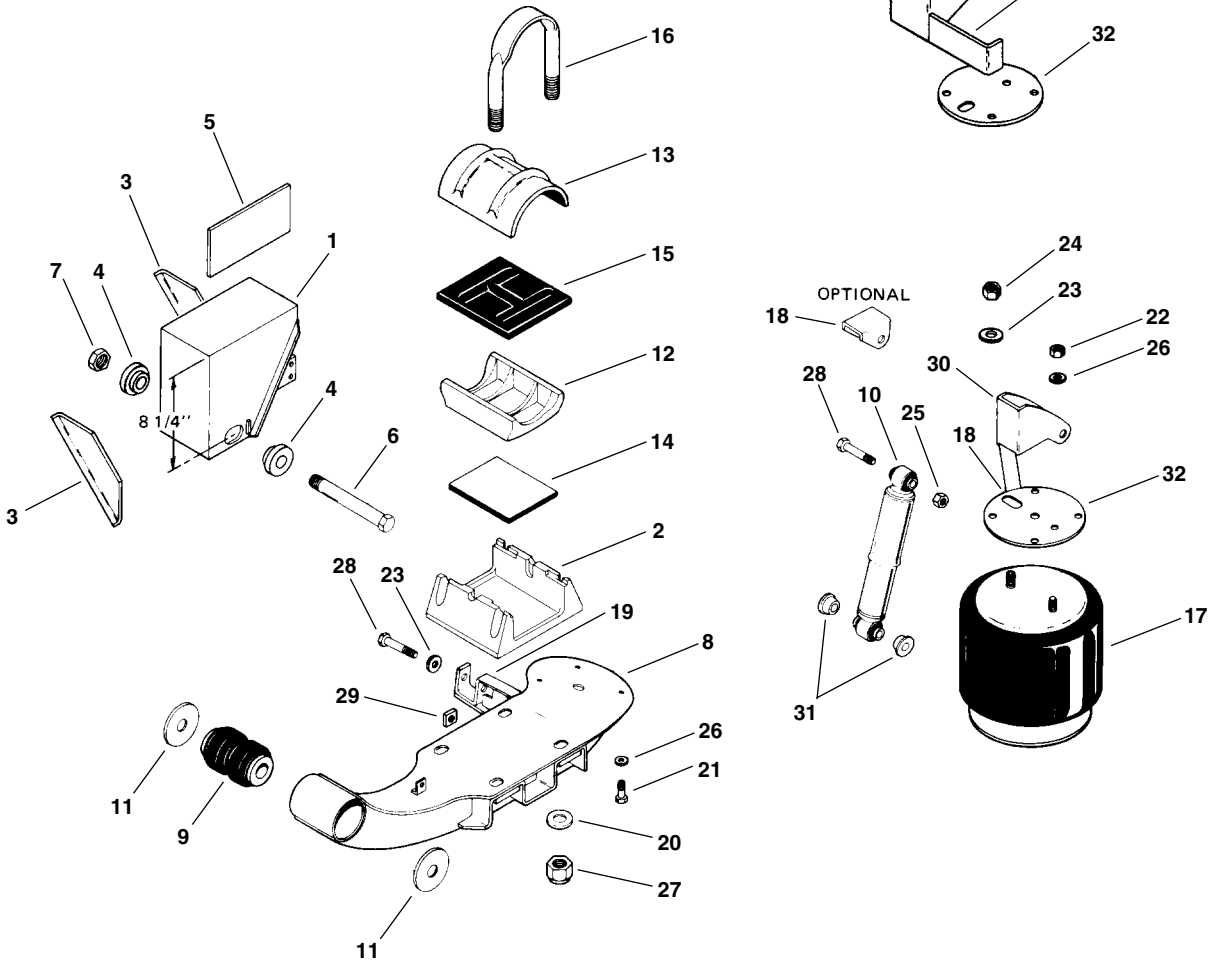
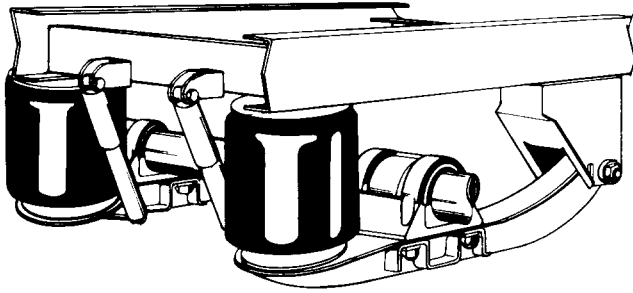
Trailer

KEY NO.	MERITOR NO.	REPLACES NEWAY NO.	DESCRIPTION	QTY. PER AXLE	AR-						PAGE NO.
					70-9	70-14	95-9	95-12	95-14	95-17	
24	R304347	934 00 492	Lock Nut, 3/4"-10 Thd.	2	X	X	X	X	X	X	2-34
25	S.O.S.	934 00 367	Square Nut, 3/4"-10 Thd.	2	X	X	X	X	X	X	—
26	R304289	900 01 082	Axle Adapter, 5" Round	2	X	X	X	X	X	X	1-466
	R304290	900 01 083	Axle Adapter, 5" Square		X	X	X	X	X	X	1-467
27	R304282	900 10 032	Axle Cap, 5" Round	2	X	X	X	X	X	X	1-466
	R304283	900 10 022	Axle Cap, 5" Square		X	X	X	X	X	X	1-466
28	R302947A (Rubber)	900 28 075	Axle Pad	2	X	X	X	X	X	X	1-452
	R308680 (Poly)				X	X	X	X	X	X	1-452, 2-10
29	R302943 (Rubber)	900 28 047	Wrapper, 5" Round Axle	2	X	X	X	X	X	X	1-451
	R308678 (Poly)				X	X	X	X	X	X	1-451, 2-9
	R304409 (Rubber)				900 28 073	Wrapper, 5" Square Axle	X	X	X	X	X
30	S.O.S.	905 18 723	Crossmember Assembly, Left Hand, Includes 35 & 36	1	X						—
	S.O.S.	905 18 728				X					
	S.O.S.	905 18 727					X	X			
	S.O.S.	905 18 726							X	X	
31	S.O.S.	905 18 751	Crossmember Assembly, Right Hand, Includes 35 & 36	1	X						—
	S.O.S.	905 18 752				X					
	S.O.S.	905 18 754					X	X			
	S.O.S.	905 18 753							X	X	
32	S.O.S.	905 38 008	Channel Assembly	1	X	X	X	X	X	X	—
33	S.O.S.	905 38 007	Channel Assembly	2	X		X	X			—
	S.O.S.	900 32 137	Gusset			X			X	X	
34	S.O.S.	900 18 179	Lower Shock Bracket	2	X	X	X	X	X	X	—
35	S.O.S.	900 18 322	Shock Bracket	2	X	X	X	X	X	X	—
36	S.O.S.	900 23 865	Bracket	2	X	X	X	X	X	X	—
37	R304403 (Rubber)	905 08 004	Bushing	8	X	X	X	X	X	X	2-53, 3-2
	R308684 (Poly)				X	X	X	X	X	X	2-10, 3-2
—	R304398A	SRK-145	Pivot Connection Kit Includes Key Nos. 5, 8A, 15, 16	1	X	X	X	X	X	X	1-457
	R302977A	SRK-64 481 00 108	5" Round Standard Axle Connection Kit, Includes Key Nos. 12, 13, 14, 28, 29		X	X		X		X	1-453
	R306898	SRK-68 481 00 112	20" Wheels 5" Square Std. Axle Connection Kit, Includes Key Nos. 12, 13, 14, 28, 29		X	X		X		X	1-454
	R304390	SRK-128 481 00 181	5" Round Standard Axle Connection Kit, Includes Key Nos. 12, 13, 14, 28, 29				X		X		1-454
	S.O.S.	SRK-129	20" Wheels 5" Square Std. Axle Connection Kit, Includes Key Nos. 12, 13, 14, 28, 29				X		X		—
	S.O.S.	SRK-132	5" Round Heavy-Duty Axle Connection Kit, Includes Key Nos. 12, 13, 14, 28, 29				X		X		—

S.O.S. = Available through Meritor's S.O.S. Department

NEWAY SUSPENSION

AR-75-6, -9, AR-85-A Series Trailer



1

NEWAY SUSPENSION PARTS

AR-75-6, -9, AR-85-A Series

Trailer

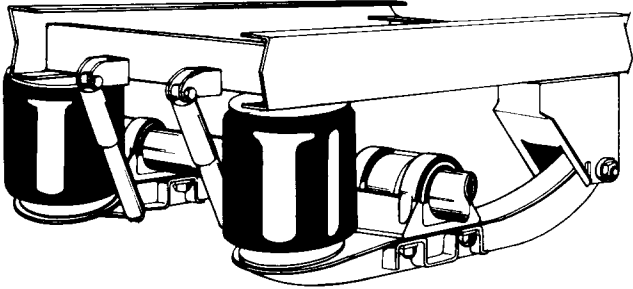
KEY NO.	MERITOR NO.	REPLACES NEWAY NO.	DESCRIPTION	QTY. PER AXLE	AR-			PAGE NO.		
					75-6	75-9	85-A			
1	S.O.S.	905 19 714	Adjustable Frame Bracket, Left Hand	1	X	X	X	—		
	S.O.S.	905 19 151	Adjustable Frame Bracket, Right Hand		X	X	X			
2	S.O.S.	900 01 008	Axle Seat	2	X			— 1-468		
	R304292	900 01 006				X	X			
3	S.O.S.	900 23 002	Angle Brace	4	X	X	X	—		
4	R309284	900 08 147	Alignment Block	4	X	X	X	1-472		
5	S.O.S.	900 31 437	Plate	2		X	X	—		
6	R304364	932 01 046	Bolt	2	X	X	X	2-32		
7	R304358	934 00 506	Lock Nut	2	X	X	X	2-34		
8	S.O.S.	905 15 859	Equalizer Beam Assembly Includes Key Nos. 2, 9. Left Hand	1	X			—		
	S.O.S.	905 15 857				X				
	S.O.S.	905 16 195					X			
	S.O.S.	905 15 860	Equalizer Beam Assembly Includes Key Nos. 2, 9. Right Hand	1	X			—		
	S.O.S.	905 15 858				X				
	S.O.S.	905 16 196					X			
9	R304382A (Rubber)	900 08 139	Bushing	2	X	X	X	1-450		
	R308683 (Poly)							1-450, 2-10		
10	83126	900 44 626	Fleetline Shock Absorber	2	X	X		3-13		
	89430		GasSLX Shock Absorber							
	83125	900 44 625	Fleetline Shock Absorber				X	3-13		
11	R304363	900 36 177	Washer, 1 1/8"	4	X	X	X	2-35		
12	R304289	900 01 082	Adapter, 5" Round Axle	2	X	X	X	1-466		
	R304290	900 01 083	Adapter, 5" Square Axle					1-467		
13	R304282	900 10 032	Axle Cap, 5" Round Axle	2	X	X	X	1-466		
	R304283	900 10 022	Axle Cap, 5" Square Axle					1-466		
14	R302947A (Rubber)	900 28 075	Pad	2	X	X	X	1-452		
	R308680 (Poly)							1-452, 2-10		
15	R302943 (Rubber)	900 28 047	Wrapper, 5" Round Axle	2	X	X	X	1-451		
	R308678 (Poly)							1-451, 2-9		
	R304409 (Rubber)	900 28 073	Wrapper, 5" Square Axle					1-451		
16	R30U8479-124A	900 42 792	U-Bolt Assembly, Flat Round Bend, 1"-14 Thd. x 6 5/16" Wide x 12 1/2" Long	4	X			2-30		
	R30U8479-090	900 41 878	U-Bolt Assembly, Flat Round Bend, 1"-14 Thd. x 6 5/16" Wide x 9" Long					X	X	2-30
	R30U8578-124A	900 42 795	U-Bolt Assembly, Flat Square Bend, 1"-14 Thd. x 6 5/16" Wide x 12 1/2" Long					X		2-30
	R30U8578-124A	900 42 794	U-Bolt Assembly, Flat Square Bend, 1"-14 Thd. x 6 5/16" Wide x 12 1/2" Long						X	2-30
	R30U8578-094	900 42 836	U-Bolt Assembly, Flat Square Bend, 1"-14 Thd. x 6 5/16" Wide x 9 1/2" Long							X
17	FS9082	905 57 027	Air Spring Assembly	2	X	X		—		
	FS9121	905 57 078							X	—

S.O.S. = Available through Meritor's S.O.S. Department

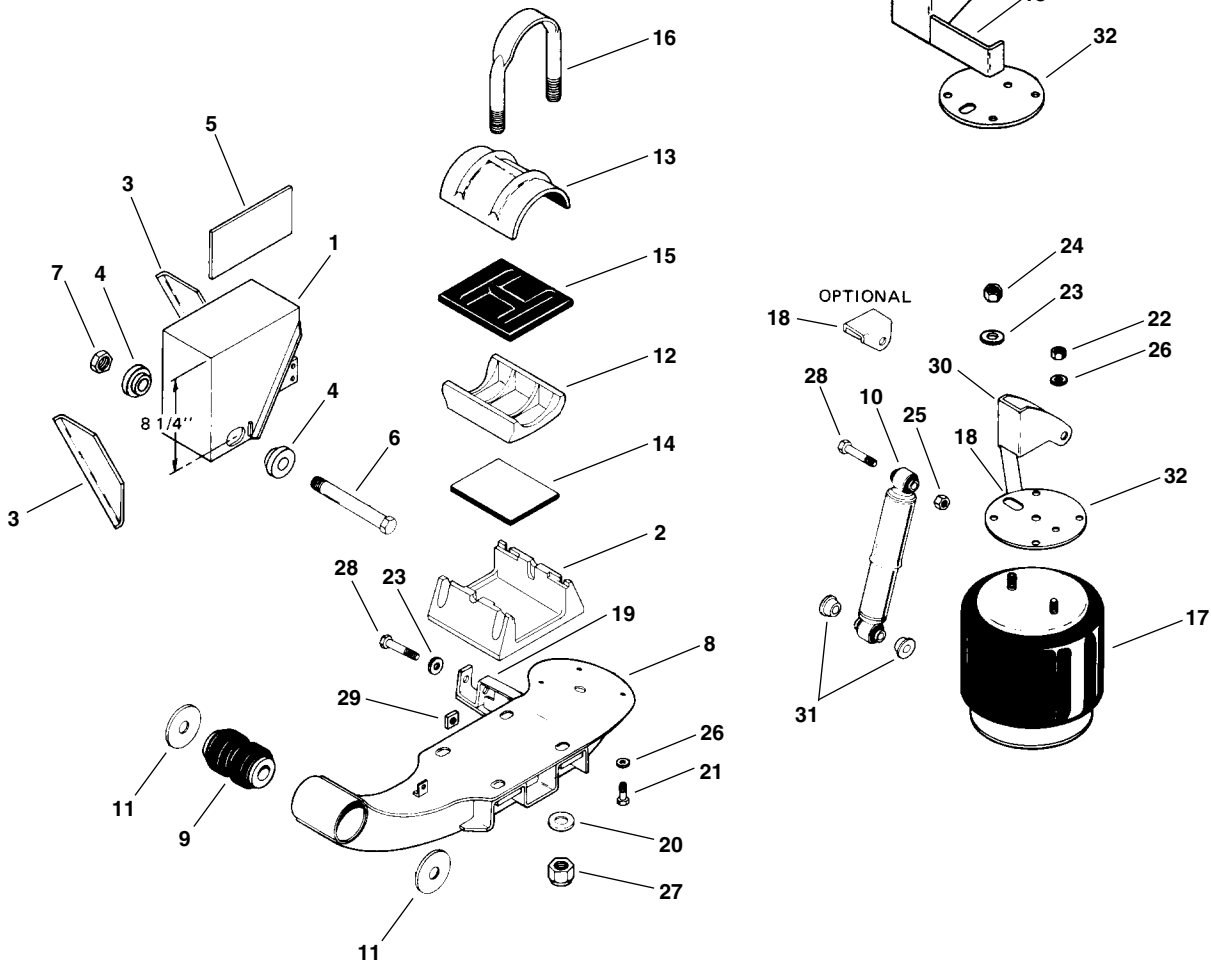
Continued on next page

NEWAY SUSPENSION

AR-75-6, -9, AR-85-A Series Trailer



1



NEWAY SUSPENSION PARTS

AR-75-6, -9, AR-85-A Series

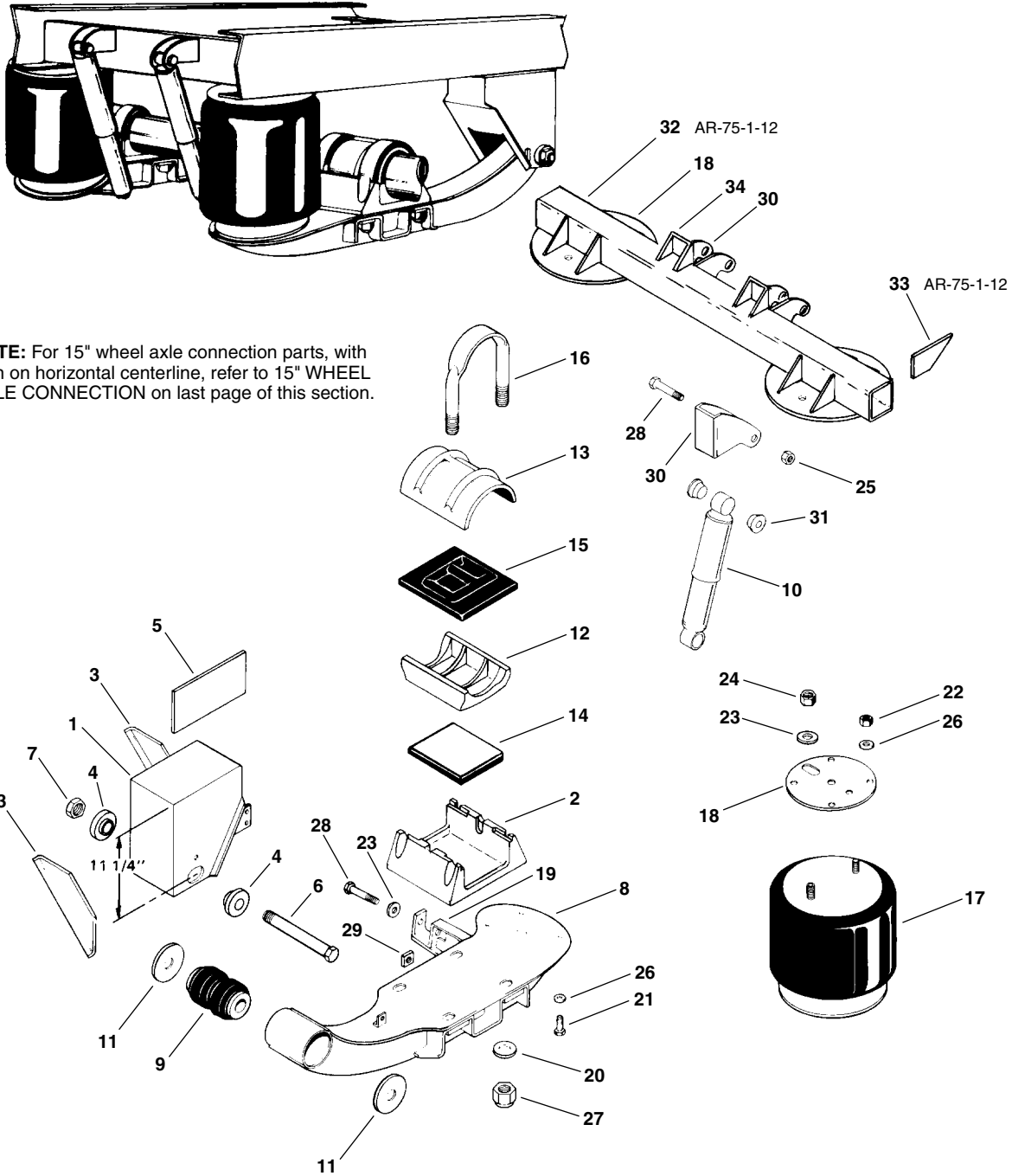
Trailer

KEY NO.	MERITOR NO.	REPLACES NEWAY NO.	DESCRIPTION	QTY. PER AXLE	AR-			PAGE NO.
					75-6	75-9	85-A	
18	S.O.S.	905 19 040	Upper Shock Bracket (Optional on AR-75-9)	2	X	X		—
	S.O.S.	905 31 073	Air Spring Mounting & Shock Bracket Assembly, Left Hand	1		X		—
	S.O.S.	905 31 115					X	
	S.O.S.	905 31 074	Air Spring Mounting & Shock Bracket Assembly, Right Hand	1		X		—
S.O.S.	905 31 116					X		
19	S.O.S.	905 19 425	Lower Shock Mounting Bracket	2	X	X		—
	S.O.S.	905 19 809					X	
20	R304353	939 00 027	Washer, 1 5/8"	8	X	X	X	2-35
21	S.O.S.	930 02 893	Cap Screw, 1/2" - 13 Thd. x 1", Grade 2	6	X	X	X	—
22	S.O.S.	934 00 136	Hex Nut, 1/2" - 13 Thd., Grade B	2	X	X	X	—
23	S.O.S.	936 00 077	Lock Washer, 3/4"	4	X	X	X	—
24	S.O.S.	934 00 149	Hex Nut, 3/4" - 16 Thd., Grade B	2	X	X	X	—
25	R304347	934 00 492	Lock Nut, 3/4"- 10 Thd.	2	X	X	X	2-34
26	S.O.S.	936 00 072	Lock Washer, 1/2"	8	X	X	X	—
27	R304421	934 00 502	Lock Nut, 1"- 8 Thd.	8	X	X	X	2-34
28	R304345	930 03 597	Bolt, 3/4"-10 Thd. x 3 1/2"	4	X	X		1-476, 2-33
				2			X	
29	S.O.S.	934 00 367	Square Nut, 3/4"-10 Thd., Grade A	2	X	X	X	—
30	S.O.S.	900 18 348	Upper Shock Mounting Bracket	2		X		—
	S.O.S.	905 19 810					X	
31	R304403 (Rubber)	905 08 004	Bushing	8	X	X	X	2-53, 3-2
	R308684 (Poly)							2-10, 3-2
32	R304321	900 31 027	Air Spring Mounting Plate	2		X	X	1-475
33	R302989	930 03 633	Bolt, 3/4"-10 Thd. x 5"	2			X	2-32
—	R304398A	SRK-145 481 00 202	Pivot Connection	1	X	X	X	1-457
—	R304390	SRK-128 481 00 181	5" Round Axle Connection	1	X			1-454
—	S.O.S.	SRK-129	20" Wheels 5" Square Axle Connection	1	X			—
—	R302977A	SRK-64 481 00 108	5" Round Axle Connection	1		X	X	1-453
—	S.O.S.	SRK-72	15" Wheels 5" Square Axle Connection	1		X		—
—	R306898	SRK-68 481 00 112	20" Wheels 5" Square Axle Connection	1		X		1-454

S.O.S. = Available through Meritor's S.O.S. Department

NEWAY SUSPENSION

AR-75-12, 1-12 Series Trailer



1

NEWAY SUSPENSION PARTS

AR-75-12, 1-12 Series

Trailer

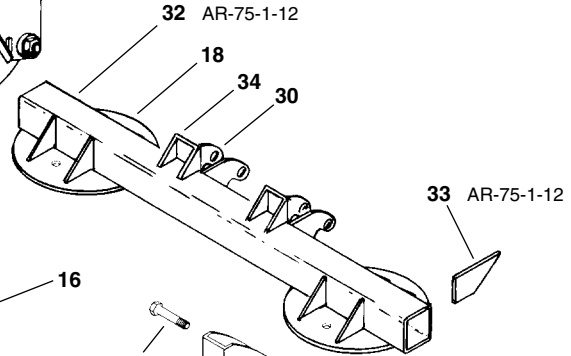
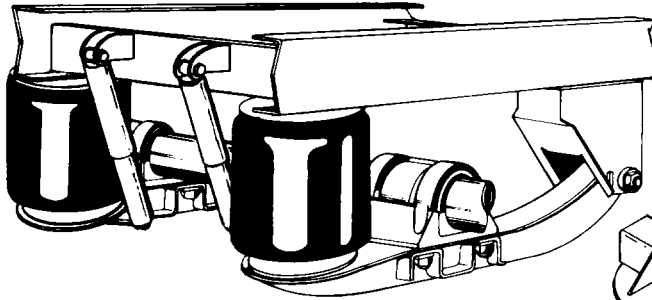
KEY NO.	MERITOR NO.	REPLACES NEWAY NO.	DESCRIPTION	QTY. PER AXLE	AR-75-		PAGE NO.
					12	1-12	
1	S.O.S.	905 19 714	Adjustable Frame Bracket, Left Hand	1	X	X	—
	S.O.S.	905 20 151	Fixed Frame Bracket, Right Hand	1	X	X	
2	R304292	900 01 006	Axle Seat	2	X	X	1-468
3	S.O.S.	900 23 001	Angle Brace	4	X	X	—
4	R309284	900 08 147	Alignment Block	4	X	X	1-472
5	S.O.S.	900 31 437	Plate	2	X	X	—
6	R304364	932 01 046	Bolt	2	X	X	2-32
7	R304358	934 00 506	Lock Nut	2	X	X	2-34
8	S.O.S.	905 15 857	Equalizing Beam, Left Hand	1	X	X	—
	S.O.S.	905 15 858	Equalizing Beam, Right Hand	1	X	X	
9	R304382A (Rubber)	900 08 139	Bushings	2	X	X	1-450
	R308683 (Poly)						1-450, 2-10
10	83126	900 44 626	Fleetline Shock Absorber	2	X	X	3-13
	89430		GasSLX Shock Absorber				
11	R304363	900 36 177	Washer, 1 1/8"	4	X	X	2-35
12	R304289	900 01 082	Adapter, 5" Round Axle	2	X	X	1-466
	R304290	900 01 083	Adapter, 5" Square Axle				1-467
13	R304282	900 10 032	Axle Cap, 5" Round Axle	2	X	X	1-466
	R304283	900 10 022	Axle Cap, 5" Square Axle				1-466
14	R302947A (Rubber)	900 28 075	Pad	2	X	X	1-452
	R308680 (Poly)						1-452, 2-10
15	R302943 (Rubber)	900 28 047	Wrapper, Round Axle	2	X	X	1-451
	R308678 (Poly)						1-451, 2-9
	R304409 (Rubber)	900 28 073	Wrapper, Square Axle				1-451
16	R30U8479-090	900 41 878	U-Bolt Assembly, Flat Rd. Bend, 1"-14 Thd. x 6 5/16" Wide x 9" Long	4	X	X	2-30
	R30U8578-124A	900 42 794	U-Bolt Assembly, Flat Sq. Bend, 1"-14 Thd. x 6 5/16" Wide x 12 1/2" Long				2-30
	R30U8578-094	900 41 997	U-Bolt Assembly, Flat Sq. Bend, 1"-14 Thd. x 6 5/16" Wide x 9 1/2" Long				2-30
17	FS9101	905 57 009	Air Spring Assembly	2	X	X	—
	FS9346	905 57 126					—
18	R304321	900 31 027	Plate	2	X	X	1-475
19	S.O.S.	905 19 425	Lower Shock Mounting Bracket	2	X	X	—
20	R304353	939 00 027	Washer, 1 5/8"	8	X	X	2-35
21	S.O.S.	930 02 893	Cap Screw, 1/2"-13 Thd. x 1"	6	X	X	—
22	S.O.S.	934 00 136	Hex Nut, 1/2"-13 Thd.	2	X	X	—
23	S.O.S.	936 00 077	Lock Washer, 3/4"	4	X	X	—
24	R301107	934 00 149	Hex Nut, 3/4"-16 Thd.	2	X	X	2-34
25	R304347	934 00 492	Lock Nut, 3/4"-10 Thd.	2	X	X	2-34
26	S.O.S.	936 00 072	Lock Washer, 3/4"	8	X	X	—
27	R304421	934 00 502	Lock Nut	8	X	X	2-34
28	R304345	903 03 597	Bolt	4	X	X	1-476, 2-33
29	S.O.S.	934 00 367	Square Nut, 3/4"- 10 Thd.	2	X	X	—

S.O.S. = Available through Meritor's S.O.S. Department

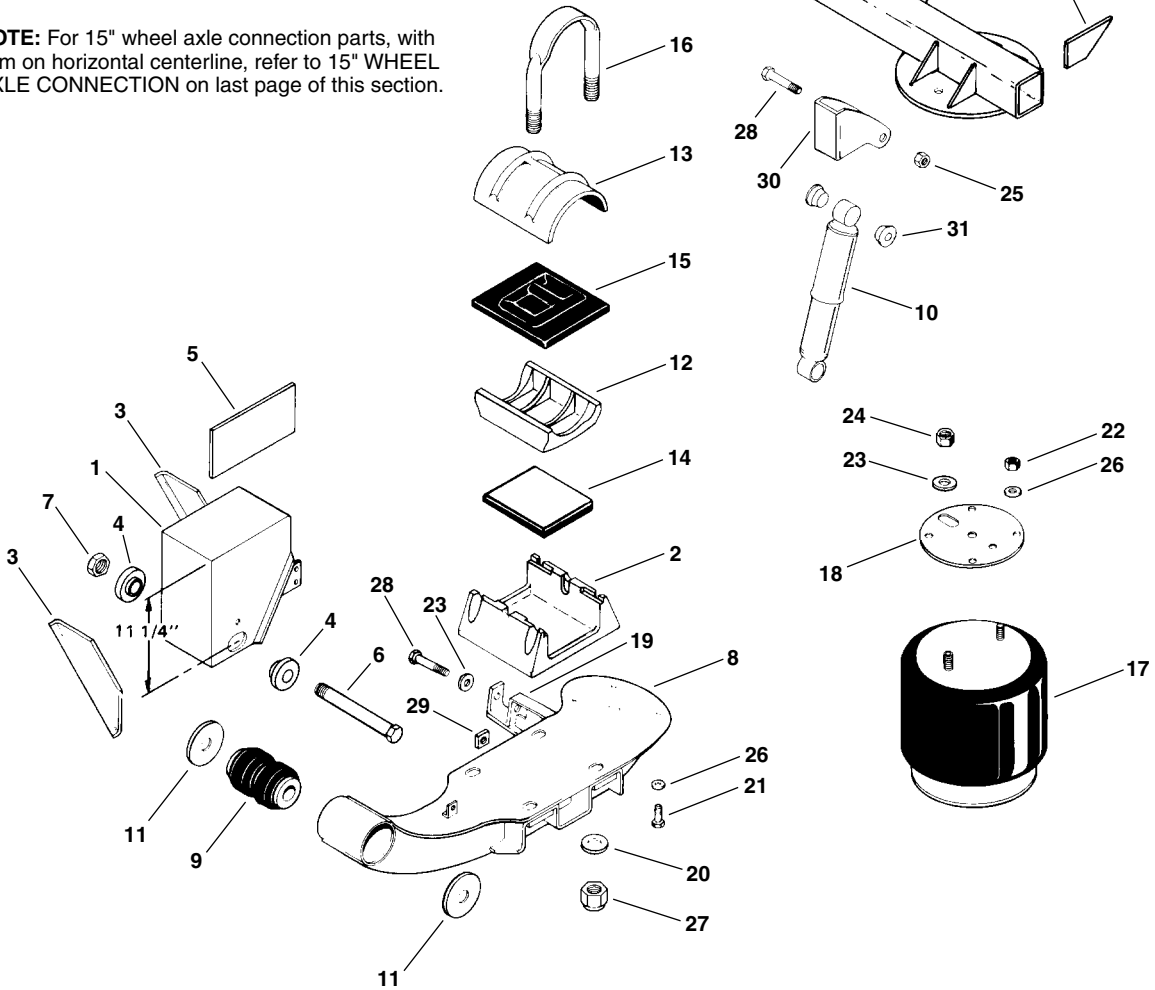
Continued on next page

NEWAY SUSPENSION

AR-75-12, 1-12 Series Trailer



NOTE: For 15" wheel axle connection parts, with cam on horizontal centerline, refer to 15" WHEEL AXLE CONNECTION on last page of this section.



1

NEWAY SUSPENSION PARTS

AR-75-12, 1-12 Series

Trailer

KEY NO.	MERITOR NO.	REPLACES NEWAY NO.	DESCRIPTION	QTY. PER AXLE	AR-75-		PAGE NO.
					12	1-12	
30	S.O.S.	900 18 348	Upper Shock Mounting Bracket	2	X		—
	S.O.S.	900 18 301		4		X	—
31	R304403 (Rubber)	905 08 004	Bushings	8	X	X	2-53, 3-2
	R308684 (Poly)						2-10, 3-2
32	S.O.S.	905 38 041	Rear Crossmember	1		X	—
33	S.O.S.	900 31 445	Gusset	2		X	—
34	S.O.S.	900 23 876	Reinforcement Bracket	2		X	—
—	R304398A	SRK-145 481 00 202	Pivot Connection Kit, Includes Key Nos. 6, 7, 9, 11	1	X	X	1-457
—	R302977A	SRK-64 481 00 108	5" Round Axle Connection Kit, Includes Key Nos. 14, 15, 16, 20, 27	1	X	X	1-453
—	R306898	SRK-68 481 00 112	20" Wheels 5" Square Axle Connection Kit, Includes Key Nos. 14, 15, 16, 20, 27	1	X		1-454

S.O.S. = Available through Meritor's S.O.S. Department

1

S.O.S. Special Order Service

Can't find it?

Trouble sourcing products?

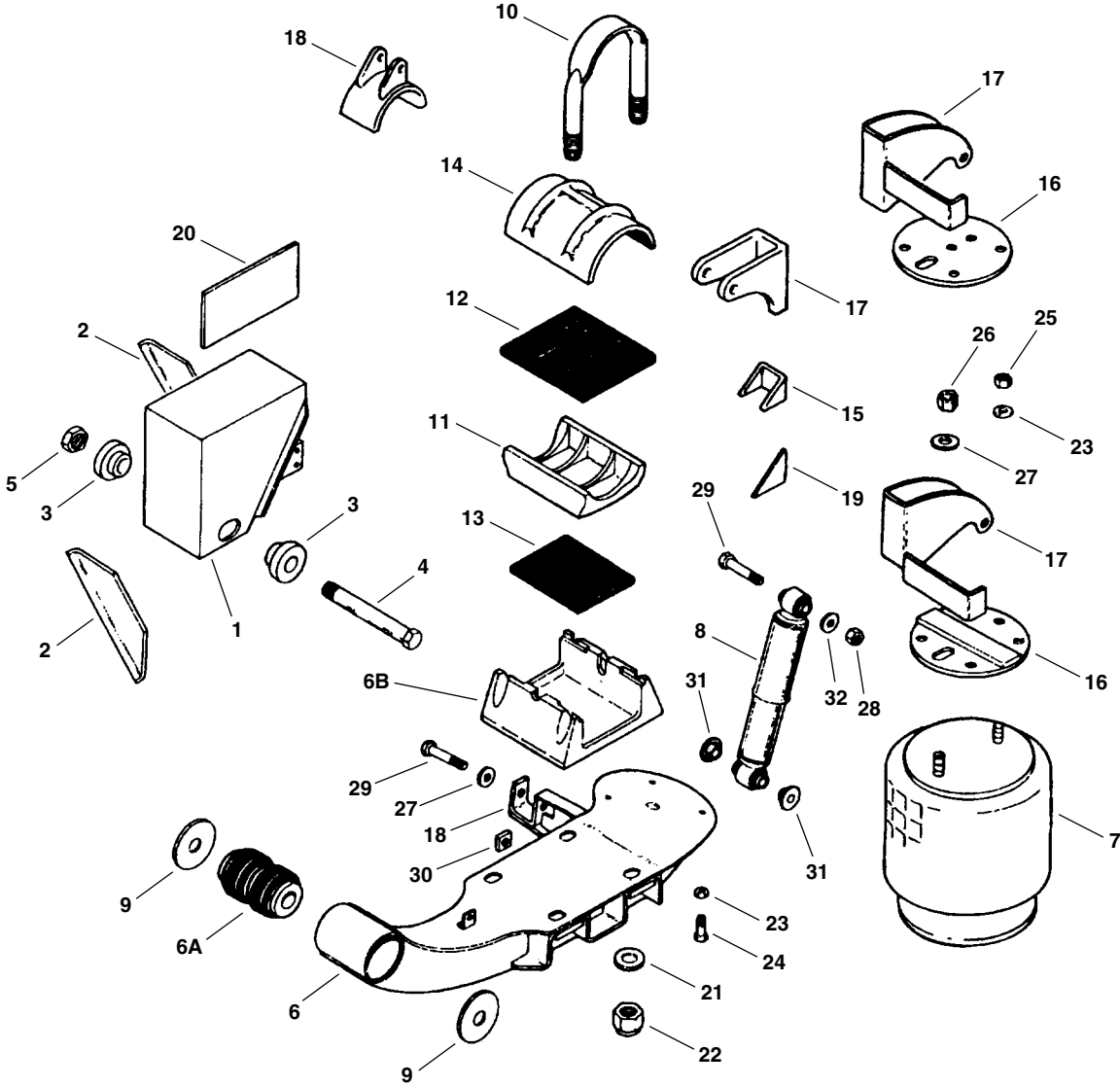
Need assistance?

Let Meritor's Special Order Service (S.O.S.) help you find your Neway parts.

Meritor's position as the market leader provides you access to a comprehensive array of truck parts products from the industry's leading manufacturers. Through Meritor, these entire product lines are available to you just by placing a phone call to Meritor's S.O.S. Department.

NEWAY SUSPENSION

Models AR-80 -6.75, -9, -9-WST Series Trailer



1

NEWAY SUSPENSION PARTS

Models AR-80 -6.75, -9, -9-WST Series

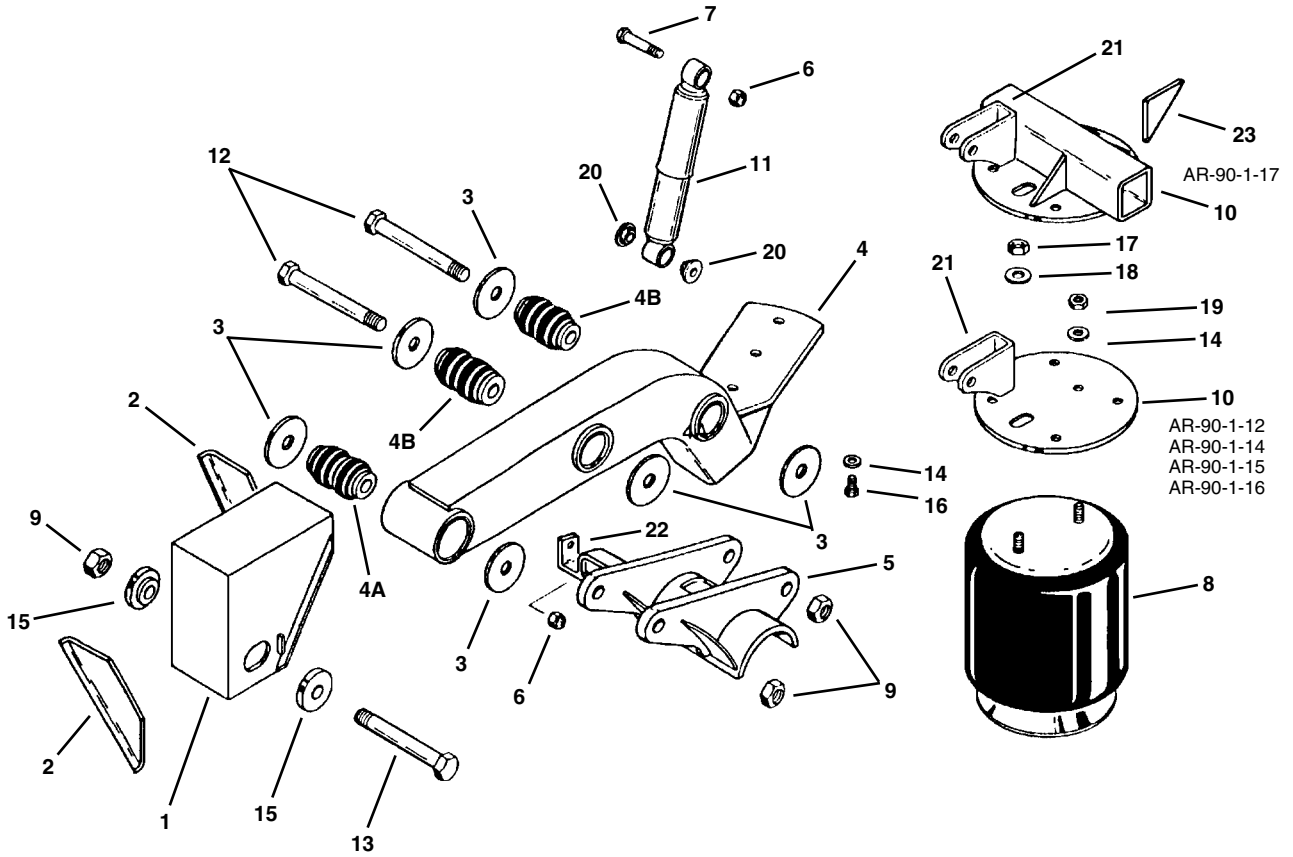
KEY NO.	MERITOR NO.	REPLACES NEWAY NO.	DESCRIPTION	QTY. PER AXLE	AR-80			PAGE NO.
					-6.75	-9	-9-WST	
1	S.O.S.	905 20 351	Adjustable Frame Bracket, Left Hand	1	X			—
	S.O.S.	905 19 714				X	X	
	S.O.S.	905 20 352	Fixed Frame Bracket, Right Hand	1	X			—
	S.O.S.	905 20 151	Adjustable Frame Bracket, Right Hand			X	X	
2	S.O.S.	900 23 002	Angle Brace	4	X	X	X	—
3	R309284	900 08 147	Alignment Block	4	X	X	X	1-472
4	R304364	932 01 055	Bolt, 1 1/8"- 7 Thd. x 9 3/16"	2	X	X	X	2-32
5	R304358	934 00 506	Lock Nut, 1 1/8"- 7 Thd.	2	X	X	X	2-34
6	S.O.S.	905 16 447	Equalizing Beam Assembly, Left Hand	1	X		X	—
	S.O.S.	905 16 449				X		
	S.O.S.	905 16 448	Equalizing Beam Assembly, Right Hand	1	X		X	—
	S.O.S.	905 16 450				X		
6A	R304382A	900 08 139	Rubber Bushing	2	X	X	X	1-450
6B	S.O.S.	900 01 131	Beam Seat	2	X	X	X	—
7	FS9121	905 57 078	Air Spring Assembly	2	X			—
	FS9134	905 57 125				X	X	—
8	83123	900 44 046	Fleetline Shock Absorber	2	X			3-13
	89405		GasSLX Shock Absorber					
	85045	900 44 868	Fleetline Shock Absorber			X		3-14
	89430		GasSLX Shock Absorber					3-13
9	R304363	900 36 177	Spacer Washer	4	X	X	X	2-35
10	R30U8479-090	900 41 878	U-Bolt Assembly, Flat Rd. Bend, 1"- 14 Thd. x 6 5/16" Wide x 9" Long	4	X	X	X	2-30
11	S.O.S.	900 01 132	Axle Adapter, 5" Round Axle	2	X	X	X	—
12	R302943	900 28 047	Rubber Wrapper, 5" Round Axle	2	X	X	X	1-451
13	R302947A	900 28 075	Rubber Pad	2	X	X	X	1-452
14	R304282	900 01 032	Axle Cap, 5" Round Axle	2	X	X	X	1-466
15	S.O.S.	900 23 876	Reinforcement Bracket	2	X			—
16	S.O.S.	905 31 199	Air Spring Plate & Shock Bracket	1	X			—
	S.O.S.	905 31 182					X	
	S.O.S.	905 31 200			X			
	S.O.S.	905 31 183					X	
	R304321	900 31 027	Air Spring Mounting Plate	2		X		1-475
17	S.O.S.	900 18 427	Upper Shock Bracket	2	X			—
	R304343	900 18 116				x		1-476
18	S.O.S.	905 19 425	Lower Shock Bracket	2	X		X	—
	S.O.S.	905 20 276				X		
19	S.O.S.	900 31 182	Gusset	2	X		X	—
20	S.O.S.	900 31 437	Plate	2			X	—
21	R304353	939 00 027	Flat Washer, 1 5/8"	8	X	X	X	2-35
22	R304421	934 00 502	Lock Nut, 1"- 8 Thd.	8	X	X	X	2-34
23	S.O.S.	936 00 072	Lock Washer, 1/2"	8	X	X	X	—
24	S.O.S.	930 02 893	Cap Screw, 1/2"- 13 Thd. x 1"	6	X	X	X	—
25	S.O.S.	934 00 136	Hex Nut, 1/2"- 13 Thd.	2	X	X	X	—
26	R301107	934 00 149	Hex Nut, 3/4"- 16 Thd.	2	X	X	X	2-34
27	S.O.S.	936 00 077	Lock Washer	2	X	X	X	—
28	R304347	934 00 492	Lock Nut, 3/4"- 10 Thd.	4	X	X	X	2-34
29	R304345	930 03 597	Bolt, 3/4"- 10 Thd. x 3 1/2"	4	X	X	X	1-476, 2-33
30	S.O.S.	934 00 367	Square Nut, 3/4"- 10 Thd.	2	X		X	—
31	R304403	905 08 004	Replacement Bushing, 4 Per Shock	8	X	X	X	2-53, 3-2
32	R302545	936 00 156	Flat Washer, 3/4"	2	X		X	2-35
—	R304398A	SRK-145	Pivot Connection Kit	1	X	X	X	1-457
—		481 00 202						
—	R302977A	SRK-64	Axle Connection Kit	1	X	X	X	1-453
—		481 00 108						

S.O.S. = Available through Meritor's S.O.S. Department

1

NEWAY SUSPENSION

AR-90-1-12, AR-90-1-14, AR-90-1-15, AR-90-1-16, AR-90-1-17 Series Trailer



1

NEWAY SUSPENSION PARTS

AR-90-1-12, AR-90-1-14, AR-90-1-15, AR-90-1-16, AR-90-1-17 Series Trailer

KEY NO.	MERITOR NO.	REPLACES NEWAY NO.	DESCRIPTION	QTY. PER AXLE	AR-90-1					PAGE NO.
					12	14	15	16	17	
1	S.O.S.	905 20 219	Adjustable Frame Bracket	2	X					—
	S.O.S.	905 19 710				X	X			
	S.O.S.	905 20 235						X		
	S.O.S.	905 19 712							X	
2	S.O.S.	900 23 002	Angle Brace	4	X	X	X			—
	S.O.S.	900 23 001						X	X	
3	R304363	900 36 177	Washer	12	X	X	X	X	X	2-35
4	S.O.S.	905 16 500	Equalizing Beam, Left Hand (Includes 4A & 4B)	1	X	X	X	X	X	—
	S.O.S.	905 16 501	Equalizing Beam, Right Hand (Includes 4A & 4B)	1	X	X	X	X	X	
4A	R304382A	900 08 139	Bushing, Rubber (Front Pivot)	2	X	X	X	X	X	1-450
4B	R304410A	900 08 149	Bushing, Rubber (Axle Connection)	4	X	X	X	X	X	1-448
5	S.O.S.	905 01 289	Axle Adapter, Left Hand	1	X	X	X	X	X	—
	S.O.S.	905 01 290	Axle Adapter, Right Hand	1	X	X	X	X	X	—
6	R304347	934 00 492	Lock Nut, 3/4"-10 Thd.	4	X	X	X	X	X	2-34
7	R304345	930 03 597	Bolt	4	X	X	X	X	X	1-476, 2-33
8	FS9070*	905 57 131	Air Spring Assembly, Left Hand	1	X					—
	FS9070	905 57 130	Air Spring Assembly, Right Hand	1	X					—
	FS9362	905 57 113	Air Spring Assembly	2		X			X	—
	FS9304	905 57 124					X	X		—
9	R304358	934 00 506	Lock Nut	6	X	X	X	X	X	2-34
10	S.O.S.	900 33 785	Air Spring Mounting Plate & Upper Shock Bracket	2	X	X	X	X	X	—
11	83128	900 44 162	Fleetline Shock Absorber	2	X	X			X	3-14
	85051	900 44 448					X	X		
		900 45 054								
12	R304361	932 01 051	Bolt 1 1/8"-7 x 8 1/2"	4	X	X	X	X	X	1-472, 2-32
13	R304364	932 01 055	Bolt 1 1/8"-7 x 9 1/4"	2	X	X	X	X	X	2-32
14	S.O.S.	936 00 072	Lock Washer, 1/2"	4	X	X	X	X	X	—
15	R309284	900 08 147	Alignment Block	4	X	X	X	X	X	1-472
16	S.O.S.	930 02 893	Cap Screw, 1/2"-13 Thd. x 1"	4	X					—
	S.O.S.	930 02 993	Cap Screw, 1/2"-13 Thd. x 5"	2		X			X	
	S.O.S.	930 03 029	Cap Screw, 1/2"-13 Thd. x 6 1/2"	2			X	X		
17	R301107	934 00 149	Hex Nut, 3/4"-16 Thd.	2	X	X	X	X	X	2-34
18	S.O.S.	936 00 077	Lock Washer, 3/4"	2	X	X	X	X	X	—
19	S.O.S.	934 00 136	Hex Nut, 1/2"-13 Thd.	2	X	X	X	X	X	—
20	R304403 (Rubber)	905 08 004	Bushing	8	X	X	X	X	X	2-53, 3-2
	R308684 (Poly)									2-10, 3-2
21	S.O.S.	900 18 445	Upper Shock Bracket	2	X	X	X	X	X	—
22	S.O.S.	905 19 773	Lower Shock Bracket	2	X	X	X	X	X	—
23	S.O.S.	900 31 182	Gusset	2					X	—
—	R304398A	SRK-145	Pivot Connection Kit, Includes Kit Nos. 4, 4A, 9, 13	1	X	X	X	X	X	1-457
—	R304411A	SRK-149	20" Wheels 5" Round Axle Connection Kit Includes Key Nos. 3, 4B, 9, 12	1	X	X	X	X	X	1-456

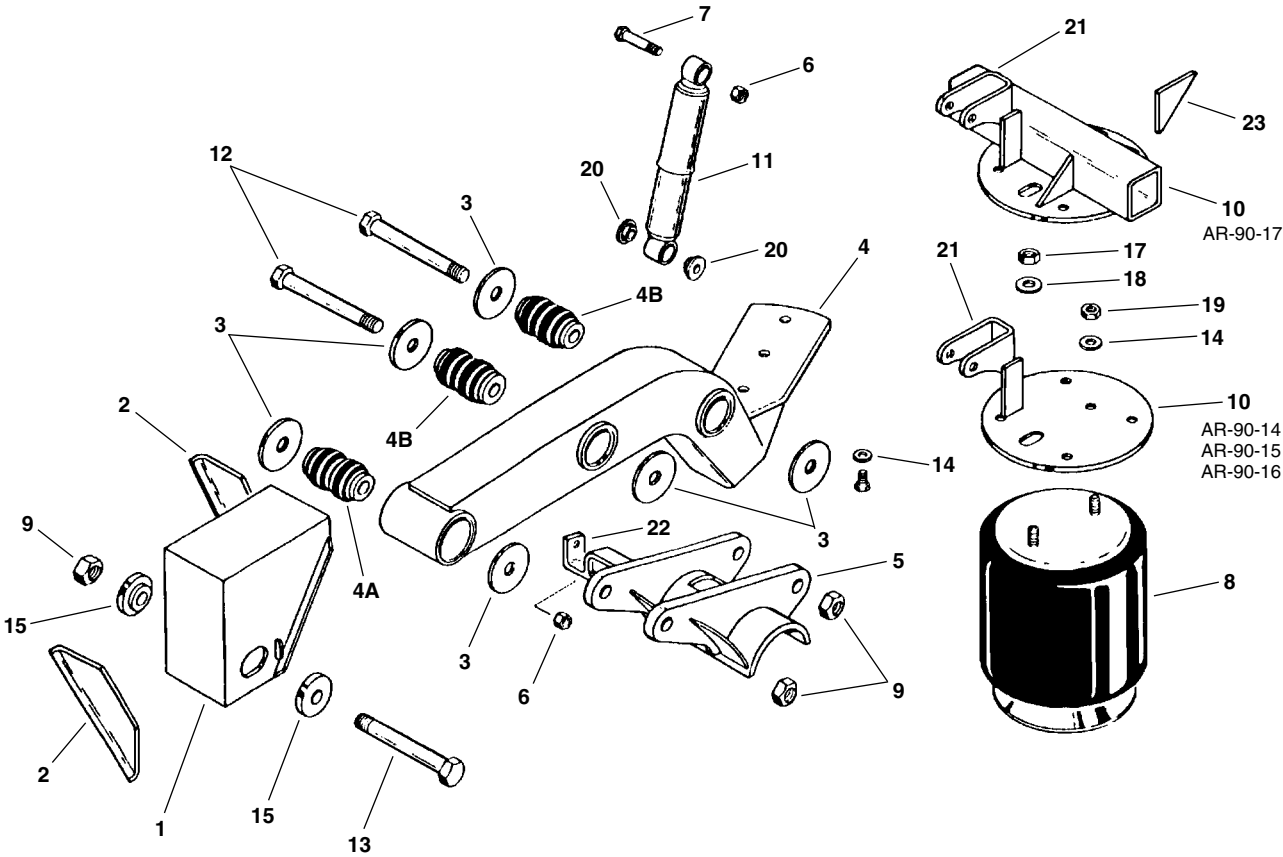
* = Must rotate piston for proper alignment

S.O.S. = Available through Meritor's S.O.S. Department

NEWAY SUSPENSION

AR-90-14, AR-90-15, AR-90-16, AR-90-17 Series Trailer

1



NEWAY SUSPENSION PARTS

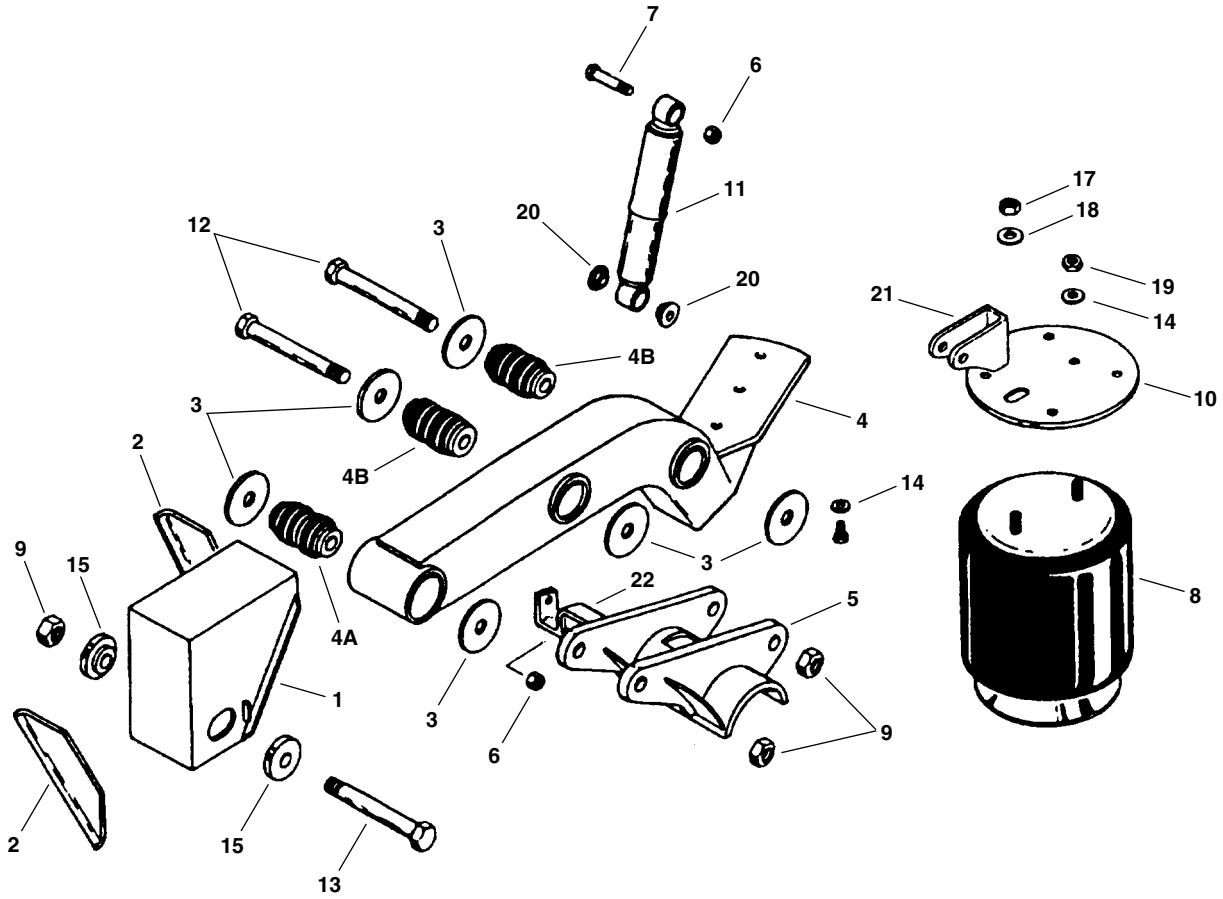
AR-90-14, AR-90-15, AR-90-16, AR-90-17 Series Trailer

KEY NO.	MERITOR NO.	REPLACES NEWAY NO.	DESCRIPTION	QTY. PER AXLE	AR-90-1				PAGE NO.
					14	15	16	17	
1	S.O.S.	905 19 710	Adjustable Frame Bracket	2	X	X			—
	S.O.S.	905 20 235					X		
	S.O.S.	905 19 712						X	
2	S.O.S.	900 23 002	Angle Brace	4	X	X			—
	S.O.S.	900 23 001					X	X	
3	R304363	900 36 177	Washer	12	X	X	X	X	2-35
4	R309532	905 16 112	Equalizing Beam, Left Hand (Includes 4A & 4B)	1	X	X	X	X	1-477
	R309533	905 16 113	Equalizing Beam, Right Hand (Includes 4A & 4B)	1	X	X	X	X	1-477
4A	R304382A	900 08 139	Bushing, Front Pivot	2	X	X	X	X	1-450
4B	R304410A	900 08 149	Bushing , Axle Connection	4	X	X	X	X	1-448
5	S.O.S.	905 01 289	Axle Adapter, Left Hand, 5" Round Axle	1	X	X	X	X	—
	S.O.S.	905 01 290	Axle Adapter, Right Hand, 5" Round Axle	1	X	X	X	X	
6	R304347	934 00 492	Lock Nut, 3/4"-10 Thd.	4	X	X	X	X	2-34
7	R304345	930 03 597	Bolt	4	X	X	X	X	1-476, 2-33
8	FS9243	905 57 112	Air Spring Assembly	2	X	X	X	X	—
9	R304358	934 00 506	Lock Nut	6	X	X	X	X	2-34
10	S.O.S.	900 33 785	Air Spring Mounting Plate & Upper Shock Bracket	2	X	X	X	X	—
11	83124	900 44 089	Fleetline Shock Absorber	2	X	X	X	X	3-14
	89407		GasSLX Shock Absorber						
12	R304361	932 01 051	Bolt	4	X	X	X	X	1-472, 2-32
13	R304364	932 01 055	Bolt	2	X	X	X	X	2-32
14	S.O.S.	936 00 072	Lock Washer, 1/2"	4	X	X	X	X	—
15	R309284	900 08 147	Alignment Block	4	X	X	X	X	1-472
17	R301107	934 00 149	Hex Nut, 3/4"-16 Thd.	2	X	X	X	X	2-34
18	S.O.S.	936 00 077	Lock Washer, 3/4"	2	X	X	X	X	—
19	S.O.S.	934 00 136	Hex Nut, 1/2"-13 Thd.	2	X	X	X	X	—
20	R304403 (Rubber)	905 08 004	Bushing	8	X	X	X	X	2-53, 3-2
	R308684 (Poly)								2-10, 3-2
21	R304343	900 18 116	Upper Shock Bracket	2	X	X	X	X	1-476
22	S.O.S.	905 19 773	Lower Shock Bracket	2	X	X	X	X	—
23	S.O.S.	900 31 182	Gusset	2				X	—
—	R304398A	SRK-145	Pivot Connection Kit, Includes Key Nos. 3, 4A, 9, 13	1	X	X	X	X	1-457
		481 00 202							
—	R304411A	SRK-149	5" Round Axle Connection Kit, Includes Key Nos. 3, 4B, 9, 12	1	X	X	X	X	1-456
		481 00 206							

S.O.S. = Available through Meritor's S.O.S. Department

NEWAY SUSPENSION

AR-92 -12, -14, -15, -16, -17, -18 Series Trailer



1

NEWAY SUSPENSION PARTS

AR-92 -12, -14, -15, -16, -17, -18 Series

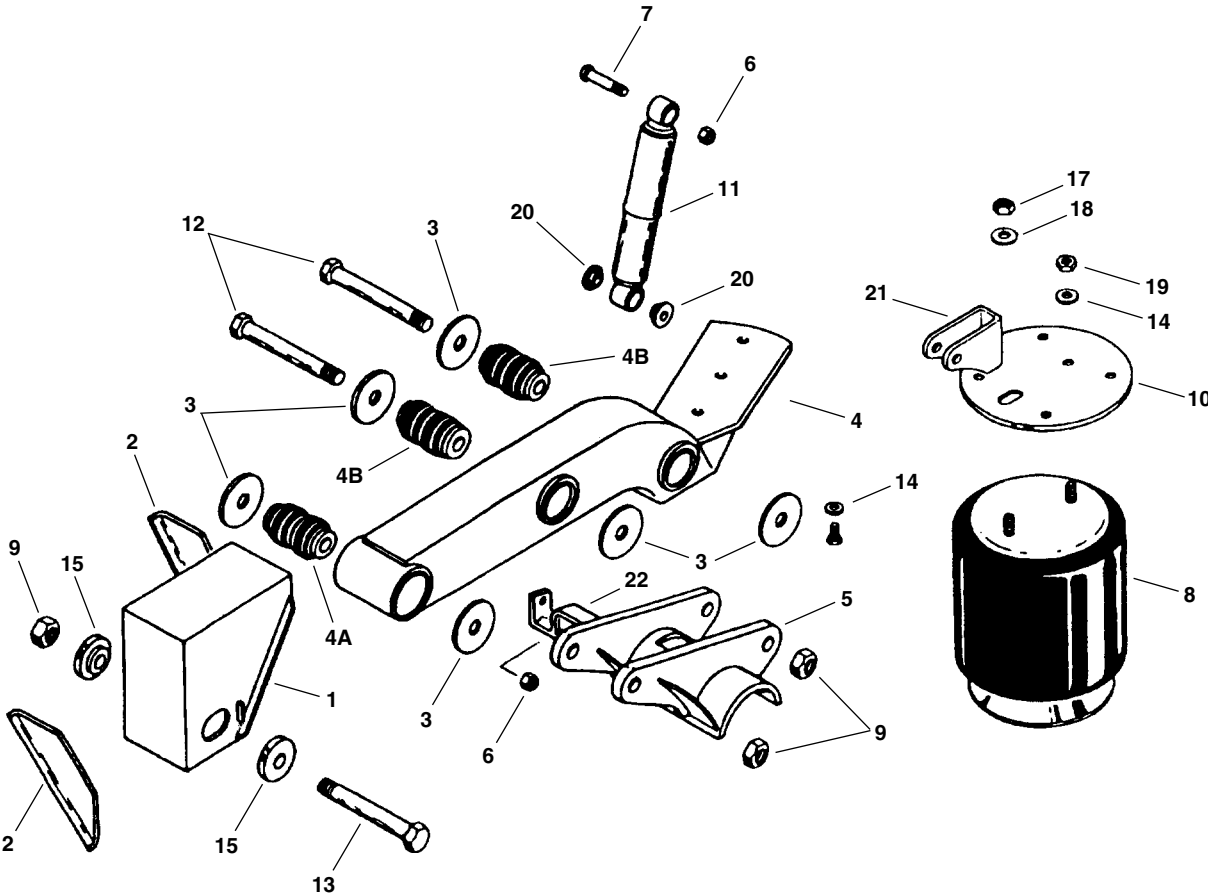
Trailer

KEY NO.	MERITOR NO.	REPLACES NEWAY NO.	DESCRIPTION	QTY. PER AXLE	AR-92						PAGE NO.
					12	14	15	16	17	18	
1	S.O.S.	905 20 383	Frame Bracket, Adjustable	2	X						—
	S.O.S.	905 20 346				X					
	S.O.S.	905 19 710					X				
	S.O.S.	905 20 235						X	X		
	S.O.S.	905 20 385								X	
2	S.O.S.	900 23 002	Angle Brace	4	X	X	X				—
	S.O.S.	900 23 001						X	X	X	
3	R304363	900 36 177	Space Washer	12	X	X	X	X	X	X	2-35
4	S.O.S.	905 16 500	Equalizing Beam, Left Hand	1	X	X	X	X	X	X	—
	S.O.S.	905 16 501	Equalizing Beam, Right Hand	1	X	X	X	X	X	X	—
4A	R304382A	900 08 139	Rubber Bushing, Front Pivot	2	X	X	X	X	X	X	1-450
4B	R304410A	900 08 149	Rubber Bushing, Axle Connection	4	X	X	X	X	X	X	1-448
5	S.O.S.	905 01 289	Axle Adapter, 5" Round Axle, Left Hand	1	X	X	X	X	X	X	—
	S.O.S.	905 01 290	Axle Adapter, 5" Round Axle, Right Hand	1	X	X	X	X	X	X	—
6	R304347	934 00 492	Lock Nut, 3/4"-10 Thd.	4	X	X	X	X	X	X	2-34
7	R304345	930 03 597	Bolt, 3/4"-10 Thd. x 3 1/2"	4	X	X	X	X	X	X	1-476, 2-33
8	FS9921	905 57 117	Air Spring Assembly	2	X	X	X	X	X	X	—
9	R304358	934 00 506	Lock Nut, 1 1/8"-7 Thd.	6	X	X	X	X	X	X	2-34
10	S.O.S.	900 33 785	Air Spring Mounting Plate & Upper Shock Bracket	2	X	X	X	X	X	X	—
11	83128	900 44 162	Fleetline Shock Absorber	2	X						3-14
	83130	900 45 040				X					
	85051	900 45 054					X				
	83127	900 44 794 900 44 642						X			
	83124	900 44 089							X		
	89407		GasSLX Shock Absorber					X			
12	R304361	932 01 051	Bolt, 1 1/8"-7 Thd. x 8 1/2"	4	X	X	X	X	X	X	1-472, 2-32
13	R304364	932 01 055	Bolt, 1 1/8"-7 Thd. x 9 1/4"	2	X	X	X	X	X	X	2-32
14	S.O.S.	936 00 072	Lock Washer, 1/2"	4	X	X	X	X	X	X	—
15	R309284	900 08 147	Alignment Block	4	X	X	X	X	X	X	1-472
17	R301107	934 00 149	Hex Nut, 3/4"-16 Thd.	2	X	X	X	X	X	X	2-34
18	S.O.S.	936 00 077	Lock Washer, 3/4"	2	X	X	X	X	X	X	—
19	S.O.S.	934 00 136	Hex Nut, 1/2"-13 Thd.	2	X	X	X	X	X	X	—
20	R304403	905 08 004	Replacement Bushing, Shock Absorber	8	X	X	X	X	X	X	2-53, 3-2
21	R304343	900 18 116	Upper Shock Bracket	2	X	X	X	X	X	X	1-476
22	S.O.S.	905 19 773	Lower Shock Bracket	2	X	X	X	X	X	X	—
—	R304398A	SRK-145	Pivot Connection Kit	1	X	X	X	X	X	X	1-457
		481 00 202									
—	R304411A	SRK-149	Axle Connection Kit	1	X	X	X	X	X	X	1-456
		481 00 206									

S.O.S. = Available through Meritor's S.O.S. Department

NEWAY SUSPENSION

Models AR-93 -14, -15, -16, -17 Series
Trailer



1

NEWAY SUSPENSION PARTS

Models AR-93 -14, -15, -16, -17 Series

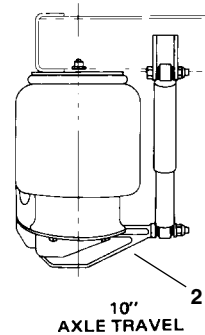
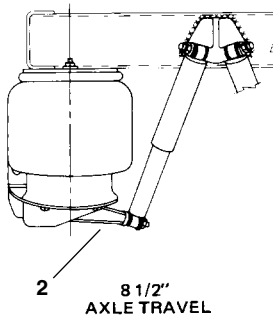
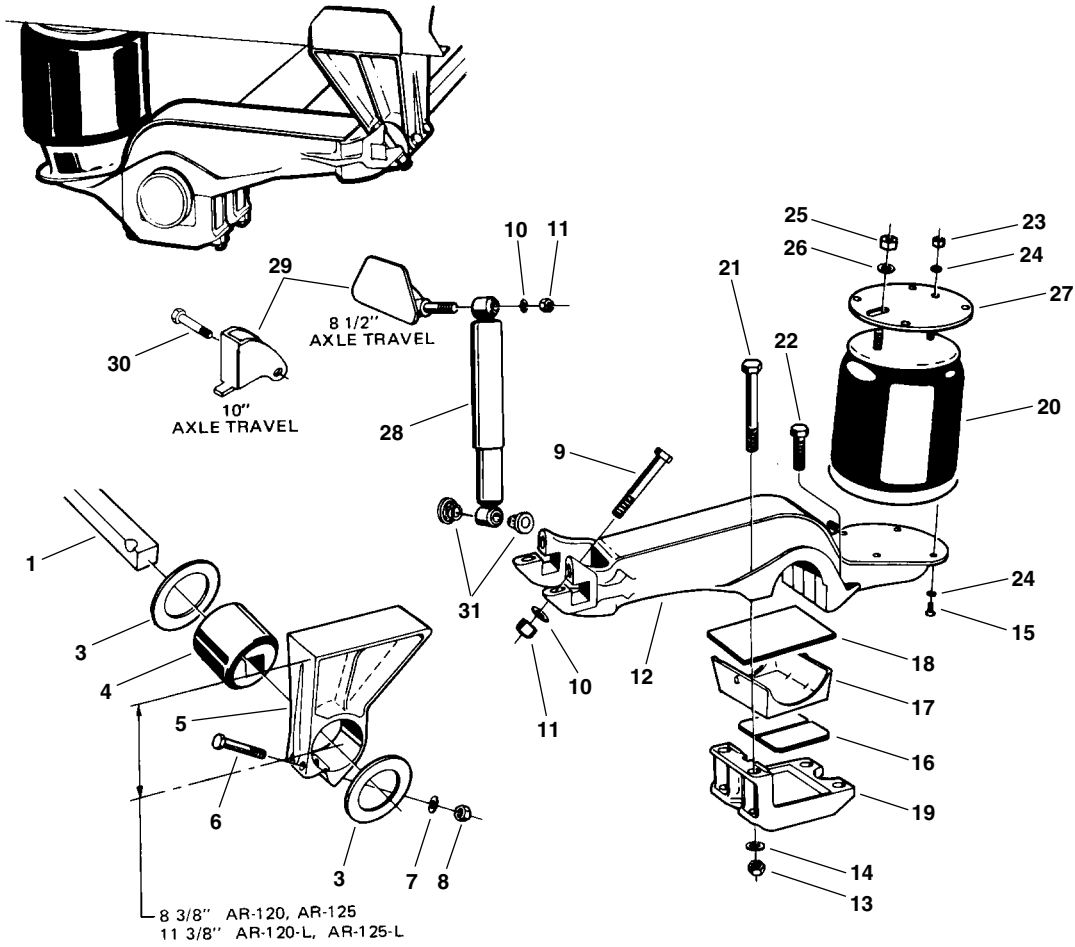
Trailer

KEY NO.	MERITOR NO.	REPLACES NEWAY NO.	DESCRIPTION	QTY. PER AXLE	AR-93				PAGE NO.
					14	15	16	17	
1	S.O.S.	905 20 346	Frame Bracket, Adjustable	2	X				—
	S.O.S.	905 19 710				X			
	S.O.S.	905 20 235					X	X	
2	S.O.S.	900 23 002	Angle Brace	4	X	X			—
	S.O.S.	930 23 001					X	X	
3	R304363	900 36 177	Space Washer	12	X	X	X	X	2-35
4	S.O.S.	905 16 482	Equalizing Beam, Left Hand	1	X	X	X	X	—
	S.O.S.	905 16 483	Equalizing Beam, Right Hand	1	X	X	X	X	
4A	R304382A	900 08 139	Rubber Bushing, Front Pivot	2	X	X	X	X	1-450
4B	R304410A	900 08 149	Rubber Bushing, Axle Connection	4	X	X	X	X	1-448
5	S.O.S.	905 01 289	Axle Adapter, 5" Round Axle, LH	1	X	X	X	X	—
	S.O.S.	905 01 290	Axle Adapter, 5" Round Axle, RH	1	X	X	X	X	
6	R304347	934 00 492	Lock Nut, 3/4"-10 Thd.	4	X	X	X	X	2-34
7	R304345	903 03 597	Bolt, 3/4" -10 Thd. x 3 1/2"	4	X	X	X	X	1-476, 2-33
8	FS9921	905 57 117	Air Spring Assembly	2	X				—
	FS9923	905 57 118				X	X		
	FS9922	905 57 119						X	
9	R304358	934 00 506	Lock Nut, 1 1/8"-7 Thd.	6	X	X	X	X	2-34
10	S.O.S.	900 33 785	Air Spring Mounting Plate & Upper Shock Bracket	2	X	X	X	X	—
11	85051	900 45 054	Fleetline Shock Absorber	2	X				3-14
	83127	900 44 794				X			
		900 44 642					X		
	89407	900 44 089	GasSLX Shock Absorber					X	
12	R304361	932 01 051	Bolt, 1 1/8"-7 Thd. x 8 1/2"	4	X	X	X	X	1-472, 2-32
13	R304364	932 01 055	Bolt, 1 1/8"-7 Thd. x 9 1/4"	2	X	X	X	X	2-32
14	S.O.S.	936 00 072	Lock Washer, 1/2"	4	X	X	X	X	—
15	R309284	900 08 147	Alignment Block	4	X	X	X	X	1-472
17	R301107	934 00 149	Hex Nut, 3/4"-16 Thd.	2	X	X	X	X	2-34
18	S.O.S.	936 00 077	Lock Washer, 3/4"	2	X	X	X	X	—
19	S.O.S.	934 00 136	Hex Nut, 1/2"-13 Thd.	2	X	X	X	X	—
20	R304403	905 08 004	Shock Replacement Bushing	8	X	X	X	X	2-53, 3-2
21	R304343	900 18 116	Upper Shock Bracket	2	X	X	X	X	1-476
22	S.O.S.	905 19 773	Lower Shock Bracket	2	X	X	X	X	—
—	R304398A	SRK-145	Pivot Connection Kit	2	X	X	X	X	1-457
		481 00 202							
—	R304411A	SRK-149	Axle Connection Kit	2	X	X	X	X	1-456
		481 00 206							

S.O.S. = Available through Meritor's S.O.S. Department

NEWAY SUSPENSION

AR-120/120-L, AR-125/125-L Series Trailer



NEWAY SUSPENSION PARTS

AR-120/120-L, AR-125/125-L Series

Trailer

N/A = No Longer Available

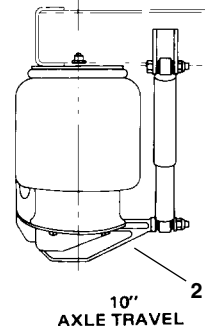
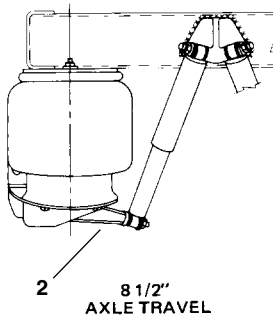
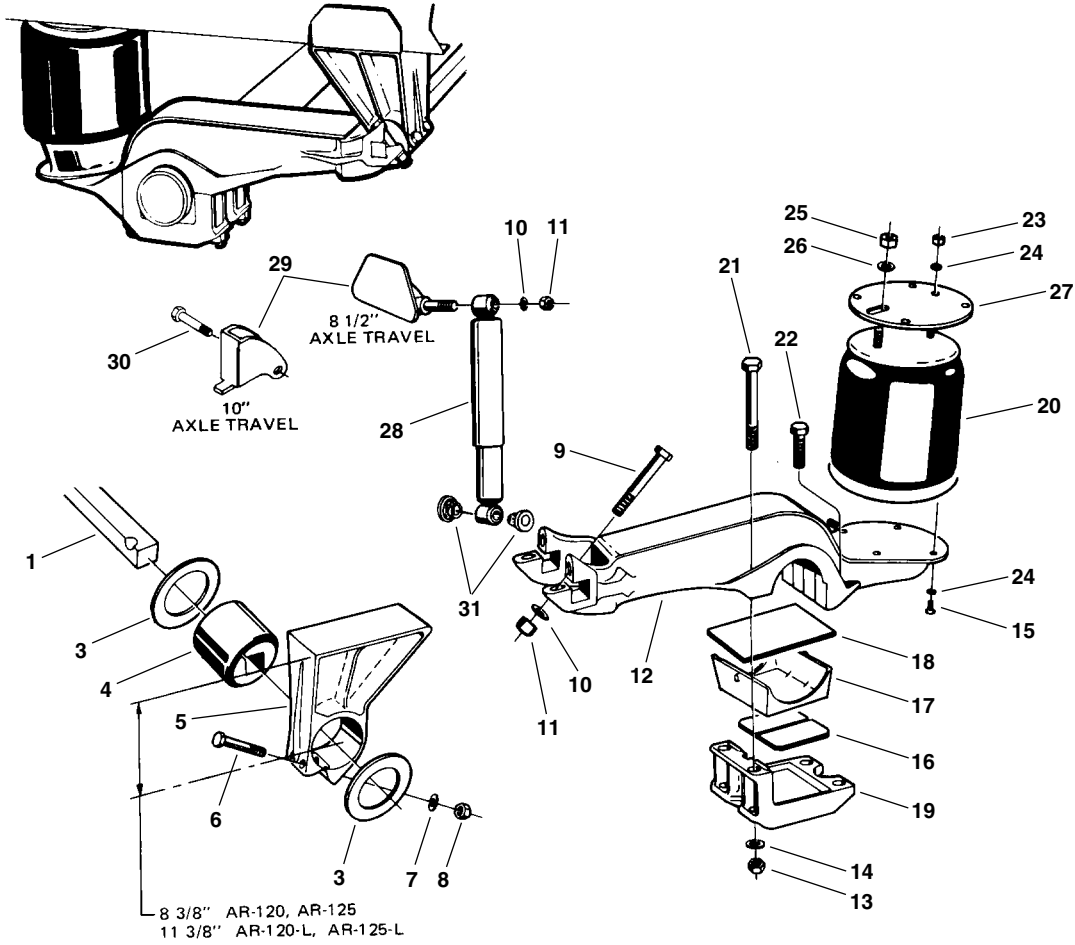
KEY NO.	MERITOR NO.	REPLACES NEWAY NO.	DESCRIPTION	QTY. PER AXLE	AR-				PAGE NO.
					120	120-L	125	125-L	
1	R304405	900 06 003	Bar	1	X	X	X	X	1-450
2	S.O.S.	905 18 008	Lower Shock Mounting Bracket	2	X		X		—
	S.O.S.	905 18 009				X		X	
3	R302959	936 00 035	Washer	4	X	X	X	X	2-35
4	R302998	905 08 001	Bushing	2	X	X	X	X	1-450
5	S.O.S.	900 18 010	Frame Bracket	2	X		X		—
6	S.O.S.	930 03 395	Cap Screw, 5/8"-11 Thd. x 4"	4	X	X	X	X	—
7	R302547	939 00 025	Washer	4	X	X	X	X	2-35
8	R302988	934 00 490	Lock Nut, 5/8"-11	4	X	X	X	X	1-478, 2-34
9	R302989	930 03 633	Bolt, 3/4"-10 x 5" Grade 5	4	X	X	X	X	2-32
10	S.O.S.	936 00 156	Washer, 3/4"	8	X	X	X	X	—
11	R304347	934 00 492	Lock Nut, 3/4"-10 Thd.	8	X	X	X	X	2-34
12	S.O.S.	905 15 009	Equalizing Beam, Left Hand, 5" Round Axle	1	X		X		—
	S.O.S.	905 15 010	Equalizing Beam, Right Hand, 5" Round Axle	1	X		X		—
13	R302983	934 00 496	Lock Nut	8	X	X	X	X	2-34
14	R302546	936 00 162	Washer	8	X	X	X	X	2-35
15	S.O.S.	930 02 893	Cap Screw, 1/2"-13 Thd. x 1" Hex Head	8	X	X	X	X	—
16	R302010 (Rubber)	900 28 016	Pad	2	X	X	X	X	1-451
	R308674 (Poly)								1-451, 2-10
17	R304289	900 01 082	Adapter, 5" Round Axle	2	X	X	X	X	1-466
	R304290	900 01 083	Adapter, 5" Square Axle		X	X	X	X	1-467
18	R302009 (Rubber)	900 28 007	Wrapper, Round Axle	2	X	X	X	X	1-451
	R308673 (Poly)								1-451, 2-9
	R302944								900 28 005
19	N/A	900 10 001	Axle Cap, 5" Round Axle	2	X	X	X	X	1-451
20	FS9082	905 57 027	Air Spring Assembly, 2 Stud Top	2	X				—
	FS9101	905 57 009				X			
	FS9177	905 57 003	Air Spring Assembly, 4 Stud Top				X		
	FS9158	905 57 005						X	
21	S.O.S.	939 00 178	Bolt, 7/8"-9 Thd. x 6"	4	X	X	X	X	—
22	R302981	932 00 754	Bolt, 7/8"-9 Thd. x 2 3/4"	4	X	X	X	X	2-32
23	S.O.S.	934 00 136	Hex Nut, 1/2"-13 Thd.	8	X	X	X	X	—
24	S.O.S.	936 00 072	Lock Washer	16	X	X	X	X	—
25	R301107	934 00 149	Hex Nut, 3/4"-16 Thd.	2	X	X	X	X	2-34
26	S.O.S.	936 00 077	Lock Washer, 3/4"	2	X	X	X	X	—
27	R304321	900 31 027	Air Spring Mounting Plate	2	X	X	X	X	1-475
28	83126	900 44 626	Fleetline Shock Absorber	2	X	X	X	X	3-13
	89430		GasSLX Shock Absorber						

S.O.S. = Available through Meritor's S.O.S. Department

Continued on next page

NEWAY SUSPENSION

AR-120/120-L, AR-125/125-L Series Trailer



NEWAY SUSPENSION PARTS

AR-120/120-L, AR-125/125-L Series

Trailer

KEY NO.	MERITOR NO.	REPLACES NEWAY NO.	DESCRIPTION	QTY. PER AXLE	AR-				PAGE NO.
					120	120-L	125	125-L	
29	R304339	905 18 011	Bracket	1	X		X		1-476
	S.O.S.	900 18 301	Bracket	2		X		X	
30	R304345	930 03 597	Bolt, Use With Neway 900 18 301 Bracket	2		X		X	1-476, 2-33
31	R304403 (Rubber)	905 08 004	Bushing, 4 Per Shock	8	X	X	X	X	2-53, 3-2
	R308684 (Poly)								2-10, 3-2
—	R302984A	SRK-15	5" Round Axle Connection Kit, Old Style Includes Key Nos. 13, 14, 16, 18, 21, 22	1	X	X	X	X	1-455
		481 00 016							
—	R302985A	SRK-71	5" Round Axle Connection Kit, New Style Includes Key Nos. 13, 14, 16, 18, 21, 22,	1	X	X	X	X	1-455

S.O.S. = Available through Meritor's S.O.S. Department

1

If you detect any **errors** in this Catalog, please let us know.



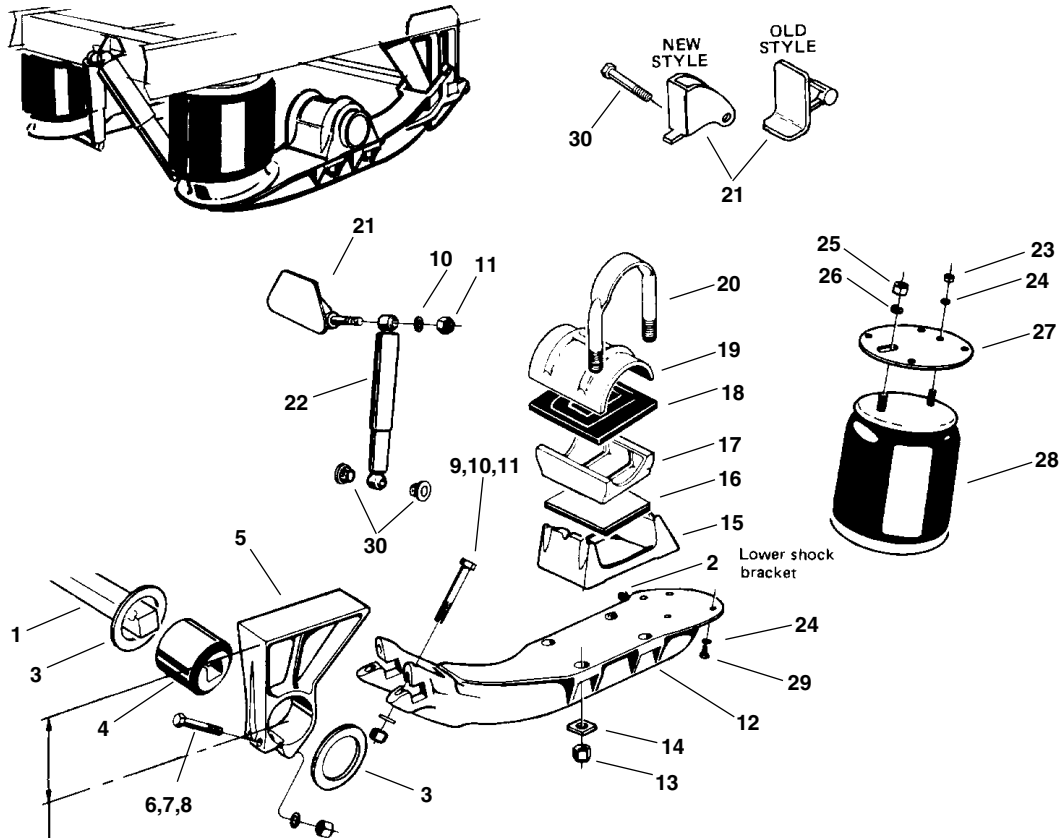
We want the information to be as accurate as possible; we appreciate your help in making it so.

Write or call:

Catalog Corrections
ArvinMeritor, Inc.
7975 Dixie Highway
Florence, KY 41042-2754
catalogfeedback@arvinmeritor.com

NEWAY SUSPENSION

AR-120-US, AR-125-US, AR-120-US-L, AR-125-US-L Series Trailer

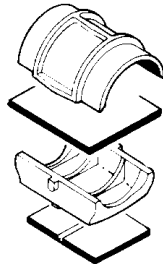


AR-120/125-US.....8 3/8"
 AR-120/125-US-L11 3/8"
 LONG TRAVEL MODELS

NOTE: For 15" wheel axle connection parts, with cam on horizontal centerline, refer to 15" WHEEL AXLE CONNECTION on last page of this section.

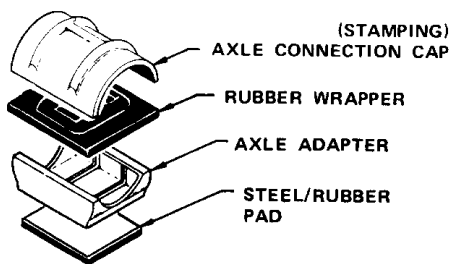
OLD STYLE

5" Rd. (Shown) & 5" Sq.



NEW STYLE

5" Rd. (all parts) & 5" Sq. (axle adapter & pad)



NEWAY SUSPENSION PARTS

AR-120-US, AR-125-US, AR-120-US-L, AR-125-US-L Series

Trailer

KEY NO.	MERITOR NO.	NEWAY REPLACES NO.	DESCRIPTION	PER QTY. AXLE	AR-				PAGE NO.
					120-US	125-US	120-US-L -1,-2,-3	125-US-L -1,-2,-3	
1	R304405	900 06 003	Torsion Bar, 42 7/8"	1	X	X	X	X	1-450
2	S.O.S.	905 18 008	Bracket	2	X	X			—
	R304341	905 18 027					X	X	—
3	R302959	936 00 035	Washer	4	X	X	X	X	2-35
4	R302998	905 08 001	Bushing	2	X	X	X	X	1-450
5	S.O.S.	900 18 010	Frame Bracket	2	X	X			—
	S.O.S.	900 18 011					X	X	
6	S.O.S.	930 03 389	Bolt, 5/8"-11 Thd. x 3 1/2"	4	X	X	X	X	—
7	R302547	939 00 025	Washer	4	X	X	X	X	2-35
8	R302988	934 00 490	Lock Nut, 5/8"-11 Thd.	4	X	X	X	X	1-478, 2-34
9	R302989	930 03 633	Bolt	4	X	X	X	X	2-32
10	R302545	936 00 156	Washer	8	X	X	X	X	2-35
11	S.O.S.	934 00 492	Lock Nut, 3/4"-10 Thd.	8	X	X	X	X	—
12	R309530	905 15 026	Equalizing Beam, Left Hand	1	X	X			1-477
	S.O.S.	905 15 021					X	X	—
	R309531	905 15 027	Equalizing Beam, Right Hand	1	X	X			1-477
	S.O.S.	905 15 022					X	X	—
13	R304421	934 00 502	Lock Nut	8	X	X	X	X	2-34
14	R302960	936 00 028	Washer	8	X	X	X	X	1-473, 2-35
15	R304292	900 01 006	Axle Seat	2	X	X	X	X	1-468
	R304293	900 01 119			X	X			1-468
	S.O.S.	900 01 007					X	X	—
	S.O.S.	900 01 008					X	X	—
16	R302947A (Rubber)	900 28 075	Axle Pad (New Style)	2	X	X	X	X	1-452
	R308680 (Poly)								1-452, 2-10
	R302010 (Rubber)	900 28 016	Axle Pad (Old Style)		X	X	X	X	1-451
	R308674 (Poly)								1-451, 2-10
17	R304289	900 01 082	Adapter, 5" Round Axle	2	X	X	X	X	1-466
	R304290	900 01 083	Adapter, 5" Square Axle		X	X	X	X	1-467
18	R302943 (Rubber)	900 28 047	Wrapper, Round Axle	2	X	X	X	X	1-451
	R308678 (Poly)								1-451, 2-9
	R302009 (Rubber)	900 28 007	Wrapper, Round Axle		X	X	X	X	1-451
	R308673 (Poly)				1-451, 2-9				
	R304409 (Rubber)				900 28 073	Wrapper, Square Axle	X	X	X
19	R304282	900 10 032	Axle Cap, 5" Round Axle	2	X	X	X	X	1-466
	R304283	900 10 022	Axle Cap, 5" Square Axle		X	X	X	X	1-466
20	R30U8479-090	900 41 878	U-Bolt Assembly, Flat Rd. Bend, 1"-14 Thd. x 6 5/16" Wide x 9" Long	4	X	X	X	X	2-30
	R30U8578-094	900 41 997	U-Bolt Assembly, Flat Sq. Bend, 1"-14 Thd. x 6 5/16" Wide x 9 1/2" Long		X	X	X	X	2-30
	R30U8479-124A	900 41 886	U-Bolt Assembly, Flat Rd. Bend, 1"-14 Thd. x 6 5/16" Wide x 12 1/2" Long				X	X	2-30
	R30U8479-124A	900 42 792	U-Bolt Assembly, Flat Rd. Bend, 1"-14 Thd. x 6 5/16" Wide x 12 1/2" Long				X	X	2-30
	R30U8578-124A	900 42 795	U-Bolt Assembly, Flat Sq. Bend, 1"-14 Thd. x 6 5/16" Wide x 12 1/2" Long				X	X	2-30

S.O.S. = Available through Meritor's S.O.S. Department

* = Included on Model AR-120-US-L-3 only

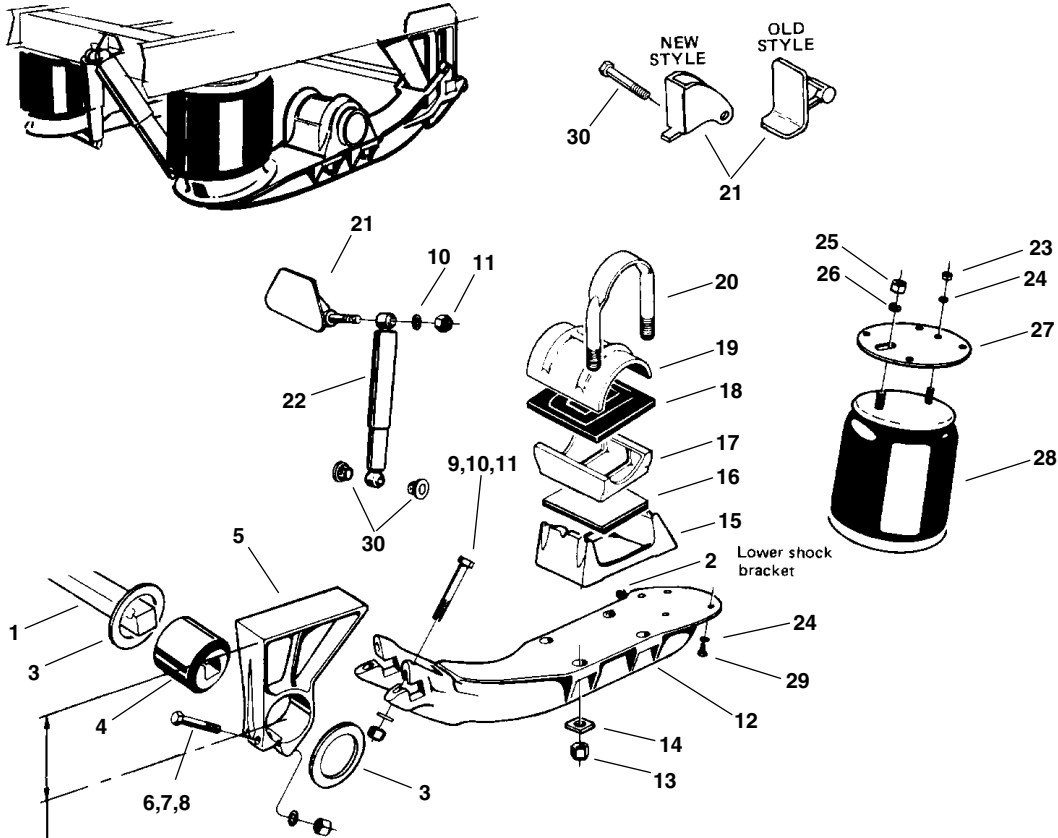
y = Included on Model AR-120-US-L-1 only

z = Included on Model AR-120-US-L-2 only

Continued on next page

NEWAY SUSPENSION

AR-120-US, AR-125-US, AR-120-US-L, AR-125-US-L Series Trailer

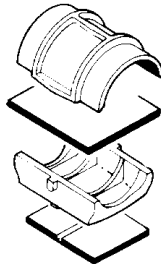


AR-120/125-US8 3/8"
 AR-120/125-US-L ...11 3/8"
 LONG TRAVEL MODELS

NOTE: For 15" wheel axle connection parts, with cam on horizontal centerline, refer to 15" WHEEL AXLE CONNECTION on last page of this section.

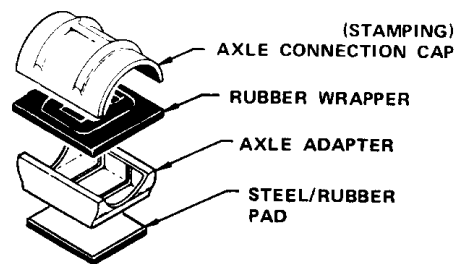
OLD STYLE

5" Rd. (Shown) & 5" Sq.



NEW STYLE

5" Rd. (all parts) & 5" Sq. (axle adapter & pad)



NEWAY SUSPENSION PARTS

AR-120-US, AR-125-US, AR-120-US-L, AR-125-US-L Series Trailer

KEY NO.	MERITOR NO.	NEWAY REPLACES NO.	DESCRIPTION	PER QTY. AXLE	AR-				PAGE NO.
					120-US	125-US	120-US-L -1,-2,-3	125-US-L -1,-2,-3	
21	R304339	905 18 011	Bracket	1	X	X			1-476
	S.O.S.	900 18 301	Bracket	2			X	X	—
22	83126	900 44 626	Fleetline Shock Absorber	2	X	X			3-13
	89430		GasSLX Shock Absorber						
23	S.O.S.	934 00 136	Hex Nut, 1/2"-13 Thd.	8	X	X	X	X	—
24	S.O.S.	936 00 072	Lock Washer, 1/2"	16	X	X	X	X	—
25	S.O.S.	934 00 149	Hex Nut, 3/4"-16 Thd.	2	X	X	X	X	—
26	S.O.S.	936 00 077	Lock Washer, 3/4"	2	X	X	X	X	—
27	R304321	900 31 027	Plate	2	X	X	X	X	1-475
28	FS9082	905 57 027	Air Spring Assembly	2	X				—
	FS9101	905 57 009					X		
	FS9177	905 57 003				X			
	FS9158	905 57 005						X	
29	S.O.S.	930 02 893	Cap Screw, 1/2"-13 Thd. x 1"	8	X	X	X	X	—
30	R304403 (Rubber)	905 08 004	Bushing	8	X	X	X	X	2-53, 3-2
	R308684 (Poly)								2-10, 3-2
31	R304345	930 03 597	Bolt	2			X	X	1-476, 2-33
—	S.O.S.	SRK-11 481 00 022	Pivot Connection Kit (If Torsion Bar is Required)	1	X	X	X	X	—
	R302992A	SRK-11A 481 00 132	Pivot Connection Kit (If Torsion Bar is Not Required)		X	X	X	X	1-459
—	R302978A	SRK-4	5" Round Axle Connection Kit (Old Style) Includes Key Nos. 13, 14, 16, 18, 20	1	X	X	*	*	1-453
	R302977A	SRK-64 481 00 108	5" Round Axle Connection Kit (New Style) Includes Key Nos. 13, 14, 16, 18, 20		X	X	*	*	1-453
	R306898	SRK-68 481 00 112	5" Square Axle Connection Kit (New Style) Includes Key Nos. 13,14,16,18,20		X	X	*	*	1-454
	R302979A	SRK-126	5" Round Axle Connection Kit (Old Style) Includes Key Nos. 13, 14, 16, 18, 20				y	y	1-454
	R304390	SRK-128 481 00 181	5" Round Axle Connection Kit(New Style) Includes Key Nos. 13, 14, 16, 18, 20				y	y	1-454
	S.O.S.	SRK-129	5" Square Axle Connection Kit (New Style) Includes Key Nos. 13, 14, 16, 18, 20				y	y	—
	S.O.S.	SRK-6	5" Round Axle Connection Kit (Old Style) Includes Key Nos. 13, 14, 16, 18, 20				z	z	—
	S.O.S.	SRK-66 481 00 110	5" Round Axle Connection Kit (New Style) Includes Key Nos. 13, 14, 16, 18, 20				z	z	—
	S.O.S.	SRK-70	5" Square Axle Connection Kit (New Style) Includes Key Nos. 13, 14, 16, 18, 20				z	z	—

S.O.S. = Available through Meritor's S.O.S. Department

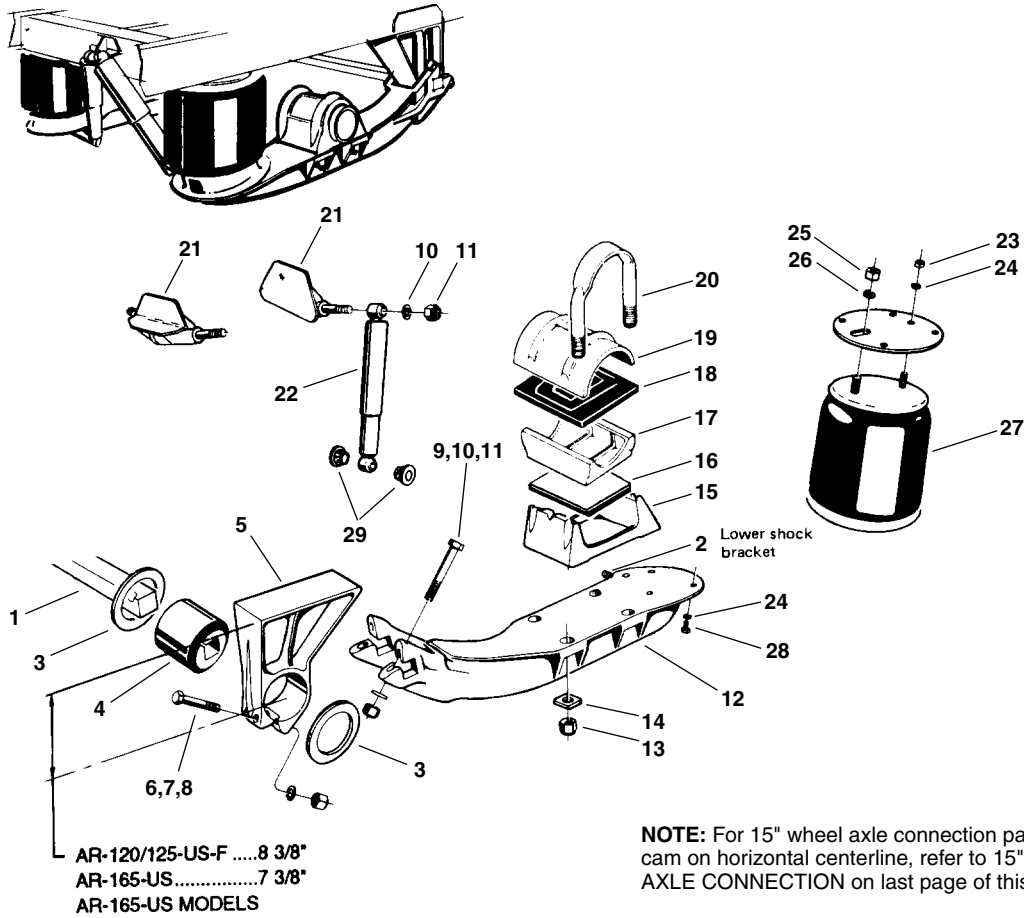
* = Included on Model AR-120-US-L-3 only

y = Included on Model AR-120-US-L-1 only

z = Included on Model AR-120-US-L-2 only

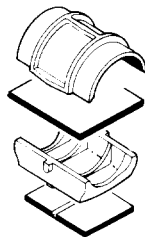
NEWAY SUSPENSION

AR-165-US Series Trailer



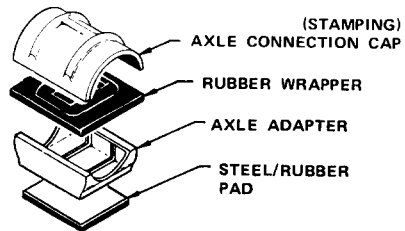
OLD STYLE

5" Rd. (Shown) & 5" Sq.



NEW STYLE

5" Rd. (all parts) & 5" Sq. (axle adapter & pad)



NEWAY SUSPENSION PARTS

AR-165-US Series

Trailer

N/A = No Longer Available

KEY NO.	MERITOR NO.	REPLACES NEWAY NO.	DESCRIPTION	QTY. PER AXLE	PAGE NO.
1	R304406	900 06 034	Torsion Bar, 45 3/4"	1	1-450
2	S.O.S.	905 18 042	Lower Shock Mounting Bracket, Left Hand	1	—
	S.O.S.	905 18 043	Lower Shock Mounting Bracket, Right Hand	1	
3	R302959	936 00 035	Washer, 3 1/2"	4	2-35
4	R302998	905 08 001	Bushing	2	1-450
5	N/A	900 18 004	Frame Bracket	2	—
6	S.O.S.	930 03 383	Bolt	4	—
7	R302547	939 00 025	Washer	4	2-35
8	R302988	934 00 490	Lock Nut	4	1-478, 2-34
9	R302989	930 03 633	Bolt	4	2-32
10	R302545	936 00 156	Washer	8	2-35
11	R304347	934 00 492	Lock Nut, 3/4"-10 Thd.	8	2-34
12	S.O.S.	905 15 030	Equalizing Beam, Left Hand	1	—
	S.O.S.	905 15 031	Equalizing Beam, Right Hand	1	—
13	R304421	934 00 502	Lock Nut	8	2-34
14	R302960	936 00 028	Washer	8	1-473, 2-35
15	S.O.S.	900 01 008	Axle Seat	2	—
16	R302947A (Rubber)	900 28 075	Pad	2	1-452
	R308680 (Poly)	900 28 075			1-452, 2-10
	R302010 (Rubber)	900 28 016			1-451
	R308674 (Poly)	900 28 016			1-451, 2-10
17	R304289	900 01 082	Adapter	2	1-466
	R304290	900 01 083			1-467
18	R302943 (Rubber)	900 28 047	Wrapper, Round Axle	2	1-451
	R308678 (Poly)				1-451, 2-9
	R302009 (Rubber)	900 28 007	Wrapper, Round Axle		1-451
	R308673 (Poly)				1-451, 2-9
	R304409 (Rubber)	900 28 073	Wrapper, Square Axle		1-451
19	R304282	900 10 032	Axle Cap	2	1-466
	R304283	900 10 022	Axle Cap		
20	R30U8479-124A	900 42 792	U-Bolt Assembly, Flat Rd. Bend, 1"-8 Thd. x 6 5/16" Wide x 12 1/2" Long	4	2-30
	R30U8578-124A	900 42 795	U-Bolt Assembly, Flat Sq. Bend, 1"-14 Thd. x 6 5/16" Wide x 12 1/2" Long		2-30
21	S.O.S.	905 18 041	Upper Shock Mounting Bracket	1	—
22	83126	900 44 626	Fleetline Shock Absorber	2	3-13
	89430		GasSLX Shock Absorber		
23	S.O.S.	934 00 136	Hex Nut, 1/2"-13 Thd.	8	—
24	S.O.S.	939 00 072	Lock Washer, 1/2"	16	—
25	R301107	934 00 149	Hex Nut, 3/4"-16 Thd.	2	2-34
26	S.O.S.	936 00 077	Lock Washer, 3/4"	2	—
27	FS9082	905 57 027	Air Spring Assembly	2	—
28	S.O.S.	930 02 893	Cap Screw, 1/2"-13 Thd.	8	—
29	R304403 (Rubber)	905 08 004	Bushing	8	2-53, 3-2
	R308684 (Poly)				2-10, 3-2
—	R302979A	SRK-126	5" Round Axle Connection Kit (Old Style) Includes Key Nos. 13, 14, 16, 18, 20	1	1-454
—	R304390	SRK-128	5" Round Axle Connection Kit (New Style) Includes Key Nos. 13, 14, 16, 18, 20	1	1-454
—	S.O.S.	SRK-129	5" Square Axle Connection Kit (New Style) Includes Key Nos. 13, 14, 16, 18, 20	1	—

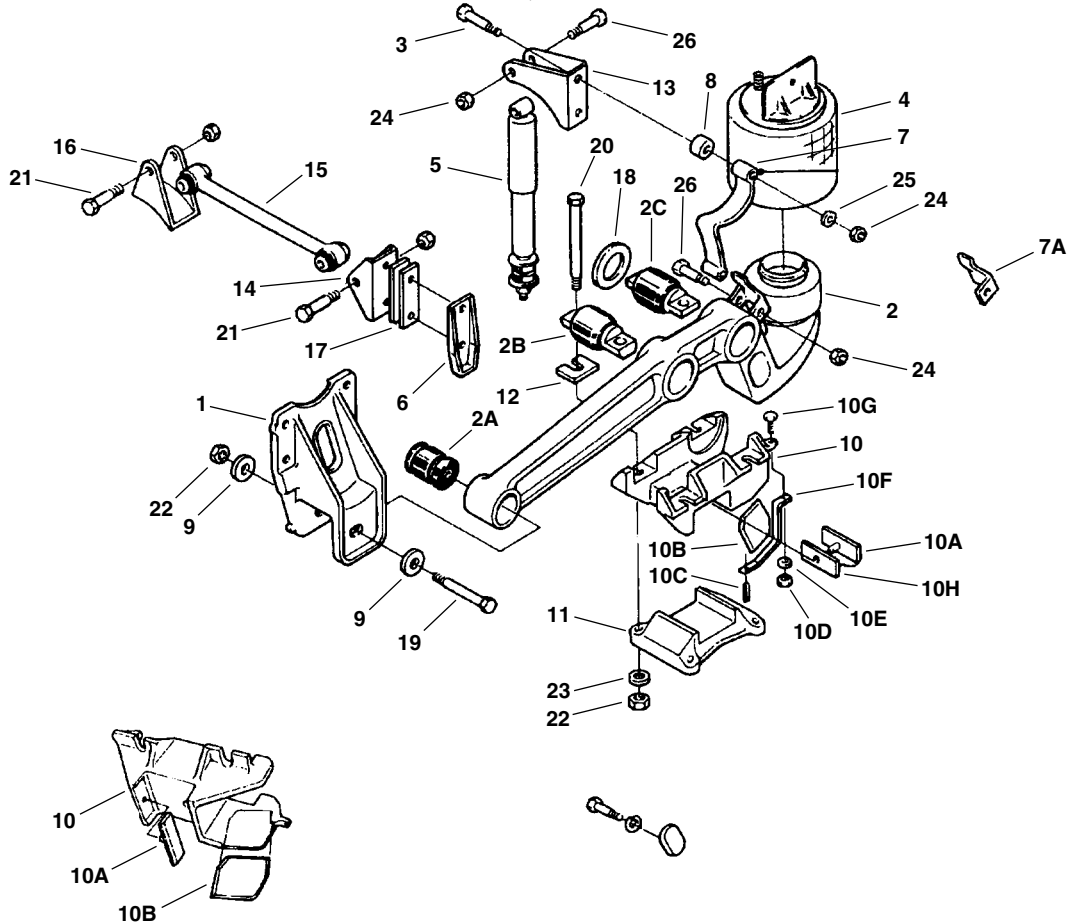
S.O.S. = Available through Meritor's S.O.S. Department

Contact Customer Care
USA - 1-888-725-9355 CANADA - 800-387-3889

XpresswayPlus.ArvinMeritor.com

NEWAY ARDAB "AIR BEAM" SERIES

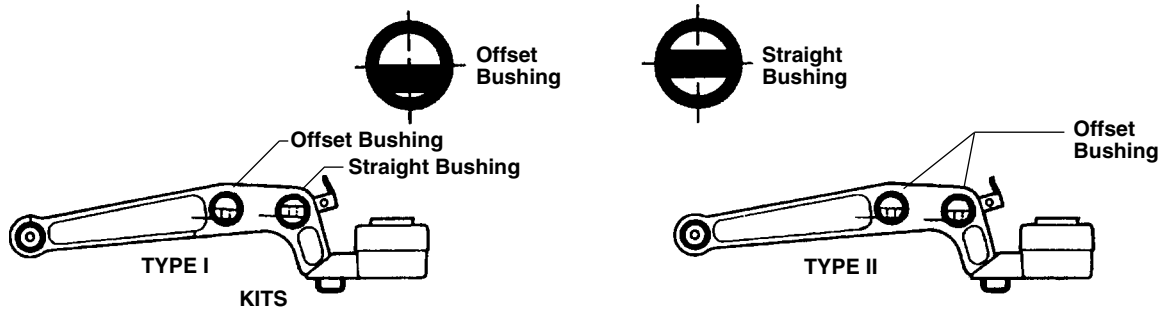
Models -120-5, -240-5



"AIR BEAM" IDENTIFICATION

When ordering an equalizing beam, axle bushings or axle shims, the correct beam type (I or II) must be specified so that it will fit and maintain the correct pinion angle. Further, the correct type and number of shims must be installed in each bushing location to complete the assembly.

To determine the beam type, check the type of bushings used by comparing those in the beam to those shown on this page. If the rear bushing is straight, it is a Type I beam; if bushing is offset it is a Type II beam.



MERITOR NO.	APPLICATION
R309295	Pivot Connection Kit - with Alignment Blocks
R309296	Axle Connection Kit - Type I Beam
R309297	Axle Connection Kit - Type II Beam
R309299	Beam Wear Pad Kit

NEWAY ARDAB "AIR BEAM" PARTS

KEY NO.	MERITOR NO.	REPLACES NEWAY NO.	DESCRIPTION	QTY. PER AXLE	ARDAB		PAGE NO.
					-125	-240-5 ^①	
1	S.O.S.	900 18 475	Frame Bracket Assembly	2	X	X	—
2	S.O.S.	—	Equalizing Beam Right Hand & Left Hand, Includes Key Nos. 2A-2C	1	X	X	—
2A	R309286	900 08 165	Hanger Pivot Bushing	2	X	X	1-464
2B	R309287	900 08 169	Type I Rear Beam Bushing, Straight	2	X	X	1-464
	R309288	900 08 172	Type I Front Beam Bushing, Offset	2	X	X	1-464
2C	R309288	900 08 172	Type II Front & Rear Beam Bushing, Offset	4	X	X	1-464
3	R302989	930 03 633	Bolt, 3/4"-10 Thd. x 5"	2	X	X	2-32
4	FS9268	905 57 123	Air Spring	2	X	X	—
5	83635	900 44 907	Fleetline Shock Absorber Assembly	2	X	X	3-14
6	S.O.S.	900 44 871	Axle Stop	2	X	X	—
7	R309289	900 44 882	Down Strap	2	X	X	1-475
7A	S.O.S.	905 20 245	Down Strap Guide, Left Hand	1	X	X	—
	S.O.S.	905 20 246	Down Strap Guide, Right Hand	1	X	X	—
8	S.O.S.	900 36 159	Boss (Upper Strap Attachment)	2	X	X	—
9	Part of R309295	900 08 166	Alignment Blocks	4	X	X	1-458
10	S.O.S.	905 01 191	Upper Axle Clamp Casting, Left Hand,	1	X	X	—
	S.O.S.	905 01 199	Upper Axle Clamp Casting, Right Hand, Includes Key Nos. 10A-10G	1	X	X	—
10A	R309290	900 44 887	Plastic Shim	2	X	X	1-470
10B	Part of R309299	900 44 883	Adapter Wear Pad, Left Hand	1	X	X	1-470
		900 44 884	Adapter Wear Pad, Right Hand	1	X	X	
10C	Part of R309299	939 00 214	Spring Pin	2	X	X	1-470
10D	Part of R309299	934 00 060	Lock Nut, 1/4"-20 Thd.	2	X	X	
10E	Part of R309299	936 09 112	Flat Washer, 1/4"	2	X	X	
10F	Part of R309299	900 24 932	Retainer	2	X	X	
10G	Part of R309299	930 02 353	Cap Screw, 1/4"-20 Thd. x 1"	2	X	X	
10H ^②	R309291	900 33 376	Steel Shim	2	X	X	
11	S.O.S.	900 01 136	Lower Axle Clamp Casting, Right Hand	1	X	X	—
	S.O.S.	900 01 137	Lower Axle Clamp Casting, Left Hand	1	X	X	
12	S.O.S.	900 33 361	Shims, Axle Connections	—	X	X	—
13	S.O.S.	900 24 926	Upper Shock Bracket	2	X	X	—
14	S.O.S.	900 18 472	Track Bar Frame Bracket	1	X	X	—
15 ^③	S.O.S.	900 44 972	Track Bar, Bearing Style	1	X	X	—
16	S.O.S.	900 44 874	Track Bar Axle Bracket	1	X	X	—
17	S.O.S.	900 36 160	Shims, Track Bar Frame Bracket	1	X	X	—
18	Part of R309295, R309297, R309299	939 00 212	Wear Washers, Rear Axle Bushing	2	X	X	1-458, 1-456, 1-470
19	Part of R309295	930 03 905	Cap Screw, 7/8"-9 Thd. x 7 1/2"	2	X	X	1-458
20	Part of R309296, R309297	939 00 213	Cap Screw, 7/8"-9 Thd. x 12 1/2"	8	X	X	1-455, 1-456
21	R303696	930 03 831	Cap Screw, 7/8"-9 Thd. x 4 1/2"	2	X	X	2-32
22	Part of R309295, R309296, R309297	93400498	Lock Nut, 7/8"-9 Thd.	12	X	X	1-458, 1-456, 1-470
23	R302546	936 00 162	Flat Washer, 7/8"	16	X	X	2-35
24	R304347	934 00 492	Lock Nut, 3/4"-10 Thd.	6	X	X	2-34
25	R302545	936 00 157	Washer, 3/4" (2" O.D.)	2	X	X	2-35
26	S.O.S.	930 03 603	Cap Screw, 3/4"-10 Thd. x 3 3/4"	4	X	X	—
—	R309295	SRK-188-1 481 00 253	Pivot Connection Kit	1	X	X	1-458
—	R309296	SRK-189 481 00 246	Axle Connection Kit, Type I Beam	1	X	X	1-458
—	R309297	SRK-190 481 00 247	Axle Connection Kit, Type II beam	1	X	X	1-456
—	145054	SRK-191	Shock Absorber Bushing Kit	2	X	X	3-2
—	R309299	SRK-192 481 00 249	Beam Wear Kit	—	X	X	1-470

S.O.S. = Available through Meritor's S.O.S. Department

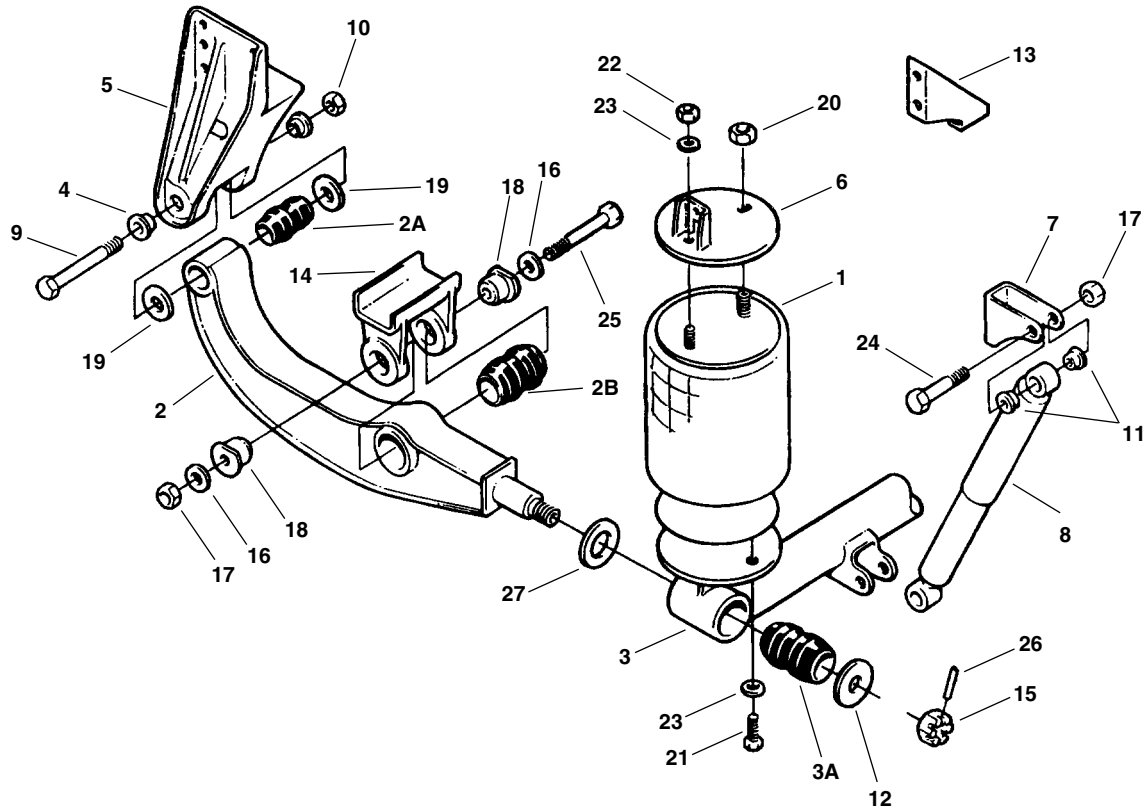
① = For ARDAB-240-5 Tandem model, double the quantity per axle required

② = Neway Steel Shim No. 90033376 used in Upper Axle Clamp Casting No. 90501184 and 90501185

③ = Neway No. 90044877 Std. Track Bar (Rubber Bushed); 90045017 Ford Only Track Bar (Special Ends)

NEWAY ARDST/ARDSTM & L SERIES

Models -123-6, -244-6, -246-6



KITS

PART NO.	APPLICATION
R309300A	Pivot Connection Kit
R304387	Axle Connection Kit
R309301	Transverse Beam Connection Kit

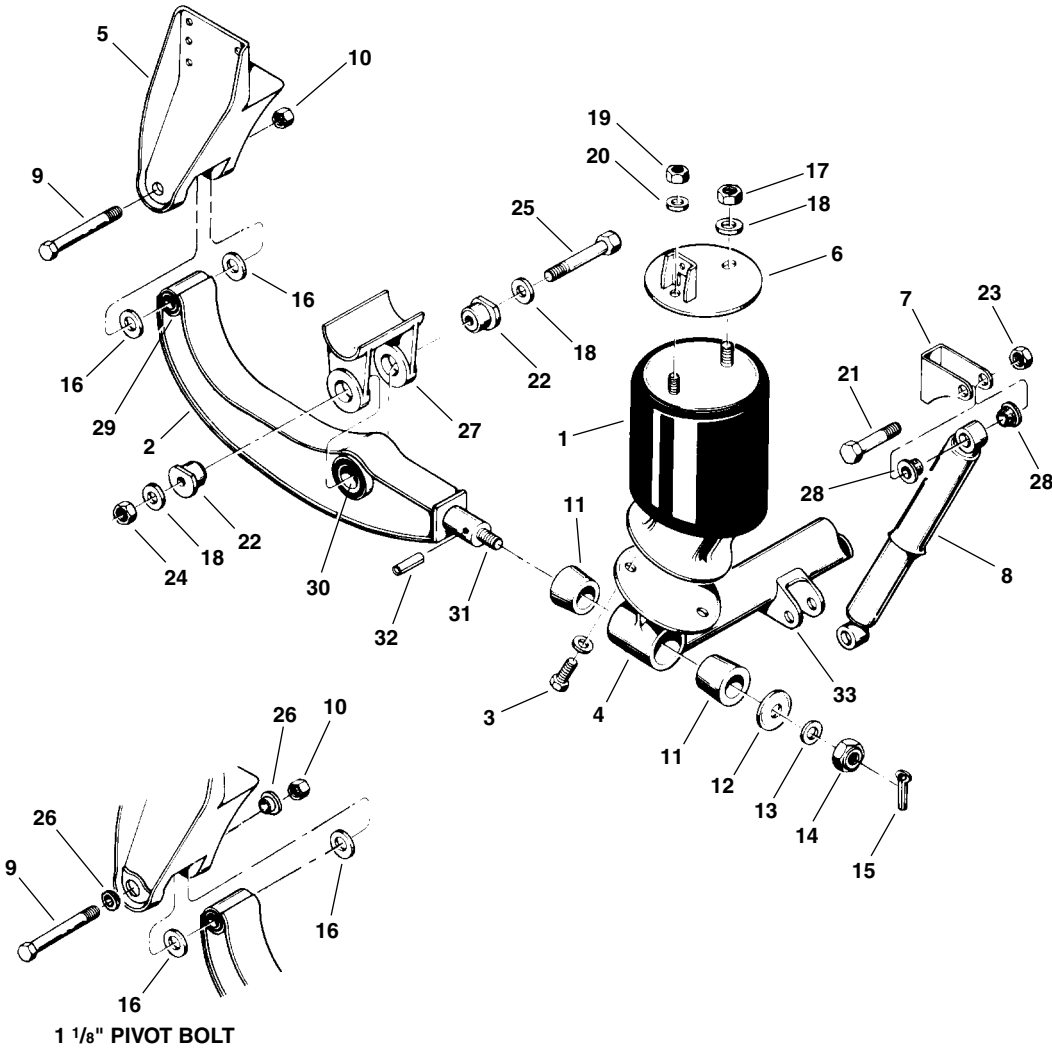
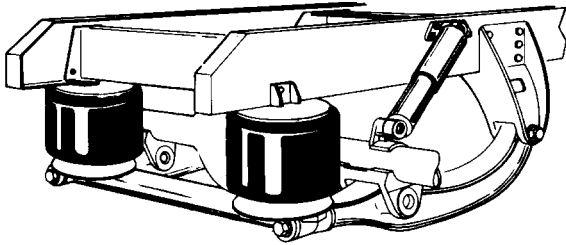
NEWAY ARDST/ARDSTM & L PARTS

KEY NO.	MERITOR NO.	NEWAY NO.	DESCRIPTION	PER QTY. AXLE	ARDST					PAGE NO.
					-123	-244	-246	(M/L) -123	(M/L) -246	
1	FS9121	905 57 078	Air Spring	2			X		X	—
	FS9082	905 57 027			X	X		X		
2	R3010686	905 16 286	Equalizing Beam Assembly	2	X	X		X	X	—
	S.O.S.	905 16 352					X			
2A	R309292	900 08 151	Bushing (Front End)	2	X			X		2-51
	R309292	900 08 151		4		X	X		X	
2B	R304253	900 08 008	Bushing (Beam Center)	2	X	X				2-50
	R304253	900 08 008		4	X	X		X		
3	S.O.S.	905 44 617	Transverse Beam Assembly	1	X			X		—
	S.O.S.	905 44 617		2		X	X		X	
3A	R309293	900 08 135	Transverse Beam Bushing	2	X			X		1-448
	R309293	900 08 135		4		X	X		X	
4	R304267	900 08 120	Alignment Block	4	X			X		1-472
	R304267	900 08 120		8		X	X		X	
5	S.O.S.	900 18 578	Frame Bracket Single Axle, Left Hand	1						—
	S.O.S.	900 18 579	Frame Bracket Single Axle, Right Hand	1						—
6	S.O.S.	905 31 001	Air Spring Mounting Plate	2	X			X		—
	S.O.S.	905 31 001		4		X	X		X	
7	R304343	900 18 116	Shock Absorber Mounting Bracket	2	X			X		1-476
	R304343	900 18 116		4		X	X		X	
8	83209	900 44 025	Fleetline Shock Absorber	2	X			X		3-13
	89414	900 44 025	GasSLX Shock Absorber	4		X	X		X	
9	R304364	932 01 046 (Old)	Rod Bolt, 1 1/8"-7 Thd.	2	X			X		2-32
		932 01 055 (New)		4		X	X		X	
10	R304358	934 00 506	Lock Nut, 1 1/8"-7 Thd.	2	X			X		2-34
	R304358	934 00 506		4		X	X		X	
11	R304403	905 08 004	Shock Absorber Bushing	8	X			X		2-53, 3-2
	R304403	905 08 004		16		X	X		X	
12	Part of R309301	900 36 118	Spacer Washer	2	X			X		1-462
	Part of R309301	900 36 118		4		X	X		X	
13	S.O.S.	900 23 131	Brace	2	X			X		—
	S.O.S.	900 23 131				X	X		X	
14	S.O.S.	—	Beam Hanger Brackets, Single Axle	2						—
15	Part of R309301	934 00 603	Hex Slotted Nut, 2 1/4"-12 Thd.	2	X	X	X	X	X	1-462
16	R302545	936 00 156	Plain Washer, 3/4"	4	X			X		2-35
	R302545	936 00 156		8		X	X		X	
17	Part of R304387	934 00 492	Lock Nut, 3/4"-10 Thd.	6	X			X		1-456
	Part of R304387	934 00 492		12		X	X		X	
18	Part of R304387	900 01 002	Adapter Bushing	4	X			X		1-456
	Part of R304387	900 01 002		8		X	X		X	
19	Part of R309300A	936 00 502	Spacer Washer	4	X			X		1-461
	Part of R309300A	936 00 502		8		X	X		X	
20	S.O.S.	934 00 417	Lock Nut, Light 3/4"-16 Thd.	2	X			X		—
	S.O.S.	934 00 417		4		X	X		X	
21	S.O.S.	930 02 893	Cap Screw, 1/2"-13 Thd. x 1"	4	X			X		—
	S.O.S.	930 02 893				X	X		X	
22	S.O.S.	934 00 136	Hex Nut, 1/2"-13 Thd.	2	X			X		—
	S.O.S.	934 00 136		4		X	X		X	
23	S.O.S.	936 00 072	Lock Washer, 1/2"	6	X			X		—
	S.O.S.	936 00 072		12		X	X		X	
24	S.O.S.	930 03 597	Cap Screw, 3/4"-10 Thd. x 3 1/2"	4	X			X		—
	S.O.S.	930 03 597		8		X	X		X	
25	Part of R304387	930 03 693	Cap Screw, 3/4"-10 Thd. x 7 1/2"	2	X			X		1-456
	Part of R304387	930 03 693		4		X	X		X	
26	Part of R309301	938 00 235	Roll Pin, 3/8" Diameter x 3 1/2" Long	2	X			X		1-462
	Part of R309301	938 00 235		4		X	X		X	
27	Part of R309301	936 00 498	Washer	2	X			X		1-462
	Part of R309301	936 00 498		4		X	X		X	
—	R309300A	SRK-200 481 00 260	Pivot Connection Kit	1	X	X	X	X	X	1-461
—	R304387	SRK-80 481 00 124	Axle Pivot Connection Kit	1	X	X	X	X	X	1-456
—	R309301	SRK-201 481 00 261	Transverse Connection Kit	1	X	X	X	X	X	1-462

S.O.S. = Available through Meritor's S.O.S. Department

NEWAY SUSPENSION

ARD-125-6, -244-6 Series Trailer/Tractor



1

NEWAY SUSPENSION PARTS

ARD-125-6, -244-6 Series

Trailer/Tractor

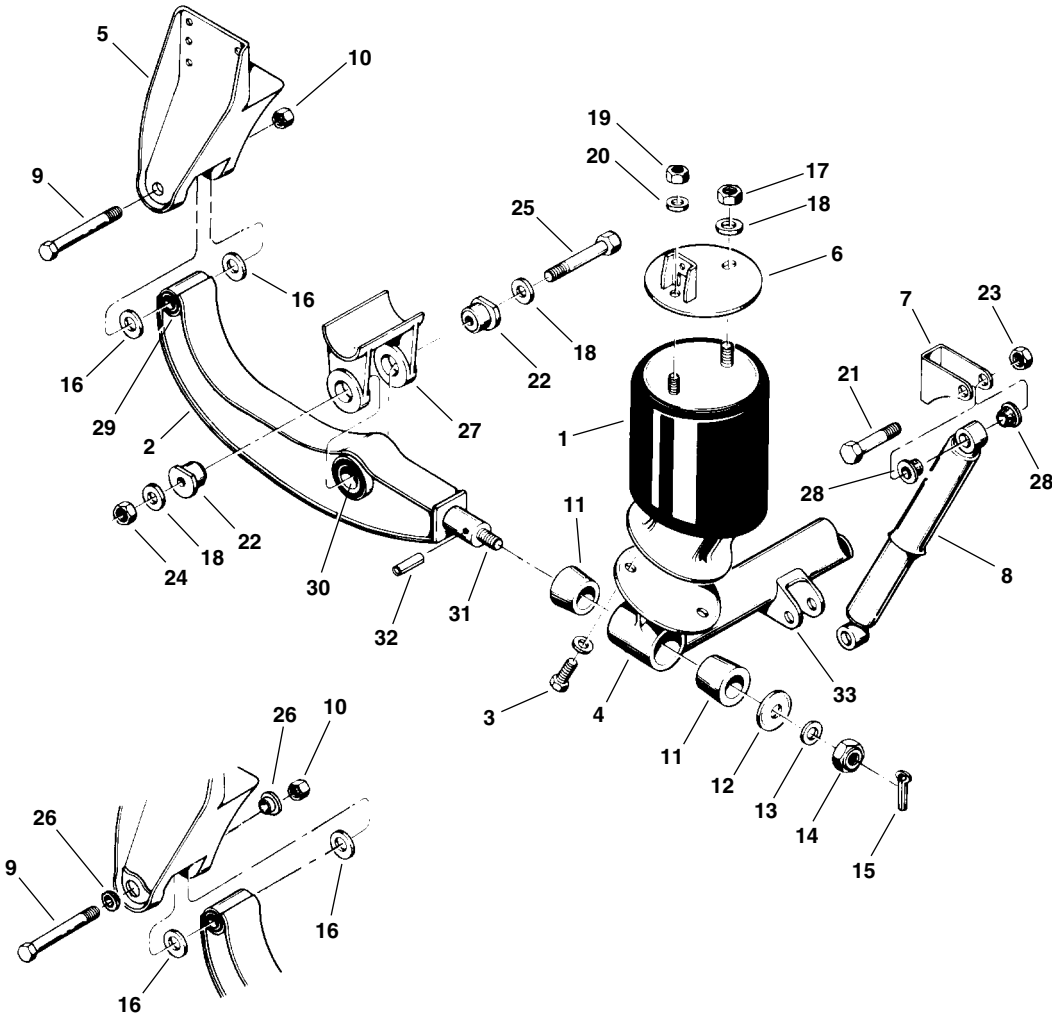
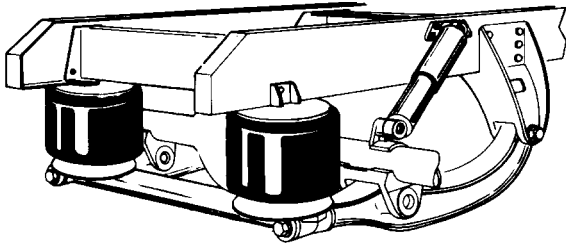
KEY NO.	MERITOR NO.	REPLACES NEWAY NO.	DESCRIPTION	QTY. PER AXLE		FORD	GMC & IHC	MACK	WHITE	PAGE NO.
				ARD-125-6	ARD-244-6					
1	FS9093	905 57 032	Air Spring Assembly	2	4	X				—
	FS9082	905 57 027					X	X	X	
2	S.O.S.	Various	Equalizing Beam, 5 1/4" Wide	2	4	X	X	X	X	—
	S.O.S.	Various	Equalizing Beam, 5 3/4" Wide	2	4	X	X	X	X	
3	S.O.S.	930 02 893	Cap Screw, 1/2" - 13 Thd. x 1"	4	8	X	X	X	X	—
4	S.O.S.	905 44 079	Transverse Beam	1	2	X	X	X	X	—
5	S.O.S.	900 18 578	Frame Bracket, Left Hand (with SRK-120)	1	2	X	X	X	X	—
	S.O.S.	900 18 579	Frame Bracket, Right Hand (with SRK-120)	1	2	X	X	X	X	
6	S.O.S.	905 31 001	Air Spring Mounting Plate	2	4	X	X	X	X	—
7	R304343	900 18 116	Bracket	2	4	X	X	X	X	1-476
8	83209	900 44 025	Fleetline Shock Absorber	2	4	X	X	X	X	3-13
	89414		GasSLX Shock Absorber							
9	S.O.S.	932 00 132	Bolt, 1 1/4"-12 Thd. x 9"	2	4	X	X	X		—
	S.O.S.	932 01 030	Bolt, 1 1/4"-12 Thd. x 10 9/16"							X
	R304364	932 01 046 (Old) 932 01 055 (New)	Bolt, 1 1/8"-7 Thd. x 9 1/4"	2	4		X	X		2-32
	R304361	932 01 045	Bolt, 1 1/8"-7 Thd. x 8 1/2"					X	1-472, 2-32	
10	R302854	934 00 509 (Old) 934 00 511 (New)	Lock Nut, 1 1/4"	2	4	X	X	X	X	2-34
	R304358	934 00 506	Lock Nut, 1 1/8"			X	X	X	X	
11	R304257 (Rubber)	900 08 113	Bushing	4	8	X	X	X	X	1-450
	R308682 (Poly)									1-450, 2-10
12	R304278	900 36 007	Washer	2	4	X	X	X	X	2-35
13	S.O.S.	936 00 180	Washer	2	4	X	X	X	X	—
14	R304358	934 00 506	Lock Nut	2	4	X				2-34
	R302854	934 00 509 (Old) 934 00 511 (New)					X	X	X	
15	S.O.S.	938 00 065	Cotter Pin (Pre-1981 Vehicles Only)	2	4	X	X	X	X	—
16	R304277	900 36 001	Washer	4	8	X	X	X	X	2-35
	S.O.S.	936 00 495				X	X	X	X	—
17	S.O.S.	934 00 417	Lock Nut, 3/4"-16 Thd.	4	8	X	X	X	X	—
18	R302545	936 00 157	Washer	4	8	X	X	X	X	2-35
19	S.O.S.	934 00 136	Hex Nut, 1/2"-13 Thd.	2	4	X	X	X	X	—
20	S.O.S.	936 00 072	Lock Washer, 1/2"	2	4	X	X	X	X	—
21	R304345	930 03 599 (Old) 930 03 597 (New)	Bolt	4	8	X	X	X	X	1-476, 2-33
22	Part of R302372 or R304387	900 01 002	Adapter Bushing, 5 1/4" Wide Hanger	4	8	X	X	X	X	1-471, 1-456
			Adapter Bushing, 5 3/4" Wide Hanger							
23	S.O.S.	934 00 553	Lock Nut	4	8	X	X	X	X	—
24	Part of R302372 or R304387	934 00 492	Lock Nut, 3/4"-10 Thd	2	4	X	X	X	X	1-471, 1-456, 2-34
25	Part of R302372	930 03 681	Bolt , Adapter Assembly, 51/4" Wide Hanger	2	4	X		X		1-471
	Part of R304387	930 03 693	Bolt, Adapter Assembly, 5 3/4" Wide Hanger				X	X	X	1-456

S.O.S. = Available through Meritor's S.O.S. Department

Continued on next page

NEWAY SUSPENSION

ARD-125-6, -244-6 Series Trailer/Tractor



1 1/8" PIVOT BOLT

1

NEWAY SUSPENSION PARTS

ARD-125-6, -244-6 Series

Trailer/Tractor

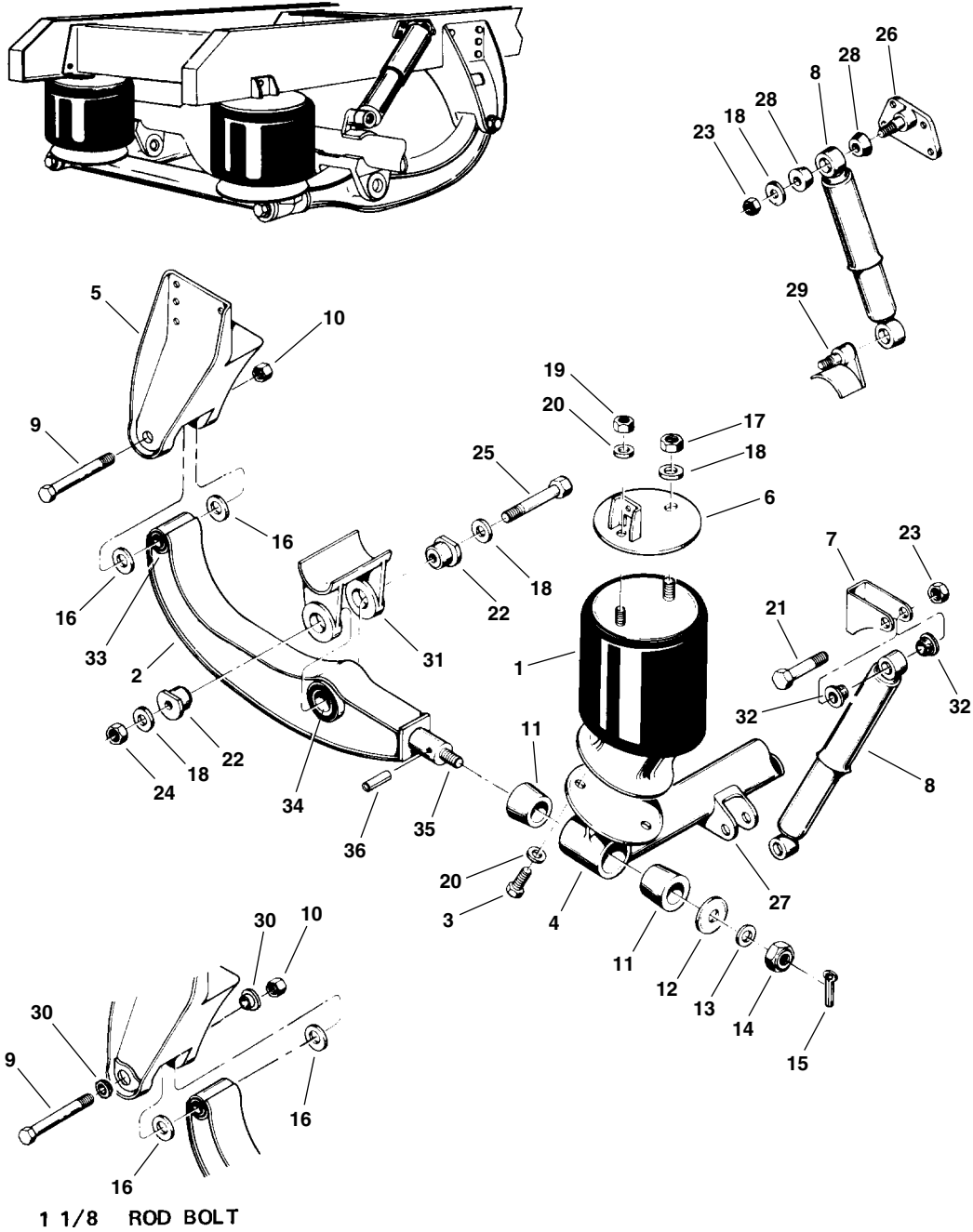
KEY NO.	MERITOR NO.	REPLACES NEWAY NO.	DESCRIPTION	QTY. PER AXLE		FORD	GMC & IHC	MACK	WHITE	PAGE NO.
				ARD-125-6	ARD-244-6					
26	R304266	900 08 110	Alignment Block (Pre-1981), 1 1/4" I.D.	4	8	X	X	X		1-472
	R304267	900 08 120	Alignment Block, (Pre-1981), Later Vehicles, 1 1/8" I.D.			X	X	X	X	1-472
27	S.O.S.	Various	Available Per Axle Specification	2	4	X	X	X	X	—
28	R304403 (Rubber)	905 08 004	Bushing	8	16	X	X	X	X	2-53, 3-2
	R308684 (Poly)									2-10, 3-2
29	R302940 (Rubber)	900 08 002	Bushing, Old Style 1 1/4" I.D.	2	4	X	X	X	X	1-448
	R308677 (Poly)									2-10
	R304255 (Rubber)	900 08 131	Bushing, New Style 1 1/8" I.D.	2	4	X	X	X	X	1-448
30	R304252 (Rubber)	900 08 006	Bushing, 5 1/4" (Assembled In Item 2)	2	4			X	X	2-50
	R304253 (Rubber)	900 08 008	Bushing, 5 3/4" (Assembled In Item 2)	2	4	X	X	X	X	
31	R304258	900 06 380	Stud	2	4	X	X	X	X	1-472
32	S.O.S.	900 44 174	Roll Pin	2	4	X	X	X	X	—
33	S.O.S.	900 18 482	Lower Shock Bracket	2	4	X	X	X	X	—
—	R304393	SRK-120 481 00 170	1 1/8" Adjustable Pivot Connection Kit Includes Key Nos. 9, 10, 16, 29	2	4	X	X	X	X	1-460
	R304392	SRK-105 481 00 154	1 1/4" Adjustable Pivot Connection Kit Includes Key Nos. 9, 10, 16, 29 NOTE: R304392 is for Pre-1981 vehicles which require R302940 bushings with alignment bushings	1	2	X	X	X	X	1-460
	R304387	SRK-80 481 00 124	5 3/4" Axle Connection Kit Includes Key Nos. 18, 22, 24, 25, 30	1	2	X	X	X	X	1-456
	R304401A	SRK-77-1 481 00 161	Transverse Beam Stud Kit Includes Key Nos. 10, 11, 12, 13	1	2	X	X	X	X	1-462

S.O.S. = Available through Meritor's S.O.S. Department

1

NEWAY SUSPENSION

ARD-125, -6, -8, -244-6, -8 Series
Trailer/Tractor



1

NEWAY SUSPENSION PARTS

ARD-125, -6, -8, -244-6, -8 Series

Trailer/Tractor

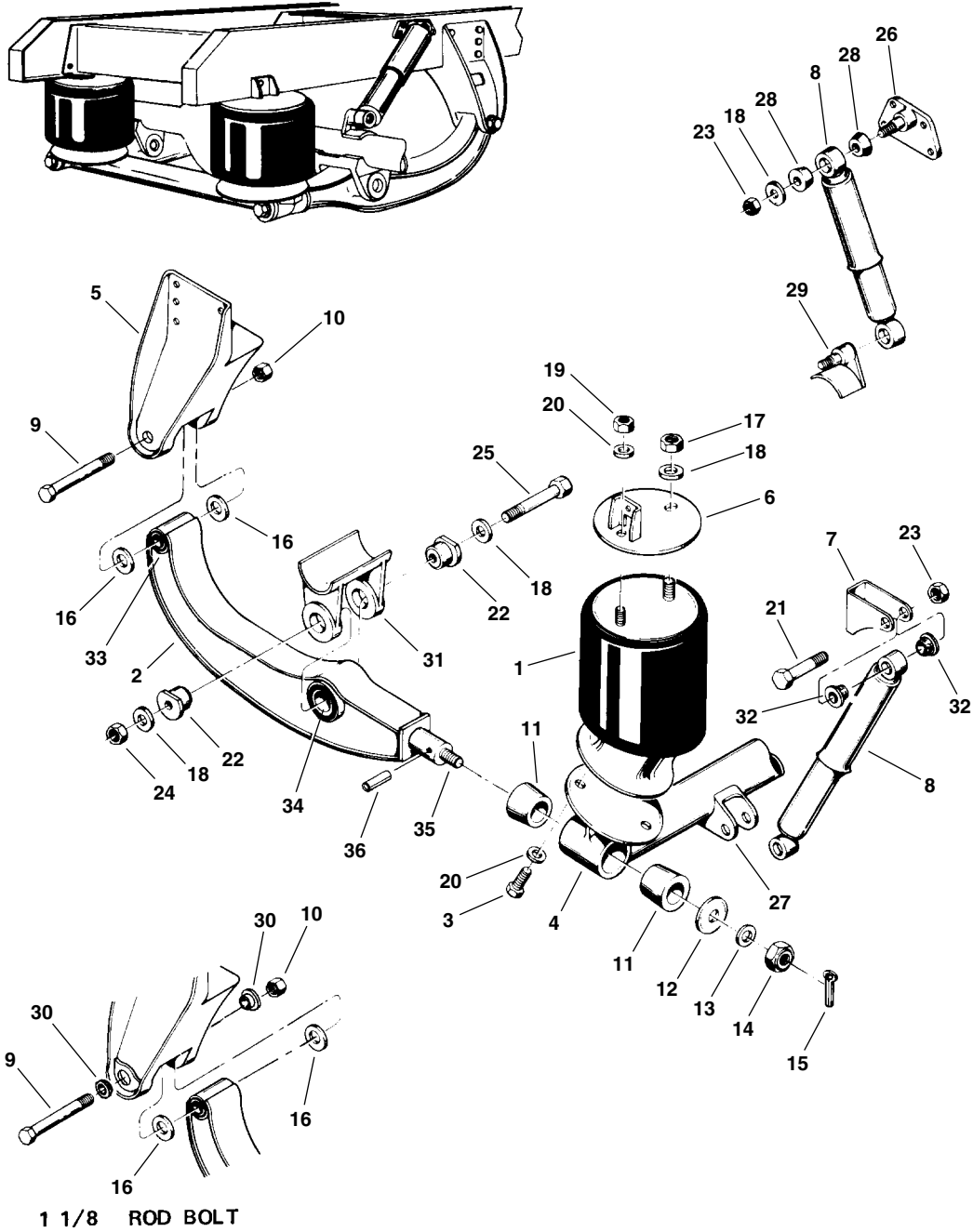
KEY NO.	MERITOR NO.	REPLACES NEWAY NO.	DESCRIPTION	QTY. PER AXLE				NEWAY	MACK WESTERN	FREIGHTLINER & WHITE WESTERN STAR	PAGE NO.
				ARD-							
				125-6	244-6	125-8	244-8				
1	FS9082	905 57 027	Air Spring Assembly	2	4	2	4	X	X	X	—
2	S.O.S.	Various	Equalizing Beam, 5 1/4" Wide	2	4	2	4	X	X	X	—
	S.O.S.	Various	Equalizing Beam, 5 3/4" Wide								
3	S.O.S.	930 02 893	Cap Screw, 1/2"-13 Thd. x 1"	4	8	4	8	X	X	X	—
4	S.O.S.	905 44 112	Transverse Beam (-8 Model)	—	—	1	2	X	X	X	—
	S.O.S.	905 44 079	Transverse Beam (-6 Model)	1	2	—	—	X	X	X	—
5	S.O.S.	900 18 578	Frame Bracket, Left Hand (with SRK-120)	1	2	1	2	X	X	X	—
	S.O.S.	980 18 579	Frame Bracket, Right Hand (with SRK-120)	1	2	1	2				
6	S.O.S.	905 31 001	Air Spring Mounting Plate	2	4	2	4	X	X	X	—
7	R304343	900 18 116	Bracket	2	4	—	—	X	X	X	1-476
8	83209	900 44 025	Fleetline Shock Absorber	2	4	—	—	X	X	X	3-13
	89414		GasSLX Shock Absorber								
	85004	900 44 011	Fleetline Shock Absorber	—	—	2	4	X		X	3-10
9	S.O.S.	932 00 132	Bolt, 1 1/4"-12 Thd. x 9"	2	4	2	4	X	X		—
	S.O.S.	932 01 030	Bolt, 1 1/4"-12 Thd. x 10 9/16"								
	R304361	932 01 045	Bolt, 1 1/8"-7 Thd. x 8 1/2"	2	4	2	4	X			1-472, 2-32
	R304364	932 01 046 (Old) 932 01 055 (New)	Bolt, 1 1/8"-7 Thd. x 9 1/4"								X
10	R302854	934 00 509 (Old) 934 00 511 (New)	Lock Nut	2	4	2	4	X	X	X	2-34
	R304358	934 00 506			2	4	2	4	X	X	X
11	R304257 (Rubber)	900 08 113	Bushing	4	8	4	8	X	X	X	1-450
	R308682 (Poly)										
12	R304278	900 36 007	Washer	2	4	2	4	X	X	X	2-35
13	S.O.S.	936 00 180	Washer, 1 1/4"	2	4	2	4	X	X	X	—
14	R304358	934 00 506	Lock Nut	2	4	2	4	X			2-34
	R302854	934 00 509 (Old) 934 00 511 (New)							X	X	
15	S.O.S.	938 00 065	Cotter Pin (Pre-1981 Vehicles Only)	2	4	2	4	X	X	X	—
16	R304277	900 36 001	Washer	4	8	4	8	X	X	X	2-35
	S.O.S.	936 00 495						X	X	X	—
17	S.O.S.	934 00 149	Lock Nut, 3/4"-16 Thd.	4	8	4	8	X			—
	S.O.S.	934 00 417							X	X	
18	R302545	936 00 157	Washer	4	8	4	8	X	X		2-35
	R302545	936 00 156								X	
19	S.O.S.	934 00 136	Hex Nut, 1/2"-13 Thd.	2	4	2	4	X	X	X	—
20	S.O.S.	936 00 072	Lock Washer, 1/2"	2	4	2	4	X	X	X	—
21	R304345	930 03 599 (Old) 930 03 597 (New)	Bolt	4	8	—	—	X	X	X	1-476, 2-33
—	S.O.S.	905 18 335	Upper Shock Bracket (LH)			1	8	X			—
—	S.O.S.	905 18 336	Upper Shock Bracket (RH)			1	2	X			—
22	R302372	900 01 002	End Beam Adapter Assembly, 5 1/4" Wide Hanger	4	8	4	8	X	X	X	1-471
	R304387		End Beam Adapter Assembly, 5 3/4" Wide Hanger								
23	S.O.S.	934 00 553	Lock Nut, 3/4"-10 Thd.	4	8	4	8	X	X	X	—

S.O.S. = Available through Meritor's S.O.S. Department
N/A = No Longer Available

Continued on next page

NEWAY SUSPENSION

ARD-125, -6, -8, -244-6, -8 Series
Trailer/Tractor



1

NEWAY SUSPENSION PARTS

ARD-125, -6, -8, -244-6, -8 Series

Trailer/Tractor

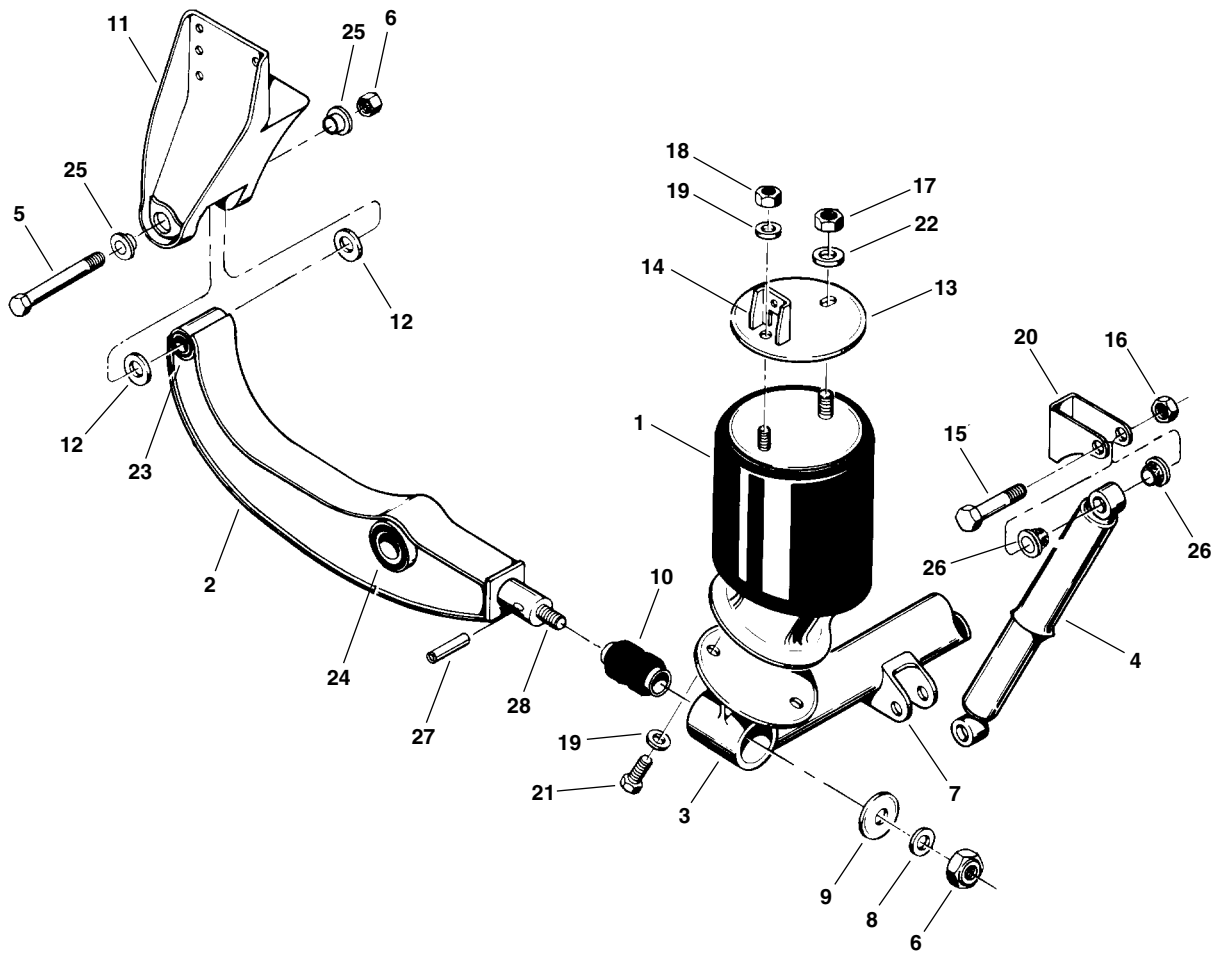
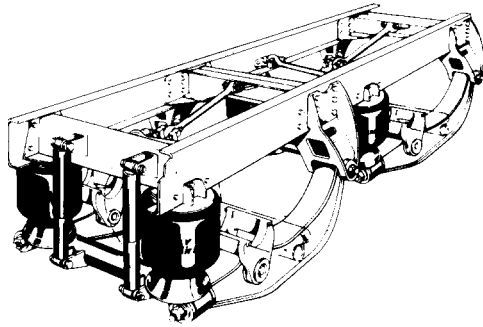
KEY NO.	MERITOR NO.	REPLACES NEWAY NO.	DESCRIPTION	QTY. PER AXLE				NEWAY	MACK WESTERN	FREIGHTLINER & WHITE WESTERN STAR	PAGE NO.							
				ARD-														
				125-6	244-6	125-8	244-8											
24	R304347	934 00 492	Lock Nut, 3/4"-10 Thd.	2	4	2	4	X	X	X	2-34							
25	Part of R302372	930 03 681	Bolt, 5 1/4" Wide Hanger	2	4	2	4	X	X	X	1-471							
	Part of R304387	930 03 693	Bolt, 5 3/4" Wide Hanger								1-456							
26	R304342	905 18 020	Bracket			2	4	X	X	X	1-476							
27	S.O.S.	905 19 240	Lower Shock Bracket	2	4	2	4	X	X	X	—							
28	R30401754	900 08 182 900 08 003	Bushing			2	4	X	X	X	3-2							
29	S.O.S.	905 19 240	Lower Shock Bracket (-8 Model)			2	4	X	X	X	—							
30	R304266	900 08 110	Alignment Block	4	8	4	8	X	X	X	1-472							
	R304267	900 08 120																
31	N/A	—	Contact Axle Manufacturer	2	4	2	4	X	X	X	—							
32	R304403 (Rubber)	905 08 004	Bushing	8	16	8	16	X	X	X	2-53, 3-2							
	R308684 (Poly)										2-10, 3-2							
33	R302940 (Rubber)	900 08 002	Beam Bushing (Assembled in Item 2) Old Style 1 1/4" I.D.	2	4	2	4	X	X	X	1-448							
	R308677 (Poly)										2-10							
	R304255 (Rubber)	900 08 131	Beam Bushing (Assembled in Item 2) New Style 1 1/8" I.D.	2	4	2	4	X	X	X	1-448							
34	R304252 (Rubber)	900 08 006	Center Bushing	2	4	2	4	X	X	X	1-448, 2-50							
	R304253 (Rubber)	900 08 008									2	4	2	4	X	X	X	1-448, 2-50
	R308681 (Poly)																	1-448, 2-10
35	R304258	900 06 380	Stud	2	4	2	4	X	X	X	1-472							
36	S.O.S.	900 44 174	Roll Pin	2	4	2	4	X	X	X	—							
—	R304397	SRK-76 481 00 120	1 1/4" Fixed Pivot Connection Kit Includes Key Nos. 9, 10, 16, 33. For Pre-1981 w/ R302940 Bushings without Alignment Bushings	1	2	1	2	X	X	X	1-459							
—	R304393	SRK-139A 481 00 194	1 1/8" Adjustable Pivot Connection Kit Includes Key Nos. 9, 14, 16, 30, 33 Use SRK-139A if Alignment Bushings Not Required	1	2	1	2	X	X	X	1-460							
—	R304392	SRK-105 481 00 154	1 1/4" Adjustable Pivot Connection Kit Includes Key Nos. 9, 14, 16, 33. For Pre-1981 Vehicles w/ R302940 Bushings with Alignment Bushings	1	2	1	2	X	X	X	1-460							
—	R304387	SRK-80 481 00 124	5 3/4" Axle Connection Kit Includes Key Nos. 18, 22, 24, 25, 34	1	2	1	2	X	X	X	1-456							
—	R304401A	SRK-77-1 481 00 161	Transverse Beam Stud Kit Includes Key Nos. 11, 12, 13, 14	1	2	1	2	X	X	X	1-462							

S.O.S. = Available through Meritor's S.O.S. Department

N/A = No Longer Available

NEWAY SUSPENSION

ARD-234-6 Series Trailer/Tractor



NEWAY SUSPENSION PARTS

ARD-234-6 Series

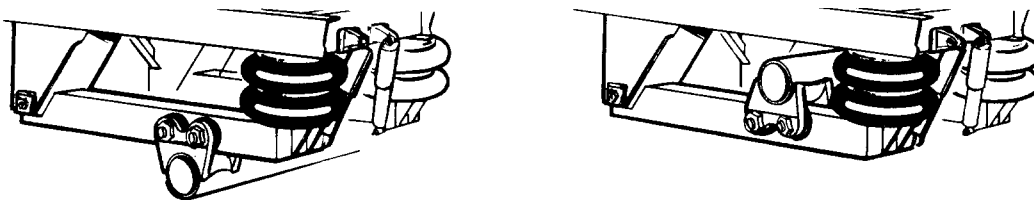
Trailer/Tractor

KEY NO.	MERITOR NO.	REPLACES NEWAY NO.	DESCRIPTION	QTY. PER TANDEM	PAGE NO.
1	S.O.S.	905 57 070	Air Spring Assembly	4	—
2	S.O.S.	905 15 773	Equalizing Beam Assembly, Includes Key Nos. 23 & 24	4	—
3	S.O.S.	905 44 491	Transverse Beam	2	—
4	83123	900 44 046	Fleetline Shock Absorber	4	3-13
	89405		GasSLX Shock Absorber		3-13
5	R304364	932 01 046 (Old) 932 01 049 (New)	Bolt, 1 1/8"-7 Thd. x 9 1/4"	4	2-32
6	R304358	934 00 506	Lock Nut, 1 1/8"-7 Thd.	8	2-34
7	S.O.S.	900 32 386	Lower Shock Bracket	8	—
8	S.O.S.	936 00 493	Washer	4	—
9	R302548	936 00 174	Washer, 1 1/4"	4	2-35
10	R304254	900 08 104	Transverse Beam Bushing	4	1-450
11	S.O.S.	905 19 311	Frame Bracket	4	—
12	S.O.S.	936 00 495	Spacer Washer	8	—
13	S.O.S.	900 32 382	Air Spring Mounting Plate	4	—
14	S.O.S.	900 23 131	Air Spring Mounting Plate Brace	4	—
15	R304345	936 03 599 (Old) 930 03 597 (New)	Bolt, 3/4"-10 Thd. x 3 1/2"	8	1-476, 2-33
16	S.O.S.	934 00 492	Lock Nut, 3/4"-10 Thd.	8	—
17	S.O.S.	934 00 149	Hex Nut, 3/4"-16 Thd.	4	—
18	S.O.S.	934 00 136	Hex Nut, 1/2"-13 Thd.	4	—
19	S.O.S.	936 00 072	Lock Washer, 1/2"	12	—
20	S.O.S.	900 18 367	Upper Shock Bracket	4	—
21	S.O.S.	930 02 893	Cap Screw, 1/2"-13 Thd. x 1"	8	—
22	R302545	936 00 156	Washer, 3/4"	4	2-35
23	R304256	900 08 145	Bushing, Front	4	1-448
24	R304253 (Rubber)	900 08 008	Bushing, Center	4	1-448
	R308681 (Poly)				1-448, 2-10
25	R304267	900 08 120	Alignment Block	4	1-472
26	R304403 (Rubber)	905 08 004	Shock Bushing	16	2-53, 3-2
	R308684 (Poly)				2-10, 3-2
27	S.O.S.	900 44 309	Roll Pin	4	—
28	S.O.S.	900 06 338	Stud	4	—
—	S.O.S.	SRK-147 481 00 204	1 1/8" Adjustable Pivot Connection Kit Includes Key Nos. 5, 6, 23	2	—
—	S.O.S.	SRK-95 481 00 143	Transverse Beam Stud Kit Includes Key Nos. 6, 8, 9, 10	2	—

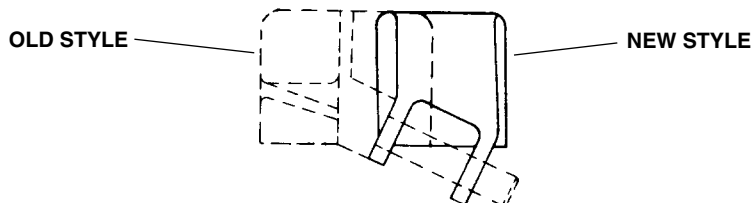
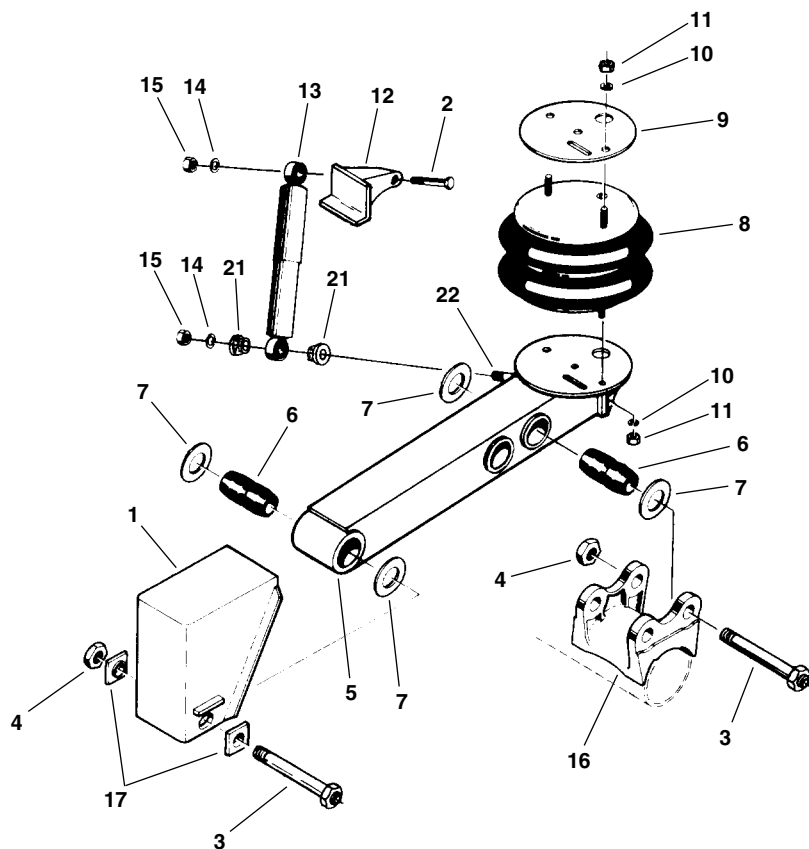
S.O.S. = Available through Meritor's S.O.S. Department

NEWAY SUSPENSION

ARL-20-D and ARL-20-D-US Series



1



NEWAY SUSPENSION PARTS

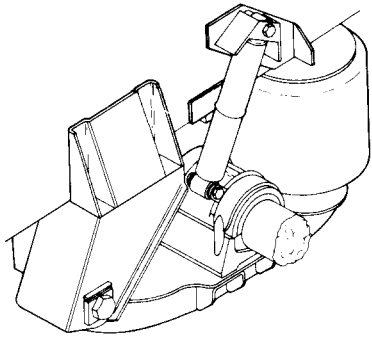
ARL-20-D and ARL-20-D-US Series

KEY NO.	MERITOR NO.	REPLACES NEWAY NO.	DESCRIPTION	QTY. PER AXLE	ARL-20-		PAGE NO.
					D	D-US	
1	S.O.S.	905 18 002	Non-Adjustable Frame Bracket, Left Hand	1	X	X	—
	S.O.S.	905 18 001	Non-Adjustable Frame Bracket, Right Hand	1	X	X	—
2	R304345	930 03 599 (Old) 930 03 597 (New)	Hex Head Bolt, 3 1/4"-10 Thd. x 3 1/2"	2	X	X	1-476, 2-33
3	R302951	932 00 959	Bolt, 1 1/4"-7 Thd. x 8 1/8"	6	X	X	1-472, 2-32
4	N/A	934 00 510	Lock Nut, 1 1/4"-7 Thd.	6	X	X	—
5	S.O.S.	905 15 359	Equalizing Beam Assembly, Left Hand	1	X	X	—
	S.O.S.	905 15 360	Equalizing Beam Assembly, Right Hand	1	X	X	—
6	R302940 (Rubber)	900 08 002	Bushing	6	X	X	1-448
	R308677 (Poly)						2-10
7	R302956	936 00 029	Washer, 1 11/16" x 3 1/4" x 1/8"	12	X	X	2-35
8	FS7437	905 57 015	Air Spring Assembly (Double Convolution Style)	2	X	X	—
	FS9039	905 57 023	Air Spring Assembly (Rolling Lobe Style)		X	X	—
9	S.O.S.	900 31 025	Air Spring Mounting Plate	2	X	X	—
10	S.O.S.	936 00 072	Lock Washer, 1/2"	8	X	X	—
11	S.O.S.	934 00 136	Hex Nut, 1/2"-13 Thd.	8	X	X	—
12	S.O.S.	900 18 061	Upper Shock Bracket, Left Hand	1	X	X	—
	S.O.S.	900 18 062	Upper Shock Bracket, Right Hand	1	X	X	—
13	83128	900 44 162	Fleetline Shock Absorber	2	X	X	3-14
14	S.O.S.	936 00 005	Washer, 3/4"	4	X	X	—
15	R304347	934 00 494	Lock Nut, 3/4"-10 Thd.	4	X	X	2-34
16	S.O.S.	900 01 019	Beam Axle Bracket, 5" Rd. Axle	2	X	X	—
	S.O.S.	900 01 020	Beam Axle Bracket, 5" Sq. Axle		X	X	—
17	R304262	900 01 001	Alignment Block	2	X	X	1-473
18	S.O.S.	930 03 549	Cap Screw, 3/4"-10 Thd. x 1 1/2"	2	X	X	—
19	S.O.S.	936 00 077	Lock Washer, 3/4"	4	X	X	—
20	R301107	934 00 149	Hex Nut, 3/4"-16 Thd.	2	X	X	2-34
21	R304403 (Rubber)	905 08 004	Shock Bushing	8	X	X	2-53, 3-2
	R308684 (Poly)						2-10, 3-2
22	S.O.S.	932 00 005	Shock Mounting Stud, 3/4"-10 Thd. x 4 3/4"	2	X	X	—

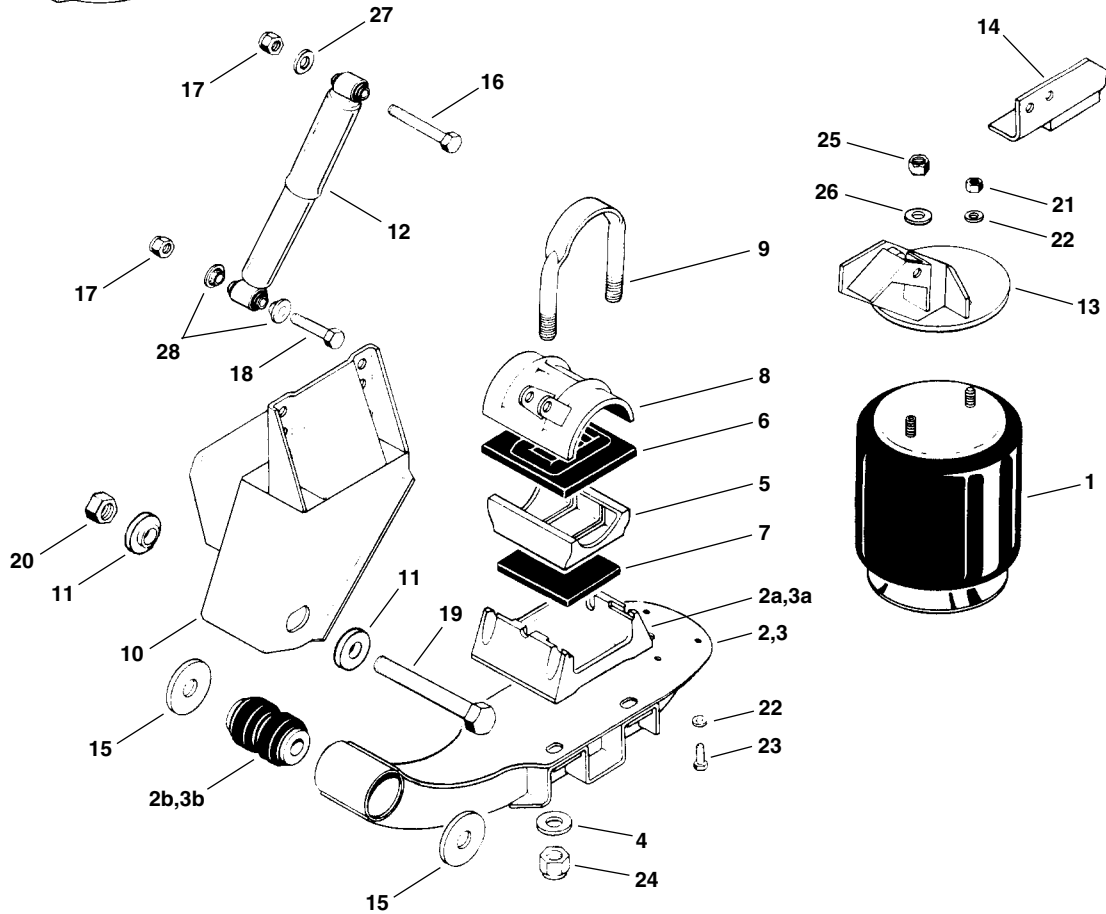
S.O.S. = Available through Meritor's S.O.S. Department
N/A = Not Longer Available

NEWAY SUSPENSION

ART-500-B, ART-551-B-1, -2, -3 Series Truck/Tractor



NOTE: For 15" wheel axle connection parts, with cam on horizontal centerline, refer to 15" WHEEL AXLE CONNECTION on last page of this section.



1

NEWAY SUSPENSION PARTS

ART-500-B, ART-551-B-1, -2, -3 Series

Truck/Tractor

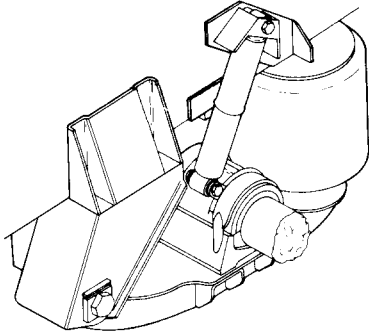
KEY NO.	MERITOR NO.	REPLACES NEWAY NO.	DESCRIPTION	QTY. PER AXLE	ART-					PAGE NO.
					500-B	500-B-1	551-B-1	551-B-2	551-B-3	
1	FS9082	905 57 027	Air Spring Assembly	2	X	X				—
	FS9101	905 57 009					X	X	X	—
2	S.O.S.	905 16 343	Equalizing Beam, Left Hand Includes Key Nos. 2A, 2B	1	X				X	—
	S.O.S.	905 16 345				X		X		
	S.O.S.	905 16 349					X			
2A	R304292	900 01 006	Axle Seat	1	X				X	1-468
	S.O.S.	905 01 037				X		X		—
	S.O.S.	900 01 008					X			—
2B	R304382A (Rubber)	900 08 139	Beam Bushing	1	X	X	X	X	X	1-450
	R308683 (Poly)									
3	S.O.S.	905 16 344	Equalizing Beam, Right Hand Includes Key Nos. 3A, 3B	1	X				X	—
	S.O.S.	905 16 346				X		X		
	S.O.S.	905 16 350					X			
3A	R304292	900 01 006	Axle Seat	1	X				X	1-468
	S.O.S.	905 01 037				X		X		—
	S.O.S.	900 01 008					X			—
3B	R304382A (Rubber)	900 08 139	Beam Bushing	1	X	X	X	X	X	1-450
	R308683 (Poly)									
4	R304353	939 00 027	Washer, 1 5/8"	8	X	X	X	X	X	2-35
5	R304289	900 01 082	Adapter, 5" Round Axle	2	X	X	X	X	X	1-466
	R304290	900 01 083	Adapter, 5" Square Axle		X	X	X	X	X	1-467
6	R302943 (Rubber)	900 28 047	Wrapper, 5" Round Axle	2	X	X	X	X	X	1-451
	R308678 (Poly)									1-451, 2-9
	R304409 (Rubber)				900 28 073	Wrapper, 5" Square Axle	X	X	X	X
7	R302947A (Rubber)	900 28 075	Axle Pad	2	X	X	X	X	X	1-452
	R308680 (Poly)									1-452, 2-10
8	S.O.S.	905 10 061	Axle Cap Assembly without Stops, Left Hand, 5" Round Axle	1	X	X	X	X	X	—
	S.O.S.	905 10 064	Axle Cap Assembly with Stops, Left Hand, 5" Round Axle		X	X	X	X	X	—
	S.O.S.	905 10 063	Axle Cap Assembly with Stops, Right Hand, 5" Round Axle	1	X	X	X	X	X	—
	S.O.S.	905 10 062	Axle Cap Assembly without Stops, Right Hand, 5" Round Axle		X	X	X	X	X	—
9	R30U8479-090	900 41 878	U-Bolt Assembly, Flat Rd., 1"-14 Thd. x 6 5/16" Wide x 9" Long	4	X				X	2-30
	R30U8479-104	900 42 791	U-Bolt Assembly, Flat Rd., 1"-14 Thd. x 6 5/16" Wide x 10 1/2" Long			X		X		2-30
	R30U8479-124A	900 42 792	U-Bolt Assembly, Flat Rd., 1"-14 Thd. x 6 5/16" Wide x 12 1/2" Long				X			2-30
	R30U8578-094	900 41 997	U-Bolt Assembly, Flat Sq., 1"-14 Thd. x 6 5/16" Wide x 9 1/2" Long		X				X	2-30
	R30U8578-124A	900 42 794	U-Bolt Assembly, Flat Sq., 1"-14 Thd. x 6 5/16" Wide x 12 1/2" Long			X		X		2-30
	R30U8578-124A	900 42 795	U-Bolt Assembly, Flat Sq., 1"-14 Thd. x 6 5/16" Wide x 12 1/2" Long				X			2-30
10	S.O.S.	905 18 457	Adjustable Frame Bracket, Left Hand	1	X	X				—
	S.O.S.	905 18 461					X	X	X	—
	S.O.S.	905 18 458	Non-Adjustable Frame Bracket, Right Hand	1	X	X				—
	S.O.S.	905 18 462					X	X	X	—

S.O.S. = Available through Meritor's S.O.S. Department

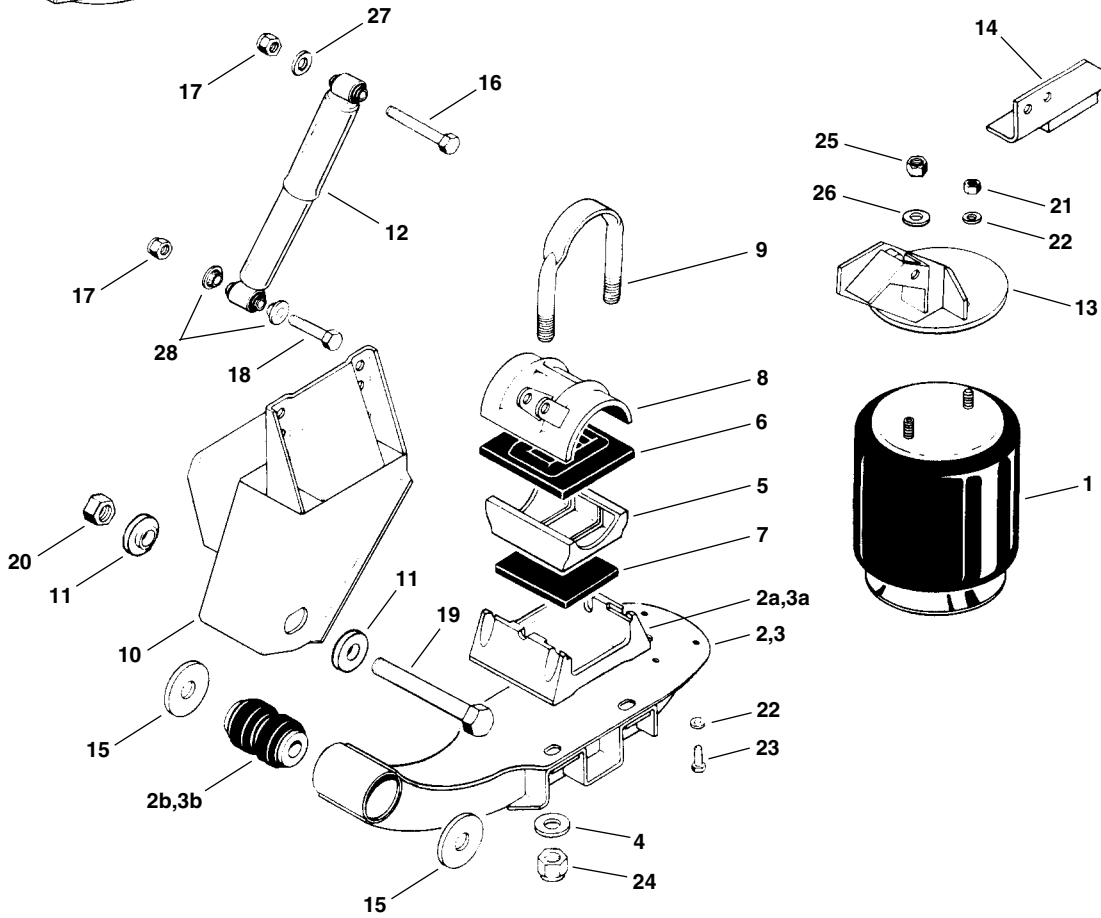
Continued on next page

NEWAY SUSPENSION

ART-500-B, ART-551-B-1, -2, -3 Series Truck/Tractor



NOTE: For 15" wheel axle connection parts, with cam on horizontal centerline, refer to 15" WHEEL AXLE CONNECTION on last page of this section.



1

NEWAY SUSPENSION PARTS

ART-500-B, ART-551-B-1, -2, -3 Series

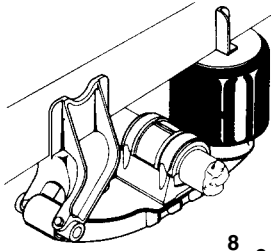
Truck/Tractor

KEY NO.	MERITOR NO.	REPLACES NEWAY NO.	DESCRIPTION	QTY. PER AXLE	ART-					PAGE NO.
					500-B	500-B-1	551-B-1	551-B-2	551-B-3	
11	R309284	900 08 147	Alignment Block, 1 1/8" ID x 3 1/4" OD x 7/8" Thick	4	X	X	X	X	X	1-472
—	R304263	900 01 045	Alignment Block, 1 1/8" ID x 2 1/2" OD x 7/8" Thick	4	X	X	X	X	X	1-473
12	83128	900 44 162	Fleetline Shock Absorber	2	X	X	X	X	X	3-14
13	S.O.S.	905 18 319	Air Spring & Shock Mounting Plate, Left Hand	1	X		X		X	—
	S.O.S.	905 18 321				X				
	S.O.S.	905 18 320	Air Spring & Shock Mounting Plate, Right Hand	1	X		X		X	—
	S.O.S.	905 18 322				X				
14	S.O.S.	905 44 241	Axle Stop Assembly, Left Hand - 5" Round Axle	1	X					—
	S.O.S.	905 44 243				X	X			
	S.O.S.	905 44 245						X		
	S.O.S.	905 44 247							X	
	S.O.S.	905 44 242	Axle Stop Assembly, Right Hand, 5" Round Axle	1	X					—
	S.O.S.	905 44 244				X	X			
	S.O.S.	905 44 246						X		
	S.O.S.	905 44 248							X	
15	R304363	900 36 177	Spacer Washer	4	X	X	X	X	X	2-35
16	S.O.S.	930 03 645	Bolt, 3/4"-10 Thd. x 5 1/2"	2	X	X	X	X	X	—
17	S.O.S.	934 00 492	Lock Nut, 3/4"-10 Thd.	4	X	X	X	X	X	—
18	R304345	930 03 597	Hex Head Bolt	2	X	X	X	X	X	1-476, 2-33
19	R304364	932 01 046 (Old) 932 01 055 (New)	Hex Head Bolt	2	X	X	X	X	X	2-32
20	R304358	934 00 506	Lock Nut, 1 1/8"-7 Thd.	2	X	X	X	X	X	2-34
21	S.O.S.	934 00 136	Hex Nut, 1/2"-13 Thd.	2	X	X	X	X	X	—
22	S.O.S.	936 00 072	Lock Washer, 1/2"	8	X	X	X	X	X	—
23	S.O.S.	930 02 893	Bolt, 1/2"-13 Thd. x 1"	6	X	X	X	X	X	—
24	R304421	934 00 502	Lock Nut, 1"-8 Thd.	8	X	X	X	X	X	2-34
25	R301107	934 00 149	Hex Nut, 3/4"-16 Thd.	2	X	X	X	X	X	2-34
26	S.O.S.	936 00 077	Lock Washer, 3/4"	2	X	X	X	X	X	—
27	S.O.S.	936 00 005	Washer, 3/4"	2	X	X	X	X	X	—
28	R304403 (Rubber)	905 08 004	Shock Bushing	8	X	X	X	X	X	2-53, 3-2
	R308684 (Poly)									2-10, 3-2
—	R304398A	SRK-145 481 00 202	Pivot Connection Kit Includes Key Nos. 2B, 15, 19, 20	1	X	X	X	X	X	1-457
	R302977A	SRK-64 481 00 108	5" Round Axle Connection Kit Includes Key Nos. 4, 6, 7, 9, 24	1	X				X	1-453
	S.O.S.	SRK-66 481 00 110				X		X		
	R304390	SRK-128 481 00 181					X			
	R306898	SRK-68 481 00 112	5" Square Axle Connection Kit Includes Key Nos. 4, 6, 7, 9, 24	1	X				X	1-454
	S.O.S.	SRK-70				X		X		
S.O.S.	SRK-129						X			—

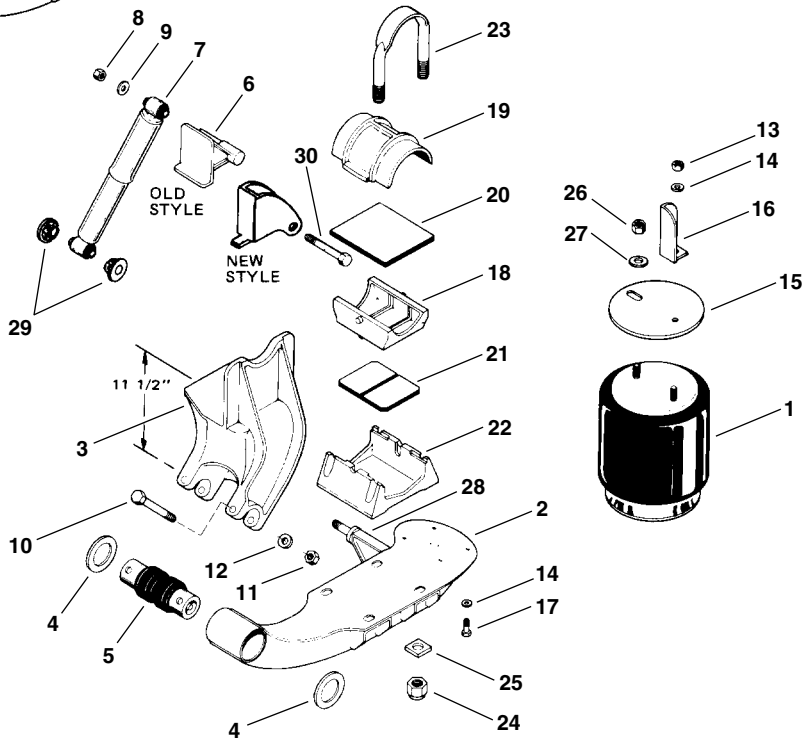
S.O.S. = Available through Meritor's S.O.S. Department

NEWAY SUSPENSION

ART-500-US, ART-551-US-1, -2, -3 Series Truck/Tractor

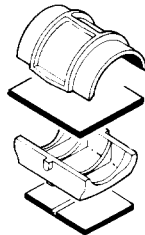


NOTE: For 15" wheel axle connection parts, with cam on horizontal centerline, refer to 15" WHEEL AXLE CONNECTION on last page of this section.



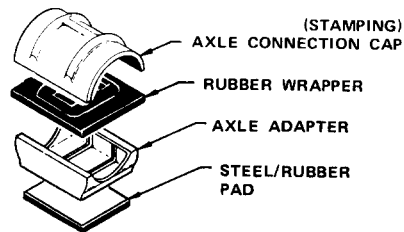
OLD STYLE

5" Rd. (Shown) & 5" Sq.



NEW STYLE

5" Rd. (all parts) & 5" Sq. (axle adapter & pad)



NEWAY SUSPENSION PARTS

ART-500-US, ART-551-US-1, -2, -3 Series

Truck/Tractor

N/A = No Longer Available

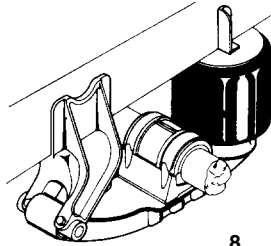
KEY NO.	MERITOR NO.	REPLACES NEWAY NO.	DESCRIPTION	QTY. PER AXLE	ART-				PAGE NO.
					500-US	500-US-1	551-US-2	551-US-3	
1	FS9082	905 57 027	Air Spring Assembly	2	X				—
	FS9101	905 57 009				X	X	X	—
2	S.O.S.	905 15 061	Equalizing Beam, Left Hand	1	X	X	X	X	—
	S.O.S.	905 15 062	Equalizing Beam, Right Hand		X	X	X	X	—
3	N/A	481 00 103	Frame Bracket, Left Hand (SRK-61-1 Left Hand Only)	1	X				—
	N/A	481 00 107				X	X	X	
	N/A	481 00 176	Frame Bracket, Right Hand (SRK-61-2 Right Hand Only)	1	X				—
	N/A	481 00 177				X	X	X	
4	R302958	900 36 003	Washer	1	X	X	X	X	2-35
5	R302936	900 08 005	Bushing	2	X	X	X	X	1-448
6	S.O.S.	905 18 010	Upper Shock Mounting Bracket	2	X	X	X	X	—
7	83128	900 44 162	Fleetline Shock Absorber	2	—	X	X	X	3-23
	83127	900 44 642	GasSLX Shock Absorber						
8	R304347	934 00 492	Lock Nut, 3/4"-10 Thd.	4	X	X	X	X	2-34
9	S.O.S.	936 00 005	Washer, 3/4"	4	X	X	X	X	—
10	R302996	930 03 855	Bolt	4	X	X	X	X	2-33
11	R302983	934 00 498	Lock Nut	4	X	X	X	X	2-34
12	R302546	936 00 162	Washer	4	X	X	X	X	2-35
13	S.O.S.	934 00 136	Hex Nut, 1/2"-13 Thd.	2	X	X	X	X	—
14	S.O.S.	936 00 072	Lock Washer, 1/2"	10	X	X	X	X	—
15	R304321	900 31 027	Air Spring Mounting Plate	2	X	X	X	X	1-475
16	S.O.S.	900 18 018	Air Spring Mounting Bracket	2	X	X	X	X	—
17	S.O.S.	930 02 893	Cap Screw, 1/2"-13 Thd. x 1"	8	X	X	X	X	—
18	R304289	900 01 082	5" Round Axle (New Style)	2	X	X	X	X	1-466
19	R304284	905 10 100	Axle Cap & Shock Bracket, Left Hand, Requires Key No. 28	1	X				1-466
	S.O.S.	905 10 074	Axle Cap & Shock Bracket without Axle Stops, Left Hand, New Style, Requires Key No. 28			X	X	X	—
	N/A	905 10 102	Axle Cap & Shock Bracket, Left Hand, Requires Key No. 28		X				—
	S.O.S.	905 10 076	Axle Cap & Shock Bracket with Axle Stops, Left Hand, New Style, Requires Key No. 28			X	X	X	—
	R304285	905 10 101	Axle Cap & Shock Bracket, Right Hand, Requires Key No. 28	1	X				1-466
	S.O.S.	905 10 075	Axle Cap & Shock Bracket without Axle Stops, Right Hand, New Style, Requires Key No. 28			X	X	X	—
	R304287	905 10 103	Axle Cap & Shock Bracket, Right Hand, Requires Key No. 28		X				1-466
S.O.S.	905 10 077	Axle Cap & Shock Bracket with Axle Stops, Right Hand, New Style, Requires Key No. 28		X	X	X	—		

S.O.S. = Available through Meritor's S.O.S. Department

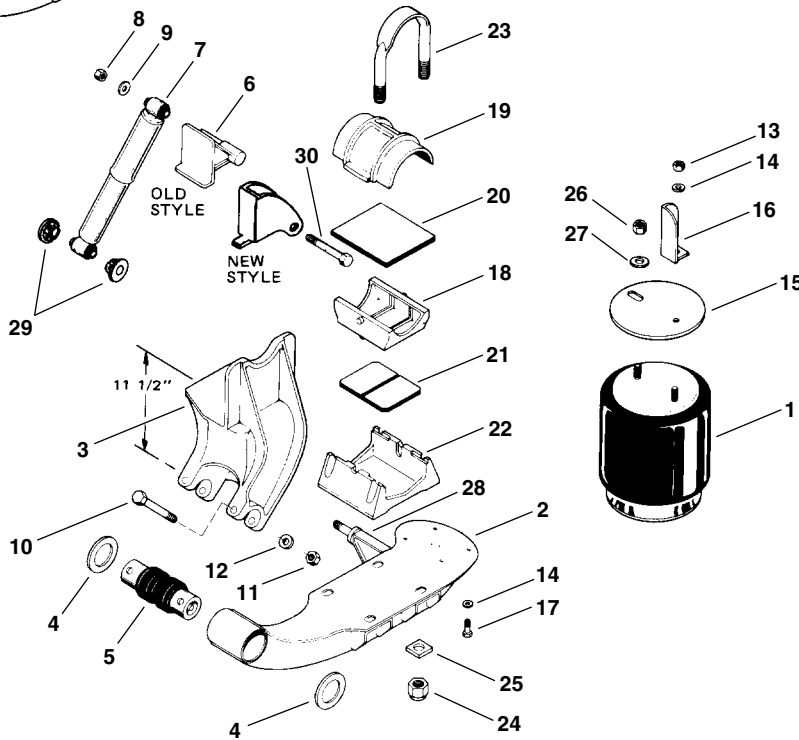
Continued on next page

NEWAY SUSPENSION

ART-500-US, ART-551-US-1, -2, -3 Series Truck/Tractor

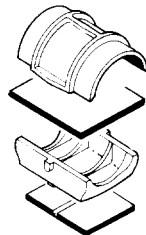


NOTE: For 15" wheel axle connection parts, with cam on horizontal centerline, refer to 15" WHEEL AXLE CONNECTION on last page of this section.



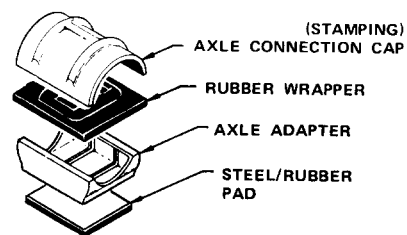
OLD STYLE

5" Rd. (Shown) & 5" Sq.



NEW STYLE

5" Rd. (all parts) & 5" Sq. (axle adapter & pad)



NEWAY SUSPENSION PARTS

ART-500-US, ART-551-US-1, -2, -3 Series

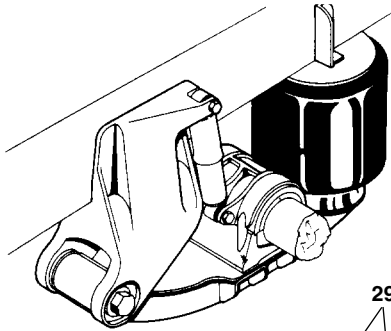
Truck/Tractor

KEY NO.	MERITOR NO.	REPLACES NEWAY NO.	DESCRIPTION	QTY. PER AXLE	ART-				PAGE NO.	
					500-US	500-US-1	551-US-2	551-US-3		
20	R302943 (Rubber)	900 28 047	Wrapper - Round Axle	2	X	X	X	X	1-451	
	R308678 (Poly)								1-451, 2-9	
	R302009 (Rubber)	900 28 007	Wrapper - Round Axle		X	X	X	X	1-451	
	R308673 (Poly)								1-451, 2-9	
21	R302010 (Rubber)	900 28 016	Axle Pad	2	X	X	X	X	1-451	
	R308674 (Poly)								1-451, 2-10	
	R302947A (Rubber)	900 28 043			X	X	X	X	1-452	
22	R304292	900 01 006	Axle Seat	2	X			X	1-468	
	S.O.S.	900 01 008				X				—
	S.O.S.	900 01 007					X			—
23	R30U8479-090	900 41 878	U-Bolt Assembly, Flat Rd. Bend, 1"-14 Thd. x 6 5/16" Wide x 9" Long	4	X			X	2-30	
	R30U8479-124A	900 41 886	U-Bolt Assembly, Flat Rd. Bend, 1"-14 Thd. x 6 5/16" Wide x 12 1/2" Long				X		2-30	
	R30U8479-124A	900 42 792	U-Bolt Assembly, Flat Rd. Bend, 1"-14 Thd. x 6 5/16" Wide x 12 1/2" Long			X			2-30	
24	R304421	934 00 502	Lock Nut	8	X	X	X	X	2-34	
25	R302960	936 00 028	Washer	8	X	X	X	X	1-473, 2-35	
26	R301107	934 00 149	Hex Nut, 3/4"-16 Thd.	2	X	X	X	X	2-34	
27	S.O.S.	936 00 077	Lock Washer, 3/4"	2	X	X	X	X	—	
28	R304345	930 03 597	Bolt, Use with Key No. 19	2	X	X	X	X	1-476, 2-33	
29	R304403 (Rubber)	905 08 004	Shock Absorber Bushing	8	X	X	X	X	2-53, 3-2	
	R308684 (Poly)								2-10, 3-2	
—	R302978A	SRK-4	5" Rd. Axle Connection Kit Includes Key Nos. 20, 21, 23, 24, 25	1	X			X	1-453	
—	R302979A	SRK-126						X	1-454	
—	S.O.S.	SRK-6						X		—

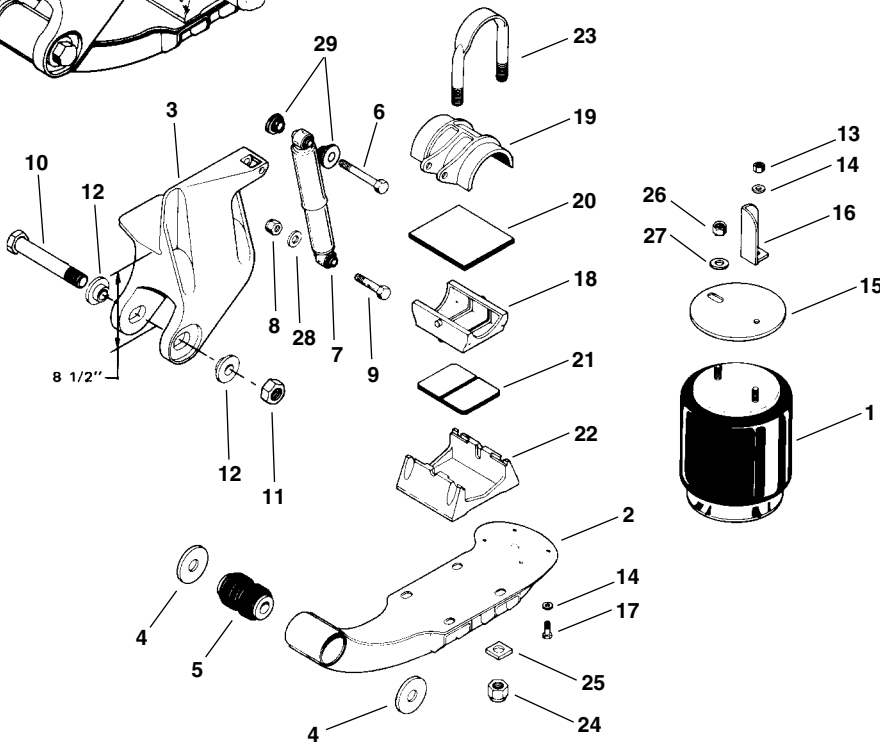
S.O.S. = Available through Meritor's S.O.S. Department

NEWAY SUSPENSION

ART-500-US-A Series Truck/Tractor

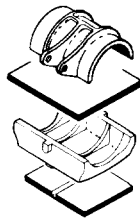


NOTE: For 15" wheel axle connection parts, with cam on horizontal centerline, refer to 15" WHEEL AXLE CONNECTION on last page of this section.



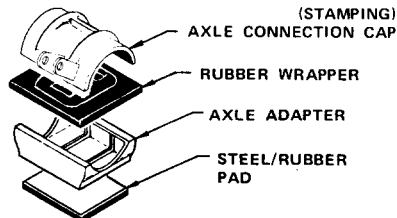
OLD STYLE

5" Rd. (Shown) & 5" Sq.



NEW STYLE

5" Rd. (all parts) & 5" Sq. (axle adapter & pad)



NEWAY SUSPENSION PARTS

ART-500-US-A Series

Truck/Tractor

KEY NO.	MERITOR NO.	REPLACES NEWAY NO.	DESCRIPTION	QTY. PER AXLE	PAGE NO.
1	FS9082	905 57 027	Air Spring Assembly	2	—
2	S.O.S.	905 16 343	Equalizing Beam- Left Hand	1	—
	S.O.S.	905 16 344	Equalizing Beam- Right Hand	1	—
3	S.O.S.	481 00 105	Frame Bracket- Left Hand , SRK-62-1 Left Hand Only	1	—
	S.O.S.	481 00 175	Frame Bracket- Right Hand, SRK-62-2 Right Hand Only	1	—
4	R304363	900 36 140 (Old) 900 36 177 (New)	Washer	4	2-35
5	R304382A	900 08 139	Bushing	2	1-450
6	S.O.S.	930 03 645	Bolt, 3/4"-10 Thd. x 5 1/2"	2	—
7	83128	900 44 162	Fleetline Shock Absorber	2	3-14
8	R304347	934 00 492	Lock Nut, 3/4"-10 Thd.	4	2-34
9	R304345	936 03 599 (Old) 930 03 597 (New)	Bolt	2	1-476, 2-33
10	R304364	932 01 046 (Old) 932 01 055 (New)	Bolt	2	2-32
11	R304358	934 00 506	Lock Nut	2	2-34
12	S.O.S.	900 08 012	Alignment Bushing	4	—
13	S.O.S.	934 00 136	Hex Nut, 1/2"-13 Thd.	2	—
14	S.O.S.	936 00 072	Lock Washer, 1/2"	10	—
15	R304321	900 31 027	Plate	2	1-475
16	S.O.S.	900 31 051	Air Spring Mounting Bracket	2	—
17	S.O.S.	930 02 893	Hex Head Bolt, 1/2"-13 Thd. x 1"	8	—
18	R304289	900 01 082	Adapter	2	1-466
19	R304284	905 10 100	Axle Cap without Axle Stops (New Style)	2	1-466
	R304285	905 10 101			
	N/A	905 10 102	Axle Cap with Axle Stops (New Style)		1-466
20	R302943 (Rubber)	900 28 047	Wrapper, Round Axle (New Style)	2	1-451
	R308678 (Poly)				1-451, 2-9
	R302009 (Rubber)	900 28 007	Wrapper, Round Axle (Old Style)		1-451
	R308673 (Poly)				1-451, 2-9
21	R302010 (Rubber)	900 28 016 (Old Style)	Pad	2	1-451
	R308674 (Poly)				1-451, 2-10
	R302947A (Rubber)	900 28 075 (New Style)			1-452
	R308680 (Poly)				1-452, 2-10
22	R304292	900 01 006	Axle Seat	2	1-468
23	R30U8479-090	900 41 878	U-Bolt Assembly, Flat Rd. Bend, 1"-14 Thd. x 6 5/16" Wide x 9" Long	4	2-30
24	R304421	934 00 502	Lock Nut	8	2-34
25	R302960	936 00 028	Washer	8	1-473, 2-35
26	R301107	934 00 149	Hex Nut, 3/4"-16 Thd.	2	2-34
27	S.O.S.	936 00 077	Lock Washer, 3/4"	2	—
28	S.O.S.	936 00 005	Washer, 3/4"	2	—
29	R304403 (Poly)	905 08 004	Bushing	8	2-53, 3-2
	R308684 (Poly)				2-10, 3-2
—	R304398A	SRK-12 481 00 023	Pivot Connection Kit Includes Key Nos. 5, 10, 11	1	1-457
—	R302978A	SRK-4	5" Round Axle Connection Kit (Old Style) Includes Key Nos. 20, 21, 23, 24, 25	1	1-453
—	R302977A	SRK-64 481 00 108	5" Round Axle Connection Kit (New Style) Includes Key Nos. 20, 21, 23, 24, 25	1	1-453

S.O.S. = Available through Meritor's S.O.S. Department

NEWAY SUSPENSION PARTS

ART-505-B, B-1, ART-555-B-1, -2 -3 Series

Truck/Tractor

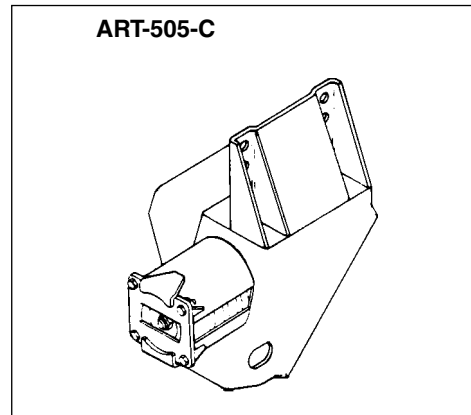
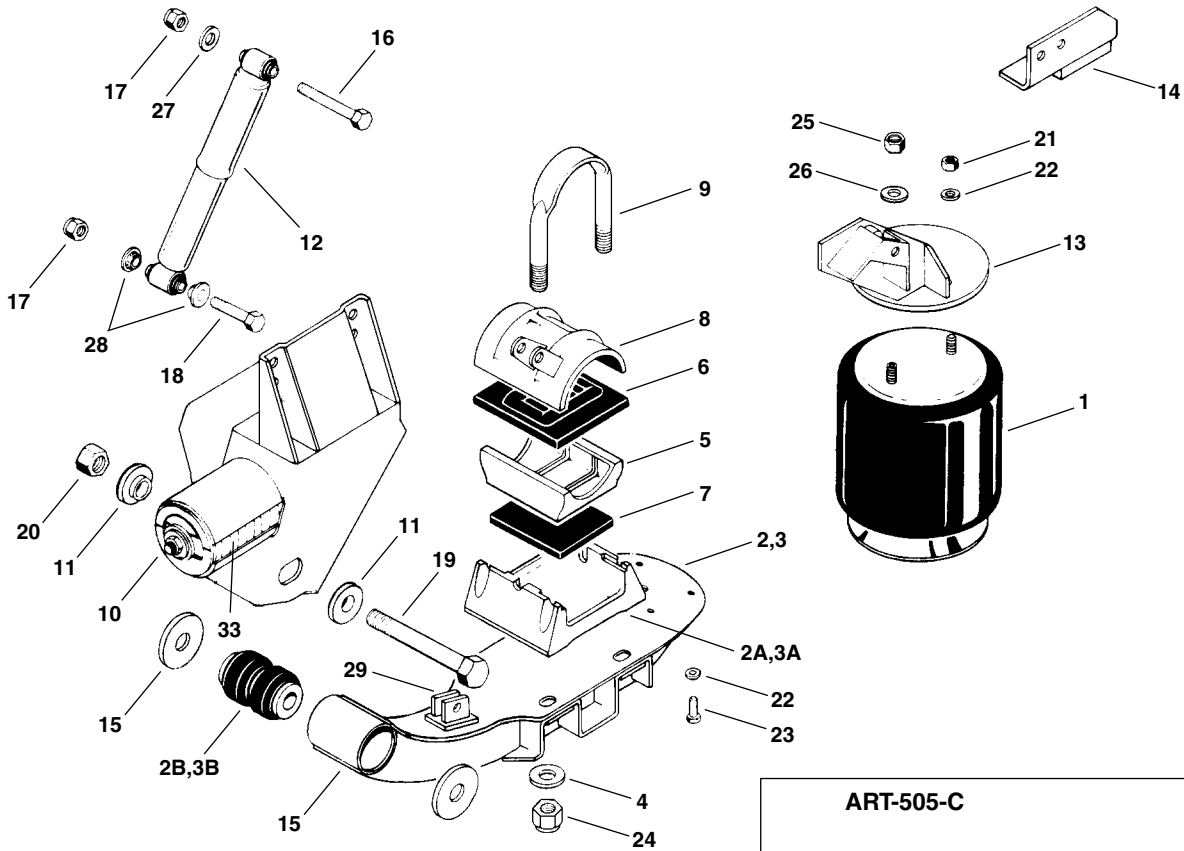
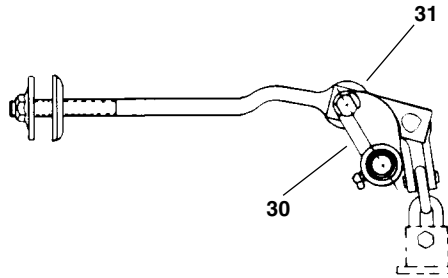
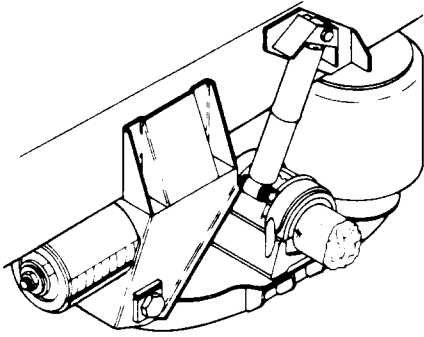
KEY NO.	MERITOR NO.	REPLACES NEWAY NO.	DESCRIPTION	QTY. PER AXLE	ART-					PAGE NO.					
					505-B	505-B-1	555-B-1	555-B2	555-B3						
1	FS9082	905 57 027	Air Spring Assembly	2	X	X				—					
	FS9101	905 57 009					X	X	X	—					
2	S.O.S.	905 16 335	Equalizing Beam Assembly, Left Hand Includes Key Nos. 2A & 2B	1	X				X	—					
	S.O.S.	905 16 337				X	X								
	S.O.S.	905 16 341				X									
2A	R304292	900 01 006	Axle Seat	1	X				X	1-468					
	S.O.S.	905 01 037				X	X		—						
	S.O.S.	900 01 008					X		—						
2B	R304382A	900 08 139	Bushing	1	X	X	X	X	X	1-450					
3	S.O.S.	905 16 336	Equalizing Beam Assembly, Right Hand Includes Key Nos. 3A & 3B	1	X				X	—					
	S.O.S.	905 16 338				X	X								
	S.O.S.	905 16 342					X								
3A	R304292	900 01 006	Axle Seat	1	X				X	1-468					
	S.O.S.	905 01 037				X	X		—						
	S.O.S.	900 01 008					X		—						
3B	R304382A	900 08 139	Bushing	1	X	X	X	X	X	1-450					
4	R304353	939 00 027	Washer, 1 5/8"	8	X	X	X	X	X	2-35					
5	R304289	900 01 082	Adapter, 5" Round Axle	2	X	X	X	X	X	1-466					
	R304290	900 01 083	Adapter, 5" Square Axle		X	X	X	X	X	1-467					
6	R302943 (Rubber)	900 28 047	Wrapper, 5" Round Axle	2	X	X	X	X	X	1-451					
	R308678 (Poly)									1-451, 2-9					
	R304409 (Rubber)									900 28 073	Wrapper, 5" Square Axle	X	X	X	X
7	R302947A (Rubber)	900 28 075	Axle Pad	2	X	X	X	X	X	1-452					
	R308680 (Poly)									1-452, 2-10					
8	S.O.S.	905 10 061	Axle Cap Assembly, LH Rd. without Stops	1	X	X	X	X	X	—					
	S.O.S.	905 10 063	Axle Cap Assembly, LH Rd. with Stops							—					
	S.O.S.	905 10 062	Axle Cap Assembly, RH Rd. without Stops	1	X	X	X	X	X	—					
	S.O.S.	905 10 064	Axle Cap Assembly, RH Rd. with Stops							—					
9	R30U8479-090	900 41 878	U-Bolt Assembly, Flat Rd. Bend, 1"-14 Thd. x 6 5/16" Wide x 9" Long	4	X				X	2-30					
	R30U8479-104	900 42 79	U-Bolt Assembly, Flat Rd. Bend, 1"-14 Thd. x 6 5/16" Wide x 10 1/2" Long								X	X		2-30	
	R30U8479-124A	900 42 792	U-Bolt Assembly, Flat Rd. Bend, 1"-14 Thd. x 6 5/16" Wide x 12 1/2" Long									X			2-30
	R30U8578-094	900 41 997	U-Bolt Assembly, Flat Sq. Bend, 1"-14 Thd. x 6 5/16" Wide x 9 1/2" Long							X				X	2-30
	R30U8578-124A	900 42 794	U-Bolt Assembly, Flat Sq. Bend, 1"-14 Thd. x 6 5/16" Wide x 12 1/2" Long								X		X		2-30
	R30U8578-124A	900 42 795	U-Bolt Assembly, Flat Sq. Bend, 1"-14 Thd. x 6 5/16" Wide x 12 1/2" Long									X			2-30
10	S.O.S.	905 19 995	Adjustable Frame Bracket Assembly with Holes, Left Hand	1	X	X									
	S.O.S.	905 19 993									X	X	X	—	
	S.O.S.	905 19 996	Adjustable Frame Bracket Assembly with Holes, Right Hand	1	X	X									
	S.O.S.	905 19 994										X	X	X	—
11	R309284	900 08 147	Alignment Block	2	X	X	X	X	X	1-472					

S.O.S. = Available through Meritor's S.O.S. Department

Continued on next page

NEWAY SUSPENSION

ART-505-B, B-1, ART-555-B-1, -2 -3 Series Truck/Tractor



1

NEWAY SUSPENSION

ART-505-B, B-1, ART-555-B-1, -2 -3 Series

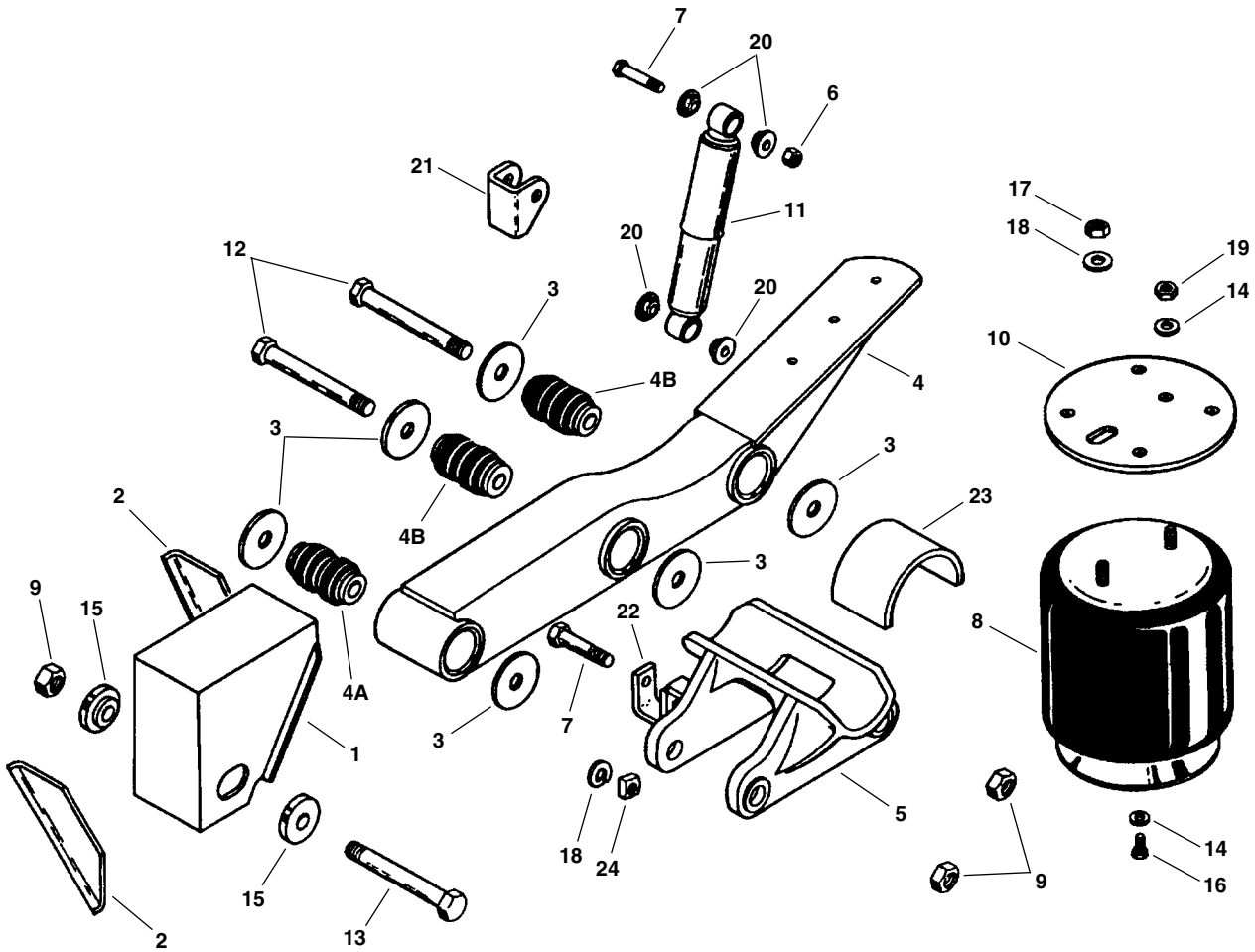
Truck/Tractor

KEY NO.	MERITOR NO.	REPLACES NEWAY NO.	DESCRIPTION	QTY. PER AXLE	ART-					PAGE NO.	
					505-B	505-B-1	555-B-1	555-B2	555-B3		
12	83128	900 44 162	Fleetline Shock Absorber	2	X	X	X			3-14	
	83127	900 44 642	Fleetline Shock Absorber					X	X		
13	S.O.S.	905 18 319	Air Spring & Shock Bracket Assembly, Left Hand	1	X		X		X	—	
	S.O.S.	905 18 321				X		X			
	S.O.S.	905 18 320	Air Spring & Shock Bracket Assembly, Right Hand	1	X		X		X	—	
	S.O.S.	905 18 322				X		X			
14	S.O.S.	905 44 241	Axle Stop Assembly, Left Hand, 5" Round Axle	1		X				—	
	S.O.S.	905 44 243				X	X				
	S.O.S.	905 44 245						X			
	S.O.S.	905 44 247							X		
	S.O.S.	905 44 242	Axle Stop Assembly, Right Hand, 5" Round Axle	1		X				—	
	S.O.S.	905 44 244				X	X				
	S.O.S.	905 44 246						X			
	S.O.S.	905 44 248							X		
15	R304363	900 36 177	Washer	4	X	X	X	X	X	2-35	
16	S.O.S.	930 03 645	Bolt	2	X	X	X	X	X	—	
17	S.O.S.	934 00 492	Lock Nut	4	X	X	X	X	X	—	
18	R304345	936 03 599 (Old) 930 03 597 (New)	Bolt	2	X	X	X	X	X	1-476, 2-33	
19	R304364	932 01 046 (Old) 932 01 055 (New)	Hex Head Bolt, 1 1/8"-7 Thd. x 9 1/4"	2	X	X	X	X	X	2-32	
20	R304358	934 00 506	Nut	2	X	X	X	X	X	2-34	
21	S.O.S.	934 00 136	Hex Nut, 1/2"-13 Thd.	2	X	X	X	X	X	—	
22	S.O.S.	936 00 072	Lock Washer, 1/2"	8	X	X	X	X	X	—	
23	S.O.S.	930 02 893	Hex Head Bolt, 1/2"-13 Thd. x 1"	6	X	X	X	X	X	—	
24	R304421	934 00 502	Lock Nut	8	X	X	X	X	X	2-34	
25	R301107	934 00 149	Hex Nut, 3/4"-16 Thd.	2	X	X	X	X	X	2-34	
26	S.O.S.	936 00 077	Lock Washer, 3/4"	2	X	X	X	X	X	—	
27	S.O.S.	936 00 005	Washer, 3/4"	2	X	X	X	X	X	—	
28	R304403 (Rubber)	905 08 004	Shock Absorber Bushing	8	X	X	X	X	X	2-53, 3-2	
	R308684 (Poly)									2-10, 3-2	
29	S.O.S.	905 31 040	Beam Lift Bracket	2	X	X	X	X	X	—	
30	R304399	SRK-96	Cam Assembly, 1"	1	X	X	X	X	X	1-463	
31	R304400	SRK-103	Coil Spring Lift Kit, 1/2" Pin	1	X	X	X	X	X	1-463	
	R3010799	SRK-158	Coil Spring Lift Kit for ART-505C	1						1-463	
32	S.O.S.	SRK-159 481 00 216	Coil Spring Replacement, For "B" Models Only	2	X	X	X	X	X	—	
—	R304398A	SRK-145 481 00 202	Pivot Connection Kit Includes Key Nos. 2B, 4, 19, 20	1	X	X	X	X	X	1-457	
—	R302977A	SRK-64 481 00 108	5" Round Axle Connection Kit Includes Key Nos. 4, 6, 7, 9, 24	1	X				X	1-453	
—	S.O.S.	SRK-66 481 00 110				X	X				—
—	R304390	SRK-128 481 00 181						X			1-454

S.O.S. = Available through Meritor's S.O.S. Department

NEWAY SUSPENSION

ARU-92-8, -9, -10, -12 Series Trailer



1

NEWAY SUSPENSION PARTS

ARU-92-8, -9, -10, -12 Series

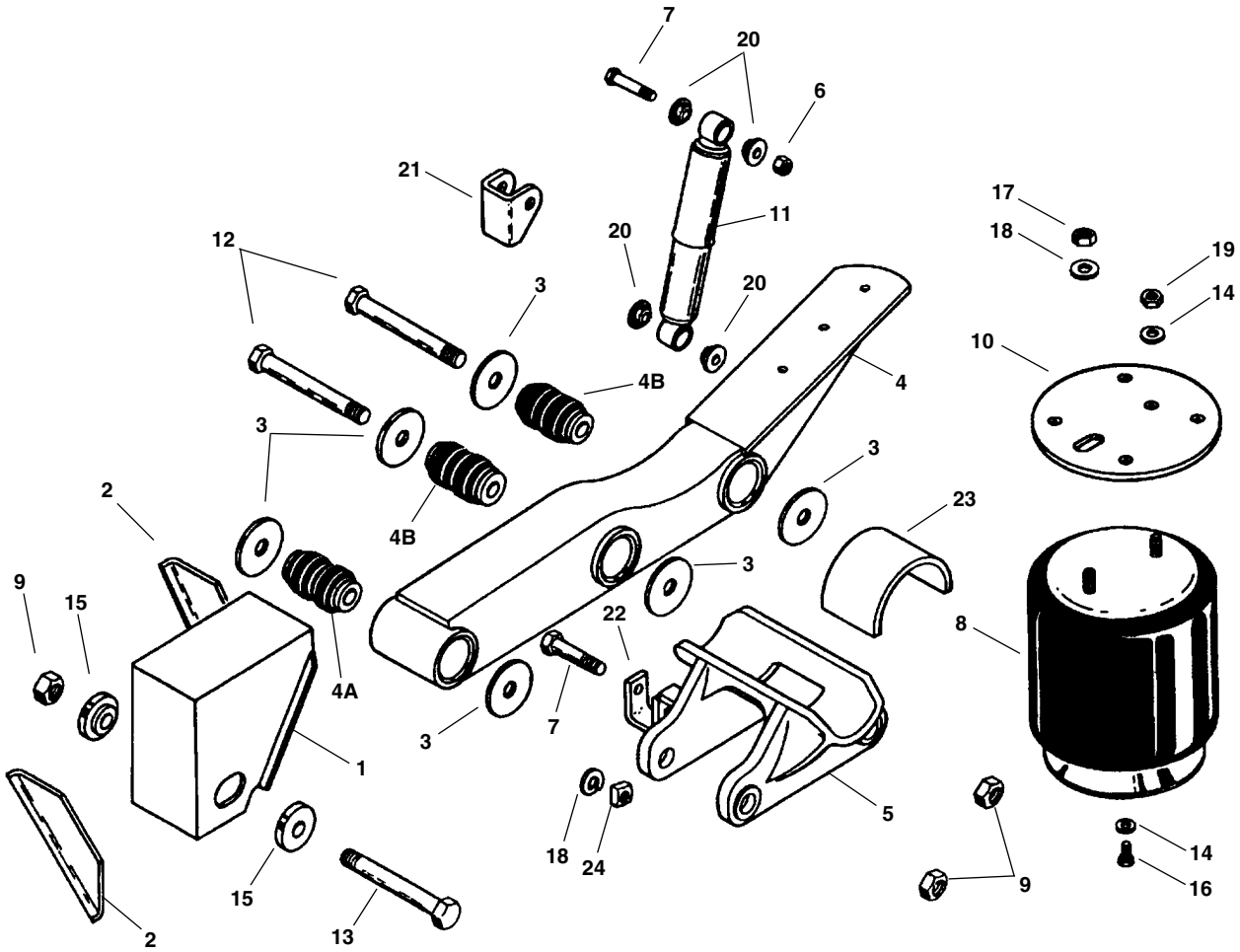
Trailer

KEY NO.	MERITOR NO.	NEWAY REPLACES NO.	DESCRIPTION	PER QTY. AXLE	ARU-92-				PAGE NO.
					8	9	10	12	
1	S.O.S.	905 20 346	Adjustable Frame Bracket Assembly	1		X			—
	S.O.S.	905 19 710				X			
	S.O.S.	905 20 395					X		
	S.O.S.	905 19 712						X	
	S.O.S.	905 20 397	Fixed Frame Bracket Assembly	1		X			—
	S.O.S.	905 19 711				X			
	S.O.S.	905 20 396					X		
	S.O.S.	905 19 713						X	
2	S.O.S.	900 23 002	Angle Brace	4	X	X			—
	S.O.S.	900 23 001					X	X	
3	R304363	900 36 177	Washer	12	X	X	X	X	2-35
4	S.O.S.	905 16 552	Equalizing Beam, Left Hand, Includes Key Nos. 4A & 4B	1	X	X	X	X	—
	S.O.S.	905 16 553	Equalizing Beam, Right Hand, Includes Key Nos. 4A & 4B	1	X	X	X	X	
4A	R304382A	900 08 139	Bushing	2	X	X	X	X	1-450
4B	R304410A	900 08 149	Center Beam Bushing	4	X	X	X	X	1-448
5	S.O.S.	905 01 263	Adapter, Left Hand	1	X	X	X	X	—
	S.O.S.	905 01 264	Adapter, Right Hand	1	X	X	X	X	
6	R304347	934 00 492	Lock Nut	2	X	X	X	X	2-34
7	R304345	936 03 599 (Old) 930 03 597 (New)	Bolt	4	X	X	X	X	1-476, 2-33
8	FS9921	905 57 117	Air Spring Assembly	2	X				—
	FS9243	905 57 112				X	X		
	FS9346	905 57 126						X	
9	R304358	934 00 506	Lock Nut	6	X	X	X	X	2-34
10	S.O.S.	900 33 785	Air Spring Mounting Plate	2	X	X	X	X	—
11	83127	900 44 642	Fleetline Shock Absorber	2	X	X	X		3-14
	83128	900 44 162						X	
12	R304361	932 01 051	Bolt	4	X	X	X	X	1-472, 2-32
13	R304364	932 01 046 (Old) 932 01 055 (New)	Bolt	2	X	X	X	X	2-32
14	S.O.S.	936 00 072	Lock Washer, 1/2"	4	X	X	X	X	—
15	R309284	900 08 147	Alignment Block	4	X	X	X	X	1-472
16	S.O.S.	930 02 969	Cap Screw, 1/2"-13 Thd. x 4"	2	X				—
	S.O.S.	930 02 993	Cap Screw, 1/2"-13 Thd. x 5"			X	X		
	S.O.S.	930 03 029	Cap Screw, 1/2"-13 Thd. x 6 1/2"					X	
17	R301107	934 00 149	Hex Nut, 3/4"-16 Thd.	2	X	X	X	X	2-34
18	S.O.S.	936 00 077	Lock Washer, 3/4"	4	X	X	X	X	—
19	S.O.S.	934 00 136	Hex Nut, 1/2"-13 Thd.	2	X	X	X	X	—
20	R304403 (Rubber)	905 08 004	Shock Absorber Bushing	8	X	X	X	X	2-53, 3-2 2-10, 3-2
	R308684 (Poly)								
21	S.O.S.	905 19 040	Upper Shock Bracket	2	X	X	X	X	—
22	S.O.S.	905 19 773	Lower Shock Bracket	2	X	X	X	X	—
23	S.O.S.	900 25 288	Safety Strap	2	X	X	X	X	—
24	S.O.S.	934 00 367	Square Nut, 3/4"-10 Thd.	2	X	X	X	X	—
—	S.O.S.	941 00 590	Torque Decal	1	X	X	X	X	—

S.O.S. = Available through Meritor's S.O.S. Department

NEWAY SUSPENSION

ARU-93-6, -7, -8, -9, -10 Series Trailer



1

NEWAY SUSPENSION PARTS

ARU-93-6, -7, -8, -9, -10 Series

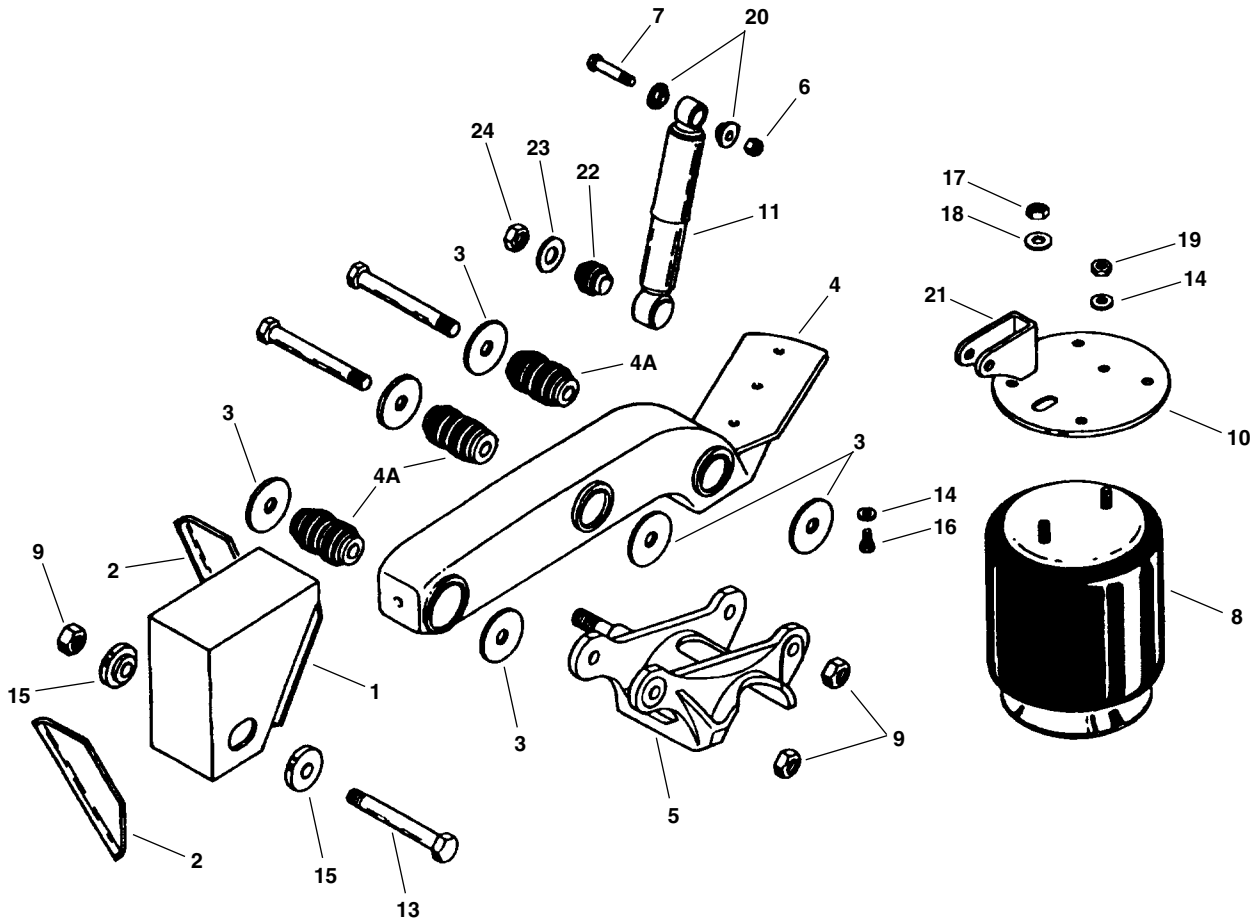
Trailer

KEY NO.	MERITOR NO.	REPLACES NEWAY NO.	DESCRIPTION	QTY. PER AXLE	ARU-93-					PAGE NO.
					6	7	8	9	10	
1	S.O.S.	905 20 346	Adjustable Frame Bracket Assembly	1	X	X				—
	S.O.S.	905 19 710					X	X		
	S.O.S.	905 20 235							X	
	S.O.S.	905 20 397	Fixed Frame Bracket Assembly	1	X	X				—
	S.O.S.	905 19 711					X	X		
S.O.S.	905 20 236						X			
2	S.O.S.	900 23 002	Angle Brace	4	X	X	X	X		—
	S.O.S.	900 23 001							X	
3	R304363	900 36 177	Washer	12	X	X	X	X	X	2-35
4	S.O.S.	905 16 552	Equalizing Beam, Left Hand, Includes Key Nos. 4A & 4B	1	X	X	X	X	X	—
	S.O.S.	905 16 553	Equalizing Beam, Right Hand, Includes Key Nos. 4A & 4B		X	X	X	X	X	—
4A	R304382A	900 08 139	Bushing	2	X	X	X	X	X	1-450
4B	R304410A	900 08 149	Center Beam Bushing	4	X	X	X	X	X	1-448
5	S.O.S.	905 01 263	Adapter, Left Hand	1	X	X	X	X	X	—
	S.O.S.	905 01 264	Adapter, Right Hand	1	X	X	X	X	X	—
6	R304347	934 00 492	Lock Nut, 3/4"-10 Thd.	2	X	X	X	X	X	2-34
7	R304345	936 03 599 (Old) 930 03 597 (New)	Bolt	4	X	X	X	X	X	1-476, 2-33
8	FS9921	905 57 117	Air Spring Assembly	2	X	X				—
	FS9923	905 57 118					X			—
	FS9922	905 57 119						X	X	—
9	R304358	934 00 506	Lock Nut	6	X	X	X	X	X	2-34
10	S.O.S.	900 33 785	Air Spring Mounting Plate	2	X	X	X	X	X	—
11	83127	900 44 642	Fleetline Shock Absorber	2	X	X	X	X	X	3-14
12	R304361	932 01 051	Bolt	4	X	X	X	X	X	1-472, 2-32
13	R304364	932 01 046 (Old) 932 01 055 (New)	Bolt	2	X	X	X	X	X	2-32
14	S.O.S.	936 00 072	Lock Washer, 1/2"	4	X	X	X	X	X	—
15	R309284	900 08 147	Alignment Block	4	X	X	X	X	X	1-472
16	S.O.S.	930 02 969	Cap Screw, 1/2"-13 Thd. x 4"	2		X				—
	S.O.S.	930 02 993	Cap Screw, 1/2"-13 Thd. x 5"		X		X			
	S.O.S.	930 03 029	Cap Screw, 1/2"-13 Thd. x 6 1/2"				X	X		
17	R301107	934 00 149	Hex Nut, 3/4"-16 Thd.	2	X	X	X	X	X	2-34
18	S.O.S.	936 00 077	Lock Washer, 3/4"	4	X	X	X	X	X	—
19	S.O.S.	934 00 136	Hex Nut, 1/2"-13 Thd.	2	X	X	X	X	X	—
20	R304403 (Rubber)	905 08 004	Shock Absorber Bushing	8	X	X	X	X	X	2-53, 3-2
	R308684 (Poly)									2-10, 3-2
21	S.O.S.	905 19 040	Upper Shock Bracket	2	X	X	X	X	X	—
22	S.O.S.	905 19 773	Lower Shock Bracket	2	X	X	X	X	X	—
23	S.O.S.	900 25 288	Safety Strap	2	X	X	X	X	X	—
24	S.O.S.	934 00 367	Square Nut, 3/4"-10 Thd.	2	X	X	X	X	X	—
—	S.O.S.	941 00 590	Torque Decal	1	X	X	X	X	X	—

S.O.S. = Available through Meritor's S.O.S. Department

NEWAY SUSPENSION

RL-196 Series Trailer



1

NEWAY SUSPENSION PARTS

RL-196 Series

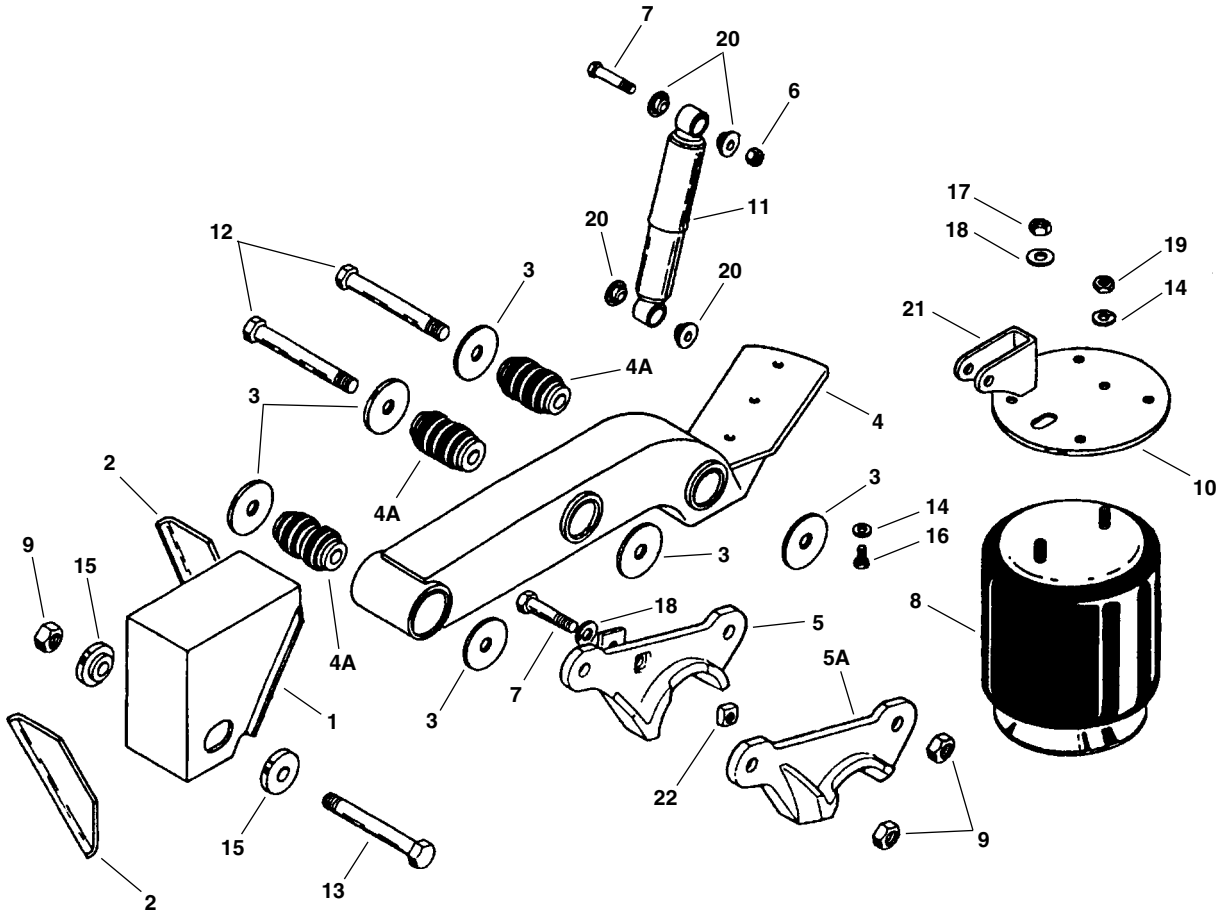
Trailer

KEY NO.	MERITOR NO.	NEWAY REPLACES NO.	DESCRIPTION	PER QTY. AXLE	RL-196-					PAGE NO.
					-12	-14	-15	-16	-17	
1	S.O.S.	905 20 367	Frame Bracket - Adjustment	2	X					—
	S.O.S.	905 20 363				X				
	S.O.S.	905 20 338					X			
	S.O.S.	905 20 340						X	X	
2	S.O.S.	900 23 002	Angle Brace	4	X	X	X			—
	S.O.S.	900 23 001						X	X	
3	R304363	900 36 177	Washer	12	X	X	X	X	X	2-35
4	S.O.S.	905 16 542	Equalizing Beam, Left Hand	1	X	X	X	X	X	—
	S.O.S.	905 16 543	Equalizing Beam, Right Hand	1	X	X	X	X	X	—
4A	R304410A	900 08 149	Rubber Bushing	6	X	X	X	X	X	1-448
5	S.O.S.	481 00 291	Axle Adapter 5" Round Axle, Left Hand	1	X	X	X	X	X	—
	S.O.S.	481 00 292	Axle Adapter 5" Round Axle, Right Hand	1	X	X	X	X	X	—
6	R304347	934 00 492	Lock Nut, 3/4"-10 Thd.	2	X	X	X	X	X	2-34
7	R304345	936 03 599 (Old) 930 03 597 (New)	Bolt, 3/4"-10 Thd. x 3 1/2"	2	X	X	X	X	X	1-476, 2-33
8	FS9293	905 57 120	Air Spring Assembly	2		X				—
	FS9295	905 57 121					X	X		—
	FS9291	905 57 122							X	—
	FS9294	905 57 127			X					—
9	R304358	934 00 506	Lock Nut, 1 1/8"-7 Thd.	6	X	X	X	X	X	2-34
10	S.O.S.	900 33 785	Air Spring Mounting Plate	2	X	X	X	X	X	—
11	83115	900 44 977	Fleetline Shock Absorber	2	X					3-13
	85059	900 44 978				X	X			
	83113	900 44 979						X	X	
12	R304361	932 01 051	Bolt, 1 1/8"-7 Thd. x 8 1/2"	4	X	X	X	X	X	1-472, 2-32
13	R304364	932 01 046 (Old) 932 01 055 (New)	Bolt, 1 1/8"-7 Thd. x 9 1/4"	2	X	X	X	X	X	2-32
14	S.O.S.	936 00 072	Lock Washer, 1/2"	4	X	X	X	X	X	—
15	R309284	900 08 147	Alignment Block	4	X	X	X	X	X	1-472
17	R301107	934 00 149	Hex Nut, 3/4"-16 Thd.	2	X	X	X	X	X	2-34
18	S.O.S.	936 00 077	Lock Washer, 3/4"	2	X	X	X	X	X	—
19	S.O.S.	934 00 136	Hex Nut 1/2"-13 Thd.	2	X	X	X	X	X	—
20	R304403 (Rubber)	905 08 004	Shock Absorber Bushing	4	X	X	X	X	X	2-53, 3-2
21	S.O.S.	900 18 445	Upper Shock Bracket	2	X	X	X	X	X	—
22	R30401754	900 08 182	Rubber Bushing, Lower Shock Connection	2	X	X	X	X	X	3-2
23	S.O.S.	936 00 168	Flat Washer	1	X	X	X	X	X	—
24	R304421	934 00 500	Lock Nut, 1"-8 Thd.	2	X	X	X	X	X	2-34
—	R309294	SRK-203 481 00 264	Pivot Connection Kit	2	X	X	X	X	X	1-457
—	R304411A	SRK-149 481 00 206	20" Wheels Axle Connection Kit, 5" Round Axle	2	X	X	X	X	X	1-456

S.O.S. = Available through Meritor's S.O.S. Department

NEWAY SUSPENSION

RL-196A Series Trailer



1

NEWAY SUSPENSION PARTS

RL-196A Series

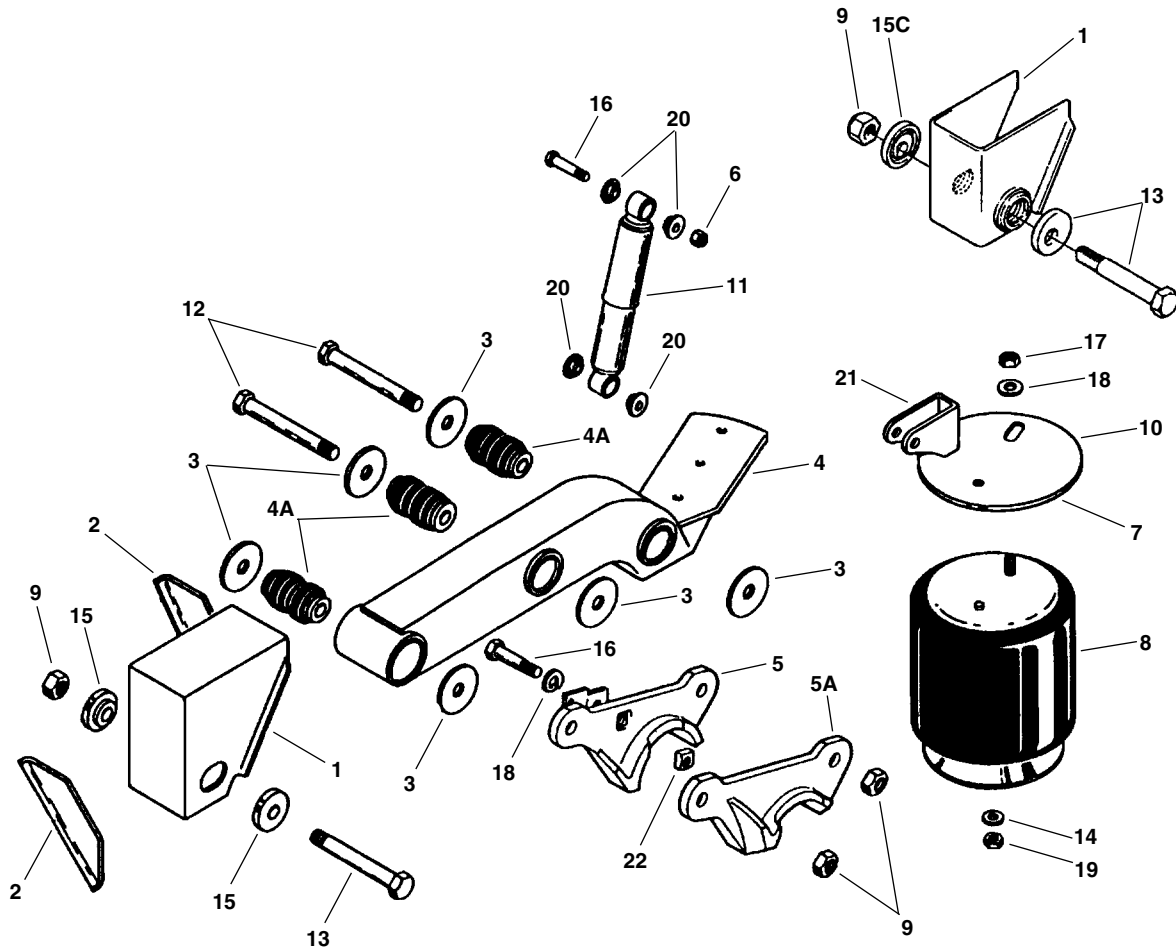
Trailer

KEY NO.	MERITOR NO.	REPLACES NEWAY NO.	DESCRIPTION	QTY. PER AXLE	RL-196A-					PAGE NO.
					12	14	15	16	17	
1	S.O.S.	905 20 367	Adjustable Frame Bracket Assembly	2		X				—
	S.O.S.	905 20 363			X					
	S.O.S.	905 20 338					X			
	S.O.S.	905 20 340						X	X	
	S.O.S.	900 25 257			X					
2	S.O.S.	900 23 002	Angle Brace	4		X	X			—
	S.O.S.	900 23 001						X	X	
3	R304363	900 36 177	Washer	12	X	X	X	X	X	2-35
4	S.O.S.	905 16 542	Equalizing Beam, Left Hand, Includes Key No. 4A	1	X	X	X	X	X	—
	S.O.S.	905 16 543	Equalizing Beam, Right Hand, Includes Key No. 4A	1	X	X	X	X	X	—
4A	R304410A	900 08 149	Center Beam Bushing	6	X	X	X	X	X	1-448
5	S.O.S.	905 01 261	Adapter, Left Hand, Inside	1	X	X	X	X	X	—
	S.O.S.	905 01 262	Adapter, Right Hand, Inside	1	X	X	X	X	X	—
5A	S.O.S.	900 01 195	Adapter, Left Hand, Outside	1	X	X	X	X	X	—
	S.O.S.	900 01 196	Adapter- Right Hand, Outside	1	X	X	X	X	X	—
6	R304347	934 00 492	Lock Nut, 3/4"-10 Thd.	2	X	X	X	X	X	2-34
7	S.O.S.	930 03 609	Bolt, 3/4"-10 Thd. x 4"	4	X	X	X	X	X	—
8	FS9294	905 57 127	Air Spring Assembly	2	X					—
	FS9293	905 57 120				X				—
	FS9295	905 57 121					X	X		—
	FS9291	905 57 139							X	—
9	R304358	934 00 506	Lock Nut	6	X	X	X	X	X	2-34
10	S.O.S.	905 31 233	Air Spring Mounting Plate & Upper Shock Bracket Assembly, Right Hand	1	X	X	X	X	X	—
	S.O.S.	905 31 234	Air Spring Mounting Plate & Upper Shock Bracket Assembly, Left Hand	1	X	X	X	X	X	—
11	83128	900 44 162	Fleetline Shock Absorber	2	X					3-14
	83130	900 45 040				X	X			
	83127	900 44 794						X	X	
12	R304361	932 01 051	Bolt	4	X	X	X	X	X	1-472, 2-32
13	R304364	932 01 046 (Old) 932 01 055 (New)	Bolt	2	X	X	X	X	X	2-32
14	S.O.S.	936 00 072	Lock Washer, 1/2"	4	X	X	X	X	X	—
15	R309284	900 08 147	Alignment Block	4	X	X	X	X	X	1-472
16	S.O.S.	930 02 921	Cap Screw, 1/2"-13 Thd. x 2"	2	X					—
	S.O.S.	930 02 969	Cap Screw, 1/2"-13 Thd. x 4"			X				—
	S.O.S.	930 02 993	Cap Screw, 1/2"-13 Thd. x 5"				X	X		—
	S.O.S.	930 03 029	Cap Screw, 1/2"-13 Thd. x 6 1/2"						X	—
17	R301107	934 00 149	Hex Nut, 3/4"-16 Thd.	2	X	X	X	X	X	2-34
18	S.O.S.	936 00 077	Lock Washer, 3/4"	4	X	X	X	X	X	—
19	R302988	934 00 136	Hex Nut	2	X	X	X	X	X	1-478, 2-34
20	R304403 (Rubber)	905 08 004	Shock Absorber Bushing	8	X	X	X	X	X	2-53, 3-2
	R308684 (Poly)									2-10, 3-2
21	S.O.S.	900 18 445	Upper Shock Bracket	2	X	X	X	X	X	—
22	S.O.S.	934 00 367	Square Nut, 3/4"-10 Thd.	2	X	X	X	X	X	—
—	S.O.S.	941 00 590	Torque Decal	1	X	X	X	X	X	—

S.O.S. = Available through Meritor's S.O.S. Department

NEWAY SUSPENSION

RL-228-14, -15, -16, -17 Series Trailer



1

NEWAY SUSPENSION PARTS

RL-228-14, -15, -16, -17 Series

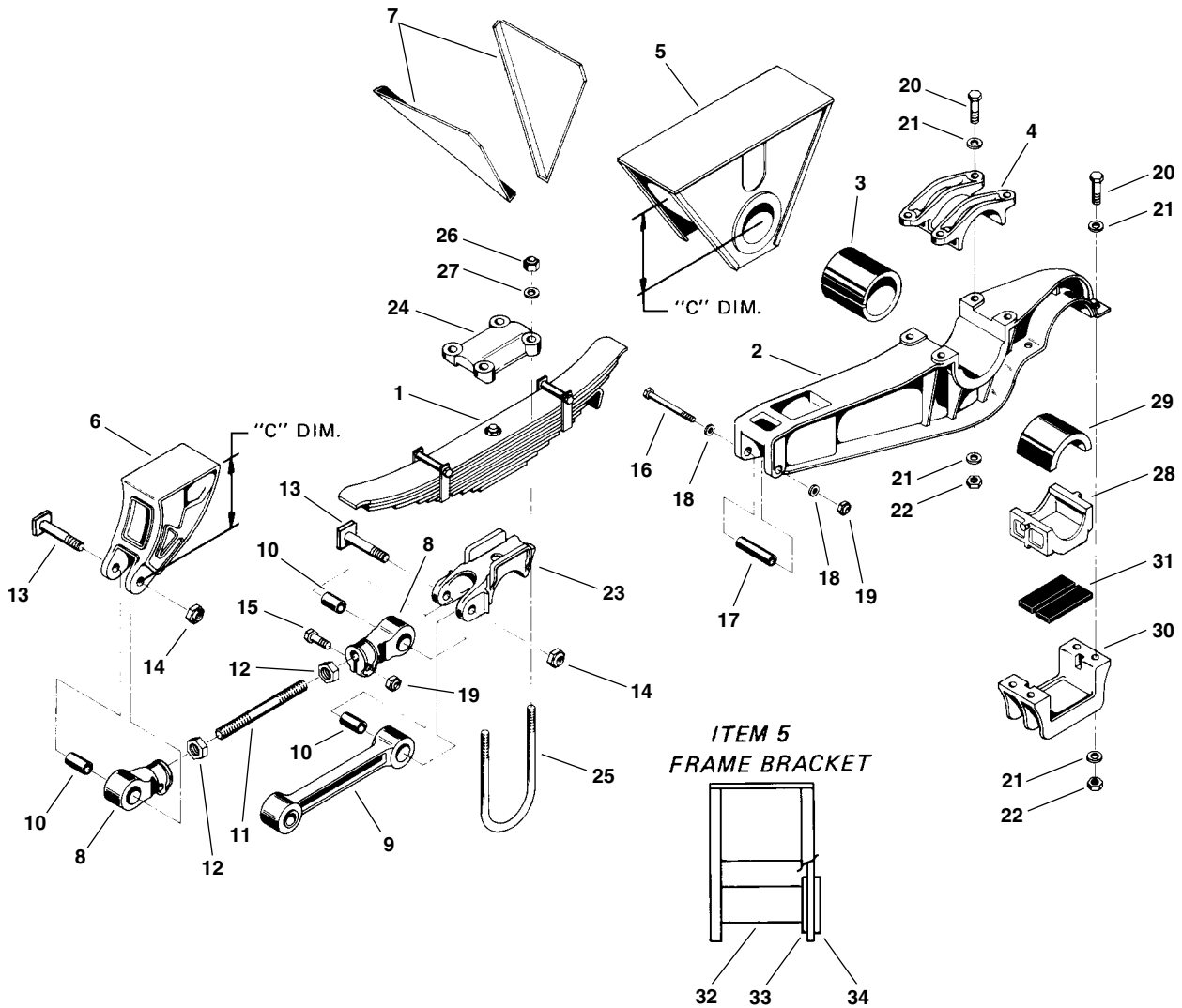
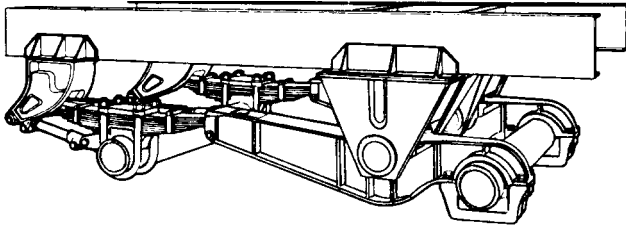
Trailer

KEY NO.	MERITOR NO.	REPLACES NEWAY NO.	DESCRIPTION	QTY. PER AXLE	RL-228-				PAGE NO.
					14	15	16	17	
1	S.O.S.	Various	Frame Bracket	2	X	X	X	X	—
2	S.O.S.	900 23 157	Angle Brace	4	X				—
	S.O.S.	900 23 002				X	X	X	
3	R304363	900 36 177	Washer	12	X	X	X	X	2-35
4	S.O.S.	905 16 566	Equalizing Beam, Left Hand, Includes Key No. 4A	1	X	X	X	X	—
	S.O.S.	905 16 567	Equalizing Beam, Right Hand, Includes Key No. 4A	1	X	X	X	X	—
4A	R304410A	900 08 149	Center Beam Bushing	6	X	X	X	X	1-448
5	S.O.S.	905 01 261	Adapter, Left Hand, Inside	1	X	X	X	X	—
	S.O.S.	905 01 262	Adapter, Right Hand, Inside	1	X	X	X	X	—
5A	S.O.S.	900 01 215	Adapter, Left Hand, Outside	1	X	X	X	X	—
	S.O.S.	900 01 216	Adapter- Right Hand, Outside	1	X	X	X	X	—
6	R304347	934 00 492	Lock Nut, 3/4"-10 Thd.	2	X	X	X	X	2-34
7	S.O.S.	900 33 785	Air Spring Mounting Plate	2	X	X	X	X	—
8	S.O.S.	905 57 156	Air Spring Assembly	2	X	X	X		—
	S.O.S.	905 57 157					X		
9	R304358	934 00 506	Lock Nut	6	X	X	X	X	2-34
10	S.O.S.	905 31 245	Air Spring Mounting Plate & Upper Shock Bracket Assembly, Left Hand	1		X	X	X	—
	S.O.S.	905 31 246	Air Spring Mounting Plate & Upper Shock Bracket Assembly, Right Hand	1		X	X	X	—
11	83127	900 44 642	Gas-Magnum 60 Shock Absorber	2	X	X	X		3-14
	83124	900 44 089	Fleetline Shock Absorber					X	
	89407		GasSLX Shock Absorber						
12	R304361	932 01 051	Bolt	4	X	X	X	X	1-472, 2-32
13	R304364	932 01 046 (Old) 932 01 055 (New)	Bolt	2	X	X	X	X	2-32
	S.O.S.	932 01 057 (Old) 905 08 099 (New)	Bolt, 1 1/8"-7 Thd. x 9 1/4"		X	X	X	X	—
14	S.O.S.	936 00 072	Lock Washer, 1/2"	2	X	X	X	X	—
15	R309284	Various	Alignment Bushing	4	X	X	X	X	1-472
15C	S.O.S.	900 08 186	Alignment Bushing (Used in all RL-228-14, -15, -16, -17)		X	X	X	X	—
16	S.O.S.	930 03 609	Cap Screw, 3/4"-10 Thd. x 4"	4	X	X	X	X	—
17	R301107	934 00 149	Hex Nut, 3/4"-16 Thd.	2	X	X	X	X	2-34
18	S.O.S.	936 00 077	Lock Washer, 3/4"	4	X	X	X	X	—
19	S.O.S.	934 00 136	Hex Nut, 1/2"-13 Thd.	2	X	X	X	X	—
20	R304403 (Rubber)	905 08 004	Bushing	8	X	X	X	X	2-53, 3-2
	R308684 (Poly)								2-10, 3-2
21	S.O.S.	900 18 515	Upper Shock Bracket	2	X	X	X	X	—
22	S.O.S.	934 00 367	Square Nut, 3/4"-10 Thd.	2	X	X	X	X	—
—	S.O.S.	941 00 590	Torque Decal	1	X	X	X	X	—

S.O.S. = Available through Meritor's S.O.S. Department

NEWAY SUSPENSION

RTS-536-1, -2, -3, -4 Spring Series
 RTS-544-1, -2, -3, -4 Spring Series
 Trailer



LEAF SPRING REFERENCES

SRI No.	
TRA 2661	11 Leaf
TRA 2671	12 Leaf
TRA 2660	13 Leaf

NEWAY SUSPENSION PARTS

RTS-536-1, -2, -3, -4 Spring Series

RTS-544-1, -2, -3, -4 Spring Series

Trailer

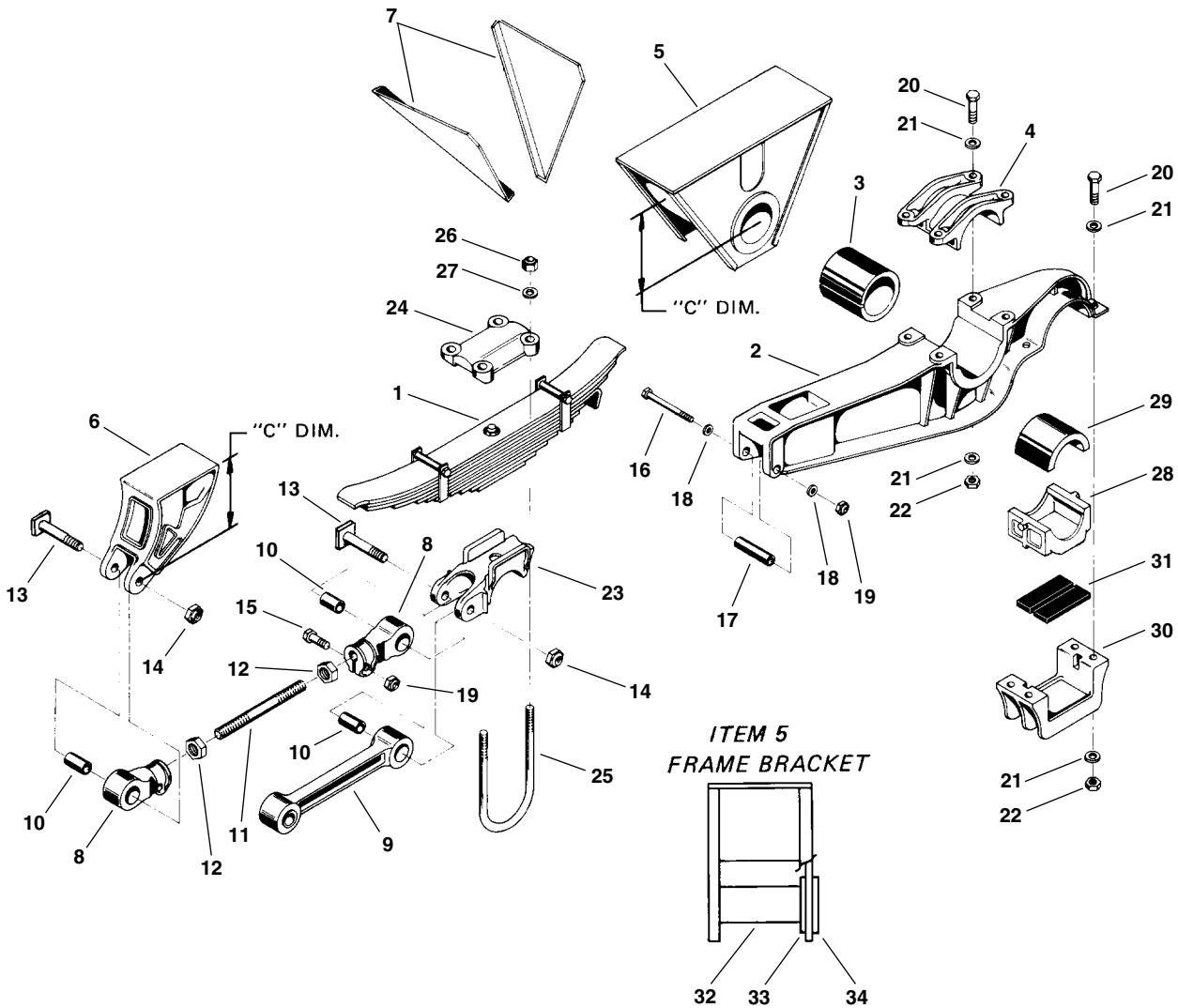
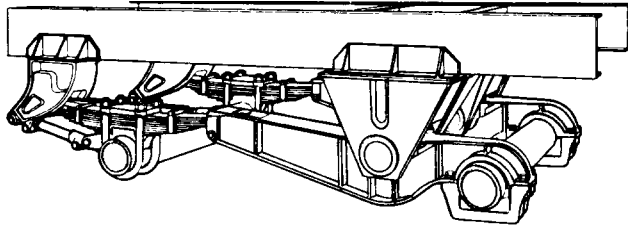
KEY NO.	MERITOR NO.	REPLACES NEWAY NO.	DESCRIPTION	QTY. PER TANDEM	RTS-536-1	RTS-536-2	RTS-536-3	RTS-536-4	PAGE NO.
					RTS-544-1	RTS-544-2	RTS-544-3	RTS-544-4	
1	S.O.S.	915 57 152	Spring Assembly, 536 Models, 11 Leaf	2	X	X	X	X	—
	S.O.S.	915 57 153	Spring Assembly, 544 Models, 13 Leaf		X	X	X	X	
	S.O.S.	915 57 154	Spring Assembly, 544 Models, 14 Leaf		X	X	X	X	
2	R309535	915 15 001	Equalizing Beam Assembly	2	X	X	X	X	1-477
3	R301333 (Rubber)	910 08 014	Bushing	2	X	X	X	X	1-448
	R308672 (Poly)								1-448, 2-11
4	R304303	910 10 098	Trunnion Cap	2	X	X	X	X	1-469
5	S.O.S.	915 18 005	Trunnion Frame Bracket, 8 1/2" C Dimension	2	X				—
	S.O.S.	915 18 006	Trunnion Frame Bracket, 10 1/2" C Dimension			X			
	S.O.S.	915 18 007	Trunnion Frame Bracket, 12 1/2" C Dimension				X		
	S.O.S.	915 18 008	Trunnion Frame Bracket, 14 1/2" C Dimension					X	
6	S.O.S.	910 18 002	Spring Hanger, 8 1/2" C Dimension	2	X				—
	S.O.S.	910 18 003	Spring Hanger, 10 1/2" C Dimension			X			
	S.O.S.	910 18 004	Spring Hanger, 12 1/2" C Dimension				X		
	R309536	910 18 036	Spring Hanger, 14 1/2" C Dimension					X	1-478
7	S.O.S.	910 23 001	Diagonal Brace	4	X				—
	S.O.S.	910 23 002	Diagonal Brace, Left Hand	2		X			—
	S.O.S.	910 23 004					X		
	S.O.S.	910 23 006						X	
	S.O.S.	910 23 003	Diagonal Brace, Right Hand	2			X		—
	S.O.S.	910 23 005					X		
S.O.S.	910 23 007						X		
8	R304316	915 44 002	Torque Arm End, Left Hand	1	X	X	X	X	1-452
	R304317	915 44 003	Torque Arm End, Right Hand	1	X	X	X	X	1-452
9	R304319	915 44 001	Rigid Torque Arm	1	X	X	X	X	1-452
10	R302939 (Rubber)	910 08 007	Torque Arm Bushing	4	X	X	X	X	1-452
	R308676 (Poly)								1-452, 2-11
11	R304318A	932 00 047	Bolt	1	X	X	X	X	1-452
12	R304274	934 00 036	Jam Nut, Left Hand	1	X	X	X	X	2-34
	R304275	934 00 284	Jam Nut, Right Hand	1	X	X	X	X	2-34
13	R304261	939 00 009	Bolt	4	X	X	X	X	1-472
14	R304273	934 00 569	Lock Nut	4	X	X	X	X	2-34
15	S.O.S.	930 02 921	Cap Screw, 1/2"-13 Thd. x 2"	2	X	X	X	X	—
16	S.O.S.	930 03 003	Cap Screw, 1/2"-13 Thd. x 5 1/2"	2	X	X	X	X	—
17	S.O.S.	910 36 092	Pipe Spacer, 1/2"	2	X	X	X	X	—
18	S.O.S.	936 00 138	Washer, 1/2"	4	X	X	X	X	—
19	S.O.S.	934 00 482	Lock Nut, 1/2"-13 Thd.	4	X	X	X	X	—
20	S.O.S.	930 03 575	Bolt, 3/4"-10 Thd. x 2 1/2"	16	X	X	X	X	—
21	R302545	936 00 156	Washer	32	X	X	X	X	2-35
22	R304347	934 00 492	Lock Nut, 3/4"-10 Thd.	16	X	X	X	X	2-34
23	R304294	910 01 034	Axle Seat	2	X	X	X	X	1-468
24	R304299	910 10 103	Top Plate	2	X	X	X	X	1-468

S.O.S. = Available through Meritor's S.O.S. Department

Continued on next page

NEWAY SUSPENSION

RTS-536-1, -2, -3, -4 Spring Series
 RTS-544-1, -2, -3, -4 Spring Series
 Trailer



LEAF SPRING REFERENCES

SRI No.	
TRA 2661	11 Leaf
TRA 2671	12 Leaf
TRA 2660	13 Leaf

NEWAY SUSPENSION PARTS

RTS-536-1, -2, -3, -4 Spring Series

RTS-544-1, -2, -3, -4 Spring Series

Trailer

KEY NO.	MERITOR NO.	REPLACES NEWAY NO.	DESCRIPTION	QTY. PER TANDEM	RTS-536-1	RTS-536-2	RTS-536-3	RTS-536-4	PAGE NO.
					RTS-544-1	RTS-544-2	RTS-544-3	RTS-544-4	
25	R30U8166-12	900 41 174	U- Bolt Assembly, Rd. Bend, 7/8"-9 Thd. x 5" Wide x 12" Long	4	X	X	X	X	2-26
26	R302983	934 00 496	Lock Nut	8	X	X	X	X	2-34
27	R302546	936 00 162	Washer	8	X	X	X	X	2-35
28	R304291	910 01 040	Axle Adapter	2	X	X	X	X	1-467
29	R302011	910 28 010	Wrapper, Round Axle	2	X	X	X	X	1-451
30	R304288	910 10 031	Axle Cap	2	X	X	X	X	1-466
31	R301331 (Rubber)	910 28 023	Spring End Pad	4	X	X	X	X	1-452
	R308671 (Poly)								1-452, 2-11
32	R309610	910 38 210	Trunnion Tube	2	X	X	X	X	1-478
33	R309611	936 00 002	Inner Washer, 3/16" Thick	4	X	X	X	X	1-478
34	R309612	936 00 003	Outer Washer, 5/16" Thick	4	X	X	X	X	1-478
—	S.O.S.	910 23 307	Spring Hanger Wear Pad	2	X	X	X	X	—
—	S.O.S.	910 28 028	Equalizing Beam Wear Pad	2	X	X	X	X	—
—	R304385	SRK-36 481 00 033	5" Round Axle & Trunnion Connection Kit Includes Key Nos. 3, 20, 21, 22, 29 & 31	1	X	X	X	X	1-465
—	R304391	SRK-39 481 00 050	Radius Rod Bushing Kit Includes Key Nos. 10, 13 & 14	1	X	X	X	X	1-464

S.O.S. = Available through Meritor's S.O.S. Department

S.O.S. Special Order Service

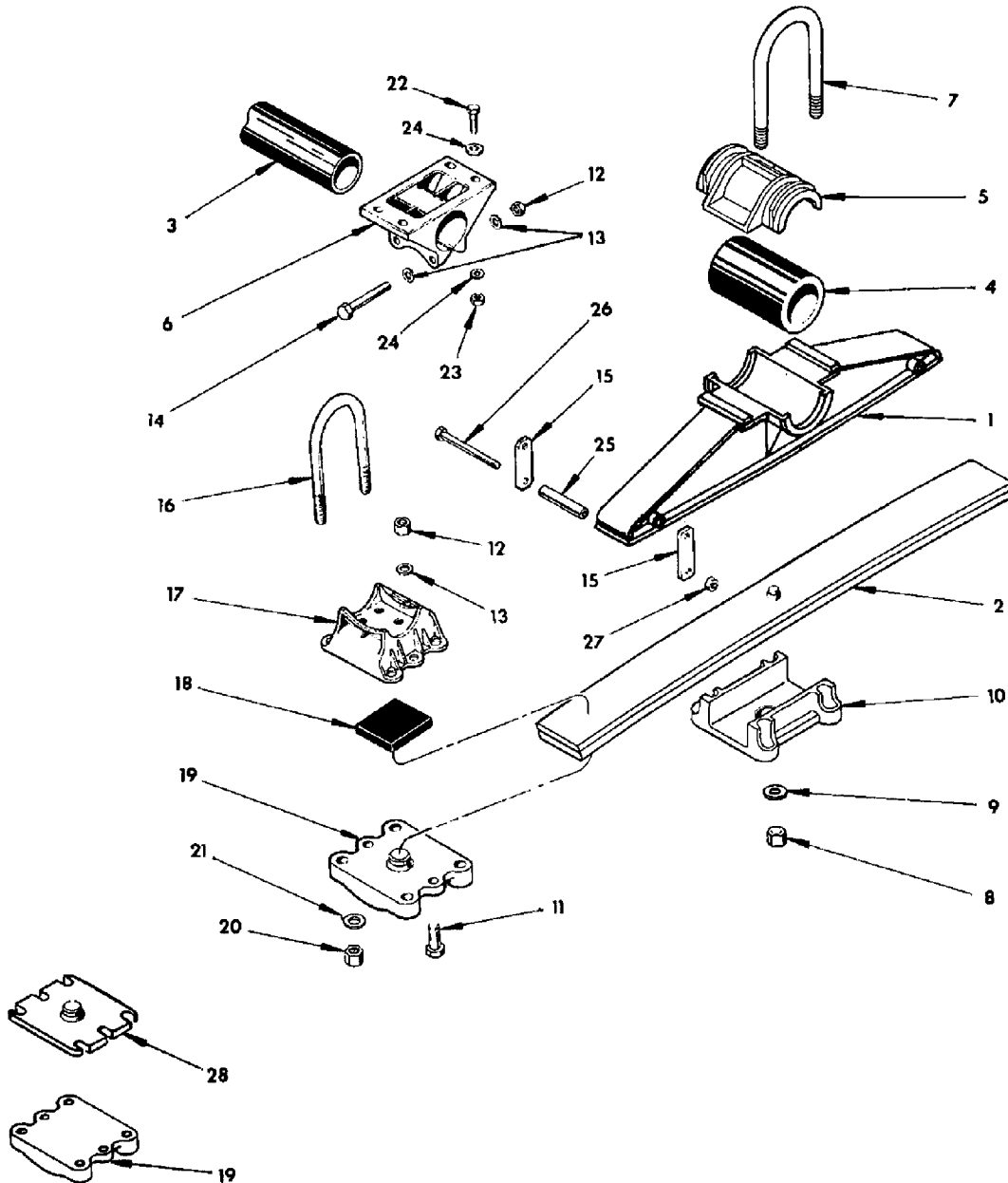
Can't find it? Trouble sourcing products? Need assistance?

Let Meritor's Special Order Service (S.O.S.) help you find your Neway parts.

Meritor's position as the market leader provides you access to a comprehensive array of truck parts products from the industry's leading manufacturers. Through Meritor, these entire product lines are available to you just by placing a phone call to Meritor's S.O.S. Department.

NEWAY SUSPENSION

SB-360-B, -500, 600B
Trailer



1

NEWAY SUSPENSION PARTS

SB-360-B, -500, 600B

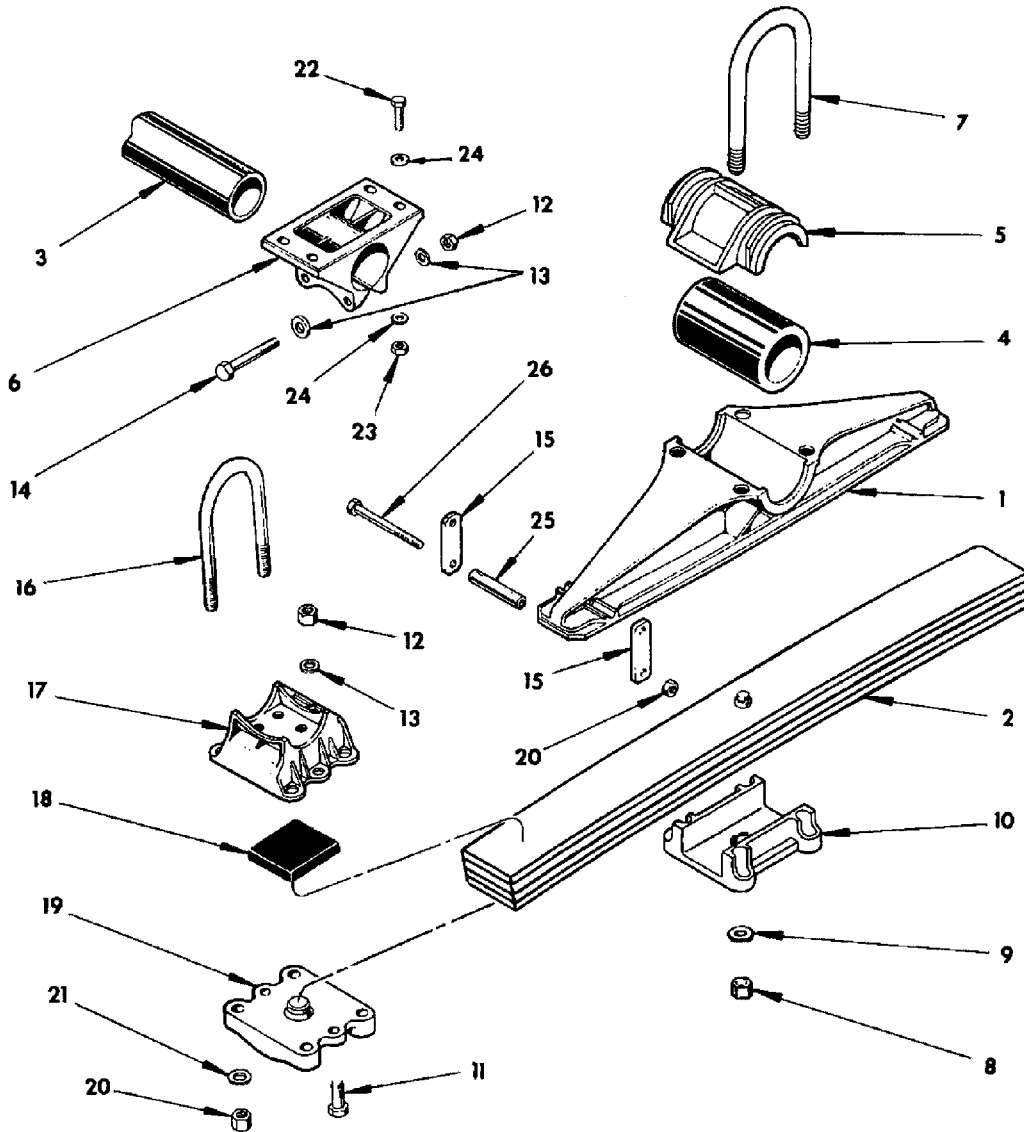
Trailer

KEY NO.	MERITOR NO.	REPLACES NEWAY NO.	DESCRIPTION	SB-360B	SB-500-B	SB-600-B	QTY REQUIRED	PAGE NO.
1	S.O.S.	915 15 108	Equalizing Beam	X	X	X	2	—
2	S.O.S.	915 57 100	Spring Assembly 2 Leaf	X	X		2	—
	S.O.S.	915 57 136	Spring Assembly 2 Leaf			X	2	—
3	R302964	910 38 003	Trunnion Tube 4" OD x 1/2" Wall x 48" (Other Sizes Available)	X			1	1-471
	S.O.S.	910 38 004	Trunnion Tube 4" OD x 1/2" Wall x 48" HT (Other Sizes Available)		X	X	1	—
4	R301332	910 08 022	Trunnion Rubber Bushing	X	X	X	2	1-448
5	S.O.S.	910 10 089	Trunnion Rubber Cap Casting	X	X	X	2	—
6	R305213	910 01 054	Trunnion Clamp Casting	X	X	X	2	1-471
7	R30U8186-154	900 41 478	U-Bolt Assembly, Rd. Bend, 1 1/8"-12 Thd. x 5 3/4" Wide x 15 1/2" Long	X	X	X	4	2-26
8	R304358	934 00 506	Lock Nut 1 1/8"-7 Thd. GrC	X	X	X	8	2-34
9	R302548	936 00 174	Washer 1 1/4"	X	X	X	8	2-35
10	S.O.S.	910 01 103	Spring Saddle Casting	X	X	X	2	—
11	S.O.S.	930 03 575	Cap Screw 3/4"-10 Thd. x 2 1/2" Gr8	X	X	X	8	—
12	R304347	934 00 492	Lock Nut 3/4"-10 Gr8	X	X	X	12	2-34
13	R302545	936 00 156	Washer 3/4"	X	X	X	16	2-35
14	S.O.S.	930 03 621	Cap Screw 3/4"-10 Thd. x 4 1/2" Gr5	X	X	X	4	—
15	S.O.S.	910 23 056	Spring Clip	X	X	X	8	—
16	R308178-126	900 41 324	U-Bolt Assembly, Rd. Bend, 1"-14 Thd. x 5" Wide x 12 3/4" Long	X	X	X	8	2-26
	S.O.S.	900 41 350	U-Bolt Assembly, Rd. Bend, 1"-14 Thd. x 11" Long (5 3/4" and 6" Round)		X	X	8	—
	S.O.S.	900 41 971	U-Bolt Assembly, Rd. Bend, 1"-14 Thd. x 11" Long (5" Square)	X	X	X	8	—
17	S.O.S.	910 10 041	Spring End Cap Casting (5" Round)	X	X	X	4	—
	S.O.S.	910 10 130	Spring End Cap Casting (5 3/4" and 6" Round)		X	X	4	—
	S.O.S.	910 01 188	Spring End Cap Casting (5" Square)	X	X	X	4	—
18	S.O.S.	910 28 153	Spring End Rubber Pad	X	X	X	4	—
19	S.O.S.	910 01 038	Spring End Pad Casting (5" Round)	X	X	X	4	—
	S.O.S.	910 01 050	Spring End Pad Casting (5 3/4" and 6" Round)		X	X	4	—
	S.O.S.	910 01 182	Spring End Pad Casting (5" Square)	X	X	X	4	—
20	R304421	934 00 502	Lock Nut 1"-8 Thd. GrC	X	X	X	16	2-34
21	R304353	939 00 027	Washer 1 5/8"	X	X	X	16	2-35
22	R304348	930 03 345	Bolt 5/8"-11 Thd. x 2" Grade 5	X	X	X	8	2-32
23	R302988	934 00 488	Lock Nut 5/8"-11 Thd. Grade 8	X	X	X	8	1-478, 2-34
24	R302547	936 00 150	Washer	X	X	X	16	2-35
25	S.O.S.	910 36 008	Spring Clip Spacer	X	X	X	4	—
26	S.O.S.	930 03 465	Cap Screw 5/8"-11 Thd. x 7" Gr5	X	X	X	8	—
27	R302988	934 00 488	Lock Nut 5/8"-11 Thd. Grade 8	X	X	X	8	1-478, 2-34
28	S.O.S.	910 01 181	Adjustable Spring End Pad (5" Square)	X	X	X	4	—

S.O.S. = Available through Meritor's S.O.S. Department

NEWAY SUSPENSION

SB-360-HD-A Trailer



1

NEWAY SUSPENSION PARTS

SB-360-HD-A

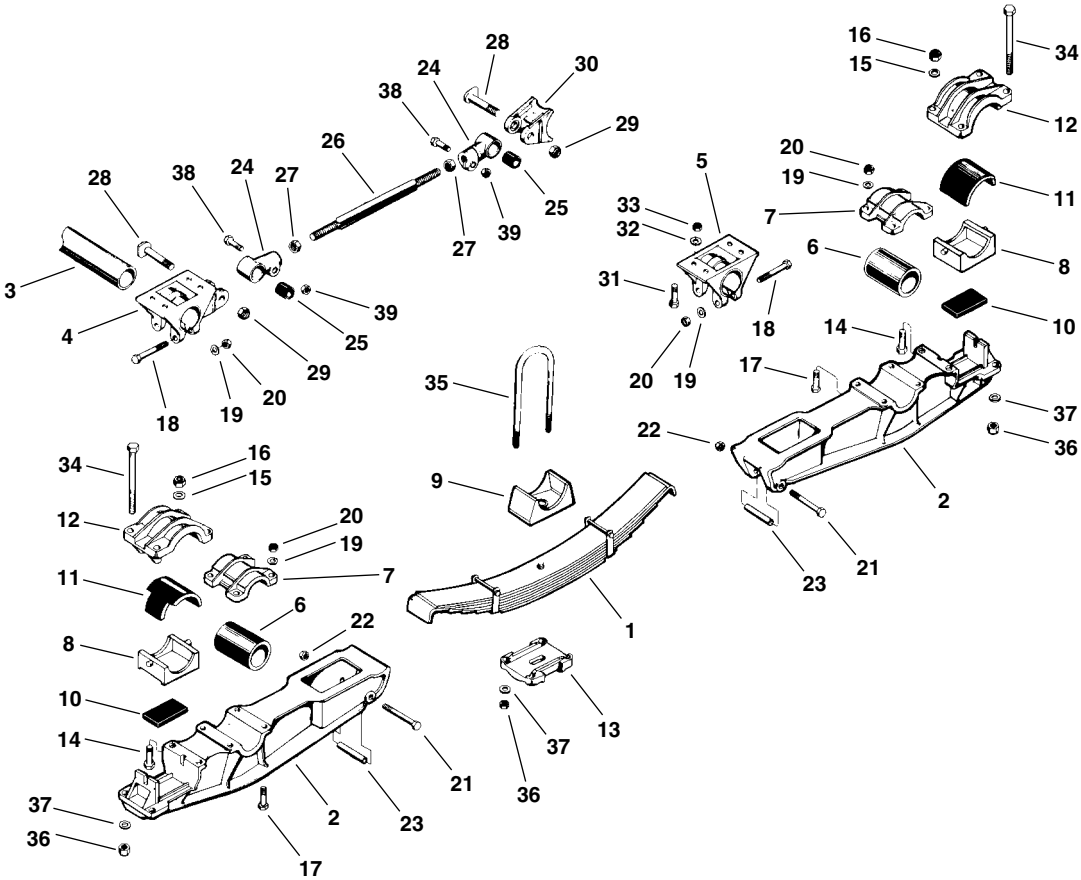
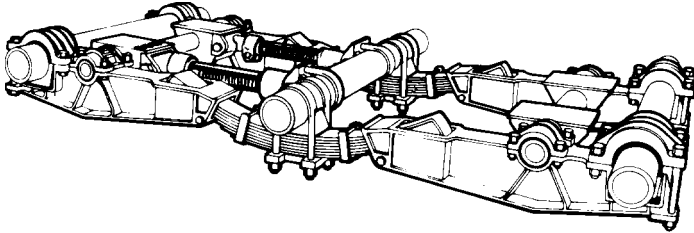
Trailer

KEY NO.	MERITOR NO.	REPLACES NEWAY NO.	DESCRIPTION	QTY REQUIRED	PAGE NO.
1	S.O.S.	910 15 025	Equalizing Beam	2	—
2	S.O.S.	915 57 122	Spring Assembly 4 Leaf	2	—
3	S.O.S.	910 38 004	Trunnion Tub 4 OD x 1/2 Wall x 48 HT	1	—
4	R301332	910 08 022	Trunnion Rubber Bushing	2	1-448
5	S.O.S.	910 10 089	Trunnion Rubber Cap Casting	2	—
6	R305213	910 01 054	Trunnion Clamp Casting	2	1-471
7	R30U8186-154	900 41 482	U-Bolt Assembly, Rd. Bend, 1 1/8"-12 Thd. x 5 3/4" wide x 15 1/2" Long	4	2-26
8	R304358	934 00 506	Lock Nut 1 1/8" - 7 Grade C	8	2-34
9	S.O.S.	936 00 030	Washer 1 1/8"	8	—
10	S.O.S.	910 01 103	Spring Saddle Casting	2	—
11	S.O.S.	930 03 575	Cap Screw 3/4" - 10 x 2 1/2" Grade 8	8	—
12	R304347	934 00 492	Lock Nut 3/4" - 10 Grade 8	12	2-34
13	S.O.S.	936 00 005	Washer 3/4"	16	—
14	R302989	930 03 633	Bolt 3/4" - 10 x 5" Grade 5	4	2-32
15	S.O.S.	910 31 058	Spring Clip	8	—
16	R308178-126	900 41 324	U-Bolt Assembly, Rd. Bend, 1"-14 Thd. x 5" Wide x 12 3/4" Long	8	2-26
	S.O.S.	900 41 354	U-Bolt Assembly, Rd. Bend, 1"-14 Thd. x 12" Long (5 3/4" and 6" Round)	8	—
17	S.O.S.	910 10 032	Spring End Cap Casting (5" Round)	4	—
	S.O.S.	910 10 145	Spring End Cap Casting (5 3/4" and 6" Round)	4	—
18	S.O.S.	910 28 153	Spring End Rubber Pad	4	—
19	S.O.S.	915 01 008	Spring End Pad Casting (5" Round)	4	—
	S.O.S.	915 01 044	Spring End Pad Casting (5 3/4" and 6" Round)	4	—
20	R304421	934 00 502	Lock Nut 1"-8 Grade C	24	2-34
21	R304353	939 00 027	Washer 1 5/8"	16	2-35
22	R304348	930 03 345	Bolt 5/8"-11 x 2" Grade 5	8	2-32
23	R302988	934 00 488	Lock Nut 5/8"-11	8	1-478, 2-34
24	R302547	936 00 150	Washer	16	2-35
25	S.O.S.	910 36 007	Spring Clip Spacer	4	—
26	S.O.S.	930 04 323	Cap Screw 1"-8 x 7" Grade 5	8	—

S.O.S. = Available through Meritor's S.O.S. Department

NEWAY SUSPENSION

T-8540 Series Tri-Axle Spring Trailer



LEAF SPRING REFERENCES

SRI No.	
TRA 2688	6 Leaf

1

NEWAY SUSPENSION PARTS

T-8540 Series — Tri-Axle Spring

Trailer

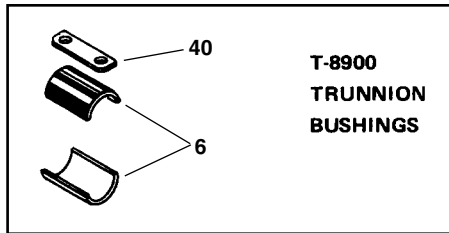
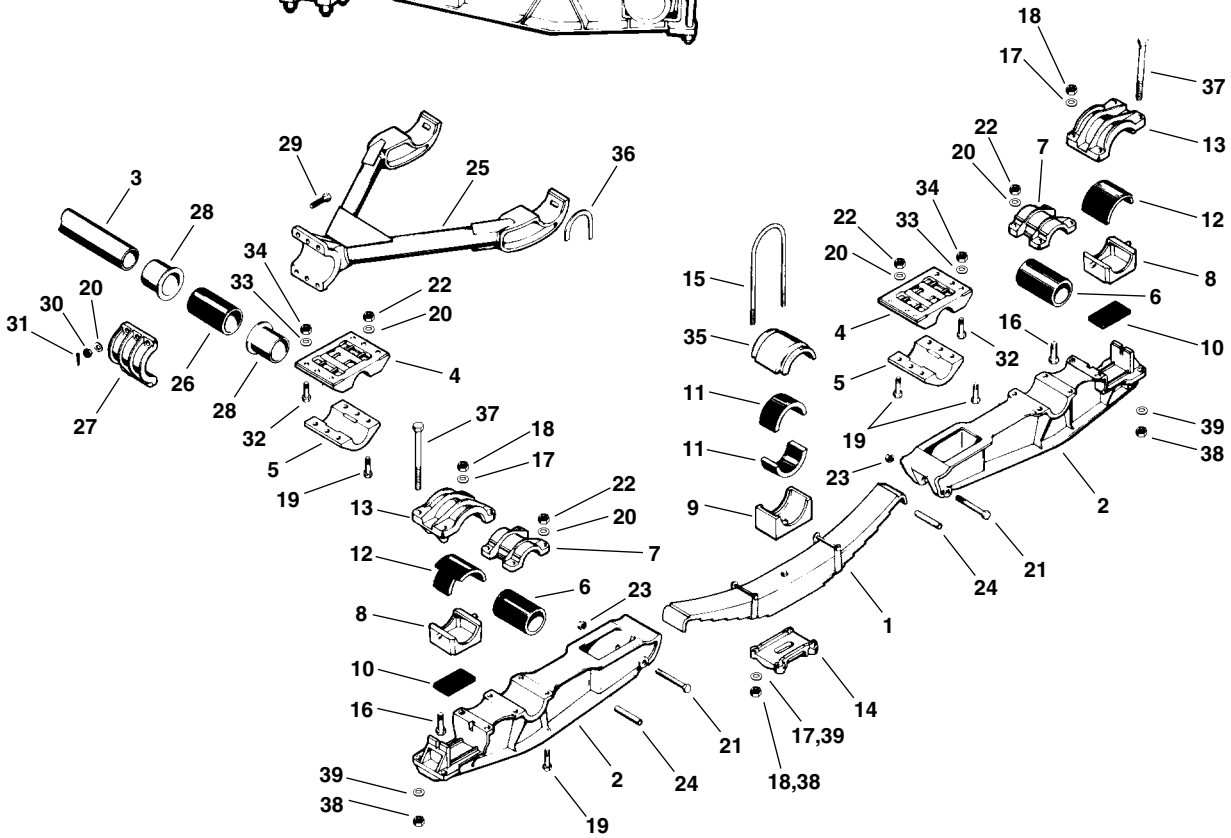
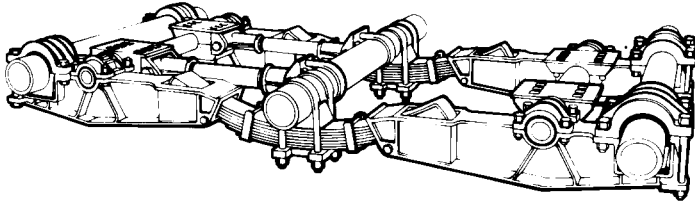
N/A = No Longer Available

KEY NO.	MERITOR NO.	REPLACES NEWAY NO.	DESCRIPTION	QTY. PER TRI-AXLE	PAGE NO.
1	S.O.S.	915 57 175	Spring Assembly	2	—
2	R309534	910 15 015	Equalizing Beam, 15" & 20" Wheels, Use with 910 28 089	4	1-477
3	S.O.S.	910 38 290	Trunnion Tube	2	—
4	S.O.S.	910 01 088	Trunnion Clamp & Radius Rod Casting, Front	2	—
5	S.O.S.	910 01 066	Rear Trunnion Clamp Casting	2	—
6	R302935 (Rubber)	900 08 011	Trunnion Bushing	4	1-448
	R307443 (Poly)				1-448, 2-11
7	S.O.S.	900 10 009	Trunnion Cap Casting	4	—
8	S.O.S.	910 01 089	Axle Adapter, End, 5" Round Axle, 15" Wheel	4	—
	S.O.S.	910 01 094	Axle Adapter, End, 5" Round Axle, 20" Wheel		—
9	S.O.S.	910 01 075	Axle Seat	2	—
10	S.O.S.	910 28 075	Lower Pad	4	—
11	R302945 (Rubber)	910 28 051	Wrapper, Round Axle	4	1-451
	R308679 (Poly)				1-451, 2-9
12	S.O.S.	910 10 060	Axle Cap, End, 5" Round Axle, 15" Wheel	4	—
	S.O.S.	910 10 061	Axle Cap, End, 5" Round Axle, 20" Wheel		
13	R304300	910 10 108	Top Plate	2	1-468
14	S.O.S.	930 04 239	Cap Screw, 1"-8 Thd. x 3 1/2"	8	—
15	R304353	939 00 027	Washer, 1 5/8"	8	2-35
16	R304421	934 00 502	Lock Nut	8	2-34
17	S.O.S.	930 03 575	Bolt	16	—
18	S.O.S.	930 03 635	Cap Screw, 3/4"-10 Thd. x 5"	8	—
19	S.O.S.	936 00 005	Washer, 3/4"	48	—
20	R304347	934 00 494	Lock Nut	24	2-34
21	S.O.S.	930 03 657	Cap Screw, 3/4"-10 Thd. x 6"	4	—
22	R301107	934 00 149	Hex Nut, 3/4"-16 Thd.	4	2-34
23	S.O.S.	910 36 078	Pipe Spacer	4	—
24	R304317	915 44 003	Torque Arm, Right Hand	2	1-452
	R304316	915 44 002	Torque Arm, Left Hand		1-452
25	R302939 (Rubber)	910 08 007	Torque Arm Bushing	4	1-452
	R308676 (Poly)				1-452, 2-11
26	S.O.S.	915 06 003	Radius Rod Bolt, 1 1/4"-7 Thd. x 21 3/4"	2	—
27	R304274	934 00 036	Jam Nut, Left Hand	2	2-34
	R304275	934 00 284	Jam Nut, Right Hand		2-34
28	R304261	939 00 009	Bolt	4	1-472
29	R304273	934 00 569	Lock Nut	4	2-34
30	S.O.S.	910 18 005	Radius Rod Axle Bracket	2	—
31	R304348	930 03 345	Bolt	16	2-32
32	R302547	939 00 025	Washer	16	2-35
33	R302988	934 00 490	Lock Nut	16	1-478, 2-34
34	S.O.S.	930 03 941	Rod Bolt, 7/8"-14 Thd. x 9 5/8"	8	—
35	S.O.S.	900 42 106	U-Bolt Assembly, Rd. Bend, 7/8"-9 Thd. x 11 1/2"	4	—
36	R302983	934 00 498	Lock Nut	16	2-34
37	R302546	936 00 162	Washer	16	2-35
38	S.O.S.	930 02 921	Cap Screw, 1/2"-13 Thd. x 2"	4	—
39	S.O.S.	934 00 482	Lock Nut	4	—
—	R304391	SRK-39 481 00 505	Torque Arm Kit Includes Key Nos. 25, 28 & 29	1	1-464
—	S.O.S.	SRK-38 481 00 035	5" Round Trunnion & End Axle Kit Includes Key Nos. 6, 10, 11, 14, 15, 16, 17, 19, 20, 34, 36, 37	1	—

S.O.S. = Available through Meritor's S.O.S. Department

NEWAY SUSPENSION

T-8750, T-8900 Series Tri-Axle Spring Trailer



LEAF SPRING REFERENCES

SRI No.	
TRA 2678	9 Leaf

1

NEWAY SUSPENSION PARTS

T-8750, T-8900 Series

Tri-Axle Spring

Trailer

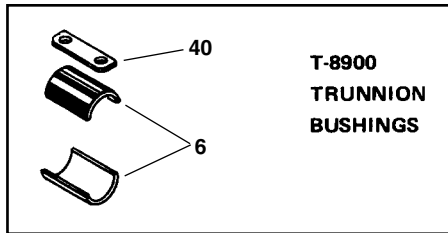
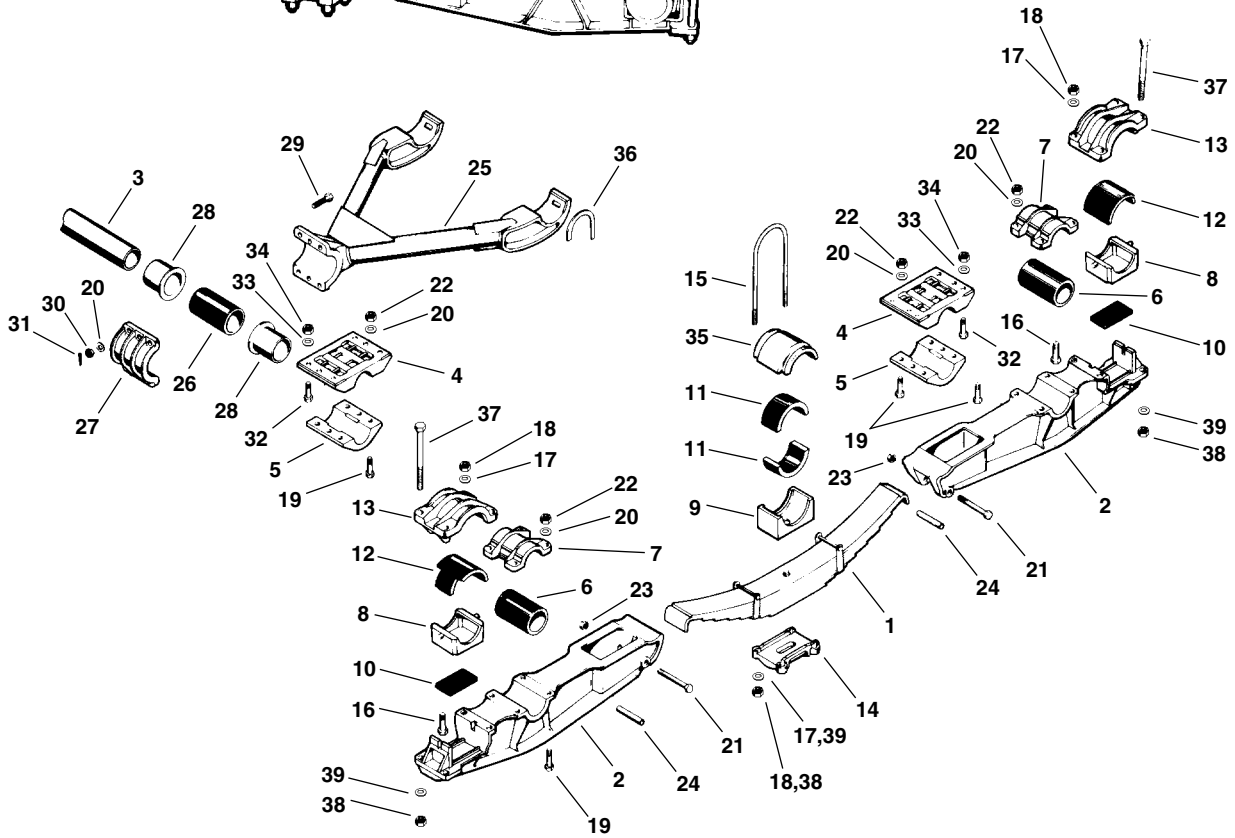
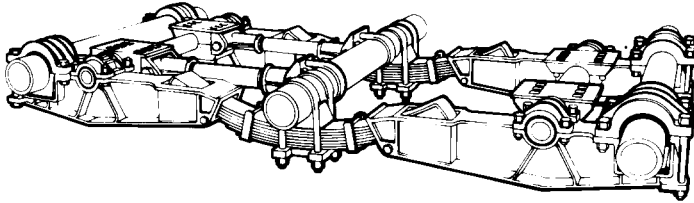
KEY NO.	MERITOR NO.	REPLACES NEWAY NO.	DESCRIPTION	QTY. PER TRI-AXLE	T-		PAGE NO.
					8750	8900	
1	S.O.S.	915 57 172	Spring Assembly	2	X	X	—
2	R309534	910 15 015 (Old) 915 15 011 (New)	Equalizing Beam	4	X	X	1-477
3	S.O.S.	910 38 290	Trunnion Tube	2	X	X	—
4	S.O.S.	910 01 002	Trunnion Clamp Casting	4	X	X	—
5	S.O.S.	910 10 020	Trunnion Clamp Cap Casting	4	X	X	—
6	R302935 (Rubber)	900 08 011	Trunnion Bushing	4	X	X	1-448
	R307443 (Poly)	910 08 112			1-448, 2-11		
7	S.O.S.	900 10 009	Trunnion Cap Casting	4	X	X	—
8	S.O.S.	910 01 089	Axle Adapter Casting, 15" Wheel, 5" Round Axle	4	X	X	—
	S.O.S.	910 01 094	Axle Adapter Casting, 20" Wheel, 5" Round Axle		X	X	
	S.O.S.	910 01 120	Axle Adapter Casting, 20" Wheel, 5 3/4" Round Axle		X	X	
9	S.O.S.	910 01 130	Axle Spring Seat Casting, 15" Wheel, 5" Round Axle	2	X	X	—
	S.O.S.	910 01 080	Axle Spring Seat Casting, 20" Wheel, 5" Round Axle		X	X	
	S.O.S.	910 01 120	Axle Spring Seat Casting, 20" Wheel, 5 3/4" Round Axle		X	X	
10	S.O.S.	910 28 075	Lower Pad	4	X	X	—
11	S.O.S.	910 28 076	Wrapper, 15" Wheel, 5" Round Center Axle	4	X	X	—
	S.O.S.	910 28 039	Wrapper, 20" Wheel, 5" Round Center Axle		X	X	
	S.O.S.	910 28 040	Wrapper, 20" Wheel, 5 3/4" Round Center Axle		X	X	
12	R302945 (Rubber)	910 28 051	Wrapper, 5" Round Axle	4	X	X	1-451
	R308679 (Poly)				1-451, 2-9		
	R302946 (Rubber)	910 28 053	Wrapper, 5 3/4" Round Axle		X	X	1-451
13	S.O.S.	910 10 060	Axle Cap, 15" Wheel, 5" Round Axle	4	X	X	—
	S.O.S.	910 10 061	Axle Cap, 20" Wheel, 5" Round Axle		X	X	
	S.O.S.	910 10 059	Axle Cap, 20" Wheel, 5 3/4" Round Axle		X	X	
14	S.O.S.	910 10 096	Spring Clamp, 15" Wheel	2	X	X	—
	S.O.S.	910 31 054	Spring Clamp, 20" Wheel		X	X	
15	S.O.S.	900 41 430	U-Bolt Assembly, Rd. Bend, 1"-8 Thd. x 7 1/4" Wide x 14" Long, 20" Wheel	4	X	X	—
	S.O.S.	900 42 152	U-Bolt Assembly, Rd. Bend, 7/8"-9 Thd. x 5 13/16" Wide x 12 5/8" Long, 15" Wheel		X	X	
16	S.O.S.	930 04 239	Cap Screw, 1"-8 Thd. x 3 1/2"	8	X	X	—
	S.O.S.	930 04 251	Cap Screw, 1"-8 Thd. x 4" (5 3/4" Round Axle Only)		X	X	
17	R304353	939 00 027	Washer, 1 5/8"	8	X	X	2-35
18	R304421	934 00 502	Lock Nut	8	X	X	2-34
19	S.O.S.	930 03 585	Cap Screw, 3/4"-10 Thd. x 3"	40	X	X	—
20	S.O.S.	936 00 005	Washer, 3/4"	92	X	X	—
21	S.O.S.	930 03 657	Cap Screw, 3/4"-10 Thd. x 6"	4	X	X	—
22	R304347	934 00 494	Lock Nut	40	X	X	2-34
23	R301107	934 00 149	Hex Nut, 3/4"-16 Thd.	4	X	X	2-34
24	S.O.S.	910 36 078	Pipe Spacer	4	X	X	—
25	S.O.S.	Various	Drag Yoke Assembly, 5" Round Axle	1	X	X	—
	S.O.S.	Various	Drag Yoke Assembly, 5 3/4" Round Axle		X	X	
26	S.O.S.	910 08 024	Drag Yoke Rubber Bushing	1	X	X	—

S.O.S. = Available through Meritor's S.O.S. Department

Continued on next page

NEWAY SUSPENSION

T-8750, T-8900 Series Tri-Axle Spring Trailer



LEAF SPRING REFERENCES

SRI No.

TRA 2678

9 Leaf

NEWAY SUSPENSION PARTS

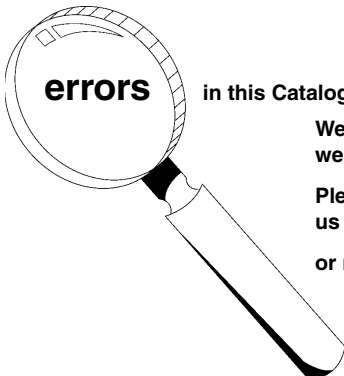
T-8750, T-8900 Series

Tri-Axle Spring

Trailer

KEY NO.	MERITOR NO.	REPLACES NEWAY NO.	DESCRIPTION	QTY. PER TRI-AXLE	T-		PAGE NO.
					8750	8900	
27	S.O.S.	910 10 062	Drag Yoke Cap	1	X	X	—
28	S.O.S.	910 36 010	Drag Yoke Spacer	2	X	X	—
29	S.O.S.	930 03 575	Bolt	6	X	X	—
30	S.O.S.	Various	Nut	6	X	X	—
31	S.O.S.	Various	Cotter Pin, 1/8" x 1 1/2"	6	X	X	—
32	S.O.S.	Various	Cap Screw, 5/8"-18 Thd. x 2, 15" Wheel	24	X	X	—
	S.O.S.	Various	5/8"-18 Thd. x 2, 20" Wheel	28	X	X	
33	R302547	939 00 025	Washer	48	X	X	2-35
34	R302988	934 00 488	Lock Nut, 5/8"-11 Thd.	24	X	X	1-478, 2-34
35	S.O.S.	910 10 069	Axle Cap, 15" Wheel, 5" Round Center Axle	2	X	X	—
	S.O.S.	910 10 058	Axle Cap, 20" Wheel, 5" Round Center Axle		X	X	
	S.O.S.	910 10 063	Axle Cap, 20" Wheel, 5 3/4" Round Center Axle		X	X	
36	S.O.S.	900 23 044	Axle Collar, 5" Round Axle	2	X	X	—
	S.O.S.	900 23 046	Axle Collar, 5 3/4" Round Axle		X	X	
37	S.O.S.	930 03 941	Cap Screw, 7/8"-9 Thd. x 9"	8	X	X	—
38	R302983	934 00 498	Lock Nut, 15" Wheel	16	X	X	2-34
	R302983	934 00 498	Lock Nut, 20" Wheel	8	X	X	
39	R302546	936 00 162	Washer, 15" Wheel	16	X	X	2-35
	R302546	936 00 162	Washer, 20" Wheel	8	X		
40	S.O.S.	910 36 001	Trunnion Cap Spacer	8		X	—
—	S.O.S.	SRK-38 481 01 035	5" Round Trunnion & End Axle Kit Includes Key Nos. 6, 10, 12, 16, 17, 18, 19, 20, 22, 37, 38, 39	1	X	X	—

S.O.S. = Available through Meritor's S.O.S. Department



If you detect any **errors** in this Catalog, please let us know.

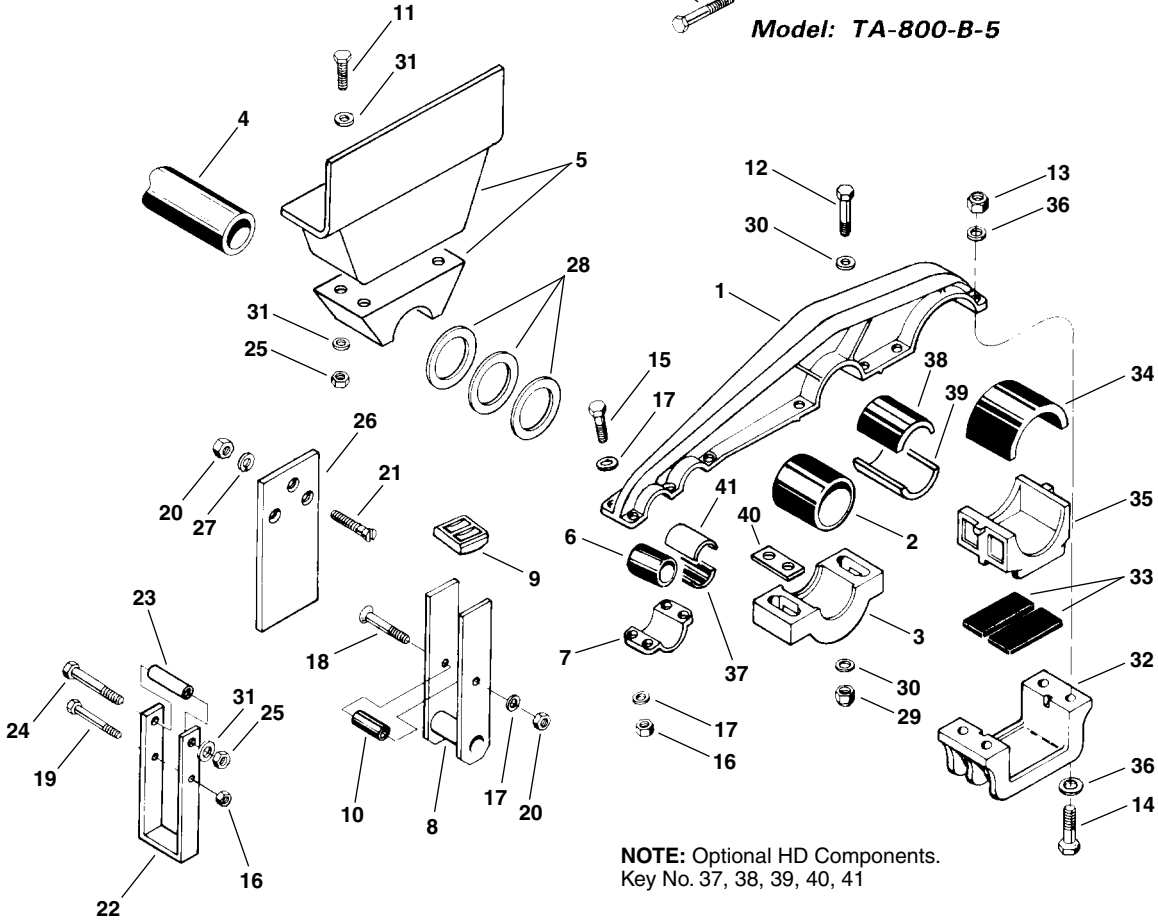
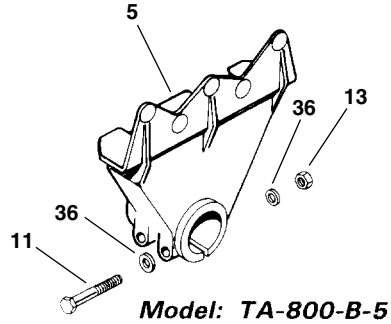
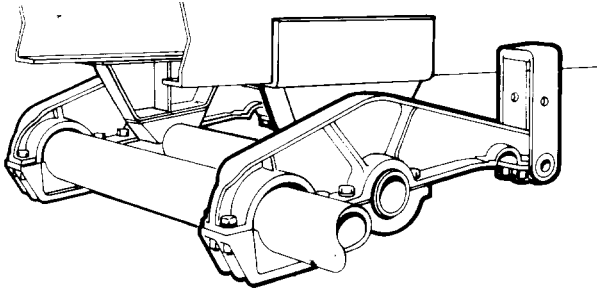
We want the information to be as accurate as possible; we appreciate your help in making it so.

Please e-mail any comments/suggestions/corrections to us at: catalogfeedback@arvinmeritor.com

or mail to: **ArvinMeritor, Inc.**
Attn: Catalog Dept.
7975 Dixie Highway
Florence, KY 41042-2754

NEWAY SUSPENSION

TA-800-B-5, TA-800-C-5 Series Truck/Tractor



1

NEWAY MECHANICAL SUSPENSION PARTS

TA-800-B-5, TA-800-C-5 Series

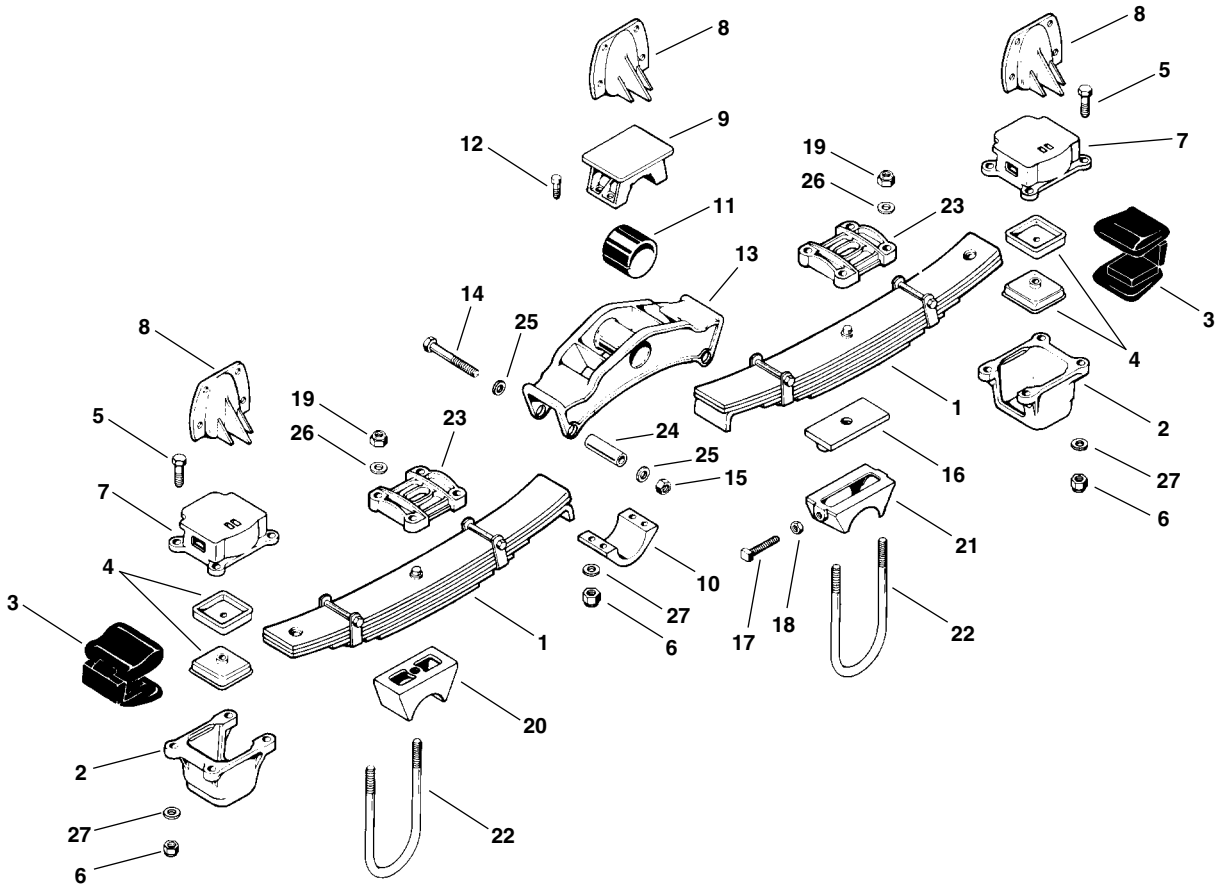
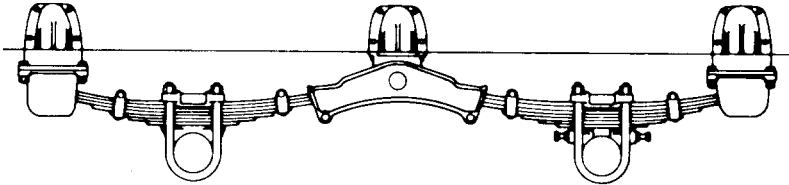
Truck/Tractor

KEY NO.	MERITOR NO.	REPLACES NEWAY NO.	DESCRIPTION	QTY. PER TRI-AXLE	TA-800-		PAGE NO.
					B-5	C-5	
1	S.O.S.	910 15 010	Equalizing Beam	2	X	X	—
2	R301334 (Rubber)	910 08 040	Bushing	2			1-448
	R307442 (Poly)				X	X	1-448, 2-11
3	S.O.S.	910 10 081	Trunnion Cap	2	X	X	—
4	S.O.S.	910 38 397	Trunnion Tube, 45 1/2" Long	1	X	X	—
5	S.O.S.	910 18 125	Frame Bracket, 8 1/2" High	2	X		—
	S.O.S.	910 18 030	Frame Bracket, 12" High		X		
	S.O.S.	915 18 125	Upper Frame Bracket, 8 1/2" High		X		
	S.O.S.	915 18 126	Lower Frame Bracket		X		
6	R301336	910 08 047	Bushing	2	X	X	1-449
7	S.O.S.	910 10 073	Shackle Bushing Cap	2	X	X	—
8	S.O.S.	915 31 002	Shackle Assembly, 2 1/2" & 3" Wide Springs	2	X	X	—
9	S.O.S.	910 28 081	Spring End Pad	2	X	X	—
10	S.O.S.	910 44 017	Tube	2	X	X	—
11	R302989	930 03 633	Bolt	4	X		2-32
	S.O.S.	930 03 049	Bolt, 5/8"-11 Thd. x 2"	8		X	—
12	S.O.S.	930 03 809	Cap Screw, 7/8"-9 Thd. x 3 1/2"	8	X	X	—
13	R304347	934 00 494	Lock Nut	8	X		2-34
	R304347			12		X	
14	S.O.S.	930 03 575	Bolt	8	X	X	—
15	S.O.S.	930 02 921	Cap Screw, 1/2"-13 Thd. x 2"	8	X	X	—
16	S.O.S.	934 00 482	Lock Nut, 1/2"-13 Thd.	10	X	X	—
17	S.O.S.	936 00 138	Washer, 1/2"	18	X	X	—
18	S.O.S.	930 00 617	Screw, 1/2"-13 Thd. x 4 3/4"	2	X		—
	S.O.S.	930 00 621	Screw, 1/2"-13 Thd. x 5"			X	
19	S.O.S.	930 02 993	Cap Screw, 1/2"-13 Thd. x 5"	2	X	X	—
20	S.O.S.	934 00 138	Hex Nut, 1/2"-13 Thd.	8	X	X	—
21	S.O.S.	930 00 567	Screw, 1/2"-13 Thd. x 1 1/2"	6	X	X	—
22	S.O.S.	910 31 087	Spring Clip	2	X	X	—
23	S.O.S.	910 36 108	Spring Clip Spacer	2	X	X	—
24	S.O.S.	930 03 419	Cap Screw, 5/8"-11 Thd. x 5"	2	X	X	—
25	R302988	934 00 490	Lock Nut	10	X	X	1-478, 2-34
26	S.O.S.	910 31 080	Guide Plate	2	X	X	—
27	S.O.S.	936 00 072	Lock Washer, 1/2"	6	X	X	—
28	R302959	936 00 035	Washer	6	X	X	2-35
29	R302983	934 00 498	Lock Nut	8	X	X	2-34
30	S.O.S.	936 00 022	Washer, 7/8"	16	X	X	—
31	R302547	939 00 025	Washer	18		X	2-35
	R302547			10	X		
32	R304288	910 10 031	Axle Cap	2	X	X	1-466
33	R301331 (Rubber)	910 28 023	Spring End Pad	4	X	X	1-452
	R308671 (Poly)						1-452, 2-11
34	R301326	910 28 060	Wrapper	2	X	X	1-451
35	R304291	910 01 040	Axle Adapter	2	X	X	1-467
	S.O.S.	910 01 097	Axle Adapter, Upper Universal Connection		X	X	—
	S.O.S.	910 01 041	Axle Adapter, Lower Universal Connection		X	X	—
36	S.O.S.	936 00 005	Washer, 3/4"	16	X		—
	S.O.S.			24		X	
37	S.O.S.	910 08 048	Shackle Bushing, Heavy-Duty Version	2	X	X	—
38	S.O.S.	910 08 072	Trunnion Bushing, Heavy-Duty Version	2	X	X	—
39	S.O.S.	910 08 050	Fiber Trunnion Bushing, Heavy-Duty Version	2	X	X	—
40	S.O.S.	910 31 083	Spacer Plate, Heavy-Duty Version	4	X	X	—
41	S.O.S.	910 08 049	Fiber Shackle Bushing, Heavy-Duty Version	2	X	X	—
—	S.O.S.	SRK-21	Shackle Connection Kit Includes Key Nos. 6, 15, 16, 17	1	X	X	—

S.O.S. = Available through Meritor's S.O.S. Department

NEWAY SUSPENSION

TL-636-1, -2, -3, -4, -5 Series Tandem Four Spring Trailer



LEAF SPRING REFERENCES

SRI No.	
TRA 2686	7 Leaf
TRA 2689	9 Leaf
TRA 3213	12 Leaf

NEWAY SUSPENSION PARTS

TL-636-1, -2, -3, -4, -5 Series

Tandem Four Spring

Trailer

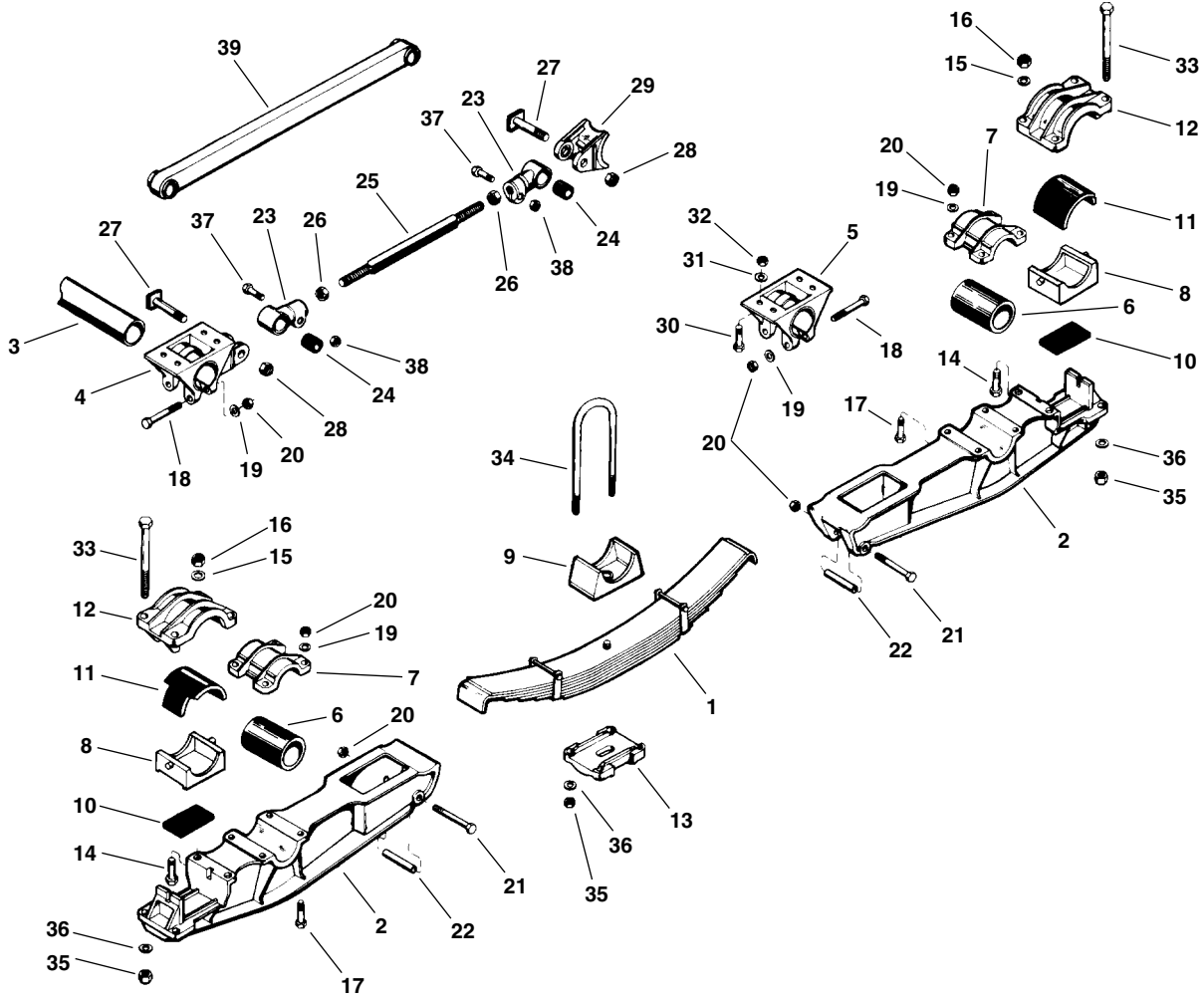
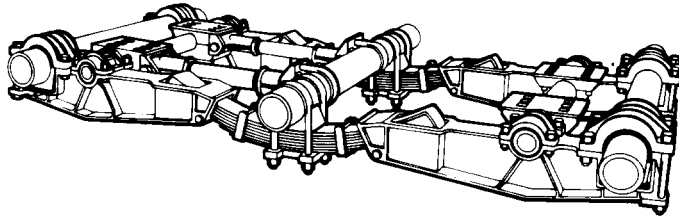
KEY NO.	MERITOR NO.	REPLACES NEWAY NO.	DESCRIPTION	QTY. PER TANDEM	TL-636-					PAGE NO.
					1	2	3	4	5	
1	S.O.S.	915 57 005	Spring Assembly (7 Leaf- 4 Wide)	4	X	X	X	X	X	—
2	R304310	910 10 054	Spring End Cap	4	X	X	X	X	X	1-470
3	R304307	910 08 032	Spring End Boot	4	X	X	X	X	X	1-469
4	R304306	910 01 062	Spring End Retainer	8	X	X	X	X	X	1-469
5	S.O.S.	930 03 359	Bolt, 5/8"-11 Thd. x 2 1/2"	16	X	X	X	X	X	—
6	R302988	934 00 488	Lock Nut, 5/8"-11 Thd.	24	X	X	X	X	X	1-478, 2-34
7	S.O.S.	910 18 011	Frame Mounting Bracket, Left Hand, 2 1/2" High	2	X					—
	S.O.S.	910 18 009	Frame Mounting Bracket, Left Hand, 4" High			X	X			—
	S.O.S.	910 18 016	Frame Mounting Bracket, Left Hand, 6" High	2				X	X	—
	S.O.S.	910 18 012	Frame Mounting Bracket, Right Hand, 2 1/2" High		X					—
	S.O.S.	910 18 010	Frame Mounting Bracket, Right Hand, 4" High			X	X			—
S.O.S.	910 18 017	Frame Mounting Bracket, Right Hand, 6" High					X	X	—	
8	S.O.S.	910 44 007	Frame Mounting Bracket, Flanges Optional	6	X	X	X	X	X	—
9	S.O.S.	910 18 025	Equalizer Frame Mounting Bracket, 3 7/16" High	2	X					—
	S.O.S.	910 18 024	Equalizer Frame Mounting Bracket, 4 15/16" High			X	X			
	S.O.S.	910 18 023	Equalizer Frame Mounting Bracket, 6 15/16" High					X	X	
10	S.O.S.	910 10 057	Equalizer Mounting Bracket Cap	2	X	X	X	X	X	—
11	R301335	910 08 037	Bushing	2	X	X	X	X	X	1-449
12	R304348	930 03 345	Bolt	8	X	X	X	X	X	2-32
13	S.O.S.	915 15 006	Equalizer Assembly	2	X	X	X	X	X	—
14	S.O.S.	930 03 017	Bolt, 1/2"-13 Thd. x 6"	4	X	X	X	X	X	—
15	S.O.S.	934 00 482	Lock Nut, 1/2"-13 Thd.	4	X	X	X	X	X	—
16	S.O.S.	910 01 078	Alignment Plate	2	X	X	X	X	X	—
17	S.O.S.	932 00 079	Screw, 3/4"-10 Thd. x 3 1/4"	4	X	X	X	X	X	—
18	S.O.S.	934 00 268	Jam Nut, 3/4"-10 Thd.	4	X	X	X	X	X	—
19	R302983	934 00 498	Lock Nut	16	X	X	X	X	X	2-34
20	S.O.S.	910 01 074	Fixed Axle Seat, 4 1/2" Round Axle	2	X	X		X		—
	S.O.S.	910 01 069					X		X	
	S.O.S.	910 01 075	Fixed Axle Seat, 5" Round Axle		X	X		X		—
	S.O.S.	910 01 070					X		X	
21	S.O.S.	910 01 071	Adjustable Axle Seat, 4 1/2" Round Axle	2	X	X		X		—
	S.O.S.	910 01 076					X		X	
	S.O.S.	910 01 072	Adjustable Axle Seat, 5" Round Axle		X	X		X		—
	S.O.S.	910 01 077					X		X	
22	S.O.S.	900 42 106	U-Bolt Assembly, Rd. Bend 7/8"-9 Thd. x 4 1/2" Wide x 11 1/2" Long	8	X	X		X		—
	S.O.S.	900 42 110	U-Bolt Assembly, Rd. Bend 7/8"-9 Thd. x 4 1/2" Wide x 12 1/2" Long				X		X	—
	R30U8166-12	900 41 174	U-Bolt Assembly, Rd. Bend 7/8"-9 Thd. x 5" Wide x 12" Long		X	X	X	X	X	2-26
23	R304300	910 10 108	Top Plate	4	X	X	X	X	X	1-468
24	S.O.S.	910 36 083	Equalizer Tube End	4	X	X	X	X	X	—
25	S.O.S.	936 00 138	Washer, 1/2"	8	X	X	X	X	X	—
26	R302546	936 00 162	Washer	16	X	X	X	X	X	2-35
27	R302547	939 00 025	Washer	24	X	X	X	X	X	2-35

NOTE: There are no Service Repair Kits available for the above suspensions

S.O.S. = Available through Meritor's S.O.S. Department

NEWAY SUSPENSION

TR-8540, TR-8600 Series Tri-Axle Spring Trailer



1

NEWAY SUSPENSION PARTS

TR-8540, TR-8600 Series

Tri-Axle Spring

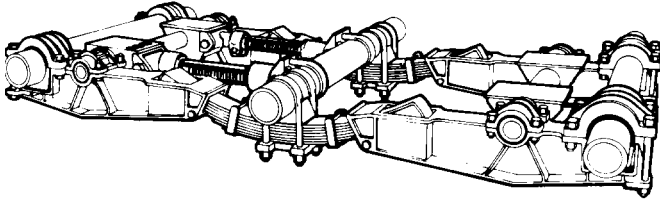
Trailer

KEY NO.	MERITOR NO.	REPLACES NEWAY NO.	DESCRIPTION	QTY. PER TRI-AXLE	TR-		PAGE NO.
					8540	8600	
1	S.O.S.	915 57 175	Spring Assembly	2	X		—
	S.O.S.	915 57 172				X	—
2	R309534	910 15 015	Equalizing Beam	4	X	X	1-477
3	S.O.S.	910 38 290	Trunnion Tube	2	X	X	—
4	S.O.S.	910 01 088	Front Trunnion Clamp & Radius Rod Casting	2	X	X	—
5	S.O.S.	910 01 066	Rear Trunnion Clamp Casting	2	X	X	—
6	R302935 (Rubber)	900 08 011	Bushings	4	X	X	1-448
	R307443 (Poly)						1-448, 2-11
7	S.O.S.	910 10 157	Trunnion Cap Casting	4	X	X	—
8	S.O.S.	910 01 089	Axle Adapter, 5" Round Axle, 15" Wheels	4	X	X	—
9	S.O.S.	910 01 075	Axle Seat, 5" Round, Center Axle	2	X	X	—
10	R301330 (Rubber)	910 28 089	Spring End Pad	4	X	X	1-452
	R308670 (Poly)						1-452, 2-11
11	R302945 (Rubber)	910 28 051	Wrapper	4	X	X	1-451
	R308679 (Poly)						1-451, 2-9
12	S.O.S.	910 10 060	Axle Cap, 5" Round Axle	4	X	X	—
13	R304300	910 10 108	Top Plate	2	X	X	1-468
14	S.O.S.	930 04 239	Cap Screw, 1"-8 Thd. x 3 1/2"	8	X	X	—
15	R302975	936 00 168	Washer	8	X	X	2-35
16	R304421	934 00 502	Lock Nut	8	X	X	2-34
17	S.O.S.	930 03 575	Bolt	16	X	X	—
18	R302989	930 03 633	Bolt	8	X	X	2-32
19	R302545	936 00 156	Washer	32	X	X	2-35
20	R304347	934 00 492	Lock Nut, 3/4"-10 Thd.	28	X	X	2-34
21	S.O.S.	930 03 657	Cap Screw, 3/4"-10 Thd. x 6"	4	X	X	—
22	S.O.S.	910 36 078	Pipe Spacer	4	X	X	—
23	R304316	915 44 002	Torque Arm End, Left Hand	1	X	X	1-452
	R304317	915 44 003	Torque Arm End, Right Hand	1	X	X	1-452
24	R302939 (Rubber)	910 08 007	Torque Arm Bushing	4	X	X	1-452
	R308676 (Poly)						1-452, 2-11
25	S.O.S.	915 06 003	Radius Rod, 1 1/4"-7 Thd. x 21 3/4"	1	X	X	—
26	R304274	934 00 036	Jam Nut, Left Hand	1	X	X	2-34
	R304275	934 00 284	Jam Nut, Right Hand	1	X	X	2-34
27	R304261	939 00 009	Bolt	4	X	X	1-472
28	R304273	934 00 569	Lock Nut	4	X	X	2-34
29	S.O.S.	910 18 005	Radius Rod Axle Bracket, 5" Round Axle	2	X	X	—
30	S.O.S.	903 03 345	Bolt	16	X	X	—
31	R302547	939 00 025	Washer	16	X	X	2-35
32	R302988	934 00 488	Lock Nut, 5/8"-11 Thd.	16	X	X	1-478, 2-34
33	S.O.S.	930 03 941	Cap Screw, 7/8"-9 Thd. x 9"	8	X	X	—
34	S.O.S.	900 41 170	U-Bolt Assembly, Rd. Bend, 7/8"-9 Thd. x 5 1/16" Wide x 11" Long	4	X	X	—
35	R302983	934 00 498	Lock Nut	16	X	X	2-34
36	R302546	936 00 162	Washer	16	X	X	2-35
37	S.O.S.	930 02 921	Cap Screw, 1/2"-13 Thd. x 2"	2	X	X	—
38	S.O.S.	934 00 482	Lock Nut, 1/2"-13 Thd.	2	X	X	—
39	S.O.S.	915 44 149	Fixed Radius Rod, Includes Two 900 08 007 Bushings	1	X	X	—
—	R304391	SRK-39 481 00 050	Radius Rod Repair Kit Includes Key Nos. 24, 27, 28	1	X	X	1-464
—	S.O.S.	SRK-97 481 00 145	5" Round Trunnion & End Axle Kit Includes Key Nos. 6, 10, 11, 14, 15, 16, 17, 19, 20, 33, 35, 36	1	X	X	—

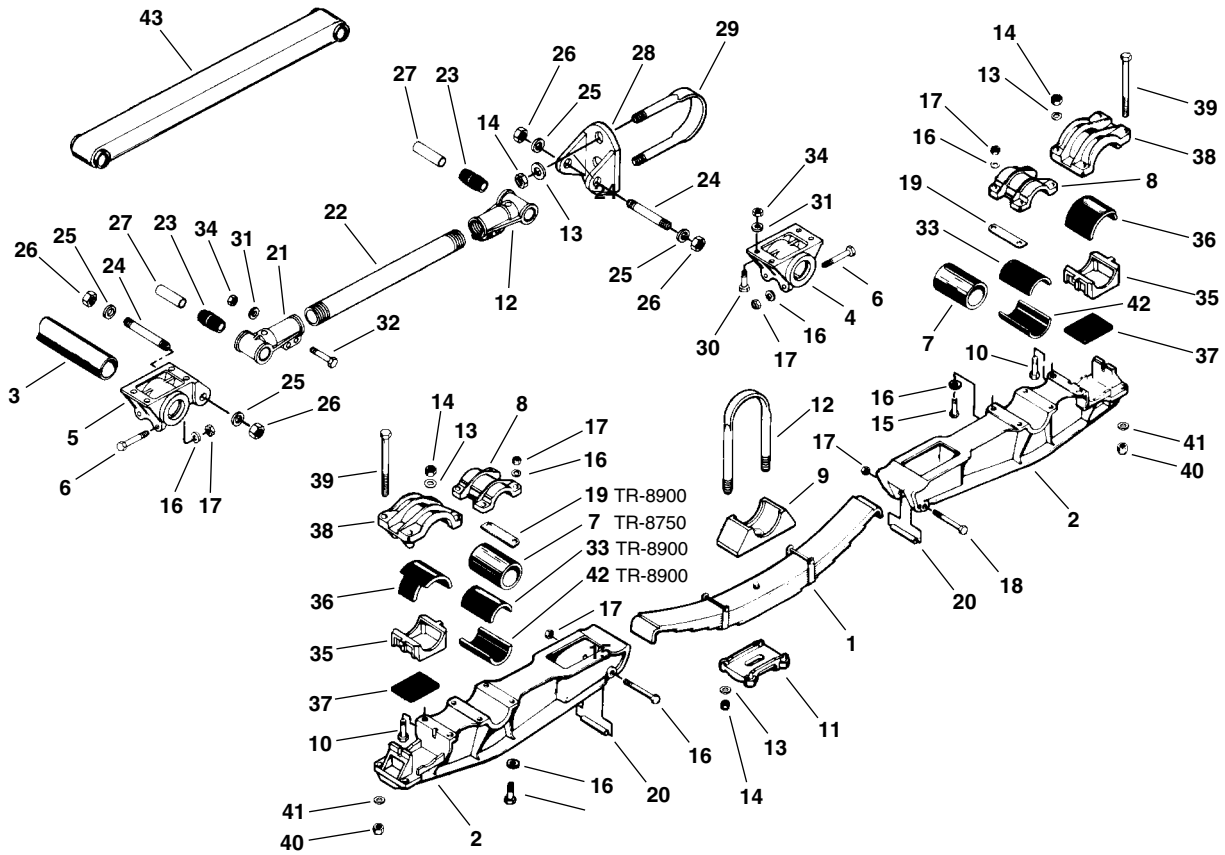
S.O.S. = Available through Meritor's S.O.S. Department

NEWAY SUSPENSION

TR-8750, TR-8900 Series Tri-Axle Spring Trailer



1



LEAF SPRING REFERENCES

SRI No.

TRA 2687

7 Leaf

NEWAY SUSPENSION PARTS

TR-8750, TR-8900 Series

Tri-Axle Spring

Trailer

N/A = No Longer Available

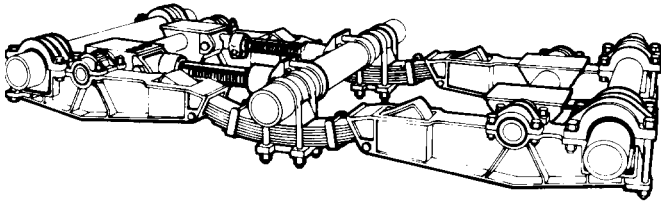
KEY NO.	MERITOR NO.	REPLACES NEWAY NO.	DESCRIPTION	QTY. PER TRI-AXLE	TR-		PAGE NO.
					8750	8900	
1	S.O.S.	915 57 172	Spring Assembly	2	X	X	—
2	R309534	910 15 015	Equalizing Beam, 5" Round Axle	4	X	X	1-477
	S.O.S.	915 15 011	Equalizing Beam, 5 3/4" Round Axle	2	X	X	
3	S.O.S.	910 38 290	Trunnion Tube	2	X	X	—
4	S.O.S.	915 01 011	Rear Trunnion Clamp	2	X	X	—
5	S.O.S.	915 18 040	Front Trunnion Clamp, Left Hand	1	X	X	—
	S.O.S.	915 18 041	Front Trunnion Clamp, Right Hand	1	X	X	—
6	R302989	930 03 633	Bolt	8	X	X	2-32
7	R302935 (Rubber)	900 08 011	Trunnion Bushing	4	X		1-448
	R307443 (Poly)						1-448, 2-11
8	S.O.S.	910 10 157	Trunnion Cap	4	X	X	—
9	S.O.S.	910 01 075	Axle Seat, 5" Round Axle	2	X	X	—
	S.O.S.	910 01 073	Axle Seat, 5 3/4" Round Axle		X	X	
10	S.O.S.	930 04 239	Cap Screw, 1"-8 Thd. x 3 1/2", 5" Round Axle	8	X	X	—
	S.O.S.	930 04 251	Cap Screw, 1"-8 Thd. x 4", 5 3/4" Round Axle		X	X	
11	R304300	910 10 108	Top Plate, 5" Round Axle	2	X	X	1-468
	S.O.S.	910 10 093	Top Plate, 5 3/4" Round Axle		X	X	—
12	R30U8475-114	900 41 824	U-Bolt Assembly, Flat Rd. Bend, 1"-14 Thd. x 5" Wide x 11 1/2" Long	4	X	X	2-30
	S.O.S.	900 42 814	U-Bolt Assembly, Flat Rd. Bend 1"-14 Thd. x 5" Wide x 12" Long		X	X	—
13	R302975	936 00 168	Washer	20	X	X	2-35
14	R304421	934 00 500 (Old) 934 00 502 (New)	Lock Nut	20	X	X	2-34
15	S.O.S.	930 03 585	Cap Screw, 3/4"-10 Thd. x 3"	16	X	X	—
16	R302545	936 00 156	Washer	32	X	X	2-35
17	R304347	934 00 492	Lock Nut, 3/4"-10 Thd.	28	X	X	2-34
18	S.O.S.	930 03 657	Cap Screw, 3/4"-10 Thd. x 6"	4	X	X	—
19	S.O.S.	910 36 078	Trunnion Cap Spacer	8		X	—
20	S.O.S.	910 36 078	Pipe Spacer	4	X	X	—
21	S.O.S.	915 44 137	Radius Rod End, Left Hand, Includes R302940 Bushing	1	X	X	—
	S.O.S.	915 44 138	Radius Rod End, Right Hand, Includes R302940 Bushing	1	X	X	—
22	S.O.S.	910 38 475	Radius Rod Screw	1	X	X	—
23	R302940 (Rubber)	900 08 002	Beam End Bushing	4	X	X	1-448
	R308677 (Poly)						1-448, 2-10
24	R304361	932 00 945	Bolt	4	X	X	1-472, 2-32
25	R302548	936 00 174	Washer	8	X	X	2-35
26	R304358	934 00 506	Lock Nut	4	X	X	2-34
27	S.O.S.	900 38 083	Derlin Liner, S.O.S. only	4	X	X	—
28	S.O.S.	910 18 039	Radius Rod Axle Bracket	2	X	X	—

S.O.S. = Available through Meritor's S.O.S. Department

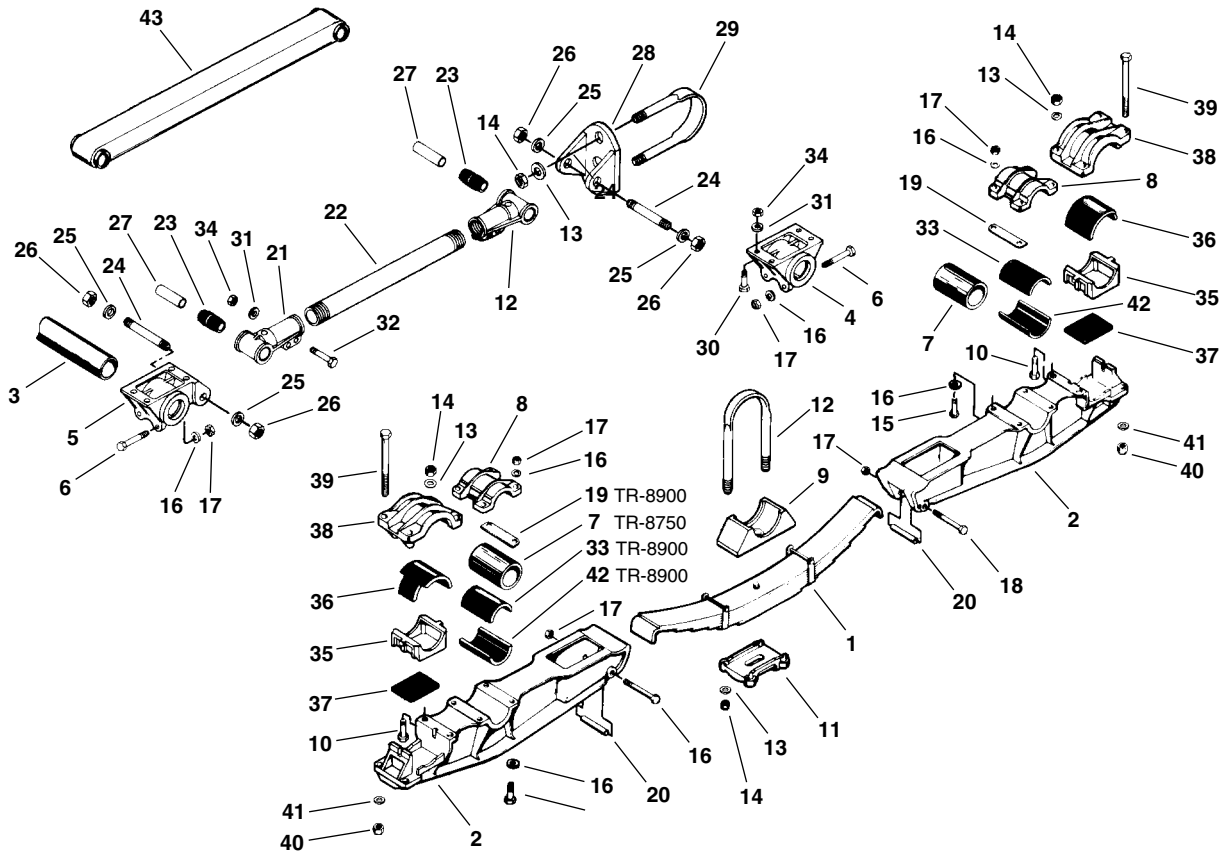
Continued On Next Page

NEWAY SUSPENSION

TR-8750, TR-8900 Series Tri-Axle Spring Trailer



1



LEAF SPRING REFERENCES

SRI No.

TRA 2687

7 Leaf

NEWAY SUSPENSION PARTS

TR-8750, TR-8900 Series

Tri-Axle Spring

Trailer

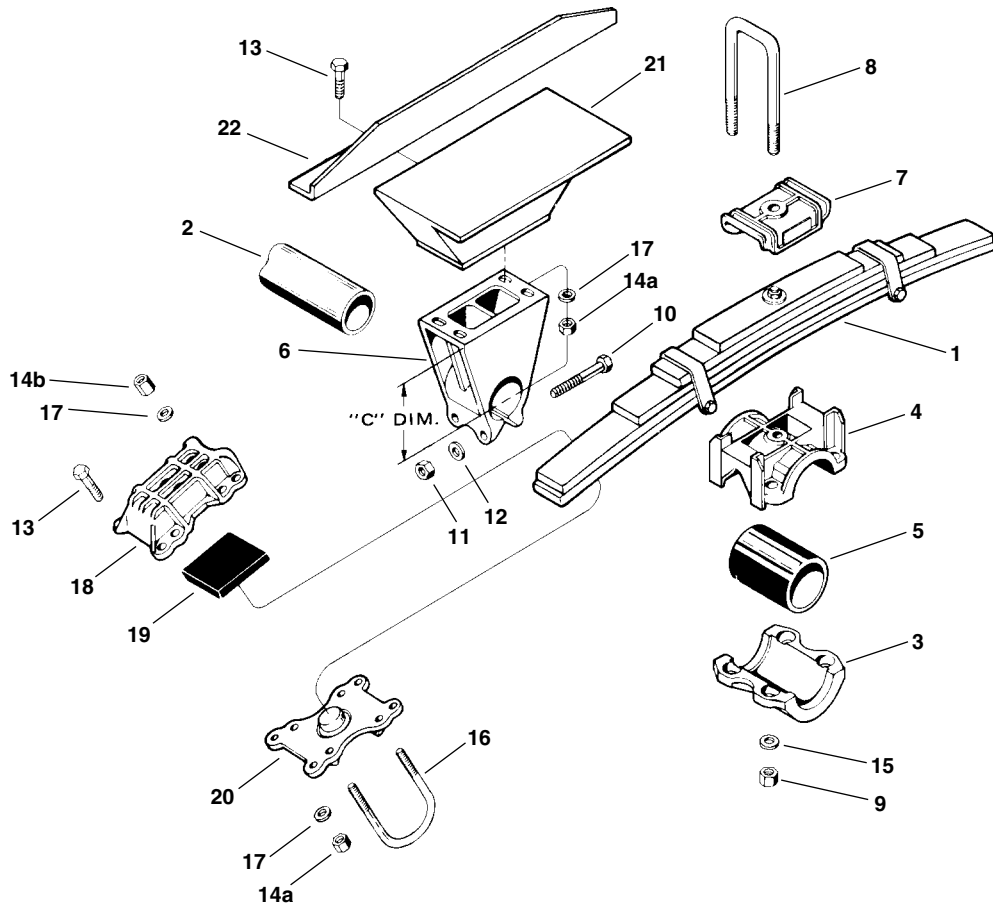
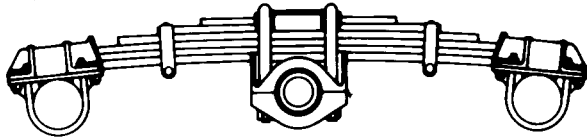
N/A = No Longer Available

KEY NO.	MERITOR NO.	REPLACES NEWAY NO.	DESCRIPTION	QTY. PER TRI-AXLE	TR-		PAGE NO.
					8750	8900	
29	S.O.S.	900 41 808	U-Bolt Assembly, Flat Rd., 1"-8 Thd. x 5 1/16" Wide x 7 1/2" Long	2	X	X	—
	S.O.S.	900 41 842	U-Bolt Assembly, Flat Rd., 1"-8 Thd. x 5 13/16" Wide x 8" Long		X	X	—
30	R304348	930 03 345	Bolt	16	X	X	2-32
31	R302547	939 00 025	Washer	20	X	X	2-35
32	S.O.S.	930 03 387	Cap Screw 5/8"-11 Thd. x 2" Grade 5	4	X	X	—
33	N/A	910 08 112	Replaced By Complete Trunnion Part No. R307443	4		X	—
34	R302988	934 00 488	Lock Nut, 5/8"-11 Thd.	20	X	X	1-478, 2-34
35	S.O.S.	910 01 089	Axle Adapter, 5" Round Axle	4	X	X	—
	S.O.S.	910 01 120	Axle Adapter, 5 3/4" Round Axle		X	X	
36	R302945 (Rubber)	910 28 051	Wrapper, 5" Round Axle	4	X	X	1-451
	R308679 (Poly)						1-451, 2-9
	R302946 (Rubber)	910 28 053	Wrapper, 5 3/4" Round Axle		X	X	1-451
37	R301330 (Rubber)	910 28 089	End Pad	4	X	X	1-452
	R308670 (Poly)						1-452, 2-11
38	S.O.S.	910 10 060	Axle Cap, 5" Round Axle	4	X	X	—
	S.O.S.	910 10 059	Axle Cap, 5 3/4" Round Axle		X	X	
39	S.O.S.	930 03 941	Cap Screw, 7/8"-9 Thd. x 9"	8	X	X	—
40	R302983	934 00 498	Lock Nut	8	X	X	2-34
41	R302546	936 00 162	Washer	8	X	X	2-35
42	R307443	910 08 112	Upper & Lower Half Trunnion Bushing	4		X	1-448, 2-11
43	S.O.S.	915 44 147	Fixed Radius Rod, Includes Two R302940 900 08 002 Bushings	1	X	X	—
—	S.O.S.	SRK-98	Radius Rod Kit, Includes Key Nos. 23, 24, 25, 26, 27, 31, 32, 34	1	X	X	—
—	S.O.S.	SRK-88	Heavy-Duty Fiber Trunnion, Kit Includes Key Nos. 15, 16, 17, 33	1	X	X	—
—	S.O.S.	SRK-97	5" Round Trunnion & End Axle Kit Includes Key Nos. 7, 10, 13, 14, 15, 16, 17, 36, 37, 39, 40, 41	1	X		—
—	S.O.S.	SRK-134	5" Round Trunnion & End Axle, Kit Includes Key Nos. 10, 13, 14, 15, 16, 17, 36, 37, 39, 40, 41, 42	1		X	—
—	S.O.S.	SRK-100	5 3/4" Round Trunnion & End Axle, Kit Includes Key Nos. 10, 13, 14, 15, 16, 17, 36, 37, 39, 40, 41, 42	1	X	X	—

S.O.S. = Available through Meritor's S.O.S. Department

NEWAY SUSPENSION

TS-426-A, 432, 436, 442, 536, 542 Series Two Spring Tandem Trailer



LEAF SPRING REFERENCES

SRI No.

TRA 2241	5 Leaf - TS536
TRA 2662	5 Leaf - TS426A
TRA 2663	5 Leaf - TS432
TRA 2670	5 Leaf - TS436
TRA 2247	6 Leaf - TS542
TRA 2670	6 Leaf - TS442
TRA 2665	7 Leaf - TS550
TRA 2681	9 Leaf - TS560

1

NEWAY SUSPENSION PARTS

TS-426-A, 432, 436, 442, 536, 542 Series

Two Spring Tandem - Trailer

KEY NO.	MERITOR NO.	REPLACES NEWAY NO.	DESCRIPTION	QTY. PER TANDEM	TS-						PAGE NO.
					426-A	432	436	442	536	542	
1	S.O.S.	915 57 014	Spring Assembly, 5 Leaf- 5 Wide 2 Main Leaf	2	X						—
	S.O.S.	915 57 016				X	X				
	S.O.S.	915 57 018								X	
	S.O.S.	915 57 017	Spring Assembly, 6 Leaf- 5 Wide 3 Main Leaf	2				X			—
	S.O.S.	915 57 019								X	
2	R302964	910 38 003	Trunnion Shaft	1	X	X	X	X	X	X	1-471
	S.O.S.	910 38 004						X		X	—
3	R304302	910 10 047	Trunnion Cap	2	X	X	X	X	X	X	1-469
4	R304301	910 01 051	Trunnion Cap	2	X	X	X	X	X	X	1-469
5	R301332 (Rubber)	910 08 022	Trunnion Bushing	2	X	X	X	X	X	X	1-448
	R307486 (Poly)										1-448, 2-11
6	R305213	910 01 054	Trunnion Mounting Bracket, 2 1/2" C Dimension	2	X	X	X	X	X	X	1-471
	R304312	910 01 055	Trunnion Mounting Bracket, 4 1/2" C Dimension		X	X	X	X	X	X	
	R305214	910 01 056	Trunnion Mounting Bracket, 6 1/2" C Dimension		X	X	X	X	X	X	
	R305215	910 01 058	Trunnion Mounting Bracket, 8 1/2" C Dimension		X	X	X	X	X	X	
7	R304298	910 10 021	Top Plate	2	X	X	X	X	X	X	1-468
8	R30U8287-11	900 42 796	U-Bolt Assembly, Sq. Bend, 1 1/8"-12 Thd. x 5 3/4" Wide x 11" Long, 5 and 6 Leaf Springs	4	X	X	X	X	X	X	2-28
	R30U8287-14	—	U-Bolt Assembly, Sq. Bend, 1 1/8"-12 Thd. x 5 3/4" Wide x 14" Long, 7 and 8 Leaf Springs								
9	R304358	934 00 506	Lock Nut	8	X	X	X	X	X	X	2-34
10	S.O.S.	930 03 621	Cap Screw, 3/4"-10 Thd. x 4 1/2"	4	X	X	X	X	X	X	—
11	R304347	934 00 492	Lock Nut, 3/4"-10 Thd.	4	X	X	X	X	X	X	2-34
12	R302545	936 00 156	Washer	4	X	X	X	X	X	X	2-35
13	R304348	930 03 345	Bolt	24	X	X	X	X	X	X	2-32
14a	R302988	934 00 488	Lock Nut, 5/8"-11 Thd.	20	X	X	X	X	X	X	1-478, 2-34
14b	R303000	—	Hi-Nut, 5/8"-18 Thd., 1 15/16" Hex, 27/32" High	20	X	X	X	X	X	X	2-34
15	R302548	936 00 174	Washer	8	X	X	X	X	X	X	2-35
16	R30U8145-076	900 41 067	U-Bolt Assembly, Rd. Bend, 5/8"-18 Thd. x 5" Wide x 7 3/4" Long	8	X	X	X	X	X	X	2-25
	S.O.S.	900 42 061	U-Bolt Assembly, Rd. Bend, 5/8"-18 Thd. x 8 1/2" Long, 7 & 9 Leaves Spring								—
17	R302547	939 00 025	Washer	40	X	X	X	X	X	X	2-35
18	R304309	910 10 043	Spring End Cap	4	X	X	X	X	X	X	1-470
	R304308	910 10 038			X	X	X	X	X	X	1-470
19	R301330 (Rubber)	910 28 089	Rubber End Pad	4	X						1-452
	R308670 (Poly)										1-452, 2-11
	R301329A (Rubber)										910 28 152
20	R304305	910 01 044	Spring End Pad	4	X	X	X	X	X	X	1-469
	R302965	910 01 049	Spring End Repair Pad	4	X	X	X	X	X	X	1-469
21	S.O.S.	910 18 008	Frame Bracket	2	X	X	X	X	X	X	—
22	S.O.S.	910 23 057	Frame Support Angle	2	X	X	X	X	X	X	—
—	S.O.S.	SRK-22	Trunnion Connection Kit Includes Key Nos. 5, 9, 15, 16	1			X	X	X	X	—
—	R304383	SRK-23 481 00 020	5" Round Axle Connection Kit Includes Key Nos. 13, 14, 16, 17, 19	2			X	X	X	X	1-465
—	S.O.S.	SRK-24					X	X	X	X	—

NOTE: To serve a TSF model, use SRK-52-1

S.O.S. = Available through Meritor's S.O.S. Department

NEWAY TRUNNION AND BEAM END BUSHING

TRUNNION BUSHING



MERITOR NO.	REPLACES NEWAY	FOR MODEL	O.D.	I.D.	LENGTH
R301334 (Rubber)	910 08 040	TA	4 1/2"	3 1/2"	3 1/2"
R307442 (Poly)					
R302935 (Rubber)	900 08 011	TR	4 1/2"	3 1/2"	5 3/4"
R307443 (Poly)					
R301333 (Rubber)	910 08 014	RTS	5"	4"	5 3/4"
R308672 (Poly)					
R301332 (Rubber)	910 08 022	TS, USR	5"	4"	8 3/4"
R307486 (Poly)					

TRUNNION BUSHING - UPPER & LOWER HALF Rubber



Replaced by Trunnion Bushing R307443 (Neway 910 08 014)

MERITOR NO.	REPLACES NEWAY	FOR MODEL	LENGTH
N/A	910 08 005	TR8900	5 3/4"

CENTER BEAM BUSHING



MERITOR NO.	REPLACES NEWAY	FOR MODEL	O.D.	I.D.	LENGTH
R304252 (Rubber)	900 08 006	ARD with 5 1/4" wide Hanger	3 7/8"	2 1/2"	5 1/4"
R304253 (Rubber)	900 08 008	ARD with 5 3/4" wide Hanger	3 7/8"	2 1/2"	5 3/4"
R308681 (Poly)					
R304410A (Rubber)	900 08 148 900 08 149	AR-90	2 3/4"	1 1/8"	5"
R309293 (Rubber)	900 08 135	ARDST, ARDSTM & ARDSTL	4 1/8"	2 5/8"	5 1/4"

BEAM END BUSHING



MERITOR NO.	REPLACES NEWAY	FOR MODEL	O.D.	I.D.	LENGTH
R302936	Neway 900 08 005 Reyco 0926-00 Trailmobile 30-90008005	ART-500-US	3 1/4"	2 1/2"	9"

BEAM END BUSHING

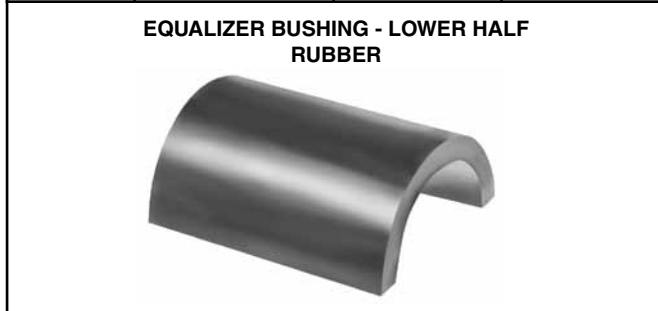


MERITOR NO.	REPLACES NEWAY	FOR MODEL	O.D.	I.D.	LENGTH
R302940 (Rubber)	900 08 002	Old Style AR-50, ARD	2 3/8"	1 1/4"	5"
R308677 (Poly)					
R304255 (Rubber)	900 08 131	New Style AR-50	2 3/8"	1 1/8"	5"
R307485 (Poly)					
R304256 (Rubber)	900 08 145	New Style ARD	2 5/8"	1 1/8"	5"

NEWAY EQUALIZER AND SHACKLE PIN BUSHING



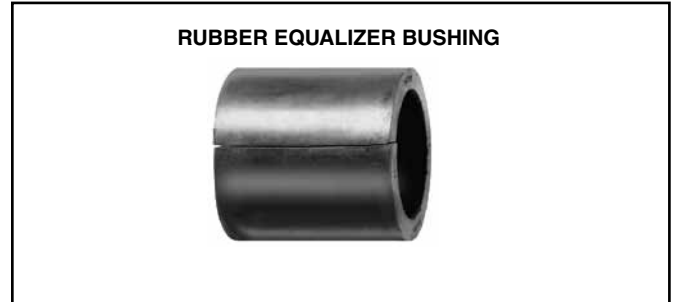
MERITOR NO.	REPLACES NEWAY	FOR MODEL	LENGTH
R305080	910 08 006	TL-644	4"



MERITOR NO.	REPLACES NEWAY	FOR MODEL	LENGTH
R305081	910 08 033	TL-644	4"



MERITOR NO.	REPLACES NEWAY	FOR MODEL	HOLE DIA.	LENGTH	THICK
R305079	910 31 001	TL-644	21/32"	4"	1/8"

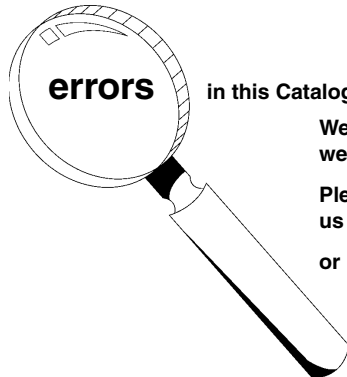


MERITOR NO.	REPLACES NEWAY	FOR MODEL	O.D.	I.D.	LENGTH
R301335	910 08 037	TL	3 3/4"	2 13/16"	4"



MERITOR NO.	REPLACES NEWAY	FOR MODEL	O.D.	I.D.	LENGTH
R301336	910 08 047	TA	2 3/4"	1 3/4"	2 3/8"

If you detect any **errors** in this Catalog, please let us know.



We want the information to be as accurate as possible; we appreciate your help in making it so.

Please e-mail any comments/suggestions/corrections to us at: catalogfeedback@arvinmeritor.com

or mail to: ArvinMeritor, Inc.
Attn: Catalog Dept.
7975 Dixie Highway
Florence, KY 41042-2754

NEWAY BEAM END AND TRANSVERSE BEAM BUSHINGS



MERITOR NO.	REPLACES NEWAY	FOR MODEL	O.D.	I.D.	LENGTH
R302938 (Rubber)	900 08 102	OLD STYLE AR70 AR-95	3 1/2"	1 1/4"	5 13/16"
R304382A (Rubber)	900 08 139	AR-41, 70, 75M90,95 ART-500-B 500-7S-A	3 1/2"	1 1/8"	5 1/4"
R308683 (Poly)					
R309292 (Rubber)	900 08 151	ARDST, ARDSTM & ARDSTML	3 1/2"	1 1/8"	5"



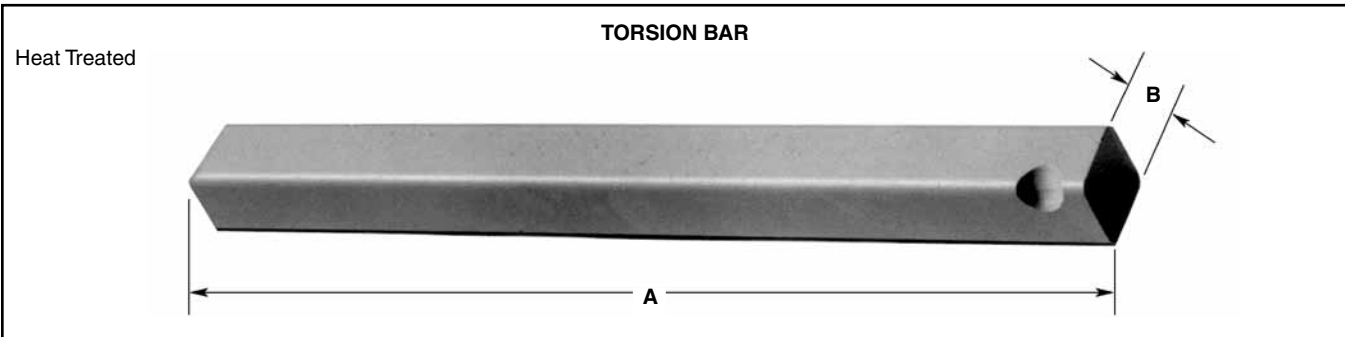
MERITOR NO.	REPLACES NEWAY	FOR MODEL	O.D.	I.D.	LENGTH
R304257 (Rubber)	900 08 113	ARD (Except ARD-234-6)	Large 3 9/32"	Large 3 13/16"	2 1/8"
R308682 (Poly)			Small 2 25/32"	Small 3 9/16"	



MERITOR NO.	REPLACES NEWAY	FOR MODEL	O.D.	I.D.	LENGTH
R302998	950 08 001	AR-120/125 AR-120/125L AR-120/125US AR-165-US	4 1/2"	1 1/2" Sq.	4 9/16"

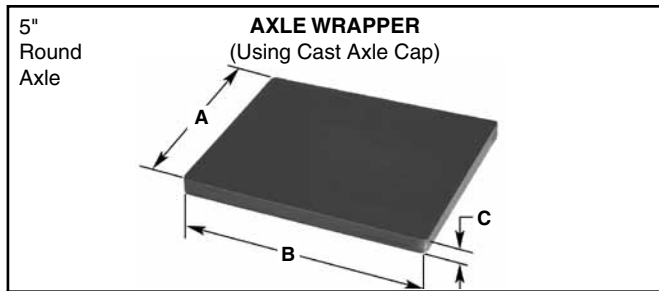


MERITOR NO.	REPLACES NEWAY	FOR MODEL	O.D.	I.D.	LENGTH
R304254	900 08 104	ARD-234-6	3 3/8"	2"	5 1/4"

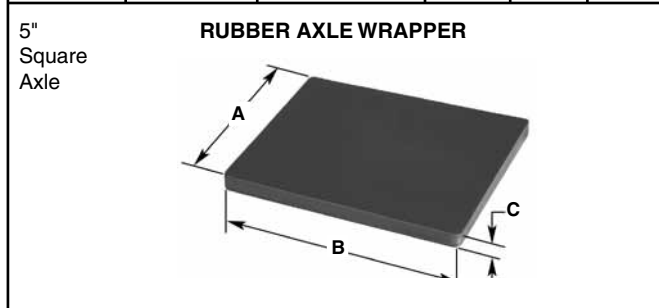


MERITOR NO.	REPLACES NEWAY	FOR MODEL	A	B
R304405	900 06 003	AR-120 AR-125 AR-165	42 7/8"	1 1/2" Sq.
R302963	900 06 001		43 7/8"	
R304406	900 06 034		45 3/4"	
R304313	900 06 025		50"	

NEWAY WRAPPERS AND PADS



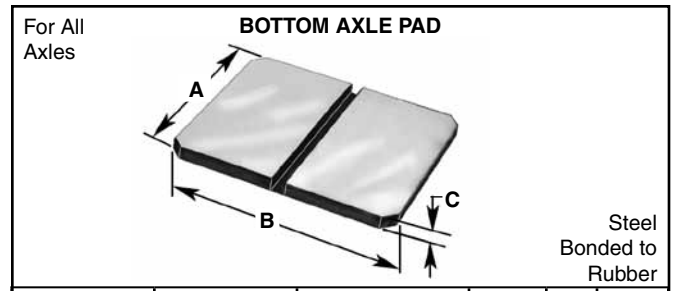
MERITOR NO.	REPLACES NEWAY	FOR MODEL	A	B	C
R302009 (Rubber)	900 28 007	Old Style AR-50 AR-95-HD AR-165-US AR-120/125 ART-500-US ART-500-US-A 5" Rd. Axle	8"	7 1/4"	3/8"
R308673 (Poly)					
R302941 (Rubber)	900 28 022	AR-50 Old Style 5" Rd. Axle	7 1/4"	8"	7/16"
R302011 (Rubber)	910 28 010	RTS 5" Rd. Axle	4 1/8"	9 1/2"	11/16"
R301326 (Rubber)	910 28 060	TA 5" Rd. Axle	3 5/8"	8 3/4"	5/8"



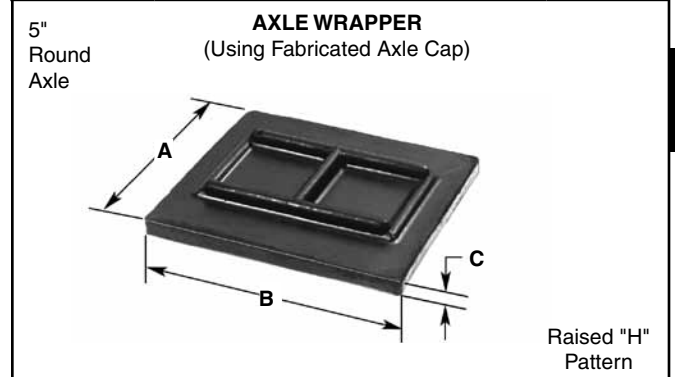
MERITOR NO.	REPLACES NEWAY	FOR MODEL	A	B	C
R302944	900 28 005	Old Style AR-50 AR-95-HD AR-120/125 AR-165-US 5" Sq. Axle	7 1/8"	9 9/16"	3/8"



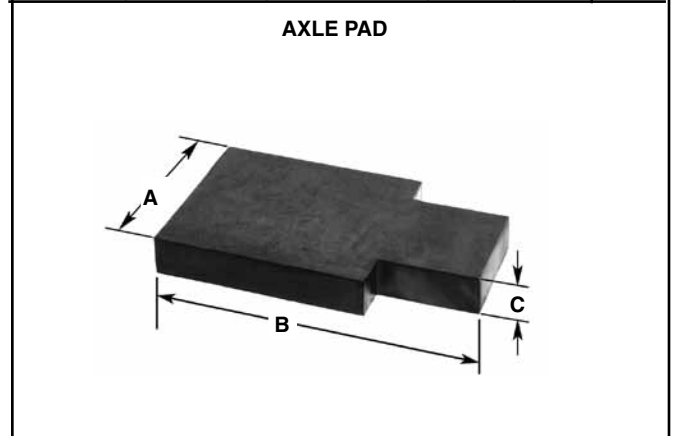
MERITOR NO.	REPLACES NEWAY	FOR MODEL	A	B	C
R304409	900 28 073	New Style All AR & ART (Except AR-90 & AR-95-HD)	7 1/4"	9 5/8"	3/8"



MERITOR NO.	REPLACES NEWAY	FOR MODEL	A	B	C
R302010 (Rubber)	900 28 016	Old Style AR-50, AR-165 AR-120/125	5 5/8"	7"	3/8"
R308674 (Poly)					

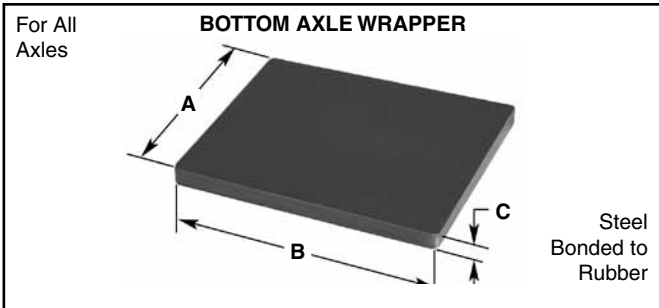


MERITOR NO.	REPLACES NEWAY	FOR MODEL	A	B	C
R302943 (Rubber)	900 28 047	New Style All AR and ART Models Except AR-90 and AR-95 HD 5" Rd. Axle	7 1/4"	8"	1/2"
R308678 (Poly)					

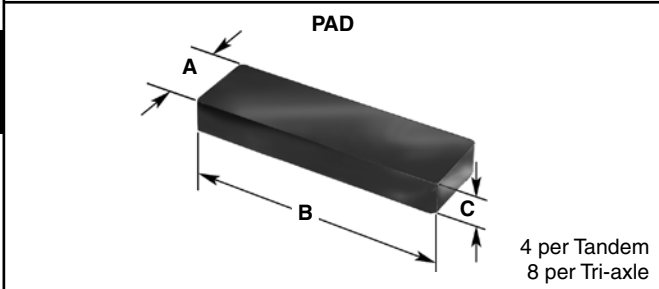


MERITOR NO.	REPLACES NEWAY	FOR MODEL	A	B	C
R302945 (Rubber)	910 28 051	TR 5" Rd. Axle	5"	9"	3/4"
R308679 (Poly)					
R302946 (Rubber)	910 28 053	TR 5 3/4" Rd. Axle	5"	9 1/2"	3/8"

NEWAY PADS & TORQUE ARMS



MERITOR NO.	REPLACES NEWAY	FOR MODEL	A	B	C
R302947A (Rubber)	900 28 075	New Style All AR and ART Models (Except AR-90)	5 5/8"	7 1/16"	7/16"
R308680 (Poly)					



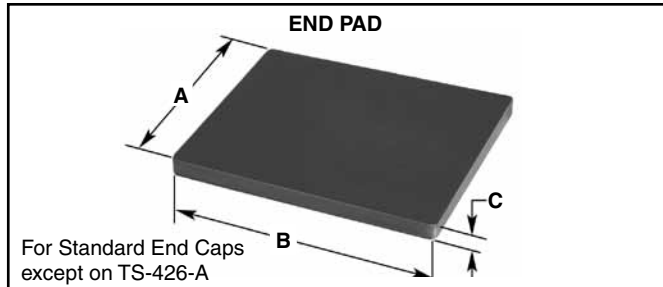
MERITOR NO.	REPLACES NEWAY	FOR MODEL	A	B	C
R301331 (Rubber)	910 28 023	RTS, TA	1 5/8"	5 7/16"	11/16"
R308671 (Poly)					



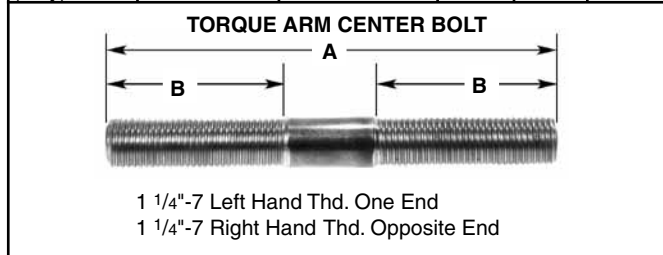
MERITOR NO.	REPLACES NEWAY	FOR MODEL	A	THREAD
R304316	915 44 002	ARD-165 RTS,TR	4 1/2"	1 1/4"-7 LH



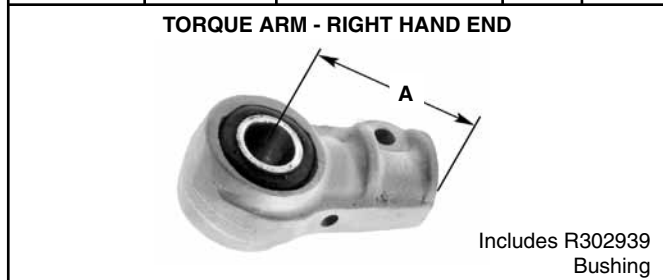
MERITOR NO.	REPLACES NEWAY	FOR MODEL	CENTER-TO-CENTER
R304319	915 44 001	RTS-218, 222 536, 544	14 9/16"



MERITOR NO.	REPLACES NEWAY	FOR MODEL	A	B	C
R301329A (Rubber)	910 28 152	SB, TS, USR	4 5/8"	6 1/2"	5/8"
R301330 (Rubber)	910 28 089	SB, TR TS, USR	4 5/8"	5 1/4"	13/16"
R308670 (Poly)					



MERITOR NO.	REPLACES NEWAY	FOR MODEL	A	B
R304318A	932 00 047	ARD-165, RTS, TR	11"	4 1/4"

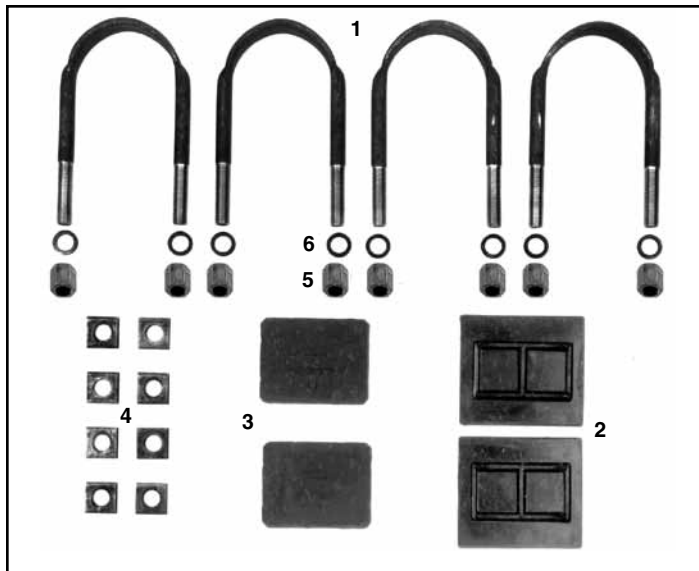


MERITOR NO.	REPLACES NEWAY	FOR MODEL	A	THREAD
R304317	915 44 003	ARD-165, RTS, TR	4 1/2"	1 1/4"-7 RH



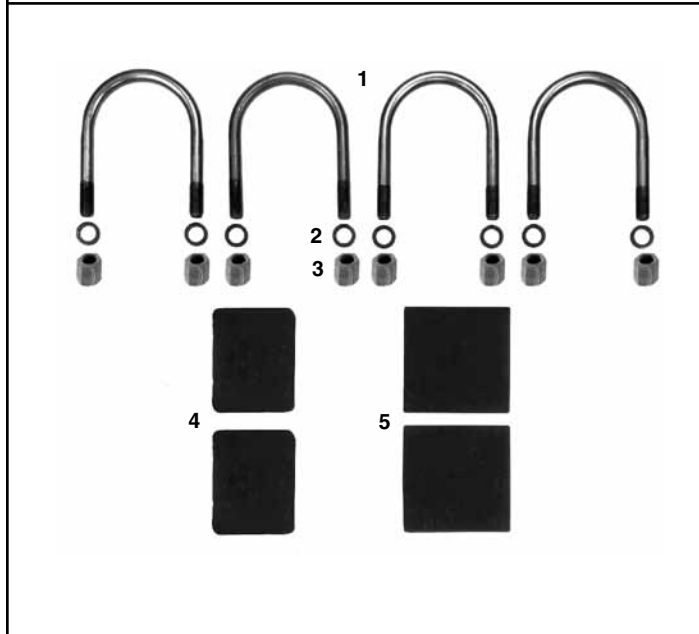
MERITOR NO.	REPLACES NEWAY	FOR MODEL	O.D.	I.D.	LGTH.
R302939 (Rubber)	910 08 007	ARD-165	2 3/8"	1 1/4"	2 1/2"
R308676 (Poly)		All RTS, T-8540, TR-8540, 8600			

NEWAY AIR SUSPENSION AXLE CONNECTION KITS



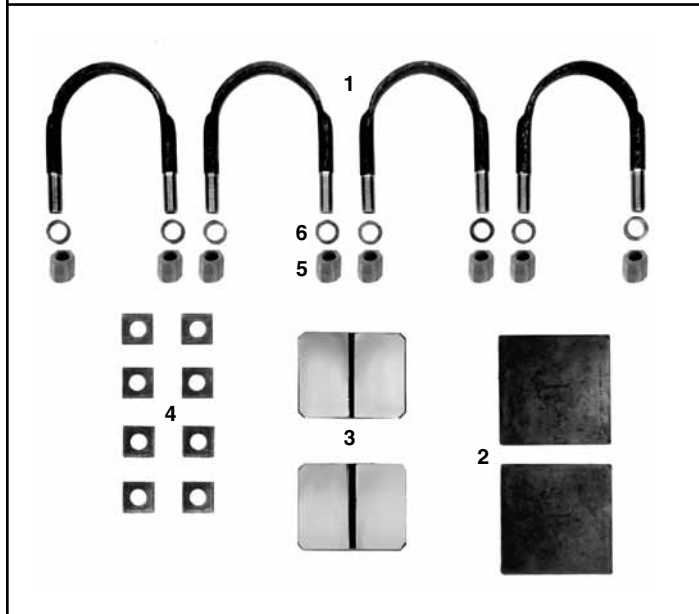
MERITOR KIT R302977A
Replaces Neway Kit SRK-64

ITEM	QTY.	MERITOR NO.	REPLACES NEWAY	DESCRIPTION
1	4	R30U8479-090	900 41 878	U-Bolt- 1"-14 Thd. UNC x 9" Long
2	2	R302943	900 28 047	Axle Wrapper
3	2	R302947A	900 28 075	Axle Pad
4	8	R302975	936 00 028	1" Flat Sq. Washer
5	8	R303003	934 00 502	1"-14 Thd. Lock Nut
6	8	R304353	939 00 027	1 5/8" Washer



MERITOR KIT R304389
(Heavy-Duty Version of R302977A)
Replaces Neway Kit SRK-117

ITEM	QTY.	MERITOR NO.	REPLACES NEWAY	DESCRIPTION
1	4	R30U8179-09	900 41 382	U-Bolt Assembly, Rd. Bend, 1"-14 Thd. x 6 3/8" Wide x 9" Long
2	8	R304353	939 00 027	1 5/8" Washer
3	8	R303003	934 00 502	1"-14 Thd. Lock Nut
4	2	R302947A	900 28 075	Axle Pad
5	2	R302009	900 28 007	Axle Wrapper

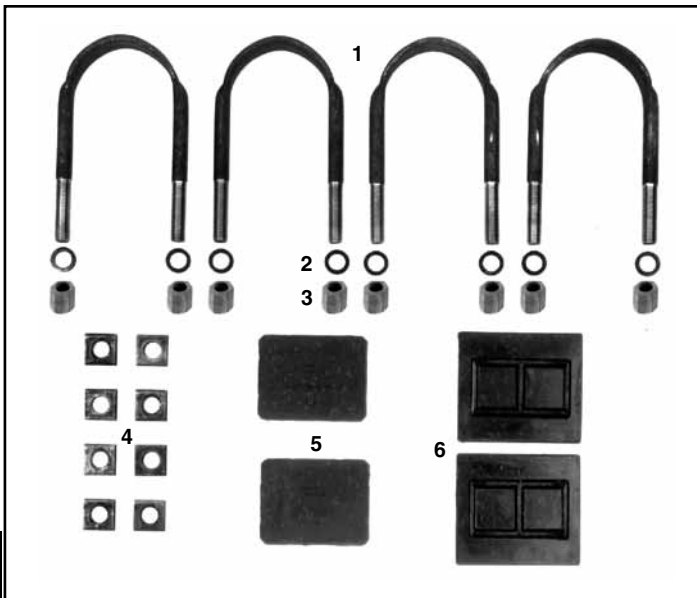


MERITOR KIT R302978A
Old Style Version of R302977A
Replaces Neway Kit SRK-4

ITEM	QTY.	MERITOR NO.	REPLACES NEWAY	DESCRIPTION
1	4	R30U8479-090	900 41 878	U-Bolt-1"-14 Thd. UNC x 9" Long
2	2	R302009	900 28 007	Axle Wrapper
3	2	R302947A	900 28 016	Axle Pad
4	8	R302960	936 00 028	1" Flat Sq. Washer
5	8	R303003	934 00 502	1"-14 Thd. Lock Nut
6	8	R304353	939 00 027	1 5/8" Washer

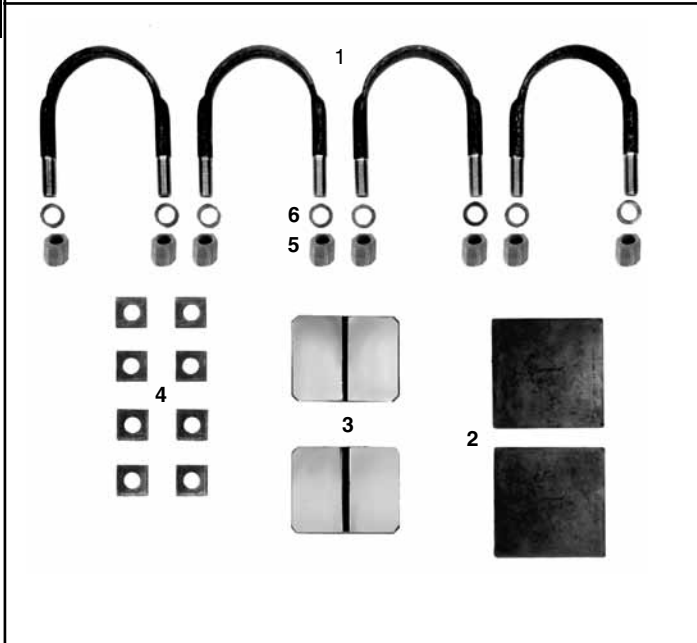
NEWAY AIR SUSPENSION AXLE CONNECTION KITS

1



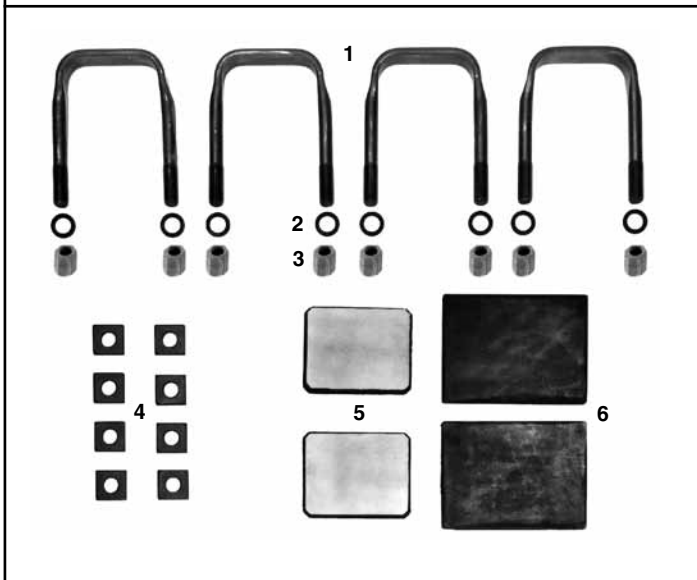
MERITOR KIT R304390
Replaces Neway Kit SRK-128

ITEM	QTY.	MERITOR NO.	REPLACES NEWAY	DESCRIPTION
1	4	R30U8479-124A	900 42 792	U-Bolt 1"-14 Thd. x 12 1/2" Long
2	8	R304353	939 00 027	1 5/8" Washer
3	8	R303003	934 00 502	1"-14 Thd.Lock Nut
4	8	R302975	936 00 028	1" Flat Sq. Washer
5	2	R302947A	900 28 075	Axle Pad
6	2	R302943	900 28 047	Axle Wrapper



MERITOR KIT R302979A
Old Style Version of R304390
Replaces Neway Kit SRK-5 & SRK-126

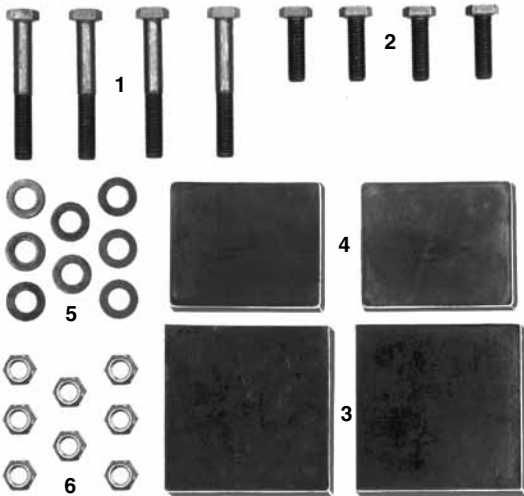
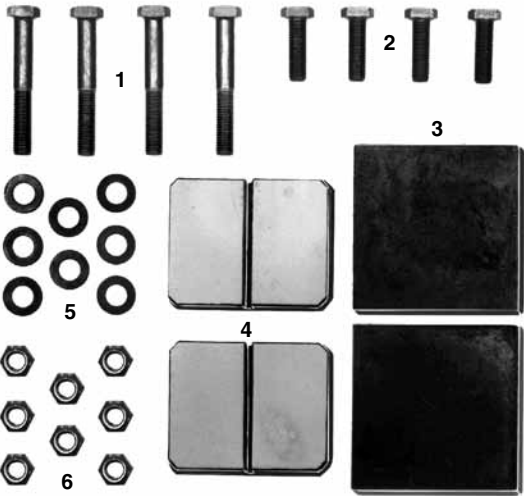

ITEM	QTY.	MERITOR NO.	REPLACES NEWAY	DESCRIPTION
1	4	R30U8479-124A	900 42 792	U-Bolt 1"-14 Thd. UNC x 12 1/2" Lg.
2	2	R302009	900 28 007	Axle Wrapper
3	2	R302010	900 28 016	Axle Pad
4	8	R302975	936 00 028	1" Flat Sq. Washer
5	8	R303003	934 00 502	1"-14 Thd.Lock Nut
6	8	R304353	939 00 027	1 5/8" Washer



MERITOR KIT R306898
Replaces Neway Kit SRK-68

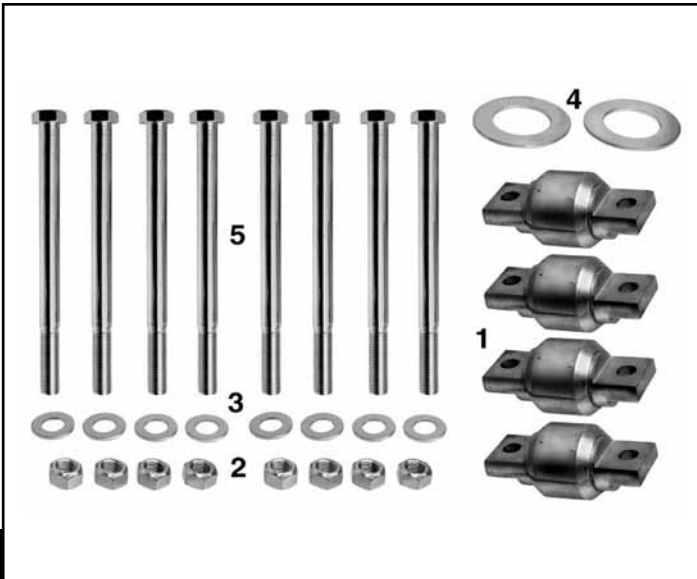
ITEM	QTY.	MERITOR NO.	REPLACES NEWAY	DESCRIPTION
1	4	R30U8578-094	900 41 997	U-Bolt 1"-14 Thd. x 9 1/2" Long
2	8	R304353	939 00 027	1 5/8" Washer
3	8	R303003	934 00 502	1"-14 Thd.Lock Nut
4	8	R302975	936 00 028	1" Flat Sq. Washer
5	2	R302944	900 28 005	Rubber Axle Wrapper
6	2	R302947A	900 28 075	Axle Pad

NEWAY AIR SUSPENSION AXLE CONNECTION KITS

		MERITOR KIT R302985A Replaces Neway Kit SRK-71		
		N.S.S. = Not Sold Separately		
ITEM	QTY.	MERITOR NO.	REPLACES NEWAY	DESCRIPTION
1	4	N.S.S.	939 00 178	Clipped Head Rod Bolt 7/8"-9 Thd. x 6"
2	4	R302981	932 00 754	Clipped Head Rod Bolt 7/8"-9 Thd. x 2 3/4"
3	2	R302009	900 28 007	Axle Wrapper
4	2	R302947A	900 28 075	Axle Pad
5	8	R302546	936 00 162	7/8" Washer
6	8	R302983	934 00 496	7/8"-9 Thd. Lock Nut
		MERITOR KIT R302984A Old Style Version of R302985A Replaces Neway Kit SRK-15		
		N.S.S. = Not Sold Separately		
ITEM	QTY.	MERITOR NO.	REPLACES NEWAY	DESCRIPTION
1	4	N.S.S.	939 00 178	Clipped Head Rod Bolt 7/8"-9 x 6"
2	4	R302981	932 00 754	Clipped Head Rod Bolt 7/8"-9 x 2 3/4"
3	2	R302009	900 28 007	Axle Wrapper
4	2	R302010	900 28 016	Axle Pad
5	2	R302546	936 00 162	7/8" Washer
6	2	R302983	934 00 496	7/8"-9 Thd. Lock Nut
		MERITOR KIT R309296 Replaces Neway Kit SRK-189		
		N.S.S. = Not Sold Separately		
ITEM	QTY.	MERITOR NO.	REPLACES NEWAY	DESCRIPTION
1	2	R309287	900 08 169	Axle Bushing
2	2	R309288	900 08 172	Axle Bushing
3	8	R302983	934 00 498	7/8"-9 Thd. Lock Nut
4	8	R302546	936 00 169	Washer
5	2	R302958	939 00 212	Wear Washer - Hardened
6	8	—	939 00 213	7/8" x 12 1/2" Bolt

NEWAY AIR SUSPENSION AXLE CONNECTION KITS

1



MERITOR KIT R309297
Replaces Neway Kit SRK-190

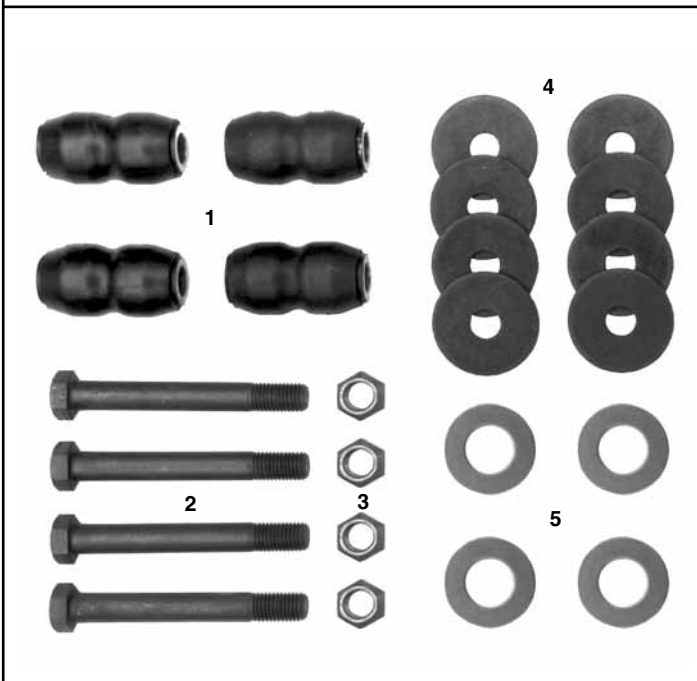
N.S.S. = Not Sold Separately

ITEM	QTY.	MERITOR NO.	REPLACES NEWAY	DESCRIPTION
1	4	R309288	900 08 172	Axle Bushing
2	8	R302983	934 00 498	7/8"-9 Thd. Lock Nut
3	8	R302546	936 00 169	7/8" Flat Washer
4	2	R302958	939 00 212	Wear Washer - Hardened
5	8	—	939 00 213	7/8"-9 Thd. x 12 1/2" Bolt



MERITOR KIT R304387
For Use with 5 3/4" Wide Hangers
Replaces Neway Kit SRK-80

ITEM	QTY.	MERITOR NO.	REPLACES NEWAY	DESCRIPTION
1	2	R304253	900 08 008	Center Beam Bushing
2	2	R302374	930 03 693 934 00 492 936 00 156 900 01 002	Beam End Adapter Assembly


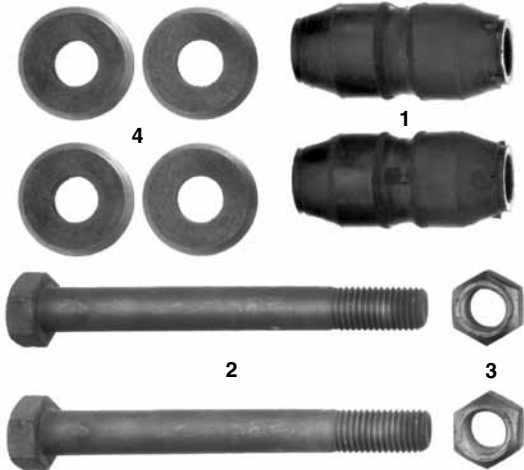



MERITOR KIT R304411A
Replaces Neway Kit SRK-149

Service two beams. N.S.S. = Not Sold Separately

ITEM	QTY.	MERITOR NO.	REPLACES NEWAY	DESCRIPTION
1	4	R304410A	900 08 149	Center Beam Bushing
2	4	R304361	932 01 045	1 1/8"-7 Thd. x 8 1/2" Bolt
3	4	R304358	934 00 506	1 1/8"-7 Thd. Lock Nut
4	8	R304363	900 36 140	Washer
5	4	N.S.S.	900 36 175	Service Wear Washer

NEWAY AIR SUSPENSION PIVOT CONNECTION KITS

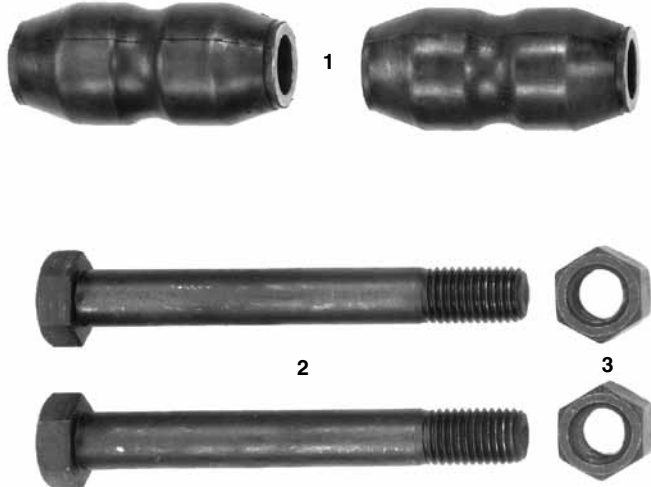
	<p style="text-align: center;">MERITOR KIT R304398A Replaces Neway Kit SRK-145</p> <p>NOTE: To change from 1 1/4" Bolt to 1 1/8" use Alignment Blocks R309284 and R304267.</p> <table border="1"> <thead> <tr> <th>ITEM</th> <th>QTY.</th> <th>MERITOR NO.</th> <th>REPLACES NEWAY</th> <th>DESCRIPTION</th> </tr> </thead> <tbody> <tr> <td>1</td> <td>4</td> <td>R304363</td> <td>900 36 140</td> <td>Spacer Washer</td> </tr> <tr> <td>2</td> <td>2</td> <td>R304382A</td> <td>900 08 139</td> <td>Beam End Bushing</td> </tr> <tr> <td>3</td> <td>2</td> <td>R304364</td> <td>932 01 046</td> <td>Beam End Bolt 1 1/8"-7 Thd. x 9 1/4" Lg.</td> </tr> <tr> <td>4</td> <td>2</td> <td>R304358</td> <td>934 00 506</td> <td>1 1/8"-7 Lock Nut</td> </tr> </tbody> </table>	ITEM	QTY.	MERITOR NO.	REPLACES NEWAY	DESCRIPTION	1	4	R304363	900 36 140	Spacer Washer	2	2	R304382A	900 08 139	Beam End Bushing	3	2	R304364	932 01 046	Beam End Bolt 1 1/8"-7 Thd. x 9 1/4" Lg.	4	2	R304358	934 00 506	1 1/8"-7 Lock Nut
ITEM	QTY.	MERITOR NO.	REPLACES NEWAY	DESCRIPTION																						
1	4	R304363	900 36 140	Spacer Washer																						
2	2	R304382A	900 08 139	Beam End Bushing																						
3	2	R304364	932 01 046	Beam End Bolt 1 1/8"-7 Thd. x 9 1/4" Lg.																						
4	2	R304358	934 00 506	1 1/8"-7 Lock Nut																						
	<p style="text-align: center;">MERITOR KIT R304429 Replaces Neway Kit SRK-139A</p> <table border="1"> <thead> <tr> <th>ITEM</th> <th>QTY.</th> <th>MERITOR NO.</th> <th>REPLACES NEWAY</th> <th>DESCRIPTION</th> </tr> </thead> <tbody> <tr> <td>1</td> <td>2</td> <td>R304255</td> <td>900 08 131</td> <td>Beam End Bushing</td> </tr> <tr> <td>2</td> <td>2</td> <td>R304364</td> <td>932 01 046</td> <td>1 1/8"-7 Thd.x 9 1/4" Bolt</td> </tr> <tr> <td>3</td> <td>2</td> <td>R304358</td> <td>934 005 06</td> <td>1 1/8"-7 Thd. Lock Nut</td> </tr> <tr> <td>4</td> <td>4</td> <td>R304359</td> <td>936 00 495</td> <td>Spacer Washer</td> </tr> </tbody> </table>	ITEM	QTY.	MERITOR NO.	REPLACES NEWAY	DESCRIPTION	1	2	R304255	900 08 131	Beam End Bushing	2	2	R304364	932 01 046	1 1/8"-7 Thd.x 9 1/4" Bolt	3	2	R304358	934 005 06	1 1/8"-7 Thd. Lock Nut	4	4	R304359	936 00 495	Spacer Washer
ITEM	QTY.	MERITOR NO.	REPLACES NEWAY	DESCRIPTION																						
1	2	R304255	900 08 131	Beam End Bushing																						
2	2	R304364	932 01 046	1 1/8"-7 Thd.x 9 1/4" Bolt																						
3	2	R304358	934 005 06	1 1/8"-7 Thd. Lock Nut																						
4	4	R304359	936 00 495	Spacer Washer																						
	<p style="text-align: center;">MERITOR KIT R309294 Replaces Neway Kit SRK-203</p> <table border="1"> <thead> <tr> <th>ITEM</th> <th>QTY.</th> <th>MERITOR NO.</th> <th>REPLACES NEWAY</th> <th>DESCRIPTION</th> </tr> </thead> <tbody> <tr> <td>1</td> <td>2</td> <td>R304410A</td> <td>900 08 148</td> <td>Center Beam Bushing</td> </tr> <tr> <td>2</td> <td>2</td> <td>R304361</td> <td>932 01 045</td> <td>1 1/8"-7 x 9" Bolt</td> </tr> <tr> <td>3</td> <td>2</td> <td>R304358</td> <td>934 00 506</td> <td>1 1/8"-7 Lock Nut</td> </tr> <tr> <td>4</td> <td>4</td> <td>R304363</td> <td>900 36 140</td> <td>Washer</td> </tr> </tbody> </table>	ITEM	QTY.	MERITOR NO.	REPLACES NEWAY	DESCRIPTION	1	2	R304410A	900 08 148	Center Beam Bushing	2	2	R304361	932 01 045	1 1/8"-7 x 9" Bolt	3	2	R304358	934 00 506	1 1/8"-7 Lock Nut	4	4	R304363	900 36 140	Washer
ITEM	QTY.	MERITOR NO.	REPLACES NEWAY	DESCRIPTION																						
1	2	R304410A	900 08 148	Center Beam Bushing																						
2	2	R304361	932 01 045	1 1/8"-7 x 9" Bolt																						
3	2	R304358	934 00 506	1 1/8"-7 Lock Nut																						
4	4	R304363	900 36 140	Washer																						

NEWAY AIR SUSPENSION PIVOT CONNECTION KITS



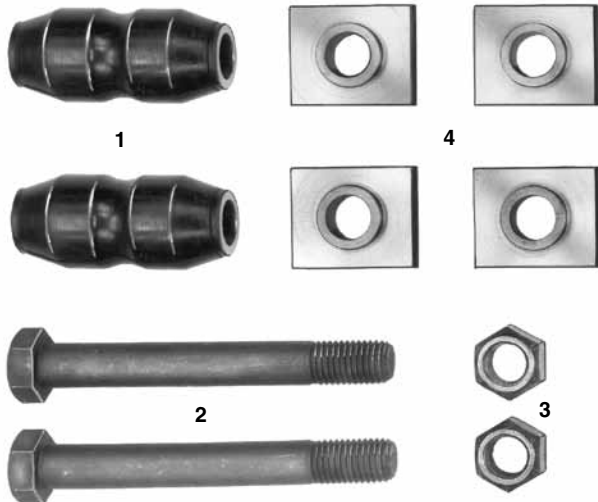
MERITOR KIT R309295
Replaces Neway Kit SRK-188-1

ITEM	QTY.	MERITOR NO.	REPLACES NEWAY	DESCRIPTION
1	2	Parts Not Sold Separately	900 08 165	Center Beam Bushing
2	2		930 03 905	7/8"-9 x 7 1/2" Bolt
3	2		934 00 498	7/8"-9 Lock Nut
4	4		900 08 166	Alignment Block



MERITOR KIT R304396
Replaces Neway Kit SRK-48A

ITEM	QTY.	MERITOR NO.	REPLACES NEWAY	DESCRIPTION
1	2	R304255	900 08 131	Beam End Bushing
2	2	R304361	932 01 045	Beam End Bolt 1 1/8"-7 x 8 1/16" Lg.
3	2	R304358	934 00 506	1 1/8"-7 Lock Nut



MERITOR KIT R304402
Same as R304396 Except Contains Alignment Blocks
Replaces Neway Kit SRK-48

ITEM	QTY.	MERITOR NO.	REPLACES NEWAY	DESCRIPTION
1	2	R304255	900 08 131	Beam End Bushing
2	2	R304361	932 01 045	Beam End Bolt 1 1/8"-7 Thd. x 8 1/16" Lg.
3	2	R304358	934 00 506	1 1/8"-7 Thd. Lock Nut
4	4	R304263	900 01 045	Alignment Block

NEWAY AIR SUSPENSION PIVOT CONNECTION KITS



MERITOR KIT R304396
Replaces Neway Kit SRK-48A

S.O.S. = Available through Meritor's S.O.S. Department

ITEM	QTY.	MERITOR NO.	REPLACES NEWAY	DESCRIPTION
1	2	R302940	900 08 002	Beam End Bushing
2	2	R304361	932 01 045	Beam End Bolt 1 1/8"-7 Thd. x 8 1/2" Lg.
3	2	S.O.S.	900 38 083	Delrin Liner
4	2	R304358	934 00 506	1 1/8"-7 Thd. Lock Nut



MERITOR KIT R302992A

Replaces Neway Kit SRK-11-A
(To replace SRK-11, add R304405 Torsion Bar)

N.S.S. = Not Sold Separately

ITEM	QTY.	MERITOR NO.	REPLACES NEWAY	DESCRIPTION
1	4	R302959	936 00 035	Spacer Washer
2	2	R302998	905 08 001	Beam End Bushing
3	4	N.S.S.	930 03 389	Beam End Bolt 5/8"x 11 x 3 3/4" Lg.
4	4	R302547	939 00 025	Washer
5	4	R302988	934 00 490	5/8"-11 Lock Nut
6	4	R302989	930 03 633	Beam End Bolt 3/4"-10 Thd. x 5" Lg.
7	4	R302545	936 00 156	3/4" Washer
8	4	R304347	934 00 492 934 00 494	3/4"-10 Thd. Lock Nut



MERITOR KIT R304397
Replaces Neway Kit SRK-76

N.S.S. = Not Sold Separately

ITEM	QTY.	MERITOR NO.	REPLACES NEWAY	DESCRIPTION
1	2	R302940	900 08 002	Beam End Bushing
2	2	N.S.S.	932 00 132	Beam End Bolt 1 1/4"-12 Thd. x 9 11/16"
3	2	R302854	934 00 511	1 1/4"-12 Lock Nut
4	4	R304277	900 36 001	Spacer Washer

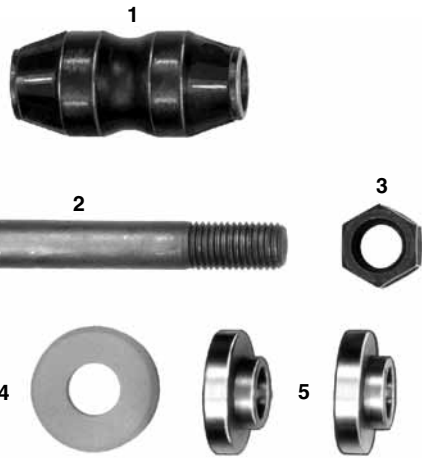
NEWAY AIR SUSPENSION PIVOT CONNECTION KITS



MERITOR KIT R304392
Replaces Neway Kit SRK-105

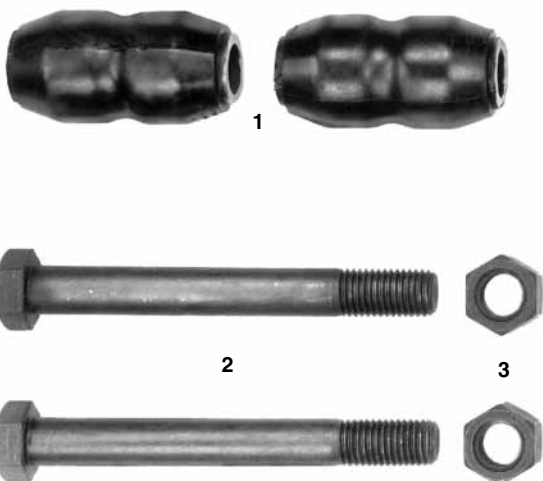
N.S.S. = Not Sold Separately

ITEM	QTY.	MERITOR NO.	REPLACES NEWAY	DESCRIPTION
1	2	R302940	900 08 002	Beam End Bushing
2	2	N.S.S.	932 01 030	Beam End Bolt 1 1/4"-12 Thd. x 10" Long
3	2	R302854	934 00 511	1 1/4"-12 Thd. Lock Nut
4	4	R304277	900 36 001	Spacer Washer



MERITOR KIT R304393
Replaces Neway Kit SRK-120
or 1/2 of Neway Kit SRK-139

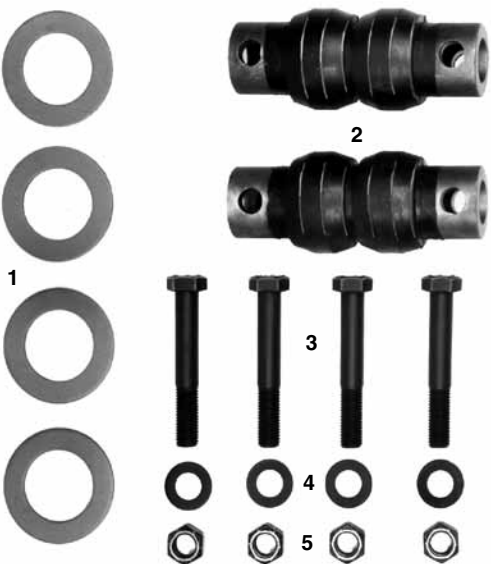
ITEM	QTY.	MERITOR NO.	REPLACES NEWAY	DESCRIPTION
1	1	R304255	900 08 131	Beam End Bushing
2	1	R304364	932 01 046	Beam End Bolt 1 1/8"-7 Thd. x 9 1/4" Long
3	1	R304358	934 00 506	1 1/8"-7 Thd. Lock Nut
4	2	R304359	936 00 495	Spacer Washer
5	2	R304267	900 08 120	Alignment Block



MERITOR KIT R304394
Replaces Neway Kit SRK-148


ITEM	QTY.	MERITOR NO.	REPLACES NEWAY	DESCRIPTION
1	2	R304256	900 08 145	Beam End Bushing
2	2	R304364	932 01 046	Beam End Bolt 1 1/8"-7 Thd. x 9 1/4" Long
3	2	R304358	934 00 506 939 00 165	1 1/8" -7 Thd. Lock Nut

NEWAY AIR SUSPENSION PIVOT CONNECTION KITS



MERITOR KIT R302997
Replaces Neway Kit SRK-13

ITEM	QTY.	MERITOR NO.	REPLACES NEWAY	DESCRIPTION
1	4	R302958	900 36 003	Spacer Washer
2	2	R302936	900 08 005	Beam End Bushing
3	4	R302996	930 03 855	Beam End Bolt 7/8"-9 Thd. x 5 1/2" Long
4	4	R302546	936 00 162	7/8" Washer
5	4	R302983	934 00 496	7/8"-9 Thd. Lock Nut



MERITOR KIT R309300A
Replaces Neway Kit SRK-200

N.S.S. = Not Sold Separately

ITEM	QTY.	MERITOR NO.	REPLACES NEWAY	DESCRIPTION
1	4	NSS	936 00 502	Spacer Washer
2	2	R309292	900 08 151	Beam End Bushing
3	2	R304364	932 01 046	Beam End Bolt 1 1/8"-7 Thd. x 9 1/4" Lg.
4	2	R304358	934 00 506	1 1/8"-7 Thd. Lock Nut



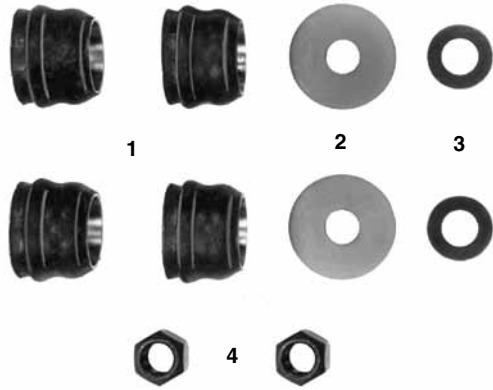
If you detect any **errors** in this Catalog, please let us know.

We want the information to be as accurate as possible; we appreciate your help in making it so.

Please e-mail any comments/suggestions/corrections to us at: catalogfeedback@arvinmeritor.com

or mail to: **ArvinMeritor, Inc.**
Attn: Catalog Dept.
7975 Dixie Highway
Florence, KY 41042-2754

TRANSVERSE BEAM BUSHING CONNECTION KITS



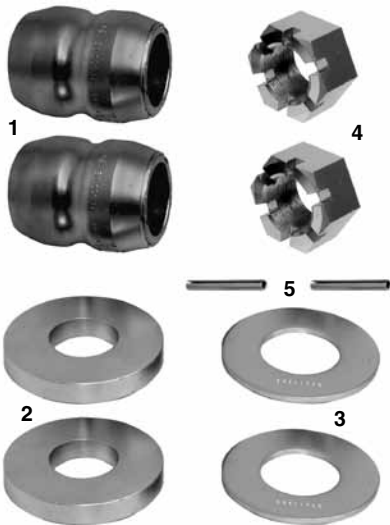
MERITOR KIT R304401A

Replaces Neway Kit SRK-77-1

N.S.S. = Not Sold Separately

ITEM	QTY.	MERITOR NO.	REPLACES NEWAY	DESCRIPTION
1	4	R304257	900 08 113	Beam End Bushing
2	2	R304278	900 36 007	Spacer Washer
3	2	N.S.S.	936 00 180	1 1/4" Washer
4	2	R302854	934 00 511	1 1/4"-12 Thd. Lock Nut

1

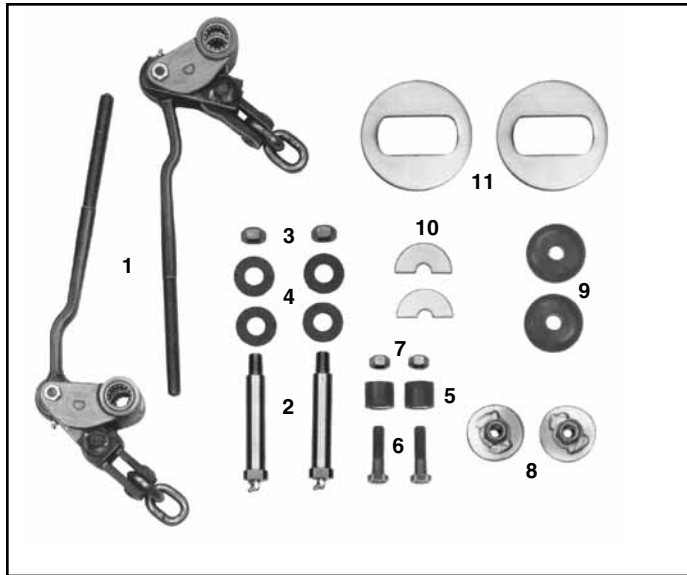


MERITOR KIT R309301

Replaces Neway Kit SRK-201

ITEM	QTY.	MERITOR NO.	REPLACES NEWAY	DESCRIPTION
1	2	Parts Not Sold Separately	900 08 135	Beam End Bushing
2	2		900 36 118	Spacer Washer
3	2		936 00 498	Washer
4	2		934 00 603	1 1/4"-12 Thd. Lock Nut
5	2		938 00 235	Roll Pin

NEWAY COIL SPRING LIFT KITS



MERITOR KIT R304399 New Style Lift Kit with 1" Lower Cam Pin (Item #2) Replaces Newway Kit SRK-96				
ITEM	QTY.	MERITOR NO.	REPLACES NEWAY	DESCRIPTION
1	2	Parts Not Sold Separately	905 44 670	Cam Assembly
2	2		905 44 661	Lower Cam Pin
3	2		934 00 494	3/4"-10 Thd. Lock Nut
4	4		900 44 574	Lower Cam Brg. Spacer Seal
5	2		900 44 576	Lower Cam Brg. Inner Seal
6	2		930 03 359	Cap Screw 5/8"-11 Thd. x 2 1/2" Lg.
7	2		934 004 90	5/8"-11 Thd. Lock Nut
8	2		939 00 151	Adjustment Lock Nut
9	2		900 44 218	Yoke Grommet
10	2		900 44 572	Half Washer
11	2		900 31 785	End Plate



MERITOR KIT R304400 Old Style Lift Kit with 1/2" Lower Cam Bolt (Item #11) Replaces Newway Kit SRK-103				
ITEM	QTY.	MERITOR NO.	REPLACES NEWAY	DESCRIPTION
1	2	Parts Not Sold Separately	905 44 498	Cam Assembly
2	2		900 44 586	Inner Sleeve
3	4		936 00 168	Washer Cam Brg. Spring Seal
4	2		900 44 576	Lower Cam Brg. Inner Seal
5	2		939 00 151	Adjustment Lock Nut
6	2		930 03 359	Cap Screw 5/8"-11 Thd. x 2 1/2" Lg.
7	2		934 00 490	5/8"-11 Lock Nut
8	2		900 31 785	End Plate
9	2		900 44 218	Yoke Grommet
10	2		900 44 572	Half Washer
11	2		930 03 017	Lower Cam Bolt 1/2"-13 Thd. x 6" Lg.
12	2		936 00 138	1/2" Washer
13	2		934 00 482	1/2"-13 Thd. Lock Nut



MERITOR KIT R3010799 For AR-955A, ART-505C Replaces Newway Kit SRK-158				
ITEM	QTY.	MERITOR NO.	REPLACES NEWAY	DESCRIPTION
1	2	Parts Not Sold Separately	900 36 161	Spacer Washer
2	2		900 44 218	Yoke Grommet
3	4		900 44 574	Lower Cam Bearing Spacer Seal
4	2		900 44 576	Lower Cam Bearing Inner Seal
5	2		900 44 776	Yoke Grommet
6	2		905 44 661	Lower Cam Pin
7	2		905 44 670	Cam Assembly
8	2		934 00 494	Lock Nut
9	2		936 00 508	Washer
10	2		939 00 195	Lock Nut

NEWAY ARDAB AIR BEAM BUSHINGS

**REAR BEAM BUSHING
STRAIGHT**



MERITOR NO.	REPLACES NEWAY	FOR MODEL	O.D.	LENGTH
R309287	900 08 169	ARDAB	3 3/4"	7 7/8"

HANGER PIVOT BUSHING



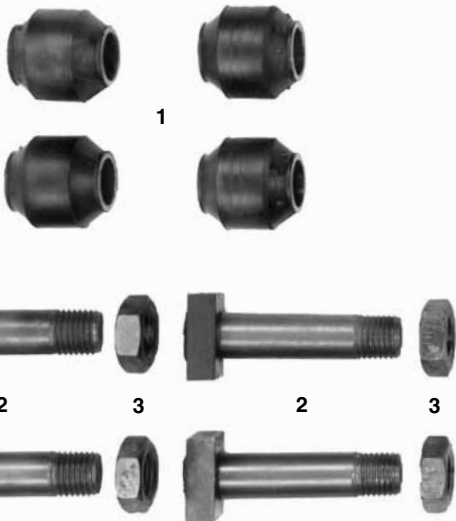
MERITOR NO.	REPLACES NEWAY	FOR MODEL	O.D.	I.D.	LENGTH
R309286	900 08 165	ARDAB	3 1/2"	15/16"	4 1/4"

**FRONT BEAM BUSHING
OFFSET**



MERITOR NO.	REPLACES NEWAY	FOR MODEL	O.D.	LENGTH
R309288	900 08 172	ARDAB	3 3/4"	7 7/8"

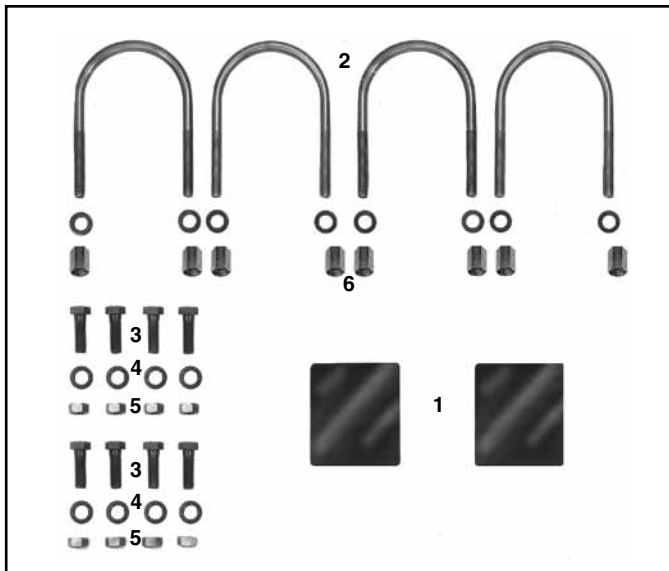
NEWAY MECHANICAL SUSPENSION REPAIR KITS



MERITOR KIT R304391
Torque Arm Kit for RTS, T, TR Models
Replaces Neway Kit SRK-39

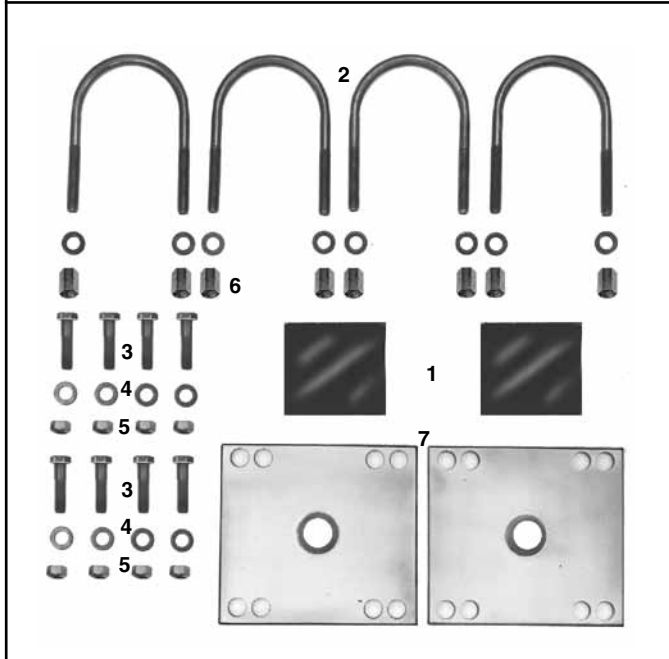
ITEM	QTY.	MERITOR NO.	REPLACES NEWAY	DESCRIPTION
1	4	R302939	910 08 007	Torque Arm Bushing
2	4	R304261	939 00 009	Torque Arm Bolt 1 1/4"-7 Thd.
3	4	R304273	934 00 569	1 1/4"-7 Thd. Lock Nut

NEWAY MECHANICAL SUSPENSION REPAIR KITS



MERITOR KIT R304383
Axle Connection Kit For TS Models
 Replaces Neway Kit SRK-23

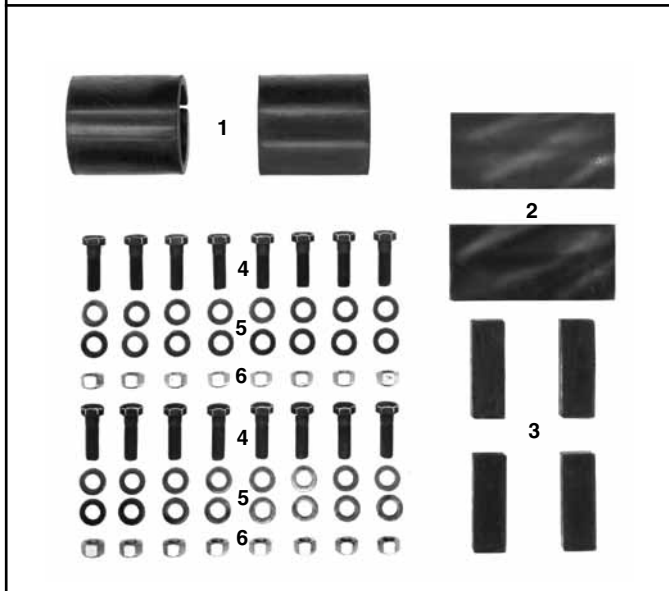
ITEM	QTY.	MERITOR NO.	REPLACES NEWAY	DESCRIPTION
1	2	R301329A	910 28 013	Rubber End Pad
2	4	R30U8145-076	900 41 067	U-Bolt Assembly 5/8"-18 Thd. x 7 3/4" Lg.
3	8	R304348	930 03 345	Bolt 5/8"-11 Thd. x 2" Long
4	16	R302547	939 00 025	Washer
5	8	R302988	934 00 490	5/8"-11 Thd. Lock Nut
6	8	R303000	—	Hi-Nut 5/8"-18 Thd.



MERITOR KIT R304384
Axle Connection Kit With End Pad Castings For TS Models
 Replaces Neway Kit SRK-25

N.S.S. = Not Sold Separately

ITEM	QTY.	MERITOR NO.	REPLACES NEWAY	DESCRIPTION
1	2	R301329A	910 28 013	Rubber End Pad
2	4	R30U8145-076	900 41 067	U-Bolt Assembly 5/8"-18 Thd. x 7 3/4" Lg.
3	8	N.S.S.	930 03 359	Cap Screw 5/8"-11 Thd. x 2 1/2" Lg.
4	16	R302547	939 00 025	Washer
5	8	R302988	934 00 490	5/8"-11 Thd. Lock Nut
6	8	R303000	—	Hi-Nut 5/8"-18 Thd.
7	2	R302965	910 01 049	Spring End Repair Pad



MERITOR KIT R304385
Axle and Trunnion Connection Kit
For RTS-536, 544, 754-HD Models
 Replaces Neway Kit SRK-36

N.S.S. = Not Sold Separately

ITEM	QTY.	MERITOR NO.	REPLACES NEWAY	DESCRIPTION
1	2	R301333	910 08 014	Trunnion Bushing
2	2	R302011	910 28 010	Rubber Axle Wrapper
3	4	R301331	910 28 023	Pad
4	16	N.S.S.	930 03 575	Cap Screw 3/4" I.D., 2 1/2" Long
5	32	R302545	936 00 156	3/4" Washer
6	16	R304347	934 00 494	3/4"-10 Thd. Lock Nut

NEWAY AXLE CAPS

AXLE CAP WITHOUT AXLE STOPS
Left Hand



AXLE CAP WITHOUT AXLE STOPS
Right Hand



MERITOR NO.	REPLACES NEWAY	FOR MODEL
R304284	905 10 100	ART-500-US, ART-500-US-A

MERITOR NO.	REPLACES NEWAY	FOR MODEL
R304285	905 10 101	ART-500-US, ART-500-US-A

AXLE CAP 5" SQUARE
Right Hand



AXLE CAP



MERITOR NO.	REPLACES NEWAY	FOR MODEL
R304287	905 10 103	ART-500-US, ART-500-US-A

MERITOR NO.	REPLACES NEWAY	FOR MODEL
R304282	900 10 032	AR-120-US, 125-US, 165-US, 50-US, 51-US, AR-70, 95

AXLE CAP



AXLE CAP



MERITOR NO.	REPLACES NEWAY	FOR MODEL
R304283	900 10 022	AR-70, AR-95, AR-120-US, 125-US, 165-US, 50-US, 51-US, AR-70, 95

MERITOR NO.	REPLACES NEWAY	FOR MODEL
R304281	900 10 002	AR-70, AR-95

AXLE CAP



AXLE ADAPTER



MERITOR NO.	REPLACES NEWAY	FOR MODEL
R304288	910 10 031	TA-800, RTS-536, 544, 754, 945

MERITOR NO.	REPLACES NEWAY	FOR MODEL	APPLICATION
R304289	900 01 082	All AR (except ARL) All ART	5" Rd. Axle

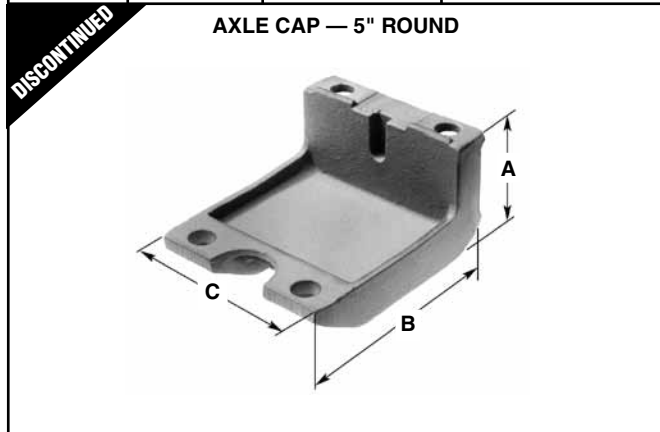
NEWAY AXLE CAPS AND AXLE ADAPTERS



MERITOR NO.	REPLACES NEWAY	FOR MODEL	APPLICATION
R304290	900 01 083	All AR (except ARL) All ART	5" Square Axle



MERITOR NO.	REPLACES NEWAY	FOR MODEL	APPLICATION
R304291	910 01 040	TA, RTS	5" Rd. Axle



MERITOR NO.	REPLACES NEWAY	FOR MODEL	A	B	C
N/A	900 10 001	AR-120, AR-125	5 1/16"	9 3/4"	8"

If you detect any **errors** in this Catalog, please let us know.

We want the information to be as accurate as possible; we appreciate your help in making it so.

Write or call:

Catalog Corrections
ArvinMeritor, Inc.
7975 Dixie Highway
Florence, KY 41042-2754
catalogfeedback@arvinmeritor.com

NEWAY AXLE SEATS & U-BOLT TOP PLATES

AXLE SEAT



AXLE SEAT



MERITOR NO.	REPLACES NEWAY	FOR MODEL	A
R304292	900 01 006	ART-120-US, 125-US, 50-US, 51-US, AR-70, 95	3 1/2"
R304293	900 01 119 Heavy Duty	All ART (Except 505-B)	3 5/8"

MERITOR NO.	REPLACES NEWAY	FOR MODEL
R304294	910 01 034	All RTS (Except 754)

U-BOLT TOP PLATE



U-BOLT TOP PLATE



MERITOR NO.	REPLACES NEWAY	FOR MODEL
R304299	910 10 103	All RTS

MERITOR NO.	REPLACES NEWAY	FOR MODEL
R304298	910 10 021	TS, US, USR

U-BOLT TOP PLATE






MERITOR NO.	REPLACES NEWAY	FOR MODEL
R304300	910 10 108	SL-718, TL-636, 644

1

NEWAY AXLE ATTACHING PARTS

UPPER TRUNNION CAP		
		
MERITOR NO.	REPLACES NEWAY	FOR MODEL
R304301	910 01 051	TS, US, USR, LD (Except TS-660, 680, 6100)
LOWER TRUNNION CAP		
		
MERITOR NO.	REPLACES NEWAY	FOR MODEL
R304302	910 10 047	TS, US, USR, LD (Except TS-660, 680, 6100)
TRUNNION CAP		
		
MERITOR NO.	REPLACES NEWAY	FOR MODEL
R304303	910 10 098	RTS-536, 544,754
SPRING END BOOT		
		
MERITOR NO.	REPLACES NEWAY	FOR MODEL
R304307	910 08 032	All SL and TL

SPRING END PAD			
			
MERITOR NO.	REPLACES NEWAY	FOR MODEL	
R304305	910 01 044	TS & LD	
SPRING END REPAIR PAD			
			
Cut off worn knob and grind smooth. Install pad. Weld ends to seat when assembled.			
MERITOR NO.	REPLACES NEWAY	FOR MODEL	APPLICATION
R302965	910 01 049	TS & LD 4360, 4440, 5500, 5600	Use to avoid replacing entire axle seat when knob is worn
SPRING END RETAINER			
			
MERITOR NO.	REPLACES NEWAY	FOR MODEL	
R304306	910 01 062	All SL and TL	

1

NEWAY AXLE ATTACHING PARTS

PLASTIC SHIM



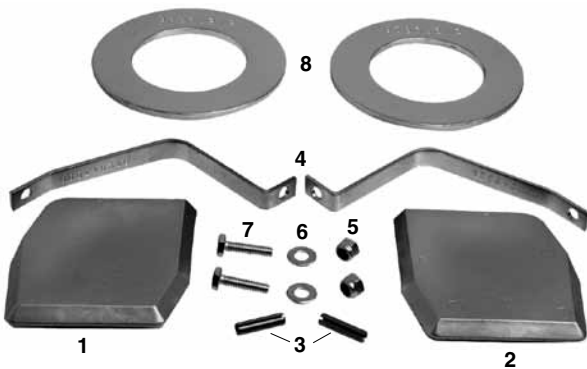
MERITOR NO.	REPLACES NEWAY	FOR MODEL	LENGTH	WIDTH	THICKNESS
R309290	900 44 887	ARDAB Air Beam	4 1/4"	1 1/4"	19/64"

STEEL SHIM



MERITOR NO.	REPLACES NEWAY	FOR MODEL	LENGTH	WIDTH	THICKNESS
R309291	900 33 376	ARDAB Air Beam	4 1/4"	1 1/4"	1/16"

1



**MERITOR KIT R309299
BEAM WEAR KIT**

Replaces Neway Kit SRK-192

ITEM	QTY.	MERITOR NO.	REPLACES NEWAY	DESCRIPTION
1	1	Parts Not Sold Separately	900 44 883	Wear Pad, Left Hand
2	1		900 44 884	Wear Pad, Right Hand
3	2		939 00 214	Spring Pin
4	2		900 24 932	Retainer
5	2		934 00 060	1/4"-20 Lock Nut
6	2		936 00 112	1/4" Washer
7	2		930 02 353	1/4"-20 x 1" Bolt
8	2		939 00 212	Wear Washer

NEWAY END CAPS

SPRING END CAP



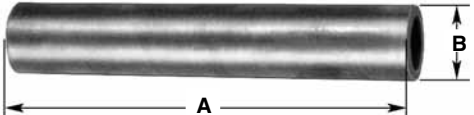

MERITOR NO.	REPLACES NEWAY	FOR MODEL	A
R304308	910 10 038	TS - 3 Main Leaf Spring	3 7/8"
R304309	910 10 043	TS - 2 Main Leaf Spring	2 13/16"

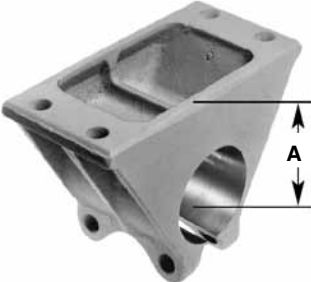
SPRING END CAP




MERITOR NO.	REPLACES NEWAY	FOR MODEL
R304310	910 10 054	All SL and TL

NEWAY END CAPS, TRUNNION SHAFTS & ADAPTERS

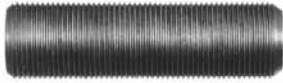
TRUNNION SHAFT Hollow Shaft with 1/2" Thick Wall					
					
MERITOR NO.	REPLACES NEWAY	FOR MODEL			
R302964	910 38 003	TS A = 48" Length & B = 4" O.D.			
BEAM ADAPTER					
					
MERITOR NO.	REPLACES NEWAY	FOR MODEL	O.D.	I.D.	THICKNESS
R304315	900 01 065	ARD-165 ARD-190	4 1/4"	3"	5/16"

TRUNNION CLAMP CASTING			
			
MERITOR NO.	REPLACES NEWAY	FOR MODEL	A
R304312	910 01 055	TS, US, USR, ARD (Except TS-660, 680, 6100)	4 1/2"
R305213	910 01 054	TS-427-A, 432, 436, 442, 536, 542 Series	2 1/2"
R305214	910 01 056		6 1/2"
R305215	910 01 058		8 1/2"

BEAM END ADAPTER ASSEMBLY			
			
MERITOR NO.	REPLACES NEWAY	FOR MODEL	APPLICATION
R302372	930 03 681	All ARD Series	For 5 1/4" Wide Beam Hangers
	934 00 492		
	936 00 156		
	900 01 002		
R302374	930 03 693		For 5 3/4" Wide Beam Hangers
	934 00 492		
	936 00 156		
	900 01 002		

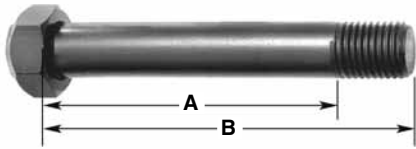
NEWAY AIR RIDE — ATTACHING PARTS

BEAM END STUD



MERITOR NO.	REPLACES NEWAY	FOR MODEL	THD.	LENGTH
R304258	900 06 380	ARD-125, 244	1 1/4" -12	4 1/2"

BEAM END BOLT



MERITOR NO.	REPLACES NEWAY	FOR MODEL	THD.	A	B
R304364	932 01 046	AR-70, AR-95 ART-500-B ART-551-B	1 1/8"-7	6 7/8"	9 1/4"
R304361	932 01 045	AR-41, AR-50-US AR-51-US TR-8750 TR-8900	1 1/8"-7	6 1/2"	8 1/2"
R302951	932 00 959	ARL, ART-500-US	1 1/4"-7	6 5/8"	8 1/8"

ALIGNMENT BLOCK



A = Thickness

MERITOR NO.	REPLACES NEWAY	FOR MODEL	O.D.	I.D.	A
R304265	900 08 092	AR-70 AR-95 (inner)	2 3/4"	1 1/8"	7/8"
R304266	900 08 110	AR-125,244 (Pre-1981)	2 1/2"	1 1/4"	3/4"
R304267	900 08 120	ARD-125, 244 (1981 & later)	2 3/4"	1 1/8"	1"
R309284	900 08 147	AR-80, AR-92, AR-93, RL-196	3 1/4"	1 1/8"	7/8"

TORQUE ARM BOLT



MERITOR NO.	REPLACES NEWAY	FOR MODEL	THREAD	LENGTH
R304261	939 00 009	All RTS, TR-8540, 8600	1 1/4"-7	4 3/4"

DELTRIN LINER



N/A = No Longer Available

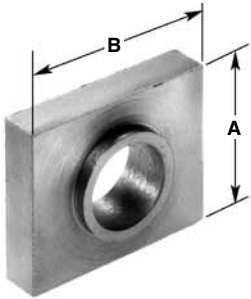

MERITOR NO.	REPLACES NEWAY	FOR MODEL	O.D.	I.D.	LGTH.
N/A	900 38 083	AR-50-US AR-51-US ARD (except ARD-165)	1 1/4"	1 1/8"	5"


ALIGNMENT BLOCK



MERITOR NO.	REPLACES NEWAY	FOR MODEL	I.D.	THICKNESS without bump outs
R304268	900 08 091	AR-70, AR-95 (outer)	1 1/8"	7/8"

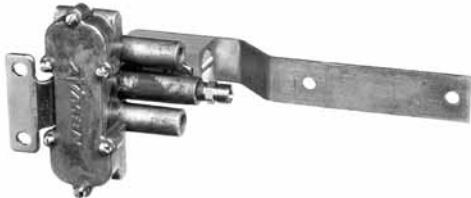
NEWAY AIR RIDE — ATTACHING PARTS


ALIGNMENT BLOCK						
						
MERITOR NO.	REPLACES NEWAY	FOR MODEL	I.D.	THICKNESS	A	B
R304262	900 01 001	ARL	1 1/4"	7/8"	2 1/2"	3"
R304263	900 01 045	AR-50-US, 51-US, ART-500-B 551-B	1 1/8"	7/8"	2 1/2"	3"
JAM NUT						
						
MERITOR NO.	REPLACES NEWAY	FOR MODEL	I.D.	HEX	THICKNESS	
R304274	934 00 036	RTS Torque Arm LH Thread	1 1/4"-7 LH	1 7/8"	23/32"	
R304275	934 00 284	RTS Torque Arm RH Thread	1 1/4"-7 RH	1 7/8"	23/32"	

SQUARE WASHER					
					
MERITOR NO.	REPLACES NEWAY	FOR MODEL	I.D.	SQ.	THICKNESS
R302960	936 00 028	ART, AR-US	1"	2"	3/8"

1

NEWAY VALVES AND LINKS

NEWAY HEIGHT CONTROL VALVE		
		
MERITOR NO.	REPLACES NEWAY	FOR MODEL
R304323	900 54 007	Used on All Models

HAND VALVE		
		
1/4" Ports		
MERITOR NO.	REPLACES NEWAY	FOR MODEL
R304329	900 54 082	Used on All Models

NEWAY VALVES AND LINKS

NEWAY "IMMEDIATE RESPONSE" (IR)



Includes Linkage Kit R309838

MERITOR NO.	REPLACES	APPLICATION & GENERAL INFORMATION
R3013922	Neway 905 55 105 905 54 241 SRK-205 Midland KN270000	Can be mounted vertically or horizontally. Diecast zinc plated metal body. Fits Late Model Freightliner, Navistar and other air suspensions. Linkage kit included with valve.

ELECTRIC VALVE (Normally Open)



MERITOR NO.	REPLACES NEWAY	FOR MODEL
R304331	900 54 075	Used on All Models

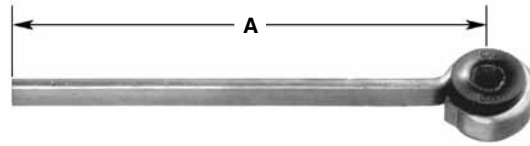
PRESSURE PROTECTION VALVE



Includes Internal Filter

MERITOR NO.	REPLACES NEWAY	FOR MODEL
R304324	900 54 001 905 54 107	Used on All Models

LINK HALF



MERITOR NO.	REPLACES NEWAY	FOR MODEL	A	I.D.
R304333	900 54 188	Used on All Models	8"	1/4"
R304334	900 54 460	Used on All Models	14"	1/4"

LEVELING VALVE LINK ASSEMBLY



MERITOR NO.	REPLACES	GENERAL INFORMATION
R307852	Neway SRK-168 Peterbilt 03-06224	Use for applications requiring vertical mounting only.

ELECTRIC VALVE (Normally Closed)



MERITOR NO.	REPLACES NEWAY	FOR MODEL
R304325	900 54 074	Used on All Models

QUICK RELEASE VALVE



MERITOR NO.	REPLACES NEWAY	FOR MODEL
R304330A	900 54 096	Used on All Models

NEWAY VALVES

PILOT VALVE



MERITOR NO.	REPLACES NEWAY	FOR MODEL
R304328	900 54 079	Used on All Models

MANUAL VALVE



MERITOR NO.	REPLACES NEWAY	FOR MODEL
R304326	900 54 088	Used on All Models

PRESSURE REGULATOR VALVE



MERITOR NO.	REPLACES NEWAY	FOR MODEL
R304327	900 54 077	Used on All Models

AIR GAUGE



MERITOR NO.	REPLACES NEWAY	FOR MODEL
R304332	900 54 280	Used on All Models

NEWAY AIR SPRING MOUNTING PLATE, SHOCK BUSHINGS AND DOWN STRAP

AIR SPRING PLATE



MERITOR NO.	REPLACES NEWAY	FOR MODEL
R304321	900 31 027	AR-120, 125 120-US 125-US ART-500-US 500-US-A

RUBBER DOWN STRAP



MERITOR NO.	REPLACES NEWAY	FOR MODEL
R309289	900 44 882	ARDAB Air Beam

NEWAY SHOCK MOUNTING BRACKETS & HARDWARE

LOWER SHOCK MOUNTING BRACKET



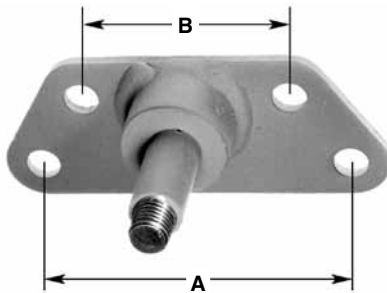
UPPER SHOCK MOUNTING BRACKET



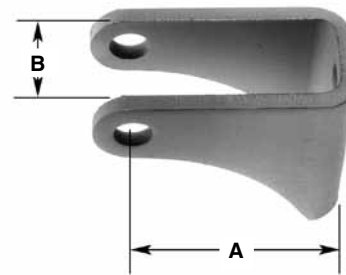
MERITOR NO.	REPLACES NEWAY	FOR MODEL
R304338	905 19 009	AR-80-US, AR-51-US

MERITOR NO.	REPLACES NEWAY	FOR MODEL	STUD	
			THD.	LGTH.
R304339	900 18 011	AR-120, 125 AR-120-US 125-US	3/4"-10	3"

UPPER SHOCK MOUNTING BRACKET



UPPER SHOCK MOUNTING BRACKET



MERITOR NO.	REPLACES NEWAY	FOR MODEL	A	B	STUD	
					THD.	LGTH.
R304342	905 18 020	ARD-165 ARD-125 ARD-244	6"	4"	3/4"-10	3 13/16"

MERITOR NO.	REPLACES NEWAY	FOR MODEL	A	B
R304343	900 18 116	ARD-125 ARD-244	4 1/2"	1 25/32"

SHOCK MOUNTING BOLT



MERITOR NO.	REPLACES NEWAY	FOR MODEL	GRADE	THD.	O.A.L.
R304345	930 03 599	ARL	8	3/4"-10	3 1/2"

NEWAY BEAMS

BEAM - LEFT HAND			
MERITOR NO.	REPLACES NEWAY	FOR MODEL	DIMENSIONS
R309530	905 15 026	For Model AR-120 US	40" O.A.L.

BEAM - RIGHT HAND			
MERITOR NO.	REPLACES NEWAY	FOR MODEL	DIMENSIONS
R309531	905 15 027	For Model AR-120 US	40" O.A.L.

BEAM - LEFT HAND			
MERITOR NO.	REPLACES NEWAY	FOR MODEL	DIMENSIONS
R309532	905 16 112	AR-90	43" O.A.L.

BEAM - RIGHT HAND			
MERITOR NO.	REPLACES NEWAY	FOR MODEL	DIMENSIONS
R309533	905 16 113	AR-90	43" O.A.L.

BEAM			
MERITOR NO.	REPLACES NEWAY	FOR MODEL	DIMENSIONS
R309534	910 15 015	T-8540	43 3/8" O.A.L.

BEAM			
MERITOR NO.	REPLACES NEWAY	FOR MODEL	DIMENSIONS
R309535	915 15 001	RTS-536, 544	43 3/8" O.A.L.


S.O.S. Special Order Service




Can't find it? Trouble sourcing products? Need assistance?

Let Meritor's Special Order Service (S.O.S.) help you find your Neway parts.

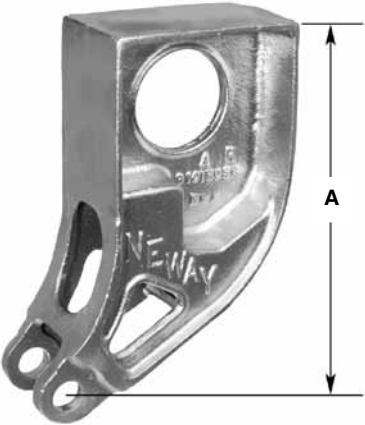
Meritor's position as the market leader provides you access to a comprehensive array of truck parts products from the industry's leading manufacturers. Through Meritor, these entire product lines are available to you just by placing a phone call to Meritor's S.O.S. Department.

NEWAY BEAM ATTACHING HARDWARE

TRUNNION TUBE				
				
MERITOR NO.	REPLACES NEWAY	O.D.	WALL THICK.	LENGTH
R309610	910 38 210	4"	1/2"	8 3/8"

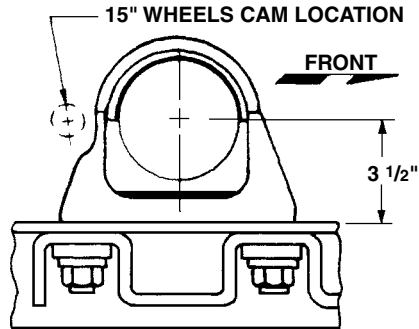
INNER WASHER				
				
MERITOR NO.	REPLACES NEWAY	O.D.	I.D.	THICKNESS
R309611	936 00 002	6"	4 1/16"	3/16"
OUTER WASHER				
				
MERITOR NO.	REPLACES NEWAY	O.D.	I.D.	THICKNESS
R309612	936 00 003	6"	4 1/16"	5/16"
LOCK NUT GRADE 8 Use for Neway Air Suspension				
				
MERITOR NO.	REPLACES NEWAY	THREAD	HEX	HIGH
R302988	934 00 488	5/8"-11	15/16"	17/32"

NEWAY LEAF SPRING HANGER

			
FRONT SPRING HANGER			
MERITOR NO.	REPLACES NEWAY	A	FOR MODEL
R309536	910 18 036	14 1/2"	RTS-536-1, -2, -3, -4 and RTS-544-1, -2, -3, -4 Spring Series

NEWAY SUSPENSION

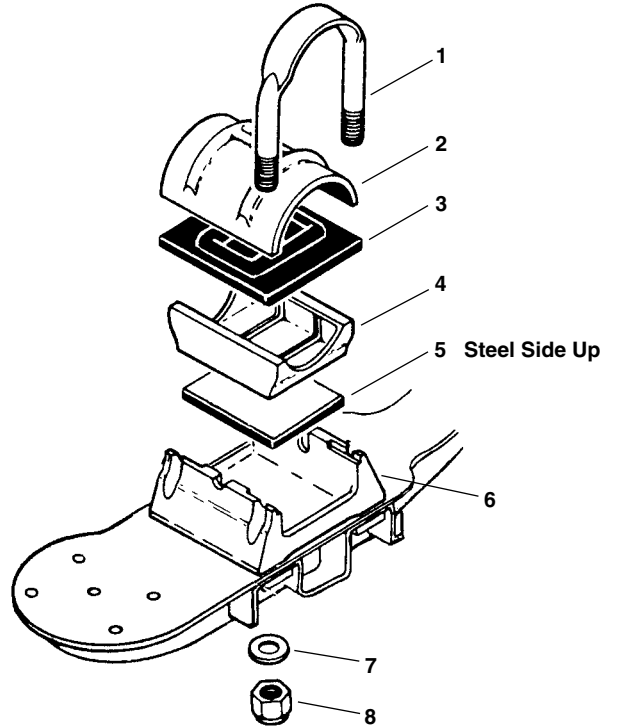
15" Wheel Connection 5" Rd. and 5" Sq. (With Brake Cams on Horizontal Centerline)



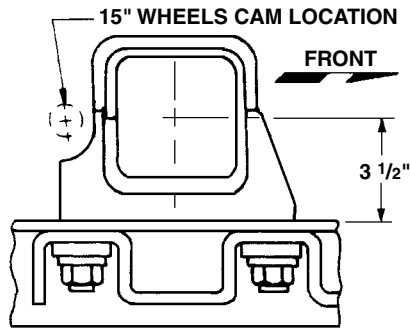
5" ROUND AXLE CONNECTION

N.S.S. = Not Sold Separately

KEY NO.	MERITOR NUMBER	REPLACES NEWAY NUMBER	DESCRIPTION	PAGE NO.
1	R30U8479-090	900 41 878	U-Bolt Assembly	2-30
2	S.O.S.	905 10 093	Axle Cap	—
3	R302943	900 28 047	Rubber Wrapper	1-451
4	R304289	900 01 082	Axle Adapter	1-466
5	R302947A	900 28 075	Steel/Rubber Pad	1-452
6	S.O.S.	900 01 078	Beam Seat	—
7	N.S.S.	939 00 027	Washer	—
8	R304421	934 00 502	Lock Nut	2-34



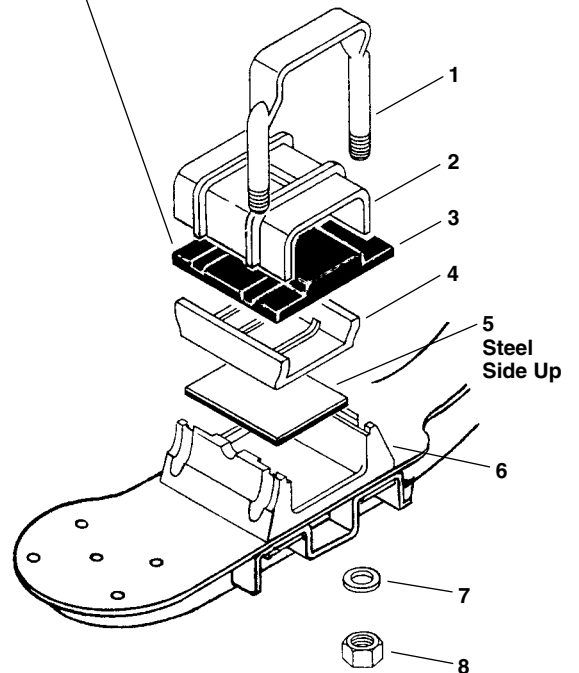
NOTE: Rubber Wrapper must be inserted in axle cap with slots matching internal ribs in axle cap.



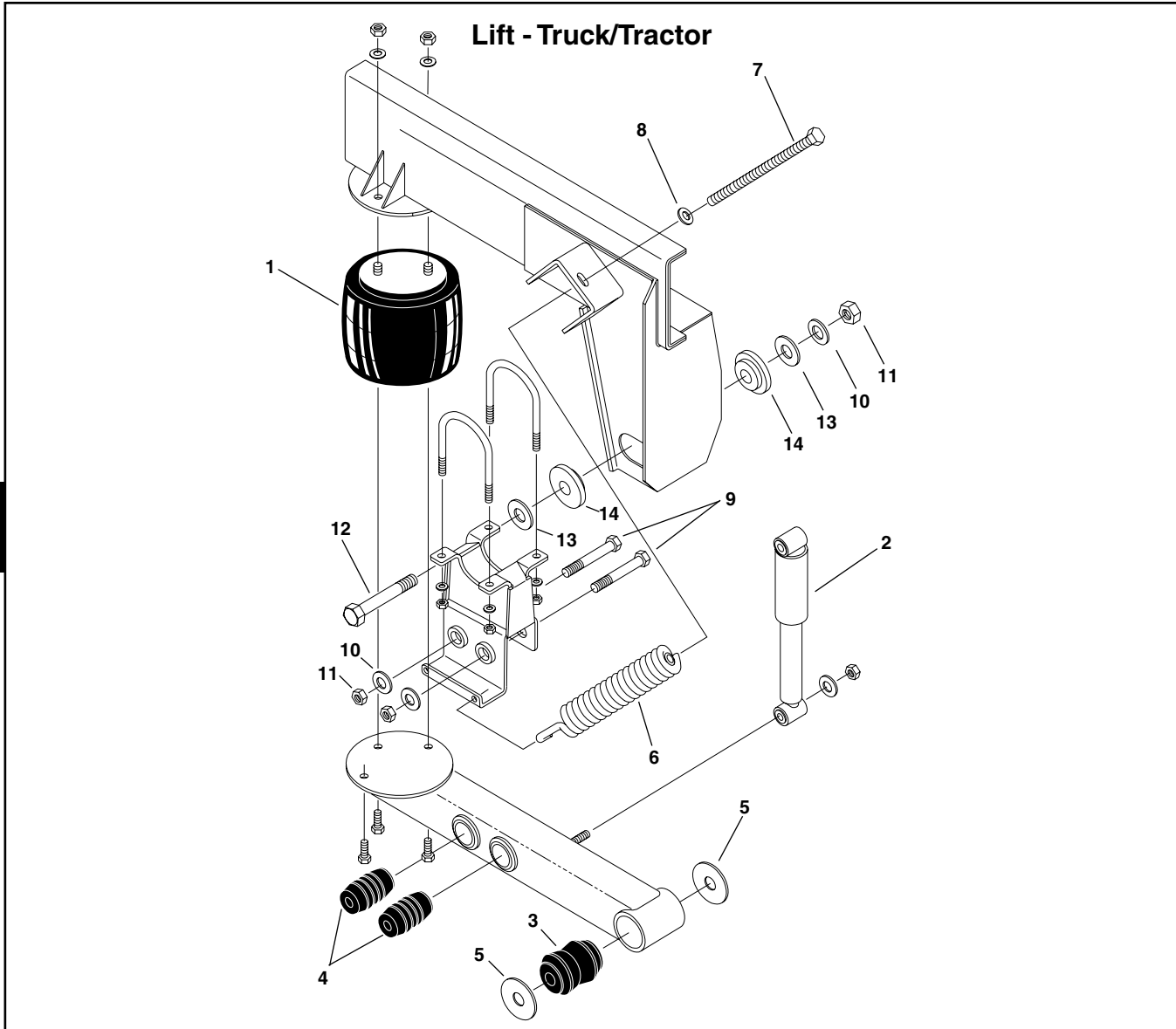
5" SQUARE AXLE CONNECTION

N.S.S. = Not Sold Separately

KEY NO.	MERITOR NUMBER	REPLACES NEWAY NUMBER	DESCRIPTION	PAGE NO.
1	R30U8578-094	900 42 430	U-Bolt Assembly	2-30
2	S.O.S.	900 10 026	Axle Cap	—
3	R304409	900 28 073	Rubber Wrapper	1-451
4	R304290	900 01 083	Axle Adapter	1-467
5	R302947A	900 28 075	Steel/Rubber Pad	1-452
6	S.O.S.	900 01 086	Beam Seat	—
7	N.S.S.	939 00 027	Washer	—
8	R304421	934 00 502	Lock Nut	2-34



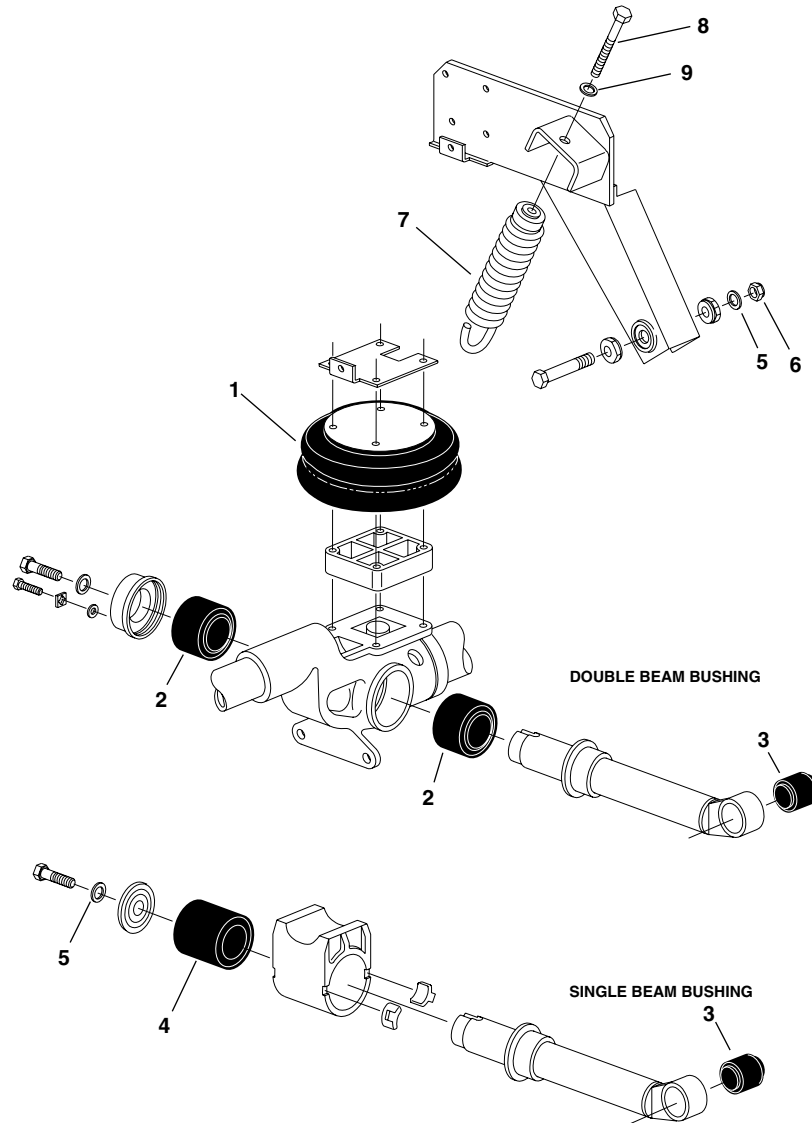
PAGE LM-2000 SERIES LIFT AXLE SUSPENSION



KEY NO.	MERITOR NO.	REPLACES PAGE NO.	DESCRIPTION	QUANTITY PER SUSPENSION	PAGE NO.
1	FS9164	1090326	Air Spring	2	—
2	83203	1080099	Fleetline Shock Absorber	2	3-14
	85000				
3	R304382A	1090436	Beam End Bushing	2	1-485
4	R304255	1090237	Axle Bracket Bushing	4	1-485
5	R302957	1090437	Thrust Washer	4	2-35
6	R309448	1027637	Coil Lift Spring	2	1-485
7	R309449	1027645	Coil Lift Spring Bolt	2	1-485
8	R309450	1027644	Coil Lift Spring Washer	2	1-486
9	R304361	1090452	Axle Bracket Bolt	4	2-32
10	R309452	1025264	Axle Bracket Washer	6	1-486
11	R304358	1027534	Lock Nut	6	2-34
12	R304361	1090438	Beam End Bolt	2	2-32
13	R309454	1082048	Beam End Washer	4	1-486
14	R309455	1082047	Alignment Collar	4	1-486

PAGE LM-3000 SERIES LIFT AXLE SUSPENSION

Lift - Truck/Tractor



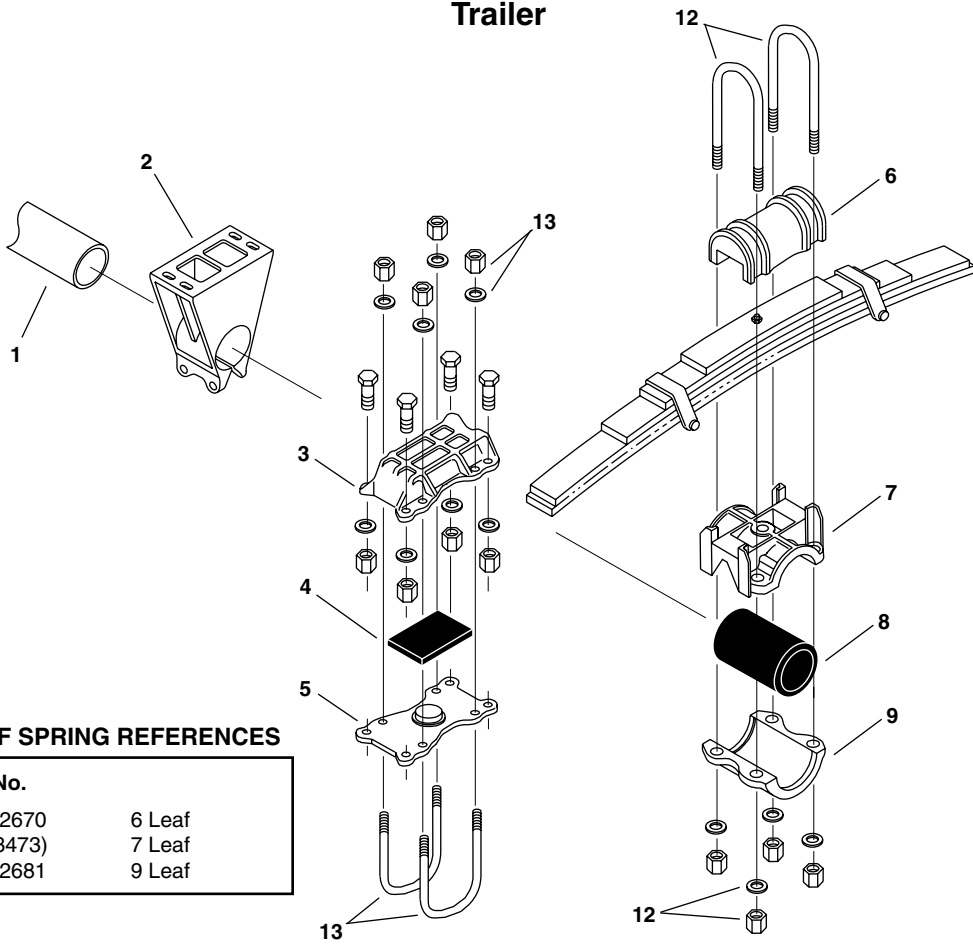
KEY NO.	MERITOR NO.	PAGE REPLACES NO.	DESCRIPTION	PER QUANTITY SUSPENSION	PAGE NO.
1	FS7136	1027556	Air Spring	2	—
2	R309456	1027371	Pivot Arm Bushing	4	1-485
3	R309457	1080044	Beam End Bushing	4	1-485
4	R309458	1080082	Pivot Arm Bushing	2	1-485
5	R309452	1025264	Washer	2	1-486
6	R302079	1027534	Lock Nut	2	2-34
7	R309448	1027637	Coil Lift Spring	2	1-485
8	R309449	1027645	Coil Lift Spring Bolt	2	1-485
9	R309450	1027644	Coil Lift Spring Washer	2	1-486

S.O.S. = Available through Meritor's S.O.S. Department

PAGE SINGLE POINT SUSPENSION

1

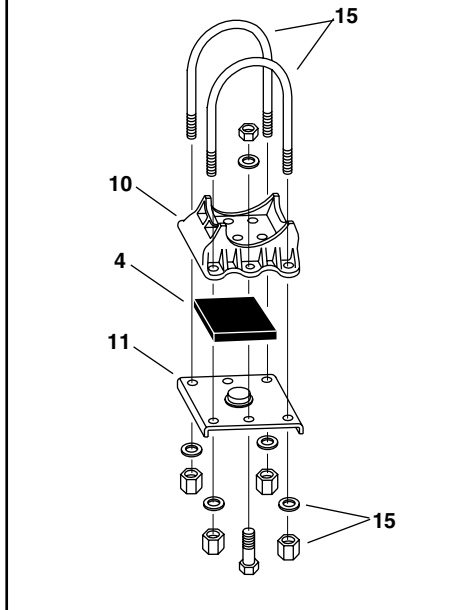
Trailer



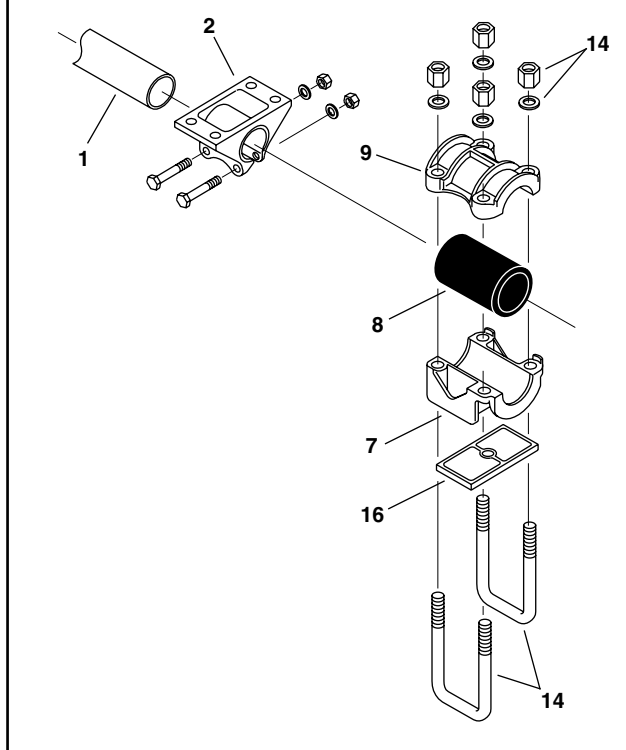
LEAF SPRING REFERENCES

SRI No.	
TRA 2670	6 Leaf
(1083473)	7 Leaf
TRA 2681	9 Leaf

OPTIONAL UNDERSLUNG AXLE



OPTIONAL UNDERSLUNG TRUNNION



PAGE SINGLE POINT SUSPENSION PARTS

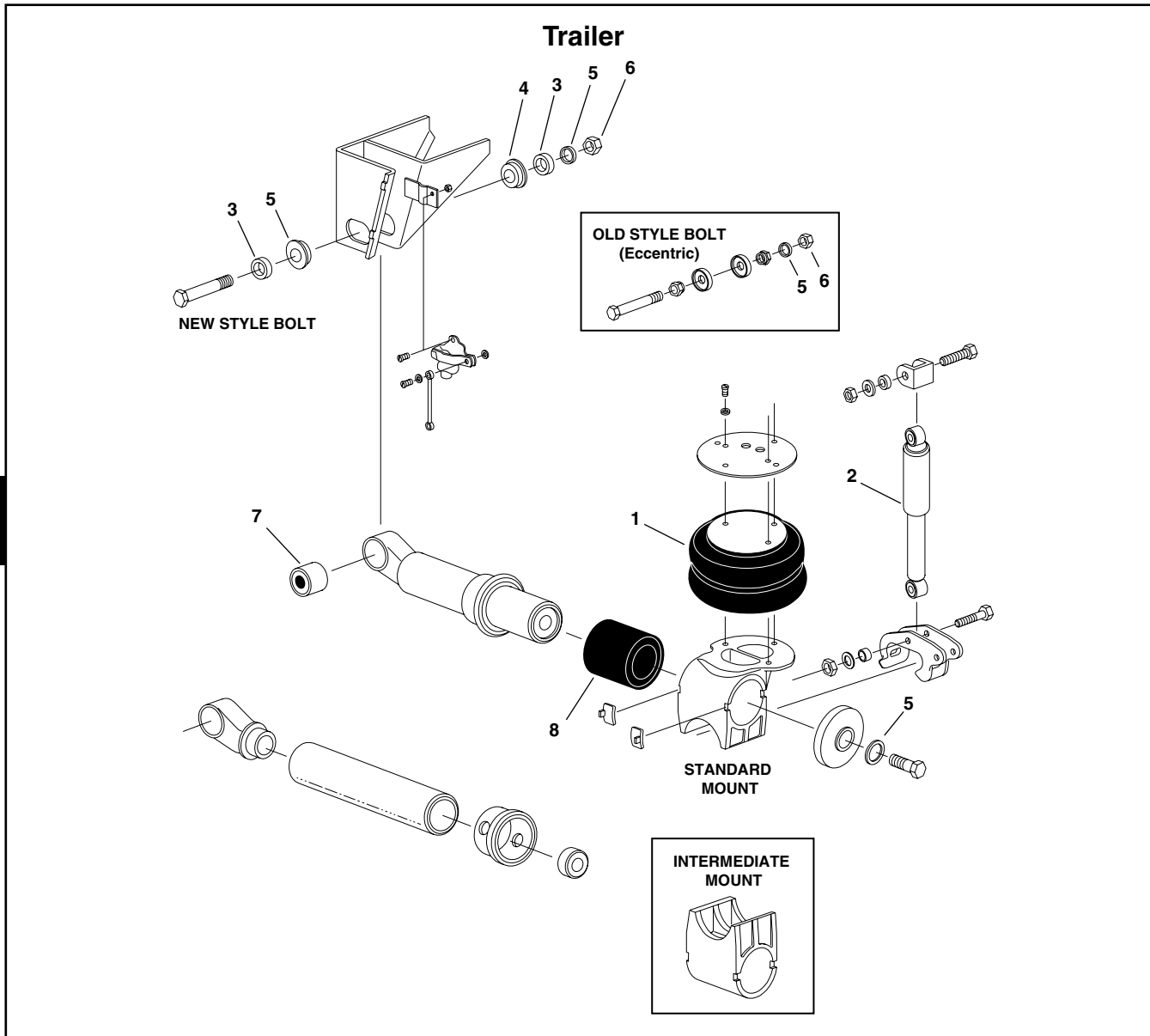
Trailer

N/A = No Longer Available

KEY NO.	MERITOR NO.	REPLACES PAGE NO.	DESCRIPTION	QUANTITY PER SUSPENSION	PAGE NO.
1	R305218	1083482	Trunnion Shaft	1	1-486
2	R305213	1084526	Trunnion Bracket, 2 1/2" High	2	1-486
	R304312	1084538	Trunnion Bracket, 4 1/2" High		1-486
	R305214	1084554	Trunnion Bracket, 6 1/2" High		1-486
	R305215	1083495	Trunnion Bracket, 8 1/2" High		1-486
3	R304308	1083493	Spring End Cap	4	1-486
4	R301330 (Rubber)	—	Spring End Pad	4	1-486
	R308670 (Poly)				1-486
5	R304305	1083492	Spring Seat, 5" Round Axle	4	1-487
6	R309459	1083472	U-Bolt Cap	2	1-487
7	R304301	1083471	Trunnion Half	2	1-487
8	R301332 (Rubber)	1083483	Trunnion Bushing	2	1-487
	R307486 (Poly)				1-487
9	R304302	1083489	Trunnion Half	2	1-487
10	R309460	1084524	Spring End Cap	4	1-487
11	R309461	1084521	Spring End Pad	4	1-487
12	R30U8186-154	1085153 1083485 1090188	U-Bolt Assembly, Rd. Bend, 1 1/8"-12 Thd. x 5 3/4" Wide x 15 1/2" Long	4	2-26
13	R30U8145-076	1083486	U-Bolt Assembly, Rd. Bend, 5/8"-18 Thd. x 5" Wide x 7 3/4" Long	8	2-25
14	R30U8287-14	1084523	U-Bolt Assembly, Sq. Bend, 1 1/8"-12 Thd. x 5 3/4" Wide x 14" Long	4	2-28
15	R30U8178-126	1084525	U-Bolt Assembly, Rd. Bend, 1"-14 Thd. x 5" Wide x 12 3/4" Long	8	2-26
16	N/A	—	Plate	2	—
—	R302965	—	Spring Seat Repair Pad	As Required	1-487

S.O.S. = Available through Meritor's S.O.S. Department





PAGE TRAILMASTER AIR SPRING SUSPENSION




KEY NO.	MERITOR NO.	REPLACES PAGE NO.	DESCRIPTION	QUANTITY PER SUSPENSION	PAGE NO.
1	FS7136	1027556	Air Spring	2	—
2	83203	1080099	Fleetline Shock Absorber	2	3-14
	85000				
	83204	1081933			
3	R309454	1082048	Beam End Washer	4	1-486
4	R309455	1082047	Alignment Collar	4	1-486
5	R309452	1025264	Axle Bracket Washer	4	1-486
6	R302079	1027534	Lock Nut	2	2-34
7	R309457	1080044	Beam End Bushing	2	1-485
8	R309458	1080082	Pivot Arm Bushing	2	1-485

S.O.S. = Available through Meritor's S.O.S. Department

PAGE LM-2000/3000 SERIES LIFT AXLES AND TRAILMASTER AIR SPRING SUSPENSION PARTS



AXLE BRACKET BUSHING				
				
MERITOR NO.	REPLACES	O.D.	I.D.	LENGTH
R304255	Page 1090237	2 3/8"	1 1/8"	5"
PIVOT ARM BUSHING				
				
MERITOR NO.	REPLACES	O.D.	I.D.	LENGTH
R309456	Page 1027371	4 1/2"	3 1/2"	4 3/16"
PIVOT ARM BUSHING				
				
MERITOR NO.	REPLACES	O.D.	I.D.	LENGTH
R309458	Page 1080082	5"	3 5/8"	5 5/8"
COIL LIFT SPRING				
				
MERITOR NO.	REPLACES	DIMENSIONS		
R309448	Page 1027637	3 5/8" O.D. x 18" Long		



BEAM END BUSHING				
				
MERITOR NO.	REPLACES	O.D.	I.D.	LENGTH
R304382A	Page 1090436	3 1/2"	1 1/8"	5 1/4"
BEAM END BUSHING				
				
MERITOR NO.	REPLACES	O.D.	I.D.	LENGTH
R309457	Page 1080044	3"	1 1/8"	2 15/16"
COIL LIFT SPRING BOLT				
				
MERITOR NO.	REPLACES	DIMENSIONS		
R309449	Page 1027645	3/4"-16 Thd. x 10" Long		

1

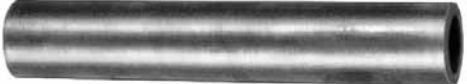
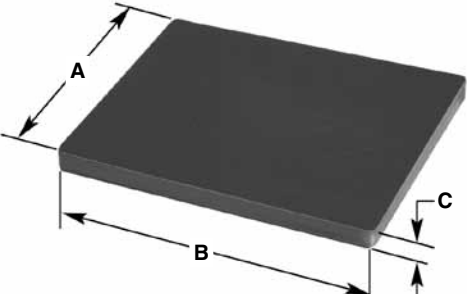
PAGE LM-2000/3000 SERIES LIFT AXLES AND TRAILMASTER AIR SPRING SUSPENSION PARTS

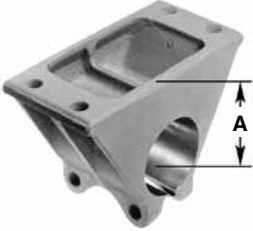

1

AXLE BRACKET WASHER				
				
MERITOR NO.	REPLACES	O.D.	I.D.	THICK
R309452	Page 1025264	1 3/4"	1 3/16"	1/8"
ALIGNMENT COLLAR				
				
MERITOR NO.	REPLACES	O.D.	I.D.	THICK
R309455	Page 1082047	3 1/2"	1 7/16"	15/16"

COIL LIFT SPRING WASHER				
				
MERITOR NO.	REPLACES	O.D.	I.D.	THICK
R309450	Page 1027644	1 1/2"	3/4"	3/8"
BEAM END WASHER				
				
MERITOR NO.	REPLACES	O.D.	I.D.	THICK
R309454	Page 1082048	2 1/4"	1 1/8"	3/8"

PAGE SINGLE POINT SUSPENSION PARTS

TRUNNION SHAFT				
				
MERITOR NO.	REPLACES	O.D.	LENGTH	WALL THICKNESS
R305218	Page 1083482	4"	48"	3/4"
SPRING END PAD				
				
MERITOR NO.	REPLACES	A	B	C
R301330 (Rubber)	—	4 5/8"	5 1/4"	13/16"
R308670 (Poly)				

TRUNNION BRACKET		
		
Material Ductile Iron		
MERITOR NO.	REPLACES	A
R305213	Page 1084526	2 1/2" High
R304312	Page 1084538	4 1/2" High
R305214	Page 1084554	6 1/2" High
R305215	Page 1083495	8 1/2" High
SPRING END CAP		
		
MERITOR NO.	REPLACES	A
R304308	Page 1083493	3.88"

PAGE SINGLE POINT SUSPENSION PARTS



MERITOR NO.	REPLACES
R304305	Page 1083492



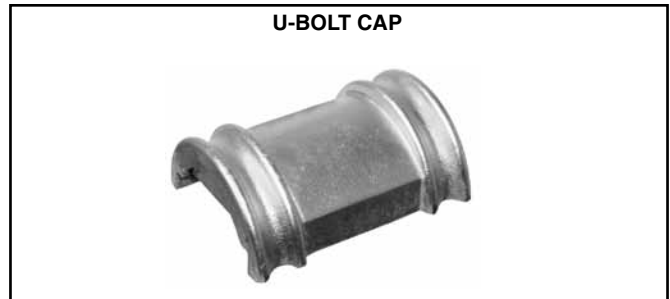
MERITOR NO.	REPLACES
R304301	Page 1083471



MERITOR NO.	REPLACES	O.D.	I.D.	LENGTH
R301332 (Rubber)	Page 1083483	5"	4"	8 3/4"
R307486 (Poly)				



MERITOR NO.	REPLACES
R309461	Page 1084521



MERITOR NO.	REPLACES
R309459	Page 1083472



MERITOR NO.	REPLACES
R304302	Page 1083489



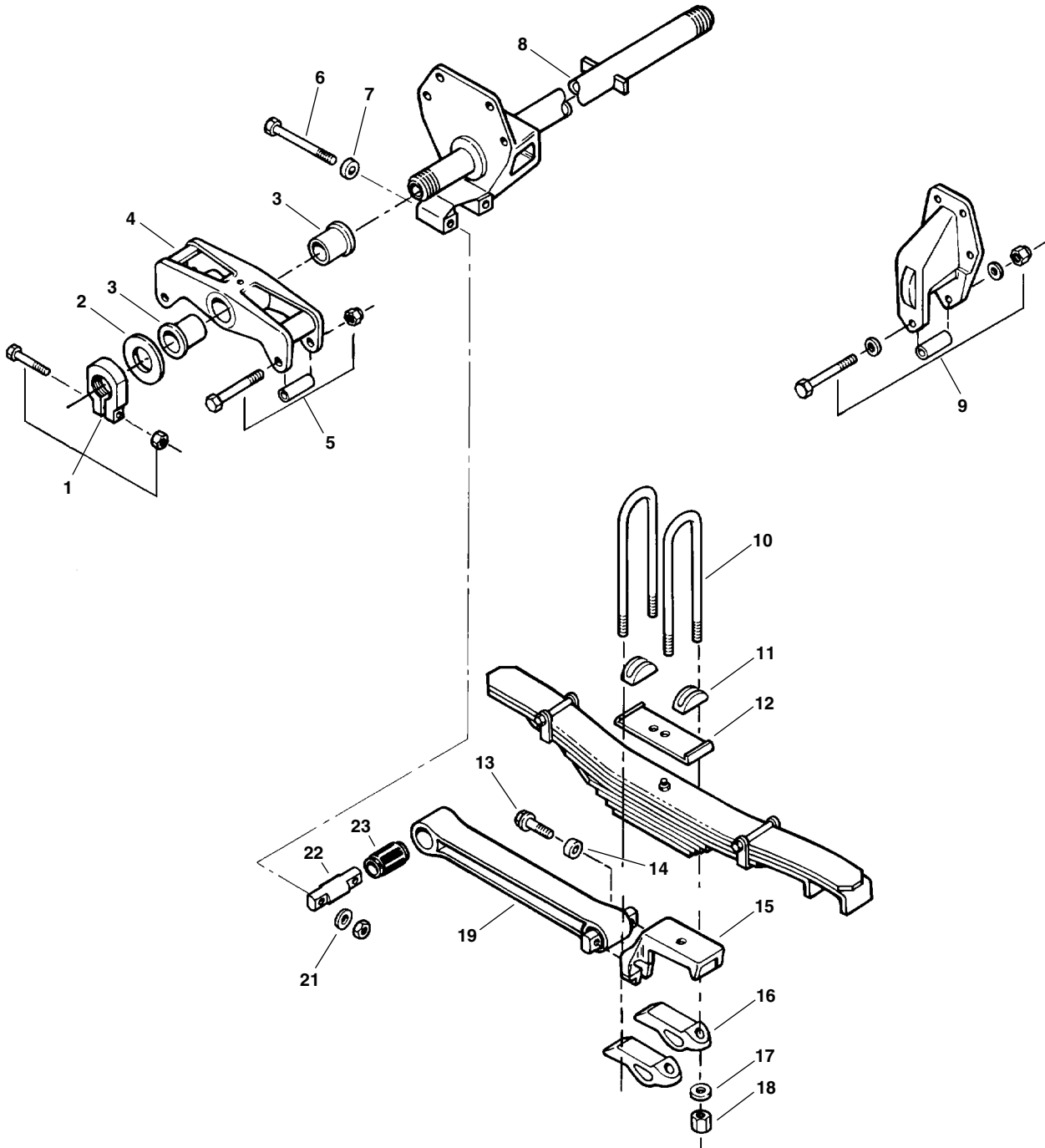
MERITOR NO.	REPLACES
R309460	Page 1084524



MERITOR NO.	REPLACES
R302965	Page 91001049

PETERBILT 4-SPRING SUSPENSION

1



LEAF SPRING REFERENCES

SRI No.	
75-141	4/Pad/3/Pad
75-107	11 Leaf
75-117	11 Leaf

PETERBILT 4-SPRING SUSPENSION PARTS

Tractor

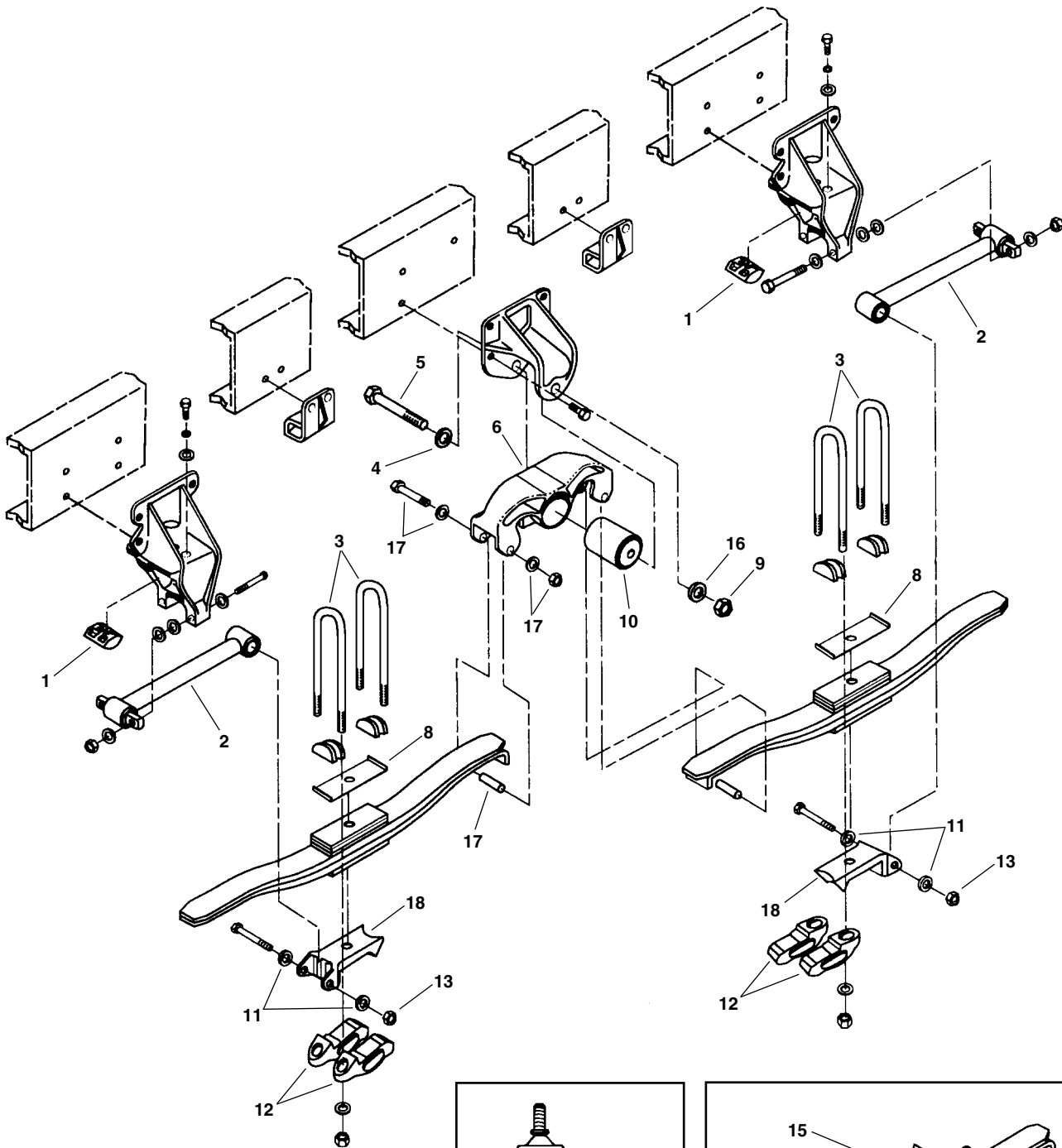
N/A = No Longer Available

KEY NO.	MERITOR NO.	REPLACES PETERBILT NO.	DESCRIPTION	QUANTITY PER TANDEM	PAGE NO.
1	N/A	—	Equalizer Clamp Nut Assembly	2	—
2	R304755	03-1771	Equalizer Washer	2	1-498
3	R304745	03-02099	Equalizer Bushing	4	1-498
	R307510 (Poly)				
5	R304761	—	Equalizer Spacer Assembly	4	1-498
7	N/A	03-00869	Torque Arm Spacer Washer, 7/32" Thick	4	—
	R304754	03-00870	Torque Arm Spacer Washer, 1/2" Thick		—
8	R304770	—	Hanger Spacer Assembly	4	1-499
9	R30U8151-18	Various	U-Bolt Assembly, Rd. Bend, 3/4"-16 Thd. x 3" Wide x 18" Long	8	2-25
10	—	03-01766	U-Bolt Saddle	8	—
11	N/A	03-01769	U-Bolt Saddle Plate	4	—
12	R304759	27-00702-009	Torque Arm Bolt	8	1-499
13	N/A	03-00870	Torque Arm Spacer Washer	8	—
14	R304767	03-02864M002	Axle Seat, Front	2	1-499
	R304768	03-02865M002	Axle Seat, Rear	2	1-499
15	N/A	03-01765	Axle Clamp	8	—
16	R302545	03-01199	Washer	16	2-35
17	R303001	27-00433 27-00508-012	Hi-Nut	16	2-34
18	R304753	03-04839	Torque Arm, R304753 Non-Rebushable	4	1-498
19	R303000	29-00508-010	Hi-Nut	16	2-34
20	N/A	27-00304-010	Torque Arm Lock Washer	16	—
21	R304751	03-01768	Torque Arm Pin	8	1-498
22	R304752	03-01776	Torque Arm Bushing	8	1-498

1

PETERBILT "QUADRAFLEX" 4-SPRING SUSPENSION

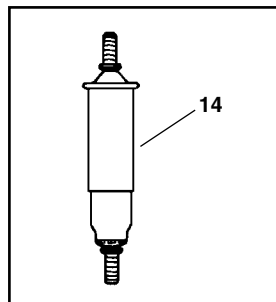
Tractor



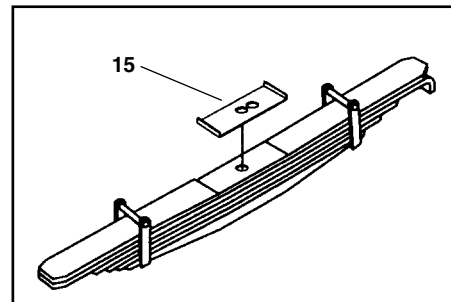
LEAF SPRING REFERENCES

SRI No.

75-141	4/Pad/3/Pad
75-107	11 Leaf
75-117	11 Leaf



Shock Absorber



Optional Spring Assembly

PETERBILT "QUADRAFLEX" 4-SPRING SUSPENSION PARTS

Tractor

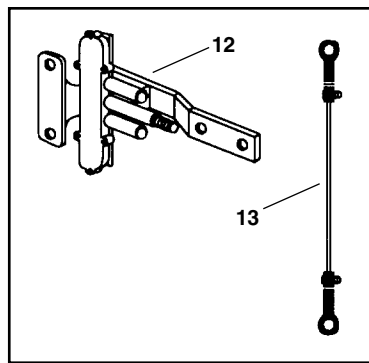
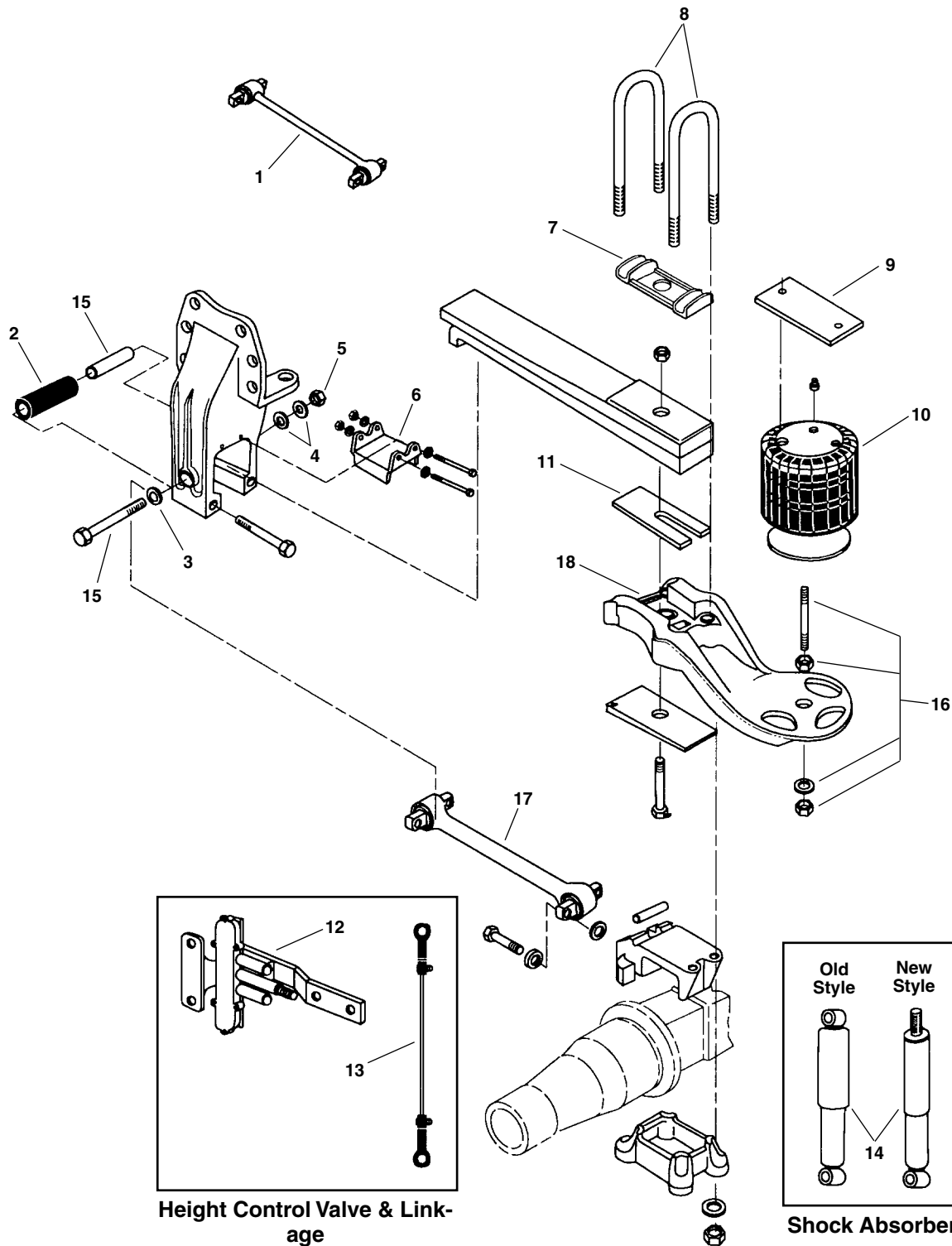
N/A = No Longer Available

KEY NO.	MERITOR NO.	REPLACES PETERBILT NO.	DESCRIPTION	QUANTITY PER TANDEM	PAGE NO.
1	R307879	03-05851M001	Hanger Wear Pad	4	1-500
2	R307887	03-05849	Torque Arm	4	1-500
3	R30U8151-14	03-04524-01	U-Bolt Assembly, Rd. Bend, 3/4"-16 Thd. x 3" Wide x 14" Long	8	2-25
	R30U8151-16	03-04524-150	U-Bolt Assembly, Rd. Bend, 3/4"-16 Thd. x 3" Wide x 16" Long		2-25
4	R302275	27-00790-016	Washer	2	2-35
5	R304778	03-01668	Spring Eye Bolt	4	2-33
6	R307869	03-06771M001	Equalizer	2	1-500
7	—	03-01766	U-Bolt Saddle	8	—
8	N/A	03-05863	Top Plate	4	—
9	R304779	27-00791-016 41NE1614	Spring Eye Nut	2	2-34
10	R307870	03-06843	Equalizer Bushing	2	1-500
11	R302545	03-01199	Washer	8	2-35
12	N/A	03-02634R	Axle Clamp, Right Hand	4	—
	N/A	03-02634L	Axle Clamp, Left Hand	4	—
	N/A	03-04776	Axle Clamp	8	—
13	R304347	12841-003-20CA	Lock Nut	4	2-34
14	85326	03-04628	Fleetline Shock Absorber	4	3-17
15	N/A	03-01769	U-Bolt Saddle Plate	4	—
16	R302275	27-00790-016	Equalizer Washer	2	2-35
17	R307871	—	Equalizer Bolt Kit Includes Key Nos. 4, 5, 9, 21	2	1-500
18	N/A	03-05859M001	Axle Seat, Front	2	—
	N/A	03-05858M001	Axle Seat, Rear	2	—

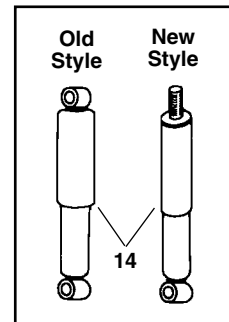
1

PETERBILT "AIR TRAC " AIR RIDE SUSPENSION

Tractor



Height Control Valve & Linkage



Shock Absorber

LEAF SPRING REFERENCES

SRI No.	
75-125	2 Leaf
75-109	3 Leaf

PETERBILT "AIR TRAC" AIR RIDE SUSPENSION PARTS

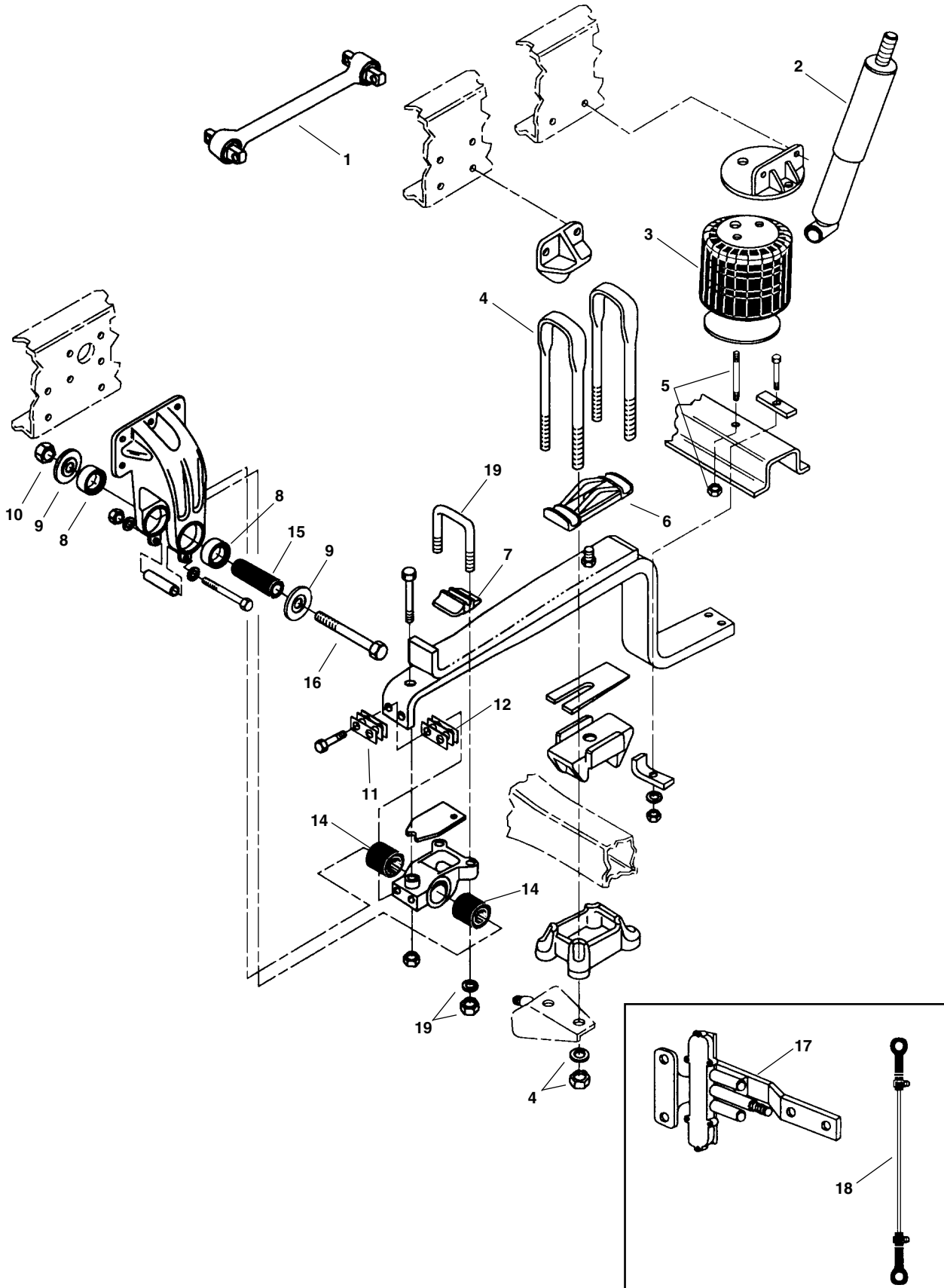
Tractor

KEY NO.	MERITOR NO.	REPLACES PETERBILT NO.	DESCRIPTION	QUANTITY PER AXLE	PAGE NO.
1	R304771	03-04059	Torque Arm, 23" Long	2	1-503
2	R307855	03-04623	Spring Eye Bushing	2	1-501
3	R302547	03-04962	Washer	2	2-35
4	S.O.S.	27-00428-010	Washer	4	—
5	R301943	22NE1018 27-00791-008	Lock Nut	2	2-34
6	R307862	23-12566 27-01032-008	Wear Pad Kit For Model Built Date Prior April 1993	2	1-501
7	R304781	03-01656	Top Plate	2	1-503
8	R30U8375-14	03-03133-150	U-Bolt Assembly, Semi Rd. Bend, 1"-14 Thd. x 4 1/8" Wide x 14" Long	4	2-29
	R30U8375-154	03-03134-151	U-Bolt Assembly, Semi Rd. Bend, 1"-14 Thd. x 4 1/8" Wide x 15 1/2" Long		
9	R307865	03-03846	Air Spring Spacer	2	1-501
10	FS9069	03-01649 03-02038 03-02456	Air Spring	2	—
11	R307864	03-04106	Leaf Spring Shim	2	1-501
12	R304323	—	Height Control Valve	1	2-58
13	R307852	03-06224	Leveling Valve Link Assembly	1	2-61
14	85308	03-04176	Fleetline Shock Absorber	4	3-10
	89422		GasSLX Shock Absorber		
	85311	03-04629	Fleetline Shock Absorber		3-16
	89424		GasSLX Shock Absorber		
15	R307854	—	Spring Eye Bushing Kit Includes Key Nos. 2, 3, 4, 5, 18	2	1-501
16	R307868	27-00173 27-00311-008 27-00304-008	Air Spring Stud Assembly	2	1-501
17	R305082	03-04119	Torque Arm with 5/8" Hole in Both Bushings	2	1-503
	R305083	03-04327	Torque Arm with 5/8" One End and 3/4" Other End	2	1-503
18	R307866	03-2559L	Spring Support, Left Hand	1	1-501
		03-06747L			
	R307867	03-02559R 03-06747R	Spring Support, Right Hand	1	1-501

S.O.S. = Available through Meritor's S.O.S. Department

PETERBILT "LOW AIR LEAF" SUSPENSION

Tractor



Height Control Valve & Linkage

PETERBILT "LOW AIR LEAF" SUSPENSION PARTS

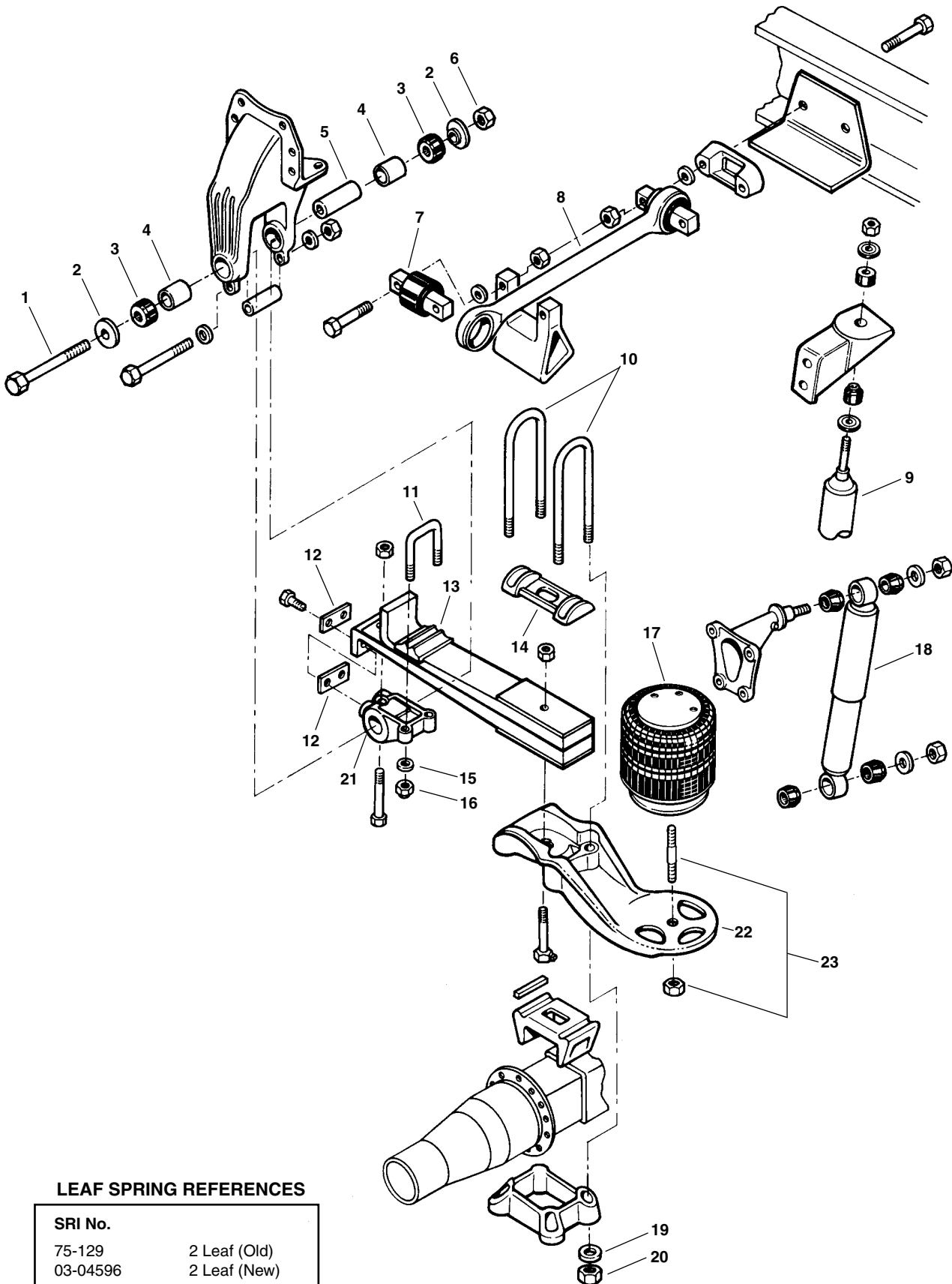
Tractor

KEY NO.	MERITOR NO.	REPLACES PETERBILT NO.	DESCRIPTION	QUANTITY PER AXLE	PAGE NO.
1	R307853	03-05108	Torque Arm	2	1-502, 2-42
2	85033	03-07423	Fleetline Shock Absorber	2	3-16
	89427		GasSLX Shock Absorber		
3	FS9026	03-0613	Air Spring	2	—
	FS9194	03-05107	Air Spring	2	—
4	R30U8673-154	03-05110-155	U-Bolt Assembly, Flat-Semi Round. Bend, 1"-14 Thd. x 3 9/16" Wide x 15 1/2" Long	4	2-29
5	R307851	27-00791-008 27-00972	Air Spring Stud & Nut Assembly	2	1-502
6	N/A	03-05380	Top Plate	2	—
7	N/A	03-05100	Top Plate	2	—
8	R304776	03-01675	Spring Hanger Bushing	4	1-503
9	R304777	03-01670	Spring Hanger Washer	4	1-503
10	R304779	41NE1614 27-00791	Spring Eye Nut	2	2-34
11	R307844	03-05114-002	Shim	—	1-502
12	R307845	03-05114-001	Shim	—	1-502
14	R307841	03-05101	Spring Eye Bushing	4	1-502
15	Part of R307840	03-05102	Sleeve	2	1-502
16	Part of R307840	03-05103	Bolt	2	1-502
—	R307840	—	Spring Eye Bushing Kit, Includes Key Nos. 8, 9, 10, 14, 15, 16.	2	1-502
17	R304323	—	Height Control Valve	1	2-58
18	R307852	03-06224	Leveling Valve Link Kit	1	2-61
19	R30U8253-05	03-05105	U-Bolt Assembly, Sq. Bend, 3/4"-16 Thd. x 3 1/2" Wide x 5" Long	2	2-27

N/A = No Longer Available

PETERBILT "AIR LEAF" SUSPENSION

Tractor



PETERBILT "AIR LEAF" SUSPENSION PARTS

Tractor

KEY NO.	MERITOR NO.	REPLACES PETERBILT NO.	DESCRIPTION	QUANTITY PER AXLE	PAGE NO.
1	R304778	03-01668	Spring Eye Bolt	2	2-33
2	R304777	03-01670	Spring Hanger Washer	4	1-503
3	R304776	03-01675	Spring Hanger Bushing	4	1-503
4	R304775 (Rubber)	03-01674	Spring Eye Bushing	4	1-503
	R307509 (Poly)				1-503
5	R304774	03-01669	Spring Eye Sleeve	2	1-503
6	R304779	41NE1614 27-00791-016	Spring Eye Nut	2	2-34
—	R304773	—	Spring Eye Bushing Kit, Includes Key Nos. 1, 2, 3, 4, 5, 6.	2	1-502
7	R302225 (Rubber)	227710	Straddle Cartridge 44694	4	1-503
	R307638 (Poly)				1-503
8	R304771	03-04059	Torque Arm	2	1-503
9	85311	03-04629	Fleetline Shock Absorber	2	3-16
	89424		GasSLX Shock Absorber		
10	R30U8375-14	03-03133-150	U-Bolt Assembly, Semi Rd. Bend, 1"-14 Thd. x 4 1/8" Wide x 14" Long	2	2-29
	R30U8375-154	03-03134-151	U-Bolt Assembly, Semi Rd. Bend, 1"-14 Thd. x 4 1/8" Wide x 15 1/2" Long	2	2-29
11	R30U8255-05	03-04523	U-Bolt Assembly, Sq. Bend, 3/4"-16 Thd. x 4" Wide x 5" Long	4	2-27
12	R304780	03-04959-001	Shim	4	1-503
13	R304782	03-01657	Top Plate	2	1-503
14	R304781	03-01656	Top Plate	2	1-503
15	R302545	03-01199	Washer	4	2-35
16	R303001	27-00433	U-Bolt Hi-Nut	4	2-34
		27-00508-012			
17	FS9069	03-01649	Air Spring	2	—
		03-02038			
18	85308	03-04176	Fleetline Shock Absorber	2	3-10
	89422		GasSLX Shock Absorber		
19	R302975	03-01203	Washer	8	2-35
20	R303003	27-00508-016	U-Bolt Hi-Nut	8	2-34
21	R3011749	03-01654	Spring Eye Pivot	2	1-498
22	R307866	03-2559L	Spring Support, Left Hand	1	1-501
		03-06747L			
	R307867	03-02559R	Spring Support, Right Hand	1	1-501
		03-06747R			
23	R307868	27-00173	Air Spring Stud Assembly	2	1-501
		27-00311-008			
		27-00304-008			

S.O.S. = Available through Meritor's S.O.S. Department

PETERBILT 4-SPRING SUSPENSION PARTS

EQUALIZER BUSHING



MERITOR NO.	REPLACES	O.D.	I.D.	LENGTH
R304745 (Plastic)	Peterbilt 03-02099	3 1/8"	2 1/2"	2 1/4"
R307510 (Cast Poly)				

SPRING EYE PIVOT



MERITOR NO.	REPLACES	LENGTH
R3011749	Peterbilt 03-0164	—

CROSS TUBE SPACER



MERITOR NO.	REPLACES	O.D.	I.D.	THICK
R304755	Peterbilt 03-01771	4"	2 9/16"	1/4"

EQUALIZER REBOUND BOLT ASSEMBLY



Bolt Size 1/2"-20 Thd. x 4 3/4"

MERITOR NO.	REPLACES	INCLUDES
R304761	Peterbilt 27-00279-020 03-01772 22NE820	1 Rebound Bolt 1 Spacer Tube 1 Lock Nut

NEW STYLE TORQUE ARM LIGHTWEIGHT TUBULAR STEEL



Not Rebushable

MERITOR NO.	REPLACES	LENGTH Center-to-Center
R304753	Peterbilt 03-04839	19 1/8"

OLD STYLE TORQUE ARM BUSHING



For Old Style Rebushable
Torque Arms

MERITOR NO.	REPLACES	O.D.	I.D.	LENGTH
R304752 (Poly)	Peterbilt 03-01776	2 1/8"	1 3/8"	2 1/2"

OLD STYLE TORQUE ARM PIN



MERITOR NO.	REPLACES	HOLE DIA.	LENGTH Center-to-Center
R304751	Peterbilt 03-01768	11/16"	4 3/8"

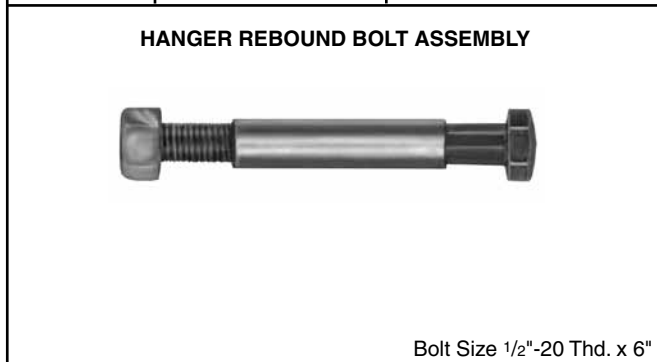
PETERBILT 4-SPRING SUSPENSION PARTS



MERITOR NO.	REPLACES	DIMENSIONS
R304759	Peterbilt 27-00702-009	5/8"-11 Thread x 2 1/4" Long



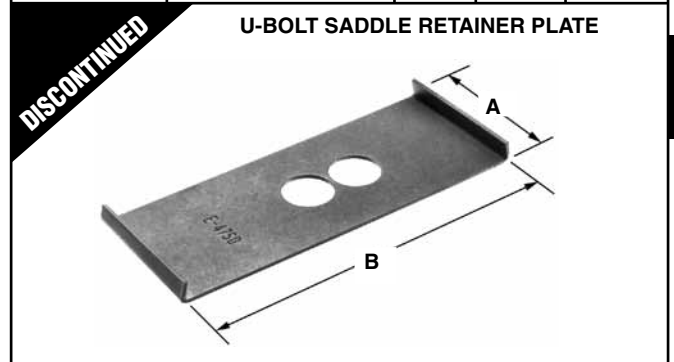
MERITOR NO.	REPLACES	GENERAL INFORMATION
R304767	Peterbilt 03-02864M002	4° Angle For Meritor SQHD 4 1/4" x 5" Axle



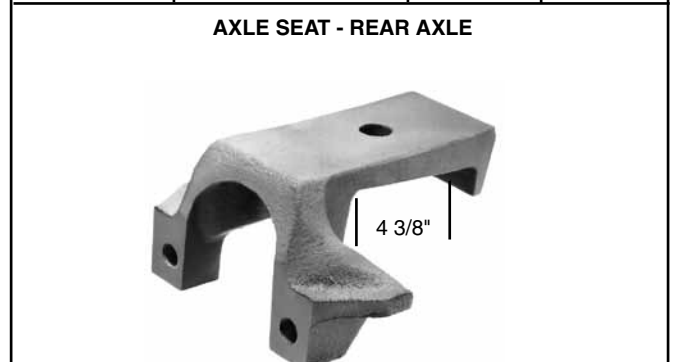
MERITOR NO.	REPLACES	GENERAL INFORMATION
R304770	Peterbilt 27-00279-024 03-01773 22NE820	1 Rebound Bolt 1 Spacer Tube 1 Lock Nut



MERITOR NO.	REPLACES	O.D.	I.D.	THICK
N/A Hanger or Axle Seat End	Peterbilt 03-00870	1 5/16"	21/32"	1/2"
N/A Axle Seat End	Peterbilt 03-00869	1 5/16"	11/16"	7/32"



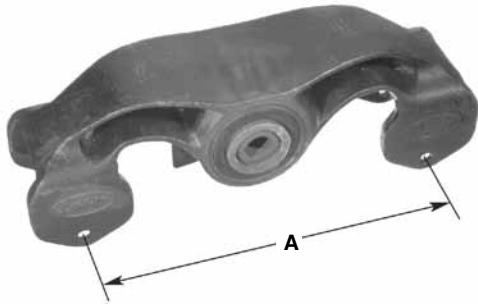
MERITOR NO.	REPLACES	A	B
N/A	Peterbilt 03-01769	2 7/8"	7 11/16"



MERITOR NO.	REPLACES	GENERAL INFORMATION
R304768	Peterbilt 03-02865M002	4° Angle For Meritor SQHD 4 1/4" x 5" Axle

PETERBILT "QUADRAFLEX" SUSPENSION PARTS

EQUALIZER



R307870 Bushing Included

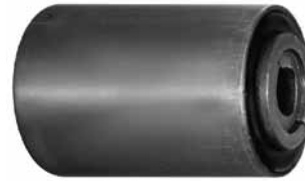
MERITOR NO.	REPLACES	A	INSIDE WIDTH
R307869	Peterbilt 03-06771M001	14 1/8"	3 3/4"

EQUALIZER BOLT KIT



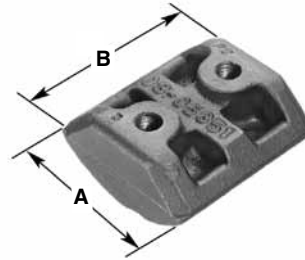
MERITOR NO.	REPLACES	INCLUDES
R307871	Peterbilt 03-01668	1 R304778 Equalizer Bolt
	27-00790-016	2 R302275 Washer
	27-00791-016	1 R304779 Nut
	27-00532-020	2 N.S.S.* Rebound Bolt
	27-00790-008	4 N.S.S.* Washer
	27-00792-008	2 N.S.S.* Nut
	03-06792	2 N.S.S.* Spacer
* (Not Sold Separately)		

EQUALIZER BUSHING



MERITOR NO.	REPLACES	O.D.	I.D.	O.A.L.
R307870	Peterbilt 03-06843	3 3/4"	1 1/64"	5 1/4"

HANGER WEAR PAD



MERITOR NO.	REPLACES	THD.	A	B
R307879	Peterbilt 03-05851M001	M12 x 1.75	2 7/8"	3 1/8"

TORQUE ARM



Not Rebushable

MERITOR NO.	REPLACES	LENGTH Center-to-Center
R307887	Peterbilt 03-05849	18 1/2"

1

PETERBILT "AIR TRAC" AIR RIDE SUSPENSION PARTS



MERITOR NO.	REPLACES
-------------	----------

R307866 (Steel)	Peterbilt 03-06747L 03-02559L Casting No. 125A4AA
---------------------------	---



MERITOR NO.	REPLACES	INCLUDES
-------------	----------	----------

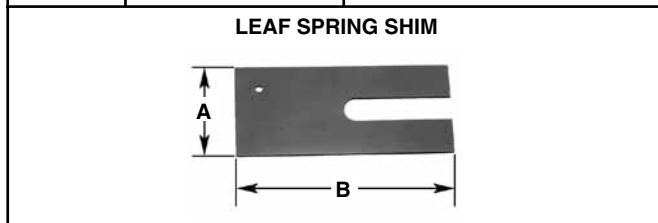
R307854	Peterbilt 03-04623 03-04624 27-00285-032 27-00428-010 03-04962 22NE1018	1 R307855 Bracket Bushing 1 N.S.S.* Spacer 1 N.S.S.* Bolt 2 — Washer 1 R302547 Washer 1 R301943 Nut * (Not Sold Separately)
----------------	---	---



For models built prior to April 1993

MERITOR NO.	REPLACES	INCLUDES
-------------	----------	----------

R307862	Peterbilt 23-12566 27-01032-008 27-00790-006	1 Wear Pad* 2 Bolt* 4 Washer* 2 Nut* * (Not Sold Separately)
----------------	---	--



MERITOR NO.	REPLACES	THICK	A	B
-------------	----------	-------	---	---

R307864	Peterbilt 03-04106	1/8"	9"	4"
----------------	--------------------	------	----	----



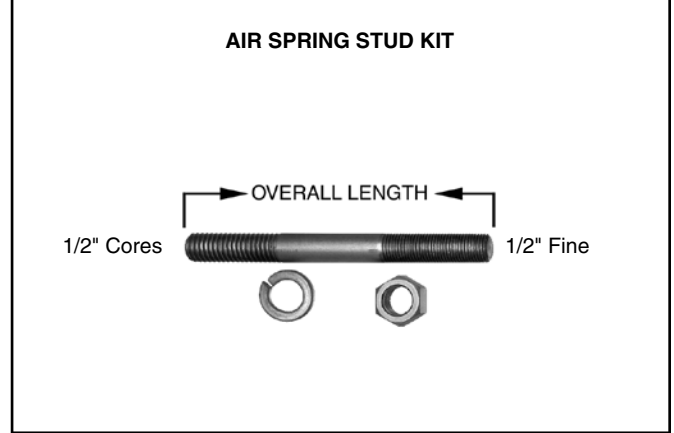
MERITOR NO.	REPLACES
-------------	----------

R307867 (Steel)	Peterbilt 03-06747R 03-02559R Casting No.125A4AA
---------------------------	--



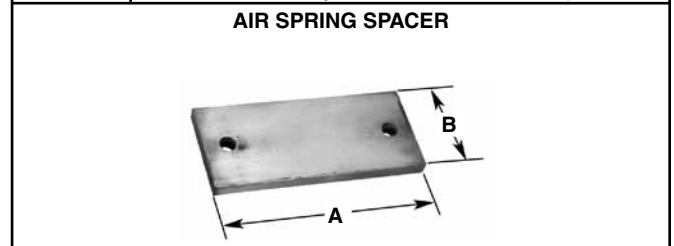
MERITOR NO.	REPLACES	O.D.	I.D.	O.A.L.
-------------	----------	------	------	--------

R307855 (Rubber)	Peterbilt 03-04623	1 7/8"	1 1/16"	5 1/8"
----------------------------	--------------------	--------	---------	--------



MERITOR NO.	REPLACES	INCLUDES	O.A.L.
-------------	----------	----------	--------

R307868	Peterbilt 27-00173 27-00311-008 27-00304-008	1 Stud* 1 Nut* 1 Washer* * (Not Sold Separately)	5"
----------------	---	---	----




MERITOR NO.	REPLACES	THICK	A	B	LENGTH Center-to-Center
-------------	----------	-------	---	---	-------------------------

R307865	Peterbilt 03-03846	1/2"	8"	3 1/2"	6 3/16"
----------------	--------------------	------	----	--------	---------


PETERBILT "LOW AIR LEAF" SUSPENSION PARTS

SPRING EYE BUSHING KIT



MERITOR NO.	REPLACES	QTY.	MERITOR NO.	DESCRIPTION
R307840	Peterbilt	2	R307841	Spring Eye Bushing
	03-05101	1	N.S.S.*	Bolt
	03-01670	2	R304777	Washer
	03-05102	1	N.S.S.*	Sleeve
	03-01675	2	R304776	Hanger Bushing
	41NE1614	1	R304779	Nut
* (Not Sold Separately)				

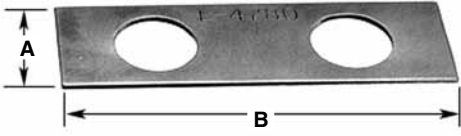
SPRING EYE BUSHING



MERITOR NO.	REPLACES	O.D.	I.D.
R307841 (Rubber)	Peterbilt 03-05101	2 1/2"	1 3/4"

1

SHIM




MERITOR NO.	REPLACES	I.D.	THICK	A	B
R307844 (Shown)	Peterbilt 03-05114-001	13/16"	1/16"	3 3/4"	1 1/4"
R307845	Peterbilt 03-054114-002		3/32"		

AIR SPRING STUD AND NUT ASSEMBLY



MERITOR NO.	REPLACES	INCLUDES	O.A.L.
R307851	Peterbilt 27-00972 27-00791-008	1 Mounting Stud* 1 Mounting Nut* * (Not Sold Separately)	6"

TORQUE ARM



Non Replaceable Bushings

MERITOR NO.	REPLACES	LENGTH Center-to-Center
R307853	Peterbilt 03-05108	25 5/8"

PETERBILT AIR RIDE SUSPENSION PARTS

MERITOR NO.	FOR MODEL	ITEM	QTY.	MERITOR NO.	REPLACES PETERBILT	DESCRIPTION
R304773	Peterbilt Air Ride	1	1	R304778	03-01668	Spring Eye Bolt
		2	2	R304777	03-01670	Spring Eye Washer
		3	2	R304776	03-01675	Spring Eye Washer
		4	2	R304775	03-01674	Spring Eye Bushing
		5	1	R304774	03-01669	Spring Eye Sleeve
		6	1	R304779	41NE1614	Spring Eye Nut

PETERBILT AIR RIDE SUSPENSION PARTS



MERITOR NO.	REPLACES	O.D.	I.D.	LENGTH
R304774	Peterbilt 03-01669	1 3/4"	1 1/8"	5 3/4"



MERITOR NO.	REPLACES	O.D.	I.D.	THICK
R304776 (Poly)	Peterbilt 03-01675	2 5/8"	1 3/4"	15/16"



MERITOR NO.	REPLACES	LENGTH Center-to-Center	HOLE DIA.	FOR MODEL
R304771	Peterbilt 03-04059	23"	5/8"	"Air Trac" Air Ride
R305082	Peterbilt 03-04119	17 11/32"	5/8"	"Air Trac" Air Ride
R305083	Peterbilt 03-04327	17 11/32"	3/4" / 5/8"	



MERITOR NO.	REPLACES	LARGE O.D.	LENGTH Center-to-Center
R302225 (Rubber)	Peterbilt 227710	2 17/32"	4 3/8"
R307638 (Poly)			



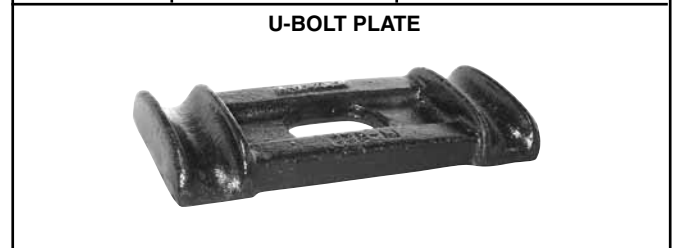
MERITOR NO.	REPLACES	O.D.	I.D.	LENGTH
R304775 (Rubber)	Peterbilt 03-01674	2 1/2"	1 3/4"	2 3/4"
R307509 (Poly)				



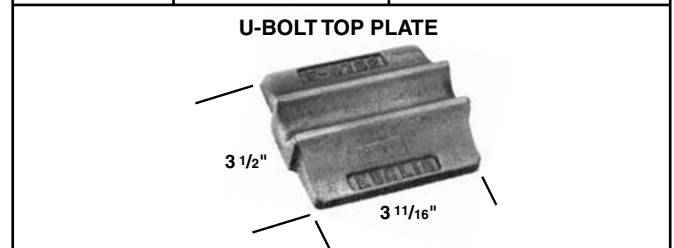
MERITOR NO.	REPLACES	O.D.	I.D.	THICK
R304777	Peterbilt 03-01670	3 5/16"	1"	9/16"



MERITOR NO.	REPLACES	THICKNESS
R304780	Peterbilt 03-04959-001	1/16"



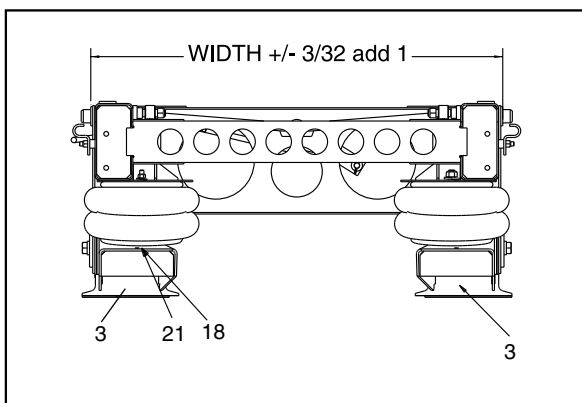
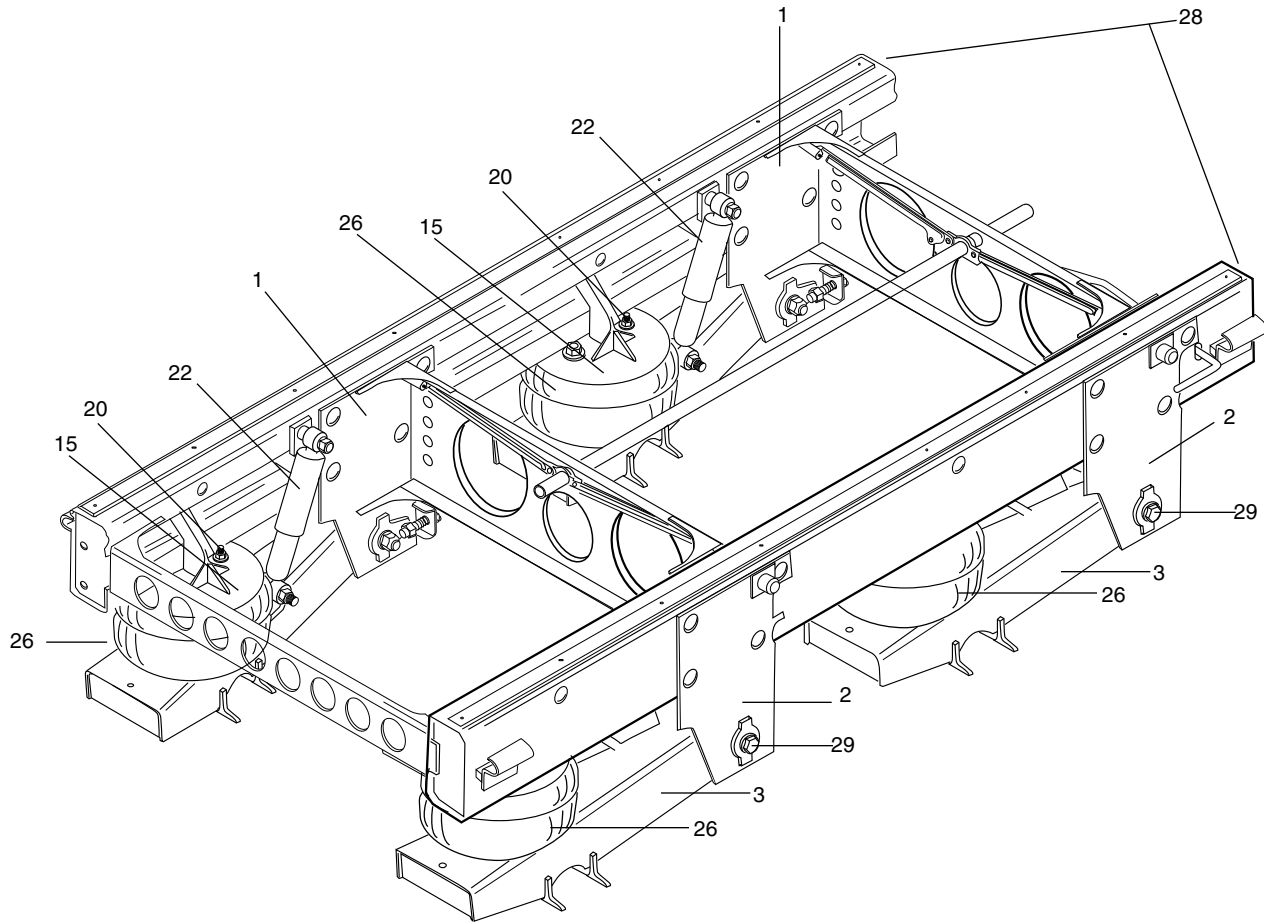
MERITOR NO.	REPLACES	GENERAL INFORMATION
R304781	Peterbilt 03-01656	Cast Iron



MERITOR NO.	REPLACES
R304782	Peterbilt 03-01657

REYCO/GRANNING 19AR/RS1062 SERIES SUSPENSION

Trailer



1

REYCO/GRANNING 19AR/RS1062 SERIES

SUSPENSION PARTS

Trailer

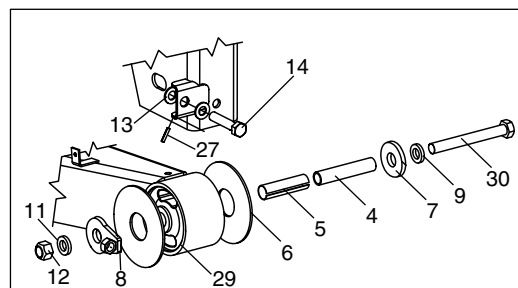
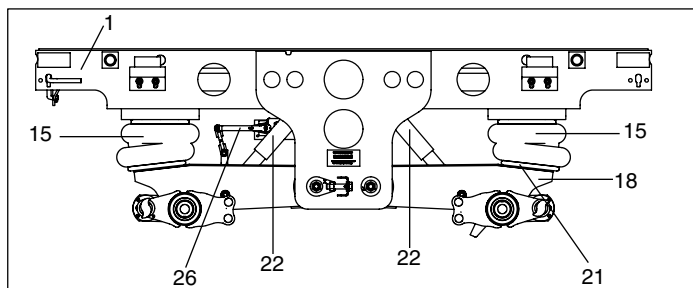
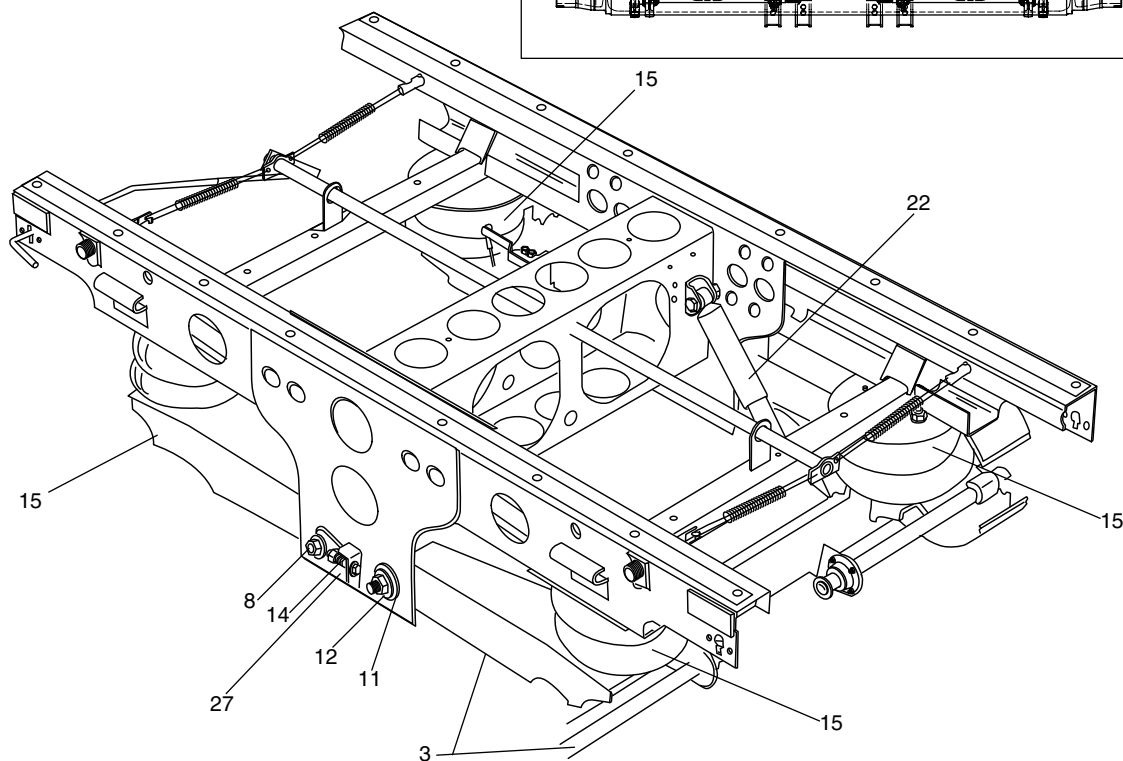
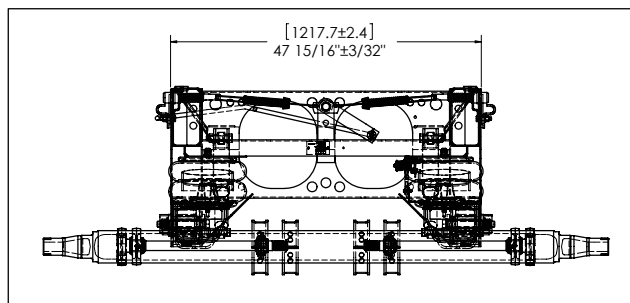
KEY NO.	MERITOR NO.	REPLACES REYCO NO.	DESCRIPTION	QTY. PER AXLE	PAGE NO.
1	S.O.S.	702308-11	Front Hanger	1	—
2	S.O.S.	702308-12	Front Hanger	1	—
3	S.O.S.	702247-01	Trailing Beam & Axle Assembly	1	—
4	S.O.S.	23427-01	Beam Spacer	4	—
5	S.O.S.	23432-02	Sleeve Cover (4.375)	2	—
6	S.O.S.	23674-02	Pivot Shaft Tube	2	—
7	S.O.S.	23656-01	Rey-Align Flange Washer	2	—
8	S.O.S.	23673-01	Rey-Align Assembly	2	—
9	S.O.S.	23952-01	Washer (7/8 ID)	4	—
10	S.O.S.	23286-02	Fnsh Hex Bolt (7/8-14UNG-2A) Grade 8	2	—
11	S.O.S.	20852-01	Washer (3/4 ID)	4	—
12	R301835	14345-01	Lock Nut (7/8-14UNF-2B) Class C	2	2-34
13	S.O.S.	24398-01	Rey-Align Bolt (3/4-10UNC) x 3.5 Long	2	—
14	S.O.S.	24453-01	Coiled Spring Pin	2	—
15	S.O.S.	703371-01	Upper Air Spring Support	2	—
16	S.O.S.	T-3164	Lock Washer 0.75 ID	2	—
17	S.O.S.	T-1705	Lock Washer 0.5 ID	2	—
18	S.O.S.	T-1859	Lock Washer 0.375 ID	4	—
19	S.O.S.	08211-01	Hex Nut (3/4-16UNF-2B) Class B	2	—
20	S.O.S.	12920-01	Hex Nut (1/2-13UNC-2B) Class B	2	—
21	S.O.S.	20029-01	Hex Nut (3/8-16UNC-2B) Class B	4	—
22	S.O.S.	24392-01 (New)	Shock Absorber	2	—
	85051	700098-03 (Old)			3-14
23	S.O.S.	12889-02	Fnsh Hex Bolt (3/4-16UNF-2A) Grade 8	4	—
24	R304961A	14344-01	Lock Nut (3/4-16UNF-2B) Class C	4	2-34
25	S.O.S.	700318-14	Height Control Valve	1	—
26	FS7555	20018-01	Air Spring	2	—
27	S.O.S.	17854-01	Hanger Gusset	2	—
28	—	—	Frame - Customer Supplied	1	—
29	S.O.S.	25770-01	Pivot Bushing	2	—

S.O.S. = Available through Meritor's S.O.S. Department

REYCO/GRANNING 20AR/RS3162 SERIES SUSPENSION

Trailer - Air Ride - Dockmaster II

1



REYCO/GRANNING 20AR/RS3162 SERIES

SUSPENSION PARTS

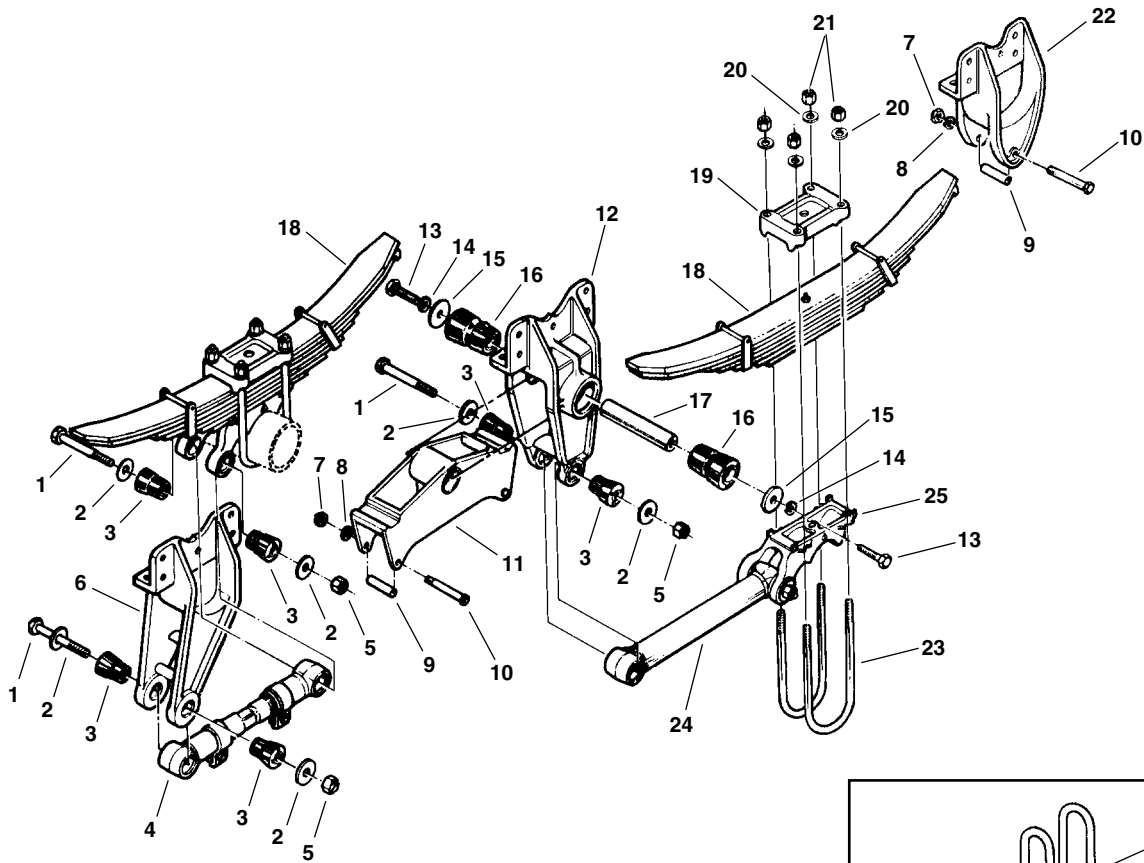
Trailer - Air Ride - Dockmaster II

KEY NO.	MERITOR NO.	REPLACES REYCO NO.	DESCRIPTION	QTY PER AXLE	PAGE NO
1	S.O.S.	704609-04	Subframe	1	—
2	S.O.S.	704640-01	Trailing Beam & Axle Assy-Front	1	—
3	S.O.S.	704641-01	Trailing Beam & Axle Assy-Rear	1	—
4	S.O.S.	23674-02	Pivot Shaft Sleeve	4	—
5	S.O.S.	23432-02	Sleeve Cover (4.375")	4	—
6	S.O.S.	23427-01	Beam Spacer	8	—
7	S.O.S.	23656-02	Rey-Align Flange Washer	6	—
8	S.O.S.	23673-02	Rey-Align Assembly	2	—
9	R302546	T7292	Washer (7/8" I.D.)	4	2-35
10	S.O.S.	23286-02	Hcs (7/8"-14Unf-2A X 7.5 Lg) Grade 8	4	—
11	S.O.S.	23952-01	Disc Spring Washer (7/8" I.D.)	4	—
12	R301835	14345-01	Lock Nut (7/8"-14Unf-2B)	4	2-34
13	S.O.S.	20852-01	Washer (3/4" I.D.)	4	—
14	S.O.S.	24398-01	Rey-Align Adjustment Shaft	2	—
15	FS7555	20018-01	Air Spring Assembly	4	—
16	S.O.S.	T1705	0.5" I.D. Lock Washer	4	—
17	S.O.S.	T3164	0.75 I.D. Lock Washer	4	—
18	S.O.S.	T1859	0.375 I.D. Lock Washer	8	—
19	S.O.S.	0821101	Hex Nut (3/4"-16Unf-2B) Class B	4	—
20	S.O.S.	1292001	Hex Nut (1/2"-13Unc-2B) Class B	4	—
21	S.O.S.	20029-01	Hex Nut (3/8"-16Unc-2B) Class B	8	—
22	83207	18163-01	Shock Absorber	4	3-14
23	S.O.S.	1811601	Hcs (3/4"-16Unf-2A X 3.5 Lg) Grade 8	4	—
24	S.O.S.	12889-02	Hcs (3/4"-16Unf-2A X 10 Lg) Grade 8	4	—
25	R304961A	14344-01	Lock Nut (3/4"-16Unf-2B) Class C	8	2-34
26	S.O.S.	706235-01	Height Control Valve-Hadley 1500	1	—
27	S.O.S.	24453-01	Coiled Spring Pin	2	—
28	S.O.S.	D706110	Pivot Nut Torque Decal	2	—
29	S.O.S.	25770-01	Pivot Bushing, 4 1/2" Width	2	—
30	S.O.S.	23286-02	Pivot Shaft	2	—

S.O.S. = Available through Meritor's S.O.S. Department

REYCO/GRANNING 21B SERIES SUSPENSION

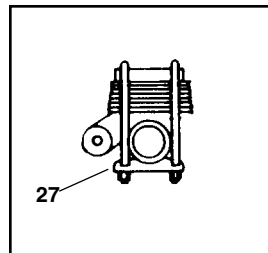
Trailer



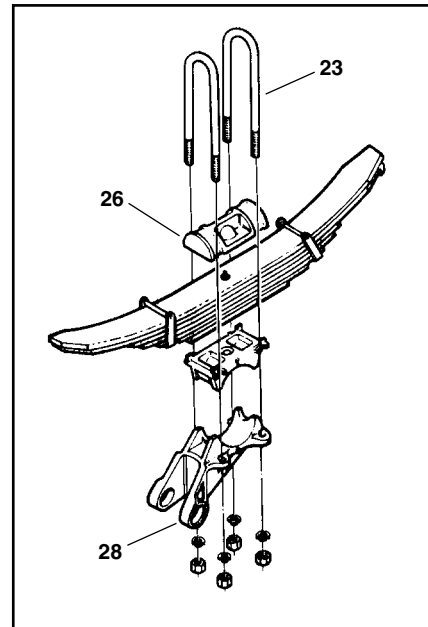
LEAF SPRING REFERENCES

SRI No.

TRA 2291	3 Leaf
TRA 2256	7 Leaf
TRA 2283	7 Leaf
TRA 2270	8 Leaf
TRA 2297	9 Leaf



Inverted U-Bolts



Inverted U-Bolts
No Hops

REYCO/GRANNING 21B SERIES SUSPENSION PARTS

Trailer

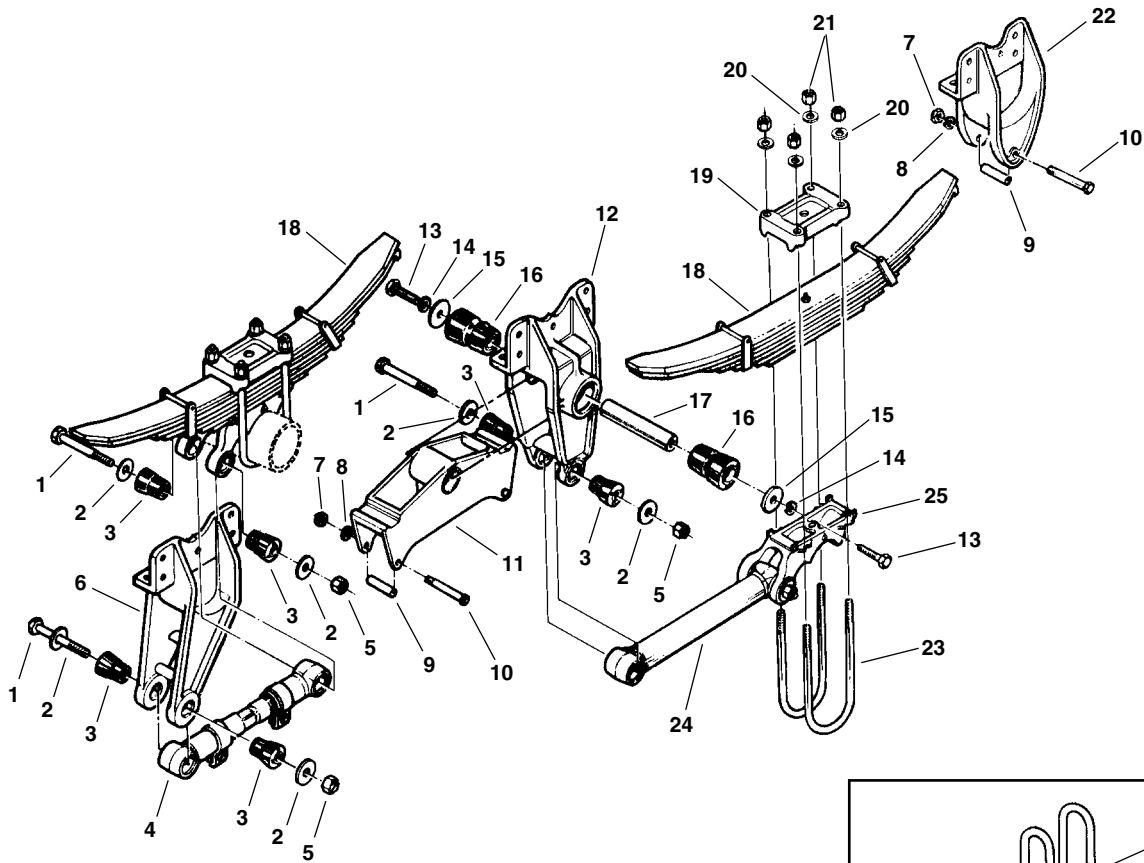
KEY NO.	MERITOR NO.	REPLACES REYCO NO.	DESCRIPTION	QUANTITY PER TANDEM	PAGE NO.
1	R301166	T-5492	Bolt	8	2-32
2	R30907	T-2224	Washer	16	2-35
3	R301160 (Rubber)	T-5493	Torque Arm Bushing	16	1-560
	R307523 (Poly)				1-560
4	R303283A	15172-01	Adjustable Torque Arm without Bushings, Front	1	1-568
	R303284A	15173-01	Adjustable Torque Arm without Bushings, Rear	1	1-568
5	R301828	T-5495	Nut	8	2-34
—	R301312A (Rubber)	TK-18997	Torque Arm Bushing Assembly Includes Key Nos. 1, 2, 3, 5.	8	1-558
	R309545 (Poly)				
6	R302880	T-5425	Front Hanger, Left, Flange Mount	1	1-570
	R302879	T-5424	Front Hanger, Right, Flange Mount	1	1-570
	R305257	T-5563	Front Hanger, Left, Under Mount	1	1-570
	R305258	T-5562	Hanger, Right, Under Mount	1	1-570
7	R005032	T-1704	Nut	6	2-34
8	R301974	T-2248	Lock Washer	6	1-589
9	R301971	T-2106	Spring Roller	6	1-563
10	R301972	T-5544	Bolt	6	2-32
—	R301975	TK19011	Spring Roller Assembly Includes Key Nos. 7, 8, 9, 10.	6	1-562
11	R302846A	21725-01	Equalizer without Bushing, Standard, 49" Spacing	2	1-552
	R3010768A	25222-01	Heavy-Duty Equalizer with Bump Stop-44" Axle Spacing, Will Need Kit 700073 for Bump Stop	2	1-552
12	R302881	T-5426	Center Hanger, Flange Mount	2	1-570
	R305259	T-5564	Center Hanger, Under Mount		
13	R301987	14248-02	Equalizer Shaft Lock Screw, 1" Diameter	4	2-32
14	R303975	14250-01	Lock Washer, 1" Diameter	4	—
15	R301986A	14249-01	Washer, 1 1/16" Hole Diameter	4	2-35
16	R301159 (Rubber)	T-5524	Equalizer Bushing	4	1-555
	R308653 (Poly)				1-555
17	R303972	14247-02	Equalizer Shaft , 1" Diameter Holes	2	1-557
—	R303976 (Rubber)	TK18998	Equalizer Bushing Assembly Includes Key Nos. 13, 14, 15, 16, 17.	2	1-554
	R309555 (Poly)				
18	S.O.S.	Various	Spring	4	—
19	R302875	T-7175 T-5488	Top Plate - 5" Round Axle	4	1-564
	R309554	T-1734	Top Plate - 5" Square Axle		
20	R302546	T-7292	Washer	16	2-35
21	R303001	T-5497	Hi Nut	16	2-34
22	R302883	T-5429	Rear Hanger, Left, Flange Mount	1	1-570
	R302882	T-5428	Rear Hanger, Right, Flange Mount	1	1-570
	R305260	T-5565	Rear Hanger, Left, Under Mount	1	1-570
	R305261	T-5566	Rear Hanger, Right, Under Mount	1	1-570

S.O.S. = Available through Meritor's S.O.S. Department

Continued on next page

REYCO/GRANNING 21B SERIES SUSPENSION

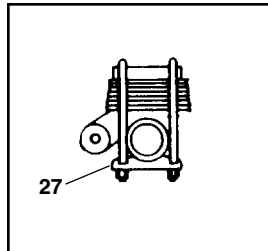
Trailer



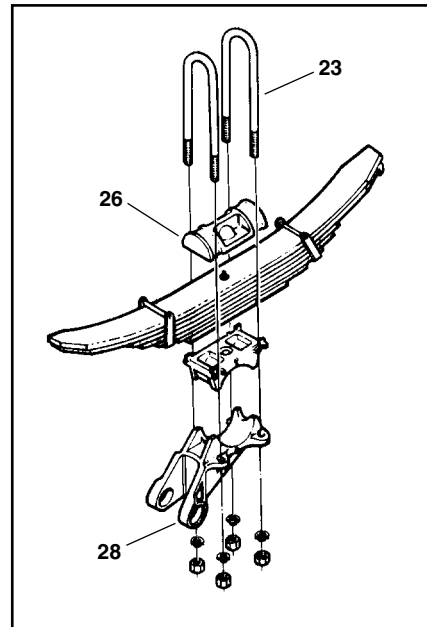
LEAF SPRING REFERENCES

SRI No.

TRA 2291	3 Leaf
TRA 2256	7 Leaf
TRA 2283	7 Leaf
TRA 2270	8 Leaf
TRA 2297	9 Leaf



Inverted U-Bolts



Inverted U-Bolts
No Hops

REYCO/GRANNING 21B SERIES SUSPENSION PARTS

Trailer

KEY NO.	MERITOR NO.	REPLACES REYCO NO.	DESCRIPTION	QUANTITY PER TANDEM	PAGE NO.
23	R30U5165-14	Various	U-Bolt Assembly, Rd. Bend, 7/8"-14 Thd. x 5" Wide x 14" Long	8	2-27
	R30U5165-18		U-Bolt Assembly, Rd. Bend, 7/8"-14 Thd. x 5" Wide x 18" Long		2-27
	R30U5161-14		U-Bolt Assembly, Rd. Bend, 7/8"-14 Thd. x 3" Wide x 14" Long		2-27
	R30U5161-18		U-Bolt Assembly, Rd. Bend, 7/8"-14 Thd. x 3" Wide x 18" Long		2-27
24	R302855	15178-01 T-7635	Rigid Torque Arm without Bushings, Front	1	1-569
	R302856	15179-01 T-2293	Rigid Torque Arm without Bushings, Rear	1	1-569
25	R305254	09730-01	Axle Seat, 5" Round Axle, 3/4" High	4	1-567
	R309573	07980-01	Axle Seat, 5" Square Axle, 3/4" High		
26	R302873	08677-01	Top Plate	4	1-564
27	R302874	09139-01	Bottom Plate, 5" Round Axle	4	1-564
28	R309572	08061-01	Stabilizer, 5" Square Axle	4	1-567
	R309558	08480-01	Stabilizer, 5" Round Axle		
—	R309559	11851-01	Equalizer Stiffener Plate		1-557
—	R309560	11852-01	Equalizer Wear Pad		1-557
—	R309561	15630-01	Equalizer Wear Pad	As Required	1-557
—	R309562	T-7555	Spacer, 1/2"		1-565
—	R309563	T-7716	Spacer, 1"		1-565
—	R309564	T-7654	Spacer, 1 1/2"		1-565
—	R302878	T-7655	Spacer, 2"		1-565

S.O.S. = Available through Meritor's S.O.S. Department

S.O.S. Special Order Service

Can't find it? Trouble sourcing products? Need assistance?

Let Meritor's Special Order Service (S.O.S.) help you find your Reyco parts.

Meritor's position as the market leader provides you access to a comprehensive array of truck parts products from the industry's leading manufacturers. Through Meritor, these entire product lines are available to you just by placing a phone call to Meritor's S.O.S. Department.

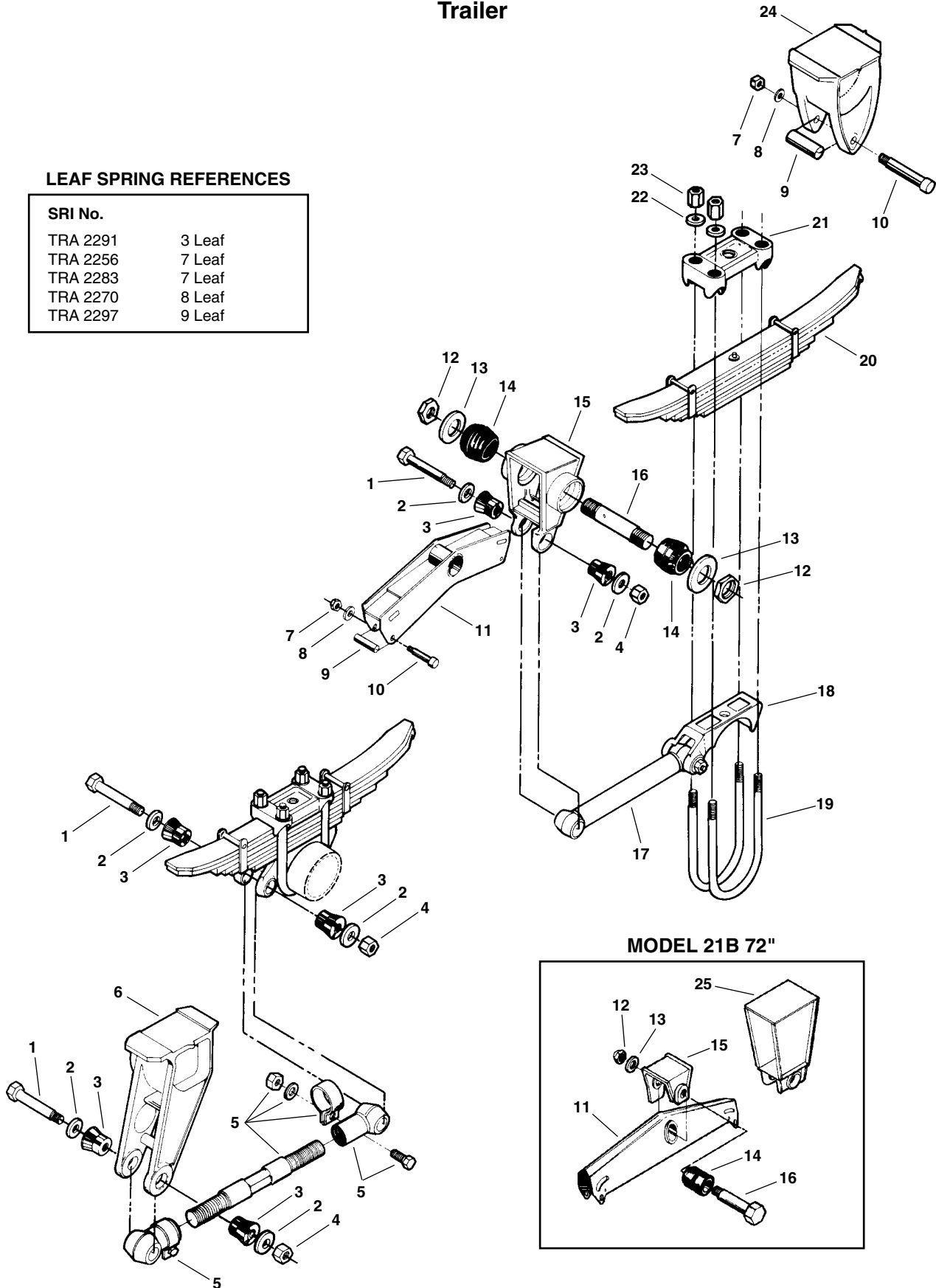
REYCO/GRANNING 21B WIDESPREAD SUSPENSION

Tandem 60" & 72" Widespread Axle Spacing Trailer

LEAF SPRING REFERENCES

SRI No.

TRA 2291	3 Leaf
TRA 2256	7 Leaf
TRA 2283	7 Leaf
TRA 2270	8 Leaf
TRA 2297	9 Leaf



REYCO/GRANNING 21B WIDESPREAD SUSPENSION PARTS

Tandem 60" & 72" Widespread Axle Spacing
Trailer

KEY NO.	MERITOR NO.	REPLACES REYCO NO.	DESCRIPTION	QUANTITY PER TANDEM	60" SPRD.	72" SPRD.	PAGE NO.
1	R301166	T-5492	Bolt	8	X	X	2-32
2	R30907	T-2224	Washer	16	X	X	2-35
3	R301160 (Rubber)	T-5493	Torque Arm Bushing	16	X	X	1-560
	R307523 (Poly)						1-560
4	R301828	T-5495	Nut	8	X	X	2-34
—	R301312A (Rubber)	TK-18997	Torque Arm Bushing, Includes Key No. 1,2,3,4	8	X	X	1-558
	R309545 (Poly)						
5	R303283A	15172-01	Adjustable Torque Arm, Front, 15 1/2" to 17 1/2" Center-to-Center	2	X	X	1-568
	R302855	T-7635	Rigid Torque Arm, Front, 16 1/4" Center-to-Center	2	X	X	1-569
6	R305257	T-5563	Front Hanger, Cast, Left	1	X	X	1-570
	R305258	T-5562	Front Hanger, Cast, Right	1	X	X	1-570
	R309537	09832-01	Front Hanger, Fabricated	2	X	X	1-571
—	R301975	TK19011	Spring Roller Assembly, Contains Key Nos. 7,8,9,10	6	X		1-562
7	R005032	T-1704	Nut	6	X	X	2-34
8	R301974	T-2248	Lock Washer	6	X	X	1-589
9	R301971	T-2106	Roller	6	X	X	1-563
10	R301972	T-5544	Bolt	6	X	X	2-32
11	R305245	09713-01	Equalizer for Cast Suspensions	2	X		1-553
	R307710	14696-01	Equalizer for Fabricated Suspensions, Includes Bushing		X		1-553, 2-72
	R305246	11143-01	Equalizer for Cast Suspensions			X	1-553
	S.O.S.	14763-01	Equalizer for Fabricated Suspensions, Includes Bushing			X	—
—	R302116A	—	Equalizer Bushing Assembly for Cast Suspensions Contains Key Numbers 12, 13, 14, 15	2	X		1-554
	R305247	—	Equalizer Bushing Assembly for Cast Suspensions Contains Key Numbers 12, 13, 14, 16	2		X	1-554
—	R309538	—	Equalizer Bolt Kit	2	X		1-557
12	R303979	11129-01	Lock Nut for Cast Suspensions	4	X		1-557
	S.O.S.	11149-01		2		X	—
	R302854	08914-01	Lock Nut for Fabricated Suspensions	2	X	X	2-34
13	S.O.S.	T-2103	Washer, Cast Suspensions Only	4	X		—
14	R301072	T-3214	Equalizer Bushing	2		X	1-556
	R30813 (Rubber)	T-2102	Equalizer Bushing for Cast Suspensions	4	X		1-555
	R308691 (Poly)						
	R301072 (Rubber)	T-3214	Equalizer Bushing for Cast Suspensions	2		X	1-556
	R308688 (Poly)						
R307713 (Rubber)	14682-01	Equalizer Bushing for Fabricated Suspensions	2	X	X	1-555	
15	R305262	T-2212-5	Center Hanger, Under Mount, Cast	2	X		1-571
	R309539	14684-01	Center Hanger, Under Mount, Fabricated	2	X		1-571
	R305263	11150-01	Center Hanger, Under Mount, Cast	2		X	1-571
	S.O.S.	14688-01	Center Hanger, Under Mount, Fabricated	2		X	—

S.O.S. = Available through Meritor's S.O.S. Department

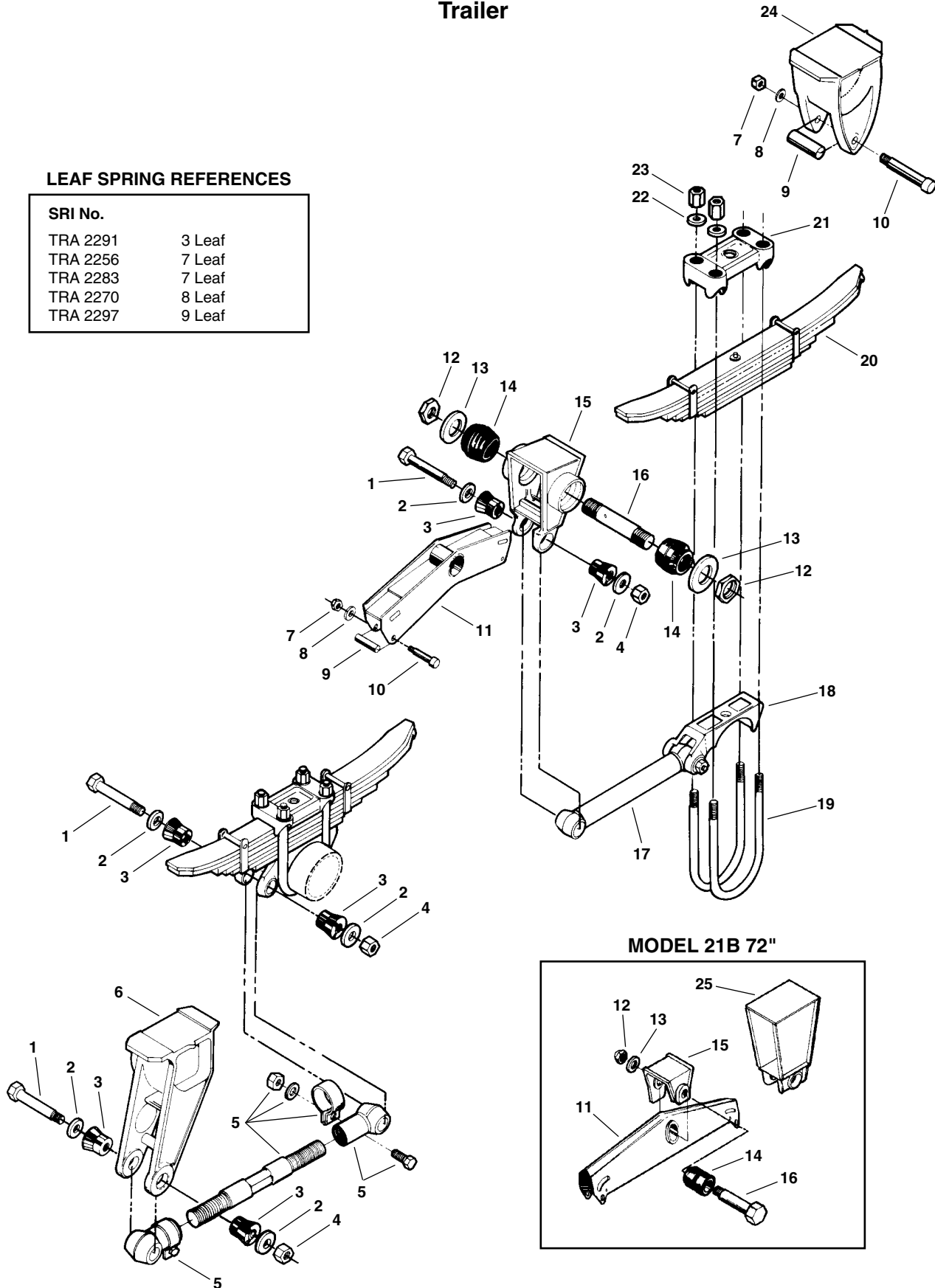
REYCO/GRANNING 21B WIDESPREAD SUSPENSION

Tandem 60" & 72" Widespread Axle Spacing Trailer

LEAF SPRING REFERENCES

SRI No.

TRA 2291	3 Leaf
TRA 2256	7 Leaf
TRA 2283	7 Leaf
TRA 2270	8 Leaf
TRA 2297	9 Leaf



REYCO/GRANNING 21B WIDESPREAD SUSPENSION PARTS

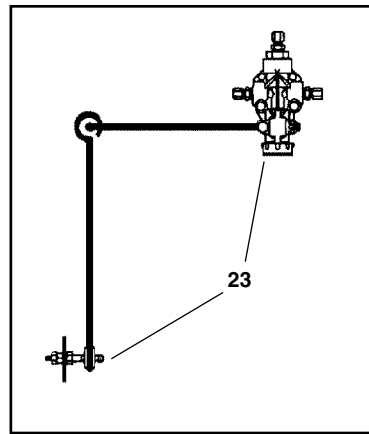
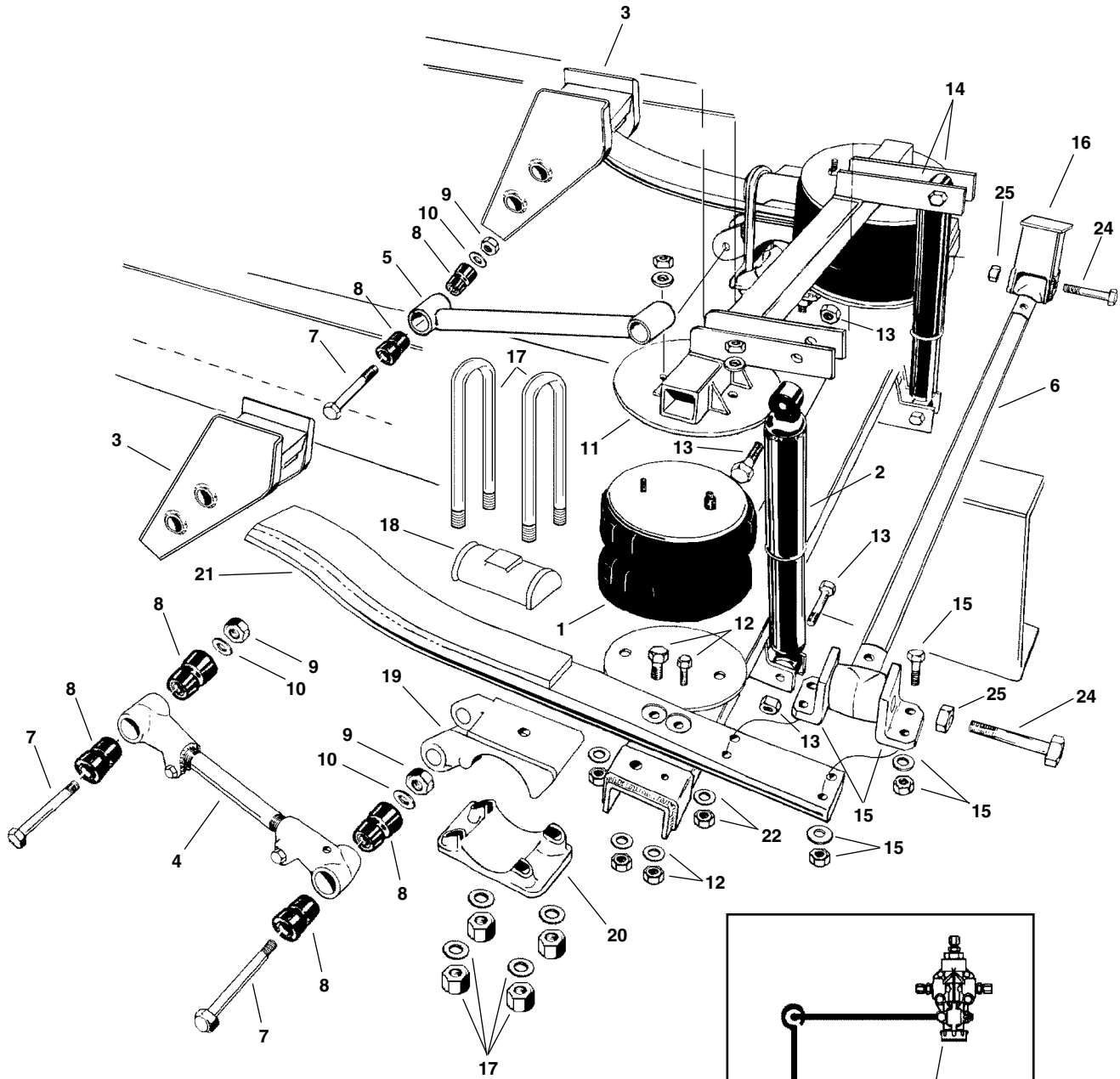
Tandem 60" & 72" Widespread Axle Spacing Trailer

KEY NO.	MERITOR NO.	REPLACES REYCO NO.	DESCRIPTION	QUANTITY PER TANDEM	60" SPRD.	72" SPRD.	PAGE NO.
16	R30837	T-2158	Equalizer Shaft for Cast Suspensions	2	X		—
	S.O.S.	11147-01	Equalizer Bolt for Cast Suspensions	2		X	—
	R307719	14683-01	Bolt for Fabricated Suspensions	2	X	X	1-557
17	R305255A	15176-01	Adjustable Torque Arm, Rear	1	X		1-568
		09682-01					
	R305256	09686-01	Rigid Torque Arm, Rear	1	X		1-569
	R303284A	15173-01	Adjustable Torque Arm, Rear	1		X	1-568
	S.O.S.	15286-01	Rigid Torque Arm, Rear	1		X	—
	R302856	T-2293	Rigid Torque Arm, Rear, Cast Suspensions	1		X	1-569
18	R305254	09730-01	Axle Seat for Cast Suspensions	4	X	X	1-567
	R309557	08757-01					
19	R30U5165-14	—	U-Bolt Assembly, Round Bend, 7/8"-14 Thd. x 5" Wide x 14" Long	8	X	X	2-27
	R30U5165-18	—	U-Bolt Assembly, Round Bend, 7/8"-14 Thd. x 5" Wide x 18" Long	8	X	X	2-27
20	S.O.S.	—	Spring	4	X	X	—
21	R302875	T-7175	Top Plate 5" Round for Fabricated Suspensions	4	X	X	1-564
22	R302545	T-5496	Washer	16	X	X	2-35
23	R303001	T-5497	Hi-Nut	16	X	X	2-34
24	R305260	T-5565	Rear Hanger, Under Mount, Cast, Left	1	X	X	1-570
	R305261	T-5566	Rear Hanger, Under Mount, Cast, Right	1	X	X	1-570
	R309541	08595-01	Rear Hanger, Under Mount, Fabricated	2	X	X	1-571
25	R305264	11610-01	Torque Arm Attachment Bracket	2		X	1-571

S.O.S. = Available through Meritor's S.O.S. Department

REYCO/GRANNING 21AR SERIES SUSPENSION

Trailer - Air



Height Control Valve & Linkage

1

REYCO/GRANNING 21AR SERIES SUSPENSION PARTS

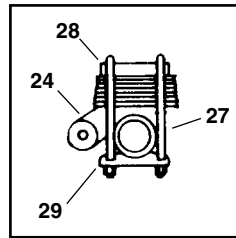
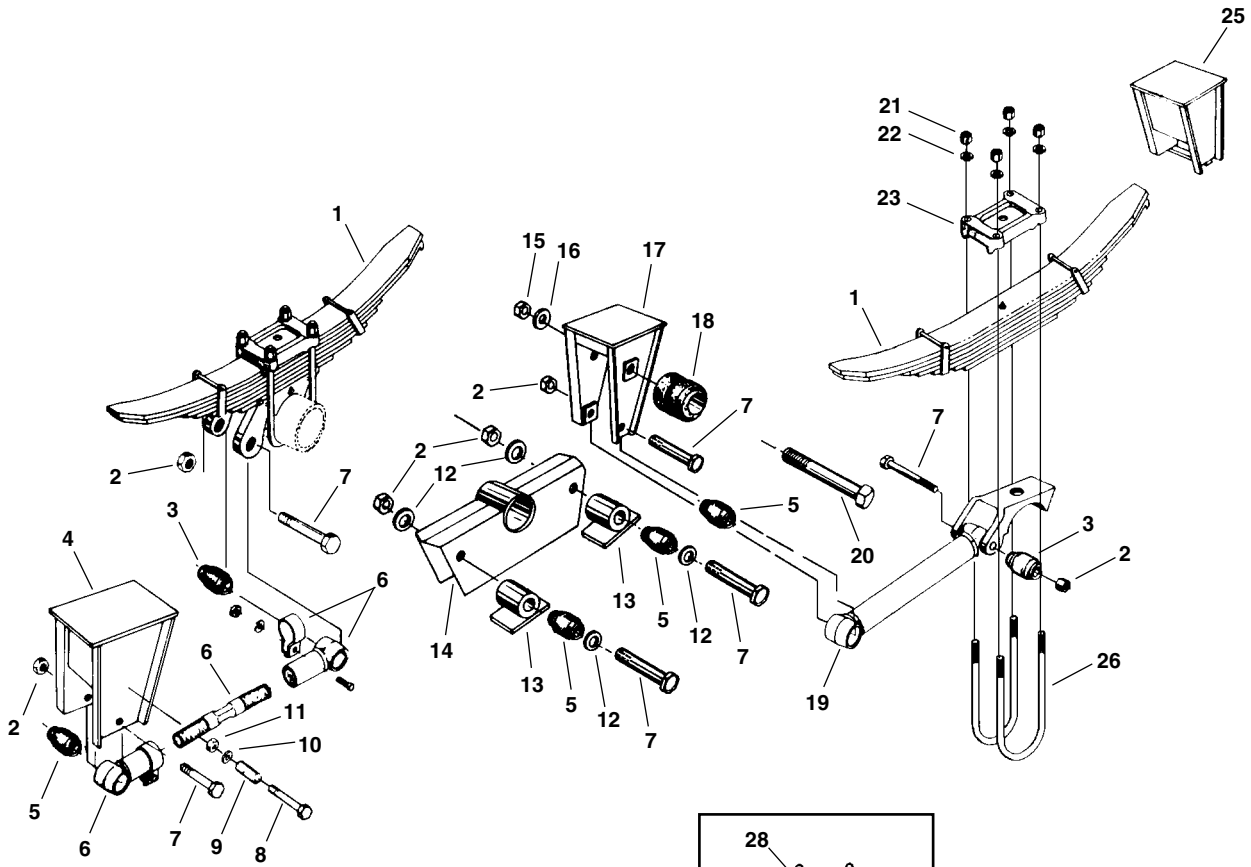
Trailer - Air

KEY NO.	MERITOR NO.	REYCO NO.	DESCRIPTION	QUANTITY PER TANDEM	PAGE NO.
1	FS7557	19983-01	Air Spring Assembly	4	—
2	85013	12887-01	Fleetline Shock Absorber	4	3-13
	89414		GasSLX Shock Absorber		
3	S.O.S.	21949-01	Hanger, Under Mount	4	—
4	R303283A	15172-01	Adjustable Torque Arm	2	1-568
5	R302855	15178-01	Rigid Torque Arm	2	1-569
6	S.O.S.	20012-01	Track Rod Rigid, 38" Frame Width	2	—
	S.O.S.	20969-01	Track Rod Rigid, 40" Frame Width		
	S.O.S.	20314-01	Track Rod Rigid, 42" Frame Width		
	S.O.S.	10910-01	Track Rod Rigid, 44" Frame Width		
7	R301166	T5492	Torque Arm Bolt, 1"-14 x 6 3/4"	8	2-32
8	R301160 (Rubber)	T-5493	Torque Arm Bushing	16	1-560
	R307523 (Poly)				1-560
9	R30937	T-5495	Torque Arm Nut, 1"-14	8	2-34
10	R30907	T-2224	Washer	16	2-35
—	R301312A (Rubber)	TK-18997	Torque Arm Bushing Assembly Includes Key Nos. 7,8,9,10	8	1-558
	R309545 (Poly)				
11	S.O.S.	17856-01	Upper Air Spring Mounting Plate	4	—
12	S.O.S.	20747-02	Lower Air Spring Support Assembly, 38" Frame Width	2	—
	S.O.S.	20878-02	Lower Air Spring Support Assembly, 40" Frame Width		
	S.O.S.	20270-02	Lower Air Spring Support Assembly, 42" Frame Width		
	S.O.S.	19915-02	Lower Air Spring Support Assembly, 44" Frame Width		
13	S.O.S.	08210-01	Shock Absorber Bolt, 3/4" Dia.	8	—
—	S.O.S.	14344-01	Nut, 3/4"	8	—
14	S.O.S.	21778-01	Upper Shock Mounting Bracket	8	—
15	R309358	21491-01	Track Rod Bracket, Lower Left Hand with Hardware	4	1-560
16	S.O.S.	18919-01	Track Rod Bracket, Upper Right Hand	4	—
17	R30U8161-14	18885-01	U-Bolt Assembly, Rd. Bend, 7/8"-14 Thd. x 3" Wide x 14" Long	8	2-25
	R30U8161-16	08498-01	U-Bolt Assembly, Rd. Bend, 7/8"-14 Thd. x 3" Wide x 16" Long		
18	R309553	20050-01	U-Bolt Top Plate	4	1-564
19	S.O.S.	20051-01	Axle Seat, Round Axle, 14" Mounting Height	4	—
	S.O.S.	11336-02	Axle Seat, Round Axle, 15 1/4" Mounting Height		
	S.O.S.	20051-03	Axle Seat, Round Axle, 16 1/2" Mounting Height		
20	R302909	0538-00	Bottom Plate, 5" Round Axle	4	1-564
21	R3010774	19879-01	Spring Beam, Left Hand	2	—
	R3010775	19880-01	Spring Beam, Right Hand	2	—
22	S.O.S.	T-1859	Lock washer, 3/8"	8	—
	S.O.S.	20029-01	Nut, 3/8"-16 Thd.	8	—
23	R3012525	23329-02	Height Control Valve, 3/8" Fitting, Includes Linkage	2	2-61
—	S.O.S.	23329-01	Height Control Valve, 1/4" Fitting	2	—
—	R304324	12915-03	Pressure Protection Valve, Includes Filter	2	2-56
—	S.O.S.	12915-04	Pressure Protection Valve Filter	2	—
24	R30901	10033-01	Track Rod Bolt, 7/8"-9 Thd. x 5 1/2"	2	2-32
25	R301835	10092-01	Track Rod Nut, 7/8"-14 Thd.	2	2-34

S.O.S. = Available through Meritor's S.O.S. Department

REYCO/GRANNING 73 SERIES WIDESPREAD SUSPENSION

Tandem 49" Axle Spacing Trailer



Inverted U-Bolts
Design

REYCO/GRANNING 73 SERIES WIDESPREAD SUSPENSION PARTS

Tandem 49" Axle Spacing Trailer

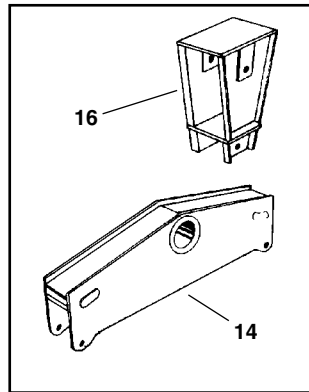
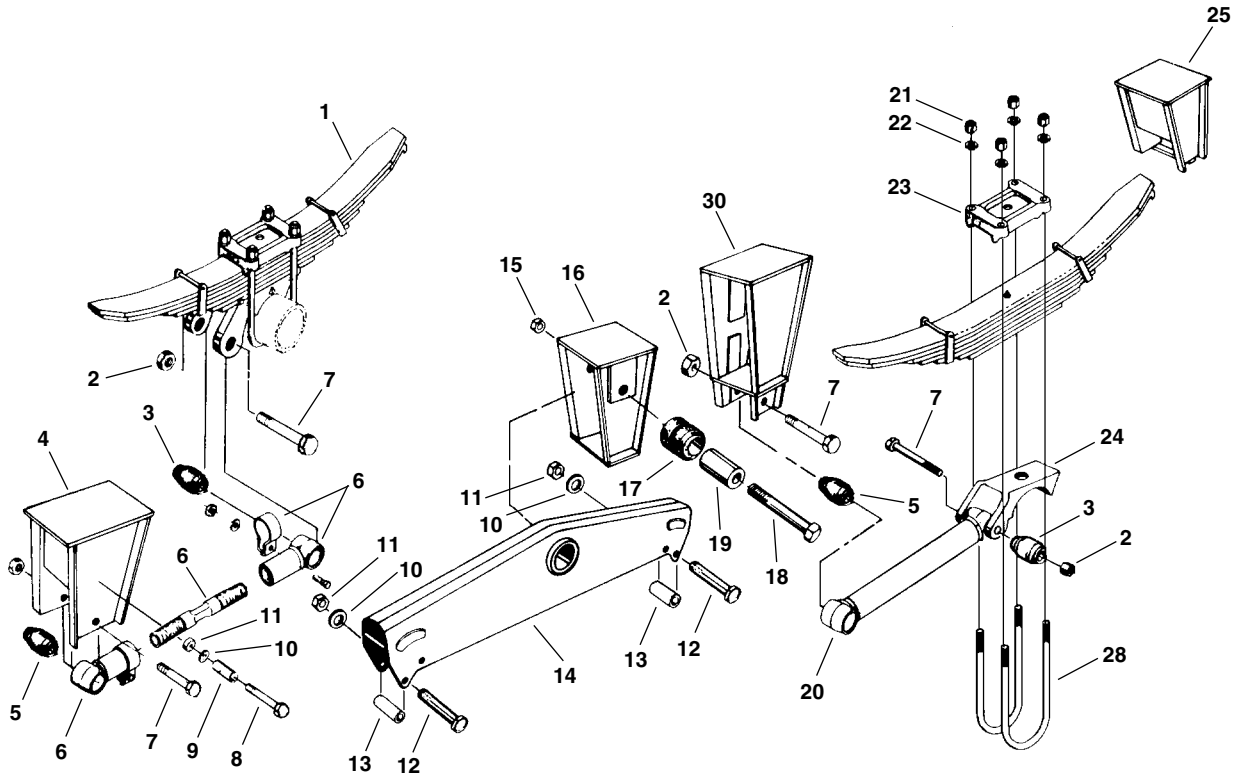
KEY NO.	MERITOR NO.	REPLACES REYCO NO.	DESCRIPTION	QUANTITY PER TANDEM	PAGE NO.
1	S.O.S.	Various	Spring	4	—
2	R302983	10092-01	Nut	12	2-34
3	R301980 (Rubber)	09729-01	Torque Arm Bushing	4	1-559
	R307520 (Poly)	09829-01			1-559
4	N/A	11387-01	Front Hanger	2	—
5	R307750	10051-01	Bushing	8	1-560
6	R307741	16031-01	Adjustable Torque Arm with Bushings, Front	1	1-568
	R307744	10040-01	Rigid Torque Arm with Bushings, Front	1	1-569
7	R30901	10033-01	Bolt	12	2-32
—	R307749	—	Torque Arm Bushing Assembly, Hanger End Includes Key Nos. 2, 5, 7.	4	1-558
—	R301981 (Rubber)	—	Torque Arm Bushing Assembly, Axle Seat End Includes Key Nos. 2, 3, 7.	4	1-558
	R309552 (Poly)				
8	R302022	T-5549	Bolt	2	2-32
9	S.O.S.	11703-01	Spring Roller	2	—
10	R301974	T-2248	Lock Washer	2	1-589
11	R005032	T-1704	Flat Wheel Nut	2	2-34
—	S.O.S.	—	Hanger Roller Assembly Includes Key Nos. 8, 9, 10, 11.	2	—
12	R302546	T-7292	Washer	4	2-35
13	R307717	10055-01	Equalizer Pad	4	1-556
14	N/A	10063-01	Equalizer with Bushing	2	—
15	R30937	T-5495	Nut	2	2-34
16	R302975	T-5770	Washer	2	2-35
17	N/A	11389-01	Center Hanger	2	—
18	R307712	T-3214	Equalizer Bushing	2	1-555
19	R307742	16032-01	Adjustable Torque Arm, Rear	1	1-568
—	S.O.S.	10041-01	Rigid Torque Arm, Rear	1	—
20	R301166	T-5492	Bolt	2	2-32
21	R303001	T-5497	Hi-Nut	16	2-34
22	R302545	T-5496	Washer	16	2-35
23	R302875	T-7175	Top Plate	4	1-564
24	N/A	T-3013	Axle Seat	4	—
25	N/A	12489-01	Rear Hanger	2	—
26	R30U8155-14	08554-01	U-Bolt Assembly, Rd. Bend, 3/4"-16 Thd. x 5" Wide x 14" Long	8	2-25
27	R30U8151-14	08541-01	U-Bolt Assembly, Rd. Bend, 3/4"-16 Thd. x 3" Wide x 14" Long	8	2-25
28	S.O.S.	11760-01	Top Plate	4	—
29	R302874	09139-01	Bottom Plate, Inverted U-Bolts	4	1-564

S.O.S. = Available through Meritor's S.O.S. Department

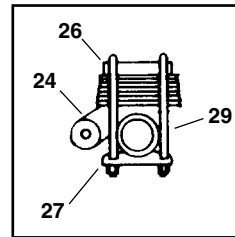
N/A = Reyco no longer manufactures. Parts not available thru S.O.S.

REYCO/GRANNING 73 SERIES WIDESPREAD SUSPENSION

Tandem 60" and 72" Axle Spacing Trailer



Hanger & Equalizer
for 60" Model



Inverted U-Bolts
Design

LEAF SPRING REFERENCES

SRI No.	
TRA 2291	3 Leaf
TRA 2256	7 Leaf
TRA 2283	7 Leaf
TRA 2270	8 Leaf
TRA 2297	9 Leaf

1

OBSOLETE

REYCO/GRANNING 73 SERIES WIDESPREAD SUSPENSION PARTS

Tandem 60" and 72" Axle Spacing Trailer

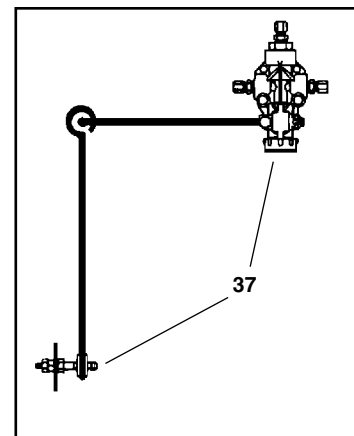
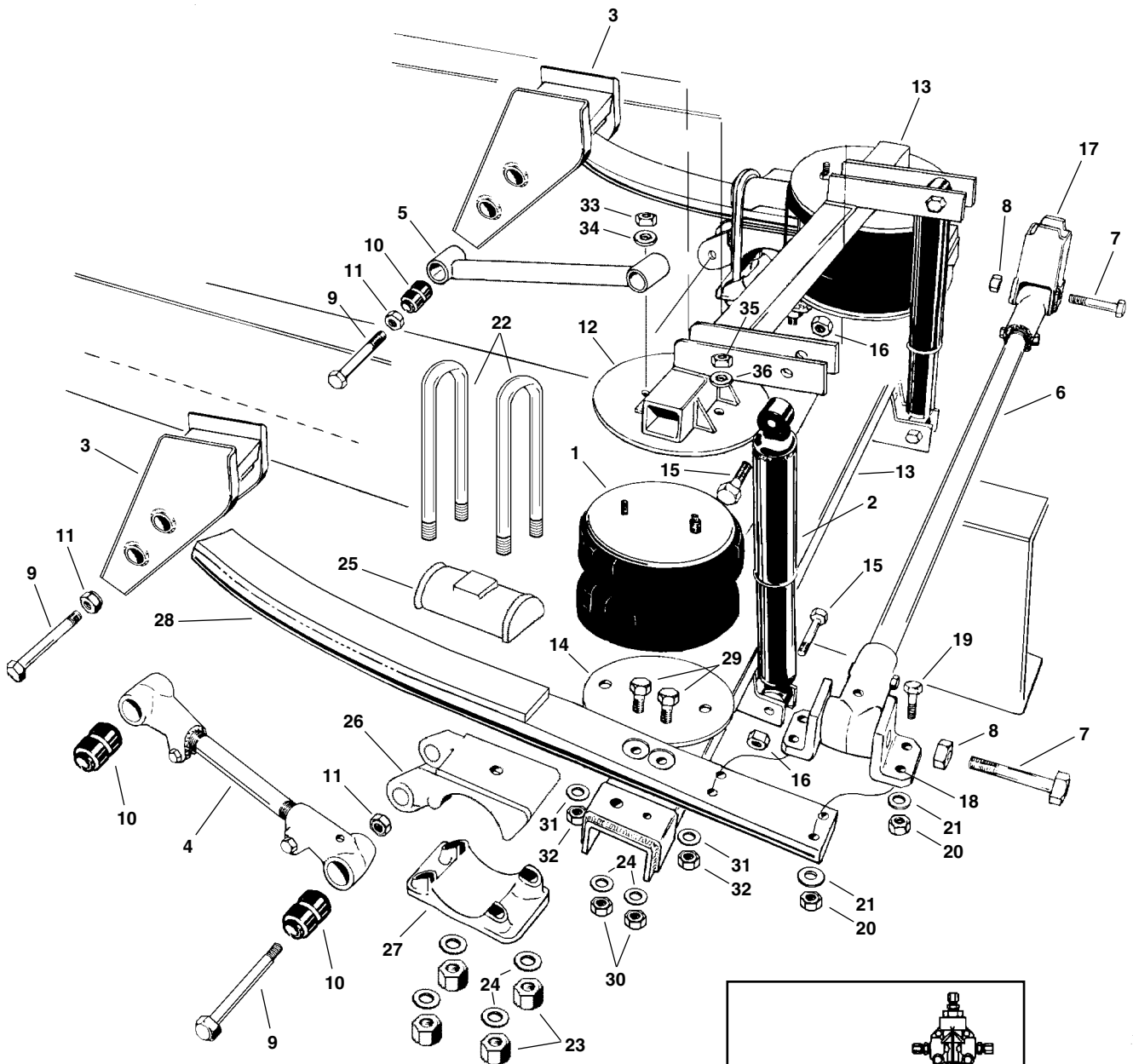
KEY NO.	MERITOR NO.	REPLACES REYCO NO.	DESCRIPTION	QUANTITY PER TANDEM	60"	72"	PAGE NO.
1	S.O.S.	Various	Spring	4	X	X	—
2	R302983	10092-01	Nut	4	X	X	2-34
3	R301980 (Rubber)	09729-01	Torque Arm Bushing	4	X	X	1-559
	R307520 (Poly)	09829-01					
4	N/A	09729-01	Torque Arm Bushing	2	X	X	1-559
4	N/A	11387-01	Front Hanger	2	X	X	—
5	R307750	10051-01	Torque Arm Bushing	4	X	X	1-560
6	R307741	16031-01	Adjustable Torque Arm with Bushing, Front	1	X	X	1-568
	R307744	10040-01	Rigid Torque Arm with Bushing, Front	1	X	X	1-569
7	R30901	10033-01	Bolt	8	X	X	2-32
—	R301981 (Rubber)	—	Torque Arm Bushing Assembly, Axle Seat End Includes Key Nos. 2, 3, 7.	4	X	X	1-558
	R309552 (Poly)						
8	R302022	T-5549	Bolt	2	X	X	2-32
9	S.O.S.	11703-01	Spring Roller, Hanger End	2	X	X	—
10	R301974	T-2248	Lock Washer	6	X	X	1-589
11	R005032	T-1704	Nut	6	X	X	2-34
12	R301972	T-5544	Bolt	4	X	X	2-32
13	R301971	T-2106	Spring Roller	4	X	X	1-563
—	R301975	TK19011	Spring Roller Assembly Includes Key Nos. 10, 11, 12, 13.	4	X	X	1-562
14	N/A	12419-01	Equalizer with Bushing	2	X		—
	R305246	11143-01				X	
15	R30937	T-5495	Nut	2	X	X	2-34
16	N/A	12369-01	Center Hanger	2	X		—
	N/A	12332-01		2		X	
17	R301072 (Rubber)	T-3214	Bushing	2	X	X	1-556
	R308688 (Poly)						
18	R301166	T-5492	Equalizer Bolt	2	X	X	2-32
19	N/A	—	Equalizer Bolt Kit, Includes Key Nos. 10, 11, 12, 13, 15, 18, 19.	2	X		—
	N/A				X		
20	R307742	16032-01	Adjustable Torque Arm with Bushings, Rear	1		X	1-568
	R307743	16034-01			X	1-568	
	R307744	10040-01	Rigid Torque Arm with Bushings, Rear	1		X	1-569
21	R303001	T-5497	Hi-Nut	16	X	X	2-34
22	R302545	T-5496	Washer	16	X	X	2-35
23	R302875	T-7175	Top Plate	4	X	X	1-564
24	N/A	T-3013	Axle Seat	4	X	X	—
25	N/A	12489-01	Rear Hanger	2	X	X	—
26	S.O.S.	11760-01	Top Plate	4	X	X	—
27	R302874	09139-01	Bottom Plate, Inverted U-Bolts	4	X	X	1-564
28	R30U8155-14	08554-01	U-Bolt Assembly, Rd. Bend, 3/4"-16 Thd. x 5" Wide x 14" Long	8	X	X	2-25
29	R30U8151-14	08541-01	U-Bolt Assembly, Rd. Bend, 3/4"-16 Thd. x 3" Wide x 14" Long	8	X	X	2-25
30	S.O.S.	15100-01	Torque Arm Bracket	2		X	—

S.O.S. = Available through Meritor's S.O.S. Department

N/A = Reyco no longer manufactures. Parts not available thru S.O.S.

REYCO/GRANNING 74AR SERIES SUSPENSION

Trailer - Air



Height Control Valve & Linkage

REYCO/GRANNING 74AR SERIES SUSPENSION PARTS

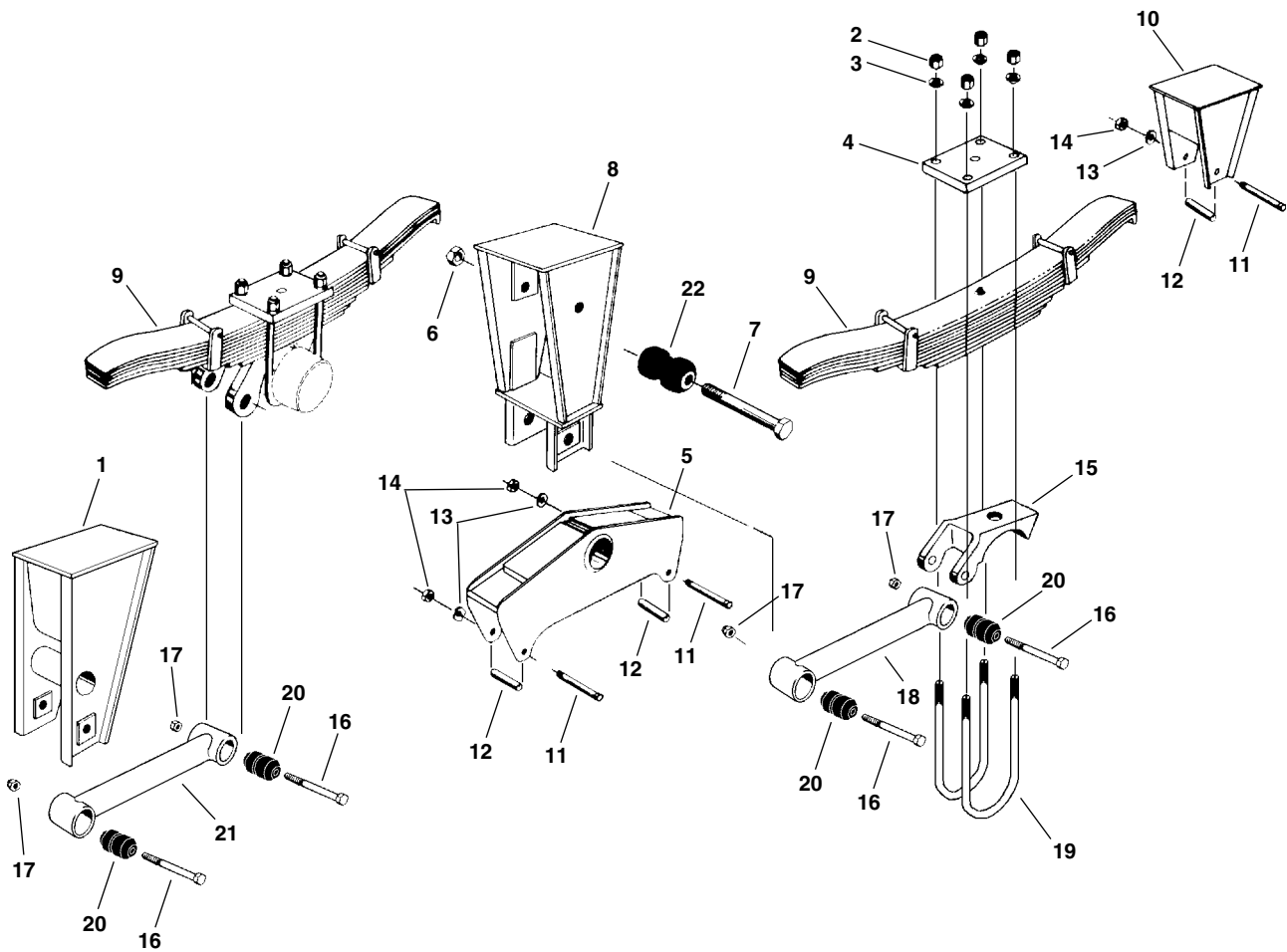
Trailer - Air

KEY NO.	MERITOR NO.	REPLACE REYCO NO.	DESCRIPTION	QUANTITY PER AXLE	QUANTITY PER TANDEM	PAGE NO.
1	FS7557	19983-01	Air Spring Assembly	2	4	—
2	85013	12887-01	Fleetline Shock Absorber	2	4	3-13
	89414		GasSLX Shock Absorber			
3	R309615	16671-01	Hanger, Under Mount	2	4	—
4	R309585	16585-01	Adjustable Torque Arm	1	2	1-568
5	R309584	16595-01	Rigid Torque Arm	1	2	1-568
6	S.O.S.	10910-01	Track Rod, Rigid	1	2	—
7	S.O.S.	10033-01	Track Rod Bolt	2	4	—
8	R301835	10092-01	Track Rod Nut, 7/8"	2	4	2-34
9	R301166	T-5492	Torque Rod Bolt	4	8	2-32
10	R309549	15737-01	Torque Rod Bushing	4	8	1-560
11	R30937	T-5495	Torque Rod Nut	4	8	2-34
—	R309587	—	Torque Rod Bushing Assembly Includes Key Nos. 9, 10, 11.	4	8	1-559
12	S.O.S.	17856-01	Upper Air Spring Mounting Plate	2	4	—
13	S.O.S.	19915-01	Front Lower Air Spring Support Assembly	0	1	—
	S.O.S.	19915-02	Rear Lower Air Spring Support Assembly	1	1	—
14	S.O.S.	19790-01	Lower Air Spring Mounting Plate	2	4	—
15	S.O.S.	08210-01	Shock Absorber Bolt, 3/4"-16 Thd. x 3" Long, Grade 5	4	8	—
16	R304961A	14344-01	Nut	4	8	2-34
17	S.O.S.	18919-01	Track Rod Hanger, Upper Right Hand	1	2	—
18	S.O.S.	21491-0	Track Rod Bracket, Lower Left Hand	1	2	—
19	S.O.S.	17353-01	Bolt, Track Rod Hanger	4	8	—
20	S.O.S.	17357-01	Nut, Track Rod Hanger	4	8	—
21	S.O.S.	10016-01	Washer, Track Rod Hanger	4	8	—
22	R30U8164-16	20996-08	U-Bolt Assembly, Round Bend, 7/8"-14 Thd. x 4" Wide x 16" Long	4	8	2-26
23	R303002A	—	Hi-Nut	8	16	2-34
24	R302546	T-7292	Washer	12	24	2-35
25	S.O.S.	20157-01	Top Plate	2	4	—
26	S.O.S.	19996-01	Axle Seat, 5" Round Axle, 15 1/4" Mounting Height	2	4	—
27	S.O.S.	19989-01	Bottom Plate, 5" Round Axle	2	4	—
28	S.O.S.	19897-01	Spring Beam Left Hand	1	2	—
	S.O.S.	19898-01	Spring Beam Right Hand	1	2	—
29	S.O.S.	18842-01	Bolt, 7/8"-14 Thd. x 3" Long, Grade 8	4	8	—
30	R301835	14345-01	Lock Nut	4	8	2-34
31	S.O.S.	T-1859	Lock Washer, 3/8"	4	8	—
32	S.O.S.	20029-01	UNC Nut, 3/8"-16	4	8	—
33	S.O.S.	12920-01	Nut, 1/2"	2	4	—
34	S.O.S.	T-1705	Lock Washer, 1/2"	2	4	—
35	S.O.S.	08211-01	Nut, 3/4"	2	4	—
36	S.O.S.	T-3164	Lock Washer, 3/4"	2	4	—
37	R3012525	23329-02	Height Control Valve, 3/8" Fitting, Includes Linkage	1	1	2-61
	S.O.S.	23329-01	Height Control Valve, 1/4" Fitting	1	1	—
—	R304324	12915-03	Pressure Protection Valve, Includes Filter	1	1	2-56
—	S.O.S.	12915-04	Pressure Protection Valve Filter	1	1	—

S.O.S. = Available through Meritor's S.O.S. Department

REYCO/GRANNING MODEL 74B SERIES TRAILER SUSPENSION

Tandem 50", 54", 60" Axle Spacing
Trailer



LEAF SPRING REFERENCES

SRI No.

TRA 2291	3 Leaf
TRA 2256	7 Leaf
TRA 2283	7 Leaf
TRA 2270	8 Leaf
TRA 2297	9 Leaf

REYCO/GRANNING MODEL 74B SERIES TRAILER SUSPENSION PARTS

Tandem 50", 54", 60" Axle Spacing Trailer

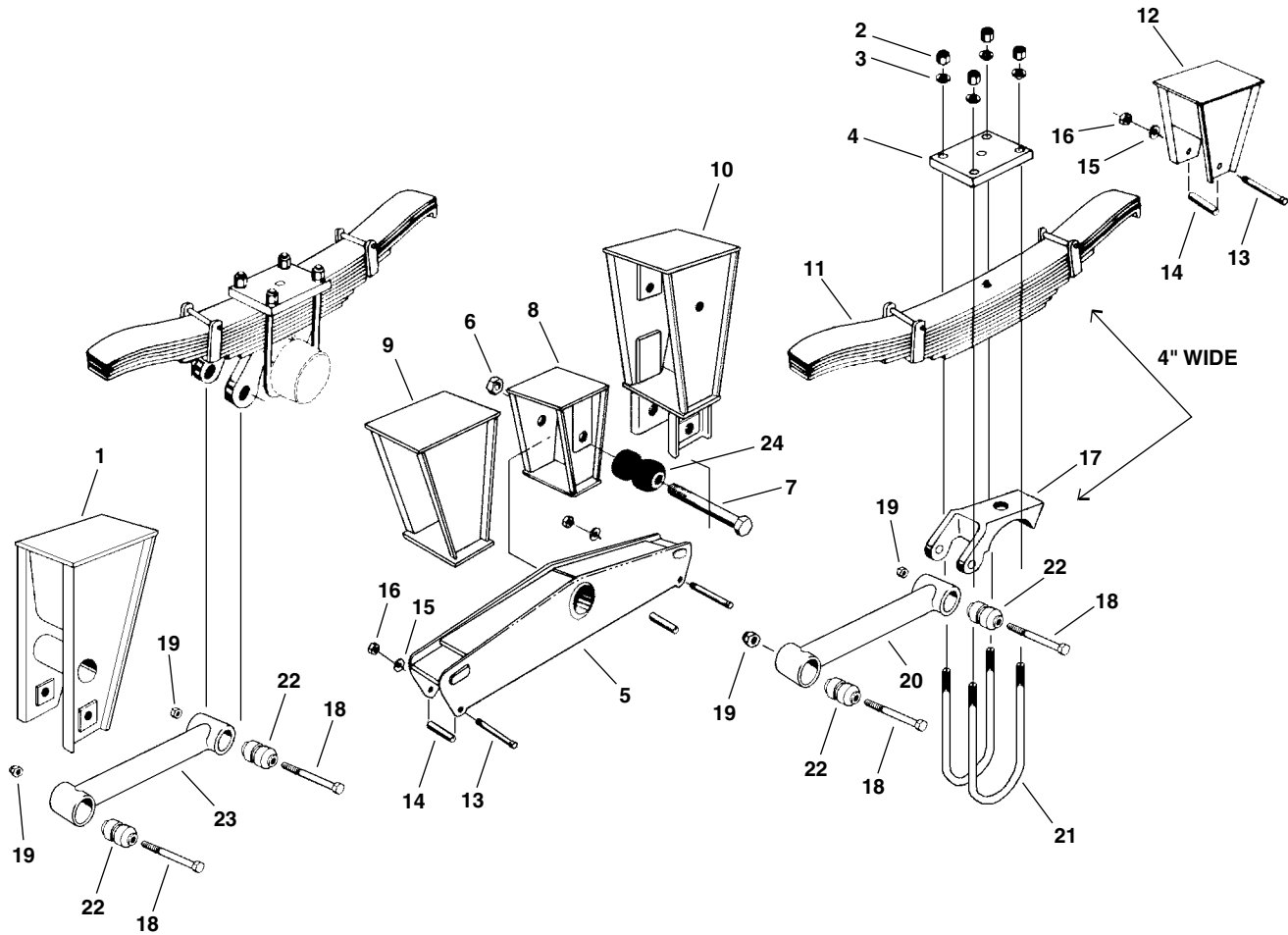
KEY NO.	MERITOR NO.	REPLACES REYCO NO.	DESCRIPTION	QUANTITY PER TANDEM	54"	60"	PAGE NO.
1	R309615	16671-01	Front Hanger	2	X	X	—
2	R303002A	14066-01	Hi-Nut	16	X	X	2-34
3	R302546	T-7292	Washer	16	X	X	2-35
4	R309616	13798-01	Top Plate, 5" Round Axle	4	X	X	—
	R309617	14527-01	Top Plate, 5 3/4" Round Axle		X	X	—
5	R309586	13806-01	Equalizer with Bushing	2	X		1-553
	S.O.S.	14135-01	Equalizer with Bushing			X	—
	S.O.S.	17512-01	Equalizer with Bushing, 50" Axle Spacing			—	
6	R302854	08914-01	Nut	2	X	X	2-34
7	R302852	10949-01	Equalizer Bolt	2	X	X	2-32
8	R309618	16672-01	Center Hanger	2	X	X	—
9	S.O.S.	Various	Spring	4	X	X	—
10	R309622	13814-01	Rear Hanger	2	X	X	—
11	S.O.S.	13817-01	Bolt	6	X	X	—
12	S.O.S.	13818-01	Spring Roller	6	X	X	—
13	R301974	T-2248	Lock Washer	6	X	X	1-589
14	R005032	T-1704	Nut	6	X	X	2-34
15	R309626	15751-01	Axle Seat, 5" Round Axle	4	X	X	—
	N/A	15752-01	Axle Seat, 5 3/4" Round Axle		X	X	—
16	R301166	T-5492	Bolt	8	X	X	2-32
17	R30937	T-5495	Nut	8	X	X	2-34
18	R309619	16588-01	Rigid Torque Arm Assembly, Rear, 21 1/4" Center-to-Center	1	X		1-568
	R309620	16596-01	Adjustable Torque Arm Assembly, Rear, 21 1/4" Center-to-Center		X		1-568
	S.O.S.	16589-01	Rigid Torque Arm Assembly, Rear, 21 1/4" Center-to-Center			X	—
	S.O.S.	16597-01	Adjustable Torque Arm Assembly, Rear, 21 1/4" Center-to-Center			X	—
	S.O.S.	17532-01	Rigid Torque Arm Assembly, Rear, 50" Axle Spacing, 19 1/4" Center-to-Center				—
	S.O.S.	17534-01	Adjustable Torque Arm Assembly, Rear, 50" Axle Spacing, 19 1/4" Center-to-Center				—
19	R30U8165-14	08513-01	U-Bolt Assembly, Rd. Bend, 7/8"-14 Thd. x 5" Wide x 14" Long	8	X	X	2-26
	N/A	08950-01	U-Bolt Assembly, Rd. Bend, 7/8"-14 Thd. x 5 3/4" Wide x 13 1/2" Long	8	X	X	—
20	R309549	15737-01	Torque Arm Bushing	8	X	X	1-560
—	R309587	—	Torque Arm Bushing Assembly, Includes Key Nos. 16, 17, 20	8	X	X	1-559
21	R309585	16585-01	Rigid Torque Arm Assembly, Front, 14 1/4" Center-to-Center	1	X	X	1-568
	R309584	16595-01	Adjustable Torque Arm Assembly, Front	1	X	X	1-568
22	R309550	13805-01	Equalizer Bushing	2	X	X	1-556
—	R309801	—	Equalizer Bushing Assembly, Key Nos. 6,7,22	2	X	X	—

S.O.S. = Available through Meritor's S.O.S. Department

N/A = Reyco no longer manufactures. Parts not available thru S.O.S.

REYCO/GRANNING MODEL 74B SERIES TRAILER SUSPENSION

Tandem 72", 77", 97", 109" Axle Spacing
Trailer



LEAF SPRING REFERENCES

SRI No.

TRA 2291	3 Leaf
TRA 2256	7 Leaf
TRA 2283	7 Leaf
TRA 2270	8 Leaf
TRA 2297	9 Leaf

REYCO/GRANNING MODEL 74B SERIES TRAILER SUSPENSION PARTS

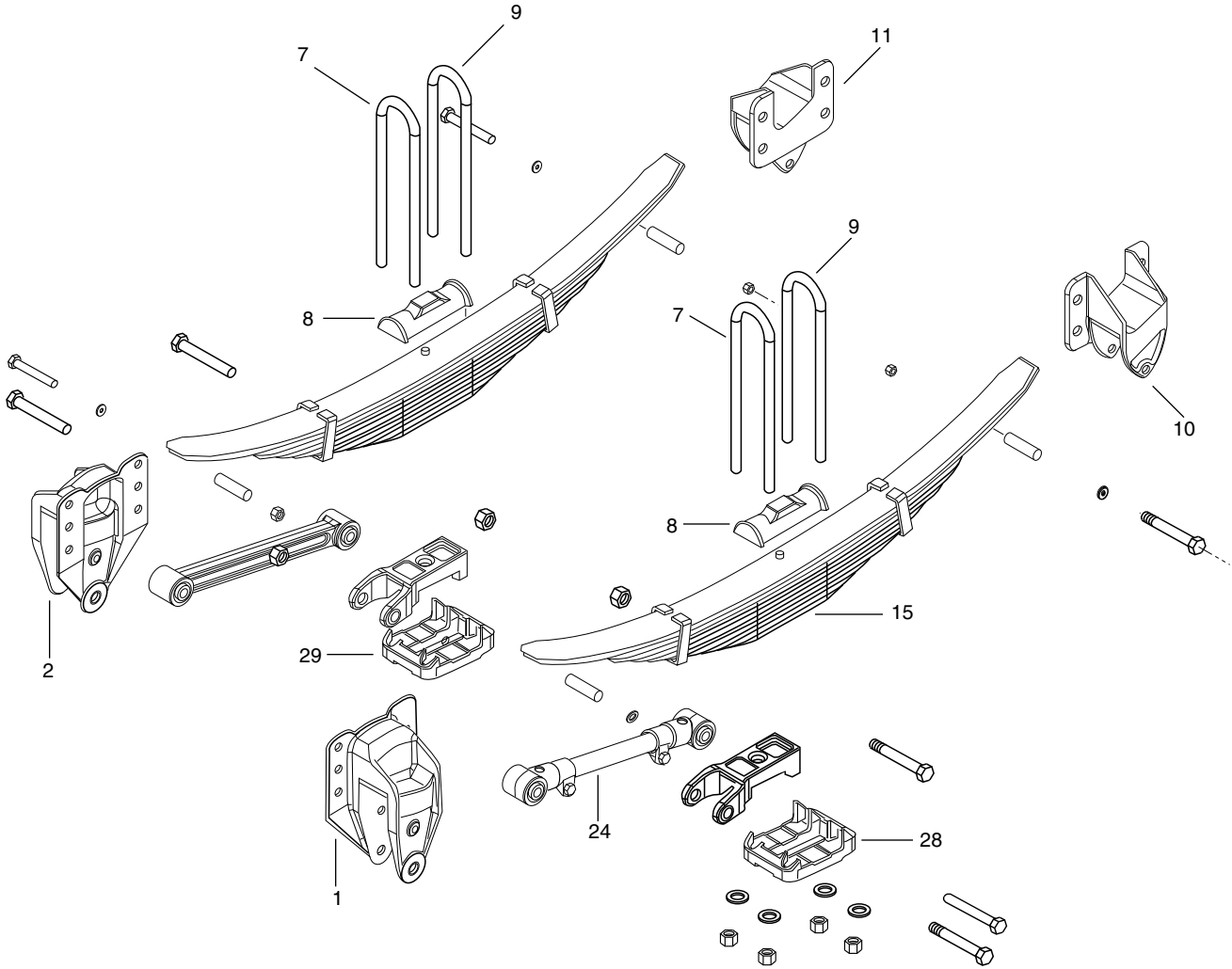
Tandem 72", 77", 97", 109" Axle Spacing
Trailer

KEY NO.	MERITOR NO.	REPLACES REYCO NO.	DESCRIPTION	QUANTITY PER TANDEM	72"	77"	97"	109"	PAGE NO.
1	R309615	16671-01	Front Hanger	2	X	X	X	X	—
2	R303002A	14066-01	Hi-Nut	16	X	X	X	X	2-34
3	R302546	T-7292	Washer	16	X	X	X	X	2-35
4	R309616	13798-01	Top Plate, 5" Round Axle	4	X	X	X	X	—
	R309617	14527-01	Top Plate, 5 3/4" Round Axle		X	X	X	X	
5	S.O.S.	13909-01	Equalizer with Bushing	2		X			—
	S.O.S.	15227-01				X			
	S.O.S.	15724-01					X		
	S.O.S.	15720-01						X	
6	R302854	08914-01	Nut	2	X	X	X	X	2-34
7	R302852	10949-01	Equalizer Bolt	2	X	X	X	X	2-32
8	S.O.S.	15735-01	Equalizer Hanger	2	X	X	X	X	—
9	S.O.S.	13861-01	Equalizer Guide Bracket	2	X	X	X	X	—
10	S.O.S.	16673-01	Torque Arm Attachment Bracket	2	X	X	X	X	—
11	S.O.S.	Various	Spring	4	X	X	X	X	—
12	R309622	13814-01	Rear Hanger	2	X	X	X	X	—
13	S.O.S.	13817-01	Bolt	6	X	X	X	X	—
14	S.O.S.	13818-01	Spring Roller	6	X	X	X	X	—
15	R301974	T-1705	Lock Washer	6	X	X	X	X	1-589
16	R005032	T-1704	Nut	6	X	X	X	X	2-34
17	R309626	15751-01	Axle Seat, 5" Round Axle	4	X	X	X	X	—
	S.O.S.	15752-01	Axle Seat, 5 3/4" Round Axle		X	X	X	X	
18	R301166	T-5492	Bolt	8	X	X	X	X	2-32
19	R30937	T-5495	Nut	8	X	X	X	X	2-34
20	S.O.S.	16586-01	Rigid Torque Arm Assembly, Rear	1	X				—
	S.O.S.	16587-01	Rigid Torque Arm Assembly, Rear			X	X	X	
	R309620	16596-01	Adjustable Torque Arm Assembly, Rear	1	X	X	X	X	1-568
21	R30U8165-14	08512-01	U-Bolt Assembly, Rd. Bend, 7/8"-14 Thd. x 5" Wide x 14" Long	8	X	X	X	X	2-26
	S.O.S.	08950-01	U-Bolt Assembly, Rd. Bend, 7/8"-14 Thd. x 5 3/4" Wide x 14" Long		X	X	X	X	
22	R309549	15737-01	Torque Arm Bushing	8	X	X	X	X	1-560
23	R309585	16585-01	Rigid Torque Arm Assembly, Front	1	X	X	X	X	1-568
	R309584	16595-01	Adjustable Torque Arm Assembly, Front	1	X	X	X	X	1-568
24	R309550	13805-01	Equalizer Bushing	2	X	X	X	X	1-556
—	R309801	—	Equalizer Bushing Assembly, Key Nos. 6, 7, 24	2	X	X	X	X	—

S.O.S. = Available through Meritor's S.O.S. Department

REYCO/GRANNING MODEL 79KB SERIES TRUCK SUSPENSION

Truck



1

REYCO/GRANNING MODEL 79KB SERIES TRUCK SUSPENSION PARTS

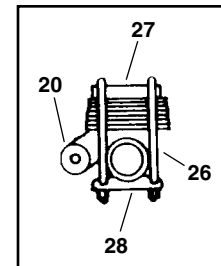
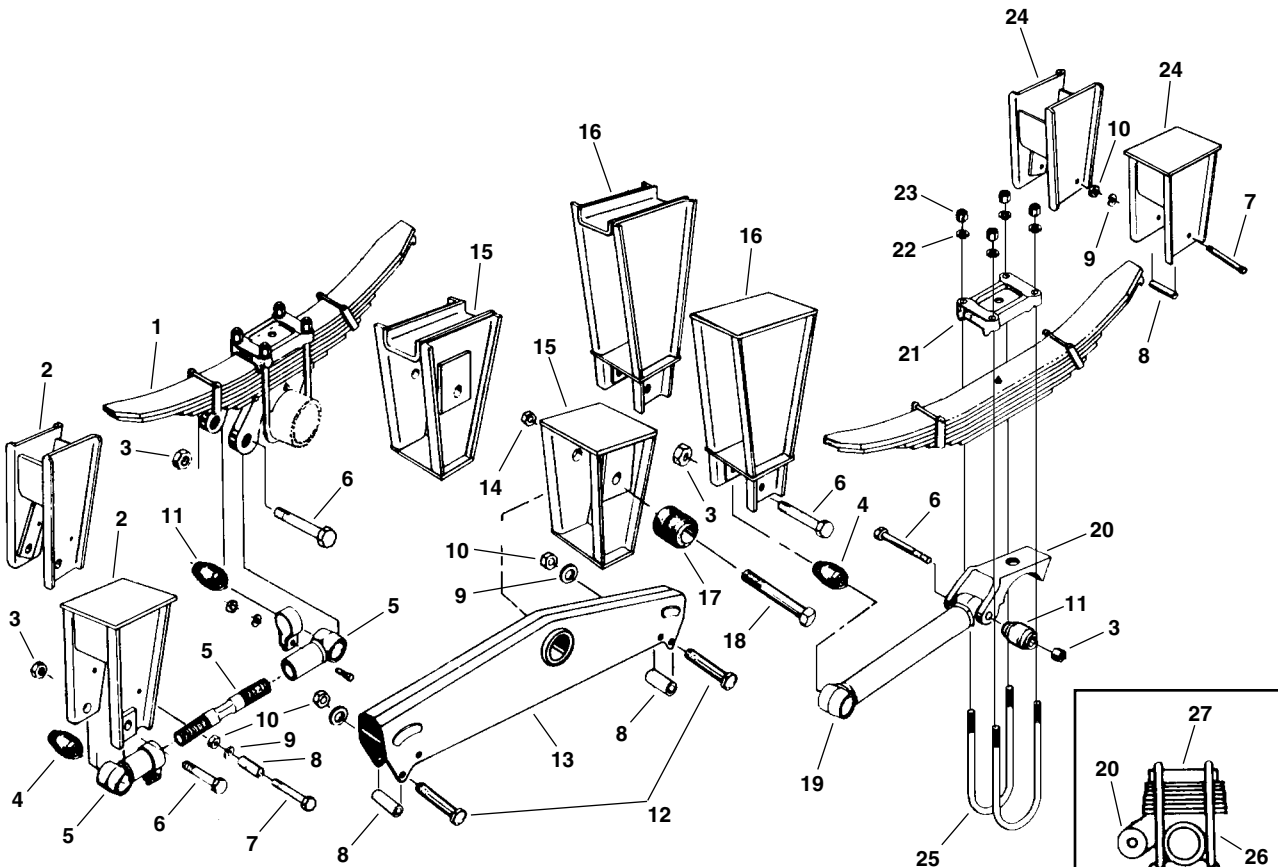
Truck

KEY NO.	MERITOR NO.	REPLACES REYCO NO.	DESCRIPTION	QTY. PER AXLE	PAGE NO.
1	S.O.S.	22404-01	Front Hanger - Left - Standard	1	—
2	S.O.S.	22404-02	Front Hanger - Right - Hole Pattern	1	—
3	S.O.S.	16281-01	Bumper	2	—
4	S.O.S.	1963501	Upper Shock Absorber Mount	4	—
5	S.O.S.	21496-01	Shock Absorber Bolt	2	—
6	R304961A	1434401	Shock Mount Nut	4	2-34
7	S.O.S.	Various	Front U-Bolt	2	—
8	R302873	0867701	Top Plate	2	1-564
9	S.O.S.	Various	Rear U-Bolt	2	—
10	S.O.S.	22405-01	Rear Hanger - Left - Standard	1	—
11	S.O.S.	22405-02	Rear Hanger - Right - Hole Pattern	1	—
12	S.O.S.	T1705	Lock Washer - 1/2"	12	—
13	R301971	T2106	Spring Roller	4	1-563
14	R301972	T-5544	Spring Retainer Bolt - Front Hanger	2	2-32
15	S.O.S.	Various	Spring Assembly	2	—
16	S.O.S.	Various	Spacer Block	2	—
17	S.O.S.	12889-01	Shock Absorber Bolt	2	—
18	R302546	T7292	Washer - 7/8"	8	2-35
19	R301835	1434501	Locknut - 7/8"	8	2-34
20	S.O.S.	1949901	Lower Shock Mount - Left	1	—
21	S.O.S.	Various	Axle Seat - Left	1	—
22	S.O.S.	Various	Axle Seat - Right	1	—
23	85030	1949501	Shock Absorber	2	3-13
24	S.O.S.	1634801	Adjustable T/A Includes Bushings (2 Pc Part # 09729-01)	1	—
25	S.O.S.	1976201	Rigid T/A Includes Bushings (2 Pc Part # 09729-01)	1	—
26	R30901	1003301	Torque Arm Bolt	4	2-32
27	R302983	1009201	Torque Arm Bolt Nut	4	2-34
28	S.O.S.	Various	Bottom Plate - Left	1	—
29	S.O.S.	Various	Bottom Plate - Right	1	—
30	S.O.S.	1949801	Lower Shock Mount - Right	1	—
33	R005032	T1704	Nut - 1/2"	2	2-34
34	S.O.S.	19570-01	Bolt - 5/8" X 9"	2	—
35	R3014389	1957201	Stabilizer Bushing - Axle	8	—
36	S.O.S.	1957301	Bushing Sleeve	4	—
37	S.O.S.	1957401	Spacer Sleeve	2	—
38	S.O.S.	1289301	Locknut - 5/8"	2	—
39	S.O.S.	1957701	Compression Washer	8	—
40	S.O.S.	1948701	Sway Bar (Stabilizer)	1	—
41	S.O.S.	1950701	Bushing Clamp	2	—
42	S.O.S.	1957101	Stabilizer Bushing - Hanger	2	—
43	S.O.S.	1966701	Stabilizer Mount - Hanger	2	—
44	S.O.S.	1967201	Bolt - 1/2" - 1	8	—
45	S.O.S.	T5549	Spring Retainer Bolt - Rear Hanger With Stabilizer	2	—
46	S.O.S.	16286-01	Auxiliary Spring Leaf	2	—

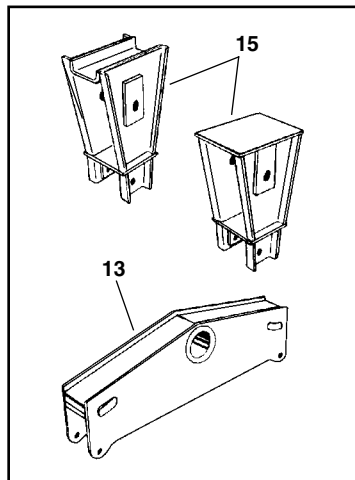
S.O.S. = Available through Meritor's S.O.S. Department

REYCO/GRANNING 83 SERIES WIDESPREAD SUSPENSION

Tandem 50", 54", 60", 65 1/2", 72", 97" and 109" Axle Spacing
Trailer



**Inverted U-Bolts
Design**



**Hangers & Equalizer for
50\"/>**

LEAF SPRING REFERENCES

SRI No.

TRA 2291	3 Leaf
TRA 2256	7 Leaf
TRA 2283	7 Leaf
TRA 2270	8 Leaf
TRA 2297	9 Leaf

REYCO/GRANNING 83 SERIES WIDESPREAD SUSPENSION PARTS

Tandem 50", 54", 60", 65 1/2", 72", 97" and 109" Axle Spacing
Trailer

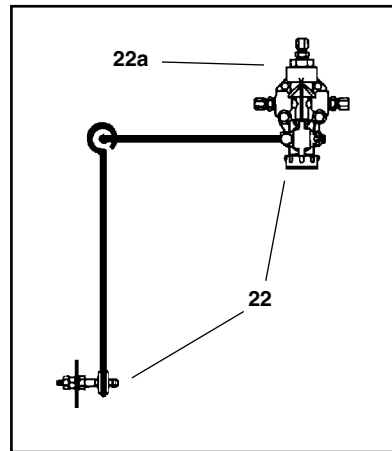
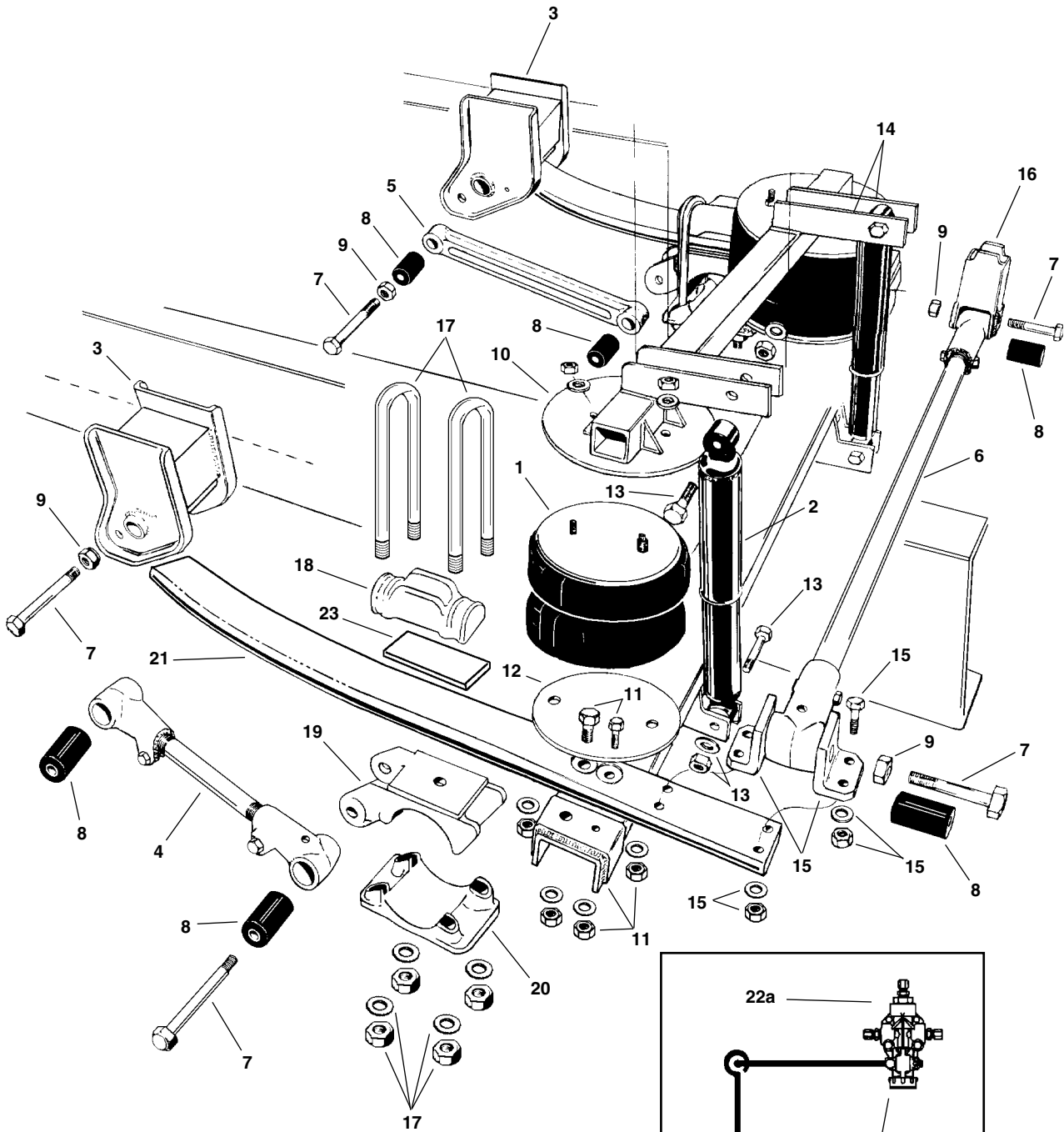
KEY NO.	MERITOR NO.	REPLACES REYCO NO.	DESCRIPTION	QUANTITY PER TANDEM	60"	50"/72"	PAGE NO.
1	S.O.S.	Various	Spring	2	X	X	—
2	S.O.S.	15095-01	Front Hanger, Under Mount	2	X	X	—
3	R301835	10092-01	Nut	4	X	X	2-34
4	R307750	10051-01	Torque Arm Bushing, Hanger End	2	X	X	1-560
5	R307741	16031-01	Adjustable Torque Arm with Bushings, Front	2	X	X	1-568
	R307744	10040-01	Rigid Torque Arm with Bushings, Front		X	X	1-569
6	R30901	10033-01	Bolt	4	X	X	2-32
7	S.O.S.	T-1703	Bolt, Straddle Mount	6	X	X	—
	R301972	T-5544	Bolt, Under Mount		X	X	2-32
8	R301971	T-2106	Spring Roller	6	X	X	1-563
9	R301974	T-2248	Lock Washer	6	X	X	1-589
10	R005032	T-1704	Nut	6	X	X	2-34
—	R301975	TK19011	Spring Roller Assembly Includes Key Nos. 7, 8, 9, 10. Under Mount Hangers Only	4	X	X	1-562
11	R301980 (Rubber)	09829-01	Torque Arm Bushing, Axle Seat End	8	X	X	1-559
	R307520 (Poly)	09729-01					
—	R301981 (Rubber)	—	Torque Arm Bushing Assembly, Axle Seat End Includes Key Nos. 3, 6, 11.	4	X	X	1-558
	R309552 (Poly)						
12	R301972	T-5544	Bolt	6	X	X	2-32
13	N/A	14763-01	Equalizer, 72"	2		X	—
	R307709	14689-01	Equalizer, 50"			X	1-553
	R307710	14696-01	Equalizer, 60"		X		1-553
14	R302854	08914-01	Nut	2	X	X	2-34
15	S.O.S.	15062-01	Center Hanger, Straddle Mount, 50" thru 65 1/2"	2			—
	S.O.S.	15105-01	Center Hanger, Under Mount, 50" thru 65 1/2"				—
	S.O.S.	15008-01	Center Hanger, Straddle Mount, 72" thru 109"				—
	S.O.S.	14688-01	Center Hanger, Under Mount, 72" thru 109"				—
16	S.O.S.	15005-01	Torque Arm Bracket, Straddle Mount, 72" thru 109"	2			—
	S.O.S.	15100-01	Torque Arm Bracket, Under Mount, 72" thru 109"				—
17	R301072	T-3214	Bushing, 72" thru 109"	2			1-556
	R307713	14682-01	Bushing, 50" thru 65 1/2"				1-555
18	R307719	14683-01	Equalizer Bolt, All	2	X	X	1-557
19	R307742	16032-01	Adjustable Torque Arm, Rear, 50" & 72"	1		X	1-568
	R307743	16034-01	Adjustable Torque Arm, Rear, 60"		X		1-568
20	N/A	Various	Axle Seat	4	X	X	—
21	R302875	T-7175	Top Plate	4	X	X	1-564
22	R302545	T-5496	Washer	16	X	X	2-35
23	R303001	T-5497	Hi-Nut	16	X	X	2-34
24	R307739	14999-01	Rear Hanger, Straddle Mount	2	X	X	1-574
	S.O.S.	15098-01	Rear Hanger, Under Mount		X	X	—
25	R30U8155-14	08554-01	U-Bolt Assembly, Rd. Bend, 3/4"-16 Thd. x 5" Wide x 14" Long	8	X	X	2-25
26	R30U8151-14	08541-01	U-Bolt Assembly, Rd. Bend, 3/4"-16 Thd. x 3" Wide x 14" Long		X	X	2-25
27	S.O.S.	11760-01	Top Plate	4	X	X	—
28	R302874	09139-01	Bottom Plate, Inverted U-Bolts	4	X	X	1-564
	S.O.S.	11791-01	Bottom Plate, Underslung		X	X	—

S.O.S. = Available through Meritor's S.O.S. Department

N/A = Reyco no longer manufactures. Parts not available thru S.O.S.

REYCO/GRANNING 86AR AIR SUSPENSION

Trailer



Height Control Valve & Linkage

REYCO/GRANNING 86AR TRAILER AIR SUSPENSION

PARTS

Trailer

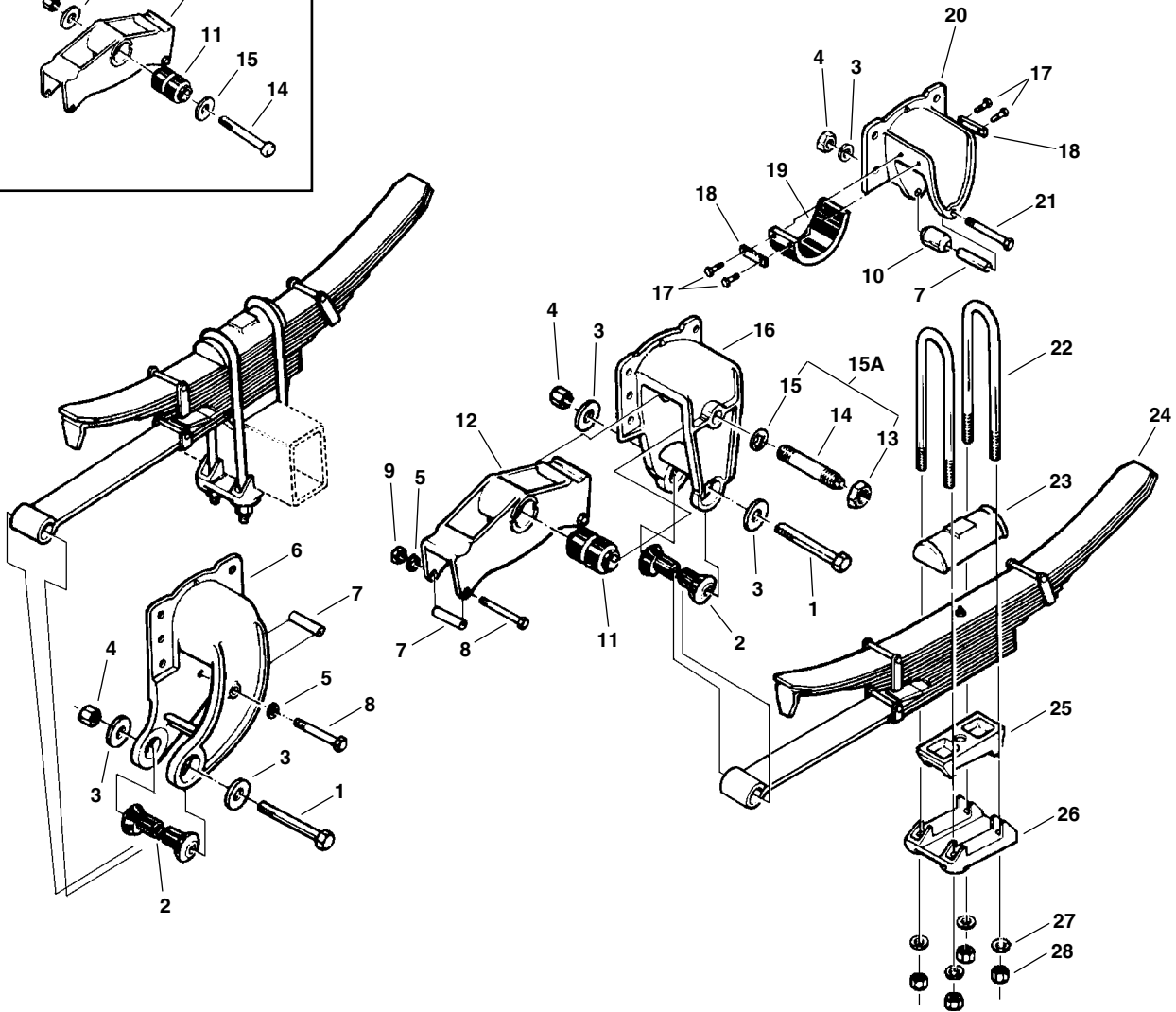
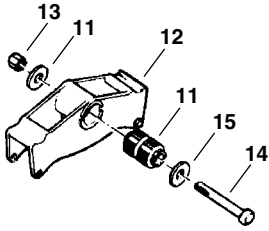
KEY NO.	MERITOR NO.	REPLACES REYCO NO.	DESCRIPTION	QUANTITY PER AXLE	PAGE NO.
1	FS7555	20018-01	Air Spring Assembly	2	—
2	85006	18165-01	Fleetline Shock Absorber	2	3-13
3	R309351A	22662-01	Hanger, Straddle Mount, to 1997 and Up	2	1-574
4	R304824 (Fabricated)	1035-20	Adjustable Torque Arm	1	1-569
	R302513 (Cast)				1-568
5	R304825	0075-20	Rigid Torque Arm	1	1-569
6	S.O.S.	20012-01	Track Rod Rigid, Standard, 42" Frame Width	1	—
	S.O.S.	10910-01	Track Rod Rigid, Standard, 48" Frame Width		
	S.O.S.	17857-01	Track Rod Adjustable Option, 42" Frame Width		
	S.O.S.	18869-01	Track Rod Adjustable Option, 48" Frame Width		
—	R304834A	TK19214 TK19215	Torque Arm/Track Rod Bushing Assembly with Rubber Bushing. Includes Key Nos. 7,8,9	6	1-558
7	R304833	0001-08	Torque/Track Rod Bolt	6	2-32
8	R301980 (Rubber)	0022-00	Torque/Track Rod Bushing	6	1-559
	R307520 (Poly)				
9	R301835	0002-12	Torque/Track Rod Nut	6	2-34
10	S.O.S.	17856-01	Upper Air Spring Mounting Plate	2	—
11	S.O.S.	TK21567	Lower Air Spring Support Assembly, 42" Frame Width with Mounting Hardware	1	—
	S.O.S.	TK21569	Lower Air Spring Support Assembly, 48" Frame Width with Mounting Hardware		—
12	S.O.S.	19790-01	Lower Air Spring Plate	2	—
13	S.O.S.	TK19216	Shock Absorber Mounting Hardware Kit, 2 Kit / Shock	1	—
14	S.O.S.	19769-01	Upper Shock Mounting Bracket (2 pieces per Kit)	2	—
15	R309358	21491-01	Track Rod Bracket, Lower Left Hand with Hardware	2	1-560
16	S.O.S.	19772-01	Track Rod Bracket, Upper Right Hand, Straddle Mount	2	—
17	R30U8151-12	19780-110 to 120	U-Bolt Assembly, Rd. Bend, 3/4" - 16 Thd. x 3" Wide x 12" Long	4	2-25
	R30U8151-14	19780-125 to 140	U-Bolt Assembly, Rd. Bend, 3/4" - 16 Thd. x 3" Wide x 14" Long		2-25
	R30U8151-16	19780-145 to 160	U-Bolt Assembly, Rd. Bend, 3/4" - 16 Thd. x 3" Wide x 16" Long		2-25
18	R309353	1098-00	U-Bolt Top Plate	4	1-564
19	R304814	0636-01	Axle Seat, Round Axle, 1 1/8" High	2	1-566
	S.O.S.	0836-015	Axle Seat, Round Axle, 1 5/8" High		—
	S.O.S.	0836-02	Axle Seat, Round Axle, 2 1/8" High		—
	R309355	0836-025	Axle Seat, Round Axle, 2 5/8" High		1-567
	S.O.S.	0836-03	Axle Seat, Round Axle, 3 1/8" High		—
	S.O.S.	0836-035	Axle Seat, Round Axle, 3 5/8" High		—
	S.O.S.	0836-04	Axle Seat, Round Axle, 4 1/8" High		—
20	R302909	0538-00	Bottom Plate, 5" Round Axle	2	1-564
	R304823	0149-00	Bottom Plate, 5" Square Axle		1-565
21	R3010772	19913-01	Spring Beam, Left Hand	1	—
	R3010773	19914-01	Spring Beam, Right Hand	1	—
22	R3012525	23329-02	Height Control Valve, 3/8" Fitting, Includes Linkage	1	2-61
	S.O.S.	23329-01	Height Control Valve, 1/4" Fitting	1	—
—	R304324	12915-03	Pressure Protection Valve, Includes Filter	1	2-56
22a	S.O.S.	—	Height Control Valve - Haldey part # 700318-14 for units prior to July 17, 2006	As Required	—
	S.O.S.	—	Height Control Valve - Haldey part # 706235-01 for units after July 17, 2006	As Required	—
—	S.O.S.	12915-04	Pressure Protection Valve Filter	1	—
23	R3011305	16810-00	Galvanized Spring Liner	1	—

S.O.S. = Available through Meritor's S.O.S. Department

REYCO/GRANNING 101 SERIES SUSPENSION

Tractor

FORD AND GMC EQUALIZERS



LEAF SPRING REFERENCES

SRI No.

83-111	13 Leaf
83-109	13 Leaf
83-107	13 Leaf

REYCO/GRANNING 101 SERIES SUSPENSION PARTS

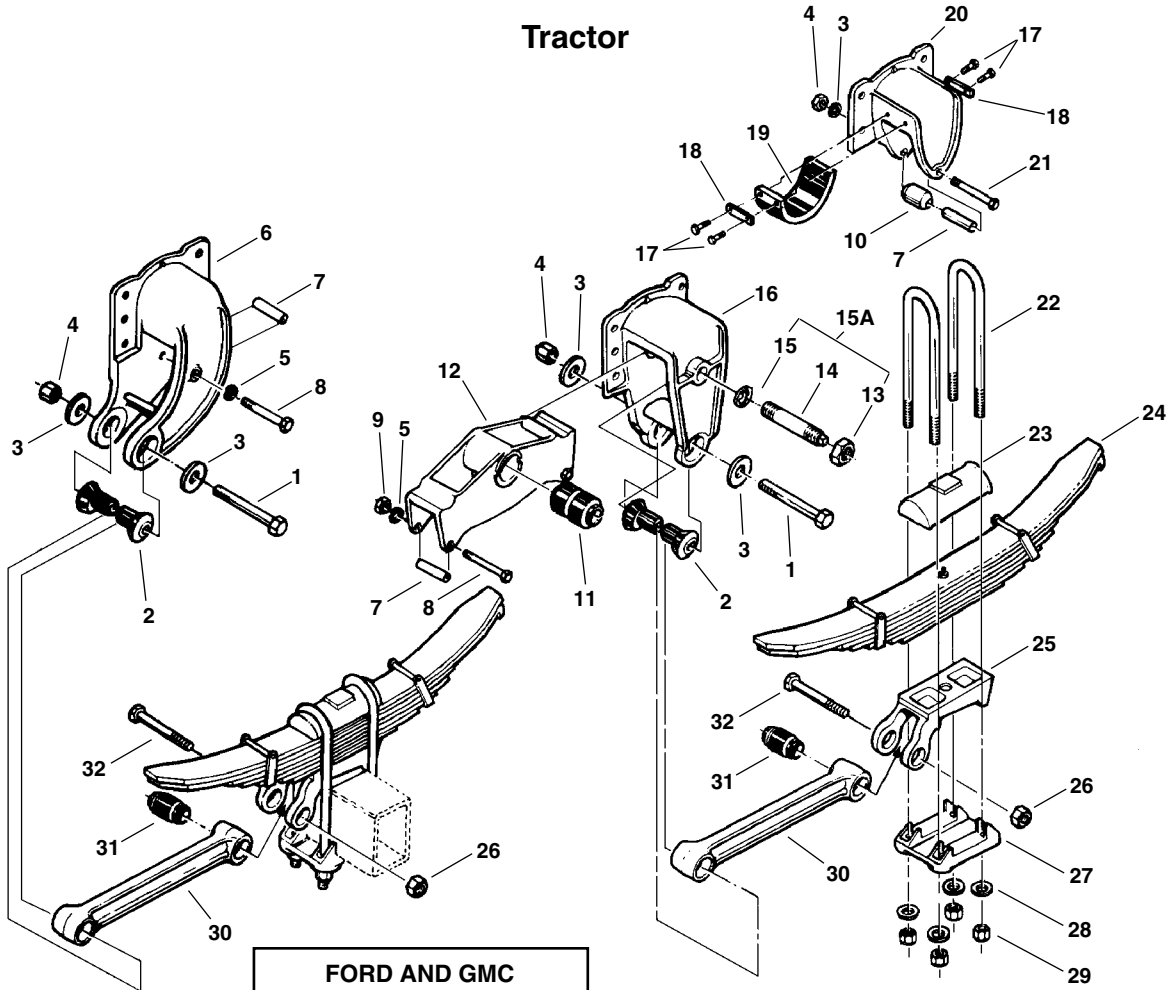
Tractor

KEY NO.	MERITOR NO.	REPLACES REYCO NO.	DESCRIPTION	QUANTITY PER TANDEM	PAGE NO.
1	R301965	17210-01	Bolt	4	1-561
2	R301964 (Rubber)	T-1723	Eccentric Torque Leaf Bushing	8	1-560
	R308689 (Poly)				
3	R30905	T-1724	Washer	8	2-35
4	R304421	12327-01	Nut	4	2-34
—	R301963 (Rubber)	TK19166	Torque Arm Bushing Assembly Includes Key Nos. 1, 2, 3, 4.	4	1-558
	R309548 (Poly)				
5	R301974	T-2248	Spring Roller Lock Washer	6	1-589
6	R302885	22272-01	Undrilled Front Hanger, Left Hand	1	1-572
	R302884	22272-02	Undrilled Front Hanger, Right Hand	1	1-572
7	R301971	T-2106	Spring Roller	8	1-563
8	R301972	T-5544	Bolt	6	2-32
9	R005032	T-1704	Nut	6	2-34
10	R301061	T-3016	Rear Hanger Bushing	2	1-563
		09729-01			
—	R301975	TK19011	Spring Roller Assembly Includes Key Nos. 5, 7, 8, 9.	6	1-562
11	R303977 (Rubber)	14713-01	Equalizer Bushing, No Slots	2	1-556
	R308654 (Poly)				1-556
	R301966				1-555
	R302849				1-555
	R302850				1-555
12	R303978	14743-01	Equalizer with Bushing, No Slots	2	1-552
	R302843	09120-01	Equalizer with Bushing, Slotted Both Ends		1-552
	R302844	08996-01	Equalizer with Bushing, One Slot, Ford		1-552
	R302845	08918-01	Equalizer with Bushing, No Slots, GM/Volvo		1-552
13	R301968	08687-01	Nut, Not Ford or GM/Volvo	2	1-556
	R302854	08914-01	Nut, Ford & GM/Volvo		2-34
14	R301967	08686-01	Equalizer Shaft, Not Ford or GM/Volvo, 1 1/2" O.D.	2	1-557
	R302852	10949-01	Equalizer Shaft, Ford & GM/Volvo, 1 1/4" O.D.		2-32
15	R301969	14246-01	Washer, Not Ford or GM/Volvo	2	—
	R302853	08913-01	Washer, Ford & GM/Volvo	4	2-35
15A	R309840	—	Equalizer Shaft Kit, Includes key 13, 14, 15	2	—
—	R301970	TK19056	Equalizer Bushing Assembly, Slotted Both Ends	2	1-554
	R302847	TK19164	Equalizer Bushing Assembly, One Slot, Ford		1-554
	R302848	TK19163	Equalizer Bushing Assembly, No Slots, GM/Volvo		1-554
	—	—	NOTE: All Equalizer Bushing Assemblies Include Key Nos. 11, 13, 14, 15.		—
16	R302886	22274-01	Undrilled Center Hanger	2	1-572
17	Part of R302867A	14988-01	Bolt	8	1-563
18	Part of R302867A	T-7659	Plate	4	1-563
19	Part of R302867A	13195-01	Wear Pad	2	1-563
—	R302867A	TK15161	Rear Hanger Pad Assembly Includes Key Nos. 17, 18, 19	2	1-563
20	R302887	22299-01	Undrilled Rear Hanger , Left Hand	1	1-572
	R302888	22299-02	Undrilled Rear Hanger , Right Hand	1	1-572
21	R302022	T-5549	Bolt	2	2-32
22	R30U8151-18	09741-01 thru 09751-01	U-Bolt Assembly, Rd. Bend, 3/4"-16 Thd. x 3" Wide x 18" Long	8	2-25
23	R302873	08677-01	Top Plate	4	1-564
24	S.O.S.	Various	Spring Assembly	4	—
25	S.O.S.	Various	Axle Seat	4	—
26	S.O.S.	Various	Bottom Plate	4	—
27	R302545	T-5496	Washer	16	2-35
28	R303001	T-5497	Hi-Nut	16	2-34

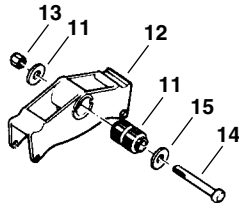
S.O.S. = Available through Meritor's S.O.S. Department

REYCO/GRANNING 101A SERIES SUSPENSION

Tractor



FORD AND GMC EQUALIZERS



LEAF SPRING REFERENCES

SRI No.

83-115	11/3 Leaf
83-121	11/3 Leaf
83-133	3 Leaf

KEY NO.	MERITOR NO.	REPLACES REYCO NO.	DESCRIPTION	QUANTITY PER TANDEM	PAGE NO.
1	R301965	17210-01	Bolt	4	1-561
2	R301964 (Rubber)	T-1723	Eccentric Torque Leaf Bushing	8	1-560
	R308689 (Poly)				
3	R30905	T-1724	Washer	8	2-35
4	R304421	12327-01	Nut	4	2-34
—	R301963 (Rubber)	TK-19166	Torque Arm Bushing Assembly Includes Key Nos. 1, 2, 3, 4.	4	1-558
	R309548 (Poly)				
5	R301974	T-2248	Spring Roller Lock Washer	6	1-589
6	R302885	22272-01	Undrilled Front Hanger, Left Hand	1	1-572
	R302884	22272-02	Undrilled Front Hanger, Right Hand	1	1-572
7	R301971	T-2106	Spring Roller	8	1-563
8	R301972	T-5544	Bolt	6	2-32

S.O.S. = Available through Meritor's S.O.S. Department

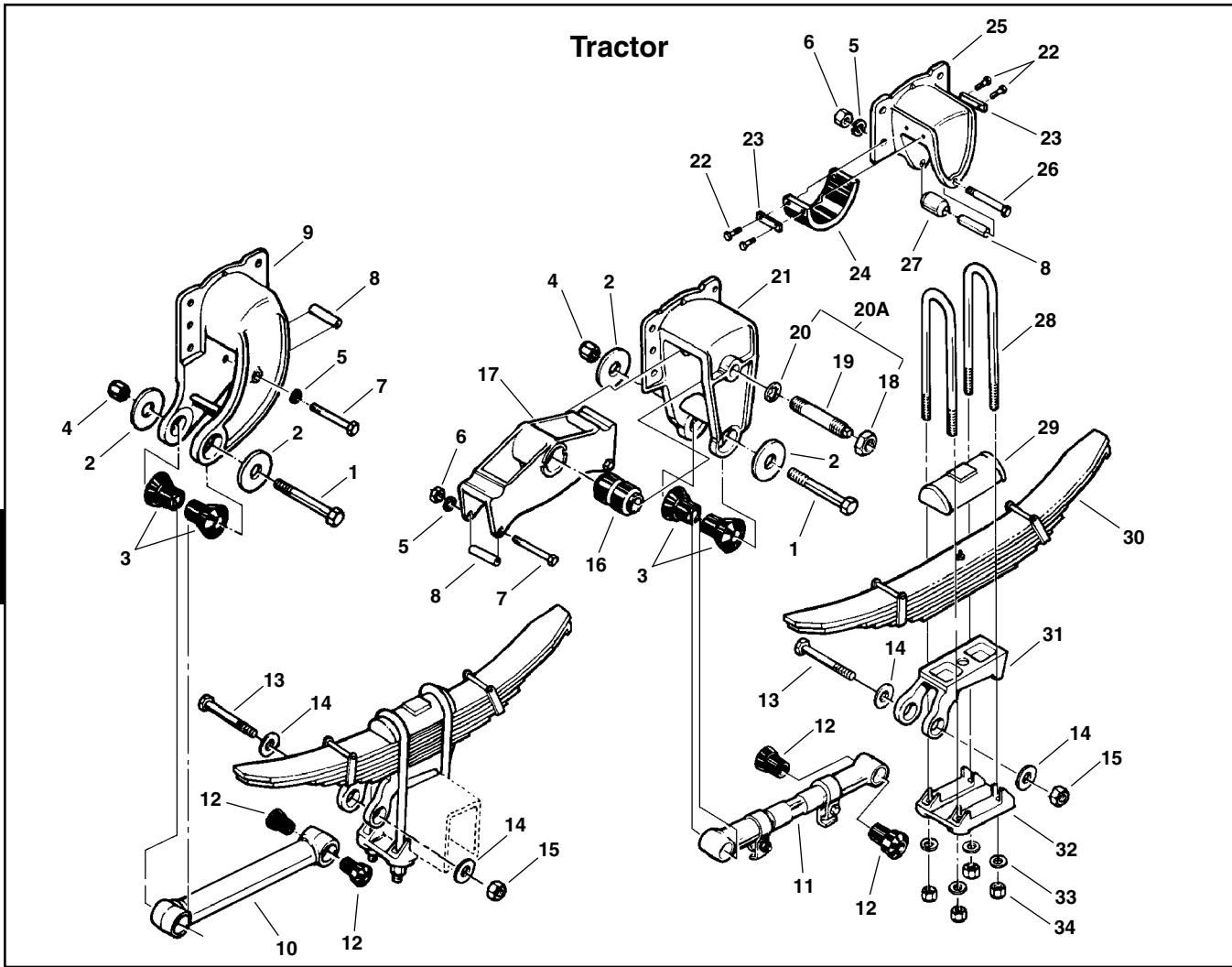
REYCO/GRANNING 101A SERIES SUSPENSION PARTS

Tractor

KEY NO.	MERITOR NO.	REPLACES REYCO NO.	DESCRIPTION	QUANTITY PER TANDEM	PAGE NO.
9	R005032	T-1704	Nut	6	2-34
10	R301061	T-3016 09729-01	Rear Hanger Bushing	2	1-563
—	R301975	TK19011	Spring Roller Assembly Includes Key Nos. 5, 7, 8, 9.	6	1-562
11	R303977 (Rubber)	14713-01	Equalizer Bushing, No Slots	2	1-556
	R308654 (Poly)				
	R301966	08363-01	Rubber Equalizer Bushing, Slotted Both Ends		1-555
	R302849	08995-01	Rubber Equalizer Bushing, One Slot, Ford		1-555
	R302850	08915-01	Rubber Equalizer Bushing, No Slots, GM/Volvo	1-555	
12	R303978	14743-01	Equalizer with Bushing , No Slots	2	1-552
	R302843	09120-01	Equalizer with Bushing, Slotted Both Ends		1-552
	R302844	08996-01	Equalizer with Bushing, One Slot, Ford		1-552
	R302845	08918-01	Equalizer with Bushing, No Slots, GM/Volvo		1-552
13	R301968	08687-01	Nut, Not Ford or GM/Volvo	2	1-556
	R302854	08914-01	Nut, Ford & GM/Volvo		2-34
14	R301967	08686-01	Equalizer Shaft , Not Ford or GM/Volvo	2	1-557
	R302852	10949-01	Equalizer Shaft, Ford & GM/Volvo	4	2-32
15	R301969	14246-01	Washer, Not Ford or GM/Volvo	2	—
	R302853	08913-01	Washer, Ford & GM/Volvo		2-35
15A	R309840	—	Equalizer Shaft Kit, Includes Key 13, 14, 15	2	—
—	R301970	TK-19056	Equalizer Bushing Assembly, Slotted Both Ends	2	1-554
	R302847	TK-19164	Equalizer Bushing Assembly, One Slot, Ford		1-554
	R302848	TK-19163	Equalizer Bushing Assembly, No Slots, GM/Volvo		1-554
	—	—	NOTE: All Equalizer Bushing Assemblies Include Key Nos. 11, 13, 14, 15.		—
16	R302886	22274-01	Undrilled Center Hanger	2	1-572
17	Part of R302867A	14988-01	Bolt	8	1-563
18	Part of R302867A	T-7659	Plate	4	1-563
19	Part of R302867A	13195-01	Wear Pad	2	1-563
—	R302867A	TK-15161	Rear Hanger Pad Assembly Includes Key Nos. 17, 18, 19	2	1-563
20	R302887	22299-01	Undrilled Rear Hanger, Left Hand	1	1-572
	R302888	22299-02	Undrilled Rear Hanger, Right Hand	1	1-572
21	R302022	T-5549	Bolt	2	2-32
22	R30U8151-18	09741-01 thru 09751-01	U-Bolt Assembly, Rd. Bend, 3/4"-16 Thd. x 3" Wide x 18" Long	8	2-25
23	R302873	08677-01	Top Plate	4	1-564
24	S.O.S.	Various	Spring Assembly	4	—
25	S.O.S.	Various	Axle Seat	4	—
26	R302983	10092-01	Nut	4	2-34
27	S.O.S.	Various	Bottom Plate	4	—
28	R302545	T-5496	Washer	16	2-35
29	R303001	T-5497	Hi-Nut	16	2-34
30	R302860	10938-01	Front & Rear Rigid Torque Arm	4	1-569
31	R301980 (Rubber)	09729-01	Torque Arm Bushing	4	1-559
	R307520 (Poly)				
32	R30901	10033-01	Bolt	4	2-32

S.O.S. = Available through Meritor's S.O.S. Department

REYCO/GRANNING 102 SERIES SUSPENSION



KEY NO.	MERITOR NO.	REPLACES REYCO NO.	DESCRIPTION	QUANTITY PER TANDEM	PAGE NO.
1	R301166	T-5492	Bolt	4	2-32
2	R30905	T-1724	Washer	8	2-35
3	R3011057	21238-01	Torque Arm Bushing	8	1-559
4	R30937	T-5495	Nut	4	2-34
—	R309350 (Rubber) N/A (Poly)	—	Torque Arm Bushing Assembly, Hanger End, Includes Key Nos. 1, 2, 3, 4.	4	1-558
5	R301974	T-2248	Spring Roller Lock Washer	6	1-589
6	R005032	T-1704	Nut	6	2-34
—	R301975	—	Spring Roller Assembly Includes Key Nos. 5,6,7,8	6	1-562
7	R301972	T-5544	Bolt	6	2-32
8	R301971	T-2106	Spring Roller	8	1-563
9	R302885	22272-01	Undrilled Front Hanger, Left Hand	1	1-572
	R302884	22272-02	Undrilled Front Hanger, Right Hand	1	1-572
10	R302858	15012-01	Rigid Torque Arm	2	1-569
11	R302866A	15354-01	Adjustable Torque Arm	2	1-568
12	R301982 (Rubber) R307522 (Poly)	T-2242	Torque Arm Bushing	8	1-559

S.O.S. = Available through Meritor's S.O.S. Department

N/A = No Longer Available

REYCO/GRANNING 102 SERIES SUSPENSION PARTS

Tractor

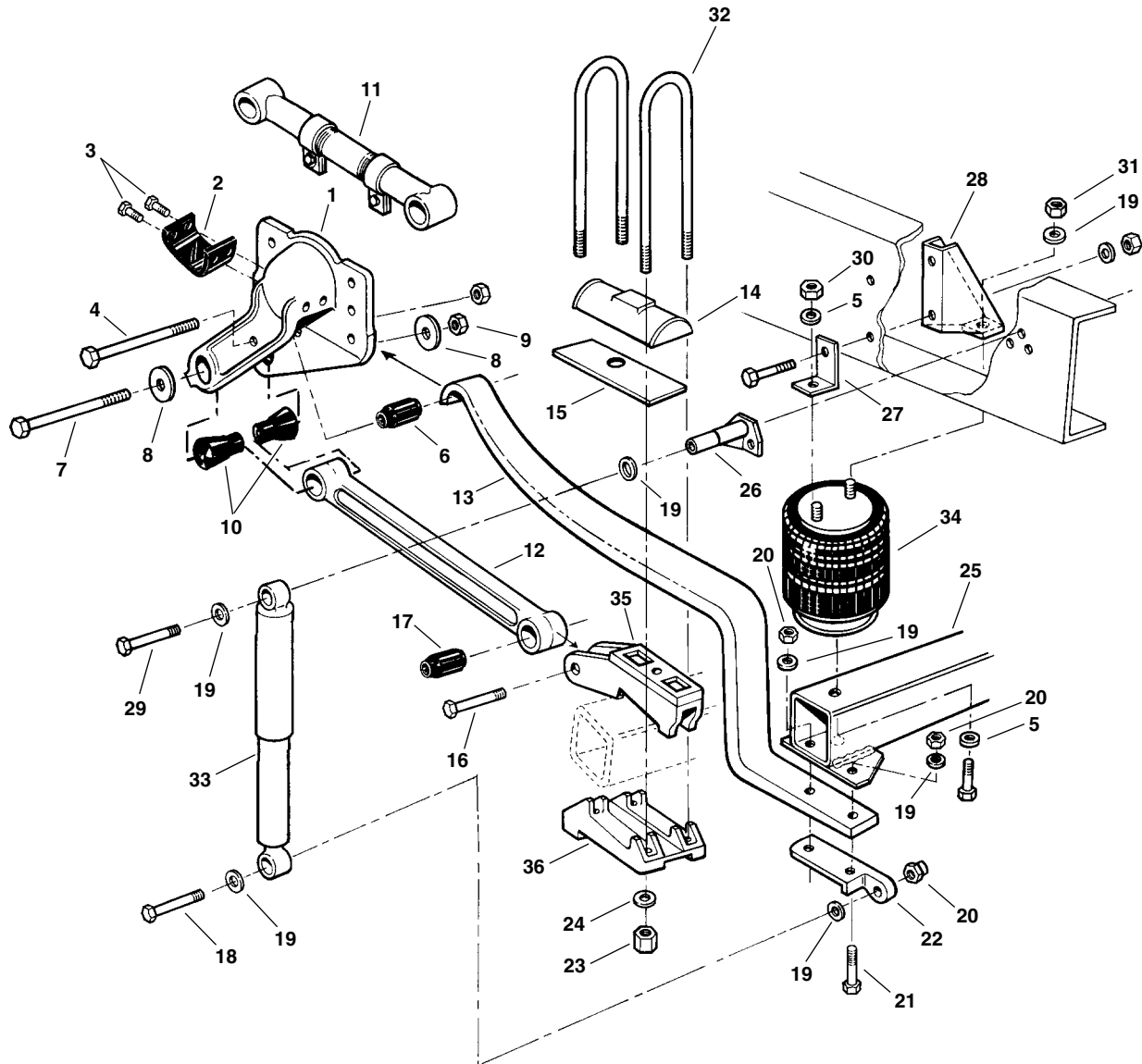
KEY NO.	MERITOR NO.	REPLACES REYCO NO.	DESCRIPTION	QUANTITY PER TANDEM	PAGE NO.
13	R30900	T-2243	Bolt	4	2-32
14	R30907	T-2224	Washer	8	2-35
15	R304421	T-1722	Nut	4	2-34
—	R301983 (Rubber)	—	Torque Arm Bushing Assembly Axle Seat End, Includes Key Nos. 12, 13, 14, 15.	4	1-558
16	R303977 (Rubber)	14713-01	Equalizer Bushing, No Slots	2	1-556
	R308654 (Poly)				
	R301966	08363-01	Rubber Equalizer Bushing, Slotted Both Ends		1-555
	R302849	08995-01	Rubber Equalizer Bushing, One Slot, Ford		1-555
	R302850	08915-01	Rubber Equalizer Bushing, No Slots, GM/Volvo		1-555
17	R303978	14743-01	Equalizer with Bushing, No Slots	2	1-552
	R302843	09120-01	Equalizer with Bushing, Slotted Both Ends		1-552
	R302844	08996-01	Equalizer with Bushing, One Slot, Ford		1-552
	R302845	08918-01	Equalizer with Bushing, No Slots, GM/Volvo		1-552
18	R301968	08687-01	Nut, Not Ford or GM/Volvo (in Kit R309840)	2	1-556
	R302854	08914-01	Nut, Ford & GM/Volvo		1-557, 2-34
19	R301967	08686-01	Equalizer Shaft , Not Ford or GM/Volvo (in Kit R309840)	2	1-557
	R302852	10949-01	Equalizer Bolt, Ford & GM/Volvo	2	2-32
20	R301969	14246-01	Washer, Not Ford or GM/Volvo (in Kit R309840)	2	—
	R302853	08913-01	Washer, Ford & GM/Volvo		2-35
20A	R309840	—	Equalizer Shaft Kit, Includes Key 18, 19, 20	2	—
—	R301970	TK-19056	Equalizer Bushing Assembly, Slotted Both Ends	2	1-554
	R302847	TK-19164	Equalizer Bushing Assembly, One Slot, Ford		1-554
	R302848	TK-19163	Equalizer Bushing Assembly, No Slots, GM/Volvo		1-554
	—	—	NOTE: All Equalizer Bushing Assemblies Include Key Nos. 16, 18, 19, 20.		—
21	R302886	22274-01	Undrilled Center Hanger not for Ford or GM (S.O.S. 22536-01)	2	1-572
—	R3014388	22273-01	Center Hanger, Drilled	2	1-572
22	Part of R302867A	14988-01	Bolt	8	1-563
23	Part of R302867A	T-7659	Plate	4	1-563
24	Part of R302867A	13195-01	Wear Pad	2	1-563
—	R302867A	TK-15161	Rear Hanger Pad Arm Includes Key Nos. 17, 18, 19	2	1-563
25	R302887	22299-01	Undrilled Rear Hanger, Left Hand	1	1-572
	R302888	22299-02	Undrilled Rear Hanger, Right Hand	1	1-572
26	R302022	T-5549	Bolt	2	2-32
27	R301061	T-3016 09729-01	Rear Hanger Bushing	2	1-563
28	R30U8151-18	09741-01 thru 09751-01	U-Bolt Assembly, Rd. Bend, 3/4" -16 Thd. x 3" Wide x 18" Long	8	2-25
29	R302873	08677-01	Top Plate	4	1-564
30	S.O.S.	Various	Spring Assembly	4	—
31	S.O.S.	Various	Axle Seat	4	—
32	S.O.S.	Various	Bottom Plate	4	—
33	R302545	T-5496	Washer	16	2-35
34	R303001	T-5497	Hi-Nut	16	2-34

S.O.S. = Available through Meritor's S.O.S. Department

N/A = No Longer Available

REYCO/GRANNING 102AR SERIES SUSPENSION

Air Ride — Truck



1

REYCO/GRANNING 102AR SERIES SUSPENSION PARTS

Air Ride — Truck

KEY NO.	MERITOR NO.	REPLACES REYCO NO.	DESCRIPTION	QUANTITY PER AXLE	PAGE NO.
1	R304794	22521-01	Standard Front Hanger, Left Hand, Includes Key Nos. 2, 3.	1	1-574
	R304795	22521-02	Standard Front Hanger, Right Hand, Includes Key Nos. 2, 3.	1	1-574
2	Part of R302867A	13195-01	Wear Pad	2	1-563
3	Part of R302867A	14988-01	Screw	8	1-563
—	R302867A	TK-19168	Rear Wear Pad Assembly	2	1-563
4	R301972	T-5544	Bolt	2	2-32
5	R005032	T-1705	Nut	2	2-34
6	R301061	13677-04	Bushing	2	1-563
—	R302024	TK-19182	Hanger Bushing Assembly, Includes Key Nos. 4, 5, 6.	2	1-562
7	R301166	T-5492	Torque Arm Bolt	2	2-32
8	R30905	T-1724	Washer	4	2-35
9	R30937	T-5495	Nut	2	2-34
10	R3011057 (Rubber)	21238-01	Torque Arm Bushing, Hanger End	4	1-559
	R309579 (Poly)				
—	R309350 (Rubber)	—	Torque Arm Bushing Assembly Includes Key Nos. 7, 8, 9, 10.	2	1-558
	R309583 (Poly)				
11	R304796	15186-01	Adjustable Torque Arm	1	1-568
12	R302860	11012-03	Rigid Torque Arm	1	1-569
13	S.O.S.	15676-01	Spring Beam	2	—
14	R302873	08677-01	Top Plate	2	1-564
15	R302842	T-5166	Delrin Liner	2	1-561
16	R30901	10033-01	Bolt	2	2-32
17	R301980 (Rubber)	09729-01	Torque Arm Bushing	2	1-559
	R307520 (Poly)				
18	S.O.S.	12889-01	Bolt	4	—
19	R302545	T-5496	Washer	14	2-35
20	S.O.S.	14344-01	Nut	2	—
21	S.O.S.	15669-01	Bolt	4	—
22	S.O.S.	15675-03LH	Lower Shock Mount Bracket, Left Hand	1	—
	S.O.S.	15674-03RH	Lower Shock Mount Bracket, Right Hand	1	—
23	R303002A	09352-01	Nut	8	2-34
24	R302546	T-7292	Washer	8	2-35
25	S.O.S.	15766-01	Air Spring Support Assembly	1	—
26	S.O.S.	18256-01	Upper Shock Mount Bracket	2	—
27	S.O.S.	18258-01	Outboard Air Spring Bracket	2	—
28	S.O.S.	18259-01	Inboard Air Spring Bracket	2	—
29	S.O.S.	15246-01	Bolt	2	—
30	S.O.S.	12920-01	Nut	2	—
31	S.O.S.	08211-01	Nut	2	—
32	R30U5161-14	08490-01 thru 08495-01	U-Bolt Assembly, Rd. Bend, 7/8"-14 Thd. x 3" Wide x 14" Long	4	2-27
33	85013	12887-01	Gas-Magnum 60 Shock Absorber	2	3-13
34	FS9223	12884-01	Air Spring	2	—
35	S.O.S.	Various	Axle Seat	2	—
36	S.O.S.	Various	Bottom Seat	2	—

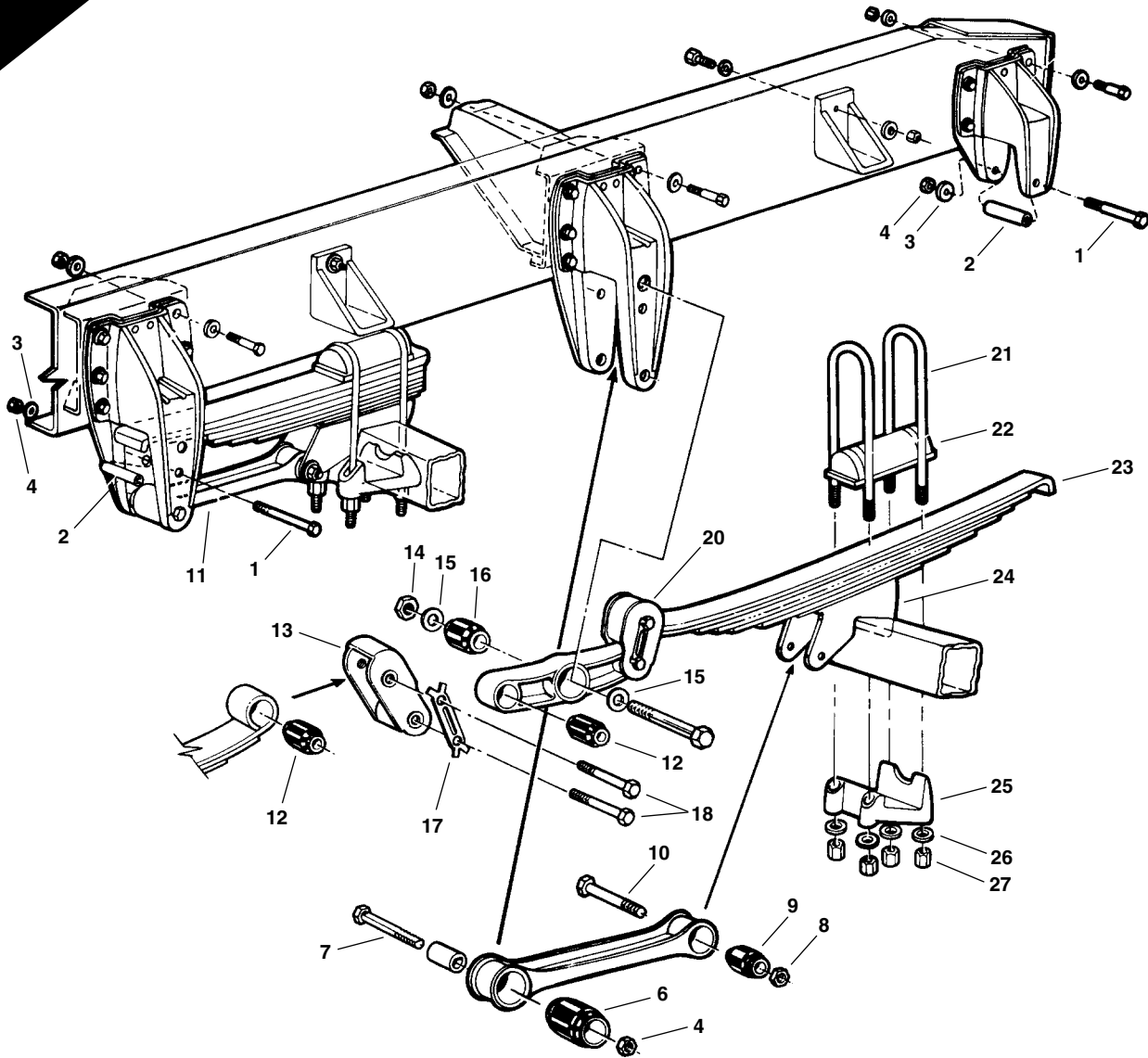
S.O.S. = Available through Meritor's S.O.S. Department

REYCO/GRANNING 181/ FORD 101F SUSPENSION

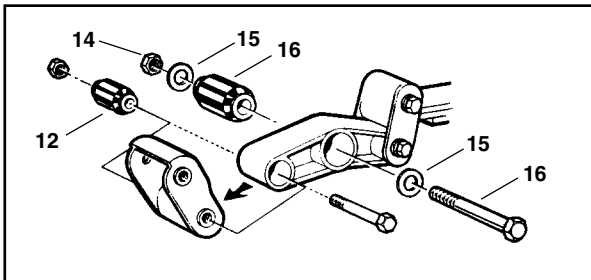
**DISCONTINUED
1980
NO LONGER
AVAILABLE**

Late Model - 7 Leaf - Obsolete

1



EARLY MODEL 3 and 4 LEAF



LEAF SPRING REFERENCES

SRI No.	
83-123	4 Leaf
83-129	7 Leaf

REYCO/GRANNING 181/ FORD 101F

SUSPENSION PARTS

Late Model - 7 Leaf

KEY NO.	MERITOR NO.	REPLACES REYCO NO.	DESCRIPTION	QUANTITY PER TANDEM	PAGE NO.
1	R301972	T-5544	Bolt	4	2-32
2	R301971	T-2106	Spring Roller	4	1-563
3	R301974	T-1705	Lock Washer	6	1-589
		T-2248			
4	R304421	T-1704	Nut	6	2-34
—	R301975	TK19011	Spring Roller Assembly includes Key Nos. 1, 3, 4.	4	1-562
5	R304421	14169-01	Nut	8	2-34
6	R303360	13944-01	Torque Arm Bushing, Hanger End	4	1-559
7	R303247	11824-01	Bolt	4	1-561
—	N/A	—	Torque Arm Bushing Assembly, Hanger End. Includes Key Nos. 8, 9, 10, and 11.	4	—
8	R301835	10092-01	Nut	4	2-34
9	R303362	13945-01	Torque Arm Bushing, Axle Seat End	4	1-559
10	R30901	10033-01	Bolt	4	2-32
—	R303363	—	Torque Arm Bushing Assembly, Axle Seat End Includes Key Nos. 8, 9, 10.	4	1-558
11	N/A	13948-01	Torque Arm with Bushings, Front, 14 15/16" Center-to-Center	2	—
12	R303359	13941-01	Equalizer Shackle Bushing	8	1-561
13	N/A	—	Shackle, Left Front & Right Rear	2	—
14	R301828	T-5495	Nut	2	2-34
15	R302975	T-5770	Washer	4	2-35
16	N/A	13940-01	Equalizer Bushing	2	—
17	R303244	12488-01	Shackle Lock Strip	4	1-562
18	N/A	12492-01	Bolt	8	—
19	R303240	11823-01	Bolt	2	2-32
—	N/A	—	Equalizer Bushing Assembly Includes Key Nos. 18, 19, 20, 24.	2	—
20	N/A	—	Shackle, Right Front & Left Rear	2	—
21	R30U8151-18	—	U-Bolt Assembly, Rd. Bend, 3/4"-16 Thd. x 3" Wide x 18" Long	8	2-25
22	R302873	08677-01	Top Plate	4	1-564
23	S.O.S.	Various	Spring	4	—
24	—	Various	Axle Seats	4	—
25	N/A	Various	Bottom Plate	4	—
26	R302545	T-5496	Washer	16	2-35
27	R303001	T-5497	Hi-Nut	16	2-34

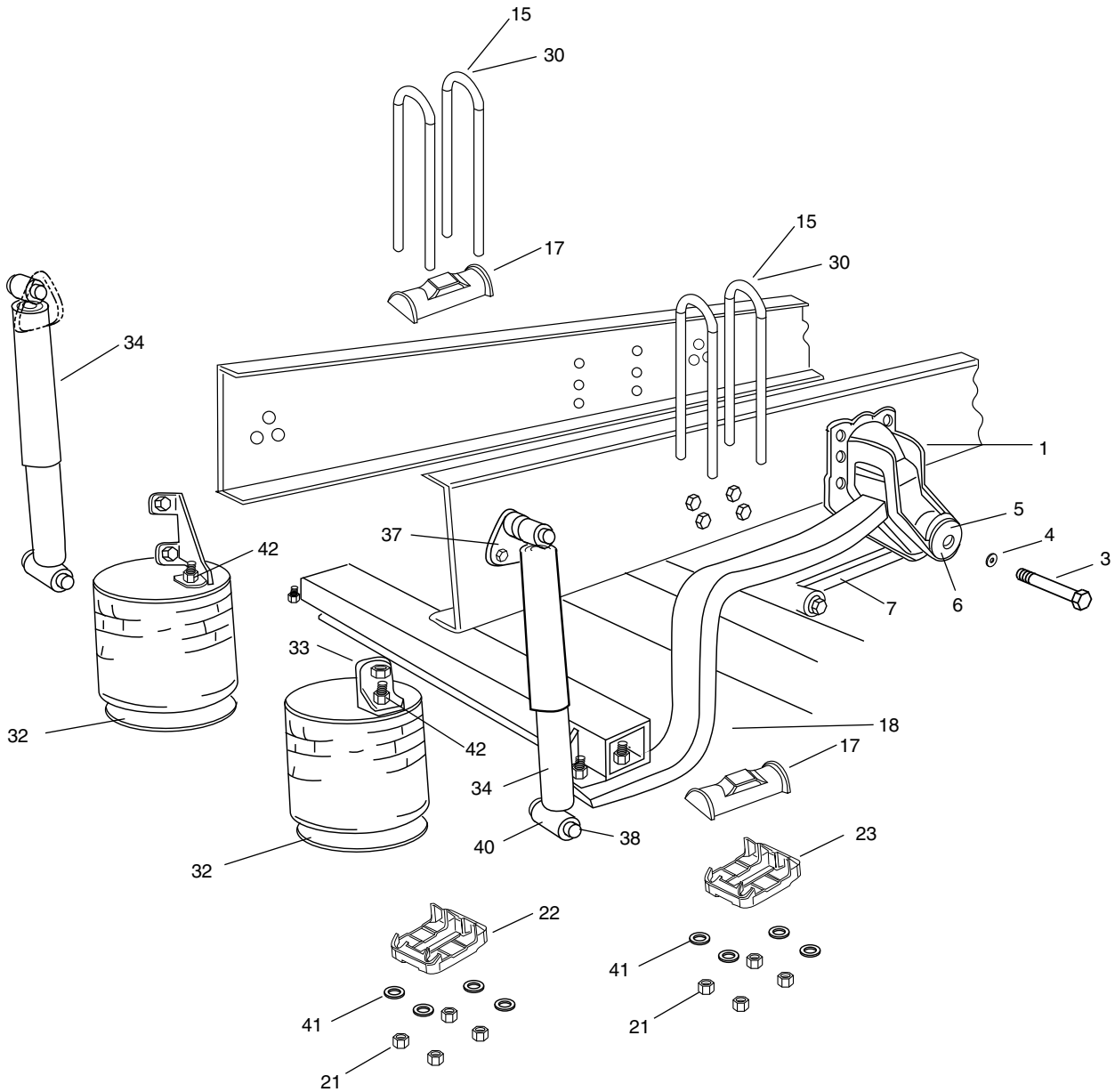
S.O.S. = Available through Meritor's S.O.S. Department.

N/A = No Longer Available

Refer to Photo Pages For Ford Part Number Cross References

REYCO/GRANNING 240AR SUSPENSION

Air Ride - Truck



1

REYCO/GRANNING 240AR SUSPENSION PARTS

Air Ride - Truck

KEY NO.	MERITOR NO.	REPLACES REYCO NO.	DESCRIPTION	17K - 25K	34K - 40K	PAGE NO
				QTY PER AXLE	QTY PER TANDEM	
1	S.O.S.	2098101	Hanger Assembly (LH)	1	2	—
2	S.O.S.	2098201	Hanger Assembly (RH)	1	2	—
3	S.O.S.	23882-01	Bolt, 1"-14UNF x7	2	4	—
4	R30905	T1724	Flat Washer, 1-1/16"	4	8	2-35
5	S.O.S.	2313801S	Bushing	4	8	—
—	R3014390	TK21640T	Bushing Kit	As Required		—
6	R30937	T5495	Lock Nut, 1"-14 UNF	2	4	2-34
7	S.O.S.	2012101	Torque Arm, Rigid	1	2	—
8	S.O.S.	2013801	Torque Arm, Adjustable	1	2	—
9	R30901	1003301	Bolt 7/8"-9 UNC x 5-1/2"	4	8	2-32
10	R302983	1009201	Lock Nut, 7/8"-9 Thd.	4	8	2-34
11	R301980 (Rubber)	0972901	Bushing, Inc. w/Torque Arm	As Required		1-559
12	S.O.S.	1289101	Bolt, 5/8"-18 UNF x 4-1/2" Gr. 8	2	4	—
13	S.O.S.	T2131	Lock Washer, 5/8"	2	4	—
14	S.O.S.	1367708	Rubber Roller, 2-1/2"	2	4	—
15	S.O.S.	1563701	U-Bolt, 15" for 8-1/2" Ride Height	2	2	—
16	S.O.S.	1628901	U-Bolt, 12-1/2" for 8-1/2" Ride Height	2	2	—
17	R302873	0867701	Top Plate	2	4	1-564
18	S.O.S.	19876K1	Spring Beam, RH	1	2	—
19	S.O.S.	19877K1	Spring Beam, LH	1	2	—
20	S.O.S.	16810-09	Spring Liner, Inc. w/Spring Beam	As Required		—
21	S.O.S.	2068801	Hi Nut, 7/8"-14 UNF Gr. 8	8	16	—
22	S.O.S.	—	Bottom Plate, Front Left	1	1	—
23	S.O.S.	—	Bottom Plate, Front Right	1	1	—
24	S.O.S.	—	Axle Seat, Front Left	1	1	—
25	S.O.S.	—	Axle Seat, Front Right	1	1	—
26	S.O.S.	—	Axle Seat, Rear Left (Tandem)	—	1	—
27	S.O.S.	—	Axle Seat, Rear Right (Tandem)	—	1	—
28	S.O.S.	—	Bottom Plate, Rear Left (Tandem)	—	1	—
29	S.O.S.	—	Bottom Plate, Rear Right (Tandem)	—	1	—
30	S.O.S.	1628901	U-Bolt, 12-1/2" for 8-1/2" Ride Ht. (Tandem)	—	2	—
31	S.O.S.	1563701	U-Bolt, 15" for 8-1/2" Ride Ht. (Tandem)	—	2	—
32	S.O.S.	2014201	Air Spring, Std.	2	4	—
32A	S.O.S.	20124-12	Air Spring, Opt.	As Required		—
33	S.O.S.	2012301	Bracket, Inc. w/Air Spring	As Required		—
34A	89440	2012601	Shock Absorber, 1.75", Premium	8		3-13
34B	85713	2012901	Shock Absorber, 1.62", Heavy Duty	As Required		3-10
35	S.O.S.	2015501	Bracket, Lower Shock, LH	1	2	—
36	S.O.S.	2015401	Bracket, Lower Shock, RH	1	2	—
37A	S.O.S.	20185-03	Bracket, Upper Shock, 8-1/2" Mounting Ht.	2	4	—
37B	S.O.S.	14480-01	Bolt, 3/4"-16 UNF X 5.5" Gr. 8	2	4	—

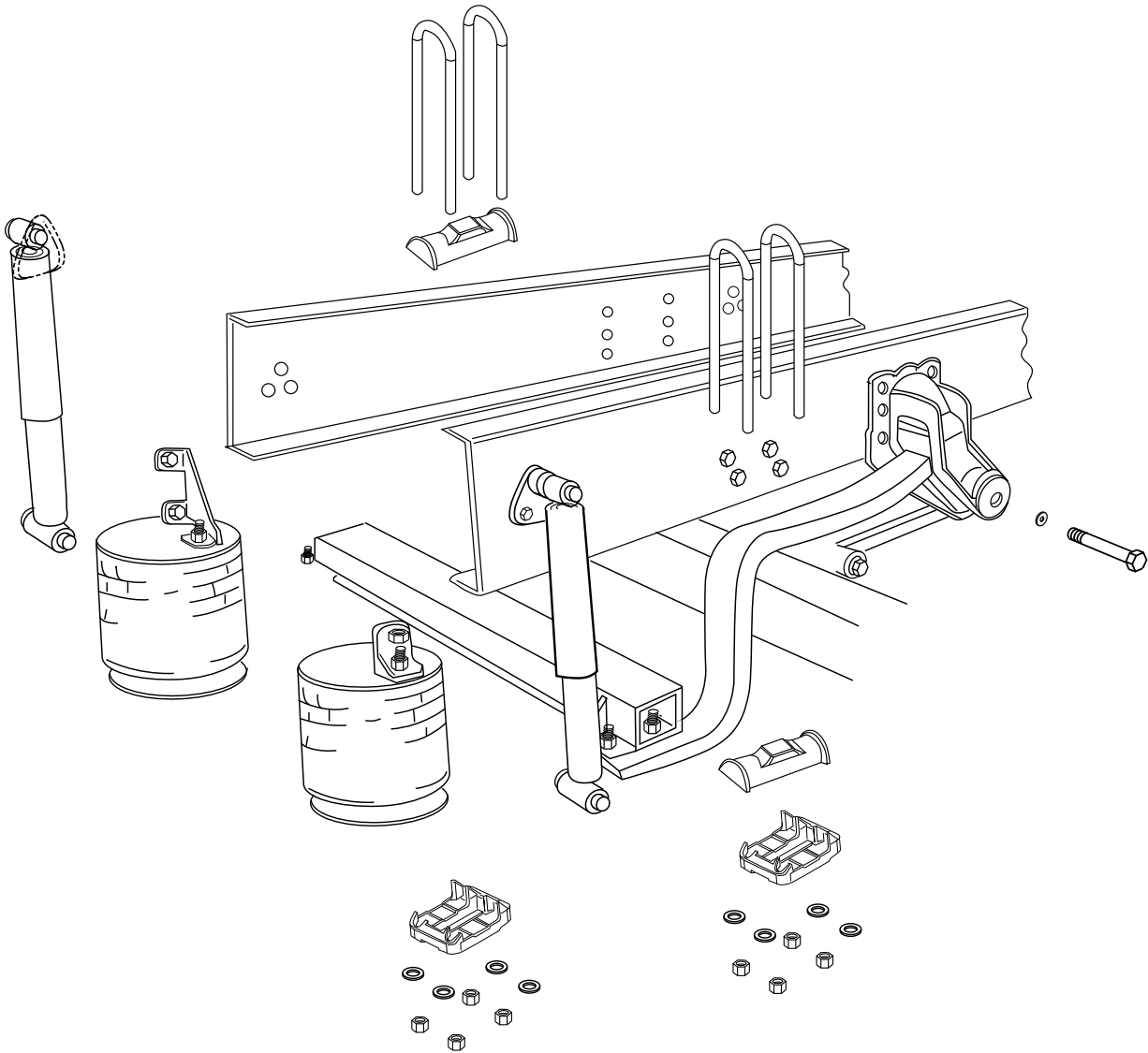
S.O.S. = Available through Meritor's S.O.S. Department.

Continued on next page

REYCO/GRANNING 240AR SUSPENSION

Air Ride - Truck

1



REYCO/GRANNING 240AR SUSPENSION PARTS

Air Ride - Truck

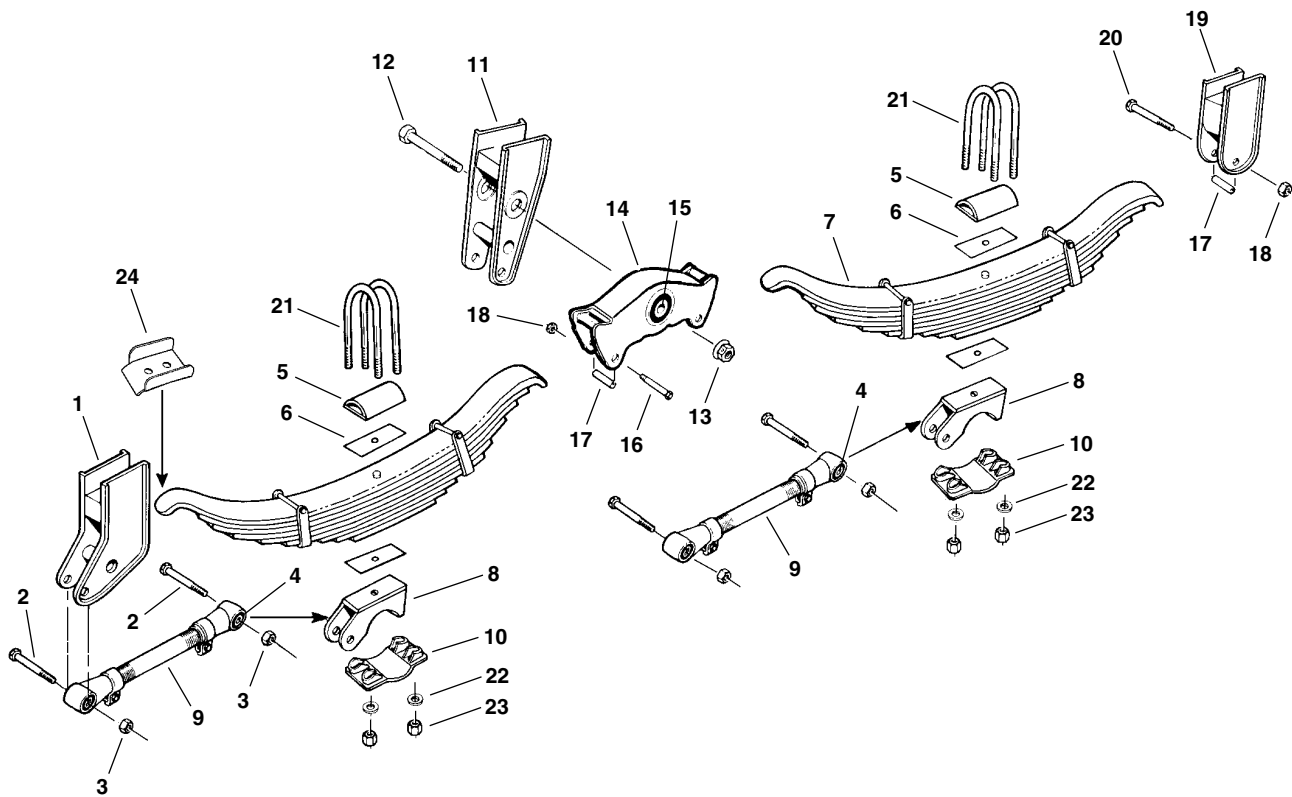
KEY NO.	MERITOR NO.	REPLACES REYCO NO.	DESCRIPTION	17K - 25K	34K - 40K	PAGE NO
				QTY PER AXLE	QTY PER TANDEM	
38	R304961A	14344-01	Lock Nut, 3/4"	4	8	2-34
39	S.O.S.	1289502	Compression Washer, 3/4"	8	16	—
40	S.O.S.	1288802	Sleeve, 1.87" Inc. w/Shock Absorber	As Required		—
41	R302546	T7292	Hardened Washer, 7/8"	8	16	2-35
42	S.O.S.	1641801	Nut, 1/2"-13 UNC	2	4	—
43	S.O.S.	2334808	Height Control Valve Assembly	1	1	—
44	S.O.S.	1291101	Bolt, 1/4"-20 UNC x 1", Gr. 2	2	2	—
45	S.O.S.	1291201	Lock Nut, 1/4"-20 UNC, Gr. 5	2	2	—
46	S.O.S.	1291301	Washer, 1/4"	2	2	—
47	S.O.S.	2094501	Cap Screw 3/8" x 1-1/2"	1	1	—
48	S.O.S.	2106801	Lock Nut, 3/8" UNC	1	1	—
49	S.O.S.	1475001	Angle -Link	1	1	—
50	S.O.S.	2015601	Lower Height Control Valve Bracket	1	1	—
51	S.O.S.	1735401	Bolt, 3/4"-16 UNF x 4-1/2", Gr. 8	2	4	—
52	S.O.S.	2051301	Spacer, 1-1/2" for 10-1/2" Mounting Ht.	2	4	—
53	S.O.S.	2194001	Track Rod -23-1/2"	1	1	—
54	S.O.S.	2034601	Track Rod -21"	—	1	—
55	S.O.S.	1827301	Frame Bracket	1	2	—
56A	S.O.S.	1825102	Axle Bracket, Front Axle	1	1	—
56B	S.O.S.	2164601	Axle Bracket, Rear Axle (Tandem)	—	1	—
57	S.O.S.	2137001	Frame Plate, Track Rod	1	2	—
58	S.O.S.	1291501	Protection Valve and Filter	1	1	—

S.O.S. = Available through Meritor's S.O.S. Department.

REYCO/GRANNING TRANSPRO 86/88 SUSPENSION

Heavy Weight/Super Heavy Weight Trailer

1



LEAF SPRING REFERENCES

SRI No.	
TRA 3339	3 Leaf High Arch
TRA 3340	3 Leaf High Arch
TRA 3341	3 Leaf Lower Arch
TRA 3309	8 Leaf High Arch
TRA 3310	8 Leaf Medium Arch

REYCO/GRANNING TRANSPRO 86/88 SUSPENSION PARTS

Heavy Weight/Super Heavy Weight Trailer

KEY NO.	MERITOR NO.	REPLACES REYCO NO.	DESCRIPTION	QUANTITY PER TANDEM	86	88	PAGE NO.
1	R304807	0311-01	Front Hanger, Flange Mount, Left Hand	1	X	X	1-573
	R304808	311-02	Front Hanger, Flange Mount, Right Hand	1	X	X	1-573
	R304801	0046-00	Front Hanger, Straddle Mount	2	X	X	1-573
	R304804	0049-00	Front Hanger, Under Mount	2	X	X	1-573
2	R304833	0001-08	Bolt	8	X	X	2-32
3	R309607	0002-12	Flanged Lock Nut	8	X	X	2-34
4	R301980 (Rubber)	0022-00	Torque Arm Bushing	8	X	X	1-559
	R307520 (Poly)						
—	R304834A (Rubber)	0022-01K	Torque Arm Bushing Assembly Includes Key Nos. 2, 3, 4.	8	X	X	1-558
	R309551 (Poly)						
5	R302907A	0077-00	Top Plate, Fabricated, 3" Wide	4	X	X	1-564
	R302873	08677-01	Top Plate, Cast, 3" Wide		X	X	1-564
	R302875	T-7175 T-5488	Top Plate, 5" Round Axle		X	X	1-564
	S.O.S.	T-1734	Top Plate, 5" Square Axle		X		—
	S.O.S.	0716-00	Top Plate, 4" x 6" Axle		X		—
6	R302842	0375-00	Delrin Spring Liner	4	X	X	1-561
7	S.O.S.	Various	Spring	4	X	X	—
8	R304814	0636-01	Axle Seat, 5" Round Axle, 1" Height	4	X	X	1-566
	R304815	0636-02	Axle Seat, 5" Round Axle, 2" Height		X	X	1-566
	R304817	0632-01	Axle Seat, 5" Square Axle, 1" Height		X	X	1-566
	R304818	0632-02	Axle Seat, 5" Square Axle, 2" Height		X	X	1-566
9	R304824	1035-20	Adjustable Torque Arm with Bushing, 20" Center-to-Center	2	X	X	1-569
	S.O.S.	1035-23	Adjustable Torque Arm with Bushing, 23" Center-to-Center		X		—
	R304825	0075-20	Rigid Torque Arm with Bushing, 20" Center-to-Center		X	X	1-569
	S.O.S.	0678-00	Rigid Torque Arm with Bushing, 23" Center-to-Center		X		—
10	R302909	0538-00	Bottom Plate, 5" Round Axles	4	X	X	1-564
	R304823	0149-00	Bottom Plate, 5" Square Axles		X	X	1-565
11	R304809	0312-00	Center Hanger, Flange Mount	2	X	X	1-573
	R304802	0062-00	Center Hanger, Straddle Mount		X	X	1-573
	R304805	0065-00	Center Hanger, Under Mount		X	X	1-573
12	R304830	0001-14	Equalizer Bolt	2	X	X	2-32
13	R302892	0274-01	Flanged Nut	2	X	X	2-34
14	R304813	0758-00	Fabricated Equalizer with Bushing	2	X	X	1-552
	R3010250	0850-00	Cast Equalizer with Bushing				1-552
15	R304827	0649-02	Equalizer Bushing, New Style	2	X	X	1-555
	Part of R304832	0106-06	Equalizer Bushing, Old Style Before Sept. 1986.		X	X	1-554
—	R304832	0649-04K	Equalizer Bushing Assembly Includes Key Nos. 12, 13, 15.	2	X	X	1-554
	N/A	0106-07	Equalizer Bushing Assembly, Old Style Before Sept. 1986.		X	X	—

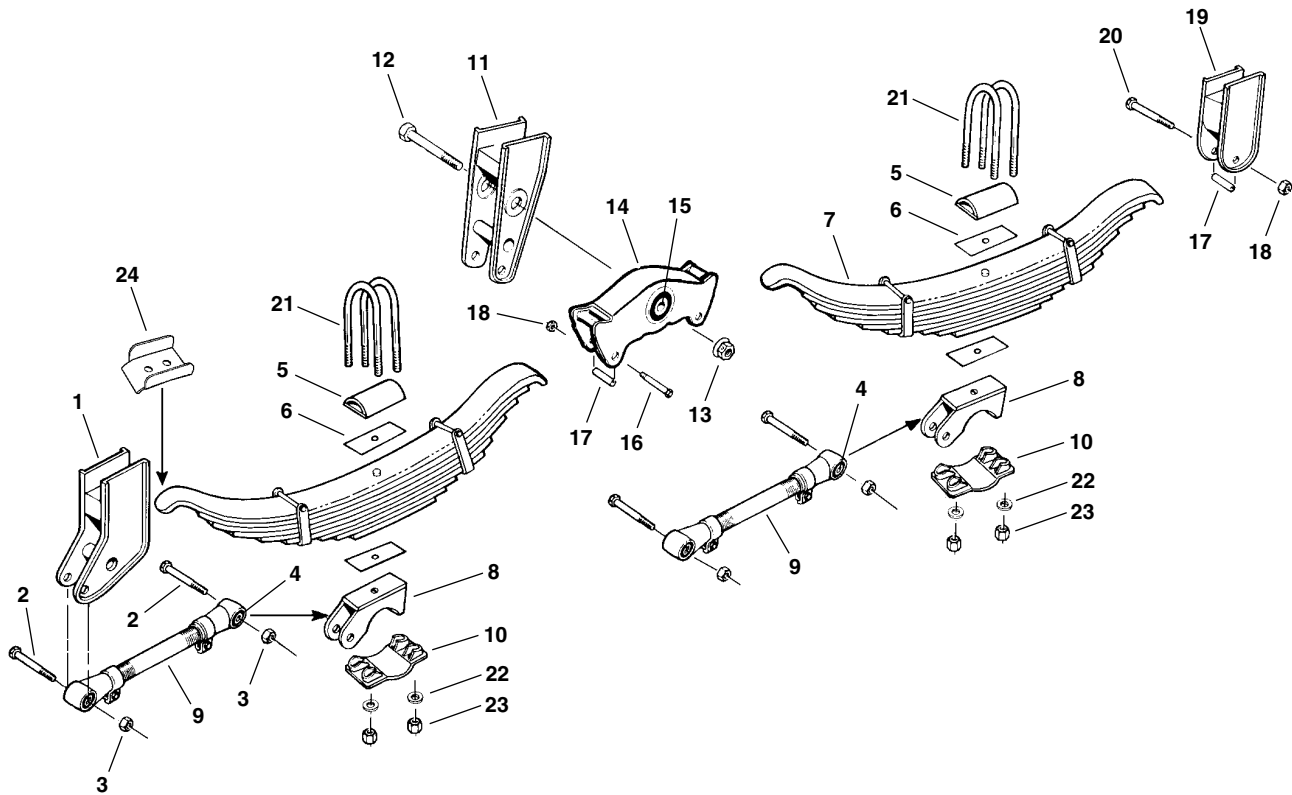
S.O.S. = Available through Meritor's S.O.S. Department
N/A = No Longer Available

Continued on next page

REYCO/GRANNING TRANSPRO 86/88 SUSPENSION

Heavy Weight/Super Heavy Weight Trailer

1



LEAF SPRING REFERENCES

SRI No.

TRA 3339	3 Leaf High Arch
TRA 3340	3 Leaf High Arch
TRA 3341	3 Leaf Lower Arch
TRA 3309	8 Leaf High Arch
TRA 3310	8 Leaf Medium Arch

REYCO/GRANNING TRANSPRO 86/88 SUSPENSION PARTS

Trailer

KEY NO.	MERITOR NO.	REPLACES REYCO NO.	DESCRIPTION	QUANTITY PER TANDEM	86	88	PAGE NO.
16	R303415	0001-04	Bolt	4	X	X	2-32
17	R303416	0741-01	Spring Roller	6	X	X	1-561
18	R302002	0002-07	Nut	6	X	X	2-34
—	R304835	0741-00	Equalizer Spring Roller Assembly Includes Key Nos. 16, 17, 18.	4	X	X	1-562
—	R304837	—	Hanger Spring Roller Assembly Includes Key Nos. 17, 18, 20.	2	X	X	1-562
19	R304810	0313-01	Rear Hanger, Flange Mount, Left Hand	1	X	X	1-573
		0402-01					
	R304811	0313-02	Rear Hanger, Flange Mount, Right Hand	1	X	X	1-573
		0402-02					
	R304803	0051-00	Rear Hanger, Straddle Mount	2	X	X	1-573
		0051-20					
	R304806	0053-00	Rear Hanger, Under Mount	2	X	X	1-573
		0086-00					
20	Part of R304837	0001-02	Bolt	2	X	X	1-562
21	R30U5161-12	0078-10 Thru 18	U-Bolt Assembly Rd. Bend, 7/8"-14 Thd. x 3" Wide x 12" Long	8	X	X	2-27
	R30U5161-13	0078-10 Thru 18	U-Bolt Assembly, Rd. Bend, 7/8"-14 Thd. x 3" Wide x 13" Long		X	X	2-27
	R30U5161-14	0078-10 Thru 18	U-Bolt Assembly, Rd. Bend, 7/8"-14 Thd. x 3" Wide x 14" Long		X	X	2-27
	R30U5161-18	0078-10 Thru 18	U-Bolt Assembly, Rd. Bend, 7/8"-14 Thd. x 3" Wide x 18" Long		X	X	2-27
	R30U5165-14	0102-10 Thru 17	U-Bolt Assembly, Rd. Bend, 7/8"-14 Thd. x 5" Wide x 14" Long		X	X	2-27
	R30U5165-18	0102-10 Thru 17	U-Bolt Assembly, Rd. Bend, 7/8"-14 Thd. x 5" Wide x 18" Long		X	X	2-27
	N/A	0159-12	U-Bolt Assembly, Sq. Bend, 7/8"-14 Thd. x 5" Wide x 12" Long		X	X	—
	R30U8264-12	060-12 Thru 15	U-Bolt Assembly, Sq. Bend, 7/8"-14 Thd. x 4" Wide x 12" Long		X	X	2-27
	R30U8264-14	060-12 Thru 15	U-Bolt Assembly, Sq. Bend, 7/8"-14 Thd. x 4" Wide x 14" Long		X	X	2-27
	R30U8264-16	060-12 Thru 15	U-Bolt Assembly, Sq. Bend, 7/8"-14 Thd. x 4" Wide x 16" Long		X	X	2-28
22	R302546	T-7292	Washer	16	X	X	2-35
23	R303002A	—	Hi-Nut	16	X	X	2-34
24	R304828	0045-00	Hanger Wear Pad	2	X	X	1-574

S.O.S. = Available through Meritor's S.O.S. Department
N/A = No Longer Available

REYCO/GRANNING EQUALIZERS

EQUALIZER - TRAILER




Bushings Not Included

MERITOR NO.	REPLACES	O.A.L.	FOR MODEL
R302846A	Reyco 21725-01 Austempered Ductile Iron	18"	21B

Through 1984
Can Use
R302845

**EQUALIZER - TRUCK
(Ford)**



Bushing Slotted One End
Includes 1 R302849 Bushing

MERITOR NO.	REPLACES	O.A.L.	FOR MODEL
R302844	Reyco 08996-01	16"	Ford 101, 102

EQUALIZER



Includes R304827 Bushing

MERITOR NO.	REPLACES	FOR MODEL	O.A.L.	BUSHING HOLE DIA.
R304813	Transpro 0650-00 0758-00 0058-00	Super Heavy-Duty Model 88	16 1/2"	3 1/4"


HEAVY DUTY EQUALIZER - WITH BUMP STOP



MERITOR NO.	REPLACES	FOR MODEL	O.A.L.	GENERAL INFORMATION
R3010768A	Reyco 25222-01 Austempered Ductile Iron	21B	17 1/2"	44" Axle Spacing. Will need KIT 700073 for Bump Stop, Order through S.O.S.

**EQUALIZER - TRUCK
(Standard)**


1984 and Up
Use R303978



Bushing Slotted Both Sides
Includes Bushing

MERITOR NO.	REPLACES	O.A.L.	FOR MODEL
R302843 (Shown)	Reyco 09120-01	16"	101, 101A, with R301966 Bushing, 1 1/2" I.D. (Not Ford - GMC)
R303978	Reyco 14743-01 14723-01	16"	New version, 101, 101A, 102, with R303977 Bushings No slots


**EQUALIZER - TRUCK
(GMC/Ford)**



Bushings Not Slotted
Includes 1 R302850 Bushing

MERITOR NO.	REPLACES	O.A.L.	FOR MODEL
R302845	Reyco 12859-01 08918-01	16"	GMC 101, 102

CAST EQUALIZER




Includes R304827 Bushing

MERITOR NO.	REPLACES	O.A.L.	FOR MODEL
R3010250	Transpro 0850-00	16 1/2"	Super Heavy-Duty Model 88

REYCO/GRANNING EQUALIZERS

EQUALIZER

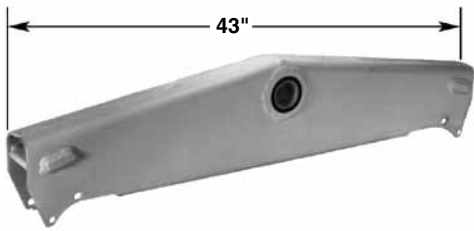


30"

Does Not Includes Bushing

MERITOR NO.	REPLACES	O.A.L.	FOR MODEL
R305245	Reyco 09713-01	30"	21B 60" Widespread

EQUALIZER



43"

Includes Bushing

MERITOR NO.	REPLACES	O.A.L.	FOR MODEL
R305246	Reyco 11143-01	43"	21B 72" Widespread

EQUALIZER




17"

N/A = No Longer Available Includes Bushing

MERITOR NO.	REPLACES	O.A.L.	FOR MODEL
N/A	Reyco 10063-00	17"	73-49"

EQUALIZER

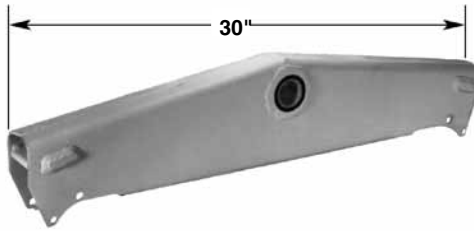


18"

Includes R307713 Bushing

MERITOR NO.	REPLACES	O.A.L.	FOR MODEL
R307709	Reyco 14689-01	18"	83-50" Widespread

EQUALIZER




30"

Includes R307713 Bushing

MERITOR NO.	REPLACES	O.A.L.	FOR MODEL
R307710	Reyco 14696-01	30"	83-60"

EQUALIZER




14"

Includes R301072 Bushing

MERITOR NO.	REPLACES	O.A.L.	FOR MODEL
R309574	Reyco T-3225	14"	86/88

EQUALIZER



24"

Includes Bushing

MERITOR NO.	REPLACES	O.A.L.	FOR MODEL
R309586	Reyco 13806-01	24"	74B-54" Widespread

REYCO/GRANNING EQUALIZER BUSHING ASSEMBLIES

EQUALIZER BUSHING ASSEMBLY (Trailer)



MERITOR NO.	FOR MODEL	INCLUDES
R303976 (Rubber)	Reyco 21B	1 R303972 Shaft 2 R301159 Bushing 2 R301986A Washer
R309555 (Poly) (1" Lock Screws)		2 R301987 Screw 2 R303975 Lock Washer

EQUALIZER BUSHING ASSEMBLY (Standard)



MERITOR NO.	FOR MODEL	INCLUDES
R301970	Reyco 101, 101A, 102	1 R301966 Bushing 1 R301967 Shaft 1 R301968 Nut 1 R301969 Washer

EQUALIZER BUSHING ASSEMBLY



MERITOR NO.	FOR MODEL	INCLUDES
R302848	Reyco 101, 102 GMC/Ford	1 R302850 Bushing 1 R302852 Bolt 1 R302854 Nut 2 R302853 Washer

EQUALIZER BUSHING ASSEMBLY



MERITOR NO.	FOR MODEL	INCLUDES
R302116A	Reyco 21B 60" Widespread	1 R30837 Shaft T-2158 2 — Washer T-2103 2 R30813 Bushing T-2102 2 R303979 Lock Nut 11129-01

EQUALIZER BUSHING ASSEMBLY



MERITOR NO.	FOR MODEL	INCLUDES
R304832 (New Style)	Transpro 86 & 88	1 R304827 Bushing (New Style) 1 R304830 Bolt 1 R302892 Nut

EQUALIZER BUSHING ASSEMBLY Use R302848 For 1984 And Up



MERITOR NO.	FOR MODEL	INCLUDES
R302847	Reyco 101 (Ford)	1 R302849 Bushing 1 R302852 Bolt 1 R302854 Nut 2 R302853 Washer

EQUALIZER CENTER BUSHING ASSEMBLY



N/A = No Longer Available

MERITOR NO.	APPLICATION	FOR MODEL	INCLUDES
N/A	Use on 4 and 7 Leaf Spring Suspensions	Reyco 101F, 181	1 N/A Bushing 1 R303240 Bolt 1 R301828 Nut 2 R302975 Washer

EQUALIZER BUSHING ASSEMBLY



MERITOR NO.	FOR MODEL	INCLUDES
R305247	Reyco 21B 72" Widespread	1 N.S.S. Shaft 11147-01 1 N.S.S. Washer T-2403 1 R301072 Bushing T-3214 1 N.S.S. Lock Nut 11149-01

REYCO/GRANNING EQUALIZER BUSHINGS

EQUALIZER BUSHING (Standard) Old Style					
Use R303977 for 1984 and Up					
Slotted Both Ends					
MERITOR NO.	REPLACES	FOR MODEL	O.D.	I.D.	LENGTH
R301966	Reyco 08363-01	101,101A 102	3 1/8"	1 1/2"	4 1/2"
EQUALIZER BUSHING (GMC/Ford)					
No Slots					
MERITOR NO.	REPLACES	FOR MODEL	O.D.	I.D.	LENGTH
R302850	Reyco 08915-01	GMC 101, 102	3 1/8"	1 1/4"	4 1/2"
EQUALIZER BUSHING (Trailer)					
MERITOR NO.	REPLACES	FOR MODEL	O.D.	I.D.	LENGTH
R301159 (Rubber)	Reyco T-5524	21B	3 3/8"	1 5/8"	4 13/32"
R308653 (Poly)					
EQUALIZER BUSHING					
MERITOR NO.	REPLACES	FOR MODEL	O.D.	I.D.	LENGTH
R307712	Reyco 16095-01	73-49"	3 1/8"	1"	4 1/4"
R307713	Reyco 14682-01	All 83	3 1/8"	1 1/4"	4 5/8"

EQUALIZER BUSHING ASSEMBLY					
MERITOR NO.	FOR MODEL	INCLUDES			
R302118	30, 31, 41, 42	1 R301181	Shaft		
		1 R301072	Bushing		
		1 R30898	Roll Pin		
EQUALIZER BUSHING					
MERITOR NO.	REPLACES	FOR MODEL	O.D.	I.D.	LENGTH
R30813 (Rubber)	Reyco T-2102	21, 21-4, 21SK, 21B 60" Widespread	4 1/16"	2 3/8"	2 9/16"
R308691 (Poly)					
EQUALIZER BUSHING (Ford) Use R302850, 1984 And Up					
Slotted One End					
MERITOR NO.	REPLACES	FOR MODEL	O.D.	I.D.	LENGTH
R302849	Reyco 08995-01	Ford 101	3 1/8"	1 1/4"	4 1/2"
EQUALIZER BUSHING					
Not Offered in Poly					
MERITOR NO.	REPLACES	FOR MODEL	O.D.	I.D.	LENGTH
R304827 (New Style)	Transpro 0649-02	Super Heavy-Duty Model 86 & 88	3 5/16"	1 1/32"	4"

REYCO/GRANNING EQUALIZER BUSHINGS

EQUALIZER BUSHING (Standard) New Style, 1984 And Up



Hardware R309840

No Slots

MERITOR NO.	REPLACES	FOR MODEL	O.D.	I.D.	LENGTH
R303977 (Rubber)	Reyco 14713-01	101, 101A, 102	3 1/8"	1 1/2"	4 1/2"
R308654 (Poly)					

EQUALIZER BUSHING



MERITOR NO.	REPLACES	FOR MODEL	O.D.	I.D.	LENGTH
R301072 (Rubber)	Reyco T-3214	30, 31, 41, 42, 21B 72" Widespread	3 1/8"	2"	4 1/4"
R308688 (Poly)					

EQUALIZER PAD



MERITOR NO.	REPLACES	FOR MODEL
R307717	Reyco 10055-01	73-49"

EQUALIZER CENTER BUSHING



N/A = No Longer Available

MERITOR NO.	REPLACES	FOR MODEL	O.D.	I.D.	LENGTH
N/A	Reyco 13940-01 Ford E1HT5781-BA	Ford 101F, 181	3 1/16"	1"	3 1/4"

EQUALIZER BUSHING



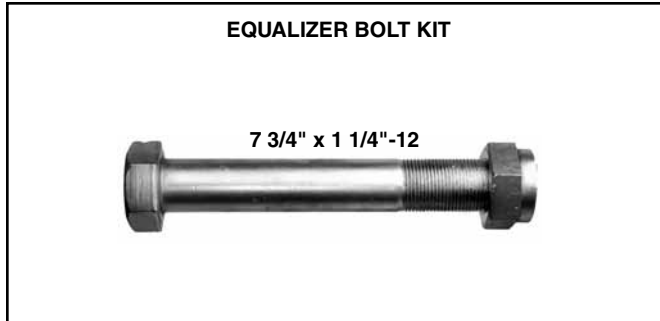
MERITOR NO.	REPLACES	FOR MODEL
R309550	Reyco 13805-01	All 74B Widespreads

EQUALIZER SHAFT NUT

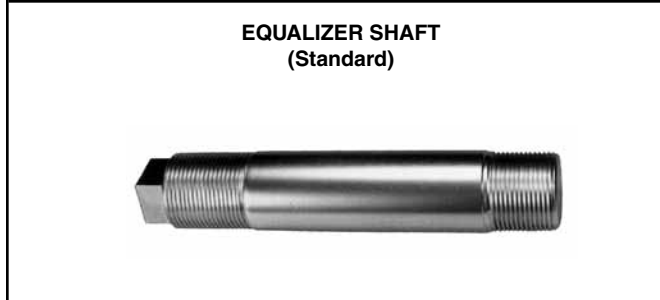


MERITOR NO.	REPLACES	FOR MODEL	THREAD	APPLICATION
R301968	Reyco 08687-01	101 101A, 102	1 7/16" -12	Equalizer

REYCO/GRANNING EQUALIZER HARDWARE



MERITOR NO.	FOR MODEL	INCLUDES
R309538	21B - 60" Spread	1 R302854 Nut 1 R307719 Bolt



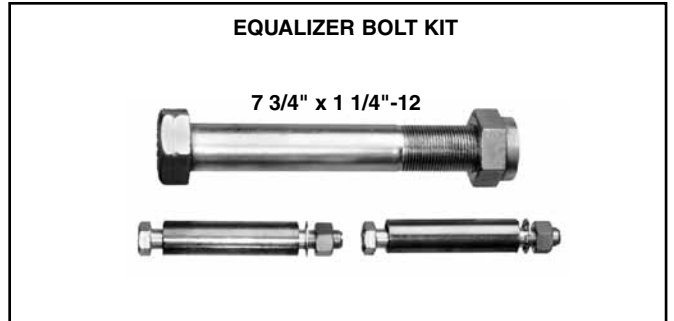
MERITOR NO.	REPLACES	FOR MODEL	O.D.	LENGTH	THREAD
R301967	Reyco 08686-01	101, 101A 102	1 1/2"	8"	1 7/16" -12



MERITOR NO.	REPLACES	FOR MODEL	THREAD
R303979	Reyco 11129-01	21, 21-4 21SK	2 1/2" -16



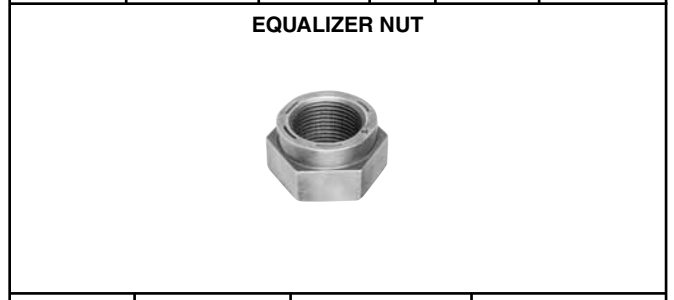
MERITOR NO.	REPLACES	FOR MODEL
R309559	Reyco 11851-01	21B



MERITOR NO.	REPLACES	FOR MODEL	INCLUDES
R307716	Reyco	All 83	1 R307719 Bolt 1 R302854 Nut 2 R301975 Assembly



MERITOR NO.	REPLACES	FOR MODEL	O.D.	LENGTH	NOTE
R303972	Reyco 14247-01	21B	1 5/8"	8 11/16"	1" -8 Bolt Holes at Both Ends



MERITOR NO.	REPLACES	FOR MODEL	THREAD
R302854	Reyco 08914-01	Ford GMC	1 1/4" -12



MERITOR NO.	REPLACES	APPLICATION
R309560	Reyco 11852-01	Equalizer
R309561	Reyco 15630-01	Rear Hanger

REYCO/GRANNING TORQUE ARM BUSHING ASSEMBLIES



MERITOR NO.	FOR MODEL	INCLUDES
R301963 (Rubber)	101 (Torque Leaf) 101A	2 R301964 Bushing 1 R301965 Bolt 1 R304421 Nut
R309548 (Poly)	(Hanger End)	2 R30905 Washer



MERITOR NO.	FOR MODEL	INCLUDES
R309350 (Rubber)	102 (Hanger End)	2 R3011057 Bushing 1 R301166 Bolt
R309583 (Poly)		1 R30937 Nut 2 R30905 Washer



MERITOR NO.	FOR MODEL	INCLUDES
R301313	30, 31, 41, 42	1 R30901 Bolt 1 R301061 Bushing 1 R302983 Nut



MERITOR NO.	FOR MODEL	INCLUDES
R301983	102 (Axle Seat End)	2 R301982 Bushing 1 R30900 Bolt 2 R30907 Washer 1 R304421 Nut



MERITOR NO.	FOR MODEL	INCLUDES
R301312A (Rubber)	21B	2 R301160 Bushing 1 R301166 Bolt
R309545 (Poly)		2 R30907 Washer 1 R301828 Nut




MERITOR NO.	FOR MODEL	INCLUDES
R301981 (Rubber)	101A, 102W, 102AR (Axle Seat End)	1 R301980 Bushing 1 R30901 Bolt
R309552 (Poly)		1 R302983 Nut

R303363	Use on Late Model 101F and 181	1 R303362 Bushing 1 R30901 Bolt 1 R302983 Nut
----------------	--------------------------------	---

R304834A (Rubber)	Heavyweight and Super Heavy-Duty Model 88	1 R301980 Bushing 1 R304833 Bolt
R309551 (Poly)		1 R309607 Nut

R307749	All 73,83	1 R302983 Lock Nut 1 R307750 Bushing 1 R30901 Bolt
----------------	-----------	--

REYCO/GRANNING TORQUE ARM BUSHING ASSEMBLIES

TORQUE ARM BUSHING ASSEMBLY			
			
MERITOR NO.	FOR MODEL	INCLUDES	
R309587	Reyco 74B Tandem 50", 54", 60" Axle Spacing	R301166 R30937 R309549	Bolt Nuts Torque Arm Bushing

REYCO/GRANNING TORQUE ARM BUSHINGS



MERITOR NO.	REPLACES	FOR MODEL	O.D.	I.D.	LENGTH
R303360 (Rubber)	Reyco 13944-01 Ford E1HT5781-0A Was R303246	181 101F	2 3/4"	1 1/2"	3 3/8"



MERITOR NO.	REPLACES	FOR MODEL	SMALL O.D.	LG. O.D.	I.D.	LENGTH
R3011057 (Rubber)	Reyco 21238-01	102	1 13/16"	3 5/32"	1"	2 3/4"
R309579 (Poly)						



MERITOR NO.	REPLACES	FOR MODEL	O.D.	I.D.	LENGTH
R301980 (Rubber)	Reyco 09729-01 Transpro 0022-00	101A	1 29/32"	7/8"	3"
R307520 (Poly)					
R303362 (Rubber)	Reyco 13945-01 Ford E1HT5781-EA	181 101F	2 1/32"	7/8"	3"



MERITOR NO.	REPLACES	FOR MODEL	SMALL O.D.	LG. O.D.	I.D.	LENGTH
R301982 (Rubber)	Reyco T-2242	102	1 3/4"	2 3/8"	1"	2 11/16"
R307522 (Poly)						

REYCO/GRANNING TORQUE ARM BUSHINGS

TORQUE ARM BUSHING



MERITOR NO.	REPLACES	FOR MODEL	SMALL O.D.	LG. O.D.	I.D.	LENGTH
R301160 (Rubber)	Reyco T-5493	21B	1 13/16"	2 3/8"	1"	3"
R307523 (Poly)						

ECCENTRIC BUSHING WITH STEEL INSERT



MERITOR NO.	REPLACES	FOR MODEL	SMALL O.D.	LG. O.D.	LENGTH
R301964 (Rubber)	Reyco T-1723	101 (Torque Leaf)	1 13/16"	3 1/16"	2 7/8"
R308689 (Poly)		101A (Hanger End)			

TORQUE ARM BUSHING



MERITOR NO.	REPLACES	FOR MODEL	O.D.	I.D.	LENGTH
R307750 (Rubber)	Reyco 10051-01	All 73, 83	1 29/32"	7/8"	3 3/8"

TORQUE ARM BUSHING



MERITOR NO.	REPLACES	FOR MODEL	O.D.	I.D.	LENGTH
R309549 (Rubber)	Reyco 15737-01	All 74B Widespread	2 3/8"	1"	4"


REYCO/GRANNING TORQUE ROD BRACKET KITS


TORQUE ARM BRACKET KIT




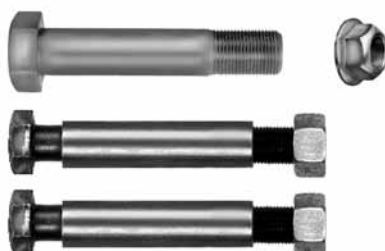
MERITOR NO.	REPLACES	FOR MODEL
R309358	Reyco 21491-01	21AR, 86AR



REYCO/GRANNING TORQUE ARM HARDWARE

TORQUE ARM BOLT Hanger End				
				
Flat on one side				
MERITOR NO.	REPLACES	FOR MODEL	THREAD	LENGTH
R301965	Reyco 17210-01	101 101A	1"-8	7 1/2"
R303247	Reyco 11824-01 Ford D8HZ5882C	181 101F	1"-8	6"

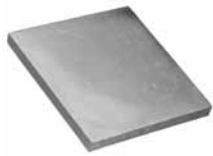

BEAM END BUSHING					
					
MERITOR NO.	REPLACES NEWAY	FOR MODEL	O.D.	I.D.	LENGTH
R302936	Neway 90008005 Reyco 0926-00 Trailmobile 30-90008005	ART-500-US	3 1/4"	2 1/2"	9"


REYCO/GRANNING SUSPENSION PARTS

SHACKLE BOLT 7 Leaf Suspension				
				
N/A = No Longer Available				
MERITOR NO.	REPLACES	THREAD	LENGTH	
N/A	Reyco 12492-01 Ford D8HZ5A611C	3/4" -10	4 1/4"	
BOLT ASSEMBLY				
				
MERITOR NO.	REPLACES	QTY	MERITOR NO.	DESCRIPTION
R3013901	Reyco —	2 2 2 1 1	R302002 R303416 S.O.S. R304830 R302892	Nut Sleeve Bolt Bolt Lock Nut



EQUALIZER SHACKLE BUSHING					
					
MERITOR NO.	REPLACES	FOR MODEL	O.D.	I.D.	O.A.L.
R303359	Reyco 13941-01 Ford E1HT5781-CA	181 101F	2 3/8"	3/4"	3"
DELFIN SPRING LINER PAD					
					
MERITOR NO.	REPLACES	FOR MODEL	WIDTH	LENGTH	THICK-NESS
R302842	Reyco T-5166	102AR series	2 7/8"	8"	.043"



REYCO/GRANNING SUSPENSION PARTS

RUBBER PAD 					
MERITOR NO.	REPLACES	FOR MODEL	DIMENSIONS		
R309543	Reyco 08605-01	70B	4" x 4" x 3/8"		
TRUNNION BUSHING 					
MERITOR NO.	REPLACES	FOR MODEL	O.D.	I.D.	O.A.L.
R309544	Reyco T-5711	70B	5"	4"	9 3/8"

SHACKLE LOCK STRIP 7 Leaf Suspension 			
MERITOR NO.	REPLACES	FOR MODEL	APPLICATION
R303244	Reyco 12488-01 Ford D8HZ5A879A	181 101F	Crimp tabs over head of bolt to prevent bolt turning

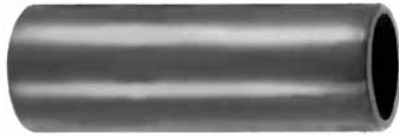
REYCO/GRANNING HANGER & SPRING HARDWARE

REAR HANGER BUSHING ASSEMBLY 					
MERITOR NO.	FOR MODEL	INCLUDES			
R302024	101, 101A, 102 102AR	1 R302022 Bolt	1 R301061 Bushing	1 R301971 Roller	1 S.O.S. Washer
		1 N.S.S. Nut			
EQUALIZER SPRING ROLLER ASSEMBLY 					
MERITOR NO.	REPLACES	FOR MODEL	INCLUDES		
R304835	Transpro 0741-00	Heavyweight and Super Heavy-Duty Model 88	1 R303416 Roller	1 R303415 Bolt	1 R302002 Nut

SPRING ROLLER ASSEMBLY 			
MERITOR NO.	FOR MODEL	INCLUDES	
R301975	All Non-Transpro Models	1 R301972 Bolt 1 R301971 Roller 1 R005032 Nut 1 R301974 Washer	
HANGER SPRING ROLLER ASSEMBLY 			
Use with R304803, R304810, R304811 Hangers			
MERITOR NO.	REPLACES	FOR MODEL	INCLUDES
R304837	—	Super Heavy-Duty Model 88	1 R303416 Roller 1 N.S.S. Bolt 1 R302002 Nut

REYCO/GRANNING HANGER & SPRING HARDWARE

SPRING ROLLER



MERITOR NO.	REPLACES	FOR MODEL	O.D.	I.D.	LENGTH
R301971	Reyco T-2106	All Non-Transpro Models	27/32"	5/8"	3 5/16"

REAR HANGER BUSHING



MERITOR NO.	REPLACES	FOR MODEL	O.D.	I.D.	LENGTH
R301061 (Rubber)	Reyco T-3016	101, 101A, 102	1 29/32"	7/8"	3"

REAR HANGER PAD ASSEMBLY



MERITOR NO.	REPLACES	FOR MODEL
R302867A	Reyco TK15161	101, 101A, 102

If you detect any **errors** in this Catalog, please let us know.



We want the information to be as accurate as possible; we appreciate your help in making it so.

Write or call: **Catalog Corrections**
ArvinMeritor, Inc.
 7975 Dixie Highway
 Florence, KY 41042-2754
catalogfeedback@arvinmeritor.com

S.O.S.

Special Order Service

Can't find it? Trouble sourcing products? Need assistance?

Let Meritor's Special Order Service (S.O.S.) help you find your Reyco parts.

Meritor's position as the market leader provides you access to a comprehensive array of truck parts products from the industry's leading manufacturers. Through Meritor, these entire product lines are available to you just by placing a phone call to Meritor's S.O.S. Department.

REYCO/GRANNING SUSPENSION PARTS

TOP PLATE
Cast



TOP PLATE



MERITOR NO.	REPLACES	FOR MODEL
R302873	Reyco 08677-01 08065-01 11808-01 Ford D8H25708A	All Models with Inverted U-Bolts

MERITOR NO.	REPLACES	FOR MODEL
R302875	Reyco T-7175 (New) T-5488 (Old)	21B with Conventional Mounted U-Bolts

TOP PLATE
Inverted U-Bolt Mounting



TOP PLATE



MERITOR NO.	REPLACES	FOR MODEL
R302907A	Reyco 0077-00	60" and 72" All Axles and Model 88

MERITOR NO.	REPLACES	FOR MODEL	DIMENSIONS
R309353	Reyco 1098-00	86AR	3" Wide x 7" Long

TOP PLATE



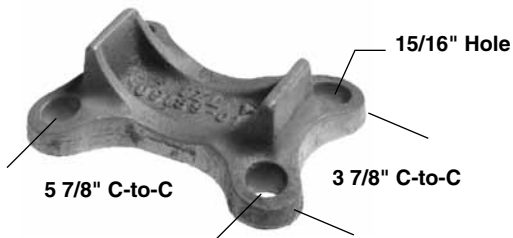
TOP PLATE
5" Square Axle



MERITOR NO.	REPLACES	FOR MODEL
R309553	Reyco 20050-01	21AR

MERITOR NO.	REPLACES	FOR MODEL
R309554	Reyco T-1734 Reyco Canada	21B

BOTTOM PLATE
Round Axle



BOTTOM PLATE
FOR 5" ROUND AXLE



MERITOR NO.	REPLACES	FOR MODEL
R302874	Reyco 09139-01	21B with Inverted U-Bolt Application

MERITOR NO.	REPLACES	FOR MODEL
R302909	Transpro 0538-00	Heavyweight and Super Heavy-Duty Model 88

REYCO/GRANNING SUSPENSION PARTS

**BOTTOM PLATE
FOR NO-HOP 5" ROUND AXLE**



Use with R304816 or
R304839 Axle Seat on
Rear Axle for No-Hop Feature

MERITOR NO.	REPLACES	FOR MODEL
R304822	Transpro 0415-00	Heavyweight and Super Heavy-Duty Model 88

**BOTTOM PLATE
FOR NO-HOP 5" SQUARE AXLE**



Use with R304819 or
R304838 Axle Seat on
Rear Axle for No-Hop Feature

MERITOR NO.	REPLACES	FOR MODEL
R304840	Transpro 0416-00	Heavyweight and Super Heavy-Duty Model 88

**BOTTOM PLATE
FOR 5" SQUARE AXLE**



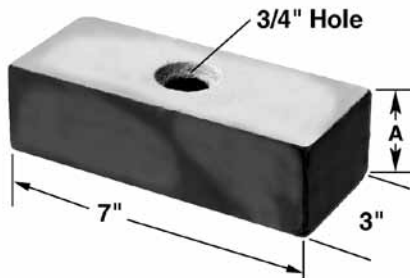
MERITOR NO.	REPLACES	FOR MODEL
R304823	Transpro 0149-00	Heavyweight and Super Heavy-Duty Model 88

BOTTOM PLATE



MERITOR NO.	REPLACES	FOR MODEL
R305253	Reyco T-5727	60" Underslung 5" Round Axles

SPACER BLOCK



MERITOR NO.	REPLACES	FOR MODEL	A	TYPE
R309562	Reyco T-7555	21B	1/2"	Fabricated
R309563	Reyco 24081-1		1"	Ductile Iron
R309564	Reyco 24082-1		1 1/2"	Ductile Iron
R302878	Reyco 24083-1		2"	Ductile Iron

REYCO/GRANNING SUSPENSION PARTS

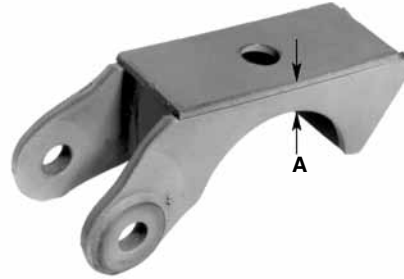
AXLE SEAT
New Style 7 Leaf & Old Style 4 Leaf



O.E.M. number stamped on part for identification.

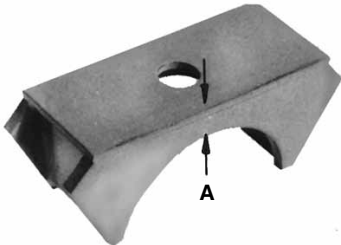
MERITOR NO.	REPLACES	FOR MODEL	SPRING LEAVES	ANGLE	USE WITH
R303258	Reyco 12763-01 Ford E0HZ5793B	Eaton Front	7	4°	R303264 or R303265

AXLE SEAT



MERITOR NO.	REPLACES	FOR MODEL	AXLE SEAT HEIGHT "A"
R304814	Transpro 0636-01	Heavyweight and Super Heavy-Duty Model 88, 86AR	1"
R304815	Transpro 0636-02		2"

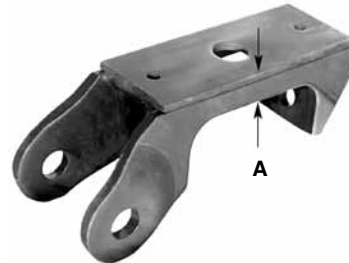
AXLE SEAT FOR NO-HOP
5" Round Axle



Use with R304822
Bottom Plate on Rear Axle for No-Hop Feature

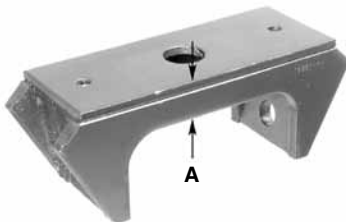
MERITOR NO.	REPLACES	FOR MODEL	AXLE SEAT HEIGHT "A"
R304816	Transpro 0637-01	Heavyweight and Super Heavy-Duty Model 88	1"
R304839	Transpro 0637-02		2"

AXLE SEAT
5" Square Axle



MERITOR NO.	REPLACES	FOR MODEL	AXLE SEAT HEIGHT "A"
R304817	Transpro 0632-01	Heavyweight and Super Heavy-Duty Model 88	1"
R304818	Transpro 0632-02		2"

AXLE SEAT FOR HOP
5" Square Axle



Use with R304840
Bottom Plate on Rear Axle for No-Hop Feature

MERITOR NO.	REPLACES	FOR MODEL	AXLE SEAT HEIGHT "A"
R304819	Transpro 0635-01	Heavyweight and Super Heavy-Duty Model 88	1"
R304838	Transpro 0635-02		2"

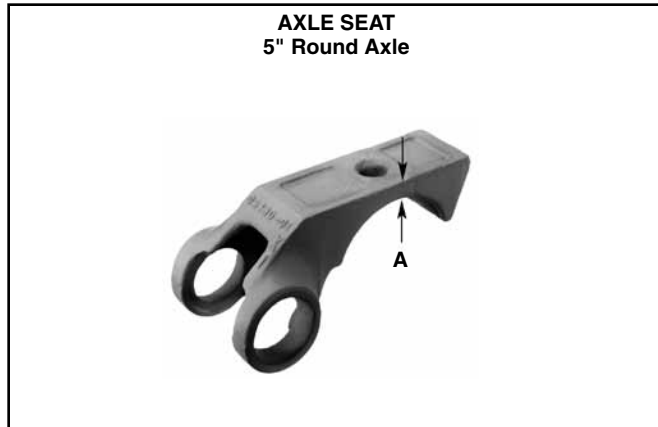
AXLE SEAT



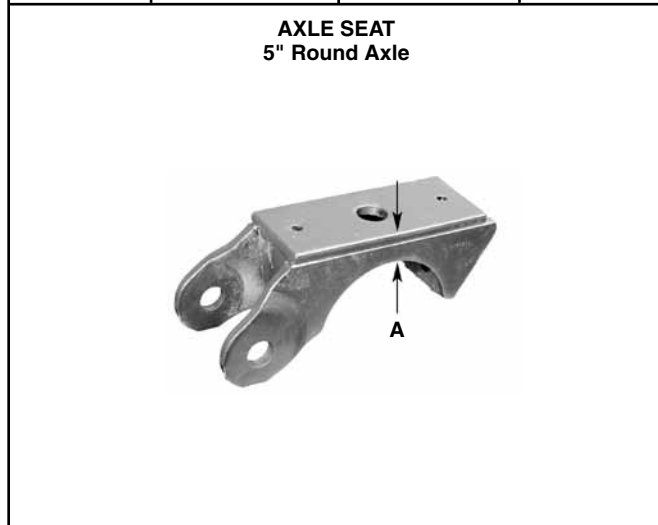
MERITOR NO.	REPLACES	FOR MODEL
R305085	Reyco T-7650	21B with 4" x 6" Rectangular Axles

1

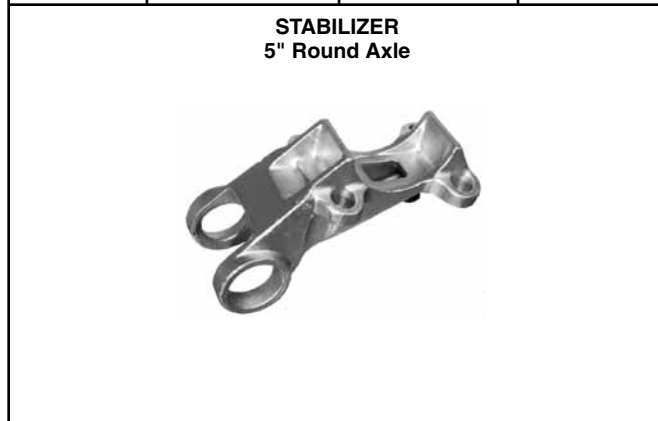
REYCO/GRANNING SUSPENSION PARTS



MERITOR NO.	REPLACES	FOR MODEL	A
R305254	Reyco 09730-01	21B, 60" and 72" Spreads with Fabricated Hangers	3/4"
R309557	Reyco 08757-01		3 1/4"



MERITOR NO.	REPLACES	FOR MODEL	A
R309355	Reyco 0636-025	86AR	2 5/8"



MERITOR NO.	REPLACES	FOR MODEL
R309558	Reyco 08480-01	21B



N/A = No Longer Available

MERITOR NO.	REPLACES	FOR MODEL
N/A	Reyco T-3013	1" Seat Height For All 73, 83 Models





MERITOR NO.	REPLACES	FOR MODEL
R309573	Reyco 07980-01	21B with with 5" x 5" Square Axle





MERITOR NO.	REPLACES	FOR MODEL
R309572	Reyco 08061-01	21B with with 5" x 5" Square Axle

REYCO/GRANNING TORQUE ARMS

REYCO

		ADJUSTABLE						
								
		TYPE 1			TYPE 2			
MERITOR NO.	REPLACES REYCO NO.	FOR MODEL	USE HANGER END BUSHING	USE AXLE SEAT END BUSHING	HANGER END BUSHING ASSEMBLY	AXLE SEAT END BUSHING ASSEMBLY	LENGTH Center-to-Center	TYPE
R302512	T-3683 T-3036	31, 41, 42	R301061 or R301980	R301061 or R301980	R301313 or R301981	R301313 or R301981	14 3/4" to 18"	2
R302513	T-3035 T-3343	31, 41, 42	R301061 or R301980	R301061 or R301980	R301313 or R301981	R301313 or R301981	18 1/2" to 21 3/8"	2
R303283A	T-5485 15172-01	21B	R301160	R301160	R301312A	R301312A	15 1/2" to 17 1/2"	1
R303284A	T-5486 15173-01	21B	R301160	R301160	R301312A	R301312A	17 1/2" to 19 1/2"	1
R302866A	T-7434 15354-01	102	R3011057	R301982	R309350	R301983	19 1/2" to 21 3/4"	1
R303764	15187-01	102W	R3011057	R301980	R309350	R301981	17 1/2" to 19 1/2"	1
R304796	15186-01	102AR 102W	R3011057	R301980	R309350	R301981	19 1/2" to 21 1/2"	1
R305255A	09682-01 15176-01	102	R3011057	R301982	R309350	R301983	24" to 26"	1
R307741	16031-01	All 73 & 83	R307750	R301980	R307749	R301981	12 3/4" to 15"	2
R307742	16032-01	73-49" & 72" 83-50" & 72"	R307750	R301980	R307749	R301981	19 1/2" to 21 3/4"	2
R307743	16034-01	73, 83-60"	R307750	R301980	R307749	R301981	24" to 26 1/4"	2

		ADJUSTABLE			RIGID	
						
MERITOR NO.	REPLACES REYCO NO.	FOR MODEL	BUSHING NO.	BUSHING KIT NO.	LENGTH Center-to-Center	
R309584 Adjustable	16595-01	74B, 74AR			13" to 15"	
R309620 Adjustable	16596-01		R309549	R309549	21 1/4"	
R309585 Rigid	16585-01				14 1/4"	
R309619 Rigid	16588-01				21 1/4"	

REYCO/GRANNING TORQUE ARMS

RIGID



TYPE 1



TYPE 2



TYPE 3



TYPE 4

MERITOR NO.	REPLACES REYCO NO.	FOR MODEL	HANGER END BUSHING	AXLE SEAT END BUSHING	HANGER END BUSHING KIT	AXLE SEAT END BUSHING KIT	LENGTH Center-to-Center	TYPE
R302855	T-7635 15178-01	21B	R301160	R301160	R301312A	R301312A	16 1/4"	1
R302856	T-2293 15179-01	21B	R301160	R301160	R301312A	R301312A	18 7/8"	1
R302859	10937-01	101A 102W	R301964 (101A) N/A (102W)	R301980	R301963 (101A) R309350 (102W)	R301981	19 5/16"	3
R302860	11012-03 10938-01	101A (GMC) 102W	R301964 (101A) N/A (102W)	R301980	R301963 (101A) R309350 (102W)	R301981	20 1/2"	3
R302858	09481-01 15012-01	102	R3011057	R301982	R309350	R301983	21"	1
R305256	09686-01	21B	R301160	R301160	R301312A	R301312A	25"	1
R307744	10040-01	All 73, 83	R307750	R301980	R307749	R301981	14 5/8"	4

ADJUSTABLE



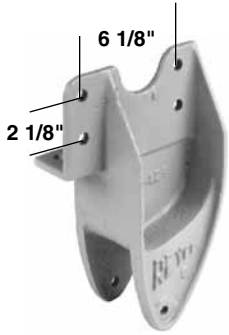



RIGID Heavy-Duty — Cast





MERITOR NO. WITH BUSHINGS	REPLACES	FOR MODEL	MERITOR BUSHING NO.	MERITOR BUSHING KIT NO.	LENGTH Center-to-Center
R304824 Adjustable	Transpro & Binkley 0030-20 1035-20	Heavyweight and Super Heavy-Duty Model 88	R301980	R304834A	18 1/4" to 20 3/4"
R304825 Rigid	Transpro 0075-20		R301980	R304834A	19 7/8"

REYCO/GRANNING SPRING HANGERS

FRONT FLANGE MOUNT HANGER	MERITOR NO.	REPLACES	FOR MODEL
	R302879	Reyco T-5424 Right Hand Drilled	21B
	R302880 (Shown)	Reyco T-5425 Left Hand Drilled	21B
CENTER FLANGE MOUNT HANGER	MERITOR NO.	REPLACES	FOR MODEL
	R302881	Reyco T-5426 Drilled	21B
REAR FLANGE MOUNT HANGER	MERITOR NO.	REPLACES	FOR MODEL
<p>All Holes 5/8"</p> 	R302882	Reyco T-5428 Right Hand Drilled	21B
	R302883 (Shown)	Reyco T-5429 Left Hand Drilled	21B



FRONT UNDER MOUNT HANGER	MERITOR NO.	REPLACES	FOR MODEL
	R305257 (Shown)	Reyco T-5563 LeftHand	All 21B
	R305258	Reyco T-5562 Right Hand	All 21B
CENTER UNDER MOUNT HANGER	MERITOR NO.	REPLACES	FOR MODEL
	R305259	Reyco T-5564	Standard 21B
REAR UNDER MOUNT HANGER	MERITOR NO.	REPLACES	FOR MODEL
	R305260 (Shown)	Reyco T-5565 Left Hand	All 21B
	R305261	Reyco T-5566 Right Hand	All 21B


REYCO/GRANNING SPRING HANGERS

FRONT UNDER MOUNT HANGER	MERITOR NO.	REPLACES	FOR MODEL	CENTER UNDER MOUNT HANGER	MERITOR NO.	REPLACES	FOR MODEL
	R309537	Reyco 09832-01	21B 60"- 72"		R305263	Reyco 11150-01	21B 72"
CENTER UNDER MOUNT HANGER	MERITOR NO.	REPLACES	FOR MODEL	CENTER UNDER MOUNT HANGER	MERITOR NO.	REPLACES	FOR MODEL
	R309539	Reyco 14684-01	21B 60"		R305262	Reyco T-2212-5	21B 60" Spread
TORQUE ARM ATTACHMENT BRACKET	MERITOR NO.	REPLACES	FOR MODEL	REAR UNDER MOUNT HANGER	MERITOR NO.	REPLACES	FOR MODEL
	R305264	Reyco 11610-01	21B 72" Spread		R309541	Reyco 08595-01	21B 60"-72"

1










REYCO/GRANNING SPRING HANGERS

FRONT FLANGE MOUNT HANGER	MERITOR NO.	REPLACES	FOR MODEL
	R302884	Reyco 22272-02 Right Hand Undrilled	101 101A 102
	R302885 (Shown)	Reyco 22272-01 Left Hand Undrilled	101 101A 102
REAR FLANGE MOUNT HANGER	MERITOR NO.	REPLACES	FOR MODEL
	R302887 (Shown)	Reyco 22299-01 Left Hand Undrilled	101 101A 102
	R302888	Reyco 22299-02 Right Hand Undrilled	101 101A 102


CENTER FLANGE MOUNT HANGER	MERITOR NO.	REPLACES	FOR MODEL
 <p>Not for GM/Volvo or Ford Hole is too big for Equalizer Bolt.</p> <p>Use S.O.S. 22536-01 1 1/4" Hole w/o Mounting Holes Drilled Ford / GM only</p>	R302886 (Shown)	Reyco 22274-01 Undrilled	101 101A 102
	R3014388	Reyco 22273-01 Drilled	101 101A 102


1


REYCO/GRANNING TRANSPRO SPRING HANGERS


<p>FRONT HANGER</p>  <p>Straddle Mount</p>			<p>CENTER HANGER</p>  <p>Straddle Mount</p>			<p>REAR HANGER</p>  <p>Straddle Mount</p>		
MERITOR NO.	REPLACES TRANSPRO	FOR MODEL	MERITOR NO.	REPLACES TRANSPRO	FOR MODEL	MERITOR NO.	REPLACES TRANSPRO	FOR MODEL
R304801	0046-20 Model 88 (Also replaces 0046-00 Heavyweight)	Heavyweight and Super Heavy-Duty Model 88	R304802	0062-20 Model 88 (Also replaces 0062-00 Heavyweight)	Heavyweight and Super Heavy-Duty Model 88	R304803	0051-20 Model 88 (Also replaces 0051-00 Heavyweight)	Heavyweight and Super Heavy-Duty Model 88
<p>FRONT HANGER</p>  <p>Under Mount</p>			<p>CENTER HANGER</p>  <p>Under Mount</p>			<p>REAR HANGER</p>  <p>Under Mount</p>		
MERITOR NO.	REPLACES TRANSPRO	FOR MODEL	MERITOR NO.	REPLACES TRANSPRO	FOR MODEL	MERITOR NO.	REPLACES TRANSPRO	FOR MODEL
R304804	0084-00 Model 88 (Also replaces 0049-00 Heavyweight)	Heavyweight and Super Heavy-Duty Model 88	R304805	0088-00 Model 88 (Also replaces 0065-00 Heavyweight)	Heavyweight and Super Heavy-Duty Model 88	R304806	0086-00 Model 88 (Also replaces 0053-00 Heavyweight)	Heavyweight and Super Heavy-Duty Model 88
<p>FRONT HANGER</p>  <p>Flange Mount</p>			<p>CENTER HANGER</p>  <p>Flange Mount</p>			<p>REAR HANGER</p>  <p>Flange Mount</p>		
MERITOR NO.	REPLACES TRANSPRO	FOR MODEL	MERITOR NO.	REPLACES TRANSPRO	FOR MODEL	MERITOR NO.	REPLACES TRANSPRO	FOR MODEL
R304807 Left (Shown)	0400-01 Model 88 (Also replaces 0311-01 Heavyweight)	Heavyweight and Super Heavy-Duty Model 88	R304809	0401-00 Model 88 (Also replaces 0312-00 Heavyweight)	Heavyweight and Super Heavy-Duty Model 88	R304810 Left (Shown)	0402-01 Model 88 (Also replaces 0313-12 Heavyweight)	Heavyweight and Super Heavy-Duty Model 88
R304808 Right	0400-02 Model 88 (Also replaces 0311-02 Heavyweight)					R304811 Right	0402-02 Model 88 (Also replaces 0313-01 Heavyweight)	

REYCO/GRANNING SUSPENSION PARTS

REAR HANGER	MERITOR NO.	REPLACES	FOR MODEL
	R307739	Reyco 14999-01	All 83

HANGER AND WEAR PAD ASSEMBLY	MERITOR NO.	REPLACES	FOR MODEL
	R304795	Reyco 22521-02 Right Hand	102AR
	R304794 (Shown)	Reyco 22521-01 Left Hand	102AR

STRADDLE MOUNT HANGER	MERITOR NO.	REPLACES	FOR MODEL
	R309351A	Reyco 22662-01	86AR

WEAR PAD		
		
MERITOR NO.	REPLACES	FOR MODEL
R304828	Transpro 0045-00	Heavyweight and Super Heavy-Duty Model 88

S.O.S. Special Order Service

Can't find it? Trouble sourcing products? Need assistance?

Let Meritor's Special Order Service (S.O.S.) help you find your Reyco parts.

Meritor's position as the market leader provides you access to a comprehensive array of truck parts products from the industry's leading manufacturers. Through Meritor, these entire product lines are available to you just by placing a phone call to Meritor's S.O.S. Department.

NOTES

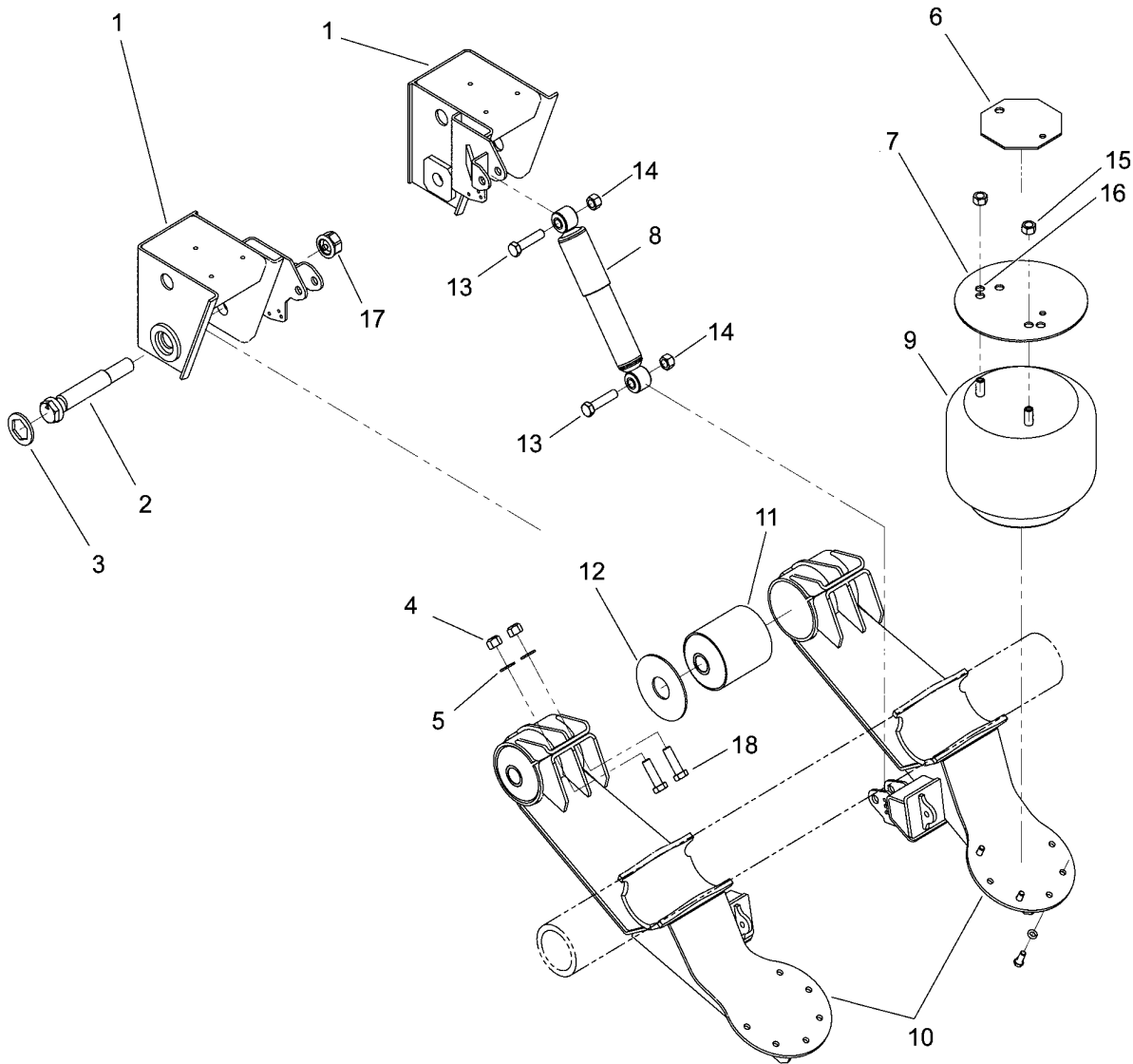
A large, empty rectangular box with a black border, intended for handwritten notes.

RIDEWELL SUSPENSION

MONOPIVOT RAR-240 SERIES

Underslung - 25,000 lb. Capacity

Manufactured after 10/1/1995



1

RIDEWELL SUSPENSION PARTS

MONOPIVOT RAR-240 SERIES

Underslung - Manufactured after 10/1/1995

KEY NO.	MERITOR NO.	REPLACES RIDEWELL NO.	DESCRIPTION	QTY PER AXLE						PAGE NO.
				MODEL 2400306	MODEL 2400308	MODEL 2404105*	MODEL 2404106**	MODEL 2404107***	MODEL 2404108****	
1	S.O.S.	3267744C106	Hanger Assembly (LH)	1						—
	S.O.S.	3267744C206	Hanger Assembly (RH)	1						—
	S.O.S.	3267744C108	Hanger Assembly (LH)		1					—
	S.O.S.	3267744C208	Hanger Assembly (RH)		1					—
	S.O.S.	3267744C105	Hanger Assembly (LH)			1				—
	S.O.S.	3267744C205	Hanger Assembly (RH)			1				—
	S.O.S.	3267744C106	Hanger Assembly (LH)				1			—
	S.O.S.	3267744C206	Hanger Assembly (RH)				1			—
	S.O.S.	3267744C107	Hanger Assembly (LH)					1		—
	S.O.S.	3267744C207	Hanger Assembly (RH)					1		—
	S.O.S.	3267744C108	Hanger Assembly (LH)						1	—
S.O.S.	3267744C208	Hanger Assembly (RH)						1	—	
2	S.O.S.	1137694B000	Eccentric Bolt	2	2	2	2	2	2	—
3	S.O.S.	9003092B000	Anti-Turn Washer	2	2	2	2	2	2	—
4	S.O.S.	1150709B105	Nut - 3/4"	2	2	2	2	2	2	—
5	S.O.S.	1167140B100	Washer - 3/4"	2	2	2	2	2	2	—
6	S.O.S.	7001723B000	Alternate Air Spring Support Plate				2	2	2	—
7	S.O.S.	7000407	Standard Air Spring Support Plate	2	2	2				—
8	S.O.S.	1270563B003	Shock Absorber	2	2	2	2	2	2	—
9	S.O.S.	1000003	Air Spring	2						—
	S.O.S.	1000001			2					—
	S.O.S.	1003589334C				2				—
	S.O.S.	1003588802X					2			—
	S.O.S.	1003589010C						2		—
	S.O.S.	1003589082C							2	—
10	S.O.S.	4280023	Trailing Arm Beam - w/o assembly	1	1					—
	S.O.S.	4280024	Trailing Arm Beam - w/o assembly	1	1					—
	S.O.S.	4287744D100	Trailing Arm Beam - w/o assembly (LH)			1	1	1	1	—
	S.O.S.	4287744D200	Trailing Arm Beam - w/o assembly (RH)			1	1	1	1	—
11	S.O.S.	1117680B075	Pivot Bushing	2	2	2	2	2	2	—
12	S.O.S.	1167680B000	Wear Washer, Plastic	2	2	2	2	2	2	—
13	S.O.S.	1147698B105	Bolt - Shock Attaching Hardware	4	4	4	4	4	4	—
14	S.O.S.	1150709B105	Nut - 3/4"	4	4	4	4	4	4	—
15	S.O.S.	1145383B105	Bolt - Air Spring Attaching Hardware	6	6		6	6	6	—
16	S.O.S.	1160556B100	Washer - Air Spring Attaching Hardware	6	6		6	6	6	—
17	S.O.S.	1150033	Sucurelok Nut	2	2	2	2	2	2	—
18	S.O.S.	1140604B108	Bolt - 3/4"	4	4	4	4	4	4	—
Not Shown	R3014376	6040029	Bushing Replacement Kit	1	1	1	1	1	1	—

S.O.S. = Available through Meritor's S.O.S. Department

* Model number 2404105 formally known as model 2407744D105

** Model number 2404106 formally known as model 2407744D106 and 306

*** Model number 2404107 formally known as model 2407744D107 and 307

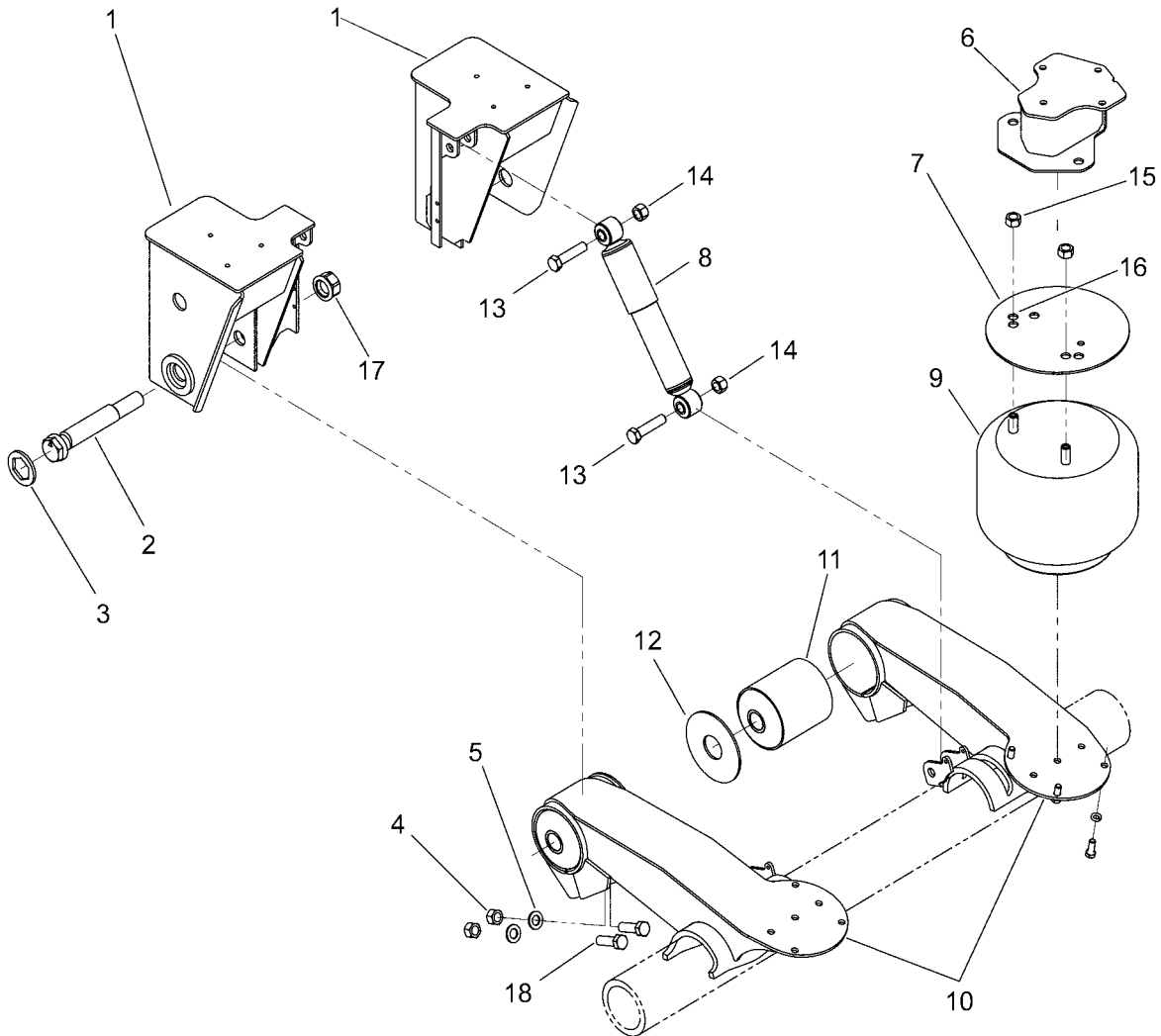
**** Model number 2404108 formally known as model 2407744D108 and 308

RIDEWELL SUSPENSION

MONOPIVOT RAR-240 SERIES

Overslung - 25,000 lb. Capacity

Manufactured after 10/1/1995



1

RIDEWELL SUSPENSION PARTS

MONOPIVOT RAR-240 SERIES

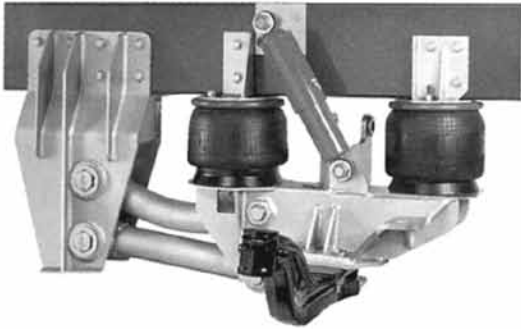
Overslung - Manufactured after 10/1/1995

KEY NO.	MERITOR NO.	REPLACES RIDEWELL NO.	DESCRIPTION	QTY PER AXLE			PAGE NO.
				MODEL 2400317	MODEL 2400715	MODEL 2400717	
1	S.O.S.	3267739C103	Hanger Assembly (LH)	1			—
	S.O.S.	3267739C203	Hanger Assembly (RH)	1			—
	S.O.S.	3267739C100	Hanger Assembly (LH)		1	1	—
	S.O.S.	3267739C200	Hanger Assembly (RH)		1	1	—
2	S.O.S.	1137694B000	Eccentric Bolt	2	2	2	—
3	S.O.S.	9003092B000	Anti-Turn Washer	2	2	2	—
4	S.O.S.	1150709B105	Nut - 3/4"	2	2	2	—
5	S.O.S.	1167140B100	Washer - 3/4"	2	2	2	—
7	S.O.S.	7000407	Air Spring Support Plate	2	2	2	—
8	S.O.S.	1270563B003	Shock Absorber	2	2	2	—
9	S.O.S.	1001R13109G	Air Spring	2	2	2	—
10	S.O.S.	4287739D102	Beam Assembly (LH)	1		1	—
	S.O.S.	4287739D202	Beam Assembly (RH)	1		1	—
	S.O.S.	4287739D100	Beam Assembly (LH)		1		—
	S.O.S.	4287739D200	Beam Assembly (RH)		1		—
11	S.O.S.	1117680B075	Pivot Bushing	2	2	2	—
12	S.O.S.	1167680B000	Wear Washer, Plastic	2	2	2	—
13	S.O.S.	1147698B105	Bolt - Shock Attaching Hardware	4	4	4	—
14	S.O.S.	1150709B105	Nut - 3/4"	4	4	4	—
15	S.O.S.	1145383B105	Bolt - Air Spring Attaching Hardware	6	6	6	—
16	S.O.S.	1160556B100	Washer - Air Spring Attaching Hardware	6	6	6	—
17	S.O.S.	1150033	Sucurelok Nut	2	2	2	—
18	S.O.S.	1140604B108	Bolt - 3/4"	4	4	4	—
Not Shown	R3014376	6040029	Bushing Replacement Kit	1	1	1	—

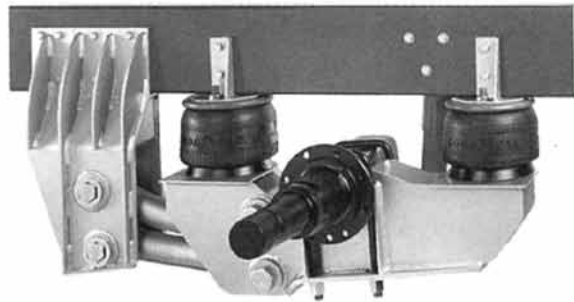
S.O.S. = Available through Meritor's S.O.S. Department

RIDEWELL SUSPENSION

RAS-227 for Steer Axle and RAD-227 for Drive Axle

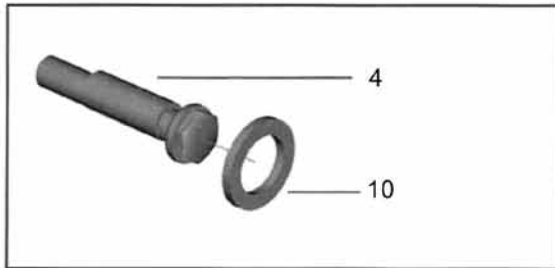


RAS-227 Parallelogram Designed Steer Axle Suspension; 7,000 - 15,000 lb. cap.

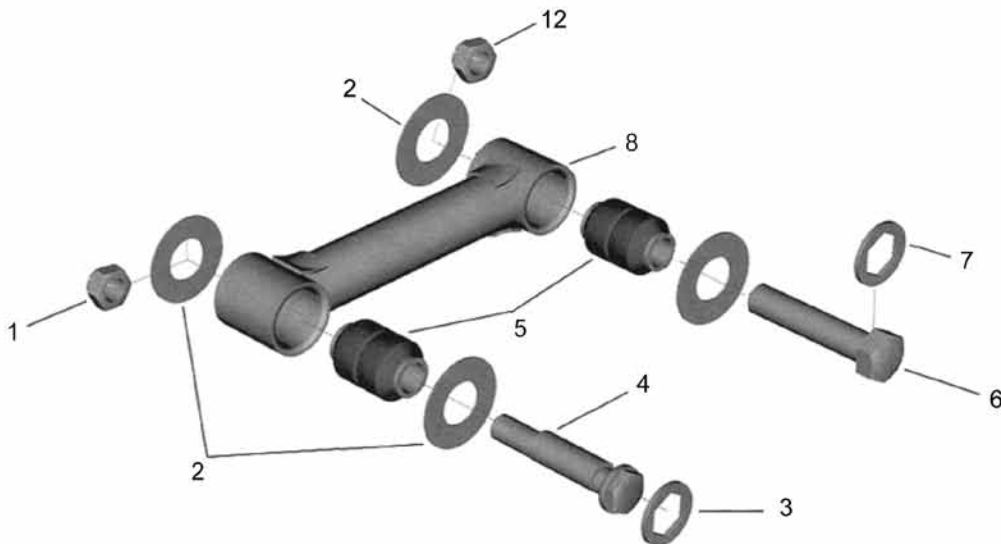


RAD-227 Parallelogram Designed Drive Axle Suspension; 10,000 - 25,000 lb. cap.

Common replacement parts are shown below. For air springs, hangers and torque beams, refer to your specific installation drawing.



NOTE: This new style eccentric bolt replaces previous style with square head



RIDEWELL SUSPENSION PARTS

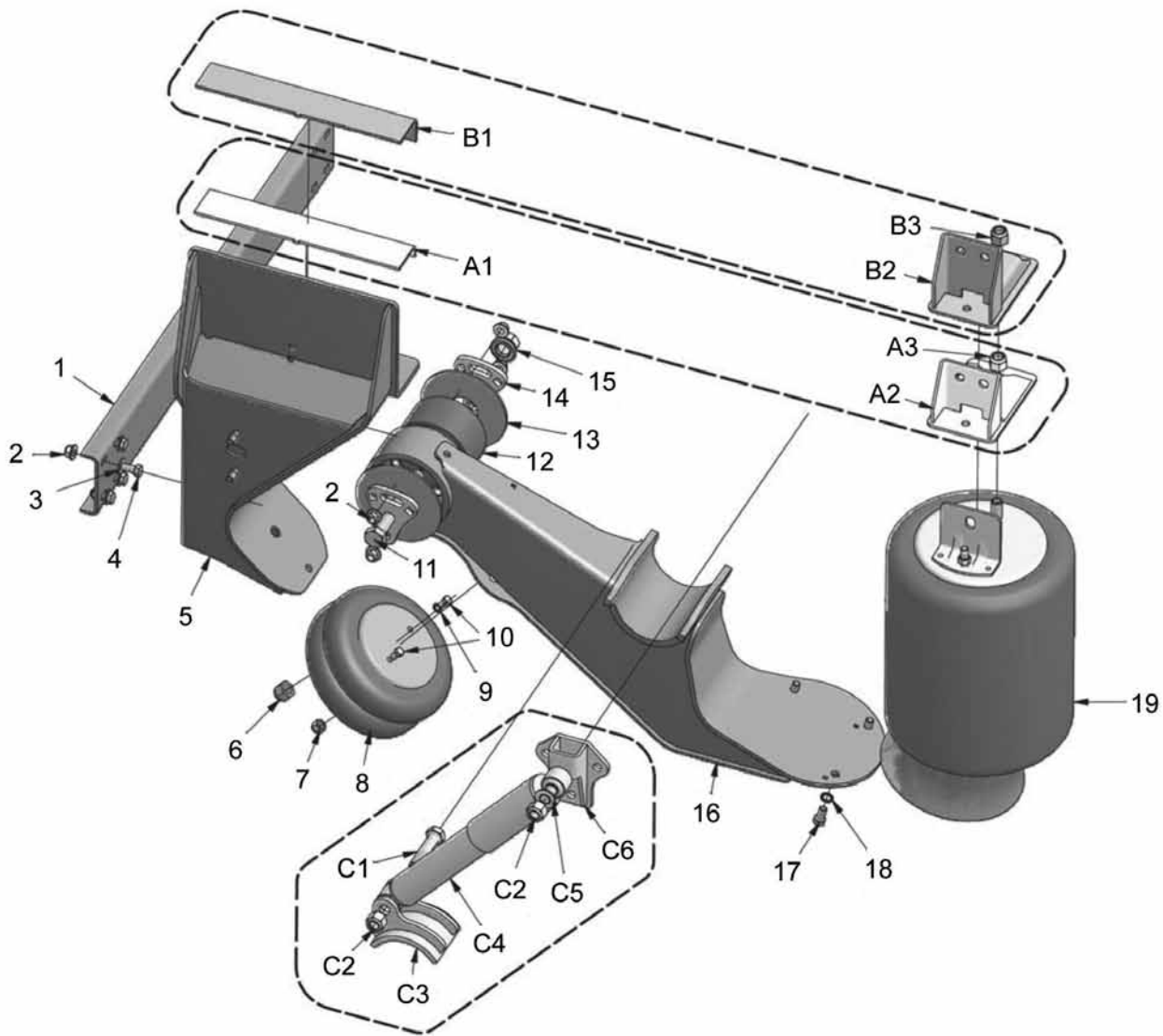
RAS-227 for Steer Axle and RAD-227 for Drive Axle

KEY NO.	MERITOR NO.	REPLACES RIDEWELL NO.	DESCRIPTION	QTY PER AXLE	PAGE NO.
1	S.O.S.	1150033	Lock Nut 1 1/4" 7NC GR8-waxed	4	—
2	S.O.S.	1160519B903	Bearing Washer Shim	8	—
3	R3014385	9003092B000	Anti-turn Washer	4	—
4	S.O.S.	1130003	Eccentric Bolt 7" Forged F/4-7-16 Bushing	4	—
5	R309439	1110512B000	Bonded Rubber Bushing, 70 Durometer	8	1-590
6	R309445	1130670B105	HHCS 1 1/2" - 6NC, 7" Long	4	1-591
7	S.O.S.	9004565B000	Locking Plate	4	—
8	S.O.S.	—	Torque Beam	—	—
—	R3014384	1152880B102	Lock Nut 1 1/4" 7NC Std.	As Required	—
10	S.O.S.	9090005	Receiver Ring 3.5" OD, 2.28" ID	4	—
12	S.O.S.	1151065B002	Nut 1 1/2"	4	—

S.O.S. = Available through Meritor's S.O.S. Department

RIDEWELL SUSPENSION

Model RCA-215 FLEX-MOUNT™ AUXILIARY AXLE SUSPENSION Truck



RIDEWELL SUSPENSION PARTS

Model RCA-215 FLEX-MOUNT™ AUXILIARY AXLE SUSPENSION

Truck/Tractor

KEY NO.	MERITOR NO.	REPLACES RIDEWELL NO.	DESCRIPTION	QTY PER AXLE	PAGE NO.
1	S.O.S.	8001809	Crossmember Channel	1	—
2	S.O.S.	1150012	Lock Nut 1/2" 13NC Flanged Grade 8	16	—
3	S.O.S.	1167053B100	Washer 1/2" A-325 Flat	8	—
4	S.O.S.	1145383B105	HHCS 1/2" 13NC 1-1/4"L, Grade 5, Zinc	8	—
5	S.O.S.	3360046	Hanger Assembly, LH	1	—
		3360047	Hanger Assembly, RH	1	—
6	S.O.S.	1150011	Lock Nut 3/4" - 16NF Nyl	2	—
7	S.O.S.	1150555B112	Lock Nut 1/2" 13NC Nyl	2	—
8	S.O.S.	1002B09604G	Lift Air Spring 2B9-604	2	—
9	S.O.S.	1160011	Lock Washer 3/8" Internal Tooth	2	—
10	S.O.S.	1147376B105	HHCS 3/8" 16NC 5/8"L, Grade 5, Zinc	4	—
11	S.O.S.	1140056	HHCS 7/8" 14NF 7"L, Grade 8, P&O	2	—
12	S.O.S.	1110083	Bushing, Fibertech, Narrow	2	—
13	S.O.S.	1167680B000	Washer 6.25x2.125x.188	4	—
14	S.O.S.	7001634	Adjustment Plate	4	—
15	S.O.S.	1150028	Lock Nut 7/8" 14NF, Grade 8, Securelok	2	—
16	S.O.S.	5970322	Bushing / Beam Assembly, LH	1	—
	S.O.S.	5970323	Bushing / Beam Assembly, RH	1	—
	S.O.S.	5970326	Bushing / Beam Assembly, LH	1	—
	S.O.S.	5970327	Bushing / Beam Assembly, RH	1	—
17	S.O.S.	1140554B105	HHCS 1/2" 13NC 1"L, Grade 5, Zinc	6	—
18	S.O.S.	1167482B000	Lock Washer 1/2" Internal Tooth	6	—
22	S.O.S.	1001R12444G	Air Spring 1R12-444	2	—

OPTIONAL KITS

SPACER KIT, 1"

KEY NO.	MERITOR NO.	REPLACES RIDEWELL NO.	DESCRIPTION	QTY PER AXLE	PAGE NO.
A1	S.O.S.	8001811	Spacer, Hanger, 1"	2	—
A2	S.O.S.	3450126	Air Spring Plate / Spacer, 1"	2	—
A3	S.O.S.	1150011	Lock Nut 3/4" 16NF Nyl	2	—

SPACER KIT, 1"

KEY NO.	MERITOR NO.	REPLACES RIDEWELL NO.	DESCRIPTION	QTY PER AXLE	PAGE NO.
B1	S.O.S.	8001812	Spacer, Hanger, 2"	2	—
B2	S.O.S.	3450127	Air Spring Plate / Spacer, 2"	2	—
B3	S.O.S.	1150011	Lock Nut 3/4" 16NF Nyl	2	—

SHOCK KIT

KEY NO.	MERITOR NO.	REPLACES RIDEWELL NO.	DESCRIPTION	QTY PER AXLE	PAGE NO.
C1	S.O.S.	1143077B105	HHCS 3/4" 10NC 3 1/2"LG	2	—
C2	S.O.S.	1151384B102	Lock Nut 3/4" 10NC Nyl-Wax	4	—
C3	S.O.S.	4670013	Bracket, Lower Shock, Axle Mount	2	—
C4	85014	1250789B000	Shock Assembly	2	3-14
C5	S.O.S.	1160576B100	Washer 3/4" SAE Flat, Zinc	2	—
C6	S.O.S.	3500026	Bracket, Upper Shock, Frame Mount	2	—


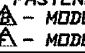
S.O.S. = Available through Meritor's S.O.S. Department

RIDEWELL SUSPENSION

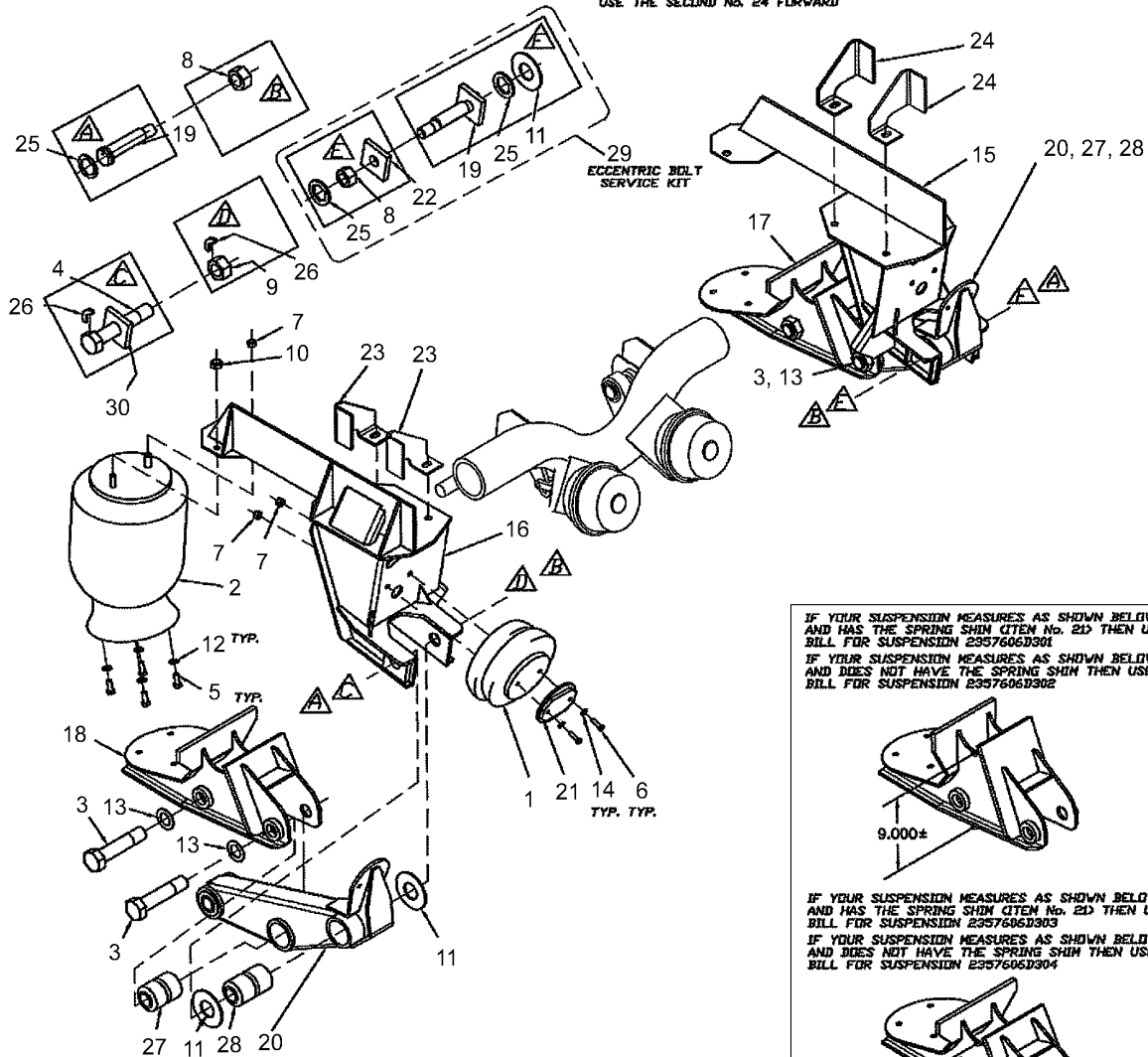
MODEL RCA-235 COMPACT HEAVY DUTY AIR-RIDE/AIR-LIFT SUSPENSION FOR AUXILIARY AXLES

Truck/Trailer - 22,000 lb. Capacity

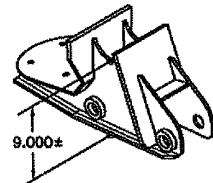
PARTS FOR MODELS MANUFACTURED BEFORE 06/30/2000

FASTENER NOTE
 - MODELS MFG AFTER 6-30-00
 - MODELS MFG BEFORE 6-30-00

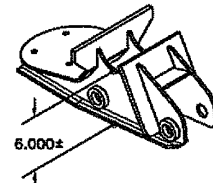
CROSSMEMBER RECOMMENDED, BUT
IF NOT SUITABLE FOR INSTALLATION
USE THE SECOND No. 24 FORWARD



IF YOUR SUSPENSION MEASURES AS SHOWN BELOW
AND HAS THE SPRING SHIM (ITEM No. 21) THEN USE
BILL FOR SUSPENSION 2357606D301
IF YOUR SUSPENSION MEASURES AS SHOWN BELOW
AND DOES NOT HAVE THE SPRING SHIM THEN USE
BILL FOR SUSPENSION 2357606D302



IF YOUR SUSPENSION MEASURES AS SHOWN BELOW
AND HAS THE SPRING SHIM (ITEM No. 21) THEN USE
BILL FOR SUSPENSION 2357606D303
IF YOUR SUSPENSION MEASURES AS SHOWN BELOW
AND DOES NOT HAVE THE SPRING SHIM THEN USE
BILL FOR SUSPENSION 2357606D304



RIDEWELL SUSPENSION PARTS

MODEL RCA-235 COMPACT HEAVY DUTY AIR-RIDE/AIR-LIFT SUSPENSION FOR AUXILIARY AXLES

Truck/Trailer - 22,000 lb. Capacity

Parts for Models Manufactured Before 06/30/2000

KEY NO.	MERITOR NO.	REPLACES RIDEWELL NO.	DESCRIPTION	QTY PER AXLE				PAGE NO.
				MODEL 2357606D301	MODEL 2357606D302	MODEL 2357606D303	MODEL 2357606D304	
1	S.O.S.	1003586905C	Air Spring (Lift)	2	2	2	2	—
2	S.O.S.	1003589245C	Air Spring (Load)	2		2		—
		1003589320C			2		2	—
3	R309445	1130670B105	HHCS 1-1/2" 6NC 7" Lg	4	4	4	4	1-591
4	S.O.S.	1135873B105	HHCS 1-1/2" 6NC 8-1/2" Lg	1	1	1	1	—
5	S.O.S.	1140554B105	HHCS 1/2" 13NC 1" Lg	8	8	8	8	—
6	S.O.S.	1141191B105	HHCS 3/8" 16 NC Air Spring Mounting Bolt	4		4		—
		1140674B105			4		4	—
7	S.O.S.	1150555B112	Lock Nut 1/2" 13NC Nylon Insert	6	6	6	6	—
8	S.O.S.	1152880B102	Nut 1-1/4" 7 NC	1	1	1	1	—
9	S.O.S.	1154410B102	HHCS 1-1/2" 6NC Standard	1	1	1	1	—
10	S.O.S.	1154700B102	Lock Nut 3/4" 16 NF Hex Jam Nut, Thin	2	2	2	2	—
11	S.O.S.	1160519B903	Washer 6.25 x 2, 125 x 135 UHMW	4	4	4	4	—
12	S.O.S.	1160556B100	Lock Washer 1/2" S/T Med	8	8	8	8	—
13	S.O.S.	1160673B000	Lock Washer 1-1/2" Int. Tooth	4	4	4	4	—
14	S.O.S.	1160675B100	Lock Washer 3/8" S/T Med	4	4	4	4	—
15	S.O.S.	3167606C100	Hanger Assembly LH	1	1	1	1	—
16	S.O.S.	3167606C200	Hanger Assembly RH	1	1	1	1	—
17	S.O.S.	4050004	Load Beam Assembly RH	1	1			—
	S.O.S.	4050006				1	1	—
18	S.O.S.	4050003	Load Beam Assembly LH	1	1			—
	S.O.S.	4050005				1	1	—
19	S.O.S.	5007177B000	Eccentric Bolt Assembly 8.25"	1	1	1	1	—
20	S.O.S.	5097606B000	T'Beam Assy.-Lift 21.5" Lg	2	2	2	2	—
21	S.O.S.	5487606B000	Lift Spring Shim Assembly	2		2		—
22	S.O.S.	7401494B000	Clamp Plt, 3.5" Sq. 1-1/4" D	1	1	1	1	—
23	S.O.S.	8257606B102	Angle Clip - HGR Reinforced LH	2	2	2	2	—
24	S.O.S.	8257606B202	Angle Clip - HGR Reinforced RH	2	2	2	2	—
25	S.O.S.	9003092B000	Anti-Turn Washer	2	2	2	2	—
26	S.O.S.	9004565B000	Locking Plate	2	2	2	2	—
27	R309439	1110512B000	Bushing 4-7/16" x 1-1/2" 70 Durometer	4	4	4	4	1-590
28	S.O.S.	1116176B000	Bushing 5-1/4 LG 70-75 Durometer	2	2	2	2	—
29	S.O.S.	5027177B235	Eccentric Bolt Service Kit 8-1/4" Truck*	1	1	1	1	—
30	S.O.S.	7407511B00	Clamp Plt Offset 1-1/2" D	1	1	1	1	—

* Kit includes two (2) of item # 11



Special Note: When replacing a hanger on model made before June 2000, treat it like models made after June 2000.

S.O.S. = Available through Meritor's S.O.S. Department

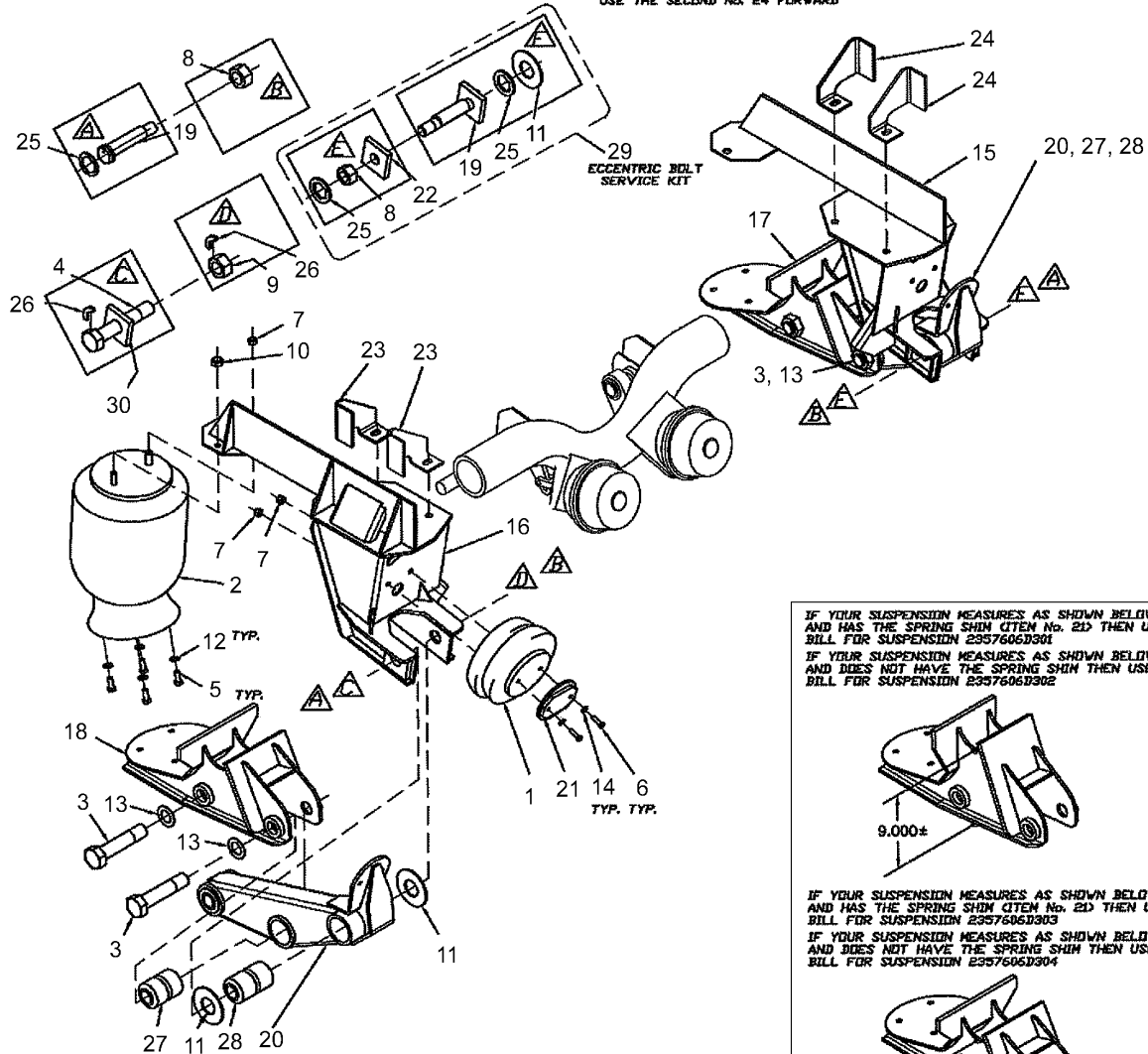
RIDEWELL SUSPENSION

MODEL RCA-235 COMPACT HEAVY DUTY AIR-RIDE/AIR-LIFT SUSPENSION FOR AUXILIARY AXLES Truck/Trailer - 22,000 lb. Capacity

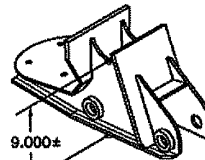
PARTS FOR MODELS MANUFACTURED AFTER 06/30/2000

FASTENER NOTE
 - MODELS MFG AFTER 6-30-00
 - MODELS MFG BEFORE 6-30-00

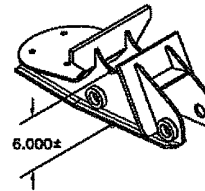
CROSSMEMBER RECOMMENDED, BUT
IF NOT SUITABLE FOR INSTALLATION
USE THE SECOND No. 24 FORWARD



IF YOUR SUSPENSION MEASURES AS SHOWN BELOW
AND HAS THE SPRING SHIM (ITEM No. 21) THEN USE
BILL FOR SUSPENSION 23576060301
IF YOUR SUSPENSION MEASURES AS SHOWN BELOW
AND DOES NOT HAVE THE SPRING SHIM THEN USE
BILL FOR SUSPENSION 23576060302



IF YOUR SUSPENSION MEASURES AS SHOWN BELOW
AND HAS THE SPRING SHIM (ITEM No. 21) THEN USE
BILL FOR SUSPENSION 23576060303
IF YOUR SUSPENSION MEASURES AS SHOWN BELOW
AND DOES NOT HAVE THE SPRING SHIM THEN USE
BILL FOR SUSPENSION 23576060304



RIDEWELL SUSPENSION PARTS

MODEL RCA-235 COMPACT HEAVY DUTY AIR-RIDE/AIR-LIFT SUSPENSION FOR AUXILIARY AXLES

Truck/Trailer - 22,000 lb. Capacity

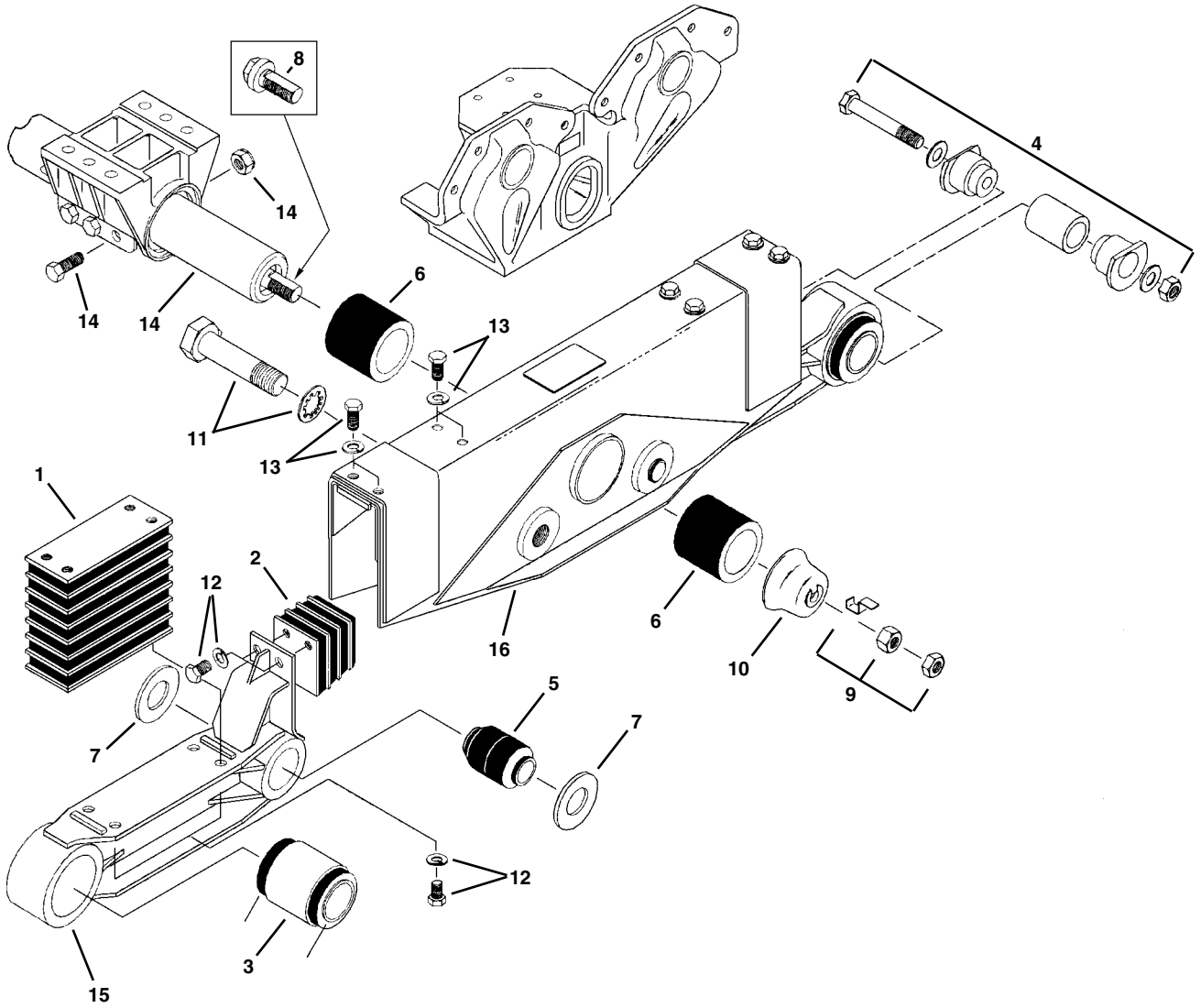
Parts for Models Manufactured After 06/30/2000

KEY NO.	MERITOR NO.	REPLACES RIDEWELL NO.	DESCRIPTION	QTY PER AXLE				PAGE NO.
				MODEL 2350007	MODEL 2350008	MODEL 2350009	MODEL 2350010	
1	S.O.S.	1003586905C	Air Spring (Lift)	2	2	2	2	—
2	S.O.S.	1003589245C	Air Spring (Load)	2		2		—
		1003589320C			2		2	—
3	R309445	1130670B105	HHCS 1-1/2" 6NC 7" Lg	4	4	4	4	1-591
5	S.O.S.	1140554B105	HHCS 1/2" 13NC 1" Lg	8	8	8	8	—
6	S.O.S.	1141191B105	HHCS 3/8" 16 NC Air Spring Mounting Bolt	4		4		—
		1140674B105			4		4	—
7	S.O.S.	1150555B112	Lock Nut 1/2" 13NC Nylon Insert	6	6	6	6	—
8	S.O.S.	1155648B108	Nut 1-1/4" 7 NC	2	2	2	2	—
10	S.O.S.	1154700B102	Lock Nut 3/4" 16 NF Hex Jam Nut Thin	2	2	2	2	—
11	S.O.S.	1160519B903	Washer 6.25 x 2.125 x 135 UHMW	4	4	4	4	—
12	S.O.S.	1160556B100	Lock Washer 1/2" S/T Med	8	8	8	8	—
13	S.O.S.	1160673B000	Lock Washer 1-1/2" Int. Tooth	4	4	4	4	—
14	S.O.S.	1160675B100	Lock Washer 3/8" S/T Med	4	4	4	4	—
15	S.O.S.	3160003	Hanger Assembly LH	1	1	1	1	—
16	S.O.S.	3160004	Hanger Assembly RH	1	1	1	1	—
17	S.O.S.	4050004	Load Beam Assembly RH	1	1			—
		4050006				1	1	—
18	S.O.S.	4050003	Load Beam Assembly LH	1	1			—
		4050005				1	1	—
19	S.O.S.	1130009	Eccentric Bolt	2	2	2	2	—
20	S.O.S.	5097606B000	T'Beam Assy.-Lift 21.5" Lg	2	2	2	2	—
21	S.O.S.	5487606B000	Lift Spring Shim Assembly	2		2		—
23	S.O.S.	8257606B102	Angle Clip - Hanger Reinforced LH	2	2	2	2	—
24	S.O.S.	8257606B202	Angle Clip - Hanger Reinforced RH	2	2	2	2	—
25	S.O.S.	9003092B000	Anti-Turn Washer	2	2	2	2	—
27	R309439	1110512B000	Bushing 4-7/16" x 1-1/2" 70 Durometer	4	4	4	4	1-590
28	S.O.S.	1116176B000	Bushing 5-1/4" LG 70-75 Durometer	2	2	2	2	—

S.O.S. = Available through Meritor's S.O.S. Department

RIDEWELL "DYNALASTIC" SUSPENSION

Model RD-202C-54-44L-OL
Truck/Tractor



RIDEWELL "DYNALASTIC" SUSPENSION PARTS

Model RD-202C-54-44L-OL-KS and RD-202B-54-48-K Trunion Mount Style Truck/Tractor

KEY NO.	MERITOR NO.	REPLACES RIDEWELL NO.	DESCRIPTION	QUANTITY PER TANDEM	PAGE NO.
1	R309437	9030595D000	Elastomer Spring, "C" Models; 4 1/16" wide x 10 1/8" Long	4	1-590
	R3010677	1037326D003	Elastomer Spring, "B" Models; 4 1/2" wide x 8 1/2" Long	4	1-590
2	R309438	1037261C001 (New)	Overload Spring	4	1-590
		9031221B302 (Old)			
3	R301341A	1117564B000 (New)	Beam End Bushing	4	1-590
		1116755B000 (Old)			
4	R302374	1307564B000 (New)	Beam End Adapter Assembly	4	1-590
		1302975B000 (Old)			
5	R309439	1110512B000	Pivot Bushing, 70 Durometer	4	1-590
6	R309440	1100608B000	Trunion Bushing	4	1-590
7	R309441A	1160519B901 (New)	Bearing Sleeve Washer	8	1-591
		1160519B301 (Old)			
8	R309442	5802876B302	Compression Bolt Assembly, Included with Trunion Shaft, Includes Key No. 9	2	1-591
9	R309443	1150818B102 (Nut)	Lock Nut Assembly	2	1-591
		1150609B102 (Nut)			
		8990777B000 (Lock)			
10	R309444	1527487B000 (New)	Compression Cap	2	1-591
		1520599B000 (Old)			
11	R309445	1130670B105 (Bolt)	Pivot Bolt and Lock Assembly	4	1-591
		1160673B000 (Lock)			
12	R309446	1140665B105 (Screw)	Spring Attaching Bolt and Lock Washer Assembly, 5/8"-18 Thd. x 1" Long	24	1-590
		1160598B100 (Lock)			
13	R309447	1142735B105 (Screw)	Spring Attaching Bolt and Lock Washer Assembly, 5/8"-18 Thd. x 1 1/4" Long	16	1-590
		1160598B100 (Lock)			
14	S.O.S.	5263280C301	Trunion Shaft Assembly	1	—
15	S.O.S.	5275225C 100L	Torque Beam, Left Hand	2	—
	S.O.S.	5275225C 200L	Torque Beam, Right Hand	2	—
16	S.O.S.	5254785C000	Compensator	2	—

S.O.S. = Available through Meritor's S.O.S. Department

S.O.S.

Need a Suspension Part you can't locate in this Catalog?
Call Meritor's Special Order Service Department and we will source it for you!

RIDEWELL SUSPENSION PARTS

ELASTOMER SPRING



MERITOR NO.	REPLACES RIDEWELL	WIDE	HIGH	LENGTH
R309437	9030595D000	4 1/16"	7 1/2"	10 1/8"
R3010677	1037326D003	4 1/2"	7 1/2"	8 1/2"

BUSHING



70 Durometer

MERITOR NO.	REPLACES RIDEWELL	O.D.	I.D.	LENGTH
R309439	1110512B000	3 3/16"	1 1/2"	4 7/16"

BEAM END BUSHING



MERITOR NO.	REPLACES RIDEWELL	O.D.	I.D.	LENGTH
R301341A	1116755B000 (Old) 1117564B000 (New)	4 3/8"	2 1/2"	5 3/4"

SPRING ATTACHING BOLT AND LOCK WASHER



MERITOR NO.	REPLACES RIDEWELL	DIMENSIONS
R309446	1140665B105 (Screw) 1160598B100 (Lock)	5/8"-18 Thd. x 1" Long
R309447	1142735B105 (Screw) 1160598B100 (Lock)	5/8"-18 Thd. x 1 1/4" Long

OVERLOAD SPRING



MERITOR NO.	REPLACES RIDEWELL	FOR MODEL	WIDE	HIGH	LENGTH
R309438	1037261C001 9031221B302	RD-202C-54-44L-OL	4"	3 3/4"	4 1/2"

BUSHING



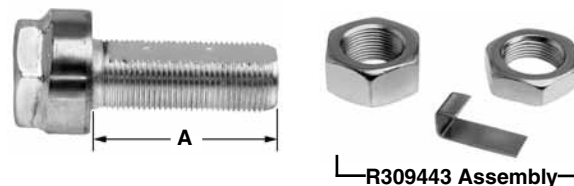
MERITOR NO.	REPLACES RIDEWELL	O.D.	I.D.	LENGTH
R309440	1100608B000	4 1/2"	3 7/16"	4"

BEAM END ADAPTER ASSEMBLY



MERITOR NO.	REPLACES RIDEWELL	APPLICATION
R302374	1307564B000 (New) 1302975B000 (Old)	For Model RD-202C-54-44L-OL

COMPRESSION BOLT ASSEMBLY

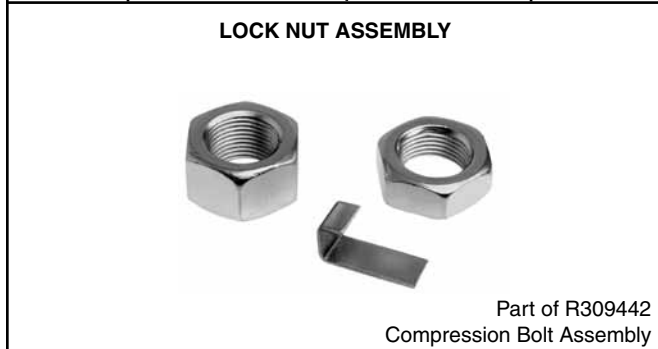


MERITOR NO.	REPLACES RIDEWELL	THREAD	A
R309442	5802876B302	1 1/8"-12	3 3/4"

RIDEWELL SUSPENSION PARTS



MERITOR NO.	REPLACES RIDEWELL	THREAD	BOLT LENGTH
R309445	1130670B105 (Bolt) 1160673B000 (Lock)	1 1/2"-6	7"



MERITOR NO.	REPLACES RIDEWELL	THREAD
R309443	1150818B102 (Nut) 1150609B102 (Nut) 8990777B000 (Lock)	1 1/8"-12

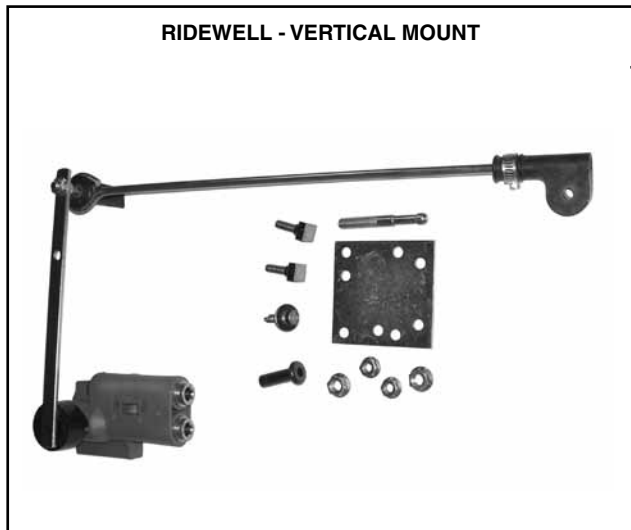


MERITOR NO.	REPLACES RIDEWELL	O.D.	I.D.	HIGH
R309444	1527487B000 (New) 1520599B000 (Old)	5 1/2"	3 1/2"	3"



MERITOR NO.	REPLACES RIDEWELL	O.D.	I.D.	THICKNESS
R309441A	1160519B901 (New) 1160519B301 (Old)	4 1/2"	2 1/8"	1/8"

RIDEWELL HEIGHT CONTROL VALVES



MERITOR NO.	REPLACES RIDEWELL	APPLICATION
R3012525	Ridewell 124723B205 6240605 (New) Ridewell 124723B204 6240604 (New)	Use for applications requiring vertical mounting only.

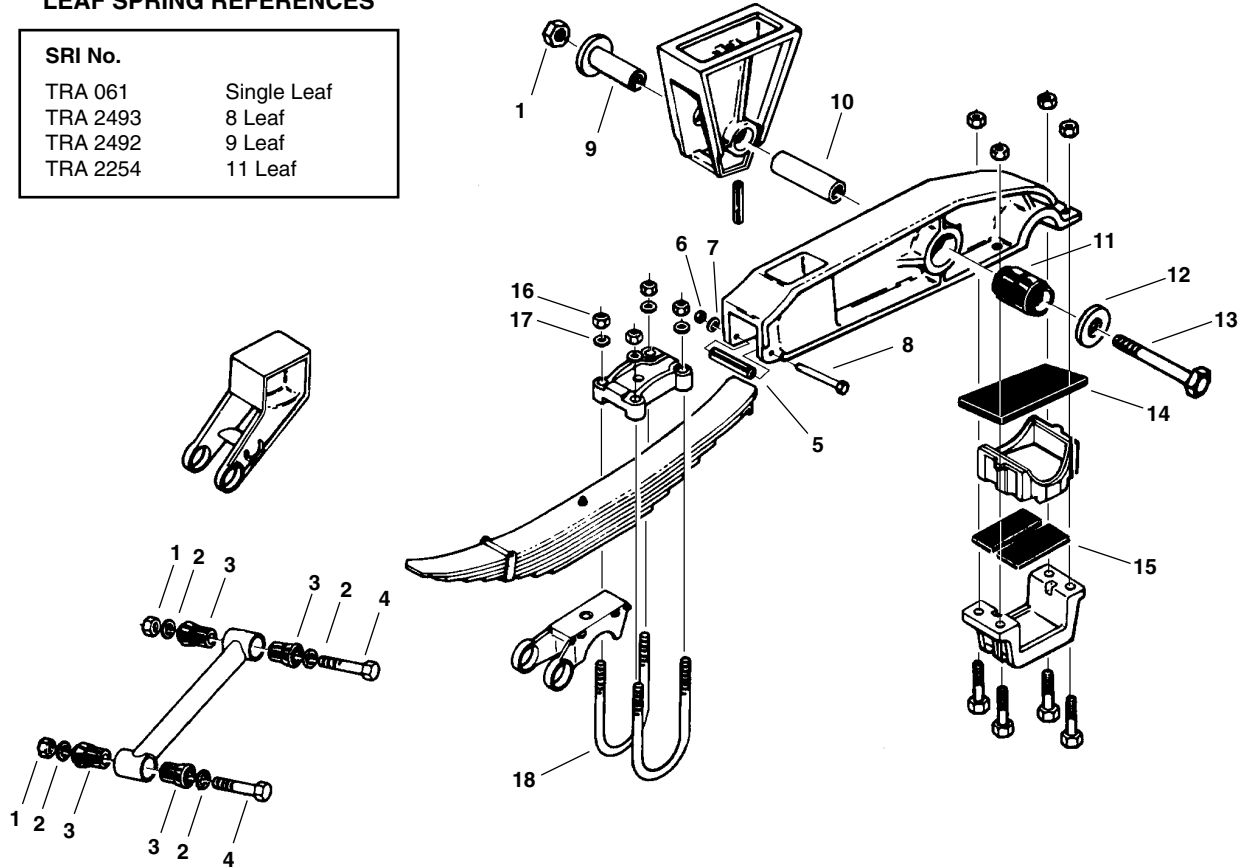
SPICER (DANA) SUSPENSION

36 Series - Tandem Assembly Trailer

LEAF SPRING REFERENCES

SRI No.

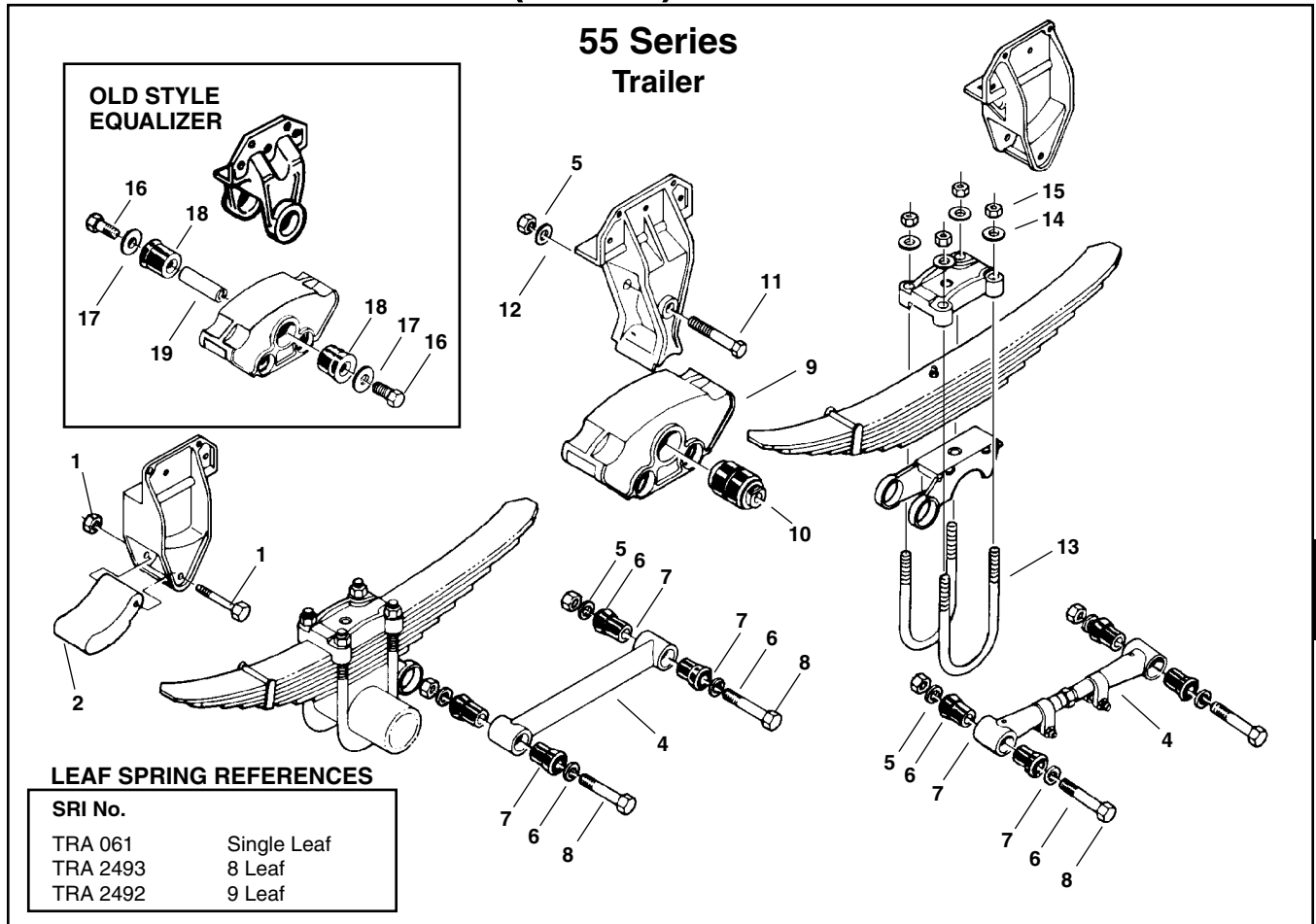
TRA 061	Single Leaf
TRA 2493	8 Leaf
TRA 2492	9 Leaf
TRA 2254	11 Leaf



KEY NO.	MERITOR NO.	REPLACES SPICER/DANA NO.	DESCRIPTION	QUANTITY PER TANDEM	PAGE NO.
1	R304421	H76008	Nut	10	2-34
2	R30907	H231	Washer	16	2-35
3	R301982	L1132	Torque Arm Bushing	16	1-598
4	R30900	H80063	Bolt	8	2-32
—	R301983	L4032	Torque Arm Bushing Assembly, Includes Key Nos. 1, 2, 3, 4.	8	1-598
5	R301971	—	Roller	2	1-599
6	R005032	—	Nut	2	2-34
7	R301974	—	Lock Washer	2	1-599
8	R301972	—	Bolt	2	2-32
—	R301975	—	Spring Roller Assembly, Includes Key Nos. 5, 6, 7, 8.	2	1-599
9	N/A	—	Retainer	2	—
10	R303051	K1127	Equalizer Shaft	2	—
11	R303016	L1336	Equalizer Bushing	2	1-597
12	N/A	—	Washer	2	—
13	N/A	—	Bolt	2	—
14	R302011	L1338	Rubber Axle Pad	2	1-599
15	R301331	L1337	Rubber Axle Pad	4	1-599
16	R303002A	H75814	Hi-Nut	8	2-34
17	R302546	H229	Washer	8	2-35
18	R30U5165-14	—	U-Bolt Assembly, Rd. Bend, 7/8"-14 Thd. x 5" Wide x 14" Long	4	2-27

N/A = Spicer no longer manufactures. Parts not available thru S.O.S.

SPICER (DANA) SUSPENSION



KEY NO.	MERITOR NO.	REPLACES SPICER/DANA NO.	DESCRIPTION	QUANTITY PER TANDEM	PAGE NO.
1	R304347	H75710	Nut	2	2-34
2	N/A	H87550	Bolt	2	—
3	R303031	L3049	Rubber Spring Retainer	2	1-599
4	Use R302294	M209475	Rigid Torque Arm, 17 1/2"	2	1-598
	R302294	M10901	Adjustable Torque Arm, 14" - 18 1/2" Center-to-Center		1-598
	R302295	M10902	Adjustable Torque Arm, 18 1/2" - 21 3/8" Center-to-Center		1-598
5	R304421	H76008	Nut	10	2-34
6	R30907	H231	Washer	8	2-35
7	R301982	L1132	Torque Arm Bushing	16	1-598
8	R30900	H80063	Bolt	8	2-32
—	R301983	L4032	Torque Arm Bushing Assembly Includes Key Nos. 5, 6, 7, 8.	8	1-598
9	R303012	B55536	Equalizer	2	1-596
10	R302273	L1425	Equalizer Bushing	2	1-596
11	R302274	H80080	Bolt	2	1-597
12	R302275	H230	Washer	2	2-35
—	R302272	L4025	Equalizer Bushing Assembly Includes Key Nos. 10, 11, 12.	2	1-596
13	R30U5165-14	—	U-Bolt Assembly, Rd. Bend, 7/8"-14 Thd. x 5" Wide x 14" Long	8	2-27
14	R302546	H229	Washer	16	2-35
15	R303002A	H75814	Hi-Nut	16	2-34
16	R301987	H80025	Bolt	2	2-32
17	R301986A	H241	Washer	4	2-35
18	R301984	L1325	Bushing	4	1-596
19	N/A	K1410	Equalizer Shaft	2	—
—	N/A	L4325	Equalizer Bushing Assembly Includes Key Nos. 16, 17, 18, 19.	2	—

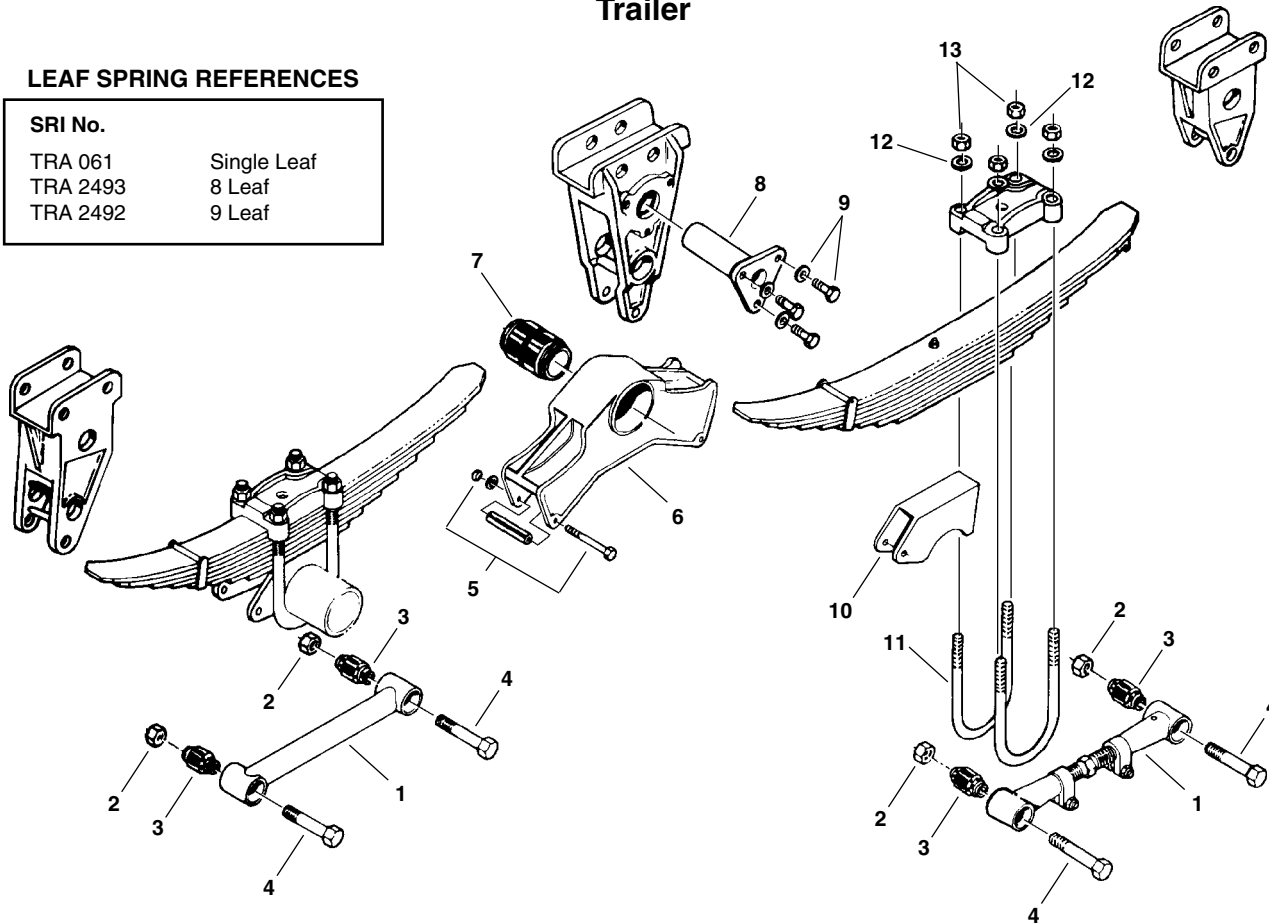
N/A = Spicer no longer manufactures. Parts not available thru S.O.S.

SPICER (DANA) SUSPENSION

62 Series Trailer

LEAF SPRING REFERENCES

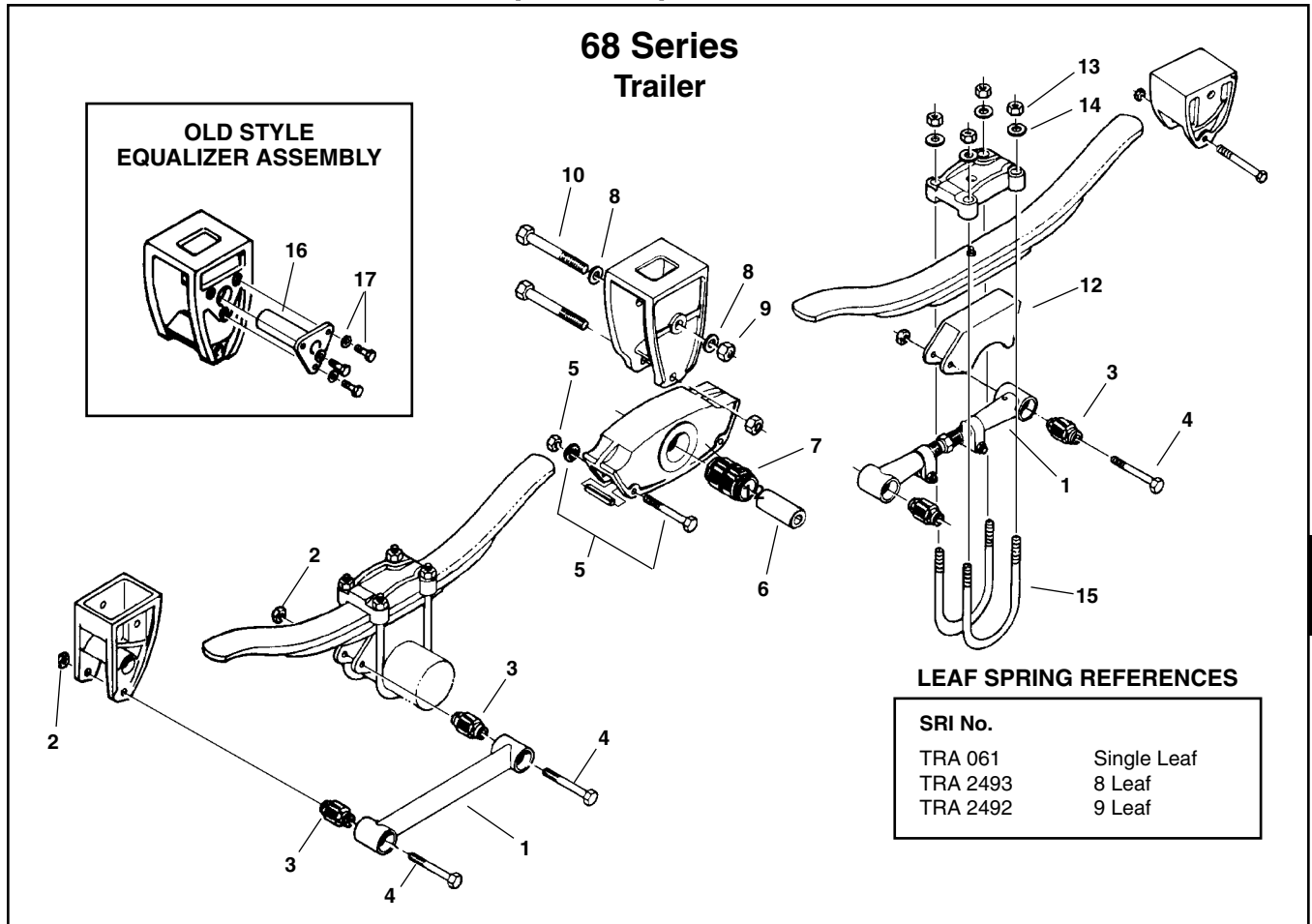
SRI No.	
TRA 061	Single Leaf
TRA 2493	8 Leaf
TRA 2492	9 Leaf



KEY NO.	MERITOR NO.	REPLACES SPICER/DANA NO.	DESCRIPTION	QUANTITY PER TANDEM	PAGE NO.
1	R302292	M109201	Adjustable Torque Arm, 14" - 18 1/2" Center-to-Center	2	1-598
	R302293	M109202	Adjustable Torque Arm, 18 1/2" - 21 3/8" Center-to-Center		1-598
2	R302983	H75809	Nut	8	2-34
3	R301980 (Rubber)	L1032	Torque Arm Bushing	8	1-598
	R307520 (Poly)				2-14
4	R30901	H88755	Bolt	8	2-32
—	R301981 (Rubber)	L4032	Torque Arm Bushing Assembly Includes Key Nos. 2, 3, 4.	8	1-598
	R309552 (Poly)				1-558
5	R301975	—	Spring Roller Assembly	4	1-599
6	N/A	B56634	Equalizer with Bushing	2	—
7	R301072	L1025	Equalizer Bushing	2	1-597
8	R301993	K1124	Equalizer Shaft	2	1-597
9	Part of R301995	—	Lock Screw and Washer	6	1-597
—	R301995	L4026	Equalizer Bushing Assembly Includes Key Nos. 7, 8, 9.	2	1-597
10	N/A	E550275	Axle Seat	2	—
11	R30U5165-14	—	U-Bolt Assembly, Rd. Bend, 7/8"-14 Thd. x 5" Wide x 14" Long	4	2-27
12	R302546	H229	Washer	16	2-35
13	R303002A	H75814	Hi-Nut	16	2-34

N/A = Spicer no longer manufactures. Parts not available thru S.O.S.

SPICER (DANA) SUSPENSION



KEY NO.	MERITOR NO.	REPLACES SPICER/DANA NO.	DESCRIPTION	QUANTITY PER TANDEM	PAGE NO.
1	R302292	M109201	Adjustable Torque Arm, 14" - 18 1/2" Center-to-Center	2	1-598
	R302293	M109202	Adjustable Torque Arm, 18 1/2" - 21 3/8" Center-to-Center		1-598
2	R302983	H75809	Nut	10	2-34
3	R301980 (Rubber)	L1032	Torque Arm Bushing	16	1-598
4	R30901	H88755	Bolt	8	2-32
—	R301981	L4032	Torque Arm Bushing Assembly Includes Key Nos. 2, 3, 4.	8	1-598
5	R301975	—	Spring Roller Assembly	2	1-599
6	Part of R301998A	K1424	Equalizer Shaft	2	—
7	R301072	L1025	Equalizer Bushing	2	1-597
8	R301986A	H241	Washer	2	2-35
9	R304421	H76008	Nut	2	2-34
10	R301997	H80070	Bolt	2	1-597
—	R301998A	L4425	Equalizer Bushing Assembly Includes Key Nos. 6, 7, 8, 9, 10.	2	1-596
12	N/A	E550275	Axle Seat	2	—
13	R303002A	H75814	Hi-Nut	8	2-34
14	R302546	H229	Washer	8	2-35
15	R30U5165-14	—	U-Bolt Assembly, Rd. Bend, 7/8"-14 Thd. x 5" Wide x 14" Long	4	2-27
16	R301993	K1124	Equalizer Shaft	2	1-597
17	Part of R301995	L4026	Lock Screw and Washer	2	1-597
—	R301995	—	Equalizer Bushing Assembly, Old Style, Includes Key Nos. 16, 17.	2	1-597

N/A = Spicer no longer manufactures. Parts not available thru S.O.S.

SPICER EQUALIZERS AND BUSHING ASSEMBLIES

EQUALIZER



Includes R302273 Bushing

MERITOR NO.	REPLACES	FOR MODEL
R303012	Spicer B55536	Late Model 55

EQUALIZER BUSHING ASSEMBLY



MERITOR NO.	REPLACES	FOR MODEL	QTY	MERITOR NO.	DESCRIPTION
R302272	Spicer L4025	Late Model 55	1	R302273	Bushing
			1	R302274	Shaft
			2	R302275	Washer
			1	R304421	Nut

DISCONTINUED

EQUALIZER BUSHING ASSEMBLY



MERITOR NO.	REPLACES	FOR MODEL	INCLUDES
—	Spicer L4325	Early Model 55	2 Bushing 1 Shaft 2 Washer 2 Bolt

EQUALIZER BUSHING ASSEMBLY



MERITOR NO.	REPLACES	FOR MODEL	QTY	MERITOR NO.	DESCRIPTION
R301998A	Spicer L4425	Late Model 68	1	R301072	Bushing
			1	R301997	Bolt
			1	R301996	Shaft
			2	R301986A	Washer
			1	R304421	Nut

EQUALIZER BUSHING



MERITOR NO.	REPLACES	FOR MODEL	DIMENSIONS
R301984	Spicer L1325	Early Model 55	1 3/4" I.D. x 3 5/8" Lg. O.D. x 4 1/16" O.A.L.

EQUALIZER BUSHING



MERITOR NO.	REPLACES	FOR MODEL	DIMENSIONS
R302273	Spicer L1425	Late Model 55	1 1/64" I.D. x 3 1/8" Lg. O.D. x 5" O.A.L.

SPICER EQUALIZER BUSHINGS & HARDWARE



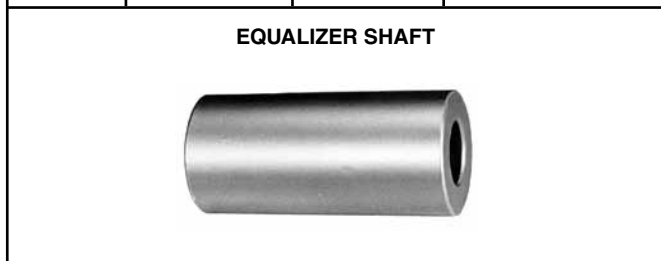
MERITOR NO.	REPLACES	FOR MODEL	QTY	MERITOR NO.	DESCRIPTION
R301995	Spicer L4026	62 & Early Model 68	1 1 3	R301072 R301993 N.S.S.	Bushing Shaft Lock Screws and Washer



MERITOR NO.	REPLACES	FOR MODEL	DIMENSIONS
R301989	Spicer L1125	26 & 36 Tri-Axle	2 1/2" I.D. x 4" Lg. O.D. x 3 1/2" Sm. O.D. x 2 3/4" O.A.L.



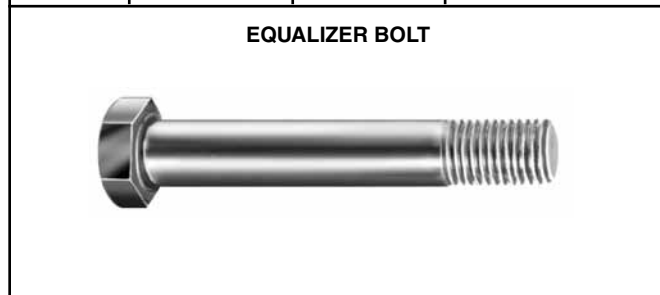
MERITOR NO.	REPLACES	FOR MODEL	DIMENSIONS
R303016	Spicer L1336	36 Tri-Axle & Tandem Axle	3 1/2" I.D. x 5 3/16" Lg. O.D. x 5" O.A.L.



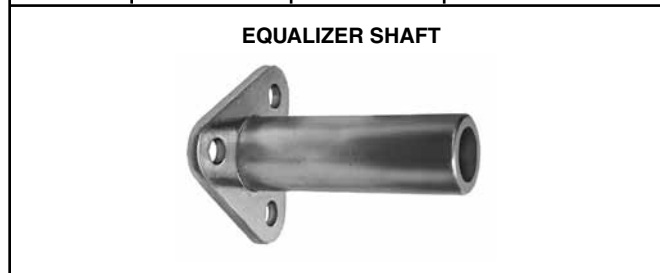
MERITOR NO.	REPLACES	FOR MODEL	DIMENSIONS
R301996	Spicer K1424	Late Model 68	1" I.D. x 2" O.D. x 4 11/32" O.A.L.



MERITOR NO.	REPLACES	FOR MODEL	DIMENSIONS
R301072	Spicer L1025	62 & Early & Late Model 68	2" I.D. x 3 1/8" O.D. x 4 7/32" O.A.L.



MERITOR NO.	REPLACES	FOR MODEL	DIMENSIONS
R302274	Spicer H80080	Late Model 55	1"-8 Thd. x 8" Long
R301997	Spicer H80070	Late Model 68	1"-8 Thd. x 7" Long



MERITOR NO.	REPLACES	FOR MODEL	DIMENSIONS
R301993	Spicer K1124	62 & Early Model 68	2" O.D. x 6 1/2" O.A.L.

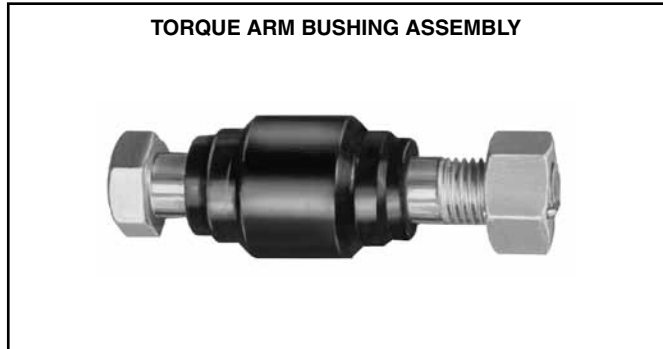
SPICER TORQUE ARM BUSHING ASSEMBLIES & HARDWARE



MERITOR NO.	REPLACES	FOR MODEL	QTY	MERITOR NO.	DESCRIPTION
R301983	Spicer L4132	26, 36, 55	2	R301982	Bushing
			1	R30900	Bolt
			1	R304421	Nut
			2	R30907	Washer



MERITOR NO.	REPLACES	FOR MODEL	DIMENSIONS
R301982	Spicer L1132	26, 36, 55	1" I.D. x 1 13/16" Sm. O.D. x 2 3/8" Lg. O.D. x 2 11/16" O.A.L.



MERITOR NO.	REPLACES	FOR MODEL	QTY	MERITOR NO.	DESCRIPTION
R301981	Spicer L4032	62 & 68	1	R301980	Bushing
			1	R30901	Bolt
			1	R302983	Nut



MERITOR NO.	REPLACES	FOR MODEL	DIMENSIONS
R301980	Spicer L1032	62 & 68	7/8" I.D. x 1 29/32" O.D. x 3" O.A.L.

SPICER TORQUE ARMS

TYPE 1
Use with One-Piece, Press-In Bushing

TYPE 2
Use with Two-Piece Bushings

NOTE: Rigid Torque Arms are no longer available. Use Adjustable Torque Arms.

MERITOR NO. WITH BUSHINGS	MERITOR NO. WITHOUT BUSHINGS	REPLACES SPICER NO.	FOR MODEL	MERITOR BUSHING NO.	MERITOR BUSHING ASSEMBLY	LENGTH Center-to-Center	TYPE
R302512	R302292	M109201	62, 68	R301980	R301981	14 3/4" to 18"	1
R302513	R302293	M109202	62, 68	R301980	R301981	18 1/2" to 21 3/8"	1
—	R302294	M109101	26, 55	R301982	R301983	14" to 18 1/2"	2
—	R302295	M109102	26, 36, 55	R301982	R301983	18 1/2" to 21 3/8"	2

SPICER U-BOLT ASSEMBLIES & SPRING HARDWARE

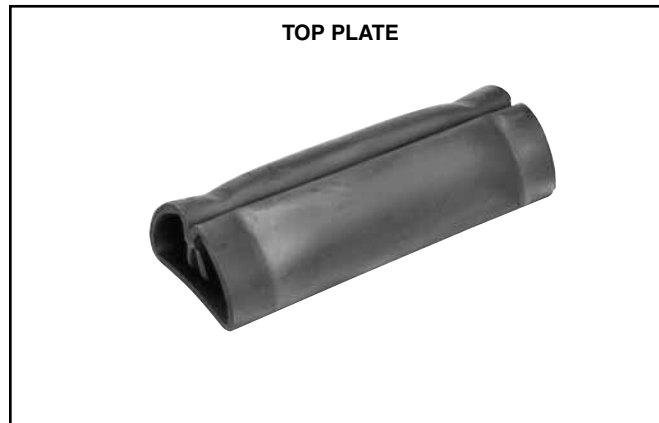


MERITOR NO.	REPLACES	FOR MODEL	QTY	MERITOR NO.	DESCRIPTION
R301975	—	Spicer 26, 36, 55	1	R301971	Roller
			1	R301972	Bolt
			1	R005032	Nut
			1	R301974	Lock Washer



MERITOR NO.	REPLACES	FOR MODEL	DIMENSIONS
R303031	Spicer L3049	Late Model 55	Use with 1, 3, 7, 8 & 9 Leaf Springs

SPICER AXLE ATTACHING HARDWARE



MERITOR NO.	REPLACES	FOR MODEL	APPLICATION
R302907A	Spicer K1215	All Models With U-Bolts Down	Universal Axle



MERITOR NO.	REPLACES	FOR MODEL	DIMENSIONS
R301331	Spicer L1337	36	5 7/16" Long x 1 5/8" Wide x 11/16" Thick



MERITOR NO.	REPLACES	FOR MODEL	DIMENSIONS
R302011	Spicer L1338	36	8 3/4" Long x 4" Wide x 3/4" Thick

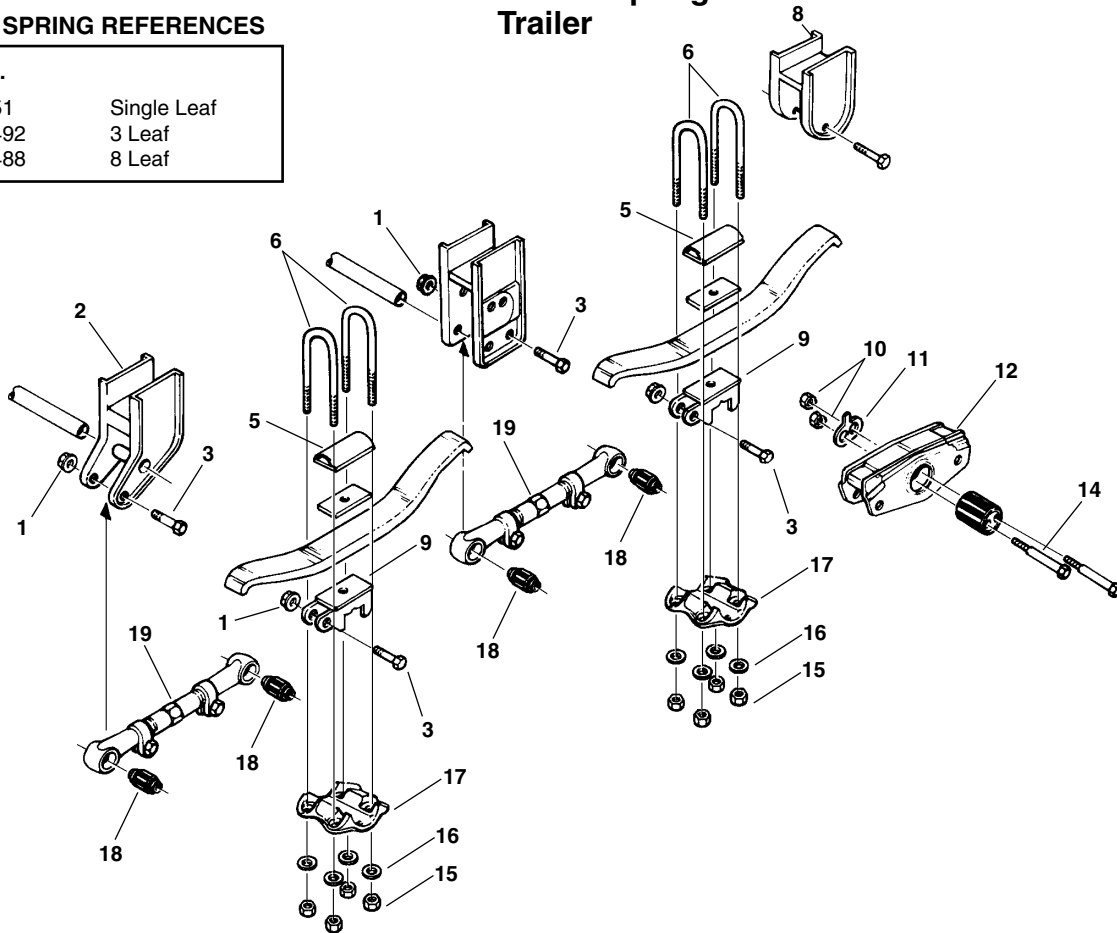
TRAILMOBILE SUSPENSION

Late Model - Fabricated Uses 3 1/2" Wide Springs Trailer

LEAF SPRING REFERENCES

SRI No.

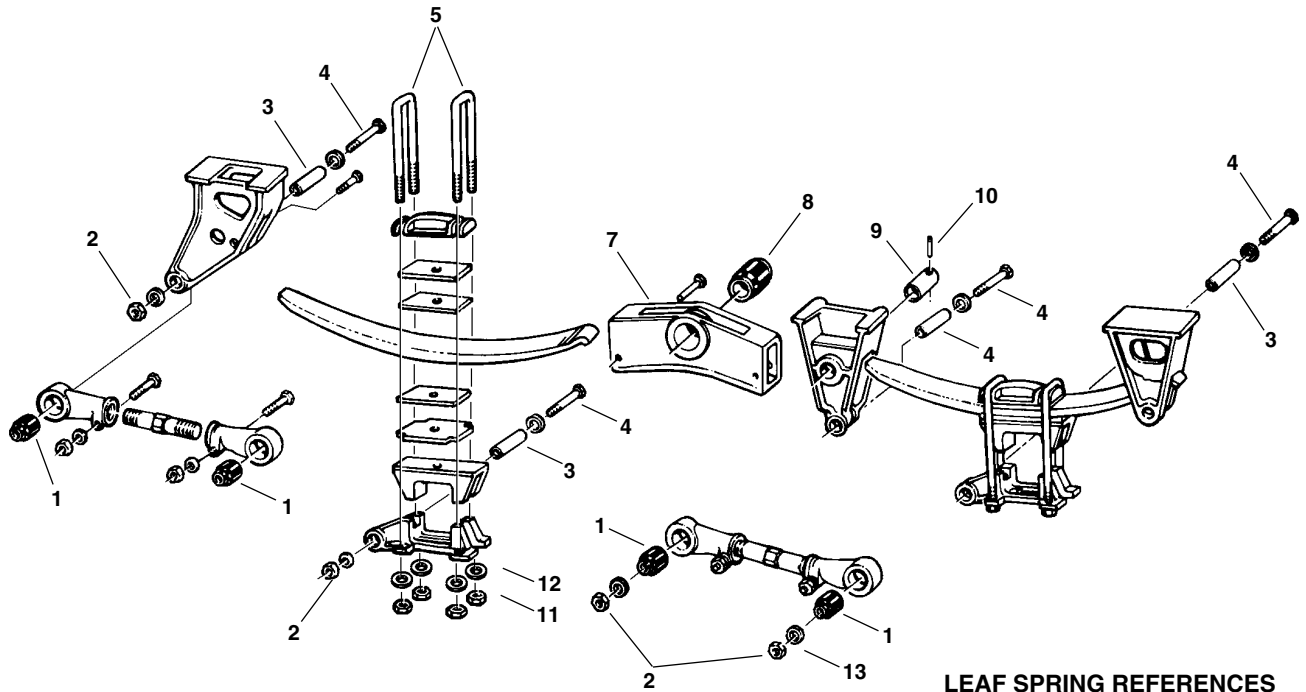
TRA 051	Single Leaf
TRA 1492	3 Leaf
TRA 1488	8 Leaf



KEY NO.	MERITOR NO.	REPLACES TRAILMOBILE NO.	DESCRIPTION	QUANTITY PER TANDEM	PAGE NO.
1	R302892	3-23-5, 43-1-003, & 38-2892	Nut	8	2-34
2	R303380	3-A1-16	Front Hanger	2	1-605
3	R302891	3-13-29, 43-1-001, 47190 & 3496071902	Bolt	8	2-32
5	R303385	3-A26-11, 3-A26-10	U-Bolt Top Plate	4	1-603
6	R30U5163-14	700-3-29, 700-3-29A	U-Bolt Assembly, Rd. Bend, 7/8"-14 Thd. x 3 1/2" Wide x 14" Long	8	2-27
8	R303382	3-A1-17	Rear Hanger	2	1-605
9	R303409	3-A5-7A	Axle Seat	4	1-604
	R303410	3-A5-7B			
10	R302002	50-2Z-69, 38-2002	Nut	4	1-603
11	R302001	3-36-16, 38-2001	Tab Lock	2	1-603
12	R303383	3-A66-43	Equalizer	2	1-602
14	R303392	50-B1T-34	Equalizer Bolt	4	1-603
15	R303002A	38-3002A	Hi-Nut	16	2-34
16	R302546	30-93600162, 22-T7292 & 38-2546	Washer	16	2-35
17	R303384	3-A5-8, 38-3384	Bottom Plate for 4" x 6" Rectangular Axle	4	1-604
18	R30934	3-12-35, 43-1-004, 12855, 38-934, and 3496072200	Torque Arm Bushing	8	1-603
19	R303390	3-A11-65A, 38-3390	Adjustable Torque Arm	4	1-604

TRAILMOBILE SUSPENSION

Early Model - Cast
Short Rocker
Uses 3 1/2" Wide Springs
Trailer



LEAF SPRING REFERENCES

SRI No.

TRA 051	Single Leaf
TRA 1492	3 Leaf
TRA 1488	5 Leaf

KEY NO.	MERITOR NO.	REPLACES TRAILMOBILE NO.	DESCRIPTION	QUANTITY PER TANDEM	PAGE NO.
1	R30640	3-12-16, 38788	Torque Arm Bushing	8	1-603
2	R301107	3-23-2 or 3-23-3, 37703, 37338 & 50-BZF-23C	Anchor Pin Jam Nut	8	2-34
3	R30641	39153, 21-SA1814	Torque Arm Pin	8	1-603
4	R301204	50-1B-200	Bolt	8	2-32
5	R30U5263-14	700-3-24	U-Bolt Assembly, Sq. Bend, 7/8"-14 Thd. x 3 1/2" Wide x 14" Long	8	2-28
7	R303398	3-A66-42	Equalizer	2	1-602
8	R301072	3-12-20, 21-SA1008 & 43902	Equalizer Bushing	2	1-602
9	N/A	3-10-34	Equalizer Shaft	2	—
10	R301279	3-10-36, 21-1075, & 13219	Lock Pin, 1/2" O.D. x 2 3/4" Long	2	1-604
11	R303002A	38-3002A	Hi-Nut	16	2-34
12	R302546	22-T7292, 30-93600162 & 38-2546	Washer	16	2-35
—	R301277	38-1277 & 700-7-44	Torque Arm Bushing Kit, Includes 1, 2, 3, 4.	—	1-602
13	R301206	3-36-5	Washer	—	1-602

N/A = No Longer Available

TRAILMOBILE SUSPENSION PARTS

EQUALIZER



Includes R303394A Bushing

MERITOR NO.	REPLACES	FOR MODEL	O.A.L.
R303383	Trailmobile 3-A66-43 38-3383	3 1/2" Fabricated	16"

EQUALIZER



Includes R301072 Bushing

MERITOR NO.	REPLACES	FOR MODEL	O.A.L.
R303398	Trailmobile 3-A66-42	Short Rocker	16 1/2"

EQUALIZER BUSHING



MERITOR NO.	REPLACES	FOR MODEL	O.D.	I.D.	LGTH.
R301072	Trailmobile 21-SA1008 43902	Short Rocker	3 1/8"	2"	4 1/4"

EQUALIZER BUSHING ASSEMBLY



MERITOR NO.	FOR MODEL	QTY	MERITOR NO.	DESCRIPTION
R303393	3 1/2" Fabricated	1	R303394A	Bushing
		2	R303392	Bolt
		1	R302001	Tab Lock
		2	R302002	Nut

EQUALIZER BUSHING



MERITOR NO.	REPLACES	FOR MODEL	O.D.	O.A.L.
R303394A	Trailmobile 3-12-32	3 1/2" Fabricated	3 1/4"	4 7/16"

TORQUE ARM BUSHING ASSEMBLY



MERITOR NO.	FOR MODEL	QTY	MERITOR NO.	DESCRIPTION
R303079	3 1/2" Fabricated	1	R30934	Bushing
		1	R302891	Bolt
		1	R302892	Nut (Flange)

TORQUE ARM BUSHING ASSEMBLY



MERITOR NO.	FOR MODEL	INCLUDES
N/A	Parallelogram	1 Bushing 1 Pin 1 Bolt 2 Washer 1 Nut

TORQUE ARM BUSHING ASSEMBLY



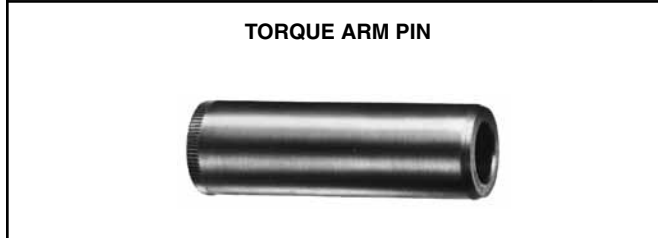
MERITOR NO.	FOR MODEL	QTY	MERITOR NO.	DESCRIPTION
R301277	Trailmobile 700-7-144	1	R30640	Bushing
		1	R30641	Pin
		1	R301204	Bolt
		2	R301206	Washer
		1	R301107	Nut

TRAILMOBILE SUSPENSION PARTS

EQUALIZER BOLT KIT		MERITOR R303527 For Trailmobile Fabricated with 3 1/2" Wide Springs Replaces Trailmobile 700-7-155			
ITEM	QTY.	MERITOR NO.	REPLACES TRAILMOBILE	DESCRIPTION	
1	2	R303392	50B1T-34	Equalizer Step Bolt 5/8"-18 Thd. x 3/4" x 6 1/2" Long	
2	1	R302001	3-36-16 38-2001	Lock Tab	
3	4	R302002	50-2Z-69 38-2002	Nut 5/8"-18 Thd.	
4	2	R303528	50-1B-146	Rebound Bolt 5/8"-18 Thd. x 5" Long	
5	2	R303529	3-34-45	Spacer Sleeve 2 1/32" I.D. x 7/8" O.D. x 3 3/4" O.A.L.	



MERITOR NO.	REPLACES	FOR MODEL	O.D.	I.D.	O.A.L.
R30640	Trailmobile 3-12-6	Short Rocker	2 5/16"	1 5/16"	2 1/4"



MERITOR NO.	REPLACES	FOR MODEL	O.D.	I.D.	O.A.L.
R30641	Trailmobile 3-12-6 21-SA1814	Short Rocker	15/16"	13/16"	4 3/16"



MERITOR NO.	REPLACES	FOR MODEL
R303385	Trailmobile 3-A26-11, 3-A26-10	3 1/2" Fabricated



MERITOR NO.	REPLACES	FOR MODEL	O.D.	I.D.	O.A.L.
R30934 (Rubber)	Trailmobile 3-12-35, 43-1-004, 12855, 38-934, & 3496072200	3 1/2" Fabricated	1 29/32"	1"	3"
R307453 (Poly)					



MERITOR NO.	REPLACES NEWAY	FOR MODEL	O.D.	I.D.	LENGTH
R302936	Neway 90008005 Reyco 0926-00 Trailmobile 30-90008005	ART-500-US	3 1/4	2 1/2"	9"

TRAILMOBILE SUSPENSION PARTS

AXLE SEAT
4" x 6" AXLE



MERITOR NO.	REPLACES	FOR MODEL	A
R303409	Trailmobile 3-A5-7A	3 1/2" Fabricated	1"
R303410	Trailmobile 3-A5-7B		1 3/4"

BOTTOM PLATE
4" x 6" AXLE



MERITOR NO.	REPLACES	FOR MODEL
R303384	Trailmobile 3-A5-8 38-3384	3 1/2" Fabricated

ADJUSTABLE



MERITOR NO. WITH BUSHINGS	REPLACES	HANGER FOR MODEL	AXLE SEAT END BUSHING	HANGER END END BUSHING	AXLE SEAT BUSHING KIT	END BUSHING KIT	LENGTH Center-to-Center	TYPE
R303390	Trailmobile 3-A11-65A 38-3390	3 1/2" Fabricated	R30934	R30934	R303079	R303079	17"	1

RIGID



MERITOR NO. WITH BUSHINGS	REPLACES	FOR MODEL	HANGER END BUSHING	AXLE SEAT END BUSHING	HANGER END BUSHING KIT	AXLE SEAT END BUSHING KIT	LENGTH Center-to-Center
R303391	Trailmobile 3-A11-64	3 1/2" Fabricated	R30934	R30934	R303079	R303079	17"

LOCK PIN



MERITOR NO.	REPLACES	APPLICATION	O.D.	LENGTH
R301279	Trailmobile 3-10-36 21-1075 13219	Four-Spring Suspension with Steel Hangers	1/2"	2 3/4"

TRAILMOBILE SUSPENSION PARTS

FRONT HANGER



REAR HANGER

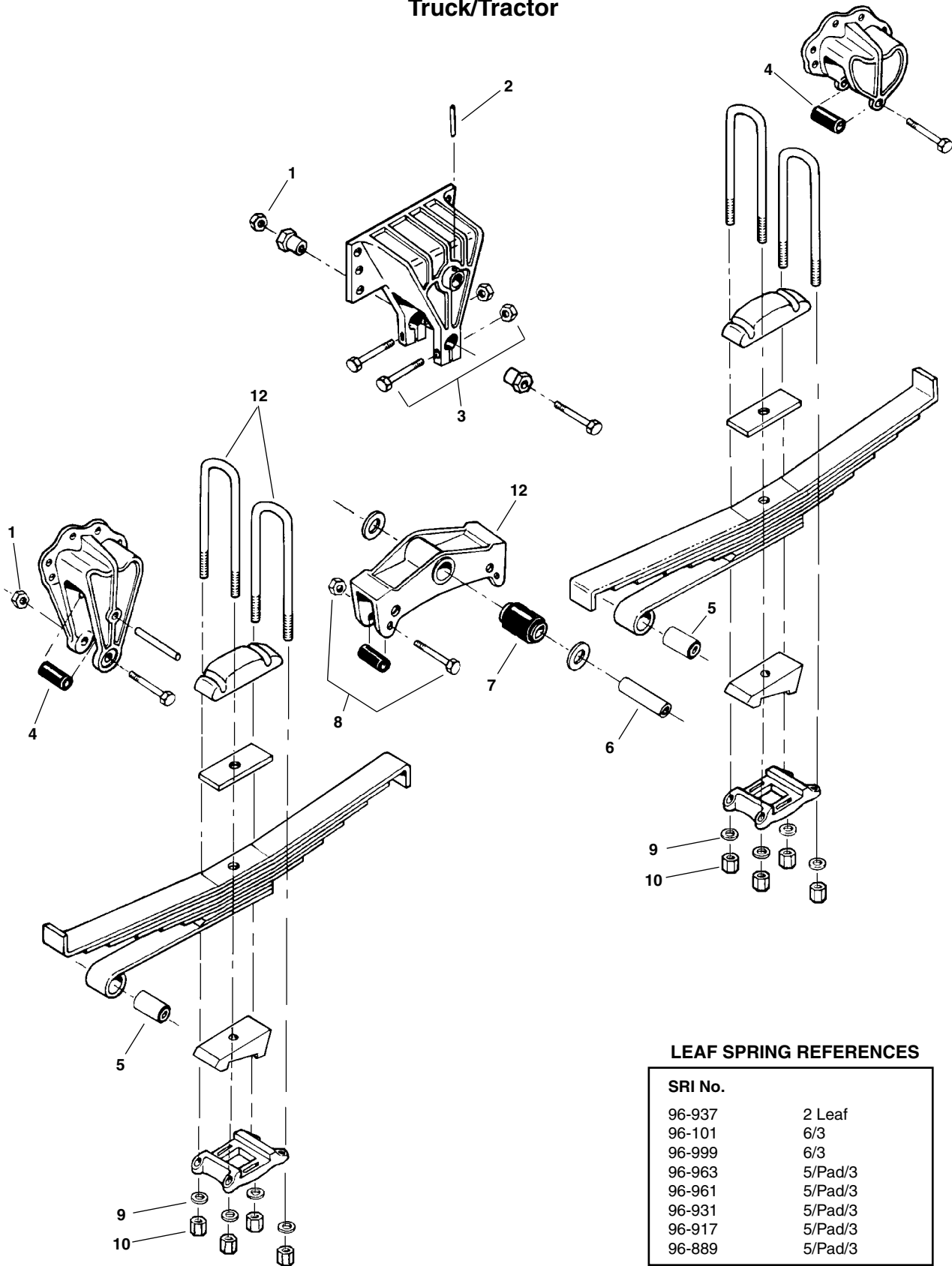


MERITOR NO.	REPLACES	FOR MODEL	MERITOR NO.	REPLACES	FOR MODEL
R303380	Trailmobile 3-A1-16	3 1/2" Fabricated	R303382	Trailmobile 3-A1-17	3 1/2" Fabricated

1

VOLVO FOUR-SPRING SUSPENSION

With Steel Hangers
Old Style
Truck/Tractor



LEAF SPRING REFERENCES

SRI No.

96-937	2 Leaf
96-101	6/3
96-999	6/3
96-963	5/Pad/3
96-961	5/Pad/3
96-931	5/Pad/3
96-917	5/Pad/3
96-889	5/Pad/3

VOLVO FOUR-SPRING SUSPENSION PARTS

With Steel Hangers

Old Style

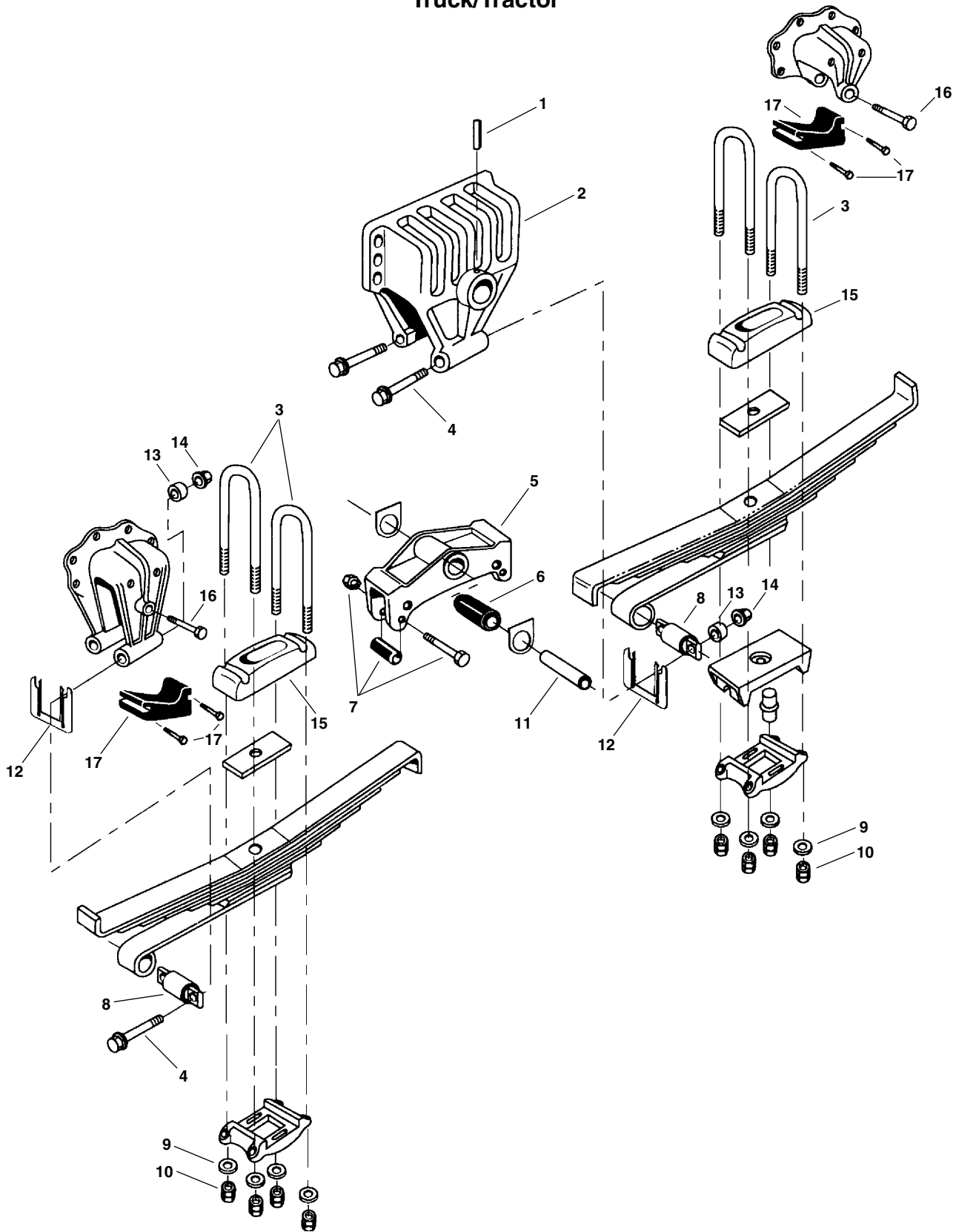
Truck/Tractor

KEY NO.	MERITOR NO.	REPLACES VOLVO NO.	DESCRIPTION	QUANTITY PER TANDEM	PAGE NO.
1	R302983	550631	Lock Nut	4	2-34
2	R301279	V8020421	Lock Pin	2	1-614
3	R303846	—	Clamp Bolt & Nut Assembly	4	1-615
4	R303839	35042-0001	Rubber Ferrule	4	1-615
5	R303849	02-7012438	Spring Eye Bushing	4	1-614
6	R303083A	V8027425	Equalizer Shaft	2	1-614
7	R303082	V8027424	Equalizer Bushing	2	1-614
8	R303852	—	Equalizer Roller Assembly	4	1-614
9	R302545	V8060235	Washer	16	2-35
10	R303001	V8027431	Hi-Nut	16	2-34
11	R30U8151-18	35019-0013	U-Bolt Assembly Rd. Bend, 3/4"-16 Thd. x 3" Wide x 18" Long	8	2-25
		35019-0012			
		V8027431			
12	R303844	35011-5002	Equalizer	4	1-614
		V8061451			
		V8027430			

1

VOLVO FOUR-SPRING SUSPENSION

With Steel Hangers
New Style
Truck/Tractor



1

VOLVO FOUR-SPRING SUSPENSION PARTS

With Steel Hangers

New Style

Truck/Tractor

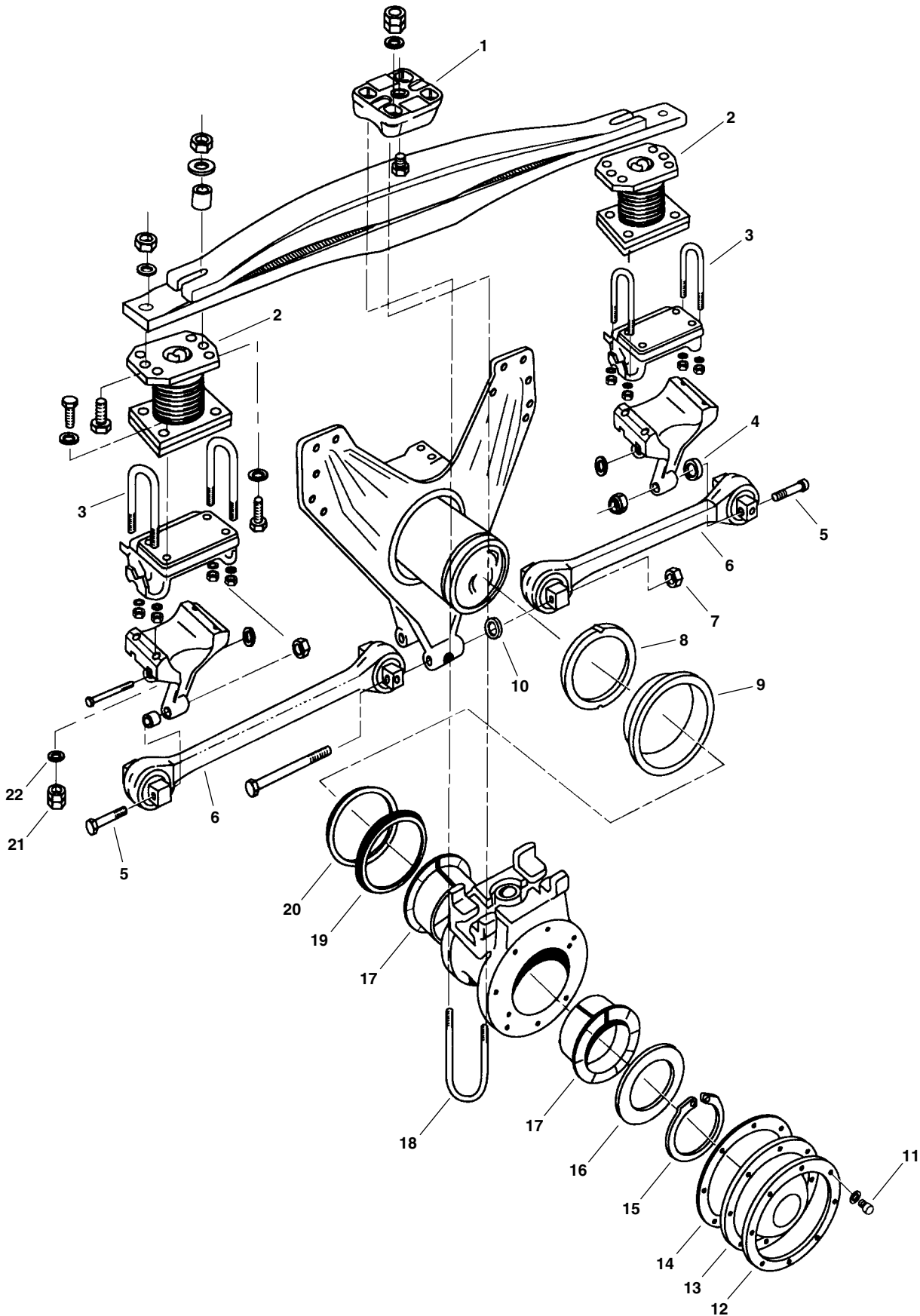
KEY NO.	MERITOR NO.	REPLACES VOLVO NO.	DESCRIPTION	QUANTITY PER TANDEM	PAGE NO.
1	R301279	V8020421	Lock Pin	2	1-614
2	S.O.S.	35023-0001 (Old)	Equalizer Hanger Bracket	2	—
	R3011393	V8027428 (New)			
3	R30U8151-18	35019-0013	U-Bolt Assembly, Rd. Bend, 3/4"-16 Thd. x 3" Wide x 18" Long	8	2-25
		35019-0012			
		V8027431			
4	R308909	V8397091	Radius Leaf Attaching Bolt, Front	4	1-615
	R308910	V8397092	Radius Leaf Attaching Bolt, Back	4	1-615
5	R303844	35011-5002 (Old)	Equalizer with Bushing	2	1-614
		V8027430 (New)			
6	R303082	V8027424	Equalizer Bushing	2	1-614
7	R303852	—	Equalizer Roller Assembly	4	1-614
8	R302225	35033-3201 (Old)	Spring Bushing	4	1-615
		V8027424 (New)			
9	R302545	V8060235	Washer	16	2-35
10	R303001	V8027431	Hi-Nut	16	2-34
11	R303083A	V8027425	Equalizer Shaft	2	1-614
12	R305281	V8020329	Radius Leaf Shim	4	1-615
13	R308912	514834	Radius Leaf Spacer	8	1-615
14	R308911	V8397202	Radius Leaf Nut	8	2-34
15	R308818	V8027433	Top Plate	4	1-615
16	N/A	V8060022	Bolt	4	—
17	R308819	—	Wear Pad Kit	4	1-615

S.O.S. = Available through Meritor's S.O.S. Department

N/A = No Longer Available

VOLVO "T-RIDE" SUSPENSION

1



VOLVO "T-RIDE" SUSPENSION PARTS

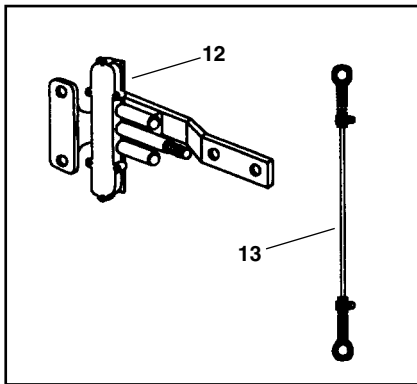
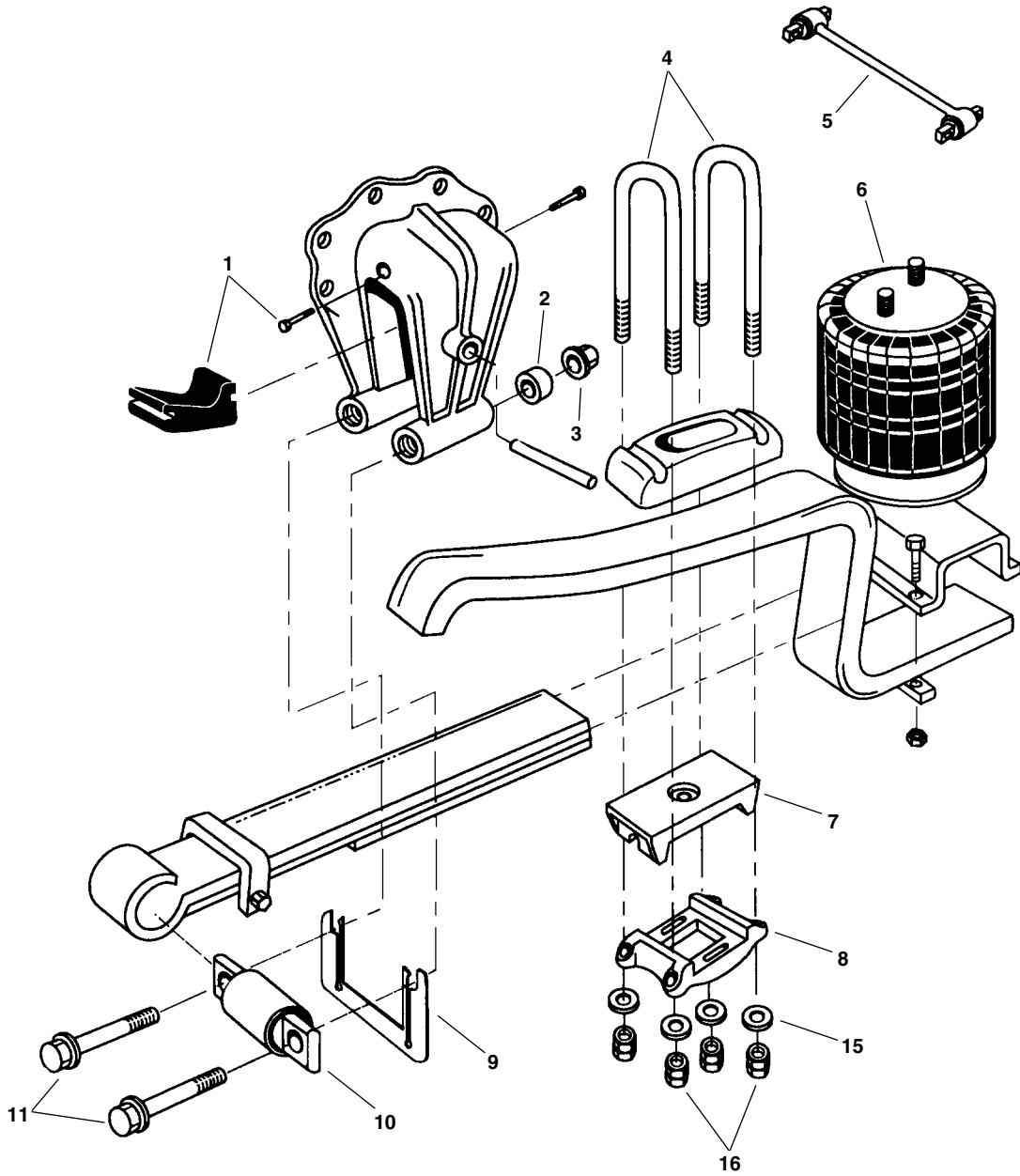
KEY NO.	MERITOR NO.	REPLACES VOLVO NO.	DESCRIPTION	QUANTITY PER TANDEM	PAGE NO.
1	R308850	V8057237	Top Plate	2	1-617
2	R308851	1629553	Rubber Load Spring	4	1-616
3	R30U8151-10	V8057236	U-Bolt Assembly, Rd. Bend, 3/4"-16 Thd. x 3" Wide x 10" Long	8	2-25
	R30U8151-12	V8059359	U-Bolt Assembly, Rd. Bend, 3/4"-16 Thd. x 3" Wide x 12" Long		
4	N/A	665306	Forward Axle Spacer Washer, M16 x 2 Thd. x 4 1/4" Long	4	1-616
5	S.O.S.	V955375	Forward Torque Arm Screw, M16 x 2 Thd. x 5" Long	4	—
	S.O.S.	V955376	Rear Torque Arm Screw, M16 x 2 Thd. x 4 1/2" Long		
6	R308853	8028945	Rigid Torque Arm, Bar Type	4	1-616
	R308853A	8074268	Rigid Torque Arm, Tube Type		
7	S.O.S.	V945884	Torque Rod Lock Nut	12	—
8	R308830	V1509219	Thrust Washer	2	1-616
9	R308834	V1586518	Wear Ring	2	1-617
10	R308844	99-9419279	Torque Arm Spacer Washer	4	2-35
11	R308840	V946440	Hub Cap Screw	16	1-617
12	R308839	V1590508	Hub Cap Ring	2	1-618
13	R308838	V1502292	Trunnion Hub Cap	2	1-616
14	R308837	V1620742	Gasket	2	1-618
15	R308832	V951082	Lock Ring	2	1-617
16	R308831	V1590064	Thrust Washer	2	1-616
17	R308833	V1620443	Trunnion Bushing	4	1-617
18	R30U8142-06	V1590074	U-Bolt Assembly, Rd. Bend, 5/8"-18 Thd. x 3 1/8" Wide x 6" Long	4	2-25
19	R308836	V1586520	Sealing Ring	2	1-617
20	R308835	V1593522	Sealing Ring	2	1-617
21	R303001	—	U-Bolt Hi-Nut	16	2-34
22	R302545	—	Washer	16	2-35

S.O.S. = Available through Meritor's S.O.S. Department

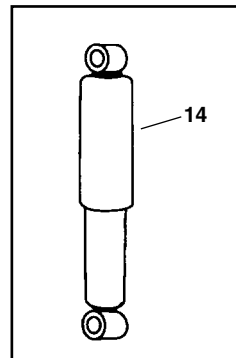
N/A = No Longer Available

VOLVO CORPORATE AIR RIDE SUSPENSION

1



Height Control Valve & Link



Shock Absorber

VOLVO CORPORATE AIR RIDE SUSPENSION PARTS

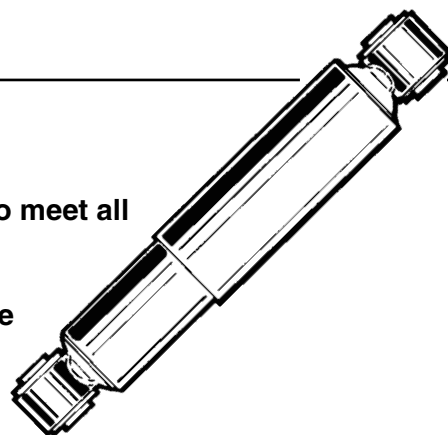
KEY NO.	MERITOR NO.	REPLACES VOLVO NO.	DESCRIPTION	QUANTITY PER AXLE	PAGE NO.
1	R308819	V8027423	Wear Pad Kit	4	1-615
2	R308912	514834	Front Leaf Spacer	4	1-615
3	R308911	V8397202	Leaf Attaching Nut	4	2-34
4	R30U8151-16	V8027431	U-Bolt Assembly, Rd. Bend, 3/4"-16 Thd. x 3" Wide x 16" Long	4	2-25
5	R308821	35801-0068	Rigid Torque Arm	1	1-616
6	FS9219	35003-3204	Air Spring	2	—
		35003-3209			
7	N/A	35028-0137	Axle Seat - Forward Eaton	2	—
	N/A	35028-0119	Axle Seat - Forward Meritor		—
	N/A	35028-0120	Rear Axle Seat		2
8	N/A	35020-0102	Bottom Plate, Forward Axle, Left Hand	1	—
	N/A	35020-0103	Bottom Plate, Forward Axle, Right Hand	1	—
	N/A	35020-0104	Bottom Plate Rear, Left Hand	1	—
	N/A	35020-0105	Bottom Plate Rear, Right Hand	1	—
9	R305281	V8020329	Radius Leaf Shim	2	1-615
10	R302225	35033-3201	Spring Bushing	2	1-615
11	R308909	V8397091	Radius Leaf Attaching Bolt, Front	4	1-615
	R308910	V8397092	Radius Leaf Attaching Bolt, Rear	4	1-615
12	R304323	—	Height Control Valve	1	2-58
13	R307852	—	Leveling Valve Link Kit	1	2-61
14	85047	8169859	Gas-Magnum 65 Shock Absorber	2	3-9
	85024	8071524			
	85046	8026658			
15	R302545	—	Washer	8	2-35
16	R303001	35901-3201	Hi-Nut	8	2-34

N/A = No Longer Available

Don't Forget!!

Meritor offers a comprehensive Shock Absorber line to meet all your Heavy, Medium and Light-Duty truck needs.

Refer to Gabriel Heavy Truck Catalog for their complete Shock Absorber offering.



VOLVO FOUR-SPRING SUSPENSION PARTS

EQUALIZER



Includes R303082 Bushing

MERITOR NO.	REPLACES	APPLICATION
R303844	Volvo 35011-5002	Four-Spring Suspension with Steel Hangers

EQUALIZER SPRING ROLLER ASSEMBLY



N.S.S. = Not sold separately.

MERITOR NO.	APPLICATION	QTY	MERITOR NO.	DESCRIPTION
R303852	Four-Spring Suspension with Steel Hangers	1	R301972	Bolt
		1	N.S.S.	Roller
		1	N.S.S.	Nut

EQUALIZER SHAFT



MERITOR NO.	REPLACES	APPLICATION	O.D.	LENGTH
R303083A	Volvo V8027425	Four-Spring Suspension with Steel Hangers	2"	6 7/8"

LOCK PIN



MERITOR NO.	REPLACES	APPLICATION	O.D.	LENGTH
R301279	Volvo V8020421	Four-Spring Suspension with Steel Hangers	1/2"	2 3/4"

EQUALIZER BUSHING ASSEMBLY



N.S.S. = Not sold separately.

MERITOR NO.	APPLICATION	QTY	MERITOR NO.	DESCRIPTION
R303845	Four-Spring Suspension with Steel Hangers	1	R303082	Bushing
		1	R303083A	Shaft
		4	R303828	Washer N.S.S.
		1	R301279	Lock Pin

EQUALIZER BUSHING



MERITOR NO.	REPLACES	APPLICATION	O.D.	I.D.	LENGTH
R303082	Volvo V8027424	Four-Spring Suspension with Steel Hangers	3 1/8"	2"	4 1/4"

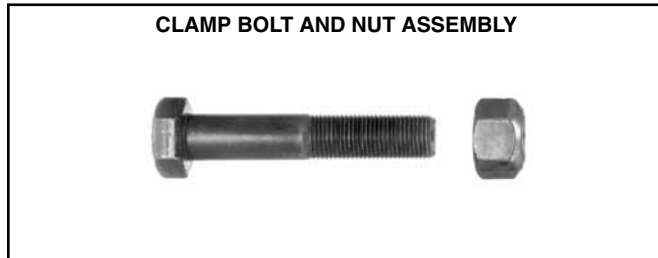
SPRING EYE BUSHING



MERITOR NO.	REPLACES	APPLICATION	O.D.	I.D.	LENGTH
R303849	Volvo 02-7012438	Four-Spring Suspension with Steel Hangers	1 3/4"	7/8"	3 1/4"

1

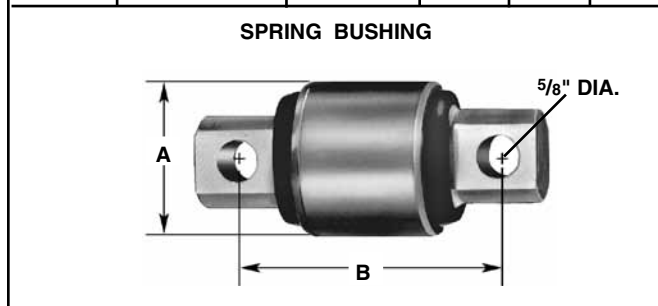
VOLVO FOUR-SPRING SUSPENSION PARTS



MERITOR NO.	APPLICATION	BOLT DIMENSIONS
R303846	Four-Spring Suspension with Steel Hangers	5/8"-18 Thread x 3 1/4" Long



MERITOR NO.	REPLACES	INCLUDES	FOR MODEL	WIDTH	SLOT WIDTH
R308819	Volvo 8061971 (New) Wear Pad Volvo V8027423 (Old) Wear Pad Volvo V8020446 Mounting Screw	1 Wear Pad* 2 Mounting Screws* *Not Sold Separately	Four-Spring Air Ride	3 1/4"	1/2"



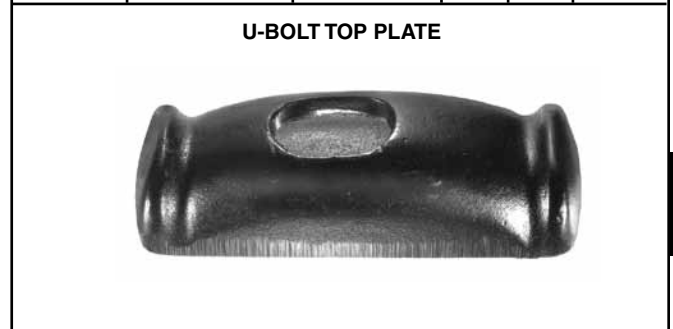
MERITOR NO.	REPLACES	FOR MODEL	A	B
R302225	Volvo 35033-3201	Four-Spring Air Ride	2 17/32"	4 3/8"



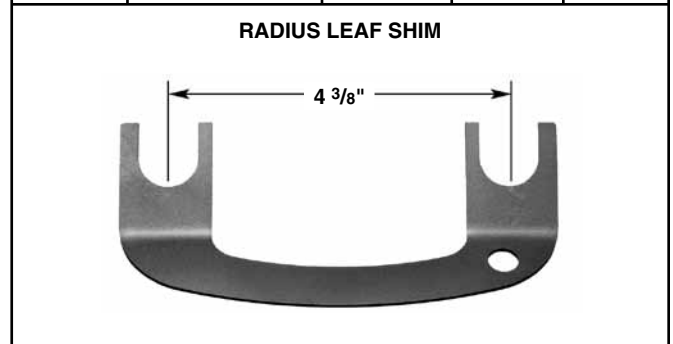
MERITOR NO.	REPLACES	FOR MODEL	O.D.	I.D.	THICK
R308912	Volvo 514834	Four-Spring	1 1/4"	5/8"	3/8"



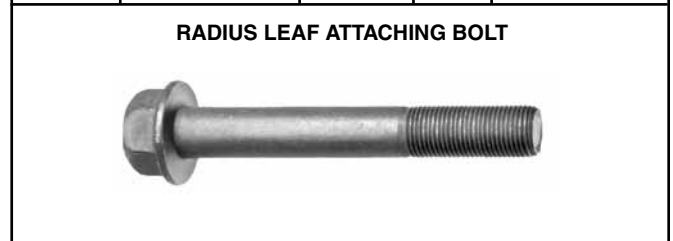
MERITOR NO.	REPLACES	APPLICATION	O.D.	I.D.	LENGTH
R303839	Volvo 35042-0001	Rear Hanger Spring Eye	1 3/8"	25/32"	3"



MERITOR NO.	REPLACES	FOR MODEL	LENGTH	WIDTH
R308818	Volvo V8027433	Four-Spring Air Ride	8 1/2"	3"



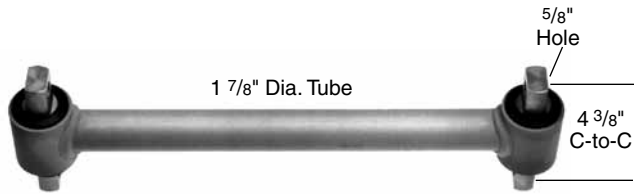
MERITOR NO.	REPLACES	FOR MODEL	HOLE SIZE	LENGTH Center-to-Center
R305281	Volvo V8020329	Four-Spring Air Ride	5/8"	4 3/8"



MERITOR NO.	REPLACES	FOR MODEL	THREAD	LENGTH
R308909 (Front)	Volvo V8397091	Four-Spring	5/8"-11	6"
R308910 (Rear)	Volvo V8397092		5/8"-11	6 5/8"

VOLVO SUSPENSION PARTS

RIGID TORQUE ARM



For small tube use
Volvo Part No. 3187322

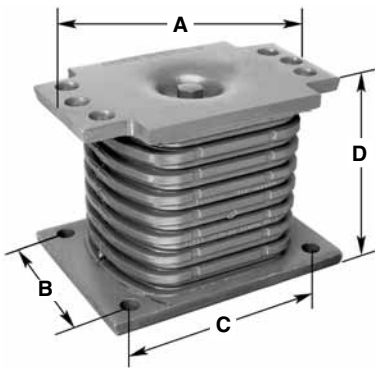
MERITOR NO.	REPLACES	FOR MODEL	LENGTH Center-to-Center
R308821	Volvo 35801-0068	Air Ride	22 1/8"
R308853A	Volvo 8074268	T-Ride	22 5/8"

RIGID TORQUE ARM Tube Type



MERITOR NO.	REPLACES	FOR MODEL	LENGTH Center-to-Center
R308853	Volvo 8028945	T-Ride	22 5/8"

RUBBER LOAD SPRING



MERITOR NO.	REPLACES	FOR MODEL	A	B	C	D
R308851	Volvo 1629553	T-Ride	7 1/16"	4 1/2"	6 1/4"	6"

TRUNNION HUB CAP



MERITOR NO.	REPLACES	FOR MODEL	O.D.	I.D.	BOLT CIRCLE
R308838	Volvo V1502292	T-Ride	9"	7 5/16"	8 1/8"

THRUST WASHER



MERITOR NO.	REPLACES	FOR MODEL	O.D.	I.D.	THICKNESS
R308830	Volvo V1509219	T-Ride	6 15/16"	5 1/8"	1/4"

THRUST WASHER



MERITOR NO.	REPLACES	FOR MODEL	O.D.	I.D.	THICKNESS
R308831	Volvo V1590064	T-Ride	7"	5 1/8"	1/4"

VOLVO SUSPENSION PARTS

TRUNNION BUSHING



MERITOR NO.	REPLACES	FOR MODEL	O.D.	I.D.
R308833	Volvo V1620443	T-Ride	5 1/4"	5 1/16"

LOCK RING



MERITOR NO.	REPLACES	FOR MODEL	I.D.	THICKNESS
R308832	Volvo V951082	T-Ride	4 13/16"	5/32"

SEALING RING



MERITOR NO.	REPLACES	FOR MODEL	O.D.	I.D.
R308835	Volvo V1593522	T-Ride	7"	6 3/8"
R308836	Volvo V1586520		7 1/4"	6 1/4"

WEAR RING



MERITOR NO.	REPLACES	FOR MODEL	O.D.	I.D.
R308834	Volvo V1586518	T-Ride	7 1/16"	6 15/16"

HUB CAP SCREW



MERITOR NO.	REPLACES	FOR MODEL	THD. SIZE	BOLT LENGTH	THREAD LENGTH
R308840	Volvo V946440	T-Ride	M8x1.25	16mm	5/8"

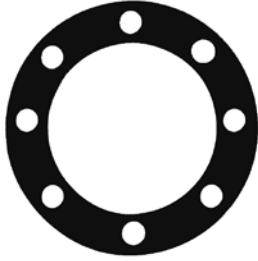
TOP PLATE



MERITOR NO.	REPLACES	FOR MODEL	O.D.	I.D.	BOLT CIRCLE
R308850	Volvo V8057237	T-Ride	—	—	—

VOLVO SUSPENSION PARTS

GASKET



HUB CAP RING



MERITOR NO.	REPLACES	FOR MODEL	O.D.	I.D.	BOLT CIRCLE
R308837	Volvo V1620742	T-Ride	9"	7 5/16"	8 1/8"

MERITOR NO.	REPLACES	FOR MODEL	O.D.	I.D.	BOLT CIRCLE
R308839	Volvo V1590508	T-Ride	8 13/16"	7 1/2"	8 1/8"

NOTES



MERITOR®

an *ArvinMeritor*. brand



COMPONENT PARTS **SECTION TWO**

SPECIALTY POLYURETHANE COMPONENTS

"The Problem Solvers When Rubber Won't Last"
For Severe Service Applications

Meritor's line of Specialty Polyurethane Components has been designed to meet the severe service needs of the Heavy-Duty Trucking industry. Through extensive field testing, product design and compound development, a new and unique polyurethane material has evolved called "Double Bond."

"Double Bond" polyurethane is a unique material that offers the elasticity of rubber with the toughness and durability of metal. "Double Bond," unlike natural rubber compounds, has outstanding strength and abrasion characteristics, provides for excellent aging, and offers resistance to oils, fuels and ozone. Test results have shown "Double Bond" to outperform natural rubber components by approximately three to ten times depending upon application.

These Specialty Polyurethane Components have proven to be ideally suited for tanker, logging, refuse and construction applications where the extreme loads create the special need for longer lasting "Double Bond" Polyurethane Components.



Listed Alphabetically by O.E.M.

SPRING EYE BUSHING
For Cambria



Included in R309341

MERITOR NO.	REPLACES	O.D.	I.D.	LENGTH
R307447	Cambria A80BL0017	1 1/2"	7/8"	2 3/4"

TORQUE ARM BUSHING
For Chalmers



Require 4 per Torque Arm

MERITOR NO.	REPLACES	LIP O.D.	I.D.	LENGTH
R307426	Chalmers 800010	4 1/4"	2 1/2"	2 1/8"

TORQUE ARM BUSHING
For Chalmers



Require 4 per Torque Arm

MERITOR NO.	REPLACES	LIP O.D.	I.D.	LENGTH
R307427	Chalmers 22129	3 5/8"	2 3/8"	1 7/8"

OVERSIZE TORQUE ARM BUSHING
For Chalmers



Requires 4 per Torque Arm

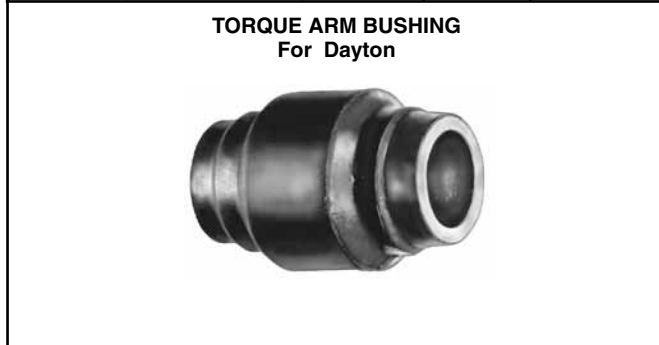
MERITOR NO.	REPLACES	LIP O.D.	I.D.	LENGTH
R308917	Chalmers 800009	4 1/2"	2 1/2"	2 1/16"

SPECIALTY POLYURETHANE COMPONENTS

Listed Alphabetically by O.E.M.



MERITOR NO.	REPLACES	O.D.	I.D.	LENGTH
R307429	Crown Coach 3522-18	2 1/4" (Lg.) 2 3/4" (Sm)	1 1/4"	2 3/4"



MERITOR NO.	REPLACES	O.D.	I.D.	LENGTH
R307520	Dayton 39400016 Navistar 347374C1	1 29/32"	7/8"	3"



MERITOR NO.	REPLACES	WIDTH	LENGTH	THICK	HOLE DIA.
R307430	Freightliner A01-11166-000	1 13/16"	2 13/16"	7/16"	11/16"



MERITOR NO.	REPLACES	O.D.	I.D.	LENGTH
R307432	Fruehauf UXA-000004	3 1/2"	2"	4 3/8"



MERITOR NO.	REPLACES	O.D.	I.D.	LENGTH
R307445	—	4"	1 1/4"	2 1/4"



MERITOR NO.	REPLACES	O.D.	I.D.	LENGTH
R308918	Ford D0HZ-6068B	3"	1 1/2"	3"



MERITOR NO.	REPLACES	O.D.	I.D.	LENGTH
R307431	Freightliner CBA/24-650-17	2 3/8" (Lg.) 1 1/2" (Sm.)	2 1/32"	2 1/8"



MERITOR NO.	REPLACES	O.D.	I.D.	LENGTH
R3011853	Freightliner A17-10464-001	4"	1/2"	2 3/4"

2

SPECIALTY POLYURETHANE COMPONENTS

Listed Alphabetically by O.E.M.

TORQUE ARM BUSHING
For Fruehauf



MERITOR NO.	REPLACES	O.D.	I.D.	LENGTH
R307433	Fruehauf UXA-000011	2 3/16"	1 1/4"	2 3/8"

TRUNNION BUSHING
For Fruehauf



MERITOR NO.	REPLACES	O.D.	I.D.	LENGTH
R307442	Fruehauf 356051	4 1/2"	3 1/2"	3 1/2"

TRUNNION BUSHING
For Fruehauf M2



MERITOR NO.	REPLACES	O.D.	I.D.	LENGTH
R308663	Fruehauf UXA-000160	5"	4"	8 5/16"

SPRING END PAD
For Fruehauf



MERITOR NO.	REPLACES	WIDTH	LENGTH	THICKNESS
R308664	Fruehauf UCD-005635-001	7 5/8"	4 3/4"	1"

TRUNNION BUSHING
For General Trailer



MERITOR NO.	REPLACES	O.D.	I.D.	LENGTH
R307434	General 70-703	4 15/16"	4"	7 7/8"

CAB MOUNT
For GMC



MERITOR NO.	REPLACES	O.D.	I.D.	LENGTH
R307439	GMC 2005774 CBA/24-650-17	3 1/4" Lg. 1 5/8" Sm.	9/16"	2 1/4"

MOTOR MOUNT
For GMC



MERITOR NO.	REPLACES	O.D.	I.D.	LENGTH
R307440	GMC 702727	3 1/4" Lg. 2 1/4" Sm.	5/8"	2 5/8"

MOTOR MOUNT
For GMC



MERITOR NO.	REPLACES	O.D.	I.D.	LENGTH
R308650	GMC 15906936	2 3/8" Lg. 1 1/2" Sm.	5/8"	2 1/4"

2

SPECIALTY POLYURETHANE COMPONENTS

Listed Alphabetically by O.E.M.



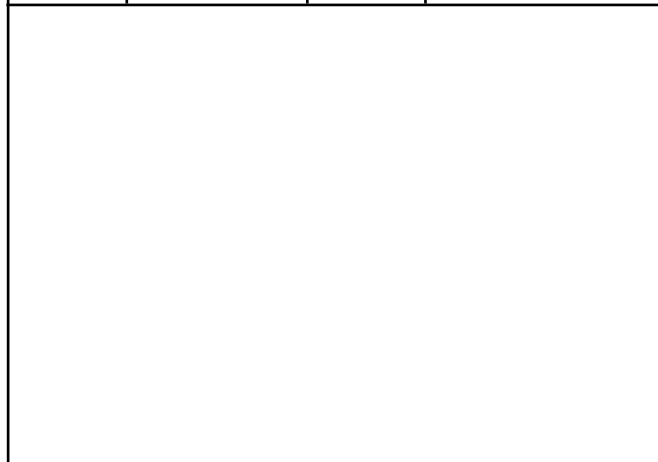
MERITOR NO.	REPLACES	O.D.	I.D.	LENGTH
R307450	Holland XB-0011-2	2 1/4"	1 1/8"	4 1/4"



MERITOR NO.	REPLACES	O.D.	I.D.	LENGTH
R308652	Holland 1604-9	2 1/2"	1 1/2"	4 1/4"



MERITOR NO.	REPLACES	O.D.	LENGTH
R307452	Hutchens 7010-00	3 1/4"	3 7/8"



MERITOR NO.	REPLACES	O.D.	I.D.	LENGTH
R307451	Holland 1604-5	2 3/4"	1 1/8"	4 1/4"



MERITOR NO.	REPLACES	O.D.	I.D.	LENGTH
R308927	Holland XB-0012-2	2 1/4"	1 7/16"	4 1/4"



MERITOR NO.	REPLACES	O.D.	I.D.	LENGTH
R307453	Hutchens 722-00	1 29/32"	1"	3"



MERITOR NO.	REPLACES	O.D.	I.D.	LENGTH
R307455	Hutchens 11357-00	5"	4"	9"

2

SPECIALTY POLYURETHANE COMPONENTS

Listed Alphabetically by O.E.M.

SPRING END PAD
For Hutchens



MERITOR NO.	REPLACES	LENGTH	WIDTH	THICKNESS
R308665	Hutchens 814-00	5"	2 7/8"	13/16"

SUSPENSION BUSHING
For Hyster



MERITOR NO.	REPLACES	O.D.	I.D.	LENGTH
R307457	Hyster 400329	5 21/32"	3"	2 7/8"

BATTERY BOX WASHER
For Kenworth



MERITOR NO.	REPLACES	O.D.	I.D.	THICKNESS
R307459	Kenworth K363-409	1 1/2"	3/8"	3/16"

BROWNIE WASHER
For Kenworth
Use with R307460 as a Set



MERITOR NO.	REPLACES	O.D.	I.D.	THICKNESS
R307461	Kenworth K363-275	2 1/4"	1 5/64"	3/8"

EQUALIZER BUSHING
For Hutchens H9600 and H-9700



MERITOR NO.	REPLACES	O.D.	I.D.	LENGTH
R308666	Hutchens 16146-01	3 1/2"	1 1/8"	3 7/8"

BATTERY BOX BUSHING
For Kenworth



MERITOR NO.	REPLACES	O.D.	I.D.	LENGTH
R307458	Kenworth 4023	1 1/2"	3/8"	1"

BROWNIE MOUNT
For Kenworth
Use with R307461 as a Set



MERITOR NO.	REPLACES	O.D.	I.D.	LENGTH
R307460	Kenworth K066-269	2 1/4"	7/8"	1 1/64"

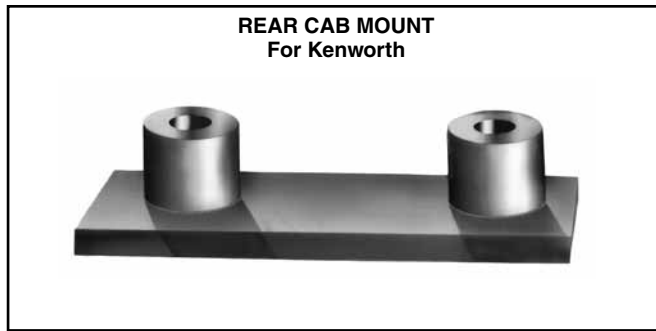
REAR CAB MOUNT
For Kenworth



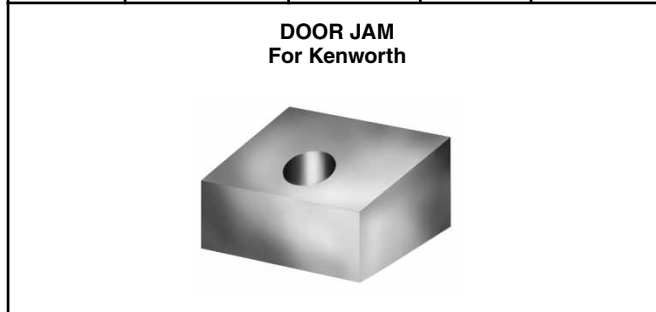
MERITOR NO.	REPLACES	LARGE O.D.	SMALL O.D.	I.D.	LENGTH
R307462	Kenworth M600	3"	1 7/8"	5/8"	2 1/2"

SPECIALTY POLYURETHANE COMPONENTS

Listed Alphabetically by O.E.M.



MERITOR NO.	REPLACES	WIDTH	LENGTH	HEIGHT
R307463	—	3 1/16"	9 3/8"	2 5/16"



MERITOR NO.	REPLACES	WIDTH	LENGTH	HEIGHT
R307465	Kenworth K036-136	1 9/16"	1 3/4"	7/8"



MERITOR NO.	REPLACES	O.A.L.	THREAD SIZE	THREAD LENGTH
R307467	Kenworth K179D450	4 13/16"	1/2" - 13	1"



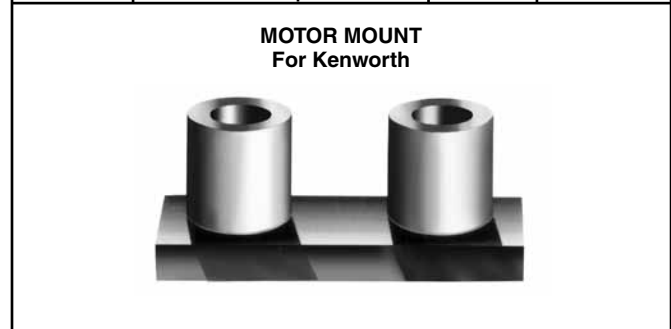
MERITOR NO.	REPLACES	O.D.	I.D.	LENGTH
R307469	Kenworth K700	3 25/32" (Lg.) 2 1/16" (Sm.)	3/4"	2 19/32"



MERITOR NO.	REPLACES	O.D.	I.D.	LENGTH
R307464	Kenworth K066-178	2 1/8"	1 5/16"	2 1/4"



MERITOR NO.	REPLACES	O.D.	I.D.	LENGTH
R307466	Kenworth M300	1 13/16" (Lg.) 1 3/16" (Sm.)	1/2"	1"



MERITOR NO.	REPLACES	WIDTH	LENGTH	HEIGHT
R307468	Kenworth M506-70NR	2"	5 1/2"	2 3/8"



MERITOR NO.	REPLACES	O.D.	I.D.	HOLE DIA.	WIDTH
R307470	Kenworth K174-155 K174B456	4 1/2"	3 1/2"	3/4" x 1 1/4"	2"

2

SPECIALTY POLYURETHANE COMPONENTS

Listed Alphabetically by O.E.M.

2

RADIATOR MOUNT
For Kenworth



MERITOR NO.	REPLACES	O.D.	I.D.	LENGTH
R307471	Kenworth M500	2 13/64" (Lg.) 1 1/2" (Sm.)	5/8"	2 3/16"

MOUNT
For Kenworth



MERITOR NO.	REPLACES	O.D.	I.D.	LENGTH
R307473	Kenworth M602	3 1/64" (Lg.) 1 53/64" (Sm.)	5/8"	1 15/16"

AIR RIDE BUSHING
For Kenworth



MERITOR NO.	REPLACES	O.D.	I.D.	O.A.L.
R307446A	Kenworth CA-293	2 7/8"	2"	4"

RADIATOR BUSHING
For Kenworth



MERITOR NO.	REPLACES	O.D.	I.D.	LENGTH
R307640	Kenworth K264-84	1 5/8" (Lg.) 3/4" (Sm.)	5/8"	1"

MOUNT
For Kenworth



MERITOR NO.	REPLACES	O.D.	I.D.	LENGTH
R307472	Kenworth 814-00	3 1/64" (Lg.) 1 13/16" (Sm.)	21/32"	1 3/16"

SHOCK BUSHING
For Kenworth



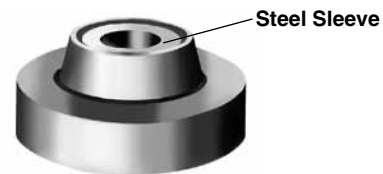
MERITOR NO.	REPLACES	O.D.	I.D.	LENGTH
R307474	Kenworth CA368-6	1 13/16"	5/8"	1 1/4"

AIR RIDE BUSHING
For Kenworth



MERITOR NO.	REPLACES	O.D.	I.D.	LENGTH
R307475	Kenworth K066-162	3 3/4" (Lg.) 2 3/4" (Sm.)	2"	2 3/8"

MOTOR MOUNT
For Mack



MERITOR NO.	REPLACES	O.D.	I.D.	LENGTH
R307477	Mack 20QL1175 20QL1118A	3 1/4" (Lg.) 2" (Sm.)	3/4"	1 1/2"
R307641	Mack 20QL324M	3 3/4" (Lg.) 2 1/4" (Sm.)	7/8"	1 7/8"

SPECIALTY POLYURETHANE COMPONENTS

Listed Alphabetically by O.E.M.



MERITOR NO.	REPLACES	O.D.	I.D.	LENGTH
R307478	Mack 10QK219P1	4 11/16"	3 7/16"	5 9/16"
R307479	Mack 10QK219P2 10QL276	4 11/16"	3 7/16"	6 5/16"
R307441	Mack 10QK130P1	4 7/16"	3 7/16"	8 3/8"



MERITOR NO.	REPLACES	O.D.	I.D.	LENGTH
R307482	Navistar 987395R2	1 5/8"	3/4"	3/16"



MERITOR NO.	REPLACES	O.D.	I.D.	THICKNESS
R307643	Navistar 200106R1	1 1/2" (Lg.) 7/8" (Sm.)	5/8"	3/4"



MERITOR NO.	REPLACES	O.D.	I.D.	LENGTH
R307644	Navistar 270203C1	1 1/3" (Lg.) 7/8" (Sm.)	1/2"	3/4"



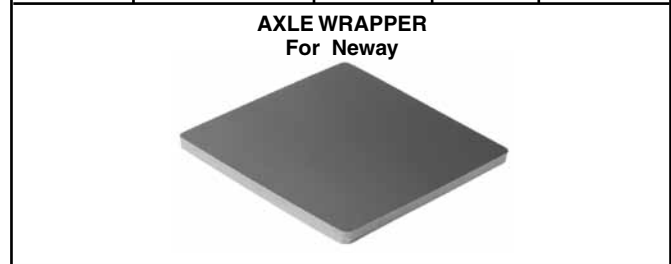
MERITOR NO.	REPLACES MACK	WIDTH	LENGTH	HEIGHT	PIN DIA.
R307480	10QK36B 10QK388	6"	6"	3 3/4"	1 3/4"
R307481	10QK365A	4 1/2"	6"	2 1/2"	1 3/4"
R308667	10QK370	4 1/2"	6"	3"	1 3/4"



MERITOR NO.	REPLACES	O.D.	LENGTH	THREAD SIZE
R307483	Navistar 472697C1	2 3/8" (Lg.) 1 3/4" (Sm.)	2 7/8"	5/16" - 18



MERITOR NO.	REPLACES	O.D.	I.D.	LENGTH
R307484	Navistar 753997C93	3" (Lg.) 2" (Sm.)	5/8"	2 1/4"



MERITOR NO.	REPLACES	WIDTH	LENGTH	THICKNESS
R308673	Neway 90028007	7 1/4"	7 1/4"	3/8"
R308678	Neway 90028047	8"	7 1/4"	1/2"
R308679	Neway 91028051	9"	5"	3/4"

SPECIALTY POLYURETHANE COMPONENTS

Listed Alphabetically by O.E.M.

AXLE PAD
For Neway



MERITOR NO.	REPLACES	LENGTH	WIDTH	THICKNESS
R308674	Neway 90028007	7"	5 5/8"	3/8"
R308680	Neway 90028075	7 1/16"	5 5/8"	7/16"

BEAM END BUSHING
For Neway



MERITOR NO.	REPLACES	O.D.	I.D.	LENGTH
R307444	Neway	2 3/4"	1 1/8"	5"

BEAM PIVOT BUSHING
For Neway



MERITOR NO.	REPLACES	O.D.	I.D.	LENGTH
R307485	Neway 90008131	2 3/8"	1 1/8"	5"

BEAM END BUSHING
For Neway



MERITOR NO.	REPLACES	O.D.	I.D.	LENGTH
R308677	Neway 90008002	2 3/8"	1 1/4"	5"

BEAM BUSHING
For Neway



MERITOR NO.	REPLACES	O.D.		I.D.	LENGTH
		Sm.	Lg.		
R308681	Neway 90008008	3 7/8"	2 1/2"	5 3/4"	

BEAM BUSHING
For Neway



MERITOR NO.	REPLACES	O.D.		I.D.		LGTH.
		Sm.	Lg.	Sm.	Lg.	
R308682	Neway 90008113	2 25/32"	3 9/32"	2 13/16"	3 15/16"	2 1/8"

BEAM END BUSHING
For Neway



MERITOR NO.	REPLACES	O.D.	I.D.	LENGTH
R308683	Neway 90008139	3 1/2"	1 1/8"	5 1/4"

SHOCK ABSORBER BUSHING
For Neway



MERITOR NO.	REPLACES	O.D.		I.D.	LENGTH
		Sm.	Lg.		
R308684	Neway 90508004	1 1/4"	1 17/32"	3/4"	15/16"

SPECIALTY POLYURETHANE COMPONENTS

Listed Alphabetically by O.E.M.



MERITOR NO.	REPLACES	O.D.	I.D.	LENGTH
R307442	Neway 91008040	4 1/2"	3 1/2"	3 1/2"
R307443	Neway 90008011			5 3/4"
R308672	Neway 91008014	5"	4"	5 3/4"



MERITOR NO.	REPLACES	LENGTH	WIDTH	THICKNESS
R308669	Neway 91028013	5 1/8"	4 5/8"	5/8"
R308670	Neway 91028089	5 1/4"	4 5/8"	13/16"
R308671	Neway 91028023	5 7/16"	1 5/8"	11/16"



MERITOR NO.	REPLACES PAGE	O.D.	I.D.	LENGTH
R307487	—	4 1/4"	3 1/4"	4"
R307488	X1004782	4 1/2"	3 1/2"	4"
R307489	X1004785	4 1/2"	3 1/2"	8 3/4"
R307491	X1003544	4 13/16"	3 7/8"	4 11/16"
R307492	X1006731	5"	4"	4 11/16"
R307493	X1003546	5 1/2"	4 1/2"	4 7/8"



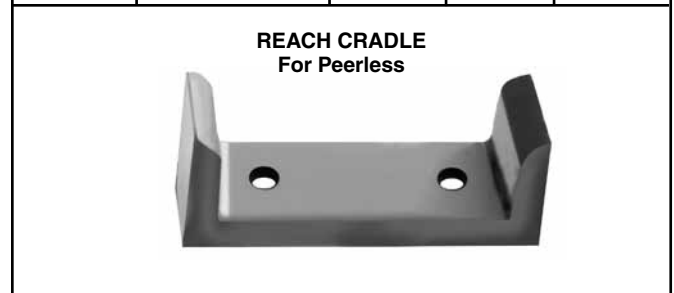
MERITOR NO.	REPLACES	O.D.	I.D.	LENGTH
R307486 (Poly)	Neway 91008022	5"	4"	8 3/4"



MERITOR NO.	REPLACES	O.D.	I.D.	LENGTH
R308676	Neway 91008007	2 3/8"	1 1/4"	2 1/2"



MERITOR NO.	REPLACES	O.D.	I.D.	LENGTH
R307449	Peerless 36-500	5"	4"	10 3/8"



MERITOR NO.	REPLACES	WIDTH	LENGTH	HEIGHT
R307497	Peerless 31-20623	4"	11 5/8"	4 1/2"

2

SPECIALTY POLYURETHANE COMPONENTS

Listed Alphabetically by O.E.M.

TRUNNION BUSHING
For Peerless



MERITOR NO.	REPLACES	O.D.	I.D.	LENGTH
R307434	Peerless 36-10	4 15/16"	4"	7 7/8"

TRAILING ARM BUSHING
For Peerless



MERITOR NO.	REPLACES	O.D.	I.D.	LENGTH
R307499	Peerless 36-15	4 1/2"	3 1/2"	10 1/2"

SPRING END PAD
For Peerless



MERITOR NO.	REPLACES	WIDTH	LENGTH	THICKNESS
R307501	Peerless 31-12	4 1/2"	6 1/4"	5/8"

HOOD PIN
For Peterbilt



MERITOR NO.	REPLACES	O.A.L.	THREAD SIZE	THREAD LENGTH
R307504	Peterbilt 13-01840	6 35/64"	5/8"-18	3 7/8"

WALKING BEAM BUSHING
For Peerless



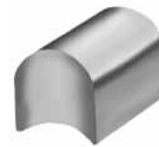
MERITOR NO.	REPLACES	O.D.	I.D.	LENGTH
R307498	Peerless 36-22	4 1/2"	3 1/2"	7 1/2"

PIVOT ARM BUSHING
For Peerless



MERITOR NO.	REPLACES	O.D.	I.D.	LENGTH
R307500	Peerless	3 1/2"	2 1/2"	7"

HOOD HINGE BUSHING
For Peterbilt



MERITOR NO.	REPLACES	WIDTH	LENGTH	HEIGHT
R307502	Peterbilt 13-03318	1 3/8"	1 13/16"	1 1/4"

2

SPECIALTY POLYURETHANE COMPONENTS

Listed Alphabetically by O.E.M.



MERITOR NO.	REPLACES	O.D.		LENGTH
		Sm.	Lg.	
R307503	Peterbilt 13-03440	1 3/8"	5/8"	1 5/8"



MERITOR NO.	REPLACES	O.D.		LENGTH
		Sm.	Lg.	
R307506	Peterbilt 05-08968	2 1/2" (Lg.) 1 5/8" (Sm.)	5/8"	2"



MERITOR NO.	REPLACES	O.D.		LENGTH
		Sm.	Lg.	
R307462	Peterbilt 05-14794	3" (Lg.) 1 7/8" (Sm.)	5/8"	2 1/2"



MERITOR NO.	REPLACES	O.D.		LENGTH
		Sm.	Lg.	
R307507	Peterbilt 05-10197	2 7/8" (Lg.) 1 5/8" (Sm.)	1 3/16"	2 1/2"



MERITOR NO.	REPLACES	O.D.		I.D.		LGTH.
		Sm.	Lg.	Sm.	Lg.	
R308919	Peterbilt 20-08257	2 9/32"	3"	5/8"	1 1/2"	1 7/16"



MERITOR NO.	REPLACES	O.D.	I.D.	LENGTH



MERITOR NO.	REPLACES	O.D.		LENGTH
		Sm.	Lg.	
R307469	Peterbilt 05-08969	3 13/16" (Lg.) 2 1/16" (Sm.)	3/4"	2 19/32"



MERITOR NO.	REPLACES	O.D.		LENGTH
		Sm.	Lg.	
R307472	Peterbilt 07-03286	3" (Lg.) 1 13/16" (Sm.)	21/32"	1 3/16"

2

SPECIALTY POLYURETHANE COMPONENTS

Listed Alphabetically by O.E.M.

2



RADIATOR MOUNT
For Peterbilt

MERITOR NO.	REPLACES	O.D.	I.D.	LENGTH
R307448	Peterbilt 13-01633	1" (Lg.) 13/16" (Sm.)	3/8"	15/16"



RADIATOR SHOCK BUSHING
For Peterbilt

MERITOR NO.	REPLACES	O.D.	I.D.	LENGTH
R307508	Peterbilt 07-02552	1 3/16"	5/8"	11/16"



AIR RIDE BUSHING
For Peterbilt

MERITOR NO.	REPLACES	O.D.	I.D.	LENGTH
R307509	Peterbilt 03-01674	2 1/2"	1 3/4"	2 3/4"



EQUALIZER BUSHING
For Peterbilt

MERITOR NO.	REPLACES	O.D.	I.D.	LENGTH
R307510	Peterbilt 03-02099	3 1/8"	2 1/2"	2 1/4"



BUSHING
For Premier

MERITOR NO.	REPLACES PREMIER	O.D.	I.D.	LENGTH
R307515	344-A	3 1/2"	1 5/8"	4 1/2"
R307516	448-A	3 1/2"	2"	1 7/8"
R307517	348-A	3 1/2"	2"	3 1/2"
R307518	437-A	4 1/4"	2"	4 1/2"



EYE BUSHING
For Premier

MERITOR NO.	REPLACES	O.D.	I.D.	LENGTH
R307645	Premier P-205	4 3/4"	2"	5 1/4"



TORQUE ARM BUSHING
For Reyco 101A

MERITOR NO.	REPLACES	O.D.	I.D.	LENGTH
R307520	Reyco 09729-01	1 29/32"	7/8"	3"

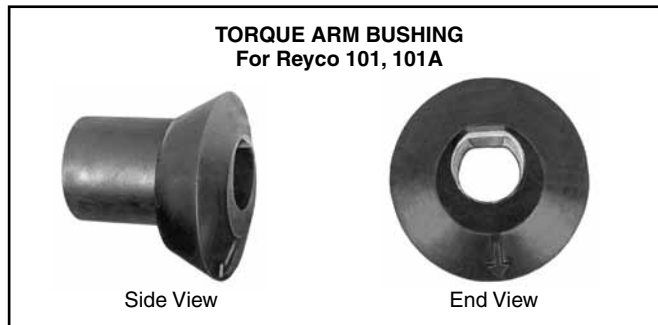


EQUALIZER BUSHING
For Reyco 101 (Ford)

MERITOR NO.	REPLACES	O.D.	I.D.	LENGTH
R308654	Reyco 14713-01	3 1/8"	1 1/2"	4 1/2"

SPECIALTY POLYURETHANE COMPONENTS

Listed Alphabetically by O.E.M.



MERITOR NO.	REPLACES	O.D.		LENGTH
		Sm.	Lg.	
R308689	Reyco T1723	1 13/16"	3 1/16"	2 7/8"



MERITOR NO.	REPLACES	O.D.		I.D.	LENGTH
		Sm.	Lg.		
R307522	Reyco T-2242	1 3/4"	2 3/8"	1"	2 11/16"



MERITOR NO.	REPLACES	O.D.	I.D.	LENGTH



MERITOR NO.	REPLACES	O.D.		I.D.	LENGTH
		Sm.	Lg.		
R307523	Reyco T-5493	1 13/16"	2 3/8"	1"	3"



MERITOR NO.	REPLACES	O.D.		I.D.	LENGTH
		Sm.	Lg.		
R309579	Reyco 102 & 102 AR	1 13/16"	3 5/32"	1"	2 3/4"



MERITOR NO.	REPLACES	O.D.		I.D.	LENGTH
		Sm.	Lg.		
R308653	Reyco T-5524	2 3/4"	3 3/8"	1 5/8"	4 13/32"



MERITOR NO.	REPLACES	O.D.	I.D.	LENGTH

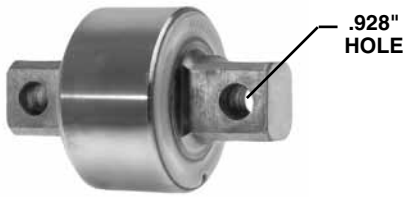


MERITOR NO.	O.D.	I.D.	LENGTH

SPECIALTY POLYURETHANE COMPONENTS

Listed Alphabetically by O.E.M.

TORQUE ARM BUSHING
For Meritor



MERITOR NO.	O.D.	LENGTH Center-to-Center
R308655	4 1/8"	5 1/4"

TORQUE ARM BUSHING
For Meritor



MERITOR NO.	O.D.	LENGTH Center-to-Center
R309508	3 5/8"	4 3/8"

EYE BUSHING
For Silver Eagle



MERITOR NO.	REPLACES	O.D.	I.D.	LENGTH
R307524	Silver Eagle R-205	4 3/4"	2 1/2"	5 3/16"

HINGE BUSHING
For Silver Eagle



MERITOR NO.	REPLACES	O.D.	I.D.	THICKNESS
R307525	Silver Eagle R-213	3 3/4"	2 1/2"	2 3/16"

SPRING END BUSHINGS
For Silver Eagle
Sold only as a Pair



MERITOR NO.	REPLACES	O.D.	I.D.	LENGTH
R307526	Silver Eagle G-34/G-35	5"	1"	5 1/2"

MOTOR MOUNT
For Volvo



MERITOR NO.	REPLACES	O.D.	I.D.	LENGTH
R308918	Volvo 12004-0007	3"	1 1/2"	3"

HINGE BUSHING
For Utility Trailer



MERITOR NO.	REPLACES	WIDTH	LENGTH	HEIGHT	HOLE DIA.
R307527	Utility Trailer 3-1306	3"	2 7/8"	3"	1 7/8"

SPECIALTY POLYURETHANE COMPONENTS

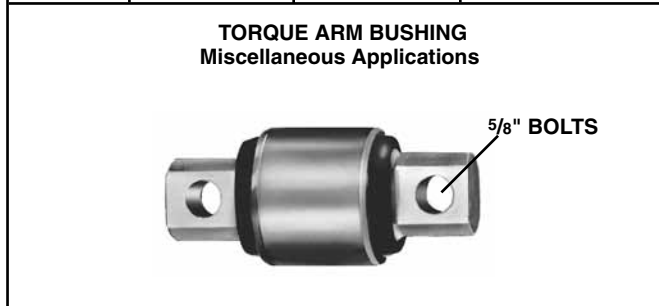
Listed Alphabetically by O.E.M.



MERITOR NO.	REPLACES	O.D.	I.D.	LENGTH
R309506	Volvo 66108-0006, A80BL0024	2 1/8"	1 1/8"	2 13/16"



MERITOR NO.	O.D.	I.D.	LENGTH
R307528	1 7/16"	3/4"	7/8"
R307529	1 7/8"	1"	1"



MERITOR NO.	REPLACES	O.D.	LENGTH Center-to-Center
R307638	Clevite 227710	2 17/32"	4 3/8"
R307639	Clevite 227720	2 3/4"	4 3/8"



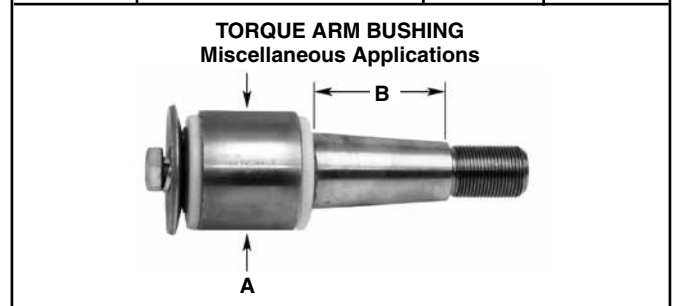
MERITOR NO.	SMALL O.D.	LARGE O.D.	O.A.L.
R309510	3 1/2"	4 3/4"	12"



MERITOR NO.	REPLACES	LENGTH	WIDTH	HEIGHT
R309507	Volvo 66206-0002, A80BL0025	2 1/4"	2"	3"



MERITOR NO.	REPLACES	I.D.	LENGTH
R308656	Western Unit 102308	1 7/8"	3"



MERITOR NO.	REPLACES	A	THREAD	B
R308651	Gould 229610	2 3/4"	1 1/4"-12	3"
R309518	—	2 3/4"	1 1/4"-12	1 7/8"



MERITOR NO.	O.D.	I.D.	LENGTH
R309512A	4 3/8"	2 1/2"	5 3/4"

2

SPECIALTY POLYURETHANE COMPONENTS

Listed Alphabetically by O.E.M.

LOAD CUSHION Miscellaneous Applications



MERITOR NO.	HEIGHT	WIDTH	LENGTH
R309513	4"	6 3/4"	12"

LOAD CUSHION Miscellaneous Applications



MERITOR NO.	LARGE O.D.	HEIGHT
R309514	7 7/8"	3 13/16"

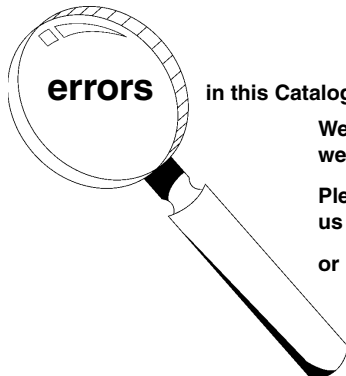
VERTICAL DRIVE BUSHING Miscellaneous Applications



MERITOR NO.	O.D.	I.D.	LENGTH
R309515	4 1/8"	2"	4"

2

If you detect any **errors** in this Catalog, please let us know.



We want the information to be as accurate as possible; we appreciate your help in making it so.

Please e-mail any comments/suggestions/corrections to us at: catalogfeedback@arvinmeritor.com

or mail to:

ArvinMeritor, Inc.
Attn: Catalog Dept.
7975 Dixie Highway
Florence, KY 41042-2754

MERITOR RUBBER TO POLYURETHANE SUSPENSION COMPONENTS INTERCHANGE

N/A = No Longer Available

MERITOR NO.		DESCRIPTION	MANUFACTURER
RUBBER	POLYURETHANE		
N/A	N/A	TORQUE ARM BUSHING	REYCO
R30813	R308691	EQUALIZER BUSHING	REYCO
R30927	R307433	TORQUE ARM BUSHING	FRUEHAUF
R30934	R307453	TORQUE ARM BUSHING	HUTCHENS, TRAILMOBILE
R301020	R307432	EQUALIZER BUSHING	FRUEHAUF
R301023	R30962	TORQUE ARM BUSHING ASSEMBLY	FRUEHAUF
R301024	R30961	EQUALIZER BUSHING ASSEMBLY	FRUEHAUF
R301038	N/A	TORQUE ARM BUSHING	HUTCHENS
R301072	R308688	EQUALIZER BUSHING	REYCO
R301075	N/A	TORQUE ARM BUSHING ASSEMBLY	HUTCHENS
R301159	R308653	EQUALIZER BUSHING	REYCO
R301160	R307523	TORQUE ARM BUSHING	REYCO
N/A	R309545	TORQUE ARM BUSHING ASSEMBLY	REYCO
R301330	R308670	SPRING END PAD	NEWAY
R301331	R308671	SPRING END PAD	NEWAY
R301332	R307486	TRUNNION BUSHING	NEWAY
R301333	R308672	TRUNNION BUSHING	NEWAY
R301334	R307442	TRUNNION BUSHING	FRUEHAUF, NEWAY
R301338	—	BEAM CENTER BUSHING	MISCELLANEOUS APPLICATION
R301339	R309510	BEAM CENTER BUSHING	MISCELLANEOUS APPLICATION
R301340	—	BEAM END BUSHING	MISCELLANEOUS APPLICATION
R301341A	N/A	BEAM END BUSHING	MISCELLANEOUS APPLICATION
R301940	R309515	VERTICAL DRIVE BUSHING	MISCELLANEOUS APPLICATION
R301960	R309513	LOAD CUSHION	MISCELLANEOUS APPLICATION
R301963	R309548	TORQUE ARM BUSHING ASSEMBLY	REYCO
R301964	R308689	TORQUE ARM BUSHING	REYCO
R301980	R307520	TORQUE ARM BUSHING	DAYTON,REYCO/TRANSPRO,SPICER,HENDRICKSON
R301981	R309552	TORQUE ARM BUSHING ASSEMBLY	REYCO
R301982	R307522	TORQUE ARM BUSHING	REYCO, SPICER
R301999A	R307452	EQUALIZER BUSHING	HUTCHENS
R302003	R309474	EQUALIZER BUSHING ASSEMBLY	HUTCHENS
R302009	R308673	AXLE WRAPPER	NEWAY
R302010	R308674	AXLE PAD	NEWAY
R302225	R307638	TORQUE ROD BUSHING	CLEVITE
R302226	R307639	TORQUE ROD BUSHING	CLEVITE
R302228	R308651	TORQUE ARM BUSHING	CLEVITE
R302232	R309514	LOAD CUSHION	MISCELLANEOUS APPLICATION
R302815	R309518	TORQUE ARM BUSHING	MISCELLANEOUS APPLICATION
R302917	R307481	INSULATOR PAD	MACK
N/A	N/A	INSULATOR PAD	MACK
R302919	R308667	INSULATOR PAD	MACK
R302920	R307480	INSULATOR PAD	MACK
R302921A	R307478	TRUNNION BUSHING	MACK
R302924A	R307441	TRUNNION BUSHING	MACK
R302935	R307443	TRUNNION BUSHING	NEWAY
R302938	N/A	BEAM END BUSHING	NEWAY
R302939	R308676	TORQUE ARM BUSHING	NEWAY
R302940	R308677	BEAM END BUSHING	NEWAY

2

MERITOR RUBBER TO POLYURETHANE SUSPENSION COMPONENTS INTERCHANGE

MERITOR NO.		DESCRIPTION	MANUFACTURER
RUBBER	POLYURETHANE		
R302943	R308678	AXLE WRAPPER	NEWAY
R302945	R308679	AXLE WRAPPER	NEWAY
R302947A	R308680	AXLE PAD	NEWAY
R303079	R309486	EQUALIZER BUSHING ASSEMBLY	HUTCHENS
R303086	N/A	TORQUE ARM BUSHING	DAYTON, NAVISTAR
R302922A	R307479	TRUNNION BUSHING	MACK
R303394A	N/A	EQUALIZER BUSHING	TRAILMOBILE
R303579	R308663	TRUNNION BUSHING	FRUEHAUF
R303582	R308664	SPRING END PAD	FRUEHAUF
R303976	R309555	EQUALIZER BUSHING ASSEMBLY	REYCO
R303977	R308654	EQUALIZER BUSHING	REYCO
R304253	R308681	BEAM BUSHING	NEWAY
R304255	R307485	BEAM PIVOT BUSHING	NEWAY
R304257	R308682	BEAM BUSHING	NEWAY
R304382A	R308683	BEAM END BUSHING	NEWAY
R304403	R308684	SHOCK ABSORBER BUSHING	NEWAY
R304410A	R307444	BEAM END BUSHING	NEWAY
R304669	R307446A	AIR RIDE BUSHING	KENWORTH
R304677A	R307427	TORQUE ROD BUSHING	CHALMERS
R304745	R307510	EQUALIZER BUSHING	PETERBILT
R304775	R307509	AIR RIDE BUSHING	PETERBILT
R304834A	R309551	TORQUE ARM BUSHING ASSEMBLY	REYCO/TRANSPRO
R305216	R307455	TRUNNION BUSHING	HUTCHENS
R305227	R308665	SPRING END PAD	HUTCHENS
R305275	—	TORQUE ARM BUSHING	MISCELLANEOUS APPLICATION
R307532	R309567	EQUALIZER BUSHING ASSEMBLY	HUTCHENS
R307621	R308666	EQUALIZER BUSHING	HUTCHENS
R307766	R307426	TORQUE ROD BUSHING	CHALMERS
R307767	R308917	TORQUE ROD BUSHING	CHALMERS
R309321	R308655	TORQUE ARM BUSHING	MERITOR, ROCKWELL, KENWORTH "BIG 6"
N/A	R307447	SPRING EYE BUSHING	CAMBRIA
R309350	R309583	TORQUE ARM BUSHING ASSEMBLY	REYCO
R309472	R309473	EQUALIZER BUSHING ASSEMBLY	HUTCHENS
R309478	R309479	TORQUE ARM BUSHING ASSEMBLY	HUTCHENS
R30401011	R307528	SHOCK ABSORBER BUSHING	GABRIEL
R30401754	R307529	SHOCK ABSORBER BUSHING	GABRIEL
—	R307445	FIFTH WHEEL BUSHING	FONTAINE
—	R307448	RADIATOR MOUNT	PETERBILT
—	R307449	TRUNNION BUSHING	PEERLESS
—	R309506	CAB TILT BUSHING	VOLVO
—	R309507	CAB LATCH INSULATOR	VOLVO
—	R309508	TORQUE ARM BUSHING	MERITOR, ROCKWELL

N/A = No Longer Available

SUSPENSION SERVICE TOOLS

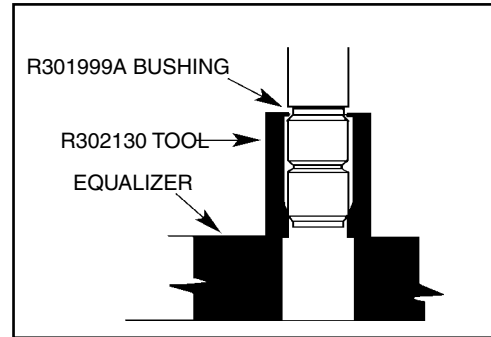
TOOL FOR INSTALLING HUTCHENS, TRAILMOBILE AND TRANSPRO EQUALIZER BUSHINGS



3 3/4" O.D. x 3 3/8"
I.D. x 3 1/2" Long

MERITOR R302130

Tool automatically centers bushing for perfect alignment and ease of installation. Use to install R301999A, R303394A, R304827 and R307621 Bushings.



TORQUE ARM BUSHING INSTALLATION TOOL



MERITOR R301600

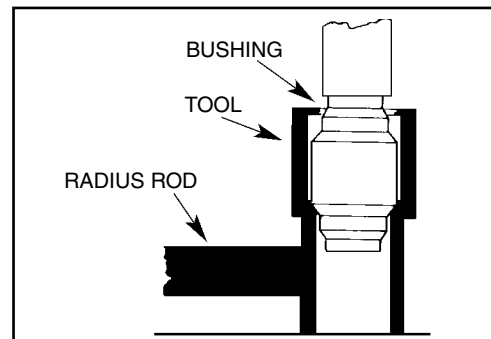
For Hutchens Torque Arms

Use to install
R30934 Bushing
in original equipment
Hutchens Torque Arms

2 1/2" O.D. x 1 5/16" I.D. x
2 1/2" Long

MERITOR R302652 For Meritor Torque Arms

Tool for installing R30934, R301980 and R301061 Torque Arm Bushings in Meritor Torque Arms. Tapered Counter Bore automatically centers bushing for perfect alignment and compression.



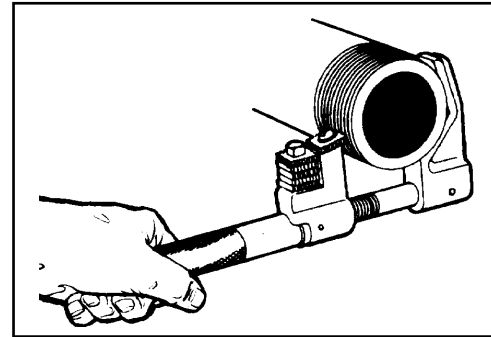
UNIVERSAL OUTSIDE THREAD CHASER



MERITOR R302644

Restores threads to their original condition. Eliminates the need for expensive thread cutting equipment. OPERATION: Tighten the tool slightly on the good threads, then back off over the damaged thread area to restore the threads. The aluminum alloy V Pad will not damage the threads. Capacity from 1 1/4" to 5" O.D.

Complete with 6 dies — Threads per inch 4, 5, 6, 7, 7 1/2, 8, 9, 10, 11, 11 1/2, 12, 14, 16, 18, 20 and 24.



HENDRICKSON BEAM END BUSHING INSTALLATION TOOL




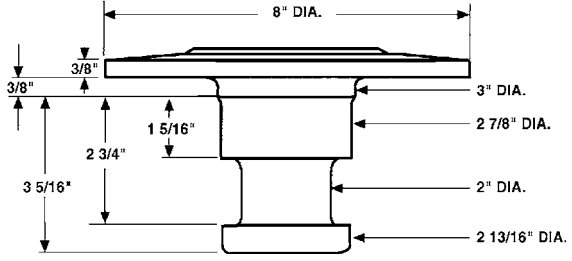
MERITOR R309575

For Tri-Functional
Bushings used in
Hendrickson T, HT,
Intraax and HLM
Suspensions

Replaces
Hendrickson
S-21307

R30700 TRAILER KING PIN

KING PIN

MERITOR NO.	REPLACES
R30700	VARIOUS APPLICATIONS WITH WELD-ON KING PINS. 8" FLANGE DIAMETER.


KING PIN LOCK



MERITOR NO.	REPLACES
R30702A	FRUEHAUF MFAKPLOCK-900


FIFTH WHEEL PARTS

FIFTH WHEEL BUSHING AND PIVOT PIN ASSEMBLY




MERITOR NO.	REPLACES	QTY	MERITOR NO.	DESCRIPTION
R309569 (Polyurethane)	Holland	2	R307450 R309568	Bushing Pin

FIFTH WHEEL BUSHING For Holland



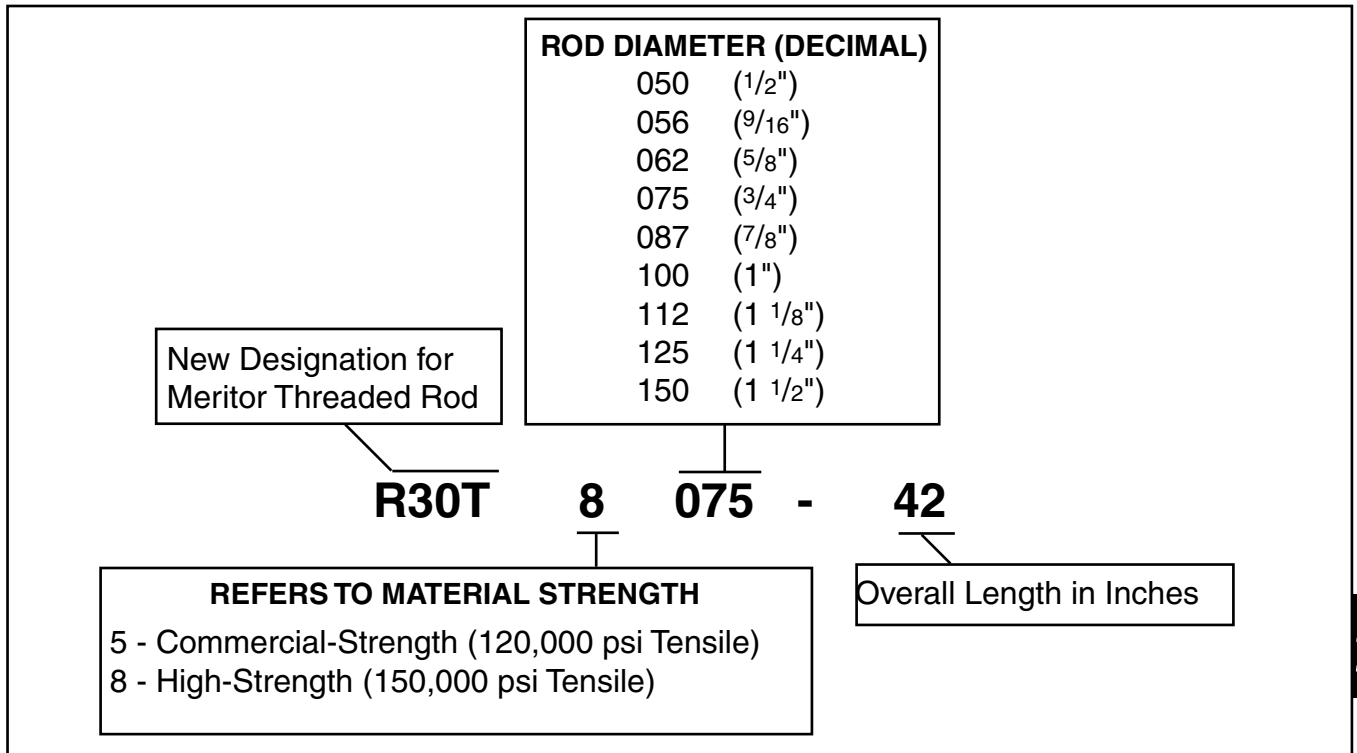
MERITOR NO.	REPLACES	O.D.	I.D.	LENGTH
R307451 (Polyurethane)	Holland 1604-5	2 3/4"	1 1/8"	4 1/4"
R308652 (Polyurethane)	Holland 1604-9	2 1/2"	1 1/2"	4 1/4"

FIFTH WHEEL BUSHING For Holland

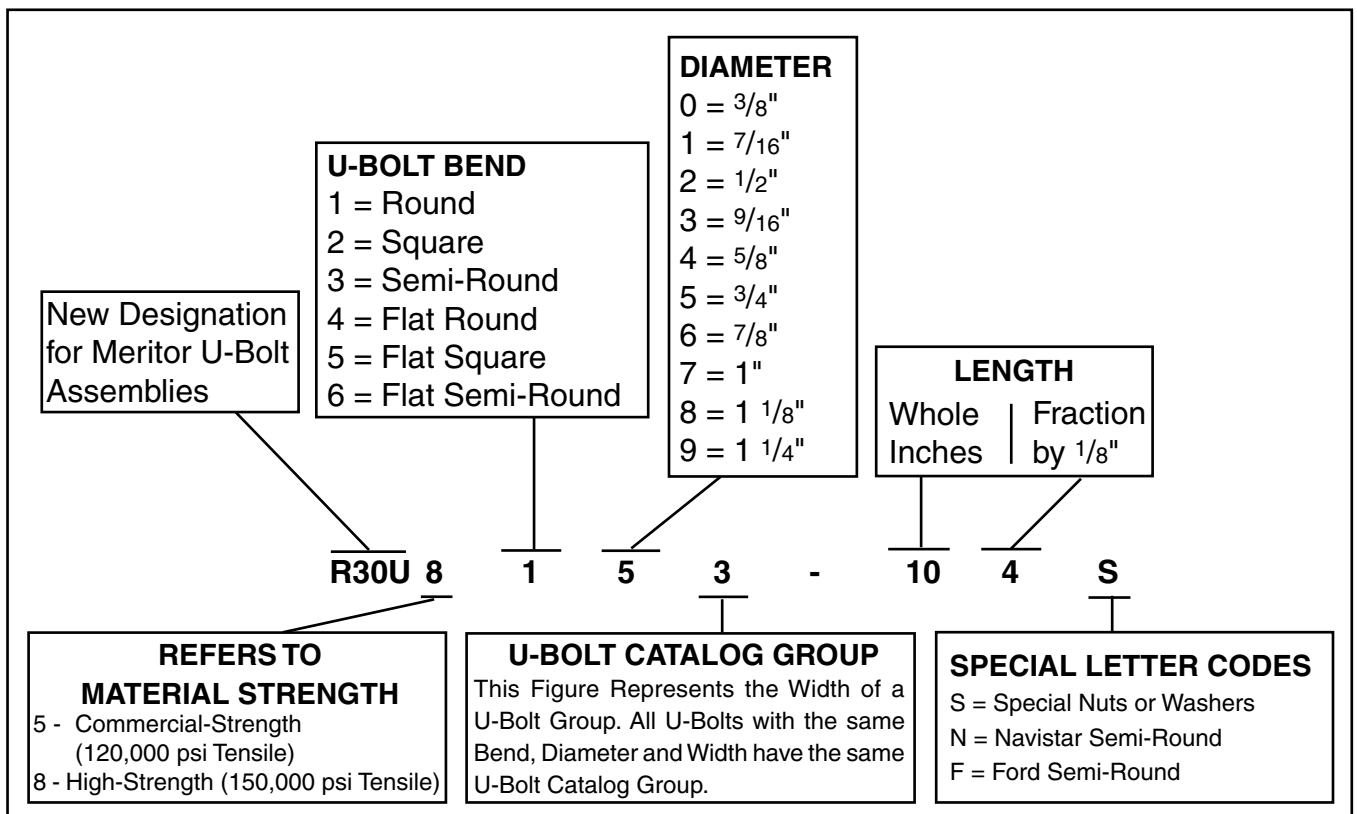


MERITOR NO.	REPLACES	O.D.	I.D.	LENGTH
R307450 (Polyurethane)	Holland XB-0011-2	2 1/4"	1 1/8"	4 1/4"
R308927 (Polyurethane)	Holland XB-0012-2	2 1/4"	1 7/16"	4 1/4"

NEW MERITOR THREADED ROD PART NUMBER DESIGNATION



NEW MERITOR U-BOLT ASSEMBLIES PART NUMBER DESIGNATION



NOTE: Commercial-Strength and High-Strength have often been referred to as Grade 5 (120,000 psi tensile strength) and Grade 8 (150,000 psi tensile strength) respectively. These designations do not define manufacturing processes.

MERITOR THREADED ROD



MERITOR COMMERCIAL-STRENGTH THREADED ROD

TOTAL LENGTH	THREAD LENGTH (Nominal)	THREAD SIZE		TO DETERMINE REQUIRED THREADED ROD:
		1/2" - 20	9/16" - 18	
8"	2 1/4"	R30T5050-08	R30T5056-08	1. Multiply U-Bolt Leg Length x 2 2. Add U-Bolt Width 3. a. If Round Bend, subtract B-Bolt diameter b. If Square Bend, add U-Bolt diameter c. If Semi-Round Bend, disregard U-Bolt diameter 4. If length is an odd size, use the next longer length rod. <i>Example: For a 7/8" Diameter, 18" Long, 3 1/2" Wide Round Bend U-Bolt, the correct length rod is:</i> <div style="text-align: right; margin-right: 100px;"> 36" (18" Long x 2) Plus + 3.5" (3 1/2" Wide) Minus - 0.875" (Subtract 7/8" Dia., Round Bend) Rod Length = 38.625" USE ROD LENGTH 40" (38.625" Rounded up to the next length.) </div>
10"	2 1/4"	R30T5050-10	R30T5056-10	
12"	2 1/4"	R30T5050-12	R30T5056-12	
14"	3 1/4"	R30T5050-14	R30T5056-14	
16"	3 1/4"	R30T5050-16	R30T5056-16	
18"	3 1/4"	R30T5050-18	R30T5056-18	
20"	3 1/4"	R30T5050-20	R30T5056-20	
22"	3 1/4"	R30T5050-22	R30T5056-22	
24"	4"	R30T5050-24	R30T5056-24	
26"	4"	R30T5050-26	R30T5056-26	
28"	4"	R30T5050-28	R30T5056-28	
30"	4"	R30T5050-30	R30T5056-30	
32"	4"	R30T5050-32	R30T5056-32	
34"	4"	R30T5050-34	R30T5056-34	
36"	4"	R30T5050-36	R30T5056-36	
38"	4"	—	R30T5056-38	
40"	4"	—	R30T5056-40	
42"	4"	—	R30T5056-42	
44"	4"	—	—	
46"	4"	—	—	
48"	4"	—	—	

2

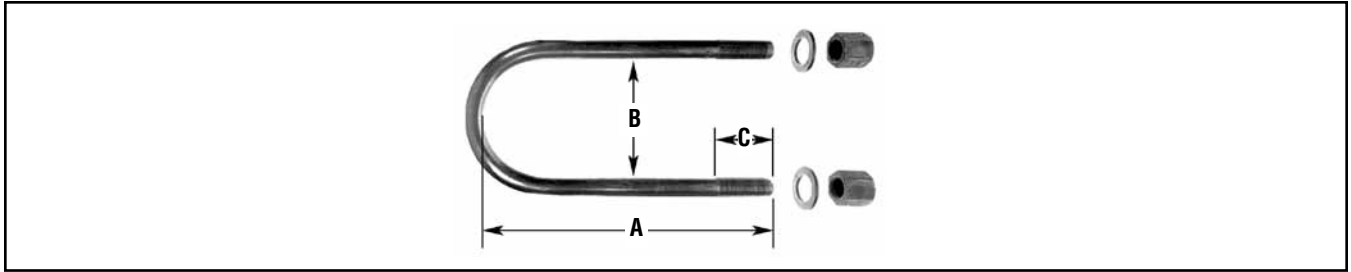
MERITOR HIGH-STRENGTH THREADED ROD

TOTAL LENGTH	THREAD LENGTH (Nominal)	THREAD SIZE					
		5/8" - 18	3/4" - 16	7/8" - 14	1"-14	1 1/8" - 12	1 1/4" - 12
12"	2 1/4"	R30T8062-12	R30T8075-12	—	—	—	—
14"	3 1/4"	R30T8062-14	R30T8075-14	—	—	—	—
16"	3 1/4"	R30T8062-16	R30T8075-16	—	R30T8100-16	—	—
18"	3 1/4"	R30T8062-18	R30T8075-18	R30T8087-18	—	—	—
20"	3 1/4"	R30T8062-20	R30T8075-20	R30T8087-20	R30T8100-20	—	—
22"	3 1/4"	R30T8062-22	R30T8075-22	R30T8087-22	—	—	—
24"	6"	R30T8062-24	R30T8075-24	R30T8087-24	R30T8100-24	—	—
26"	6"	R30T8062-26	R30T8075-26	R30T8087-26	—	—	—
28"	6"	R30T8062-28	R30T8075-28	R30T8087-28	R30T8100-28	—	—
30"	6"	R30T8062-30	R30T8075-30	R30T8087-30	—	R30T8112-30	R30T8125-30
32"	6"	R30T8062-32	R30T8075-32	R30T8087-32	R30T8100-32	R30T8112-32	R30T8125-32
34"	6"	R30T8062-34	R30T8075-34	R30T8087-34	—	R30T8112-34	R30T8125-34
36"	6"	R30T8062-36	R30T8075-36	R30T8087-36	R30T8100-36	R30T8112-36	R30T8125-36
38"	6"	R30T8062-38	R30T8075-38	R30T8087-38	—	R30T8112-38	R30T8125-38
40"	6"	R30T8062-40	R30T8075-40	R30T8087-40	R30T8100-40	—	—
42"	6"	R30T8062-42	R30T8075-42	R30T8087-42	—	—	—
44"	6"	R30T8062-44	R30T8075-44	R30T8087-44	R30T8100-44	—	—
46"	6"	R30T8062-46	R30T8075-46	R30T8087-46	—	—	—
48"	6"	R30T8062-48	R30T8075-48	R30T8087-48	R30T8100-48	—	—
50"	6"	—	R30T8075-50	R30T8087-50	—	—	—
52"	6"	—	R30T8075-52	R30T8087-52	—	—	—

NOTE: Commercial-Strength and High-Strength have often been referred to as Grade 5 (120,000 psi tensile strength) and Grade 8 (150,000 psi tensile strength) respectively. These designations do not define manufacturing processes.

U-BOLT ASSEMBLIES

Includes Nuts and Washers



MERITOR HIGH-STRENGTH ROUND BEND U-BOLT ASSEMBLIES

MERITOR NO.	THREAD SIZE	A	B	C	INCLUDES		SPECIAL APPLICATION
					NUT	WASHER	
R30U8142-06	5/8"-18	6"	3 1/8"	2"	R303000	R302547	Volvo T-Ride
R30U8143-074	5/8"-18	7 1/2"	3 1/2"	3"	R303000	R302547	Freightliner
R30U8145-076	5/8"-18	7 3/4"	5"	3 1/2"	R303000	R302547	Neway
R30U8151-10	3/4"-16	10"	3"	3"	R303001	R302545	
R30U8151-12	3/4"-16	12"	3"	3"	R303001	R302545	
R30U8151-14	3/4"-16	14"	3"	6"	R303001	R302545	
R30U8151-16	3/4"-16	16"	3"	6"	R303001	R302545	
R30U8151-18	3/4"-16	18"	3"	6"	R303001	R302545	
R30U8151-22	3/4"-16	22"	3"	6"	R303001	R302545	
R30U8153-10	3/4"-16	10"	3 1/2"	3"	R303001	R302545	
R30U8153-12	3/4"-16	12"	3 1/2"	3"	R303001	R302545	
R30U8153-14	3/4"-16	14"	3 1/2"	6"	R303001	R302545	
R30U8153-18	3/4"-16	18"	3 1/2"	6"	R303001	R302545	
R30U8154-10	3/4"-16	10"	4"	3"	R303001	R302545	Freightliner
R30U8154-12	3/4"-16	12"	4"	3"	R303001	R302545	
R30U8154-18	3/4"-16	18"	4"	6"	R303001	R302545	
R30U8155-073	3/4"-16	7 1/2"	5"	3"	R303001	R302545	Hutchens
R30U8155-12	3/4"-16	12"	5"	3"	R303001	R302545	
R30U8155-14	3/4"-16	14"	5"	6"	R303001	R302545	
R30U8155-16	3/4"-16	16"	5"	6"	R303001	R302545	
R30U8161-10	7/8"-14	10"	3"	3"	R303002A	R302546	Hutchens
R30U8161-11	7/8"-14	11"	3"	3"	R303002A	R302546	
R30U8161-12	7/8"-14	12"	3"	3"	R303002A	R302546	
R30U8161-122	7/8"-14	12 1/4"	3"	6"	R303002A	R302546	
R30U8161-13	7/8"-14	13"	3"	6"	R303002A	R302546	
R30U816114	7/8"-14	14"	3"	6"	R303002A	R302546	
R30U8161-15	7/8"-14	15"	3"	6"	R303002A	R302546	
R30U816116	7/8"-14	16"	3"	6"	R303002A	R302546	
R30U8161-17	7/8"-14	17"	3"	6"	R303002A	R302546	
R30U8161-18	7/8"-14	18"	3"	6"	R303002A	R302546	
R30U8161-18S1	7/8"-14	18"	3"	6"	R303002A	R301834/R303738 CONE WASHER	Hendrickson
R30U8161-20	7/8"-14	20"	3"	6"	R303002A	R302546	

NOTE: Commercial-Strength and High-Strength have often been referred to as Grade 5 (120,000 psi tensile strength) and Grade 8 (150,000 psi tensile strength) respectively. These designations do not define manufacturing processes.

U-BOLT ASSEMBLIES

Includes Nuts and Washers

MERITOR HIGH-STRENGTH ROUND BEND U-BOLT ASSEMBLIES (Cont'd.)

MERITOR NO.	THREAD SIZE	A	B	C	INCLUDES		SPECIAL APPLICATION
					NUT	WASHER	
R30U8161-22	7/8"-14	22"	3"	6"	R303002A	R302546	
R30U8162-18	7/8"-14	18"	3 1/8"	6"	R303002A	R302546	
R30U8162-22	7/8"-14	22"	3 1/8"	6"	R303002A	R302546	
R30U8163-14	7/8"-14	14"	3 1/2"	6"	R303002A	R302546	
R30U8163-16	7/8"-14	16"	3 1/2"	6"	R303002A	R302546	
R30U8164-10	7/8"-14	10"	4"	3"	R303002A	R302546	
R30U8164-12	7/8"-14	12"	4"	3"	R303002A	R302546	
R30U8164-16	7/8"-14	16"	4"	6"	R303002A	R302546	
R30U8164-18	7/8"-14	18"	4"	6"	R303002A	R302546	
R30U8165-076	7/8"-14	7 3/4"	5"	3"	R303002A	R302546	Hendrickson
R30U8165-10	7/8"-14	10"	5"	3"	R303002A	R302546	
R30U8165-12	7/8"-14	12"	5"	3"	R303002A	R302546	
R30U8165-13	7/8"-14	13"	5"	4"	R303002A	R302546	
R30U8165-14	7/8"-14	14"	5"	4"	R303002A	R302546	
R30U8165-16	7/8"-14	16"	5"	6"	R303002A	R302546	
R30U8165-18	7/8"-14	18"	5"	6"	R303002A	R302546	
R30U8166-12	7/8"-9	12"	5"	3"	R302983	R302546	Neway
R30U8168-082	7/8"-14	8 1/4"	6"	3 5/8"	R303002A	R302546	Hendrickson
R30U8175-104	1"-14	10 1/2"	5"	3 1/2"	R302892	—	Hutchens
R308178-126	1"-14	12 3/4"	5"	6"	R303003	N.S.S.	Neway
R30U8179-09	1"-14	9"	6 3/8"	3"	R303003	N.S.S.	Neway
R30U8186-154	1 1/8"-12	15 1/2"	5 3/4"	6"	R303004	R302548	
R30U8187154	1 1/8"-12	15 1/2"	5 7/8"	6"	R303004	R302548	Hutchens

NOTE: Commercial-Strength and High-Strength have often been referred to as Grade 5 (120,000 psi tensile strength) and Grade 8 (150,000 psi tensile strength) respectively. These designations do not define manufacturing processes.

S.O.S.

Special Order Service

Can't find it? Trouble sourcing products? Need assistance?

Let Meritor's Special Order Service (S.O.S.) help.

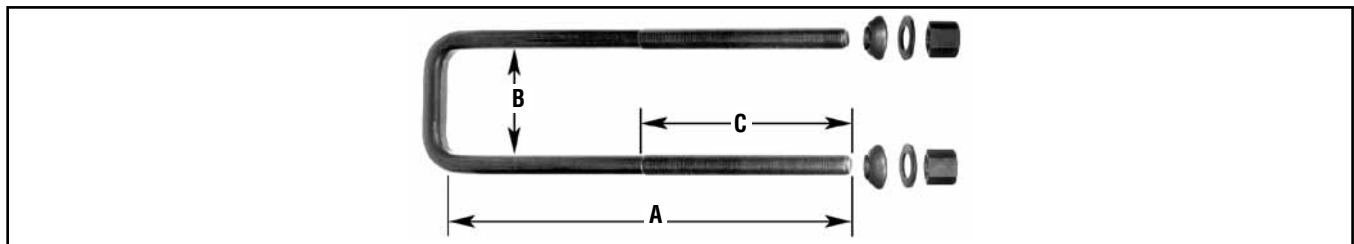
Meritor's position as the market leader provides you access to a comprehensive array of truck parts products from the industry's leading manufacturers. Through Meritor, these entire product lines are available to you just by placing a phone call to Meritor's S.O.S. Department.

U-BOLT ASSEMBLIES

Includes Nuts and Washers

MERITOR COMMERCIAL-STRENGTH ROUND BEND U-BOLT ASSEMBLIES

MERITOR NO.	THREAD SIZE	A	B	C	INCLUDES		SPECIAL APPLICATION
					NUT	WASHER	
R30U5161-12	7/8"-14	12"	3"	4"	R303002A	R302546	
R30U5161-13	7/8"-14	13"	3"	4"	R303002A	R302546	
R30U516114	7/8"-14	14"	3"	4"	R303002A	R302546	
R30U5161-15	7/8"-14	15"	3"	6"	R303002A	R302546	
R30U5161-16	7/8"-14	16"	3"	6"	R303002A	R302546	
R30U5161-18	7/8"-14	18"	3"	6"	R303002A	R302546	
R30U5161-22	7/8"-14	22"	3"	6"	R303002A	R302546	
R30U5163-14	7/8"-14	14"	3 1/2"	6"	R303002A	R302546	
R30U5163-18	7/8"-14	18"	3 1/2"	6"	R303002A	R302546	
R30U5165-12	7/8"-14	12"	5"	6"	R303002A	R302546	
R30U5165-14	7/8"-14	14"	5"	6"	R303002A	R302546	
R30U5165-15	7/8"-14	15"	5"	6"	R303002A	R302546	
R30U5165-16	7/8"-14	16"	5"	6"	R303002A	R302546	
R30U5165-18	7/8"-14	18"	5"	6"	R303002A	R302546	



MERITOR HIGH-STRENGTH SQUARE BEND U-BOLT ASSEMBLIES

MERITOR NO.	THREAD SIZE	A	B	C	INCLUDES		SPECIAL APPLICATION
					NUT	WASHER	
R30U8253-05	3/4"-16	5"	3 1/2"	2"	R303001	R302545	Peterbilt
R30U8253-12	3/4"-16	12"	3 1/2"	3"	R303001	R302545	
R30U8254-10	3/4"-16	10"	4"	3"	R303001	R302545	
R30U8254-12	3/4"-16	12"	4"	3"	R303001	R302545	
R30U8254-14	3/4"-16	14"	4"	6"	R303001	R302545	
R30U8255-05	3/4"-16	5"	4"	2"	R303001	R302545	Peterbilt
R30U8256-077	3/4"-16	7 7/8"	5"	3"	R303001	R302545	Hutchens
R30U8261-18	7/8"-14	18"	3"	6"	R303002A	R302546	
R30U8263-14	7/8"-14	14"	3 1/2"	6"	R303002A	R302546	
R30U8264-083	7/8"-14	8 3/8"	4"	2 1/4"	R301835	R301834	Hendrickson
R30U8264-10	7/8"-14	10"	4"	3"	R303002A	R302546	
R30U8264-12	7/8"-14	12"	4"	3"	R303002A	R302546	
R30U8264-14	7/8"-14	14"	4"	6"	R303002A	R302546	

U-BOLT ASSEMBLIES

Includes Nuts and Washers

MERITOR HIGH-STRENGTH SQUARE BEND U-BOLT ASSEMBLIES (Cont'd.)

MERITOR NO.	THREAD SIZE	A	B	C	INCLUDES		SPECIAL APPLICATION
					NUT	WASHER	
R30U8264-16	7/8"-14	16"	4"	6"	R303002A	R302546	Kenworth
N/A	7/8"-14	16"	4"	6"	R303002A	R302546	
R30U8265-084	7/8"-14	8 1/2"	5"	3 3/4"	R303002A	R302546	Hendrickson
R30U8265-16	7/8"-14	16"	5"	6"	R303002A	R302546	
R30U8267-153	7/8"-14	15 3/8"	5 3/16"	3 1/2"	R303002A	R302546	Freightliner
R30U8286-134	1 1/8"-12	13 1/2"	5 1/8"	4"	R303004	R302548	
R30U8286-154	1 1/8"-12	15 1/2"	5 1/8"	6"	R303004	R302548	
R30U8287-11	1 1/8"-12	11"	5 3/4"	3"	R303004	R302548	Neway
R30U8287-14	1 1/8"-12	14"	5 3/4"	6"	R303004	R302548	Neway

N/A = No Longer Available

2

MERITOR COMMERCIAL-STRENGTH SQUARE BEND U-BOLT ASSEMBLIES

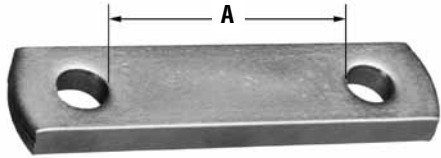
MERITOR NO.	THREAD SIZE	A	B	C	INCLUDES		SPECIAL APPLICATION
					NUT	WASHER	
R30U5243-16	5/8"-18	16"	3 1/2"	6"	R303000	R302547	Use U-Bolt Plate R309613
R30U5243-18	5/8"-18	18"	3 1/2"	6"	R303000	R302547	Use U-Bolt Plate R309613
R30U5243-20	5/8"-18	20"	3 1/2"	6"	R303000	R302547	Use U-Bolt Plate R309613
R30U5244-16	5/8"-18	16"	4"	6"	R303000	R302547	Use U-Bolt Plate R309614
R30U5244-18	5/8"-18	18"	4"	6"	R303000	R302547	Use U-Bolt Plate R309614
R30U5244-20	5/8"-18	20"	4"	6"	R303000	R302547	Use U-Bolt Plate R309614
R30U5261-18	7/8"-14	18"	3"	6"	R303002A	R302546	—
R30U5263-14	7/8"-14	14"	3 1/2"	6"	R303002A	R302546	—
R30U5263-18	7/8"-14	18"	3 1/2"	6"	R303002A	R302546	—

NOTE: Commercial-Strength and High-Strength have often been referred to as Grade 5 (120,000 psi tensile strength) and Grade 8 (150,000 psi tensile strength) respectively. These designations do not define manufacturing processes.

U-BOLT ASSEMBLIES

Includes Nuts and Washers

BODY MOUNTING PLATE



MERITOR NO.	DIAMETER	A	THICKNESS	SPECIAL APPLICATION
R309613	5/8"	3 1/2"	1/2"	Body Mounting Plate used with 5/8" U-Bolt and 5/8" Threaded Rod
R309614	5/8"	4"		



MERITOR NO.	THREAD SIZE	A	B	C	INCLUDES	SPECIAL APPLICATION	
					NUT	WASHER	
R30U8673-154	1"-14	15 1/2"	3 9/16"	5"	R303003	R302975	

MERITOR HIGH-STRENGTH FLAT SEMI-ROUND BEND U-BOLT ASSEMBLIES

MERITOR NO.	THREAD SIZE	A	B	C	INCLUDES		SPECIAL APPLICATION
					NUT	WASHER	
R30U8673-154	1"-14	15 1/2"	3 9/16"	5"	R303003	R302975	Peterbilt

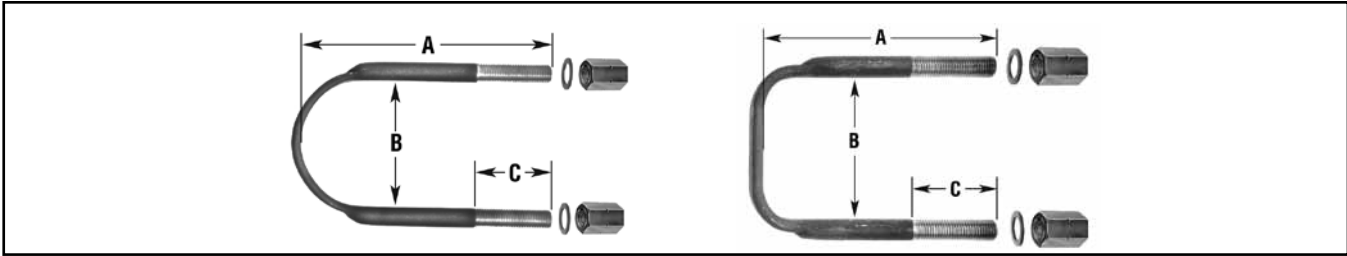
MERITOR HIGH-STRENGTH SEMI-ROUND BEND U-BOLT ASSEMBLIES

MERITOR NO.	THREAD SIZE	A	B	C	INCLUDES		BEND RADIUS	CORNER RADIUS	SPECIAL APPLICATION
					NUT	WASHER			
R30U8351-18	3/4"-16	18"	3"	6"	R303001	R302545	6"	.750"	Navistar
R30U8353-10	3/4"-16	10"	3 1/2"	3"	R303001	R302545	4 5/8"	.750"	Peterbilt
R30U8353-12	3/4"-16	12"	3 1/2"	3"	R303001	R302545	4 5/8"	.750"	Peterbilt
R30U8353-15	3/4"-16	15"	3 1/2"	6"	R303001	R302545	4"	.625"	Navistar
R30U8354-10	3/4"-16	10"	4"	3"	R303001	R302545	6"	.500"	Kenworth
R30U8354-12	3/4"-16	12"	4"	3"	R303001	R302545	5"	.500"	
R30U8362-19F	7/8"-14	19"	3 1/16"	7"	R303002A	R302546	3 1/4"	.500	Ford
R30U8363-15N	7/8"-14	15	3 1/2"	6"	R303002A	R302546	4"	.625	Navistar
R30U8375-14	1"-14	14"	4 1/8"	3"	R303003	R302975	5	.500"	Peterbilt
R30U8375-154	1"-14	15 1/2"	4 1/8"	3"	R303003	R302975	5	.500"	Peterbilt
R30U8394-144	1 1/4"-12	14 1/2"	4"	3 1/2"	R303006	R302934	4	1.00"	Mack
R30U8394-162S	1 1/4"-12	16 1/4"	4"	3 1/2"	R303005	R302934	4	1.00"	Mack
R30U8394-172S	1 1/4"-12	17 1/4"	4"	3 1/2"	R303005	R302934	4	1.00"	Mack
R30U8394-18	1 1/4"-12	18"	4"	3 1/2"	R303006	R302934	4	1.00"	Mack
R30U8394-192S	1 1/4"-12	19 1/4"	4"	3 1/2"	R303005	R302934	4	1.00"	Mack
R30U8396-165S	1 1/4"-12	16 5/8"	5"	3 1/2"	R303006	R302934	6	.750"	Mack

NOTE: Commercial-Strength and High-Strength have often been referred to as Grade 5 (120,000 psi tensile strength) and Grade 8 (150,000 psi tensile strength) respectively. These designations do not define manufacturing processes.

U-BOLT ASSEMBLIES

Includes Nuts and Washers



MERITOR HIGH-STRENGTH FLAT ROUND BEND U-BOLT ASSEMBLIES

MERITOR NO.	THREAD SIZE	A	B	C	INCLUDES		SPECIAL APPLICATION
					NUT	WASHER	
R30U8475-114	1" - 14	11 1/2"	5"	3"	R303003	R302975	Neway
R30U8479-090	1" - 14	9"	6 5/16"	2 1/4"	R303003	R302975	Neway
R30U8479-104	1" - 14	10 1/2"	6 5/16"	3"	R303003	R302975	Neway
R30U8479-124A	1" - 14	12 1/2"	6 5/16"	6"	R303003	R302975	Neway

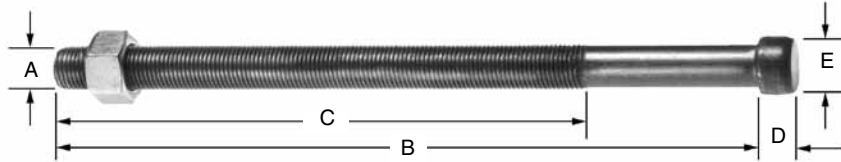
MERITOR HIGH-STRENGTH FLAT SQUARE BEND U-BOLT ASSEMBLIES

2

MERITOR NO.	THREAD SIZE	A	B	C	INCLUDES		SPECIAL APPLICATION
					NUT	WASHER	
R30U8554-033	3/4" - 16	3 3/8"	4"	1 3/4"	R004961A	R302545	Freightliner
R30U8575-126	1" - 14	12 3/4"	5"	4"	R303003	R302975	Fruehauf
R30U8578-094	1" - 14	9 1/2"	6 5/16"	3"	R303003	R302975	Neway
R30U8578-124A	1" - 14	12 1/2"	6 5/16"	6"	R303003	R302975	Neway
R30U8585-132	1 1/8" - 12	13 1/4"	5"	4"	R303004	R302548	Fruehauf

SPRING CENTER BOLTS

LISTED BY THREAD SIZE (A)



Bolts Furnished With Nuts

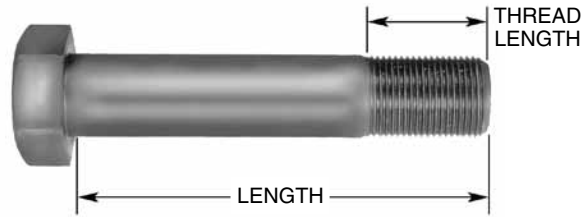
GRADE 2

MERITOR NO.	THREAD SIZE (A)	BOLT LENGTH (B)	MINIMUM THREAD LENGTH (C)	HEAD HEIGHT (D)	HEAD DIAMETER (E)
R303188	3/8"-24	8"	6"	3/8"	9/16"
R303189	7/16"-20	8"	5 1/2"	3/8"	5/8"
R303190	7/16"-20	12"	9 1/2"	3/8"	5/8"
R303191	1/2"-20	6"	4"	5/8"	5/8"
R303192	1/2"-20	8"	5 1/2"	3/8"	5/8"
R303193	1/2"-20	8"	5 1/2"	7/16"	3/4"
R303194	1/2"-20	8"	5 1/2"	3/4"	3/4"
R303195	1/2"-20	10"	9 1/2"	5/8"	5/8"
R303196	1/2"-20	12"	9 1/2"	3/8"	5/8"
R303197	1/2"-20	12"	9 1/2"	7/16"	3/4"
R303198	1/2"-20	12"	9 1/2"	3/4"	3/4"
R303199A	5/8"-18	18"	9 1/2"	1/2"	7/8"

2

MISCELLANEOUS SUSPENSION BOLTS

GRADE 5 - LISTED BY THREAD SIZE



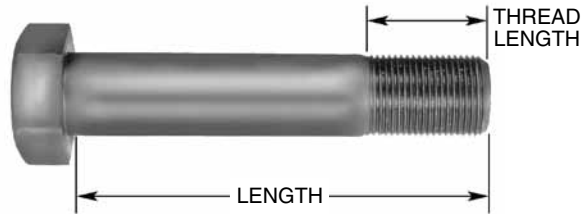
GRADE 5

MERITOR NO.	THREAD SIZE	BOLT LENGTH	THREAD LENGTH	PRIMARY APPLICATION
R301972	1/2"-20	4 3/4"	3/4"	Reyco
R302022	1/2"-20	5 1/2"	1 1/4"	Freightliner
R304348	5/8"-11	2"	1 1/2"	Hutchens
R303224	5/8"-11	5 1/2"	1 1/2"	Dayton
R303415*	5/8"-18	4 1/2"	1 1/2"	Hutchens
R302989	3/4"-10	5"	1 3/4"	Neway
R301204	3/4"-16	5 1/4"	1 3/4"	Trailmobile
R303542	3/4"-16	8 1/2"	2"	Freightliner
R302981	7/8"-9	2 3/4"	2 3/4"	Neway
R303696	7/8"-9	4 1/2"	2"	Mack
R30901	7/8"-9	5 1/2"	1 1/4"	Dayton, Reyco, Spicer, Hendrickson
R304833	7/8"-14	5 1/4"	1 1/2"	Transpro
R303691	7/8"-14	5 1/4"	2"	Mack
R301987	1"-8	2 1/2"	2 1/2"	Reyco, Spicer
R30900	1"-8	6 3/8"	1 3/4"	Reyco, Spicer
R301997	1"-8	7"	1 1/2"	Spicer
R302274	1"-8	8"	2"	Spicer
R302891*	1"-14	5"	1 1/4"	Hutchens, Trailmobile
R303240	1"-14	5 1/2"	2"	Reyco
R304830	1"-14	6 1/2"	1 3/4"	Transpro
R301166	1"-14	6 3/4"	1 1/2"	Reyco
R307533	1 1/8"-7	6 5/8"	1 7/8"	Hutchens
R304361	1 1/8"-7	8 1/2"	2"	Neway
R304364	1 1/8"-7	9 1/4"	2"	Neway
R302951	1 1/4"-7	8 1/8"	1 1/2"	Neway
R302852	1 1/4"-12	8 7/8"	2 1/2"	Reyco
R308840	M8x1.25	16mm	5/8"	Volvo

* Grade 2

MISCELLANEOUS SUSPENSION BOLTS

GRADE 8 - LISTED BY THREAD SIZE



GRADE 8

MERITOR NO.	THREAD SIZE	BOLT LENGTH	THREAD LENGTH	PRIMARY APPLICATION
R301820	1/2"-13	6 1/2"	1 1/2"	Hendrickson
R308909	5/8"-11	6"	1 5/8"	Volvo
R308910	5/8"-11	6 5/8"	1 3/4"	Volvo
R303792	5/8"-18	4 1/2"	1 1/2"	Navistar
R304345	3/4"-10	3 1/2"	2"	Neway
R309376	3/4"-16	7"	2"	Granning
R307703	3/4"-16	9"	2"	Freightliner
R305272	7/8"-9	4 1/4"	1"	Hendrickson
R302996	7/8"-9	5 1/2"	2"	Neway
R305427	7/8"-9	6"	2"	Mack
R303690	7/8"-14	5"	2"	Mack
R303692	7/8"-14	6"	2"	Mack
R303693	7/8"-14	6 1/2"	2 1/4"	Mack
R305439	7/8"-14	7 1/2"	2 1/4"	Mack
R303818	7/8"-14	7 3/4"	1 1/2"	Freightliner
R305428	7/8"-14	8"	2 1/4"	Mack
R303785	1"-8	7 1/2"	2 1/2"	Navistar
R305271	1"-14	7"	2"	Hendrickson
R303564	1"-14	8"	1 9/16"	Freightliner
R304778	1"-14	8 1/2"	2 1/2"	Peterbilt
R301860	1"-14	9"	1 7/8"	Hendrickson
R301859	1"-14	9 1/2"	1 7/8"	Hendrickson
R301856	1"-14	10"	1 7/8"	Hendrickson
R301855	1"-14	10 1/4"	1 7/8"	Hendrickson
R309430	1"-14	10 1/2"	1 7/8"	Hendrickson
R302570	1"-14	11"	2"	Hendrickson

2

MISCELLANEOUS SUSPENSION NUTS

NON-LOCKING



MERITOR NO.	THREAD	HEX	HIGH	PRIMARY APPLICATION
R005032	1/2"-20	3/4"	7/16"	Reyco
R302002	5/8"-18	15/16"	9/16"	Hutchens Trailmobile
R301107	3/4"-16	1 1/8"	13/32"	Neway, Trailmobile

FLANGED



MERITOR NO.	THREAD	HEX	HIGH	PRIMARY APPLICATION
R302892	1"-14	1 1/2"	1"	Hutchens Trailmobile
R308911	5/8"-11	15/16"	5/8"	Volvo
R303793	5/8"-18	15/16"	5/8"	Navistar
R309607	7/8"-14	1 5/16"	3/4"	Reyco

CASTELLATED



MERITOR NO.	THREAD	HEX	HIGH	PRIMARY APPLICATION
R302035	1 3/8"-12	2"	15/16"	Hendrickson

SLOTTED



MERITOR NO.	THREAD	HEX	HIGH	PRIMARY APPLICATION
R301354	1 1/8"-12	1 21/32"	15/16"	Hendrickson

LOCK NUT



MERITOR NO.	THREAD	HEX	HIGH	PRIMARY APPLICATION
R304421	1"-8	1 1/2"	1"	Reyco, Spicer
R30937	1"-14	17/16"	7/8"	Fruehauf Reyco

LOCK NUT — NYLON INSERT



MERITOR NO.	THREAD	HEX	HIGH	PRIMARY APPLICATION
R304779	1"-14	1 7/16"	1 1/32"	Peterbilt
R302079	1 1/8"-12	1 5/8"	1 3/16"	Hendrickson Kenworth
R302017	1 1/4"-12	1 13/16"	47/64"	Hendrickson

UPSET THREAD



Type 1

Type 2

Type 4

MERITOR NO.	TYPE	THREAD	HEX	HIGH	PRIMARY APPLICATION
R303560	1	1/2"-20	3/4"	7/16"	Freightliner Kenworth
R304347	1	3/4"-10	1 1/8"	5/8"	Mack, Neway, Reyco
R004961A	1	3/4"-16	1 1/8"	5/8"	Freightliner Hendrickson
R302988	1	5/8"-11	15/16"	17/32"	Neway Hutchens
R301943	1	5/8"-18	15/16"	35/64"	Hendrickson
R302983	1	7/8"-9	1 5/16"	13/16"	Neway
R301835	1	7/8"-14	1 5/16"	3/4"	Hendrickson Mack Reyco
R304421	1	1"-8	1 1/2"	1"	Neway Freightliner
R301828	1	1"-14	1 1/2"	7/8"	Hendrickson Reyco
R304358	1	1 1/8"-7	1 11/16"	15/16"	Neway
R302854	2	1 1/4"-12	1 7/8"	1 1/4"	Neway, Reyco
R304273	4	1 1/4"-7	1 7/8"	12/32"	Neway
R304274	4	1 1/4"-7LH	1 7/8"	23/32"	Neway
R304275	4	1 1/4"-7RH	1 7/8"	23/32"	Neway
R303298	4	1 5/16"-12	1 3/4"	5/16"	Freightliner
R308841	1	M16-2	15/16"	5/8"	Volvo

U-BOLT HI-NUT



Heat Treated Thru Hardened Grade 8

MERITOR NO.	THREAD	HEX	HIGH
R309605*	1/2"-20	3/4"	11/16"
R309606	9/16"-18	7/8"	3/4"
R303000	5/8"-18	1 15/16"	27/32"
R303001	3/4"-16	1 1/16"	1"
R303002A	7/8"-14	1 1/4"	1 5/32"
R303003	1"-14	1 1/2"	1 5/16"
R303004	1 1/8"-12	1 5/8"	1 15/32"
R303005	1 1/4"-12	1 13/16"	1 5/8"
R303006	1 1/4"-12	1 13/16"	2 3/4"

MISCELLANEOUS SUSPENSION WASHERS

LISTED BY O.D.



MERITOR NO.	O.D.	I.D.	THICKNESS	PRIMARY APPLICATION
R309603	1 1/16"	1/2"	1/8"	Hardened U-Bolt
R309604	1 3/16"	9/16"	1/8"	Hardened U-Bolt
R308844	1 1/4"	5/8"	1/8"	Volvo
R302547	1 5/16"	11/16"	1/8"	Hardened U-Bolt
R305429	1 3/8"	29/32"	3/16"	Mack
R302545	1 15/32"	3/4"	1/8"	Hardened U-Bolt
R301834	1 1/2"	15/16"	7/64"	Hendrickson
R304353	1 5/8"	1 1/16"	1/8"	U-Bolt
R302546	1 3/4"	15/16"	1/8"	Hardened U-Bolt
R302573	1 3/4"	1 1/8"	7/64"	Hendrickson
R302975	2"	1 1/8"	5/32"	Hardened U-Bolt
R302275	2"	1 1/16"	1/8"	Spicer
R302960	SQ 2"	1"	3/8"	Square Washer
R302548	2 1/4"	1 1/4"	1/8"	Hardened U-Bolt
R302853	2 1/4"	1 5/16"	3/16"	Reyco
R301074	2 1/2"	1 1/16"	1/4"	Fruehauf, Hutchens
R303565	2 1/2"	1 1/16"	5/16"	Freightliner
R302934	2 1/4"	1 5/16"	1/4"	Hardened U-Bolt
R302833	2 1/2"	1 5/16"	1/16"	Fruehauf
R30907	2 3/4"	1 1/16"	3/16"	Reyco
R304359	2 7/8"	1 1/8"	1/4"	Spacer Washer
R302956	3 1/4"	1 11/16"	1/8"	Neway
R304277	3 1/2"	1 1/4"	1/4"	Neway
R30905	3 3/4"	1 1/16"	1/4"	Reyco
R305273	3 11/16"	1 29/32"	1/8"	Hendrickson
R301986A	3 3/4"	1 1/16"	1/2"	Reyco, Spicer
R303541	3 3/4"	2 1/4"	1/16"	Freightliner
R301021	4"	1 1/16"	1/4"	Fruehauf
R304363	4"	1 1/8"	1/4"	Neway
R304278	4"	1 1/4"	1/2"	Neway
R302832	4"	2 1/16"	1/16"	Fruehauf
R302957	4"	2 9/16"	1/4"	Neway
R302958	4 1/16"	2 9/16"	5/32"	Neway
R304315	4 1/4"	3"	5/16"	Neway
R303699	5 3/8"	3 1/2"	5/16"	Mack
R302959	5 7/16"	3 1/2"	1/4"	Neway
R302021	5 3/4"	3 1/2"	1/8"	Hendrickson
R305219	5 3/4"	4 1/32"	3/16"	Hutchens
R305423	6 1/4"	4 1/32"	5/16"	Mack
R308831	7"	5 1/8"	1/4"	Volvo

2

ADJUSTABLE TORQUE ARMS

Listed Alphabetically by O.E.M.

BINKLEY



MERITOR NO.	REPLACES	FOR MODEL	MERITOR BUSHING NO.	LENGTH Center-to-Center
R304824	Binkley SP0123	SP900 "DURALITE"	R301980	19 1/4"

CHALMERS



Bushings Not Included

MERITOR NO.	REPLACES	FOR MODEL	MERITOR BUSHING NO.	LENGTH Center-to-Center
R304789	Chalmers 216214	All Models	R304677A	21 1/4"
R304790	Chalmers 216240	All Models	R304677A	24"

2 DAYTON



MERITOR NO. WITH BUSHINGS	MERITOR NO. LESS BUSHINGS	REPLACES	FOR MODEL	BUSHING NO.	BUSHING KIT	ADJUSTABLE LENGTH
R302512	R302292	Dayton 39090029 Front	"Tri-Lite"	R301980	R301981	14 3/4" to 18"
R302513	R302293	Dayton 39090030 Rear	"Tri-Lite"	R301980	R301981	18 1/2" to 21 1/2"

FRUEHAUF

Double Clamping Bolt Design



Bushings Not Included with Torque Arm

MERITOR NO.	REPLACES	FOR MODEL	MERITOR BUSHING NO.	BUSHING KIT NO.	LENGTH Center-to-Center
R303763	Fruehauf UCF-002640-004	"F" Series Suspension	R30927	R301023	12 3/8"
R302515	Fruehauf UCF-002640-001				13 1/2" → 16 1/8" 15 7/16"

GREAT DANE





Bushings Not Included

MERITOR NO.	REPLACES	FOR MODEL	MERITOR BUSHING NO.	MERITOR BUSHING KIT NO.	LENGTH Center-to-Center
R309476	Great Dane 16167-04	H	R30927	R309478	19 1/4"





ADJUSTABLE TORQUE ARMS

Listed Alphabetically by O.E.M.


HENDRICKSON

						
TYPE 1		TYPE 2				
MERITOR NO.	REPLACES	FOR MODEL	MERITOR BUSHING NO.	MERITOR BUSHING ASSEMBLY NO.	LENGTH Center-to-Center	TYPE
R302512	Hendrickson C-1032	Q-SR	R301980	R301981	14 3/4" to 18"	1
R302513	Hendrickson C-1032-1	Q-AH	R301980	R301981	18 1/2" to 21 1/2"	1
R309581	Hendrickson 56903-007 Mack 17QF466M	Mack, AL-40	R309395	—	14 13/32"	2

HUTCHENS Listed by Type

							
TYPE 1		TYPE 3 Heavy-Duty Cast Version of Type 1					
							
TYPE 2		TYPE 4					
MERITOR NO. WITH BUSHINGS	MERITOR NO. LESS BUSHINGS	REPLACES HUTCHENS NO.	FOR MODEL	MERITOR BUSHING NO.	MERITOR BUSHING KIT NO.	LENGTH Center-to-Center	TYPE
R303276	—	713-02	H-7700, CH-7700, CH-7800, H-9700,	R30934	R303079	16"	1
R303277	—	713-05 16398-04	H-7700, CH-7700, CH-7800, H-9700, CH-9700	R30934	R303079	19 1/4"	1
R307683	—	16398-05	H-9700, CH-9700	R30934	R303079	20 1/4"	1
R307684	—	16398-08	H-9700, CH-9700	R30934	R303079	23 1/2"	1
R307685	—	16398-12	H9700, CH-9700	R30934	R303079	29 1/4"	1
R3011448	—	16898-06	H-7700, CH-7700, CH-7800, H-9700, CH-9700	R30934	R303079	21 1/2"	1
—	R302898	2213-00	H-2200	R301038	R301075	19 1/4"	2
R302510	R302292	713-02	H-7700, CH-7700, CH-7800, H-9700, CH-9700	R30934	R303079	16"	3
R302511	R302293	713-05 16398-04	H-7700, CH-7700, CH-7800, H-9700, CH-9700	R30934	R303079	19 1/4"	3
—	R309476	16167-04	H-7600, H-9600, CH-7600, CH-9600	R30927	R309478	19 1/4"	4

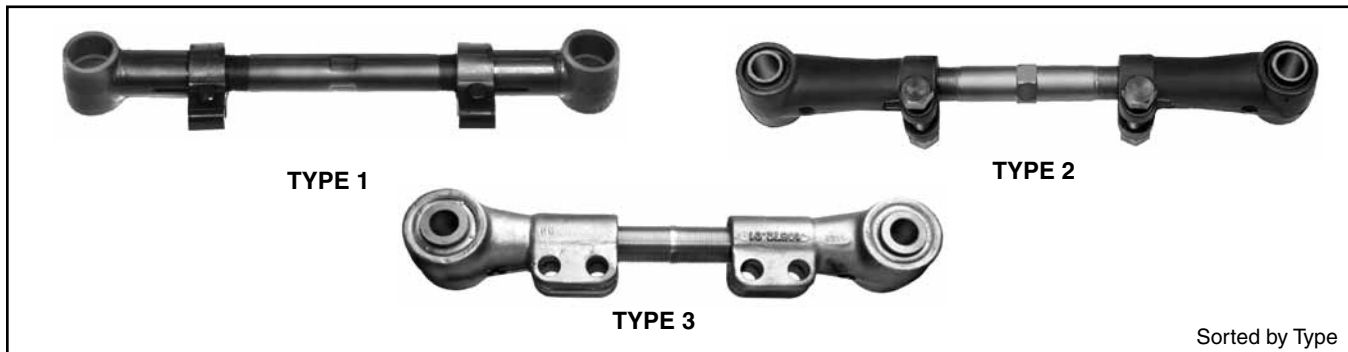
MACK

						
TYPE 2						
MERITOR NO.	REPLACES	FOR MODEL	MERITOR BUSHING NO.	MERITOR BUSHING ASSEMBLY NO.	LENGTH Center-to-Center	TYPE
R309581	Hendrickson 56903-007 Mack 17QF466M	Mack, AL-40	R309395	—	14 3/8"	2

ADJUSTABLE TORQUE ARMS

Listed Alphabetically by O.E.M.

REYCO



Sorted by Type

MERITOR NO.	REPLACES REYCO NO.	FOR MODEL	HANGER END BUSHING	AXLE SEAT END BUSHING	HANGER END BUSHING ASSEMBLY	AXLE SEAT END BUSHING ASSEMBLY	LENGTH Center-to-Center	TYPE
R303283A	T-5485 15172-01	21B	R301160	R301160	R301312A	R301312A	15 1/2" to 17 1/2"	1
R303284A	T-5486 15173-01	21B	R301160	R301160	R301312A	R301312A	17 1/2" to 19 1/2"	1
R302866A	T-7434 15354-01	102	R3011057	R301982	R309350	R301983	19 1/2" to 21 3/4"	1
R303764	15187-01	102W	R3011057	R301980	R309350	R301981	17 1/2" to 19 1/2"	1
R304796	15186-01	102AR 102W	R3011057	R301980	R309350	R301981	19 1/2" to 21 1/2"	1
R305255A	09682-01 15176-01	102	R3011057	R301982	R309350	R301983	24" to 26"	1
R302513	T-3035 T-3343	31, 41, 42	R301061 or R301980	R301061 or R301980	R301313 or R301981	R301313 or R301981	18 1/2" to 21 3/8"	2
R302512	T-3683 T-3036	31, 41, 42	R301061 or R301980	R301061 or R301980	R301313 or R301981	R301313 or R301981	14 3/4" to 18"	2
R307741	16031-01	All 73 & 83	R307750	R301980	R307749	R301981	12 3/4" to 15"	2
R307742	16032-01	73-49" & 72" 83-50" & 72"	R307750	R301980	R307749	R301981	19 1/2" to 21 3/4"	2
R307743	16034-01	73, 83-60"	R307750	R301980	R307749	R301981	24" to 26 1/4"	2
R309584	16595-01	74B & 74AR	R309549	R309549	—	—	13 1/4"	3
R309620	16595-01	74B	R309549	R309549	—	—	21 1/4"	3

REYCO/TRANSPRO

MERITOR NO. WITH BUSHINGS	REPLACES	FOR MODEL	MERITOR BUSHING NO.	MERITOR BUSHING KIT NO.	LENGTH Center-to-Center
R304824	Transpro 0030-20 1035-20	Heavyweight and Super Heavy-Duty Model 88	R301980	R304834A	18 1/4" to 20 3/4"

ADJUSTABLE TORQUE ARMS

SPICER (DANA/WEBB)

Listed Alphabetically by O.E.M.



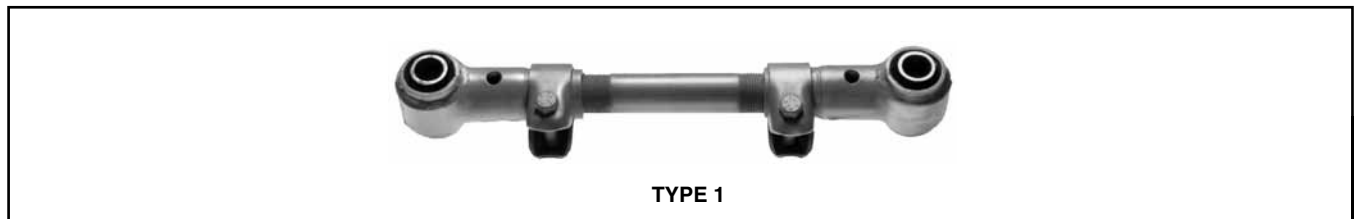
TYPE 1
Use with One-Piece Press-In Bushing

TYPE 2
Use with One-Piece Press-In Bushing (Not Included)

Sorted by Type

MERITOR NO. WITH BUSHINGS	MERITOR NO. WITHOUT BUSHINGS	REPLACES SPICER NO.	FOR MODEL	MERITOR BUSHING NO.	MERITOR BUSHING ASSEMBLY	LENGTH Center-to-Center	TYPE
R302512	R302292	M109201	62, 68	R301980	R301981	14 3/4" to 18"	1
R302513	R302293	M109202	62, 68	R301980	R301981	18 1/2" to 21 3/8"	1
—	R302294	M109101	26, 55	R301982	R301983	14" to 18 1/2"	2
—	R302295	M109102	26, 36, 55	R301982	R301983	18 1/2" to 21 3/8"	2

TRAILMOBILE



TYPE 1

MERITOR NO. WITH BUSHINGS	REPLACES	FOR MODEL	HANGER END BUSHING	AXLE SEAT END BUSHING	HANGER END BUSHING KIT	AXLE SEAT END BUSHING KIT	LENGTH Center-to-Center	TYPE
R303390	Trailmobile 3-A11-65A	3 1/2" Fabricated	R30934	R30934	R303079	R303079	17"	1

2

S.O.S. Special Order Service

Can't find it? Trouble sourcing products? Need assistance?

Let Meritor's Special Order Service (S.O.S.) help you find your Suspension parts.

Meritor's position as the market leader provides you access to a comprehensive array of truck parts products from the industry's leading manufacturers. Through Meritor, these entire product lines are available to you just by placing a phone call to Meritor's S.O.S. Department.

RIGID TORQUE ARMS

Listed Alphabetically by O.E.M.

BINKLEY



MERITOR NO.	REPLACES	FOR MODEL	MERITOR BUSHING NO.	LENGTH Center-to-Center
R309307	Binkley SP0143	SP900 "DURALITE"	R301980	19 1/4"

CHALMERS



MERITOR NO.	REPLACES	FOR MODEL	MERITOR BUSHING NO.	LENGTH Center-to-Center
R304791	Chalmers 223214	All Models	R304677A	21 1/4"
R304792	Chalmers 223240	All Models	R304677A	24"

2 FREIGHTLINER

Alternate Version of O.E.M.
Aluminum Rod. R303546 and R308941
are Lightweight Steel Tubular Rods




MERITOR NO.	REPLACES	FOR MODEL	MERITOR BUSHING NO.	LENGTH Center-to-Center
R308941	Freightliner 16-13053	FH34	Not Replaceable	16 5/8"
R303546	Freightliner B16-10420-1	FH34	Not Replaceable	18 3/16"
R308808	Freightliner 681-326-63-16	FAS Air Ride	Not Replaceable	23"
R309869	16-13054-000	FH34A	Not Replaceable	16 5/8"

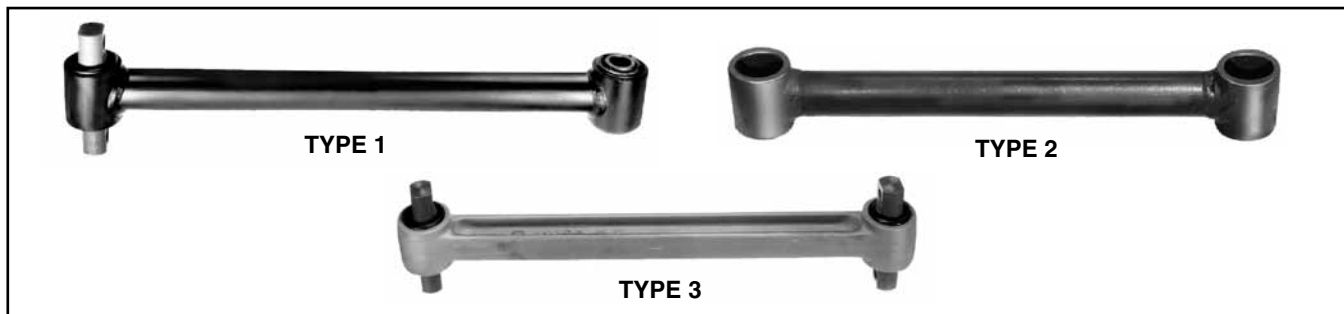
RIGID TORQUE ARMS

Listed Alphabetically by O.E.M.

FRUEHAUF

					Bushings not Included with Torque Arm
MERITOR NO.	REPLACES	FOR MODEL	MERITOR BUSHING NO.	BUSHING KIT NO.	LENGTH Center-to-Center
R302514	Fruehauf UXA-000026-001	"F" Series Suspensions	R30927	R301023	15 7/16"

HENDRICKSON



MERITOR NO.	REPLACES	FOR MODEL	MERITOR BUSHING NO.	MERITOR BUSHING ASSEMBLY NO.	LENGTH Center-to-Center	TYPE
R303773	Hendrickson C-1031	Q-SR	R301980	R301981	15 1/2"	2
R303774A2	Hendrickson C-1031-1	Q-AH	R301980	R301981	19"	2
R303731	Hendrickson 48411-001	HA	R305275	—	15 27/32"	3
R303732	Hendrickson 48411-002	HA	R305275	—	21 15/16"	3
R305282	Hendrickson 48158-01 Ford E4HZ4612A	E4	R305275 R305276	—	15 7/8"	1
R305283	Hendrickson 48158-02 Ford E4HZ4612B	E4	R305275 R305276	—	21 15/16"	1
R309394	50376-001	HAS	R309395	—	14 13/32"	3
R309409 (Front)	Hendrickson 48411-006 Mack 17QF357M	HFS, HAS	R305275	—	14 13/32"	3
R309407 (Rear)	Hendrickson 48411-007	HFS	R305275	—	20 5/16"	3

2

HUTCHENS




MERITOR NO. WITH BUSHINGS	MERITOR NO. LESS BUSHINGS	REPLACES HUTCHENS NO.	FOR MODEL	MERITOR BUSHING NO.	MERITOR BUSHING KIT NO.	LENGTH Center-to-Center
R302899	—	715-00	H-7700, CH-7700, CH-7800, H-9700, CH-9700	R30934	R303079	19 1/4"
—	R309477	11953-01	H-7600, H-9600 CH-7600, CH-9600	R30927	R309478	19 1/4"


RIGID TORQUE ARMS

Listed Alphabetically by O.E.M.

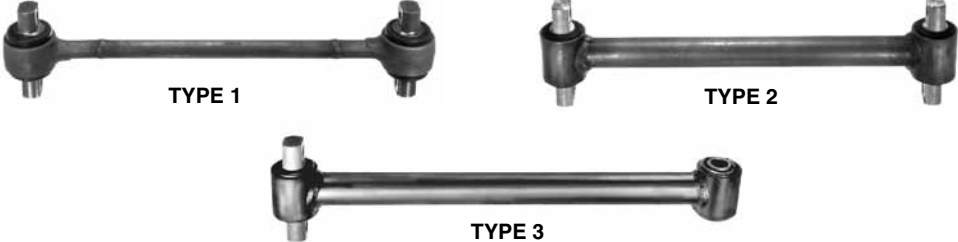
NAVISTAR

				
MERITOR NO.	REPLACES	FOR MODEL	MERITOR BUSHING NO.	LENGTH Center-to-Center
R303788	Navistar 493920C1, 588117C91, 923905	Front 4-Spring and Air Ride	R302225	18 1/8"
R303789	Navistar 493921C1, 588118C91, 923915	Rear 4-Spring and Air Ride	R302225	21 31/32"

NEWAY

				
MERITOR NO.	REPLACES	FOR MODEL	MERITOR BUSHING NO.	LENGTH Center-to-Center
R304319	Neway 915 44 001	RTS-218, 222, 536, 544	R302939	14 9/16"

PETERBILT

					
MERITOR NO.	REPLACES	FOR MODEL	MERITOR BUSHING NO.	LENGTH Center-to-Center	TYPE
R305082	Peterbilt 03-04119	"Air Trac" Air Ride	Not Rebushable	17 11/32"	2
R305083	Peterbilt 03-04327		Not Rebushable	17 11/32"	2
R307887	Peterbilt 03-05849	Quadraflex	Not Rebushable	18 1/2"	3
R304753	Peterbilt 03-04839	4-Spring	Not Rebushable	19 1/8"	2
R304771	Peterbilt 03-04059	Air Ride	R302225	23"	1
R307853	Peterbilt 03-05108	Low Air Leaf	Not Rebushable	25 5/8"	2

RIGID TORQUE ARMS

Listed Alphabetically by O.E.M.

REYCO & REYCO/TRANSPRO



TYPE 1



TYPE 2



TYPE 3



TYPE 4

Bushings Included Where Indicated By Photo



MERITOR NO.	REPLACES REYCO NO.	FOR MODEL	HANGER END BUSHING	AXLE SEAT END BUSHING	HANGER END BUSHING KIT	AXLE SEAT END BUSHING KIT	LENGTH Center-to-Center	TYPE
R302855	T-7635 15178-01	21B	R301160	R301160	R301312A	R301312A	16 1/4"	1
R302856	T-2293 15179-01	21B	R301160	R301160	R301312A	R301312A	18 7/8"	1
R302858	09481-01 15012-01	102	R3011057	R301982	R309350	R301983	21"	1
R305256	09686-01	21B	R301160	R301160	R301312A	R301312A	25"	1
R309585	16585-01	74AR/74B	R309549	R309549	R309587	R309587	14 1/4"	2
R302859	10937-01	101A 102W	R301964 (101A)	R301980	R301963 (101A) R309350 (102W)	R301981	19 5/16"	3
R302860	11012-03 10938-01	101A (GMC) 102W	R301964 (101A)	R301980	R301963 (101A) R309350 (102W)	R301981	20 1/2"	3
R307744	10040-01	All 73, 83	R307750	R301980	R307749	R301981	15"	4
R304825	Transpro 0075-20	Heavyweight and Super Heavy-Duty Model 88	R301980	R301980	R304834A	R304834A	19 7/8"	4
R309619	16588-01	74B	R309549	R309549	R309587	R309587	21 1/4"	4
R307746	12422-01	73, 83-60"	R307750	R301980	R307749	R301981	35 1/4"	4

2

RIGID TORQUE ARMS


Listed Alphabetically by O.E.M.

TRAILMOBILE

 <p>TYPE 1 Use with One-Piece, Press-In Bushing</p>			 <p>TYPE 2 Use with One-Piece, Press-In Bushing</p>			
MERITOR NO. WITH BUSHINGS	REPLACES	FOR MODEL	MERITOR BUSHING NO.	MERITOR BUSHING ASSEMBLY	LENGTH Center-to-Center	TYPE
R303391	Trailmobile 3-A11-64	3 1/2" Fabricated	R30934	R303079	17"	1

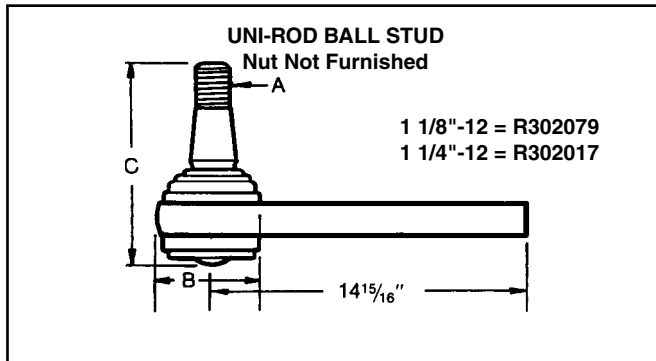
VOLVO

2

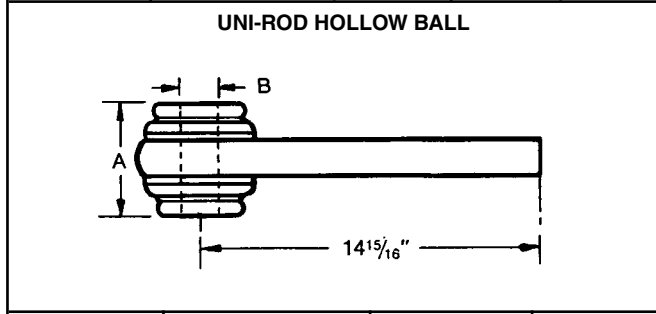
				
MERITOR NO.	REPLACES	FOR MODEL	MERITOR BUSHING NO.	LENGTH Center-to-Center
R308821	35801-0068	Air Ride	R302225	22 1/8"
R308853	8028945	T-Ride	Not Available	22 5/8"
R308853A	8074268	T-Ride	Not Available	22 5/8"

UNI-ROD UNIVERSAL BALL JOINT TORQUE ARMS

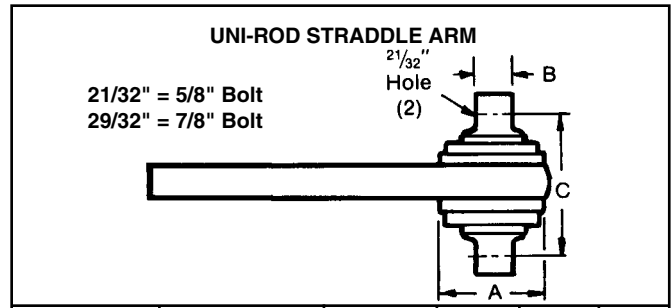
FOR ON/OFF HIGHWAY TRACTOR APPLICATIONS



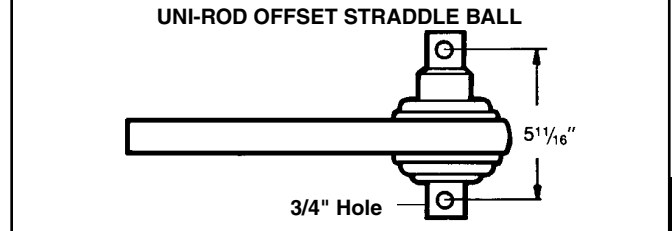
MERITOR NO.	REPLACES	A THREAD	B	C
A3106B158	O&S BU 235	1 1/8"-12	3 3/8"	6 9/64"
A3106X154	O&S MU 239	1 1/4"-12	3 3/8"	6 11/64"
A3106F162	O&S BU 347	1 1/4"-12	3 3/4"	7 43/64"
A3106Y155	O&S MU 318	1 1/4"-12	3 3/4"	6 39/64"



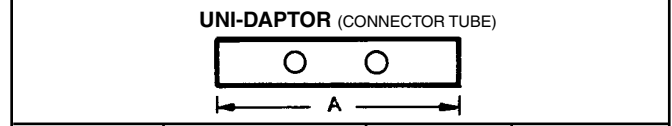
MERITOR NO.	REPLACES	A	B
A3106G163	O&S HU 351	3 1/4"	1 1/8"



MERITOR NO.	REPLACES	HOLE DIA.	A	B	C
A3106C159	O&S SU 236	2 1/32"	3 3/8"	1 1/8"	4 3/8"
A3106W153	O&S SU 348	2 1/32"	3 3/4"	1 1/8"	4 3/8"
R303987	O&S SU 37	2 9/32"	3 3/4"	1 1/8"	4 3/8"



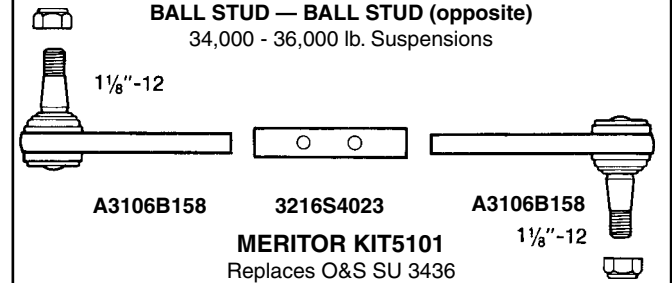
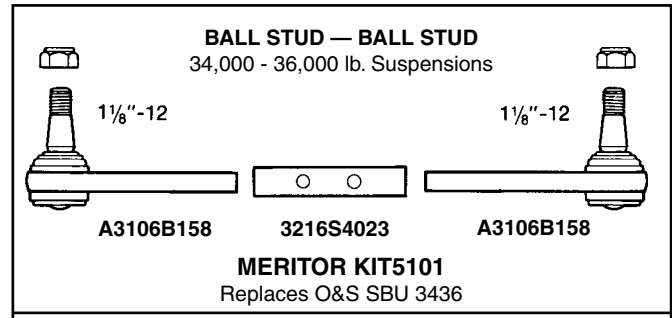
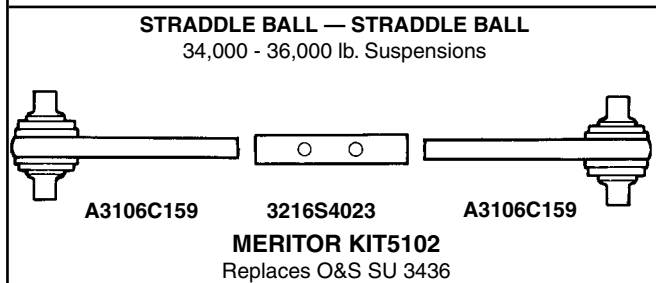
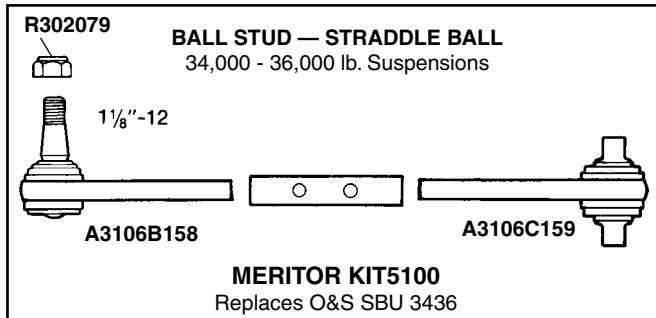
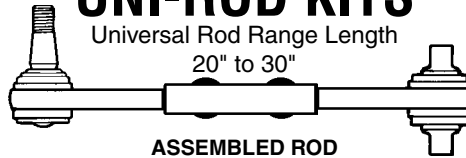
MERITOR NO.	REPLACES
A3106E161	O&S SU 359



MERITOR NO.	REPLACES	A	I.D.
3216S4023	O&S 8151-1	8"	1.130"
3216T4024	O&S 8607-1	18"	1.135"

UNI-ROD KITS

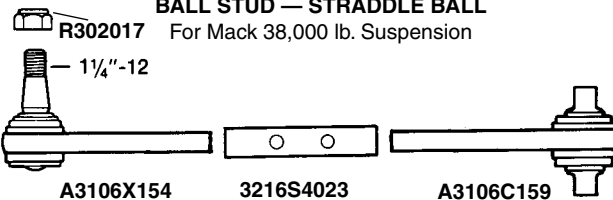
Universal Rod Range Length
20" to 30"



UNI-ROD KITS

FOR ON/OFF HIGHWAY TRACTOR APPLICATIONS

BALL STUD — STRADDLE BALL
For Mack 38,000 lb. Suspension

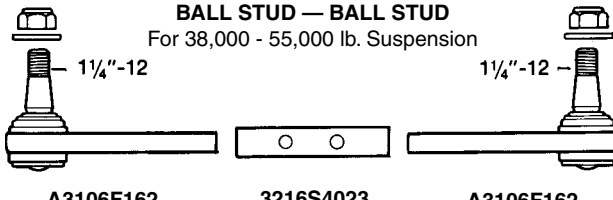


R302017
1 1/4"-12

A3106X154 3216S4023 A3106C159

MERITOR KIT5103
Replaces O&S SMU 3800

BALL STUD — BALL STUD
For 38,000 - 55,000 lb. Suspension



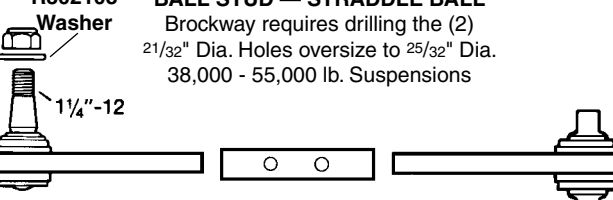
1 1/4"-12 1 1/4"-12

A3106F162 3216S4023 A3106F162

MERITOR KIT5117
Replaces O&S BU 3844

BALL STUD — STRADDLE BALL
Brockway requires drilling the (2) 2 1/32" Dia. Holes oversize to 2 5/32" Dia.
38,000 - 55,000 lb. Suspensions

R302108
Washer

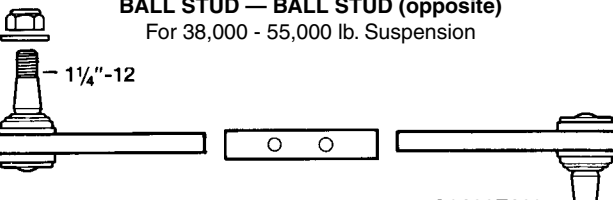


1 1/4"-12

A3106F162 3216S4023 A3106W153

MERITOR KIT5116
Replaces O&S SBU 3844

BALL STUD — BALL STUD (opposite)
For 38,000 - 55,000 lb. Suspension



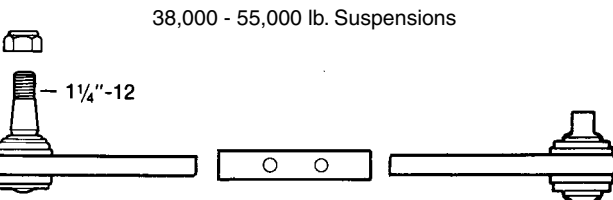
1 1/4"-12

A3106F162 3216S4023 A3106F162

MERITOR KIT5117
Replaces O&S BU 3844

1 1/4"-12

BALL STUD — STRADDLE BALL
38,000 - 55,000 lb. Suspensions

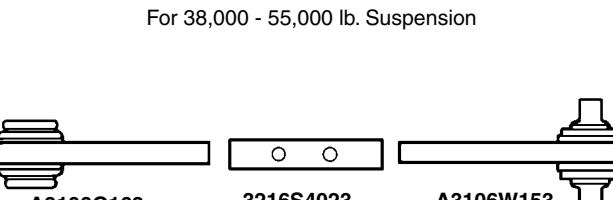


1 1/4"-12

A3106Y155 3216S4023 A3106W153

MERITOR KIT5120
Replaces O&S SMU 4044

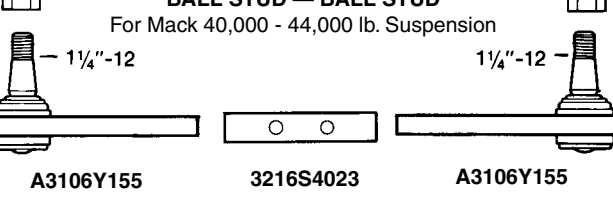
HOLLOW BALL — STRADDLE BALL
For 38,000 - 55,000 lb. Suspension



A3106G163 3216S4023 A3106W153

MERITOR KIT5114
Replaces O&S SHU 3844

BALL STUD — BALL STUD
For Mack 40,000 - 44,000 lb. Suspension

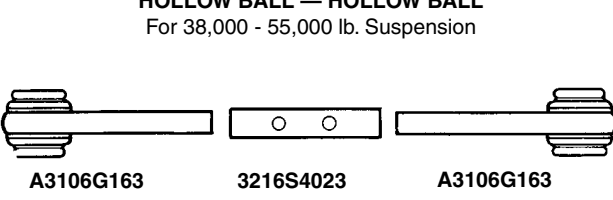


1 1/4"-12 1 1/4"-12

A3106Y155 3216S4023 A3106Y155

MERITOR KIT5119
Replaces O&S MU-4044

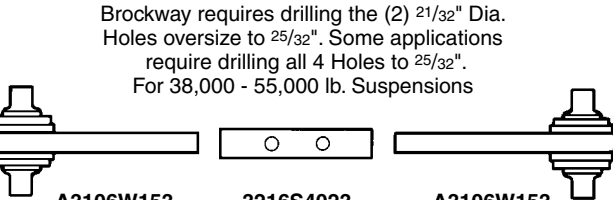
HOLLOW BALL — HOLLOW BALL
For 38,000 - 55,000 lb. Suspension



A3106G163 3216S4023 A3106G163

MERITOR KIT5115
Replaces O&S HU 3844

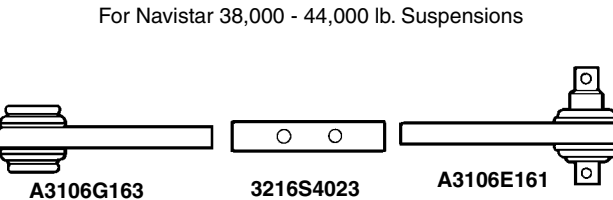
STRADDLE BALL — STRADDLE BALL
Brockway requires drilling the (2) 2 1/32" Dia. Holes oversize to 2 5/32". Some applications require drilling all 4 Holes to 2 5/32".
For 38,000 - 55,000 lb. Suspensions



A3106W153 3216S4023 A3106W153

MERITOR KIT5118
Replaces O&S SU 3844

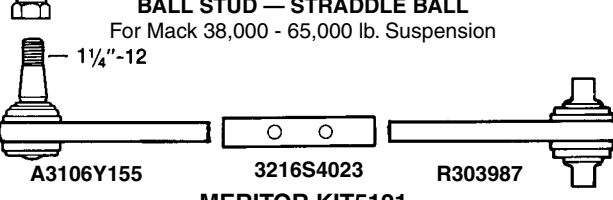
OFFSET STRADDLE BALL — HOLLOW BALL
For Navistar 38,000 - 44,000 lb. Suspensions



A3106G163 3216S4023 A3106E161

MERITOR KIT5113
Replaces O&S IHU 3444

BALL STUD — STRADDLE BALL
For Mack 38,000 - 65,000 lb. Suspension



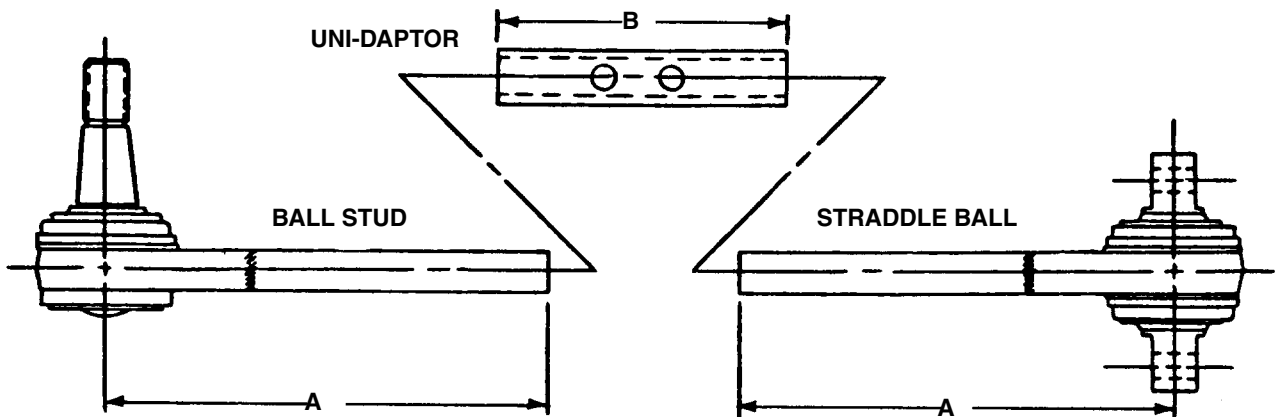
1 1/4"-12

A3106Y155 3216S4023 R303987

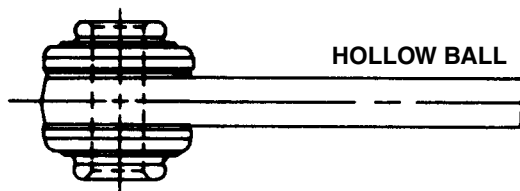
MERITOR KIT5121
Replaces O&S LMU 4044

UNI-ROD UNIVERSAL BALL JOINT TORQUE ARMS

ASSEMBLY INSTRUCTIONS



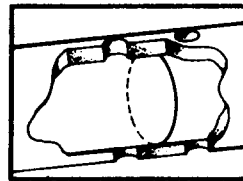
Dim. A — $14 \frac{15}{16} \pm \frac{1}{16}$ " Dim. B — 8"



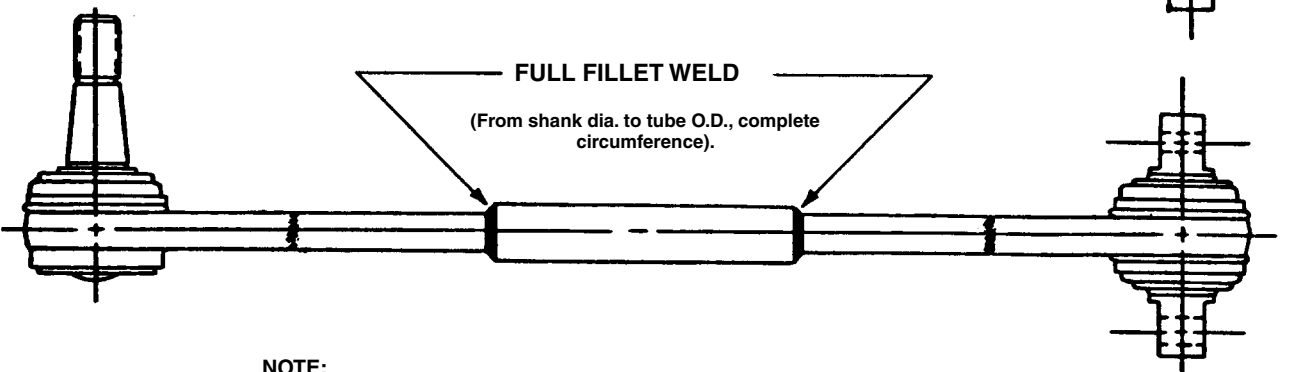
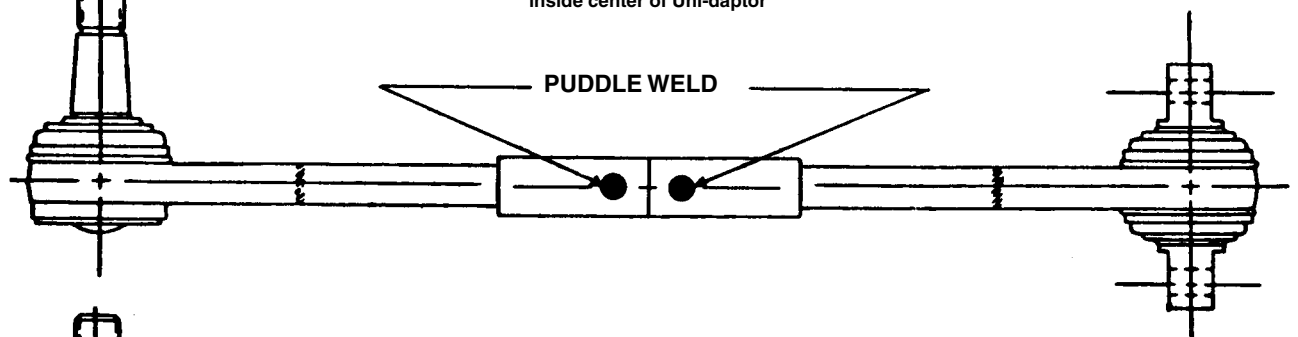
To fabricate Uni-Rod to required length:

- (1) Determine finished length
- (2) Reading from tape supplied with Uni-Rod, cut each Uni-Rod end to proper length
- (3) Slip Uni-Rod ends into Uni-daptor so that the rods butt in the center
- (4) Puddle weld and fillet weld according to instructions

NOTE: The measuring tapes supplied have been calibrated to provide the proper finished length.



Phantom View — Rods should butt inside center of Uni-daptor



NOTE:
Meritor accepts no responsibility for the welding, the welds, or methods reliability.

SUSPENSION BUSHINGS

Select Type, Then Listed By I.D.

E.S.P. GUIDE

Easy Search for Parts

HOW TO USE THIS GUIDE:

1. Identify bushing type. Bushings are listed by type beginning with Type 1.
2. Measure bushing I.D. For Type 5 and Type 6 bushings, the thread size is shown in the I.D. column.
3. Bushings in this guide are listed in order from smallest to largest I.D., then O.D., then Length.
4. If there is not a typical measurement for I.D., such as Type 6 bushings, then the I.D. space is blank.
5. Where two I.D.s or O.D.s are listed for a bushing, the small I.D. or O.D. is used for reference.
6. After matching up bushing dimensions, confirm your choice by bushing type, end component, material and application.

TYPE 1 One-Piece



One bushing is required to service one component or one component end.

TYPE 2 Straight Two-Piece



Two bushings are required to service one component or component end.

TYPE 3 Straddle Mount



Length on guide is center-to-center.

TYPE 4 Tapered Two-Piece



Two bushings are required to service one component or component end.

TYPE 5 Tapered Stud



Length on guide is stud shoulder length; I.D. is thread size.

TYPE 6 Hendrickson Center Bushing



I.D. is not measured on guide (left blank), small O.D. is measured first.

MERITOR NO.	I.D.	O.D.	LENGTH	TYPE	END COMPONENT	MATERIAL	APPLICATION / NOTES
R307452	5/8" (2)	3 1/4"	3 7/8"	1	Equalizer	Urethane/Steel	Hutch
R301999A	5/8" (2)	3 1/4"	3 7/8"	1	Equalizer	Rubber/Steel	Hutch, Great Dane
N/A	5/8" (2)	3 1/4"	4 7/16"	1	Equalizer	Urethane/Steel	Trailmobile
R303359	3/4"	2 3/8"	3"	1	Equalizer	Rubber/Steel	Reyco Shackle Bushing
R303849	7/8"	1 3/4"	3 1/4"	1	Spring Eye	Rubber/Steel	Volvo/White
R303817	7/8"	1 3/4"	4"	1	Spring Eye Bracket	Rubber/Steel	Freightliner
R301980	7/8"	1 29/32"	3"	1	Torque Arm	Rubber/Steel	Reyco, Navistar/Dayton
R307520	7/8"	1 29/32"	3"	1	Torque Arm	Urethane/Steel	Reyco, Navistar/Dayton
R301061	7/8"	1 29/32"	3"	1	Hanger	Rubber/Steel	Reyco rebound roller
R305276	7/8"	2"	3"	1	Torque Arm	Rubber/Steel	Hendrickson
R303362	7/8"	2 1/32"	3"	1	Torque Arm	Rubber/Steel	Ford/Reyco 181/101F
R303086	7/8"	2 3/8"	3"	1	Torque Arm	Rubber/Steel	Navistar/Dayton Tractor
R305270	7/8"	2 3/8"	3"	1	Equalizer	Rubber/Steel	Hendrickson E-360
R309286	15/16"	3 1/2"	4 1/4"	1	Beam	Rubber/Steel	Neway ARDAB
R30934	1"	1 29/32"	3"	1	Torque Arm	Rubber/Steel	Hutch, Trailmobile
R307453	1"	1 29/32"	3"	1	Torque Arm	Polyurethane/Steel	Hutch
R309549	1"	2 3/8"	4"	1	Torque Arm	Rubber/Steel	Reyco 74B
R305269	1"	2 3/4"	4 5/8"	1	Equalizer	Rubber/Steel	Hendrickson E4-360, E4-400
N/A	1"	3 1/16"	3 1/4"	1	Equalizer	Rubber/Steel	Ford/Reyco 181/101F
R307870	1 1/64"	3 3/4"	5 1/4"	1	Equalizer	Rubber/Steel	Peterbilt Quadreflex
R303784	1 1/32"	2 1/2"	4 23/32"	1	Equalizer	Rubber/Steel	Navistar Corporate
R304827	1 1/32"	3 5/16"	4"	1	Equalizer	Rubber/Steel	Binkley, Reyco/Transpro 86,88
R309506	1 1/8"	2 1/8"	2 13/16"	1	Cab Tilt	Urethane/Steel	Volvo
R304255	1 1/8"	2 3/8"	5"	1	Beam	Rubber/Steel	Neway
R307485	1 1/8"	2 3/8"	5"	1	Beam	Urethane/steel	Neway
R304256	1 1/8"	2 5/8"	5"	1	Beam	Rubber/Steel	Neway







N/A = No Longer Available

(Continued on next page)

(2) = Bushing with 2 - 5/8" holes.

SUSPENSION BUSHINGS

Select Type, Then Listed By I.D.

TYPE 1 One-Piece  One bushing is required to service one component or one component end.	TYPE 2 Straight Two-Piece  Two bushings are required to service one component or component end.	TYPE 3 Straddle Mount  Length on guide is center-to-center.	TYPE 4 Tapered Two-Piece  Two bushings are required to service one component or component end.	TYPE 5 Tapered Stud  Length on guide is stud shoulder length; I.D. is thread size.	TYPE 6 Hendrickson Center Bushing  I.D. is not measured on guide (left blank), small O.D. is measured first.
---	--	--	--	---	---







MERITOR NO.	I.D.	O.D.	LENGTH	TYPE	END COMPONENT	MATERIAL	APPLICATION / NOTES
R302816	1 1/8"	2 3/4"	3 1/4"	1	Torque Arm	Rubber/Steel	Hendrickson, Navistar
R304410A	1 1/8"	2 3/4"	5"	1	Beam	Rubber/Steel	Neway
R301351	1 1/8"	2 7/8"	7"	1	Torque Arm	Rubber/Steel	Hendrickson, Navistar
R309457	1 1/8"	3"	2 15/16"	1	Beam	Rubber/Steel	Page
R302238	1 1/8"	3"	3 1/4"	1	Torque Arm	Rubber/Steel	Hendrickson, Navistar
R301352	1 1/8"	3 3/8"	3 1/4"	1	Torque Arm	Rubber/Steel	Hendrickson, Navistar
R307621	1 1/8"	3 1/2"	3 7/8"	1	Equalizer	Rubber/Steel	Hutch 9600,9700
R304382A	1 1/8"	3 1/2"	5 1/4"	1	Beam	Rubber/Steel	Neway
R3013966	1 1/8"	2 3/4"	3 1/4"	1	Torque Rod	Rubber/Steel	Hendrickson
R3013967	1 1/8"	3 1/4"	3 1/4"	1	Torque Rod	Rubber/Steel	Hendrickson - Bonded bushing - covalent chemical bonding
R303533	1 1/4"	1 1/2"	3 1/2"	1	Spring Eye	Bronze	Freightliner
R302939	1 1/4"	2 3/8"	2 1/2"	1	Torque Arm	Rubber/Steel	Neway
R302940	1 1/4"	2 3/8"	5"	1	Beam	Rubber/Steel	Neway
R303900	1 1/4"	2 1/2"	4"	1	Spring Eye	Rubber/Steel	Mack
R302849	1 1/4"	3 1/8"	4 1/2"	1	Equalizer	Rubber/Steel	Ford/Reyco 101, Slotted
R302850	1 1/4"	3 1/8"	4 1/2"	1	Equalizer	Rubber/Steel	GM/Ford/Reyco, No Slots
R306127	1 1/4"	3 3/8"	5 1/4"	1	Beam	Rubber/Steel	Hendrickson
R306126	1 1/4"	3 3/8"	10 1/2"	1	Beam	Rubber/Steel	Hendrickson
N/A	1 1/4"	3 1/2"	5 1/4"	1	Beam	Rubber/Steel	Neway
R302938	1 1/4"	3 1/2"	5 13/16"	1	Beam	Rubber/Steel	Neway
R30640	1 5/16"	2 5/16"	2 1/4"	1	Torque Arm	Rubber/Steel	Trailmobile
N/A	1 5/16"	2 27/64"	1 29/32"	1	Torque Arm	Urethane	Freightliner
R304752	1 3/8"	2 5/32"	2 1/2"	1	Torque Arm	Rubber	Peterbilt Old Style
R303360	1 1/2"	2 3/4"	3 3/8"	1	Torque Arm	Rubber/Steel	Ford/Reyco 181/101F
R301966	1 1/2"	3 1/8"	4 1/2"	1	Equalizer	Rubber/Steel	Reyco, Slotted Ends
R303977	1 1/2"	3 1/8"	4 1/2"	1	Equalizer	Rubber/Steel	Reyco, No Slots
R308654	1 1/2"	3 1/8"	4 1/2"	1	Equalizer	Urethane/Steel	Reyco, No Slots
R309439	1 1/2"	3 3/16"	4 7/16"	1	Beam	Rubber/Steel	Ridewell
R304775	1 3/4"	2 1/2"	2 3/4"	1	Spring Eye	Rubber	Peterbilt
R301336	1 3/4"	2 3/4"	2 3/8"	1	Shackle Pin	Rubber	Neway TL
R306121	1 3/4"	6"	6 3/4"	1	Beam	Rubber/Steel	Hendrickson Tri-Functional
R304669	2"	2 7/8"	4"	1	Stabilizer	Rubber	Kenworth
R307446A	2"	2 7/8"	4"	1	Stabilizer	Eurethane	Kenworth
R303082	2"	3 1/8"	4 1/4"	1	Equalizer	Rubber	Navistar/Dayton, Volvo
R301072	2"	3 1/8"	4 1/4"	1	Equalizer	Rubber/Steel	Reyco, Spicer
R304254	2"	3 3/8"	5 1/4"	1	Beam	Rubber/Steel	Neway
R307515	1 5/8"	3 1/2"	4 1/2"	1	Miscellaneous	Urethane	Premier

N/A = No Longer Available

(Continued on next page)

SUSPENSION BUSHINGS

Select Type, Then Listed By I.D.

TYPE 1 One Piece  One bushing is required to service one component or one component end.	TYPE 2 Straight Two-Piece  Two bushings are required to service one component or component end.	TYPE 3 Straddle Mount  Length on guide is center-to-center.	TYPE 4 Tapered Two-Piece  Two bushings are required to service one component or component end.	TYPE 5 Tapered Stud  Length on guide is stud shoulder length; I.D. is thread size.	TYPE 6 Hendrickson Center Bushing  I.D. is not measured on guide (left blank), small O.D. is measured first.
--	---	---	--	--	--







MERITOR NO.	I.D.	O.D.	LENGTH	TYPE	END COMPONENT	MATERIAL	APPLICATION / NOTES
R307516	2"	3 1/2"	1 7/8"	1	Miscellaneous	Urethane	Premier
R307517	2"	3 1/2"	3 1/2"	1	Miscellaneous	Urethane	Premier
R30968	2"	3 1/2"	4"	1	Equalizer	Rubber/Steel	Fruehauf
R301940	2"	4 1/8"	4"	1	Saddle Drive Pin	Rubber/Steel	Hendrickson
R309515	2"	4 1/8"	4"	1	Saddle Drive Pin	Poly/Steel	Hendrickson
A2297J1050	2 7/32"	4 1/8"	3 15/32"	1	Torque Arm	Urethane/Steel	Meritor, Rockwell, Tapered I.D.
R304677A	2 11/32"	3 5/8"	3 3/4"	1	Torque Arm	Rubber	Chalmers, Standard
R304678A	2 11/32"	3 11/16"	3 3/4"	1	Torque Arm	Rubber	Chalmers, Oversize
R304252	2 1/2"	3 7/8"	5 1/4"	1	Beam	Rubber/Steel	Neway ARD
R306128	2 1/2"	3 7/8"	5 1/4"	1	Beam	Rubber/Steel	Hendrickson MTL45
R304253	2 1/2"	3 7/8"	5 3/4"	1	Beam	Rubber/Steel	Neway ARD
R308681	2 1/2"	3 7/8"	5 3/4"	1	Beam	Urethane/Steel	Neway ARD
R301340	2 1/2"	4 3/8"	5 1/4"	1	Beam End	Rubber/Steel	Hendrickson 340
N/A	2 1/2"	4 3/8"	5 1/4"	1	Beam End	Urethane/Steel	Hendrickson 340
R302771	2 1/2"	4 3/8"	5 3/4"	1	Beam End	Rubber/Steel	Hendrickson 480
R301341A	2 1/2"	4 3/8"	5 3/4"	1	Beam End	Rubber/Steel	Hendrickson 400/460
R309512A	2 1/2"	4 3/8"	5 3/4"	1	Beam End	Urethane/Steel	Hendrickson 400/460
R309419	2 1/2"	4 3/8"	6"	1	Beam End	Rubber/Steel	Hendrickson 520/650
R307524	2 1/2"	4 3/4"	5 3/16"	1	Eye	Urethane	Silver Eagle
R309293	2 5/8"	4 1/8"	5 1/4"	1	Beam	Rubber/Steel	Neway
R301545	2 3/4"	3 5/8"	5 7/8"	1	Beam Center	Bronze	Hendrickson
R301335	2 13/16"	3 3/4"	4"	1	Equalizer	Rubber	Neway TL
R302554	3"	6"	6"	1	Beam End	Rubber/Steel	Hendrickson 650
R302923A	3 7/16"	4 7/16"	7 9/16"	1	Trunnion	Rubber	Mack
R302924A	3 7/16"	4 7/16"	8 3/8"	1	Trunnion	Rubber	Mack
R307441	3 7/16"	4 7/16"	8 3/8"	1	Trunnion	Urethane	Mack
R302921A	3 7/16"	4 11/16"	5 9/16"	1	Trunnion	Rubber	Mack
R307478	3 7/16"	4 11/16"	5 9/16"	1	Trunnion	Urethane	Mack
R307479	3 7/16"	4 11/16"	6 5/16"	1	Trunnion	Urethane	Mack
R302922A	3 7/16"	4 11/16"	6 5/8"	1	Trunnion	Rubber	Mack
R302925	3 1/2"	3 3/4"	3 7/16"	1	Trunnion	Bronze	Mack
R304683	3 1/2"	4 1/16"	3 1/4"	1	Wishbone	Rubber/Steel	Chalmers
R301334	3 1/2"	4 1/2"	3 1/2"	1	Trunnion	Rubber	Neway
R307442	3 1/2"	4 1/2"	3 1/2"	1	Trunnion	Urethane	Neway, Fruehauf
R307488	3 1/2"	4 1/2"	4"	1	Trunnion	Urethane	Page
R302935	3 1/2"	4 1/2"	5 3/4"	1	Trunnion	Rubber	Neway
R307443	3 1/2"	4 1/2"	5 3/4"	1	Trunnion	Urethane	Neway
R307489	3 1/2"	4 1/2"	8 3/4"	1	Trunnion	Urethane	Page

N/A = No Longer Available

(Continued on next page)

SUSPENSION BUSHINGS

Select Type, Then Listed By I.D.

TYPE 1 One-Piece  <p>One bushing is required to service one component or one component end.</p>	TYPE 2 Straight Two-Piece  <p>Two bushings are required to service one component or component end.</p>	TYPE 3 Straddle Mount  <p>Length on guide is center-to-center.</p>	TYPE 4 Tapered Two-Piece  <p>Two bushings are required to service one component or component end.</p>	TYPE 5 Tapered Stud  <p>Length on guide is stud shoulder length; I.D. is thread size.</p>	TYPE 6 Hendrickson Center Bushing  <p>I.D. is not measured on guide (left blank), small O.D. is measured first.</p>
--	---	---	---	--	--







MERITOR NO.	I.D.	O.D.	LENGTH	TYPE	END COMPONENT	MATERIAL	APPLICATION / NOTES
R307499	3 1/2"	4 1/2"	10 1/2"	1	Trailing Arm	Urethane	Peerless
R301552	3 1/2"	4 3/4"	5 7/8"	1	Beam Center	Bronze	Hendrickson
R302927	3 1/2"	5 1/4"	10 5/8"	1	Trunnion	Rubber/Steel	Mack
R305421	4"	4 1/4"	4 5/16"	1	Trunnion	Bronze	Mack
R307434	4"	4 15/16"	7 7/8"	1	Trunnion	Urethane	General Trailer
R307492	4"	5"	4 11/16"	1	Trunnion	Urethane	Page
R301333	4"	5"	5 3/4"	1	Trunnion	Rubber	Neway
R309544	4"	5"	9 3/8"	1	Trunnion	Rubber	Reyco 70B
R303579	4"	5"	8 5/16"	1	Trunnion	Rubber	Fruehauf M2
R308663	4"	5"	8 5/16"	1	Trunnion	Urethane	Fruehauf M2
R301332	4"	5"	8 3/4"	1	Trunnion	Rubber	Neway TS
R307486	4"	5"	8 3/4"	1	Trunnion	Urethane	Neway TS
R305216	4"	5"	9"	1	Trunnion	Rubber	Hutch H900
R307455	4"	5"	9"	1	Trunnion	Urethane	Hutch H900
R307434	4"	4 7/8"	7 7/8"	1	Trunnion	Urethane	Peerless
R307493	4 1/2"	5 1/2"	4 7/8"	1	Trunnion	Urethane	Page
R305432	5"	5 1/4"	4 5/16"	1	Trunnion	Bronze	Mack
R302998	1 1/2"	4 1/2"	4 9/16"	1	Beam	Rubber/Steel	Neway, Square I.D.
R308797	1 1/4"	1 5/8"	4"	1	Spring Eye	Bronze	Freightliner
R303534	1 1/4"-8	1 1/2"	3 1/2"	1	Spring Eye	Bronze	Freightliner
R303534	1 1/4"-8	1 1/2"	3 1/2"	1	Spring	Bronze	Freightliner
R308799	1 1/4"-8	1 1/2"	4"	1	Spring Eye	Steel	Freightliner
R309292	1 1/8"	3 1/2"	5"	1	Beam	Rubber/Steel	Neway
A2297J1050	1 3/4"	4 1/8"	3 15/32"	1	Torque Arm	Urethane/Steel	Meritor, Rockwell, Tapered I.D.
R309458	3 5/8"	5"	5 5/8"	1	Pivot Arm	Rubber	Page Lift Axles
R307474	5/8"	1 13/16"	1 1/4"	2	Shock	Urethane	Multiple
R307447	7/8"	1 1/2"	2 3/4"	2	Spring Eye	Urethane	Cambria
R303563	1 1/16"	1 5/8"	3 3/16"	2	Spring Eye Bracket	Urethane	Freightliner
R307429	1 1/4"	2 1/4"	2 3/4"	2	Spring Eye	Urethane	Crown Coach, Flanged End
R307841	1 3/4"	2 1/2"	2 1/2"	2	Spring Eye	Rubber	Peterbilt
R307509	1 3/4"	2 1/2"	2 3/4"	2	Spring Eye	Urethane	Peterbilt
R307701	2 1/4"	2 49/64"	2 9/32"	2	Equalizer	Urethane	Freightliner, Flanged End
R303540A	2 1/4"	2 3/4"	2 3/8"	2	Equalizer	Urethane	Freightliner, Flanged End
R307427	2 3/8"	3 5/8"	1 7/8"	2	Torque Arm	Urethane	Chalmers, Standard
R304745	2 1/2"	3 1/8"	2 1/4"	2	Equalizer	Injected Urethane	Peterbilt, Flanged end
R307510	2 1/2"	3 1/8"	2 1/4"	2	Equalizer	Cast Urethane	Peterbilt, Flanged end
R307426	2 1/2"	4 1/4"	2 1/8"	2	Torque Arm	Urethane	Chalmers

N/A = No Longer Available

(Continued on next page)

SUSPENSION BUSHINGS

Select Type, Then Listed By I.D.

TYPE 1 One Piece  <p>One bushing is required to service one component or one component end.</p>	TYPE 2 Straight Two Piece  <p>Two bushings are required to service one component or component end.</p>	TYPE 3 Straddle Mount  <p>Length on guide is center to center.</p>	TYPE 4 Tapered Two Piece  <p>Two bushings are required to service one component or component end.</p>	TYPE 5 Tapered Stud  <p>Length on guide is stud shoulder length; I.D. is thread size.</p>	TYPE 6 Hendrickson Center Bushing  <p>I.D. is not measured on guide (left blank), small O.D. is measured first.</p>
--	---	---	--	--	--







MERITOR NO.	I.D.	O.D.	LENGTH	TYPE	END COMPONENT	MATERIAL	APPLICATION / NOTES
R308917	2 1/2"	4 1/2"	2 1/16"	2	Torque Arm	Urethane	Chalmers
R309440	3 7/16"	4 1/2"	4"	2	Trunnion	Rubber	Ridewell Dynalastic
R308833	5 1/16"	5 1/4"	2 3/4"	2	Trunnion	Nylon	Volvo
R3013961	5/8"	3 1/4"	4 3/8"	3	Torque Rod	Rubber/Steel	Hendrickson - Bonded bushing - covalent chemical bonding
R3013963	3/4"	2 3/4"	5 11/10"	3	Torque Rod	Rubber/Steel	Hendrickson
R3013964	3/4"	3 1/4"	5 11/10"	3	Torque Rod	Rubber/Steel	Hendrickson - Bonded bushing - covalent chemical bonding
R3013970	3/4"	3 1/4"	4 3/8"	3	Torque Rod	Rubber/Steel	Hendrickson - Bonded bushing - covalent chemical bonding
R3013971	7/8"	3 1/4"	5 1/4"	3	Torque Rod	Rubber/Steel	Hendrickson - Bonded bushing - covalent chemical bonding
R305275	N/A	2"	4 3/8"	3	Torque Arm	Rubber/Steel	5/8" Bolt Holes
R309395	N/A	2 7/16"	4 3/8"	3	Torque Arm	Rubber/Steel	5/8" Bolt Holes
R302225	N/A	2 17/32"	4 3/8"	3	Torque Arm	Rubber/Steel	5/8" Bolt Holes
R307638	N/A	2 17/32"	4 3/8"	3	Torque Arm	Urethane/Steel	5/8" Bolt Holes
R308804	N/A	2 1/2"	5 21/32"	3	Spring Eye	Rubber/Steel	3/4" Bolt Holes
R304664	N/A	2 3/4"	4 3/8"	3	Torque Arm	Rubber/Steel/Alum.	5/8" Bolts , Aluminum Pin
R307639	N/A	2 3/4"	4 3/8"	3	Torque Arm	Urethane/Steel	5/8" Bolts
R303868	N/A	2 3/4"	4 3/8"	3	Torque Arm	Rubber/Steel	3/4" Bolts
R302226	N/A	2 3/4"	4 3/8"	3	Torque Arm	Rubber/Steel	5/8" Bolts
R309517	N/A	2 3/4"	5 11/16"	3	Torque Arm	Poly/Steel	3/4" Bolts
R302814	N/A	2 3/4"	5 11/16"	3	Torque Arm	Rubber/Steel	3/4" Bolts
R303411	N/A	3"	5 11/16"	3	Torque Arm	Rubber/Steel	3/4" Bolts
R309324	N/A	3 1/2"	4 3/8"	3	Torque Arm	Rubber /Steel	5/8" Bolts
R309508	N/A	3 5/8"	4 3/8"	3	Torque Arm	Poly/Steel	5/8" Bolts
R309288	N/A	3 3/4"	7 7/8"	3	Front Beam	Rubber/Steel	7/8" Bolts
R309287	N/A	3 3/4"	7 7/8"	3	Rear Beam	Rubber/Steel	7/8" Bolts
A2297V4806	N/A	4 1/8"	4 3/8"	3	Torque Arm	Rubber / Steel	5/8" Bolts
R308655	N/A	4 1/8"	5 1/4"	3	Torque Arm	Urethane/Steel	5/8" Bolts
R309321	N/A	4 1/8"	5 1/4"	3	Torque Arm	Rubber / Steel	3/4" Bolts
R309322	N/A	4 1/8"	5 1/4"	3	Torque Arm	Rubber / Steel	1" Bolts
R304403	3/4"	1 17/32"	13/16"	4	Shock	Rubber/Steel	Neway
R307528	3/4"	1 7/16"	7/8"	4	Shock	Urethane	Multiple
R308684	3/4"	1 17/32"	15/16"	4	Shock	Urethane/Steel	Neway
R303296	3/4"	2 5/32"	1 3/16"	4	Torque Arm	Urethane	Freightliner
R301982	1"	1 3/4"	2 11/16"	4	Torque Arm	Rubber/Steel	Reyco, Spicer
R307522	1"	1 3/4"	2 11/16"	4	Torque Arm	Urethane/Steel	Reyco
R301038	1"	1 3/4"	3 1/8"	4	Torque Arm	Rubber/Steel	Hutch
N/A	1"	1 3/4"	3 1/8"	4	Torque Arm	Urethane/Steel	Hutch

N/A = No Longer Available
 XpresswayPlus.ArvinMeritor.com

(Continued on next page)

SUSPENSION BUSHINGS

Select Type, Then Listed By I.D.

TYPE 1 One-Piece  <p>One bushing is required to service one component or one component end.</p>	TYPE 2 Straight Two-Piece  <p>Two bushings are required to service one component or component end.</p>	TYPE 3 Straddle Mount  <p>Length on guide is center-to-center.</p>	TYPE 4 Tapered Two-Piece  <p>Two bushings are required to service one component or component end.</p>	TYPE 5 Tapered Stud  <p>Length on guide is stud shoulder length; I.D. is thread size.</p>	TYPE 6 Hendrickson Center Bushing  <p>I.D. is not measured on guide (left blank), small O.D. is measured first.</p>
--	---	---	---	--	--







MERITOR NO.	I.D.	O.D.	LENGTH	TYPE	END COMPONENT	MATERIAL	APPLICATION / NOTES
R301964	1"	1 13/16"	2 7/8"	4	Torque Arm	Rubber/Steel	Reyco/Eccentric I.D.
R308689	1"	1 13/16"	2 7/8"	4	Torque Arm	Urethane/Steel	Reyco/Eccentric I.D.
R301160	1"	1 13/16"	3"	4	Torque Arm	Rubber/Steel	Reyco 21B
R307523	1"	1 13/16"	3"	4	Torque Arm	Urethane/Steel	Reyco 21B
R307529	1"	1 7/8"	1"	4	Shock	Urethane	Multiple
R30927	1 1/4"	2 3/16"	2 3/8"	4	Torque Arm	Rubber/Steel	Fruehauf, Hutch
R307433	1 1/4"	2 3/16"	2 3/8"	4	Torque Arm	Urethane/Steel	Fruehauf, Hutch
R301159	1 5/8"	3 3/8"	4 13/32"	4	Equalizer	Rubber/Steel	Reyco 21B
R308653	1 5/8"	3 3/8"	4 13/32"	4	Equalizer	Urethane/Steel	Reyco 21B
R301020	2"	3 1/2"	4 3/8"	4	Equalizer	Rubber/Steel	Fruehauf
R307432	2"	3 1/2"	4 3/8"	4	Equalizer	Urethane/Steel	Fruehauf
R30813	2 3/8"	4 1/16"	2 9/16"	4	Equalizer	Rubber	Reyco 21
R307457	3"	5 21/32"	2 7/8"	4	Suspension	Urethane	Hyster
R302227	1 1/8"-12	2 17/32"	2"	5	Torque Arm	Rubber/Steel	Multiple
R302916	1 1/8"-12	2 3/4"	2"	5	Torque Arm	Rubber/Steel	Multiple
R309518	1 1/4"-12	2 3/4"	1 7/8"	5	Torque Arm	Urethane/Steel	Multiple
R302815	1 1/4"-12	2 3/4"	1 7/8"	5	Torque Arm	Rubber/Steel	Multiple
R302228	1 1/4"-12	2 3/4"	3"	5	Torque Arm	Rubber/Steel	Multiple
R308651	1 1/4"-12	2 3/4"	3"	5	Torque Arm	Urethane/Steel	Multiple
R3013965	1 7/8"	3 1/4"	7"	5	Torque Rod	Rubber/Steel	Hendrickson - Bonded bushing - covalent chemical bonding
R3013968	2"	2 3/4"	6 5/8"	5	Torque Rod	Rubber/Steel	Hendrickson
R3013969	2"	3 1/4"	6 5/8"	5	Torque Rod	Rubber/Steel	Hendrickson - Bonded bushing - covalent chemical bonding
R3013972	3"	3 1/4"	8 3/4"	5	Torque Rod	Rubber/Steel	Hendrickson - Bonded bushing - covalent chemical bonding
R301338	1 5/16"	2 3/4" SM 3 5/8" LG	12"	6	Center Beam	Rubber/Steel	Hendrickson
R301594	1 5/16"	2 3/4" SM 3 5/8" LG	12"	6	Center Beam	Rubber/Steel	Hendrickson
R309679	2 7/16"	3 1/2" SM 4 3/4" LG	12"	6	Center Beam	Rubber/Steel	Hendrickson
R301339	2 7/16"	3 1/2" SM 4 3/4" LG	12"	6	Center Beam	Rubber/Steel	Hendrickson
R301595	2 7/16"	3 1/2" SM 4 3/4" LG	12"	6	Center Beam	Rubber/Steel	Hendrickson
R306979	2 7/16"	3 1/2" SM 4 3/4" LG	12"	6	Center Beam	Rubber/Steel	Hendrickson High Confinement
R306980	2 7/16"	3 1/2" SM 4 3/4" LG	12"	6	Center Beam	Rubber/Steel	Hendrickson High Confinement
R309510	2 7/16"	3 1/2" SM 4 3/4" LG	12"	6	Center Beam	Urethane/Steel	Hendrickson

N/A = No Longer Available

(Continued on next page)

SUSPENSION BUSHINGS

Select Type, Then Listed By I.D.


TYPE 1 One Piece  One bushing is required to service one component or one component end.	TYPE 2 Straight Two Piece  Two bushings are required to service one component or component end.	TYPE 3 Straddle Mount  Length on guide is center to center.	TYPE 4 Tapered Two Piece  Two bushings are required to service one component or component end.	TYPE 5 Tapered Stud  Length on guide is stud shoulder length; I.D. is thread size.	TYPE 6 Hendrickson Center Bushing  I.D. is not measured on guide (left blank), small O.D. is measured first.
--	---	---	--	--	--

MERITOR NO.	I.D.	O.D.	LENGTH	TYPE	END COMPONENT	MATERIAL	APPLICATION / NOTES
R309588	2 7/16"	3 1/2" SM 4 3/4" LG	12"	6	Center Beam	Steel	Hendrickson
R302553	4"	4" SM 5 1/2" LG	14 5/8"	6	Center Beam	Rubber/Steel	Hendrickson

AIR VALVES

AIR GAUGE

2 1/2" Dia
0-200 PSI



1/4" P.T.

MERITOR NO.	REPLACES
R304332	Neway 900 54 280

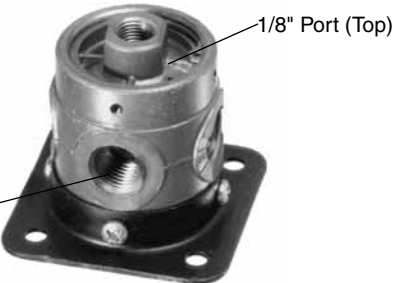
MANUAL VALVE



MERITOR NO.	REPLACES
R304326	Neway 900 54 088

PILOT VALVE

Air Operated



1/8" Port (Top)

Exhaust

All Side Ports 1/4"

MERITOR NO.	REPLACES
R304328	Neway 900 54 079

QUICK RELEASE VALVE



1/4" Ports

MERITOR NO.	REPLACES
R304330A R304330A2	Neway 900 54 096

ELECTRIC VALVE (Normally Closed)



MERITOR NO.	REPLACES
R304325	Neway 900 54 074

PRESSURE REGULATOR VALVE



1/4" All Ports

MERITOR NO.	REPLACES
R304327	Neway 900 54 077

HAND VALVE

Handle 900-54-083
S.O.S. only



1/4" Ports

MERITOR NO.	REPLACES
R304329	Neway 900 54 082

ELECTRIC VALVE (Normally Open)



1/4" Ports

MERITOR NO.	REPLACES
R304331	Neway 900 54 075

2

AIR VALVES

PRESSURE PROTECTION VALVE



1/4" P.T.
Includes Internal Filter

MERITOR NO.	REPLACES	FILTER
R304324	Neway 900 54 001	900 54 466
	905 54 107	SRK-143
	Reyco 12915-03	

PRESSURE PROTECTION VALVE



1/4" Hole

MERITOR NO.	REPLACES
R303762	Hendrickson 30272-000 Bendix 277822

HEIGHT CONTROL VALVES

HADLEY DELAY TYPE



MERITOR NO.	REPLACES	GENERAL INFORMATION
R309623	Hadley H00450CE	Use R309625 Linkage Assembly

HADLEY DELAY TYPE WITH INTEGRAL DUMP VALVE



Meritor M311501

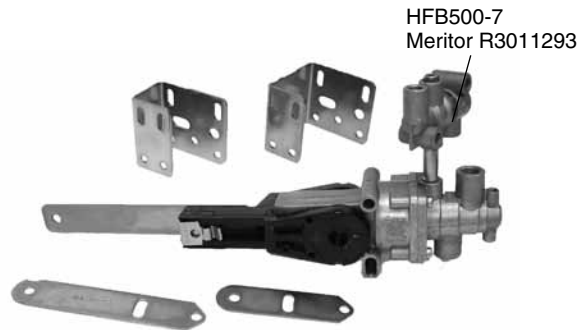
MERITOR NO.	REPLACES	GENERAL INFORMATION
R309624	Hadley H00500C	Eliminates need for separate dump valve. Tight dead band and fast fill and exhaust rates. Use R309625 Linkage Assembly

HADLEY LEVELING VALVE LINK ASSEMBLY



MERITOR NO.	REPLACES	GENERAL INFORMATION
R309625	Hadley HPB450-3	Use with R309623 and R309624 Valves. Length range is 3 5/8" to 19 5/8" MOS2 filled nylon bushing in ends and nickel plated shoulder bolts provide longer life.

HADLEY DELAY With Automatic Integral Dump Valve



HFB500-7
Meritor R3011293

M311500 = R3011293

MERITOR NO.	REPLACES	GENERAL INFORMATION
R3011293	Hadley H00500CA	Eliminates need for separate dump valve. Tight dead band and fast fill and exhaust rates. Use R309625 Linkage Assembly

HEIGHT CONTROL VALVES

HADLEY UNIVERSAL VALVE FOR AIR CAB SUSPENSION SYSTEM



MERITOR NO.	REPLACES	GENERAL INFORMATION
R3011464	Hadley H00600P	Low cost, compact size. Complete with Valve Link Kit.

HENDRICKSON TRUCK BARKSDALE VALVE



MERITOR NO.	REPLACES	FOR MODEL	GENERAL INFORMATION
R3011494	Hendrickson 60826-000	HA	Use R303760A Leveling Valve Link Assembly

HENDRICKSON TRUCK (Barksdale) With Automatic Integral Dump Valve



4 Ports & 1 Dump

MERITOR NO.	REPLACES	GENERAL INFORMATION
R3011870	Hendrickson 57977-000	Eliminates need for separate dump valve. Arm is unique to Hendrickson Truck Suspensions

HADLEY WITH INTEGRAL DUMP VALVE To replace Barksdale valves



Substitute for 57977 (R3011870)

MERITOR NO.	REPLACES	GENERAL INFORMATION
R3011465	Hadley H00500CB	Contains correct mounting bracket, lever, and fittings to replace Barksdale Valves on most Peterbilts.

HENDRICKSON BARKSDALE VALVE

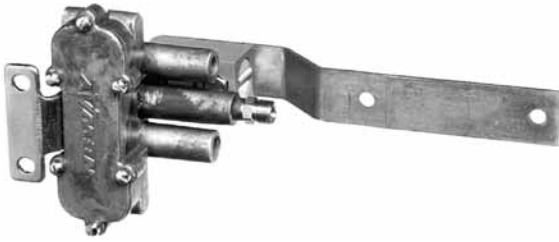


MERITOR NO.	REPLACES	GENERAL INFORMATION
R3011855	Hendrickson VS-227	Standard OE on all INTRAAX and VANTRAAX trailer air suspensions. Improved response and exhaust during loading and unloading.

2

HEIGHT CONTROL VALVES

NEWAY CONTROLLED REPOSE HEIGHT CONTROL VALVE



MERITOR NO.	REPLACES	DUMP VALVE INCLUDED	FITTINGS PROVIDED	GENERAL INFORMATION
R304323	Neway 900 54 007	No	1/4"	Uses R307852 Leveling Valve Link Assembly

NEWAY CONTROLLED REPOSE HEIGHT CONTROL VALVE



MERITOR NO.	REPLACES	DUMP VALVE INCLUDED	FITTINGS PROVIDED	GENERAL INFORMATION
R3013910	Neway 905 54 147	No	Metric adapter (1/8" NPT to M10 x 1)	Uses R307852 Leveling Valve Link Assembly

NEWAY CONTROLLED REPOSE HEIGHT CONTROL VALVE



MERITOR NO.	REPLACES	DUMP VALVE INCLUDED	FITTINGS PROVIDED	GENERAL INFORMATION
R3013912	Neway 905 54 334	Yes	1/4" & 3/8"	Uses R307852 Leveling Valve Link Assembly Dump normally open

NEWAY CONTROLLED REPOSE HEIGHT CONTROL VALVE



MERITOR NO.	REPLACES	DUMP VALVE INCLUDED	FITTINGS PROVIDED	GENERAL INFORMATION
R3013909	Neway 905 54 114	No	No fittings	Uses R307852 Leveling Valve Link Assembly

NEWAY CONTROLLED REPOSE HEIGHT CONTROL VALVE



MERITOR NO.	REPLACES	DUMP VALVE INCLUDED	FITTINGS PROVIDED	GENERAL INFORMATION
R3013911	Neway 905 54 183	No	3/8"	Uses R307852 Leveling Valve Link Assembly

NEWAY CONTROLLED REPOSE HEIGHT CONTROL VALVE



MERITOR NO.	REPLACES	DUMP VALVE INCLUDED	FITTINGS PROVIDED	GENERAL INFORMATION
R3013913	Neway 905 54 648	Yes	1/4" & 3/8"	Uses R307852 Leveling Valve Link Assembly Dump normally closed

2

HEIGHT CONTROL VALVES

NEWAY DUMP VALVE FOR CR HEIGHT CONTROL VALVE



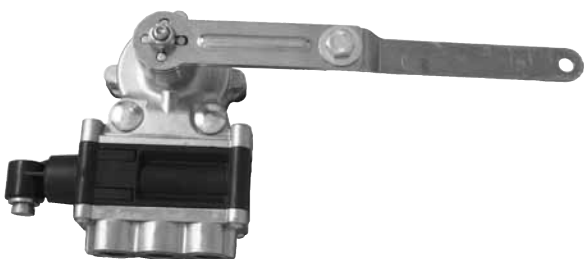
MERITOR NO.	REPLACES	ALL PORTS	FITTINGS PROVIDED	GENERAL INFORMATION
R3013914	Neway 905 54 335	1/8" NPT	1/4" & 3/8"	Normally closed

NEWAY IMMEDIATE RESPONSE HEIGHT CONTROL VALVE



MERITOR NO.	REPLACES	DUMP VALVE INCLUDED	FITTINGS PROVIDED	GENERAL INFORMATION
R3013916	Neway 905 55 106	Yes	1/4" NPT	Type EGP

NEWAY PRECISION RESPONSE HEIGHT CONTROL VALVE



PTC (Push to connect)

MERITOR NO.	REPLACES	DUMP VALVE INCLUDED	PORTS
R3013918	Neway 905 54 950	Yes	Pilot Port 1/4"PTC All Other Ports 1/4" NPT

NEWAY DUMP VALVE FOR CR HEIGHT CONTROL VALVE



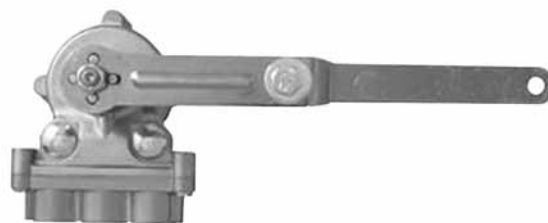
MERITOR NO.	REPLACES	ALL PORTS	FITTINGS PROVIDED	GENERAL INFORMATION
R3013915	Neway 905 54 902	1/8" NPT	1/4" & 3/8"	Normally opened

NEWAY PRECISION RESPONSE HEIGHT CONTROL VALVE



MERITOR NO.	REPLACES	DUMP VALVE INCLUDED	PORTS
R3013917	Neway 905 54 945	No	All Ports 1/4" NPT

NEWAY PRECISION RESPONSE HEIGHT CONTROL VALVE



MERITOR NO.	REPLACES	DUMP VALVE INCLUDED	PORTS
R3013919	Neway 905 55 085	No	M12 x 1.5

HEIGHT CONTROL VALVES

NEWAY PRECISION RESPONSE HEIGHT CONTROL VALVE



PTC (Push to connect)

MERITOR NO.	REPLACES	DUMP VALVE INCLUDED	PORTS
R3013920	Neway 905 55 273	No	All Ports 3/8" PTC

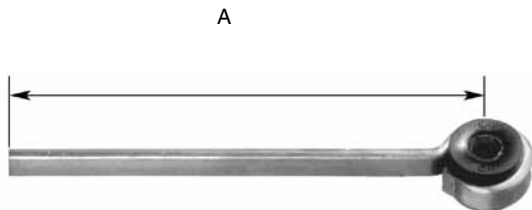
NEWAY IMMEDIATE RESPONSE HEIGHT CONTROL VALVE



Includes linkage Kit R309839

MERITOR NO.	REPLACES	DUMP VALVE INCLUDED	PORTS
R3013922	Neway 905 55 105, 905 54 241	No	1/4" NPT

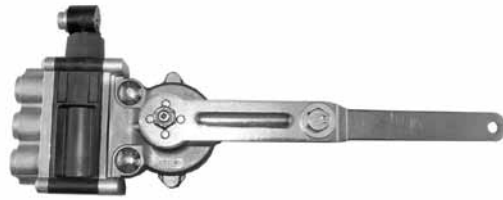
NEWAY LINK HALF



Use with R3013922
R3012525 and R308930A Valves

MERITOR NO.	REPLACES	A	I.D.
R304333	Neway 900 54 188	8"	1/4"
R304334	Neway 900 54 460	14"	1/4"

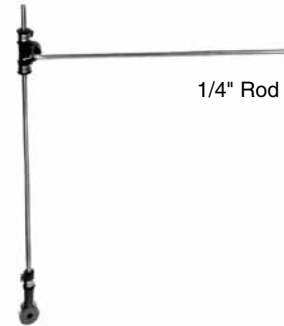
NEWAY PRECISION RESPONSE HEIGHT CONTROL VALVE



PTC (Push to connect)


MERITOR NO.	REPLACES	DUMP VALVE INCLUDED	PORTS
R3013921	Neway 905 55 274	Yes	Pilot Port 1/4" PTC All Other Ports 3/8" NPT

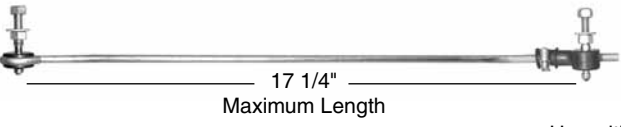
LINKAGE




MERITOR NO.	REPLACES	APPLICATION & GENERAL INFORMATION
R309838	Neway SRK-205	Linkage kit to be used with Neway valve 905-55-105 and Midland valve KN27000

HEIGHT CONTROL VALVES

LEVELING VALVE LINK ASSEMBLY		
 <p>13 3/4" Long C/C w/ Ends Installed</p>		
MERITOR NO.	REPLACES	GENERAL INFORMATION
R307852	Neway SRK-168 Peterbilt 03-06224 Haldex 48100-225	Use for applications requiring vertical mounting only.

LEVELING VALVE LINK ASSEMBLY		
 <p>17 1/4" Maximum Length</p> <p>Use with R3011494 Valves</p>		
MERITOR NO.	REPLACES	GENERAL INFORMATION
R303760A	Hendrickson 58994-021	Adjustable Length

 <p>RIDEWELL - VERTICAL MOUNT DELAY (Includes Linkage Bracket)</p>	MERITOR NO.	REPLACES	FOR MODEL
	R3012525	Ridewell 124723B205 124723B204 Reyco 23329-02	Use for applications requiring vertical mounting only.

2

HEIGHT CONTROL VALVES



MERITOR NO.	APPLICATION INFORMATION	COMMENTS
KIT11308	Meritor RHP11 and RPH55	With Automatic Dump Valve. Linkage assembly provided with instructions. Linkage rod is cut to fit various ride heights.



MERITOR NO.	APPLICATION INFORMATION	COMMENTS
KIT11309	Meritor RHP	Without Automatic Dump Valve. Linkage assembly provided with instructions. Linkage rod is cut to fit various ride heights.



MERITOR NO.	APPLICATION INFORMATION	COMMENTS
KIT11332	Meritor RideSentry MPA	With Automatic Dump Valve. Linkage assembly provided with instructions. Linkage rod is cut to fit various ride heights.



MERITOR NO.	APPLICATION INFORMATION	COMMENTS
KIT11333	Meritor RideSentry MPA	Without Automatic Dump Valve. Linkage assembly provided with instructions. Linkage rod is cut to fit various ride heights.

2

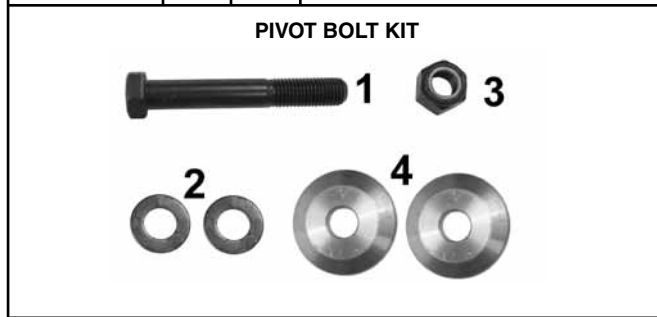
BUSHING AND BOLT HARDWARE



MERITOR NO.	ITEM	QTY.	DESCRIPTION
KIT11300	1	4	Pivot Bolt - 7/8"-9 x 6" Grade A-490
	2	8	Hardened Flat Washer - 7/8" ID
	3	4	Torque Nut, 7/8"-9, Grade C
	4	8	Trust Washer
	5	4	Bushing
	6	2	Pivot Bolt Washer, 3"OD x 7/8" ID x 1/2" Thick
	7	1	P80 Lube 4 oz.



MERITOR NO.	ITEM	QTY.	DESCRIPTION
KIT11302	1	4	Capscrew
	2	8	Flat Washer
	3	4	Nut - Torque
	4	8	Thrust Washer
	5	2	Align Washer



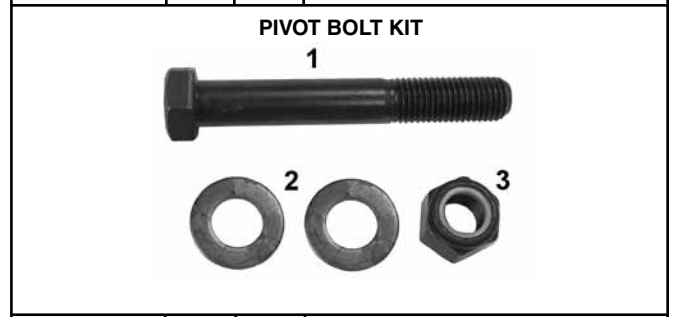
MERITOR NO.	ITEM	QTY.	DESCRIPTION
KIT11306	1	1	Pivot Bolt - 7/8"-9 x 6", Grade A-490
	2	2	Hardened Flat Washer - 7/8" ID
	3	1	Torque Nut, 7/8"-9, Grace C
	4	2	Pivot Bolt Washer, 3"OD x 7/8" ID x 1/2" Thick



MERITOR NO.	ITEM	QTY.	DESCRIPTION
KIT11301	1	4	Capscrew
	2	8	Thrust Washer
	3	1	Washer - Outer
	4	1	Washer - Inner
	5	4	Nut - Torque
	6	8	Flat Washer
	7	4	Bushing-UCA
	8	1	P80 Lube 4 oz.

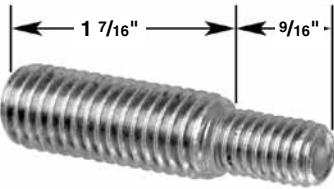


MERITOR NO.	ITEM	QTY.	DESCRIPTION
KIT11304	1	1	Washer - Outer
	2	1	Washer - Inner




MERITOR NO.	ITEM	QTY.	DESCRIPTION
KIT11307	1	1	Pivot Bolt - 7/8"-9 x 6", Grade A-490
	2	2	Hardened Flat Washer - 7/8" ID
	3	1	Torque Nut, 7/8"-9, Grace C

BUSHING AND BOLT HARDWARE

RIDEWELL - VERTICAL MOUNT DELAY (Includes Linkage Bracket)	MERITOR NO.	APPLICATION & GENERAL INFORMATION
<p style="text-align: center;">SHOULDER STUD</p> 	R304597	<p>If the air spring you are replacing has studs attached to the top or bottom plates and the replacement Meritor Air Spring is identical except that it has recessed blind taps, use the optional shoulder studs R304597. Screw them into the plate using Locktite #271 or an equivalent material as a thread lubricant for installation and to insure that the studs do not loosen in service.</p> <p>If the user wishes to use cap screws or his own bolts for attaching air springs with recessed, blind nuts to his suspension, caution him that the screw must have 3/8"-16 threads and must extend no more than .562 into the air spring. If long screws are forced into the blind taps, the new air spring will leak and cannot be satisfactorily repaired.</p> <p><i>Springs with damaged blind taps are not considered for warranty claims.</i></p>

2

BUSHING TOOL	
MERITOR NO.	APPLICATION & GENERAL INFORMATION
	<p>Bushing Installation Tool. For the newer one piece design bushings in the RHP11 upper control arms.</p>
A3256H1152	

MERITOR QUICK REFERENCE EQUALIZER TO SUSPENSION MODEL GUIDE

E.S.P. GUIDE

Easy Search for Parts

PURPOSE:

Fleet users do not always know the actual brand of the 4-Spring suspension on their truck or trailer. This problem can often be overcome by visually looking at the style and shape of the equalizer either at the parts counter or with the suspension still installed on the vehicle.

HOW TO USE THIS GUIDE:

The equalizers are arranged on page 2-66 by overall length and on pages 2-67 thru 2-73 by suspension manufacturer. Simply:

1. Measure overall length and refer to chart on page 2-66.
2. Measure bushing I.D. or equalizer shaft O.D. if required and refer to page 2-66.
3. Refer to E.S.P. Guide photograph to visually compare if more than one of same length.
4. Turn to the correct page of the 700D Suspension catalog to identify bushings, equalizer shaft or other parts required to do a complete suspension repair.

2

S.O.S. Special Order Service

Can't find it?

Trouble sourcing products?

Need assistance?

Let Meritor's Special Order Service (S.O.S.) help.

Meritor's position as the market leader provides you access to a comprehensive array of truck parts products from the industries leading manufactures. Through Meritor, these entire product lines are available to you just by placing a phone call to Meritor's **S.O.S** Department.

MERITOR QUICK REFERENCE EQUALIZER TO SUSPENSION MODEL GUIDE

OVERALL LENGTH	SHAFT O.D. AND BUSHING I.D.	SUSPENSION MAKE/MODEL	CATALOG 700D PAGE NO.	EQUALIZER NO.
13 1/2"	2 1/4"	Freightliner FH34A	1-44, 2-67	R307700
14"	1"	Reyco Transpro 86/88, Cast	1-553, 2-72	R309574
	2"	Dayton/Navistar with 3" Wide Springs	1-29, 2-67	R303081
14 1/4"	1"	Navistar - 3 1/2" Wide Springs	1-330, 2-70	R303783
15"	1"	Binkley SP900 Trailer	1-4, 2-67	R309305
15 3/4"	1"	Spicer 55	1-596, 2-73	R303012
16"	3/4"	Trailmobile with 3 1/2" Wide Springs	1-602, 2-73	R303383
	1 1/4"	Reyco 100 Series Ford only Pre-1984	1-552, 2-71	R302844
	1 1/4"	Reyco 100 Series GM/Ford 1984 up	1-552, 2-71	R302845
	1 1/2"	Reyco 100 Series Standard Pre-1984	1-552, 2-71	R302843
	1 1/2"	Reyco 100 Series Standard Pre-1985	1-552, 2-71	R303978
	2"	Dayton "Truckmaster"/"Tri-lite"	1-29, 2-67	R303080
	2"	Freightliner FH34	1-42, 2-67	R303917
16 3/8"	1"	Fruehauf F2, J2, NF-2	1-68, 2-68	R309366
	2"	Fruehauf F2, J2	1-66, 2-68	R308931
16 1/2"	3/4"	Hutch CH-7600/7700, CH-7700US 2-Bolt Cast	1-263, 2-69	R302889
	3/4"	Hutch H-7600/7700, H-7700US - 2-Bolt	1-265, 2-69	R302781
	3/4"	Hutch H-7600/7700 2-Bolt Fabricated	1-263, 2-69	R302781A
	3/4"	Hutch H-7600/7700, H-7700US - 2-Bolt	1-265, 2-69	R309570
	3/4"	Hutch H-7600/7700, H-7700US - 2-Bolt	1-265, 2-69	R307918
	1"	Reyco Transpro 86/88	1-552, 2-71	R304813
	1"	Reyco Transpro 88, Cast	1-552, 2-72	R3010250
	1 1/8"	Hutch H-9600/9700 1-Bolt Fabricated	1-268, 2-69	R307532
	1 1/8"	Hutch CH-9600/9700, CH-9700US 1-Bolt Cast	1-263, 2-69	R309471
	1 1/8"	Hutch H-9600, H-9700, H-9700US- 1-Bolt	1-263, 2-70	R309567
	1 1/8"	Hutch H-9700 and CH-9700, 1-Bolt	1-263, 2-70	R3011452
	1 1/8"	Hutch H-9600, H-9700, H-9700US - 1-Bolt Fabricated	1-263, 2-70	R307532
	2"	Trailmobile Short Rocker	1-602, 2-73	R303398
17"	1"	Hendrickson E4-340/360/380	1-214, 2-68	R305265
	1"	Hendrickson E4-400	1-214, 2-68	R305265
	2"	Fruehauf F2, J2 Fabricated Old Style	2-67	R302831
17 1/8"	2 5/8"	Hutch 2200 Truck/Tractor	1-263, 2-69	R302890
17 1/4"	1"	Peterbilt "Quadraflex"	1-500, 2-70	R307869
17 1/2"	1 5/8 "	Reyco 21B-44" Axle Spacing	1-552, 2-70	R3010768A
	2"	Fruehauf F2, F3 Cast	1-66, 2-68	R302830
18"	1 1/4 "	Reyco 83-50" Axle Spacing	1-553, 2-72	R307709
	1 5/8 "	Reyco 21B-49" Axle Spacing	1-552, 2-70	R302846A
19"	1"	Hendrickson HFS-360	1-218, 2-68	R309402
	1"	Hendrickson HFS-400	1-218, 2-68	R309402
24"	1 1/4"	Reyco 74B-54" Axle Spacing	1-553, 2-73	R309586
26 1/2"	1 1/8"	Hutch H/CH9700 TWS-61" Spacing	1-263, 2-69	R309489
30"	1 5/8"	Reyco 21B-60" Axle Spacing	1-553, 2-72	R305245
	2 1/4"	Reyco 83-60" Axle Spacing	1-553, 2-72	R307710
38 1/2"	1 1/8"	Hutch H/CH9700 TWS-73" Spacing	1-263, 2-69	R309330
43"	1 5/8"	Reyco 21B-72" Axle Spacing	1-553, 2-72	R305246
75"	1 1/8"	Hutch H/CH9700 TWS-109" Spacing	1-263, 2-70	R309491
87"	1 1/8"	Hutch H/CH9700 TWS-121" Spacing	1-263, 2-70	R309492

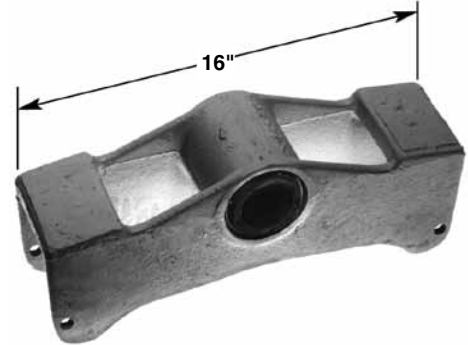
MERITOR QUICK REFERENCE EQUALIZER TO SUSPENSION MODEL GUIDE

BINKLEY - SP900 "DURALITE"
Page 1-3, 1-4



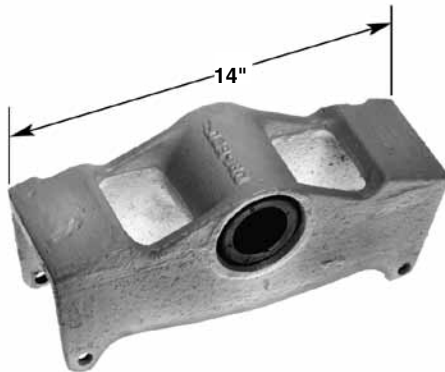
R309305

DAYTON "TRUCKMASTER" - "TRI-LITE"
Page 1-25, 1-28, & 1-29



R303080

DAYTON (NAVISTAR ONLY)
Page 1-27, 1-29



R303081

FREIGHTLINER - FH34
Page 1-35, 1-42



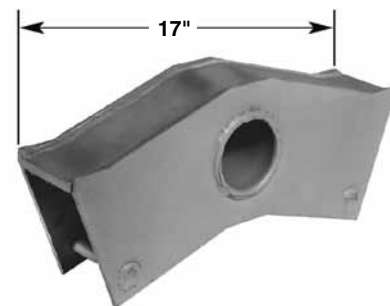
R303917

FREIGHTLINER - FH34A
Page 1-36, 1-44



R307700

FRUEHAUF (FABRICATED) DUCTILE IRON - F2, J2
Pages 1-49, 1-51, 1-57
Can Use R308931



R302831

2

MERITOR QUICK REFERENCE EQUALIZER TO SUSPENSION MODEL GUIDE

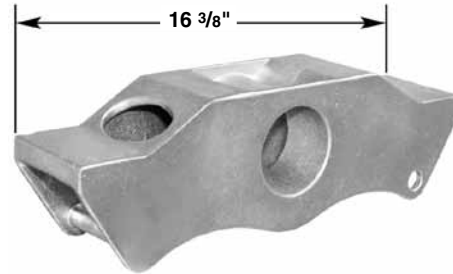
FRUEHAUF - NF-2, F2 & J2
Page 1-49, 1-51, 1-57, 1-61, 1-66



One Piece Bushing

R309366

FRUEHAUF (CAST) DUCTILE IRON - F2, J2
Pages 1-49, 1-51, 1-57, & 1-66
Will Replace R302831



Two Piece Bushing
Single and Three Leaf Springs

R308931

2

FRUEHAUF (CAST) - F2
Page 1-49, 1-51, & 1-66
Will Replace R302831



Multi Leaf Springs

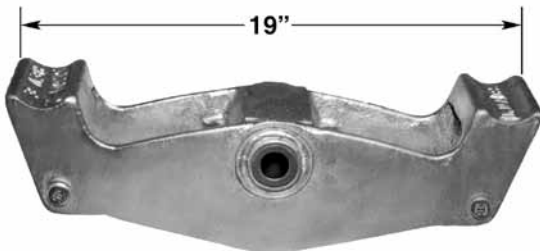
R302830

HENDRICKSON - E4-340/360/380/400
Page 1-115, 1-214



R305265

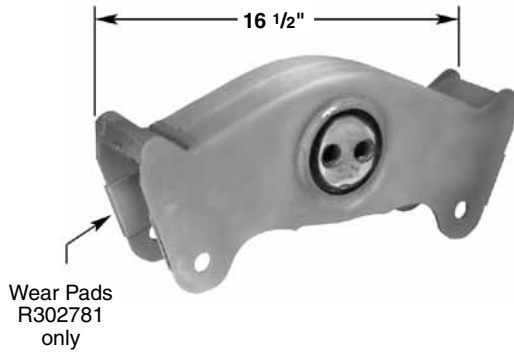
HENDRICKSON - HFS-360/400
Page 1-127 & 1-218



R309402

MERITOR QUICK REFERENCE EQUALIZER TO SUSPENSION MODEL GUIDE

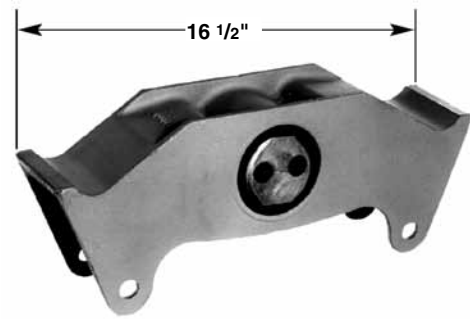
HUTCHENS (FABRICATED) - H-7600/7700, H-7700US
Page 1-77, 1-78, 1-245, 1-247, 1-257 & 1-263



2-Bolt Equalizer Shaft

R302781, R302781A, R307918, & R309570

HUTCHENS (CAST) - CH-7600/7700, CH-7700US, & CH-9700
Page 1-245, 1-247, 1-251 & 1-263
Will Replace R302781A & R302781A



2-Bolt Equalizer Shaft

R302889

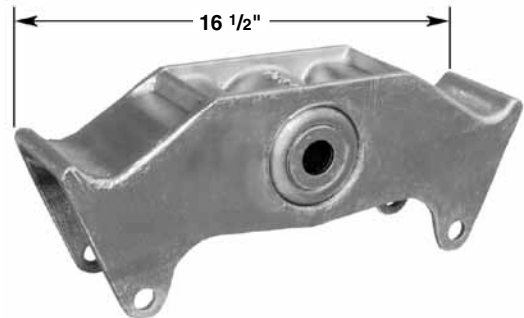
HUTCHENS (FABRICATED) - H-9600/9700
Page 1-260 & 1-268



Single Bolt Equalizer Shaft

R307532

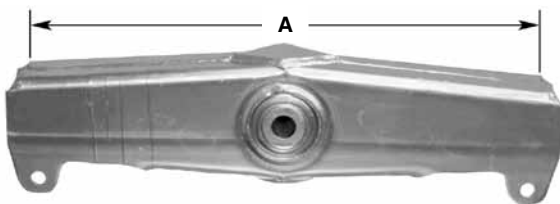
HUTCHENS (CAST) - CH-9600/9700, CH-9700US
Page 1-245, 1-247, 1-251 & 1-263
Will Replace R307532



Single Bolt Equalizer Shaft

R309471

HUTCHENS (FABRICATED)
H/CH-9700 TWS - 61", 73" WIDESPREAD
Page 1-255 & 1-263



R309330 (A = 38 1/2")
R309489 (A = 26 1/2")

HUTCHENS - H-2200 and H-2300
Page 1-242 & 1-263

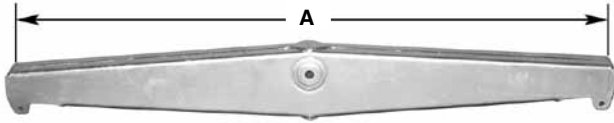


R302890

2

MERITOR QUICK REFERENCE EQUALIZER TO SUSPENSION MODEL GUIDE

HUTCHENS - H/CH-9700 TWS - 109", 121" WIDESPREAD
Page 1-257 & 1-263



R309491 (A = 75")
R309492 (A = 87")

NAVISTAR CORPORATE
Page 1-327 & 1-330



R303783

2

HUTCHENS
H-9600/9700 and H-9700US
Pages 1-257 and 1-263



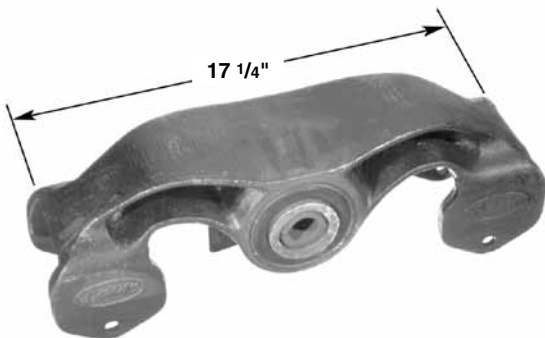
R307532, R309567, & R3011452

REYCO - 21B TRAILER
Page 1-509 & 1-552



R302846A

PETERBILT "QUADRAFLEX"
Page 1-491 & 1-500



R307869

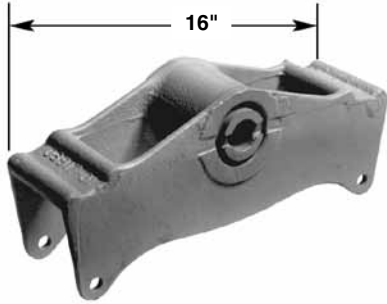
REYCO - 21B SERIES
Heavy Duty with Bump Stop
Pages 1-509 and 1-552



R3010768A

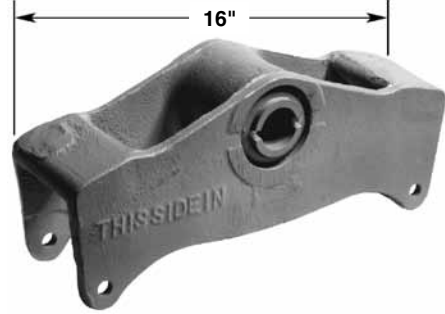
MERITOR QUICK REFERENCE EQUALIZER TO SUSPENSION MODEL GUIDE

REYCO (STANDARD) - 101, 101A, 102, 102W SERIES
Pages 1-535 thru 1-539 & 1-552



R302843 - Pre-1984 (with Slotted bushing)
R303978 - 1984 thru current (No Slots)

REYCO - 101, 101A, 102, 102W SERIES
Pages 1-535 thru 1-539 & 1-552
Can Use R302845



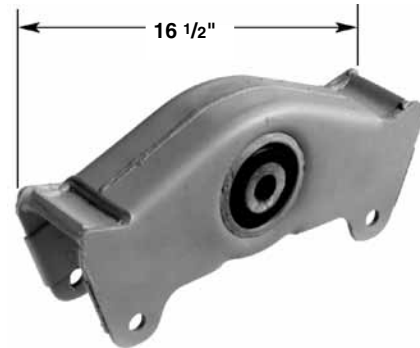
Ford Pre-1984 (With Slotted Bushing)
R302844

REYCO - 101, 101A, 102, 102W SERIES
Pages 1-535 thru 1-539 & 1-552
Will Replace R302844



GMC All, Ford - 1984 thru current
R302845

REYCO TRANSPRO (FABRICATED) - 86/88 SERIES
Page 1-549 & 1-552

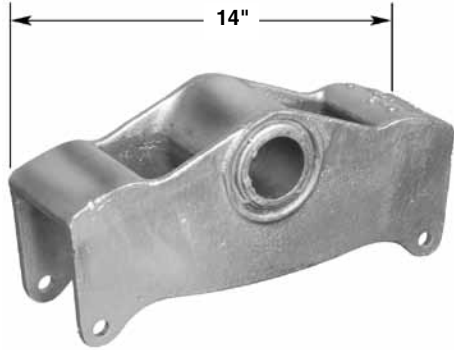


With 1" Bushing I.D.
R304813

2

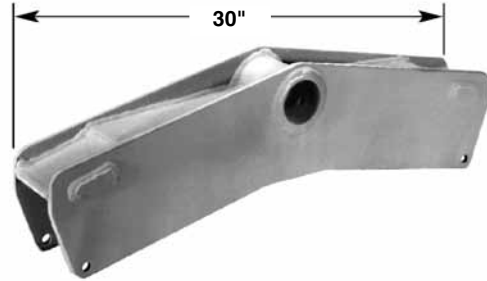
MERITOR QUICK REFERENCE EQUALIZER TO SUSPENSION MODEL GUIDE

REYCO TRANSPRO (CAST) - 86/88 SERIES
Page 1-553



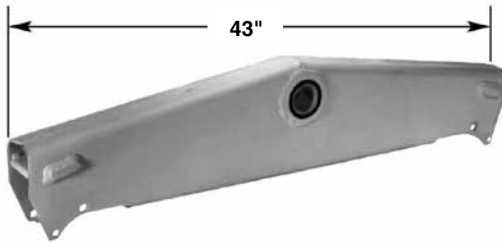
R309574

REYCO 21B SERIES - 60" WIDESPREAD
Page 1-513 & 1-553



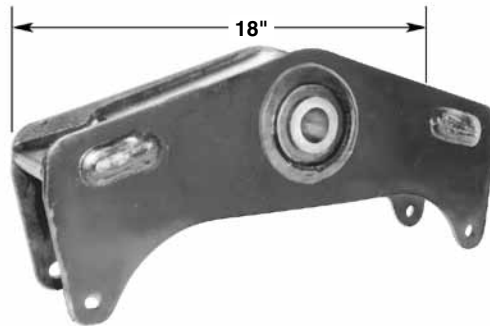
R305245

REYCO 21B SERIES - 72" WIDESPREAD
Page 1-513, 1-521, & 1-553



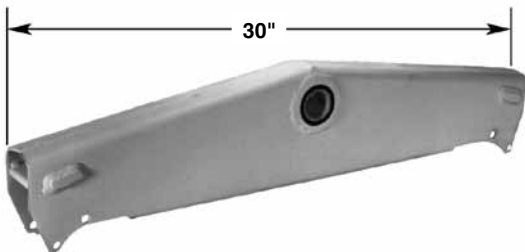
R305246

REYCO 83 SERIES - 50" WIDESPREAD
Page 1-531 & 1-553



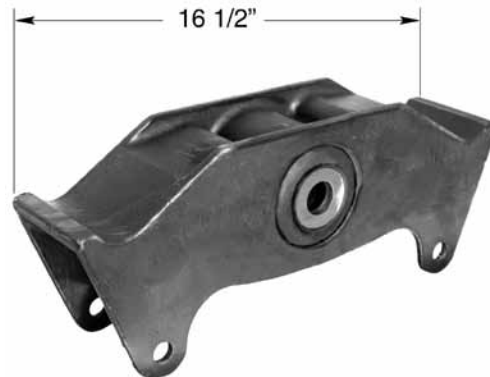
R307709

**REYCO 83 SERIES 60" WIDESPREAD and
REYCO 21B SERIES - 60" WIDESPREAD**
Page 1-513, 1-531, & 1-553



R307710

REYCO TRANSPRO 86/88 SERIES
Pages 1-549 and 1-552

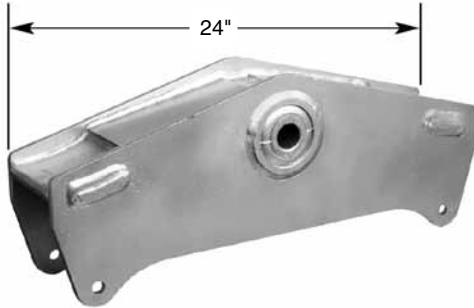


R3010250

2

MERITOR QUICK REFERENCE EQUALIZER TO SUSPENSION MODEL GUIDE

REYCO 74B SERIES - 54"
Page 1-525 & 1-553



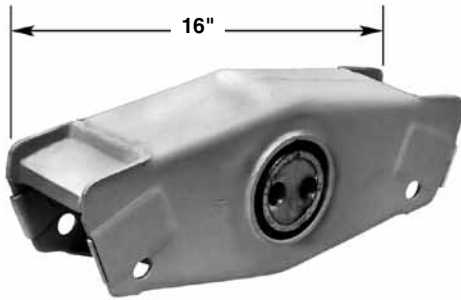
R309586

SPICER (LATE) - 55 SERIES
Page 1-593 & 1-596



R303012

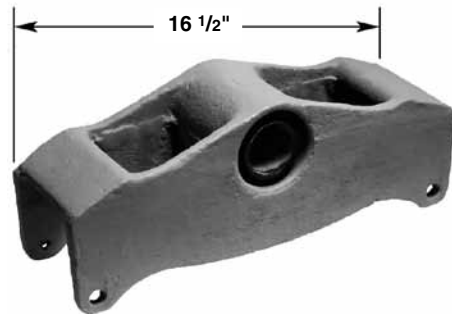
TRAILMOBILE (FABRICATED)
Page 1-600 & 1-602



With 3 1/2" Wide Springs

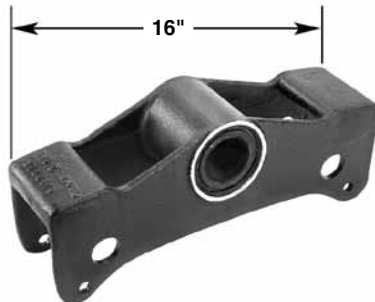
R303383

TRAILMOBILE (SHORT ROCKER - CAST)
Page 1-601 & 1-602



R303398

VOLVO FOUR SPRING
Page 1-607, 1-609, & 1-614



With Steel Hangers

R303844

2

NOTES

2



MERITOR[®]

an **ArvinMeritor** brand



SHOCK ABSORBERS **SECTION THREE**

SHOCK ABSORBER BUSHINGS & INSTALLATION KITS



R30401754



R408684

For All Makes of Shock Absorbers with two Piece Bushing Eyes

MERITOR PART NO.	DESCRIPTION	MATERIAL	I.D.	O.D.	MOUNTING CODES	
					GABRIEL	MONROE
R30402158	Bushing	Rubber	5/8"	1 5/32"	EB1	L1
R30401011	Bushing	Rubber	3/4"	1 7/16"	EB2	L3
R307528	Bushing	Polyurethane	3/4"	1 7/16"	EB2	L3
R304403	Bushing	Rubber/Steel	3/4"	1 17/32"	EB2	L3
R308684	Bushing	Poly./Steel	3/4"	1 17/32"	EB2	L3
R30140149	(4) R30401011	Rubber	3/4"	1 7/16"	EB2	L3
R30401754	Bushing	Rubber	1"	1 7/8"	EB3	L4
R307529	Bushing	Polyurethane	1"	1 7/8"	EB3	L4
R30140115	(4) R30401754	Rubber	1"	1 7/8"	EB3	L4

3



R307474

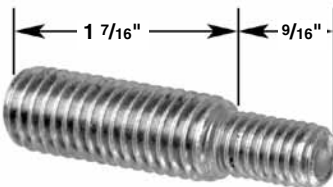


145054

For All Makes of Shock Absorbers With Stud Mounts

MERITOR PART NO.	DESCRIPTION	MATERIAL	I.D.	O.D.	MOUNTING CODES	
					GABRIEL	MONROE
R307474	Bushing	Polyurethane	5/8"	1 13/16"	S21	S
145054	Bushing Kit	Rubber	5/8"	1 13/16"	S21	S

SHOULDER STUD



MERITOR NO.

R304597

If the air spring you are replacing has studs attached to the top or bottom plates and the replacement Meritor Air Spring is identical except that it has recessed blind taps, use the optional shoulder studs R304597. Screw them into the plate using Locktite #271 or an equivalent material as a thread lubricant for installation and to insure that the studs do not loosen in service.

If the user wishes to use cap screws or his own bolts for attaching air springs with recessed, blind nuts to his suspension, caution him that the screw must have 3/8"-16 threads and must extend no more than .562 into the air spring. If long screws are forced into the blind taps, the new air spring will leak and cannot be satisfactorily repaired.

Springs with damaged blind taps are not considered for warranty claims.

SLEEVE AND WASHER KITS

PART NO. R30141250

Sleeve Kit for EB3 and L4 mounting codes



MERITOR/GABRIEL SHOCK ABSORBERS

Length and Mounting Dimensions

HOW TO DETERMINE THE CORRECT SHOCK FOR YOUR TRUCK

COMO ESCOGER EL MEJOR AMORTIGUADOR PARA SU CAMIÓN

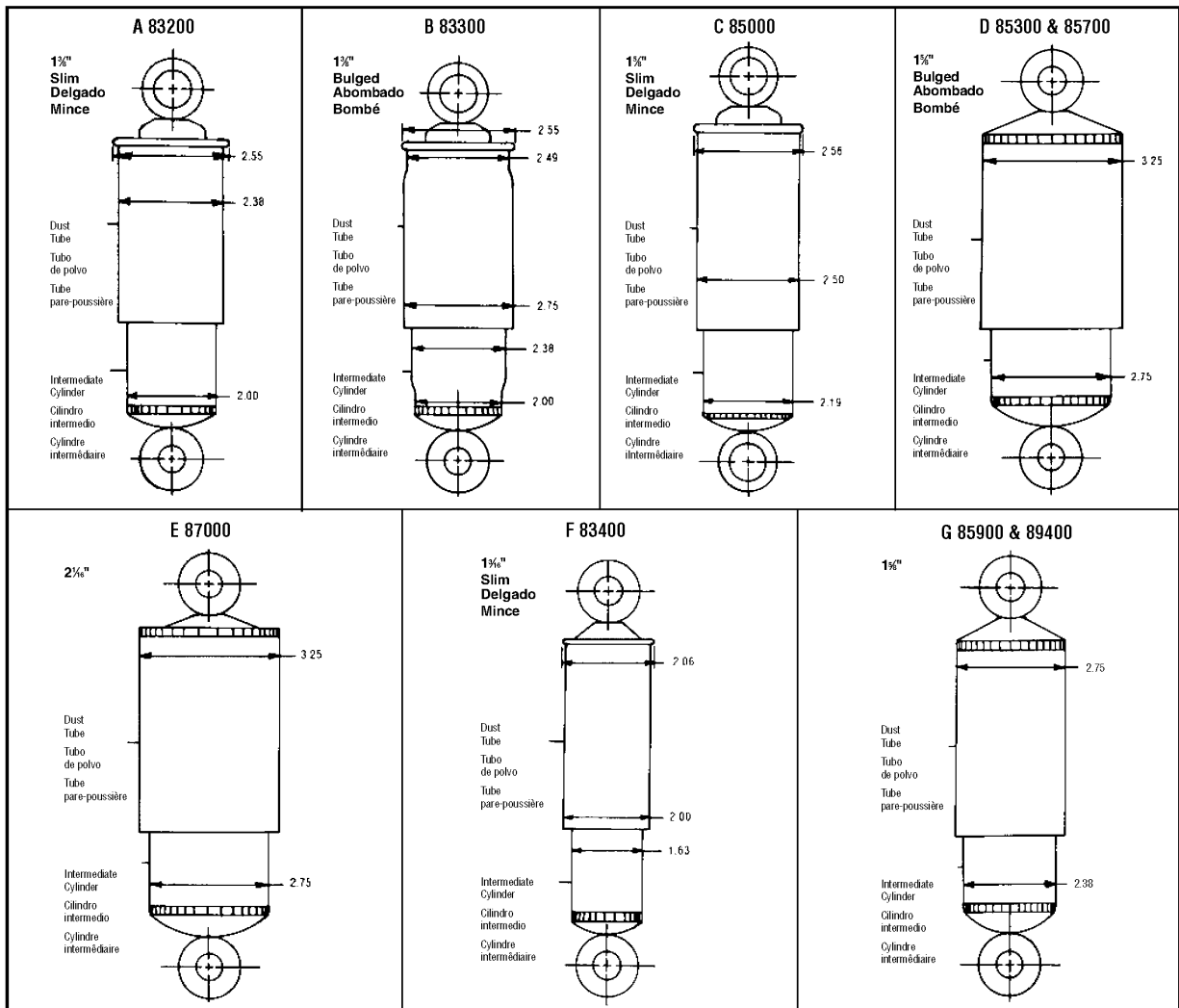
COMMENT CHOISIR LE BON AMORTISSEUR POUR VOTRE CAMION.

STEP 1: Measure the diameter of the dust tube and cylinder to determine the series.

1ER PASO Mida el diámetro del tubo de polvo y del cilindro para determinar la serie.

1RE ÉTAPE Mesurez le diamètre du tube de poussière et du cylindre pour déterminer la série.

EXTERNAL DIMENSIONS DIMENSIONES EXTERNAS DIMENSIONS EXTÉRIEURES



3

MERITOR/GABRIEL SHOCK ABSORBERS

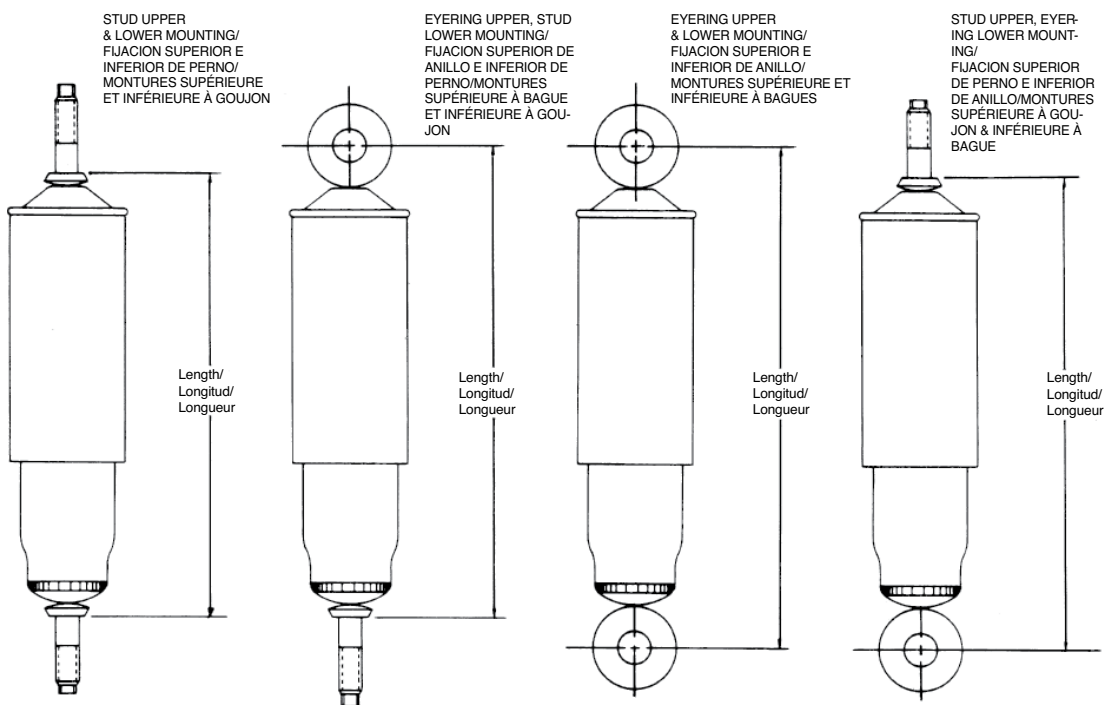
MOUNTING CODES

STEP 2: Identify the mounting style. Measure fully extended and fully collapsed lengths at the locations indicated for mounting style.

2º PASO Identifique el método de fijación. Mida la extensión máxima y la compresión máxima en los lugares indicados para la fijación.

2^E ÉTAPE Identifiez la méthode de fixation. Mesurez la longueur en pleine extension et en pleine compression, aux endroits indiqués pour la méthode de fixation.

HOW TO MEASURE EXTENDED & COLLAPSED LENGTHS OF SHOCK ABSORBERS COMO MEDIR LAS LONGITUDES EXTENDIDA Y COMPRIMIDA DE LOS AMORTIGUADORES COMMENT MESURER LES LONGUEURS ALLONGÉ ET COMPRIMÉ DES AMORTISSEURS



INSTRUCTIONS:

- Using the proper measuring points as shown above find the nearest replacement shock absorber from the listing by increments of extended length.
- Identify the proper mounting from the mounting codes and match these requirements by carefully measuring the mounting dimensions (top and bottom) of the shock absorber to be replaced.
- Carefully take note of the following requirements:
 - Dust tubes** - This requirement should be noted in comparison with the shock absorber to be replaced. Shock absorber environment in its application makes this requirement necessary for piston rod protection and extended shock absorber life.
 - Recoil Cutoff and Compression Bumper** - Carefully note these specifications - deviation of length requirements should not exceed $\pm 1/8"$. These shock absorber designs are footnoted for easy identification.

Note: Shock Absorbers used for installations other than those recommended in our catalog are **not subject to warranty**.

INSTRUCCIONES :

- Usando los puntos de medida adecuados como mencionado, encuentre el amortiguador más cercano en la lista por incrementos de la longitud extendida.
- Identifique la fijación adecuada por medio de los códigos de fijación y compare estas especificaciones, midiendo cuidadosamente las dimensiones de la fijación (superior e inferior) del amortiguador por reemplazar.
- Note cuidadosamente las exigencias siguientes :
 - Guarda polvo** : esta exigencia debe notarse en comparación con el amortiguador por reemplazar. Esta exigencia es necesaria en cuanto a los amortiguadores para proteger al vástago del pistón y extender la duración del amortiguador.
 - Tope de retorno y tope de compresión**. Note cuidadosamente las especificaciones siguientes : las exigencias de longitud no deben de ser excedidas $\pm 1/8"$. Estos diseños de amortiguadores están marcados para facilitar su identificación.

Nota : Los amortiguadores usados para instalaciones otras que las recomendadas en nuestro catálogo **no son garantizados**.

INSTRUCTIONS:

- En utilisant les points de mesure appropriés comme indiqués ci-dessus, trouvez l'amortisseur de rechange le plus près de cette mesure d'après la longueur allongée.
- Repérez les montures appropriées sur les codes des montures et faites correspondre ces exigences en mesurant attentivement les dimensions des montures (haut et bas) de l'amortisseur à remplacer.
- Avec soin, prenez note des exigences suivantes:
 - Tubes pare-poussière** - Cette exigence devrait être notée en comparaison de l'amortisseur à remplacer. Le milieu de service rend cette exigence nécessaire pour la protection de la tige de piston et une meilleure longévité de l'amortisseur.
 - Arrêt de retour et butée de compression** - Notez avec soin ces spécifications. La déviation par rapport aux exigences de longueurs ne doit pas dépasser $\pm 1/8$ po. Ces modèles d'amortisseurs portent une note pour une identification facile.

Note: Les amortisseurs utilisés pour des installations autres que celles recommandées dans notre catalogue **ne sont pas couverts par la garantie**.

MERITOR/GABRIEL SHOCK ABSORBERS

MOUNTING CODES

STEP 3: Measure end mount diameters, widths, and lengths. Refer to the following Endmount tables to determine the appropriate or matching mounting code

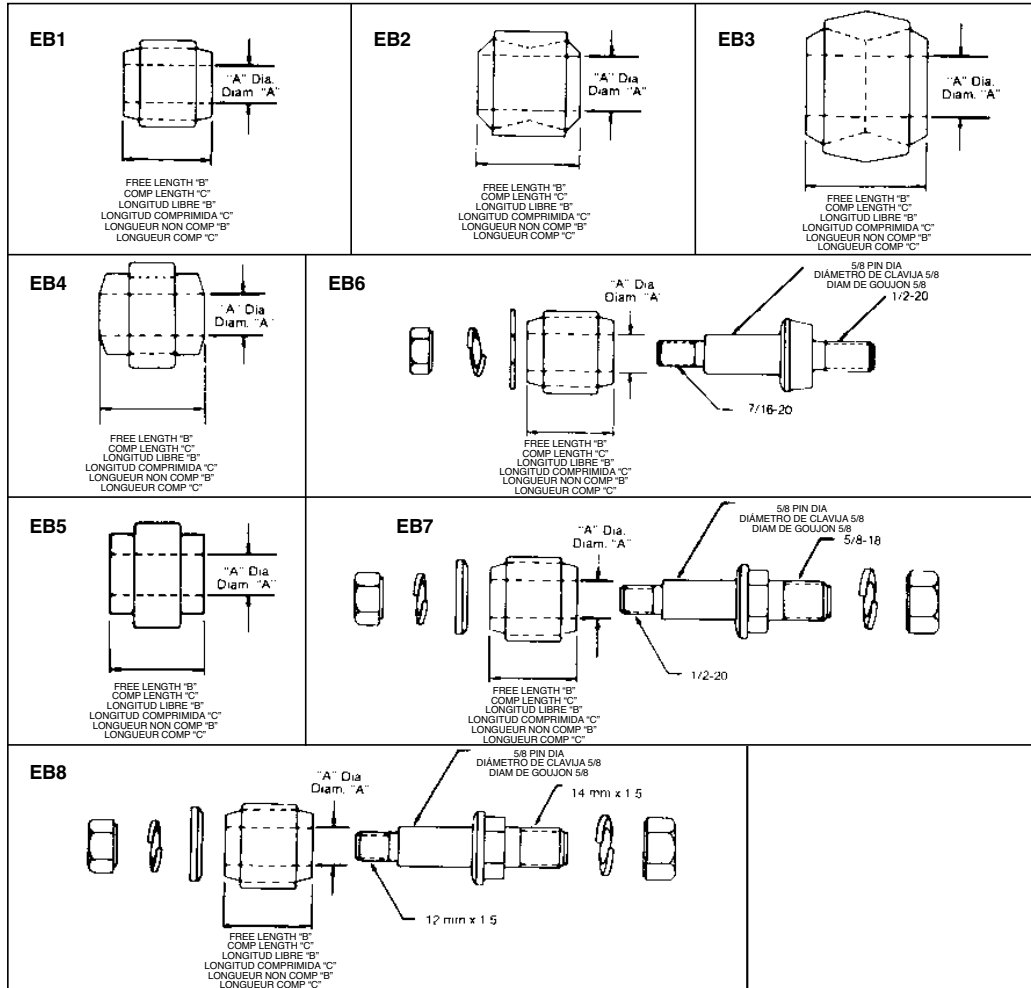
3ER PASO Mida las dimensiones del tubo, así como el diámetro, la anchura y la longitud de las fijaciones. Consulte las tablas siguientes de conteras para determinar el código de montaje apropiado o concorde

3E ÉTAPE Mesurez le diamètre, la largeur et la longueur des bagues. Consultez les tableaux d'embouts suivants afin d'établir le code de montage approprié ou concordant

MOUNTING CODE "EB" EYERING AND BUSHING

CODIGO DE FIJACION «EB» - ANILLO Y BUJE

CODE DE MONTURE «EB» À BAGUE ET MANCHON



Mounting Code Código de fijación Code de montage	"A" Dia. Diámetro "A" Diam. "A"	B Free Length Longitud libre Long. non comp.	Comp. C Length Longitud comprimida Long. comp.	Vehicle Mounting Pin Dia. Diámetro de clavija de fijación del vehículo Diam. du goujon de montage du véhicule
EB1	5/8	1.44	1.31/1.25	5/8
EB2	3/4	1.75	1.50	3/4
EB3	1	1.91	1.75	1
EB4	11/16	1.72	1.55	11/16
EB5	5/8	1.51	1.25	5/8
EB6	5/8	1.44	1.31/1.25	Mounting pin furnished with shock absorber for 1/2" dia. vehicle mounting hole. Clavija de fijación provista con amortiguador para agujero de montaje de 1/2" de diámetro en el vehículo. Goujon de montage fourni avec l'amortisseur pour trou de montage de 1/2 po de diam. sur véhicule.
EB7	5/8	1.44	1.31/1.25	Mounting pin furnished with shock absorber for 5/8" dia. vehicle mounting hole. Clavija de fijación provista con amortiguador para agujero de montaje de 5/8" de diámetro en el vehículo. Goujon de montage fourni avec l'amortisseur pour trou de montage de 5/8 po de diam. sur véhicule.
EB8	5/8	1.44	1.31/1.25	Mounting pin furnished with shock absorber for 14 mm dia. vehicle mounting hole. Clavija de fijación provista con amortiguador para agujero de montaje de 14 mm de diámetro en el vehículo. Goujon de montage fourni avec l'amortisseur pour trou de montage de 14 mm de diam. sur véhicule.

MERITOR/GABRIEL SHOCK ABSORBERS

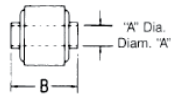
MOUNTING CODES

MOUNTING CODE "BP" EYERING AND BUSHING WITH BAR PIN
CODIGO DE FIJACION «BP» ANILLO Y BUJE CON CLAVIJA TIPO BARRA
CODE DE MONTURE "BP" BAGUE ET MANCHON AVEC GOUPILLE

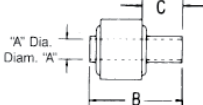
Type 1/Tipo 1						Type 2 /Tipo 2				Type 3 /Tipo 3									
Code	Type	A	B	C	D	Code	Type	A	B	C	D	Code	Type	A	B	C	D		
BP1	1	2.72	2.20	0.33	---	BP16	2	3.70	2.91	0.35	0.44	BP17	1	3.11	2.61	0.33	---		
BP3	1	2.82	2.38	0.33	---	BP18	1	3.75	3.14	0.39	---	BP19	1	3.19	2.62	0.33	---		
BP4	1	3.19	2.38	0.33	---	BP20	1	3.59	3.12	0.33	---	BP26	3	3.06	2.37	0.26	---		
BP5	1	3.19	2.75	0.33	---	BP27	2	4.00	2.95	0.52	---	BP30	1	3.00	2.25	0.34	---		
BP6	1	4.25	3.62	0.33	---	BP31	3	3.50	2.87	0.35	---	BP32	2	3.45	2.83	0.42	---		
BP7	2	3.13	2.50	0.35	0.42	BP33	2	3.50	2.87	0.35	0.42								
BP8	2	3.50	2.87	0.35	0.42														
BP11	1	2.96	2.52	0.33	---														
BP12	1	3.75	3.14	0.33	---														
BP13	1	3.45	3.00	0.33	---														
BP14	2	3.43	2.87	0.43	---														

MOUNTING CODE "ES" & "CB" EYERING AND BUSHING WITH STEEL SLEEVE
CODIGO DE FIJACION «ES» Y «CB» ANILLO Y BUJE CON CAMISA DE ACERO
CODE DE MONTURE "ES" & "CB" BAGUE ET MANCHON AVEC COLLET EN ACIER

TYPE 1/TIPO 1
 CENTERED IN
 EYERING
 CENTRADO EN
 EL ANILLO
 CENTRÉ DANS
 LA BAGUE



TYPE 2/TIPO 2
 OFFSET IN
 EYERING
 DESCENTRADO
 EN EL ANILLO
 DÉCALÉ SUR
 LA BAGUE



TYPE 3/TIPO 3
 CAPTURED
 BUSHING
 BUJE
 CAPTURADO
 MANCHON
 PRISONNIER



Code	Type	"A" Dia.	B	C
ES87	1	9/16	1.62	---
ES143	1	9/16	1.60	---
CB6	3	10 mm	1.59	---
ES1	1	10 mm	1.25	---
ES2	1	10 mm	1.42	---
ES3	1	10 mm	1.56	---
ES4	1	10 mm	1.97	---
ES5	1	10 mm	2.07	---
ES6	1	10 mm	2.36	---
ES39	1	10 mm	1.31	---
ES44	1	10 mm	2.28	---
ES53	1	10 mm	1.38	---
ES84	1	10 mm	1.62	---
ES106	1	10 mm	1.48	---
ES109	1	10 mm	0.95	---
ES115	1	10 mm	2.02	---
ES116	1	10 mm	1.24	---
ES170	1	10 mm	1.18	---
Code	Type	"A" Dia.	B	C
ES17	1	12 mm	1.25	---
ES18	1	12 mm	1.65	---
ES19	1	12 mm	1.88	---
ES20	1	12 mm	1.95	---
ES21	1	12 mm	2.28	---
ES37	1	12 mm	1.01	---
ES46	2	12 mm	1.88	0.62
ES54	1	12 mm	2.91	---
ES55	1	12 mm	1.56	---
ES61	1	12 mm	1.76	---
ES69	1	12 mm	1.58	---
ES83	1	12 mm	1.48	---
ES85	1	12 mm	2.36	---
ES107	1	12 mm	2.15	---
ES112	1	12 mm	1.08	---
ES114	1	12 mm	2.04	---
ES133	1	12 mm	1.93	---
ES141	1	12 mm	1.61	---
ES56	1	14 mm	1.38	---
ES60	1	14 mm	1.26	---
ES64	1	14 mm	1.19	---
ES86	1	14 mm	2.44	---
ES153	1	14 mm	1.55	---
ES167	1	14 mm	2.31	---
ES168	1	14 mm	2.62	---
ES169	1	14 mm	1.91	---
ES110	1	16 mm	1.61	---
ES113	1	16 mm	1.49	---
ES175	1	16 mm	1.96	---
ES176	1	16 mm	3.72	---
ES177	1	16 mm	3.55	---
ES104	1	20 mm	1.58	---
ES152	1	20 mm	1.69	---

Code	Type	"A" Dia.	B	C
CB6	3	10 mm	1.59	---
ES1	1	10 mm	1.25	---
ES2	1	10 mm	1.42	---
ES3	1	10 mm	1.56	---
ES4	1	10 mm	1.97	---
ES5	1	10 mm	2.07	---
ES6	1	10 mm	2.36	---
ES8	1	7/16	1.25	---
ES9	1	7/16	1.31	---
ES10	1	7/16	1.38	---
ES11	1	7/16	1.50	---
ES12	1	7/16	1.62	---
ES14	1	7/16	1.88	---
ES16	1	7/16	3.15	---
ES17	1	12 mm	1.25	---
ES18	1	12 mm	1.65	---
ES19	1	12 mm	1.88	---
ES20	1	12 mm	1.95	---
ES21	1	12 mm	2.28	---
ES22	1	1/2	1.25	---
ES23	1	1/2	1.31	---
ES24	1	1/2	1.38	---
ES25	1	1/2	1.48	---
ES26	1	1/2	1.56	---
ES27	1	1/2	1.62	---
ES31	2	1/2	2.25	1.00
ES32	1	1/2	3.34	---
ES34	1	9/16	1.66	---
ES35	1	9/16	1.38	---
ES36	1	3/4	1.75	---
ES37	1	12 mm	1.01	---
ES38	1	7/16	2.16	---
ES39	1	10 mm	1.31	---
ES40	1	7/16	3.38	---
Code	Type	"A" Dia.	B	C
ES44	1	10 mm	2.28	---
ES45	1	1/2	1.53	---
ES46	2	12 mm	1.88	0.62
ES53	1	10 mm	1.38	---
ES54	1	12 mm	2.91	---
ES55	1	12 mm	1.56	---
ES56	1	14 mm	1.38	---
ES60	1	14 mm	1.26	---
ES61	1	12 mm	1.76	---
ES64	1	14 mm	1.19	---
ES69	1	12 mm	1.58	---
ES82	1	1/2	1.67	---
ES83	1	12 mm	1.48	---
ES84	1	10 mm	1.62	---
ES85	1	12 mm	2.36	---
ES86	1	114 mm	2.44	---

MERITOR/GABRIEL SHOCK ABSORBERS

MOUNTING CODES

MOUNTING CODES "S" & "DS" STUD MOUNTS CODIGOS DE FIJACION «S» Y «DS» FIJACIONES DE DOBLE PERNO CODES DE MONTURE "S" & "DS" À GOUJON

S					DS									
<p>D (Thread Size) D (Tamaño de filete) D (Filet)</p>					<p>D (Thread Size) D (Tamaño de filete) D (Filet)</p>									
Code	A	B	C	D	Code	A	B	C	D	Code	A	B	C	D
DS1	1.25	0.44	3/8	5/16 - 24	S13	2.06	1.35	3/8	3/8 - 24	S33	3.44	2.17	10 mm	10 mm
S1	2.37	1.00	3/8	3/8 - 24	S14	2.25	1.33	7/16	3/8 - 24	S36	1.24	0.65	3/8	3/8 - 24
S2	2.06	1.00	3/8	3/8 - 24	S16	2.95	1.45	16 mm	16 x 1.5	S38	2.75	1.70	14 mm	12 mm
S4	1.75	1.00	3/8	3/8 - 24	S17	2.15	1.03	7/16	3/8 - 24	S39	3.55	1.75	5/8	5/8 - 18
S6	2.58	1.47	7/16	3/8 - 24	S21	3.28	1.75	5/8	5/8 - 18	S40	2.52	1.33	7/16	3/8 - 24
S7	1.97	1.00	3/8	3/8 - 24	S23	1.84	1.05	3/8	3/8 - 24	S41	3.48	2.32	5/8	1/2 - 20
S10	2.37	1.33	7/16	3/8 - 24	S28	2.34	1.33	7/16	3/8 - 16	S42	3.50	2.00	5/8	5/8 - 18
S11	2.37	1.21	7/16	3/8 - 24	S29	2.99	1.87	3/8	3/8 - 24	S43	2.75	1.25	5/8	5/8 - 18
S12	2.37	1.15	7/16	3/8 - 24	S30	3.44	1.30	7/16	10 mm					

EXPLANATION OF COLUMN HEADINGS EXPLICACION DE LOS TITULOS DE LAS COLUMNA EXPLICATION DES EN-TÊTES DE COLONNES

SHOCK ABSORBER PART NUMBER:

The catalog number for the individual shock absorber.

Número de parte del amortiguador :

El número de catálogo para el amortiguador individual

Numéro de pièce de l'amortisseur:

Le numéro de catalogue pour l'amortisseur individuel.

EXTENDED LENGTH:*

The length of the shock absorber when it is fully extended. See "How to Measure" instructions.

Longitud extendida :

La longitud del amortiguador cuando es totalmente extendido. Ver instrucciones «Cómo medir»

Longueur étirée:*

La longueur de l'amortisseur entièrement étiré. Voir "Comment mesurer".

COLLAPSED LENGTH:*

The length of the shock absorber when it is fully compressed. See "How to Measure" instructions.

Longitud comprimida :

La longitud del amortiguador cuando es totalmente comprimido. Ver instrucciones «Cómo medir»

Longueur comprimée:*

La longueur de l'amortisseur entièrement comprimé. Voir "Comment mesurer".

STROKE:

This is the approximate length of the stroke of the individual shock absorber being described.

Carrera :

Es la longitud aproximada de la carrera del amortiguador descrito

Course:

C'est la longueur approximative de la course de l'amortisseur individuel décrit.

MOUNTING CODES:

Indicates the type of mounting ends for the upper and lower end of each shock absorber.

They are listed as follows:

- Stud Type Mounts ("S" & "DS")
- Eye Ring and Bushing Mounts ("EB")
- Eye Ring and Bushing with Sleeve Mounts ("ES")
- Eye Ring and Bushing with Bar Pin Mounts ("BP")
- Special Mounting Codes ("SP")

Códigos de fijación :

Indica el tipo de montantes de fijación superior e inferior para cada amortiguador.

Se listan como sigue :

- Fijaciones de tipo perno («S» y «DS»)
- Fijaciones de anillo y buje («EB»)
- Fijaciones de anillo y buje con camisa («ES»)
- Fijaciones de anillo y buje con clavija («BP»)
- Códigos de fijación especiales («SP»)

Codes de montage:

Indique le type de montures supérieure et inférieure de chaque amortisseur.

Ils sont énumérés comme suit:

- Montures de type goujon ("S" & "DS")
- Montures à bague et manchon ("EB")
- Montures à bague et manchon avec collet ("ES")
- Montures à bague et manchon avec goupille ("BP")
- Codes de montures spéciales ("SP")

DUST TUBE:

Indicates whether the shock absorber is supplied with a dust tube.

Tubo de polvo :

Indica si el amortiguador está provisto con un tubo de polvo.

Tube pare-poussière:

Indique que l'amortisseur est fourni avec un tube pare-poussière.

MOUNTING ACCESSORY PACKAGE NUMBER:

The part number of the Mount Accessory Package supplied with the shock absorber.

Número de paquete de accesorios de fijación :

El número de parte del paquete de accesorios de fijación provisto con el amortiguador

Numéro d'emballage d'accessoires de montage:

Le numéro de pièce de l'emballage d'accessoires de montage fourni avec l'amortisseur.

*NOTE:

All dimensions shown are in inches

*NOTA :

Todas las dimensiones son en pulgadas

*NOTE:

Toutes les dimensions indiquées sont en pouces

STEP 4: Refer to shock absorber specifications by end mount. Start first by finding the appropriate series. Next, match the extended/collapsed length and find the correct mounting codes. Refer to the far left column of the chart for the correct Gabriel Shock Absorber part number.

4º PASO Consulte las especificaciones del amortiguador mostradas al final del catálogo. Encuentre primero la serie adecuada. Luego, compare las longitudes de extensión y de compresión, y encuentre los códigos de fijación correctos. Consulte la columna del extremo izquierdo de la tabla para identificar el número de parte del amortiguador Gabriel correcto.

4È ÉTAPE Reportez-vous aux spécifications d'amortisseur énoncées à la fin du catalogue. Trouvez d'abord la série appropriée. Comparez ensuite les longueurs d'extension et de compression et trouvez les bons codes de fixation. Reportez-vous à la colonne située à l'extrême gauche du tableau pour identifier le bon numéro de pièce pour un amortisseur Gabriel.

SPECIFICATIONS BY END MOUNT

ESPECIFICACIONES POR NÚMERO DE PIEZA

SPÉCIFICATIONS PAR NUMÉRO DE PIÈCE

Gabriel	Mounting		Bore	External Diameter Illustration	Lengths			Dust Tube	Recoil Cutoff	Controls *	
	Upper	Lower			Extended	Collapsed	Stroke			Rebound	Compression
630811			1-3/16"		22.45	14.10	8.35	NO	NO		
632147			1-3/16"		22.45	14.10	8.35	NO	NO		
G60353			1-3/8"		17.73	11.12	6.61	YES	NO		
G61150		ES83	1-3/8"		22.98	14.20	8.78	YES	NO		
G60110	BP1	ES130	1-3/8"		25.48	15.20	10.28	YES	NO		
G60083	BP1	ES27	1-3/8"		23.16	14.13	9.03	YES	NO		
G60265	BP18	ES24	1-3/8"		19.51	12.23	7.28	YES	NO		
G60053	BP2	EB1	1-3/8"		19.98	12.45	7.53	YES	NO		
83041	BP27	S10	1-3/8"	A	10.51†	8.34†	3.02	YES	YES	486	189
G60161	BP33	ES83	1-3/8"		25.48	15.20	10.28	YES	NO		
83013	BP8	BP8	1-3/16"	2" D/T	7.66	6.63†	1.70	YES	NO	646	480
G60097	BP8	ES34	1-3/8"		26.76	16.23	10.53	YES	YES		
G60050	BP8	ES34	1-3/8"		23.98	14.45	9.53	YES	NO		
G60196	BP8	ES34	1-3/8"		23.98	14.45	9.53	YES	NO		
G60222	BP8	ES83	1-3/8"		24.98	14.95	10.03	YES	NO		
83015	BP8	S1	1-3/8"	A	9.79	7.55	2.24	YES	YES	735	430
83005	BP8	S10	1-3/16"	2" D/T	7.34	5.87	1.47	YES	NO	858	216
G60235	EB1	EB1	1-3/8"		27.48	16.20	11.28	YES	NO		
G60067	EB1	EB1	1-3/8"		25.97	15.35	10.62	NO	NO		
G60204	EB1	EB1	1-3/8"		24.98	14.95	10.03	YES	NO		
83401	EB1	EB1	1-3/16"	F	24.09	14.26	9.83	YES	NO	341	252
G60075	EB1	EB1	1-3/8"		23.98	14.45	9.53	YES	NO		
G60069	EB1	EB1	1-3/8"		22.97	13.85	9.12	NO	NO		
G60329	EB1	EB1	1-3/8"		22.73	13.87	8.86	YES	YES		
G60101	EB1	EB1	1-3/8"		22.48	13.70	8.78	YES	NO		
G60096	EB1	EB1	1-3/8"		21.69	13.47	8.22	YES	NO		
G60308	EB1	EB1	1-3/8"		20.23	12.37	7.86	YES	NO		
G60031	EB1	EB1	1-3/8"		19.98	12.45	7.53	YES	NO		
G60232	EB1	EB1	1-3/8"		18.98	11.95	7.03	YES	NO		
83007	EB1	EB1	1-3/8"	A	18.54	11.67	6.87	NO	NO	489	343
G60003	EB1	EB1	1-3/8"		17.98	11.45	6.53	YES	NO		
83011	EB1	EB1	1-3/8"	A	11.55†	8.43	3.62	YES	YES	738	330
83012	EB1	EB1	1-3/8"	A	11.05†	8.18	3.37	YES	YES	738	330
G60048	EB1	ES106	1-3/8"		26.98	15.95	11.03	NO	NO		
G60063	EB1	ES106	1-3/8"		22.98	13.95	9.03	YES	NO		
G60152	EB1	ES142	1-3/8"		19.64	12.36	7.28	YES	NO		
G60113	EB1	ES24	1-3/8"		15.98	10.45	5.53	YES	NO		
G60068	EB1	ES25	1-3/8"		25.97	15.35	10.62	NO	NO		
G60007	EB1	ES25	1-3/8"		22.98	13.95	9.03	YES	NO		
G60042	EB1	ES25	1-3/8"		19.98	12.45	7.53	YES	NO		
G60099	EB1	ES25	1-3/8"		18.98	11.95	7.03	YES	NO		
G60065	EB1	ES34	1-3/8"		29.85	17.47	12.38	NO	NO		
G61151	EB1	ES83	1-3/8"		31.51	18.48	13.03	YES	NO		
G60066	EB1	ES83	1-3/8"		29.72	17.23	12.49	NO	NO		
G61149	EB1	ES83	1-3/8"		28.76	16.98	11.78	YES	NO		
G60143	EB1	ES83	1-3/8"		26.98	15.95	11.03	YES	NO		
G61115	EB1	ES83	1-3/8"		26.98	15.95	11.03	YES	NO		
G60081	EB1	ES83	1-3/8"		26.76	15.98	10.78	YES	NO		
G61152	EB1	ES83	1-3/8"		25.48	15.20	11.78	YES	NO		
G60084	EB1	ES83	1-3/8"		25.48	15.20	10.28	YES	NO		
G60144	EB1	ES83	1-3/8"		22.98	13.95	9.03	YES	NO		
G61113	EB1	ES83	1-3/8"		22.98	13.95	9.03	YES	NO		

* Damping force, in pounds, to either extend or collapse the shock absorber at an average operating velocity.
 Fuerza de amortiguación en libras para extender o comprimir el amortiguador a una velocidad de operación promedio.
 La puissance d'amortissement en poids de l'amortisseur, soit comprimé, doit détendu, à une vitesse de fonctionnement moyenne.

† At bumper contact / Al contacto con el tope de goma. / Au contact avec le butoir.

SPECIFICATIONS BY END MOUNT

ESPECIFICACIONES POR FIJACIÓN DE EXTREMIDADES

SPÉCIFICATIONS PAR FIXATION DES EXTRÉMITÉS

Gabriel	Mounting		Bore	External Diameter Illustration	Lengths			Dust Tube	Recoil Cutoff	Controls *	
	Upper	Lower			Extended	Collapsed	Stroke			Rebound	Compression
G60035	EB1	ES83	1-3/8"		21.48	13.20	8.28	YES	NO		
G60100	EB1	S1	1-3/8"		18.95	11.67	7.28	YES	NO		
G60180	EB1	S7	1-3/8"		19.20	11.92	7.28	YES	YES		
85063	EB2	EB2	1-5/8"	C	32.01	18.85	13.16	YES	NO	762	174
83107	EB2	EB2	1-3/8"	A	31.60	18.36	13.24	YES	NO	352	77
83314	EB2	EB2	1-3/8"	B	30.64	18.11	12.53	YES	YES	633	143
85024	EB2	EB2	1-5/8"	C	28.74	17.21	11.53	YES	YES	1008	539
83309	EB2	EB2	1-3/8"	B	28.64	17.11	11.53	YES	YES	589	135
89416	EB2	EB2	1-5/8"	G	28.62	17.54	11.08	YES	YES	1155‡	514‡
89401	EB2	EB2	1-5/8"	G	28.41	17.16	11.25	YES	NO	665‡	194‡
89446	EB2	EB2	1-5/8"	G	28.36	17.41	10.95	YES	YES	702‡	204‡
85046	EB2	EB2	1-5/8"	C	27.51	16.60	10.91	YES	YES	1008	539
89434	EB2	EB2	1-5/8"	G	27.12	16.79	10.33	YES	YES	1155‡	514‡
89403	EB2	EB2	1-5/8"	G	26.86	17.16	9.70	YES	YES	929‡	281‡
83312	EB2	EB2	1-3/8"	B	26.64	16.11	10.53	YES	YES	527	152
89409	EB2	EB2	1-5/8"	G	26.36	16.41	9.95	YES	YES	567‡	165‡
89439	EB2	EB2	1-5/8"	G	25.67	15.79	9.88	YES	NO	518‡	103‡
85055	EB2	EB2	1-5/8"	C	25.63	15.60	10.03	YES	NO	577	102
85047	EB2	EB2	1-5/8"	C	25.25	15.47	9.78	YES	YES	1008	539
83308	EB2	EB2	1-3/8"	B	25.14	15.36	9.78	YES	YES	445	180
89435	EB2	EB2	1-5/8"	G	24.86	15.66	9.20	YES	YES	1155‡	514‡
83200	EB2	EB2	1-3/8"	A	24.51	14.98	9.53	YES	NO	806	370
89402	EB2	EB2	1-5/8"	G	24.41	15.16	9.25	YES	NO	874‡	206‡
83216	EB2	EB2	1-3/8"	A	23.51	14.48	9.03	YES	NO	776	262
85054	EB2	EB2	1-5/8"	C	23.26	14.35	8.91	YES	NO	602	104
89438	EB2	EB2	1-5/8"	G	23.17	14.54	8.63	YES	NO	583‡	103‡
G60103	EB2	EB2	1-3/8"		21.29	13.26	8.03	YES	NO		
G60128	EB2	EB2	1-3/8"		21.11	13.24	7.87	YES	NO		
85012	EB2	EB2	1-5/8"	C	21.00	13.22	7.78	YES	NO	523	199
89413	EB2	EB2	1-5/8"	G	20.91	13.41	7.50	YES	NO	536‡	201‡
85023	EB2	EB2	1-5/8"	C	20.24	12.96	7.28	YES	YES	1008	539
89415	EB2	EB2	1-5/8"	G	20.12	13.29	6.83	YES	YES	1155‡	514‡
83219	EB2	EB2	1-3/8"	A	20.01	12.73	7.28	YES	NO	299	125
85062	EB2	EB2	1-5/8"	C	19.76	12.60	7.20	YES	NO	523	199
89408	EB2	EB2	1-5/8"	G	19.67	12.79	6.88	YES	NO	536‡	201‡
G60119	EB2	ES27	1-3/8"		24.14	14.61	9.53	YES	NO		
85025	EB2	S21	1-5/8"	C	23.00	13.97	9.03	YES	NO	1079	539
G60088	EB2	S32	1-3/8"		22.68	13.90	8.78	YES	NO		
85376	EB3	EB3	1-5/8"	D	33.25	19.72	13.53	YES	NO	668	134
85301	EB3	EB3	1-5/8"	D	31.92	19.03	12.89	YES	NO	1442	455
85040	EB3	EB3	1-5/8"	C	30.90	18.49	12.41	YES	NO	889	114
85730	EB3	EB3	1-5/8"	D	30.75	18.72	12.03	YES	YES	1517	293
85315	EB3	EB3	1-5/8"	D	29.66	18.15	11.51	YES	NO	380	142
85901	EB3	EB3	1-5/8"	G	29.05	17.64	11.41	YES	NO	1830	418
85704	EB3	EB3	1-5/8"	D	28.75	18.72	10.03	YES	YES	1435	186
83104	EB3	EB3	1-3/8"	A	28.24	17.12	11.12	YES	NO	698	133
85305	EB3	EB3	1-5/8"	D	27.25	16.72	10.53	YES	NO	1120	225
83362	EB3	EB3	1-3/8"	B	27.00	16.25	10.75	YES	NO	539	202
87004	EB3	EB3	2-1/16"	E	26.76	16.76	10.00	YES	YES	1158	190
85735	EB3	EB3	1-5/8"	D	26.74	16.71	10.03	YES	YES	1288	227
83215	EB3	EB3	1-3/8"	A	26.64	16.36	10.28	YES	NO	661	125
89425	EB3	EB3	1-5/8"	G	26.50	16.80	9.70	YES	YES	1352‡	167‡

3

* Damping force, in pounds, to either extend or collapse the shock absorber at an average operating velocity.

Fuerza de amortiguación en libras para extender o comprimir el amortiguador a una velocidad de operación promedio.

La puissance d'amortissement en poids de l'amortisseur, soit comprimé, doit détendu, à une vitesse de fonctionnement moyenne.

‡ For GasSLX Series, forces are at the "Firm" (F) setting. / Para la serie Gas SLX, las fuerzas estan ajustada en (F) "Firme". / Pour la série GasSLX, le réglage de la force est sur « Ferme » (F).

SPECIFICATIONS BY END MOUNT

ESPECIFICACIONES POR NÚMERO DE PIEZA

SPÉCIFICATIONS PAR NUMÉRO DE PIÈCE

Gabriel	Mounting		Bore	External Diameter Illustration	Extended	Lengths Collapsed	Stroke	Dust Tube	Recoil Cutoff	Controls *	
	Upper	Lower								Rebound	Compression
85314	EB3	EB3	1-5/8"	D	26.50	16.47	10.03	YES	YES	1216	169
89410	EB3	EB3	1-5/8"	G	26.33	16.42	9.91	YES	NO	1185‡	182‡
85001	EB3	EB3	1-5/8"	C	26.27	16.36	9.91	YES	NO	1202	186
87003	EB3	EB3	2-1/16"	E	26.26	16.51	9.75	YES	YES	1332	395
85313	EB3	EB3	1-5/8"	D	26.26	16.35	9.91	YES	YES	717	111
89429	EB3	EB3	1-5/8"	G	26.18	16.43	9.75	YES	NO	553‡	266‡
85700	EB3	EB3	1-5/8"	D	26.13	16.60	9.53	YES	YES	1446	328
85320	EB3	EB3	1-5/8"	D	26.13	16.35	9.78	YES	NO	970	308
83140	EB3	EB3	1-3/8"	A	25.27	15.52	9.75	YES	NO	738	88
83141	EB3	EB3	1-3/8"	A	25.27	15.52	9.75	YES	NO	408	113
83132	EB3	EB3	1-3/8"	A	25.24	15.50	9.74	YES	NO	828	150
89422	EB3	EB3	1-5/8"	G	25.13	16.18	8.95	YES	YES	794‡	253‡
85308	EB3	EB3	1-5/8"	D	25.13	15.85	9.28	YES	YES	764	254
85714	EB3	EB3	1-5/8"	D	25.13	15.85	9.28	YES	YES	1220	175
85715	EB3	EB3	1-5/8"	D	25.13	15.85	9.28	YES	YES	1915	200
85717	EB3	EB3	1-5/8"	D	25.13	15.85	9.28	YES	YES	1915	200
85303	EB3	EB3	1-5/8"	D	24.75	15.47	9.28	YES	NO	1019	221
85053	EB3	EB3	1-5/8"	C	24.65	15.49	9.16	YES	NO	1019	227
89442	EB3	EB3	1-5/8"	G	24.55	15.55	9.00	YES	NO	1055‡	224‡
85329	EB3	EB3	1-5/8"	D	24.50	15.47	9.03	YES	YES	1550	232
85713	EB3	EB3	1-5/8"	D	24.50	15.47	9.03	YES	YES	1157	180
89412	EB3	EB3	1-5/8"	G	24.26	15.68	8.58	YES	YES	1155‡	169‡
85007	EB3	EB3	1-5/8"	C	24.21	15.30	8.91	YES	YES	1008	171
83225	EB3	EB3	1-3/8"	A	24.14	15.11	9.03	YES	YES	482	159
85307	EB3	EB3	1-5/8"	D	24.01	15.10	8.91	YES	NO	1094	173
85702	EB3	EB3	1-5/8"	D	23.76	15.85	7.91	YES	YES	1093	825
87006	EB3	EB3	2-1/16"	E	23.75	15.25	8.50	YES	YES	1158	272
85736	EB3	EB3	1-5/8"	D	23.62	15.21	8.41	YES	YES	1155	352
87002	EB3	EB3	2-1/16"	E	23.5	15.41	8.09	YES	YES	879	203
89420	EB3	EB3	1-5/8"	G	22.81	14.68	8.13	YES	NO	862‡	258‡
83217	EB3	EB3	1-3/8"	A	22.77	14.49	8.28	YES	YES	539	202
85302	EB3	EB3	1-5/8"	D	22.75	14.66	8.09	YES	NO	836	253
85304	EB3	EB3	1-5/8"	D	22.25	14.22	8.03	YES	NO	767	325
85732	EB3	EB3	2-1/16"	E	22.13	15.11	7.03	YES	YES	2632	382
85718	EB3	EB3	1-5/8"	D	22.13	15.04	7.09	YES	YES	2506	206
85716	EB3	EB3	1-5/8"	D	22.01	14.35	7.66	YES	YES	1220	175
87001	EB3	EB3	2-1/16"	E	20.76	13.76	7.00	YES	YES	1158	190
85734	EB3	EB3	1-5/8"	D	20.74	13.71	7.03	YES	YES	1288	227
85004	EB3	EB3	1-5/8"	C	20.68	13.67	7.01	YES	YES	1019	219
85042	EB3	EB3	1-5/8"	C	20.64	13.61	7.03	YES	YES	333	161
85712	EB3	EB3	1-5/8"	D	20.50	13.47	7.03	YES	YES	1435	562
85720	EB3	EB3	1-5/8"	D	20.50	13.47	7.03	YES	YES	1435	562
83214	EB3	EB3	1-3/8"	A	19.64	12.86	6.78	YES	NO	269	90
89419	EB3	EB3	1-5/8"	G	18.00	12.55	5.45	YES	YES	1352‡	636‡
85300	EB3	EB3	1-5/8"	D	18.00	12.22	5.78	YES	YES	1435	676
85719	EB3	EB3	1-5/8"	D	17.25	11.97	5.28	YES	YES	1517	213
85334	EB3	EB3	1-5/8"	D	14.50	10.47	4.03	YES	YES	1271	319
85327	EB3	ES160	1-5/8"	D	16.01	12.10	3.91	YES	YES	764	162
85322	EB3	ES160	1-5/8"	D	15.26	11.85	3.41	YES	YES	764	162
85912	EB3	ES36	1-5/8"	G	18.68	12.57	6.11	YES	YES	1020	219
83353	EB3	S21	1-3/8"	B	24.84	15.06	9.78	YES	NO	432	214
85312	EB3	S21	1-5/8"	D	23.69	14.85	8.84	YES	YES	717	111

* Damping force, in pounds, to either extend or collapse the shock absorber at an average operating velocity.

Fuerza de amortiguación en libras para extender o comprimir el amortiguador a una velocidad de operación promedio.

La puissance d'amortissement en poids de l'amortisseur, soit comprimé, doit détendu, à une vitesse de fonctionnement moyenne.

‡ For GasSLX Series, forces are at the "Firm" (F) setting. / Para la serie Gas SLX, las fuerzas están ajustadas en (F) "Firme". / Pour la série GasSLX, le réglage de la force est sur « Ferme » (F).

XpresswayPlus.ArvinMeritor.com

Contact Customer Care

SPECIFICATIONS BY END MOUNT

ESPECIFICACIONES POR FIJACIÓN DE EXTREMIDADES

SPÉCIFICATIONS PAR FIXATION DES EXTRÉMITÉS

Gabriel	Mounting		Bore	External Diameter Illustration	Lengths			Dust Tube	Recoil Cutoff	Controls *	
	Upper	Lower			Extended	Collapsed	Stroke			Rebound	Compression
85733	EB3	S21	1-5/8"	D	23.57	14.73	8.84	YES	YES	717	111
85330	EB3	S21	1-5/8"	D	22.44	14.16	8.28	YES	YES	1140	176
85729	EB3	S21	1-5/8"	D	21.58	13.80	7.78	YES	YES	783	111
85723	EB3	S21	1-5/8"	D	19.94	12.91	7.03	YES	YES	1318	248
83117	EB4	EB1	1-3/8"	A	23.94	14.45	9.49	YES	NO	354	300
G60028	EB4	EB4	1-3/8"		20.79	13.01	7.78	YES	NO		
83119	EB4	ES165	1-3/8"	A	23.96	14.84	9.12	YES	NO	354	300
G60226	EB5	ES24	1-3/8"		21.14	13.36	7.78	YES	YES		
G60079	EB5	ES25	1-3/8"		18.14	11.61	6.53	YES	NO		
G60186	EB5	ES83	1-3/8"		21.64	13.36	8.28	YES	NO		
G60014	EB7	ES24	1-3/8"		14.98	9.95	5.03	YES	NO		
G60010	EB7	ES34	1-3/8"		23.36	14.33	9.03	YES	NO		
83303	EB7	ES36	1-3/8"	B	24.86	15.08	9.78	YES	NO	470	122
83304	EB7	ES36	1-3/8"	B	22.86	14.08	8.78	YES	NO	470	122
G60185	EB7	ES36	1-3/8"		22.56	13.78	8.78	YES	NO		
G60121	ES1	EB1	1-3/8"		14.98	10.20	4.78	YES	YES		
G60077	ES1	ES18	1-3/8"		22.79	14.01	8.78	YES	NO		
G60062	ES1	ES18	1-3/8"		17.98	11.45	6.53	YES	NO		
G60120	ES1	ES25	1-3/8"		18.41	11.88	6.53	YES	NO		
83023	ES10		1"	1-5/8"	8.70	7.09†	2.14	NO	YES	484	157
83021	ES10	ES10	1-3/8"	A	9.36	7.37	1.99	YES	YES	745	315
83002	ES10	ES10	1-3/8"	A	11.61	8.62	3.00	YES	YES	3112	590
83024	ES10	ES10	1-3/8"	2-1/2" D/T	11.61	8.62	2.99	YES	YES	811	320
83016	ES10	ES10	1"	1-5/8"	11.51	8.14	3.37	NO	YES	506	139
83031	ES10	ES10	1-3/8"	2-1/2" D/T	11.49	8.62	2.87	YES	YES	811	314
G60197	ES104	ES69	1-3/8"		24.14	14.61	9.53	YES	NO		
G60255	ES110	ES19	1-3/8"		22.48	13.70	8.78	YES	NO		
83034	ES115	ES115	1-3/16"	1-5/8"	10.04†	7.32	2.97	NO	YES	430	129
G60237	ES119	S38	1-3/8"		22.18	13.40	8.78	YES	NO		
83634	ES120	ES120	1-3/8"	A	27.48	16.23	11.25	YES	YES	779	157
85011	ES120	ES121	1-5/8"	C	27.49	16.46	11.03	YES	NO	1268	186
83120	ES120	S21	1-3/8"	A	22.12	13.63	8.49	YES	YES	779	164
G61159	ES126	ES128	1-3/8"		16.73	10.95	5.17	YES	NO		
G60302	ES126	ES128	1-3/8"		16.48	10.87	5.61	YES	NO		
83042	ES136	ES136	1-3/8"	A	9.88†	8.44†	2.38	YES	YES	954	541
83030	ES136	ES136	1-3/8"	A	9.60†	7.61	2.49	YES	YES	308	87
83008	ES136	ES136	1-3/8"	A	12.98†	10.15†	3.99	YES	YES	699	307
85026	ES136	S21	1-5/8"	C	23.00	13.97	9.03	YES	NO	1079	539
89417	ES136	S21	1-5/8"	G	22.93	14.18	8.75	YES	NO	1226‡	515‡
83006	ES149	EB1	1-3/8"	A	10.66	8.48†	2.77	YES	YES	525	182
83001	ES149	EB1	1-3/8"	A	10.41†	8.36†	3.00	YES	NO	793	363
83038	ES149	EB1	1-3/8"	A	10.41†	8.36†	2.99	YES	YES	336	242
83017	ES149	ES149	1-3/8"	A	10.93	8.35†	3.13	YES	YES	353	138
83009	ES149	ES149	1-3/8"	A	10.41†	8.36†	2.99	YES	YES	793	363
83039	ES149	ES149	1-3/8"	A	10.41†	8.36†	2.99	YES	YES	876	326
89449	ES150	ES150	1-5/8"	G	23.09	14.71	8.38	YES	NO	1519‡	324‡
85918	ES150	ES150	1-5/8"	G	22.96	14.55	8.41	YES	NO	1726	412
85920	ES150	ES150	1-5/8"	G	21.19	13.53	7.66	YES	NO	845	49
85922	ES150	ES150	1-5/8"	G	21.19	13.53	7.66	YES	NO	878	185
G60163	ES151	ES128	1-3/8"		16.48	10.95	5.53	YES	YES		
G60199	ES152	ES153	1-3/8"		23.79	15.01	8.78	YES	YES		
G60160	ES152	ES153	1-3/8"		21.29	13.51	7.78	YES	YES		

* Damping force, in pounds, to either extend or collapse the shock absorber at an average operating velocity.
 Fuerza de amortiguación en libras para extender o comprimir el amortiguador a una velocidad de operación promedio.
 La puissance d'amortissement en poids de l'amortisseur, soit comprimé, doit détendu, à une vitesse de fonctionnement moyenne.

† At bumper contact / Al contacto con el tope de goma. / Au contact avec le butoir.

‡ For GasSLX Series, forces are at the "Firm" (F) setting. / Para la serie Gas SLX, las fuerzas están ajustadas en (F) "Firme". / Pour la série GasSLX, le réglage de la force est sur « Ferme » (F).

SPECIFICATIONS BY END MOUNT

ESPECIFICACIONES POR NÚMERO DE PIEZA

SPÉCIFICATIONS PAR NUMÉRO DE PIÈCE

Gabriel	Mounting		Bore	External Diameter Illustration	Lengths			Dust Tube	Recoil Cutoff	Controls *	
	Upper	Lower			Extended	Collapsed	Stroke			Rebound	Compression
83025	ES158	ES158	1-3/8"	A	7.98	6.49	1.49	YES	YES	710	230
85724	ES158	ES159	1-5/8"	D	22.78	14.50	8.28	YES	YES	1235	454
89443	ES158	ES159	1-5/8"	G	22.17	14.31	7.86	YES	YES	1206‡	466‡
85331	ES158	ES159	1-5/8"	D	19.66	12.88	6.78	YES	YES	1757	396
85335	ES158	ES159	1-5/8"	D	19.66	12.88	6.78	YES	YES	827	107
85061	ES161	ES162	1-5/8"	C	24.75	15.22	9.53	YES	YES	1216	195
85066	ES161	ES162	1-5/8"	C	24.63	15.22	9.41	YES	YES	812	322
89448	ES161	ES162	1-5/8"	G	24.62	15.54	9.08	YES	YES	782‡	323‡
89450	ES161	ES162	1-5/8"	G	24.62	15.54	9.08	YES	YES	1282‡	193‡
85065	ES161	S21	1-5/8"	C	28.02	16.99	11.03	YES	YES	1059	300
83142	ES162	S42	1-3/8"	A	23.92	14.5	9.43	YES	YES	367	131
83143	ES162	S42	1-3/8"	A	21.92	13.5	8.43	YES	YES	403	137
83032	ES163	ES163	1-3/8"	A	7.85	6.36	1.49	NO	YES	779	135
83116	ES164	ES165	1-3/8"	A	23.81	14.68	9.12	YES	NO	354	300
83118	ES164	ES90	1-3/8"	A	24.45	14.71	9.74	YES	NO	410	311
83035	ES166	ES136	1-3/8"	A	12.96†	9.33	4.13	YES	YES	320	100
83029	ES168	ES169	1-5/8"	C	10.35	7.94	2.41	YES	NO	1303	1349
83040	ES171	ES172	1-3/8"	A	10.41†	8.36†	2.99	YES	YES	876	326
87015	ES173	ES173	45MM	E	15.51	11.18	4.33	YES	YES	4950	900
85737	ES173	ES173	1-5/8"	D	15.11	10.84	4.27	YES	YES	3066	782
85070	ES174	EB3	1-5/8"	C	25.60	15.82	9.78	YES	NO	1100	310
85067	ES174	ES136	1-5/8"	C	30.51	18.10	12.41	YES	YES	676	170
89451	ES174	ES136	1-5/8"	G	30.36	18.41	11.95	YES	YES	645‡	172‡
85937	ES174	S43	1-5/8"	G	18.98	12.26	6.72	YES	YES	1479	337
85936	ES174	S43	1-5/8"	G	17.23	11.38	5.85	YES	YES	1479	337
89456	ES174	S43	1-5/8"	G	17.02	11.29	5.73	YES	YES	975‡	377‡
89454	ES175	ES175	1-5/8"	G	18.23	12.78	5.45	YES	YES	938‡	388‡
85933	ES175	ES175	1-5/8"	G	18.23	12.71	5.52	YES	YES	1089	383
85031	ES176	EB2	1-5/8"	C	25.63	15.85	9.78	YES	NO	941	257
85923	ES177	ES161	1-5/8"	G	22.48	14.50	7.98	YES	YES	1940	221
85931	ES177	ES161	1-5/8"	G	22.48	14.50	7.98	YES	YES	1435	220
85930	ES177	ES161	1-5/8"	G	17.86	12.00	5.86	YES	YES	1617	342
85932	ES178	ES150	1-5/8"	G	21.23	13.62	7.61	YES	YES	1102	430
89453	ES178	ES150	1-5/8"	G	21.10	13.78	7.32	YES	YES	860‡	435‡
G60233	ES18	ES18	1-3/8"		17.98	11.45	6.53	YES	NO		
G60029	ES2	EB4	1-3/8"		28.64	16.86	11.78	YES	NO		
G60012	ES2	EB4	1-3/8"		24.64	14.86	9.78	YES	NO		
G60045	ES2	ES24	1-3/8"		21.98	13.45	8.53	YES	NO		
G60021	ES2	ES24	1-3/8"		19.86	12.58	7.28	YES	NO		
G60307	ES2	ES27	1-3/8"		20.45	12.59	7.86	YES	NO		
G60015	ES24	ES24	1-3/8"		14.98	9.95	5.03	YES	NO		
83022	ES24	ES24	1"	2" D/T	14.28	9.33	4.95	YES	NO	840	152
83010	ES24	ES24	1"	2" D/T	14.15†	9.33	5.07	YES	YES	188	70
83026	ES24	ES24	1-3/8"	A	13.11	9.12	3.99	YES	YES	602	104
83019	ES24	S1	1-3/8"	A	9.42	8.16†	2.28	YES	YES	509	121
83018	ES24	S1	1-3/8"	A	10.30†	8.42†	3.24	YES	YES	515	174
83027	ES24	S10	1-3/8"	A	13.80	9.18	4.62	YES	YES	602	104
G60260	ES25	ES25	1-3/8"		22.98	13.95	9.03	YES	NO		
G60039	ES27	ES27	1-3/8"		20.76	12.98	7.78	YES	NO		
G60309	ES3	ES24	1-3/8"		18.23	11.37	6.86	YES	NO		
G60008	ES3	ES24	1-3/8"		17.98	11.45	6.53	YES	NO		
G60047	ES3	ES34	1-3/8"		26.76	15.98	10.78	YES	NO		

* Damping force, in pounds, to either extend or collapse the shock absorber at an average operating velocity.

Fuerza de amortiguación en libras para extender o comprimir el amortiguador a una velocidad de operación promedio.

La puissance d'amortissement en poids de l'amortisseur, soit comprimé, doit détendu, à une vitesse de fonctionnement moyenne.

‡ For GasSLX Series, forces are at the "Firm" (F) setting. / Para la serie Gas SLX, las fuerzas están ajustadas en (F) "Firme". / Pour la série GasSLX, le réglage de la force est sur « Ferme » (F).

† At bumper contact / Al contacto con el tope de goma. / Au contact avec le butoir.

XpresswayPlus.ArvinMeritor.com

SPECIFICATIONS BY END MOUNT

ESPECIFICACIONES POR FIJACIÓN DE EXTREMIDADES

SPÉCIFICATIONS PAR FIXATION DES EXTRÉMITÉS

Gabriel	Mounting		Bore	External Diameter Illustration	Lengths			Dust Tube	Recoil Cutoff	Controls *	
	Upper	Lower			Extended	Collapsed	Stroke			Rebound	Compression
G60112	ES3	ES82	1-3/8"		18.48	11.70	6.78	YES	NO		
G60064	ES31	ES24	1-3/8"		22.97	13.85	9.12	NO	NO		
G60218	ES34	ES34	1-3/8"		26.26	15.73	10.53	YES	NO		
G60206	ES34	ES34	1-3/8"		24.51	14.98	9.53	YES	NO		
G60044	ES34	ES34	1-3/8"		23.36	14.33	9.03	YES	NO		
G61153	ES34	ES36	1-3/8"		22.56	13.78	8.78	YES	NO		
83004	ES35	ES136	1"	2" D/T	9.36†	7.29	2.32	YES	YES	539	324
85916	ES36	EB3	1-5/8"	G	24.61	15.51	9.11	YES	YES	1149	219
85905	ES36	EB3	1-5/8"	G	23.81	16.16	7.66	YES	YES	1020	219
85913	ES36	EB3	1-5/8"	G	22.56	15.20	7.36	YES	YES	1020	219
85057	ES36	EB3	1-5/8"	C	21.45	14.23	7.22	YES	YES	1216	115
85907	ES36	EB3	1-5/8"	G	21.43	14.20	7.23	YES	YES	1216	251
83113	ES36	EB3	1-3/8"	A	20.42	13.43	6.99	YES	YES	997	238
85059	ES36	EB3	1-5/8"	C	19.07	12.79	6.28	YES	YES	928	151
85915	ES36	EB3	1-5/8"	G	19.06	12.70	6.36	YES	YES	1020	219
83115	ES36	EB3	1-3/8"	A	16.19	13.32	4.87	YES	YES	997	238
85072	ES36	ES176	1-5/8"	C	24.17	14.83	9.34	YES	YES	1387	305
83242	ES36	ES36	1-3/8"	A	33.73	20.98	12.75	YES	YES	721	135
85903	ES36	ES36	1-5/8"	G	31.99	19.13	12.86	YES	YES	666	113
83121	ES36	ES36	1-3/8"	A	30.25	18.32	11.93	YES	YES	689	126
83137	ES36	ES36	1-3/8"	A	30.03	17.78	12.25	YES	YES	517	132
85013	ES36	ES36	1-5/8"	C	29.74	17.71	12.03	YES	YES	1019	219
83205	ES36	ES36	1-3/8"	A	29.69	17.69	12.00	YES	YES	660	76
83209	ES36	ES36	1-3/8"	A	29.64	17.61	12.03	YES	YES	670	78
89414	ES36	ES36	1-5/8"	G	29.62	18.04	11.58	YES	YES	1045‡	217‡
85337	ES36	ES36	1-5/8"	D	28.72	17.45	11.28	YES	YES	1318	374
85006	ES36	ES36	1-5/8"	C	28.50	17.09	11.41	YES	YES	1019	219
83125	ES36	ES36	1-3/8"	A	28.12	17.13	10.99	YES	YES	625	115
85043	ES36	ES36	1-5/8"	C	27.63	16.85	10.78	YES	YES	628	163
85904	ES36	ES36	1-5/8"	G	27.61	16.88	10.73	YES	YES	666	113
85010	ES36	ES36	1-5/8"	C	26.74	16.21	10.53	YES	YES	1019	219
83123	ES36	ES36	1-3/8"	A	26.62	16.38	10.24	YES	YES	589	119
85036	ES36	ES36	1-5/8"	C	26.38	16.29	10.09	YES	YES	633	119
89405	ES36	ES36	1-5/8"	G	26.24	16.41	9.83	YES	YES	1009‡	249‡
85321	ES36	ES36	1-5/8"	D	25.36	15.58	9.78	YES	YES	1435	676
83122	ES36	ES36	1-3/8"	A	25.24	15.75	9.49	YES	YES	661	201
83218	ES36	ES36	1-3/8"	A	25.19	15.44	9.75	YES	YES	721	194
665472	ES36	ES36	1-5/8"	G	25.14	15.61	9.53	NO	NO	925	977
89406	ES36	ES36	1-5/8"	G	24.74	15.66	9.08	YES	YES	658‡	125‡
89430	ES36	ES36	1-5/8"	G	24.74	15.54	9.53	YES	YES	1462‡	279‡
85005	ES36	ES36	1-5/8"	C	24.74	15.21	9.53	YES	YES	1019	219
83126	ES36	ES36	1-3/8"	A	24.37	15.25	9.12	YES	YES	625	115
85909	ES36	ES36	1-5/8"	G	24.24	15.13	9.11	YES	YES	700	255
83310	ES36	ES36	1-3/8"	B	24.06	14.69	9.37	YES	NO	559	153
83221	ES36	ES36	1-3/8"	A	24.01	14.73	9.28	YES	NO	599	153
85030	ES36	ES36	1-5/8"	C	24.00	14.84	9.16	YES	YES	1019	219
89440	ES36	ES36	1-5/8"	G	23.86	15.16	8.70	YES	YES	1498‡	561‡
83144	ES36	ES36	1-3/8"	A	23.78	15.03	8.75	YES	YES	596	93
85050	ES36	ES36	1-5/8"	C	23.50	14.47	9.03	YES	NO	525	138
89432	ES36	ES36	1-5/8"	G	23.41	14.66	8.75	YES	NO	1507‡	561‡
665937	ES36	ES36	1-5/8"	G	22.91	16.09	6.82	YES	NO		
85058	ES36	ES36	1-5/8"	C	22.63	14.22	8.41	YES	YES	722	114

* Damping force, in pounds, to either extend or collapse the shock absorber at an average operating velocity.
 Fuerza de amortiguación en libras para extender o comprimir el amortiguador a una velocidad de operación promedio.
 La puissance d'amortissement en poids de l'amortisseur, soit comprimé, doit détendu, à une vitesse de fonctionnement moyenne.
 † At bumper contact / Al contacto con el tope de goma. / Au contact avec le butoir.

‡ For GasSLX Series, forces are at the "Firm" (F) setting. / Para la serie Gas SLX, las fuerzas están ajustadas en (F) "Firme". / Pour la série GasSLX, le réglage de la force est sur « Ferme » (F).

SPECIFICATIONS BY END MOUNT

ESPECIFICACIONES POR NÚMERO DE PIEZA

SPÉCIFICATIONS PAR NUMÉRO DE PIÈCE

Gabriel	Mounting		Bore	External Diameter Illustration	Lengths			Dust Tube	Recoil Cutoff	Controls *	
	Upper	Lower			Extended	Collapsed	Stroke			Rebound	Compression
85044	ES36	ES36	1-5/8"	C	22.63	14.10	8.53	YES	NO	722	212
85919	ES36	ES36	1-5/8"	G	22.48	14.25	8.23	YES	YES	1265	121
632155	ES36	ES36	1-3/16"		22.45	14.10	8.35	NO	NO		
646155	ES36	ES36	1-3/16"		22.45	14.10	8.35	NO	NO		
89431	ES36	ES36	1-5/8"	G	22.41	14.16	8.25	YES	NO	751‡	211‡
85014	ES36	ES36	1-5/8"	C	21.74	13.71	8.03	YES	YES	1019	219
85906	ES36	ES36	1-5/8"	G	21.73	14.00	7.73	YES	YES	700	255
83124	ES36	ES36	1-3/8"	A	21.65	13.75	7.87	YES	YES	750	137
83207	ES36	ES36	1-3/8"	A	21.64	13.61	8.03	YES	YES	553	143
89407	ES36	ES36	1-5/8"	G	21.62	14.04	7.58	YES	YES	652‡	218‡
85910	ES36	ES36	1-5/8"	G	20.73	13.50	7.23	YES	YES	1074	219
85029	ES36	ES36	1-5/8"	C	20.50	13.09	7.41	YES	YES	1019	219
83204	ES36	ES36	1-3/8"	A	20.14	12.86	7.28	YES	YES	451	110
89437	ES36	ES36	1-5/8"	G	20.12	13.29	6.83	YES	YES	1155‡	514‡
83127	ES36	ES36	1-3/8"	A	20.12	13.13	6.99	YES	YES	940	218
85060	ES36	ES36	1-5/8"	C	19.75	12.72	7.03	YES	YES	943	405
85338	ES36	ES36	1-5/8"	D	19.47	12.7	6.77	YES	YES	1664	420
85051	ES36	ES36	1-5/8"	C	18.75	12.22	6.53	YES	YES	1019	139
85908	ES36	ES36	1-5/8"	G	18.48	12.25	6.23	YES	YES	1020	219
83130	ES36	ES36	1-3/8"	A	17.99	12.01	5.99	YES	YES	871	177
85934	ES36	ES36	1-5/8"	G	17.73	12.00	5.73	YES	YES	3511	1063
85738	ES36	ES36	1-5/8"	D	17.47	11.7	5.77	YES	YES	1830	416
85323	ES36	ES36	1-5/8"	D	17.36	11.58	5.78	YES	YES	1085	163
89436	ES36	ES36	1-5/8"	G	17.24	11.91	5.33	YES	YES	998‡	217‡
85000	ES36	ES36	1-5/8"	C	17.22	11.46	5.76	YES	YES	1019	219
83203	ES36	ES36	1-3/8"	A	17.10	11.36	5.74	YES	YES	609	114
83128	ES36	ES36	1-3/8"	A	16.87	11.51	5.37	YES	YES	940	218
85911	ES36	ES36	1-5/8"	G	16.86	11.50	5.36	YES	YES	1020	219
85938	ES36	ES36	1-5/8"	G	16.06	10.78	5.28	YES	YES	1581	432
85064	ES36	ES36	1-5/8"	C	16.01	10.72	5.28	YES	YES	1481	340
85045	ES36	ES36	1-5/8"	C	14.51	10.10	4.41	YES	YES	1020	219
85939	ES36	ES36	1-5/8"	G	14.44	10.03	4.41	YES	YES	1719	420
85914	ES36	ES36	1-5/8"	G	14.36	10.25	4.11	YES	YES	1020	219
85052	ES36	ES36	1-5/8"	C	13.25	9.47	3.78	YES	YES	1019	139
83635	ES36	S21	1-3/8"	A	21.74	13.25	8.49	YES	NO	558	119
83109	ES36	S42	1-3/8"	A	26.14	15.90	10.24	YES	YES	345	78
83111	ES36	S42	1-3/8"	A	26.14	15.90	10.24	YES	YES	560	141
83138	ES36	S42	1-3/8"	A	23.55	14.42	9.12	YES	YES	997	231
83110	ES36	S42	1-3/8"	A	22.89	14.27	8.62	YES	YES	450	143
83112	ES36	S42	1-3/8"	A	21.52	13.40	8.12	YES	YES	1064	343
83033	ES53	ES53	1-3/8"	A	13.99	10.37	3.62	YES	YES	494	312
G60219	ES69	ES69	1-3/8"		15.48	10.45	5.03	YES	YES		
G60051	ES8	ES82	1-3/8"		16.73	10.70	6.03	NO	NO		
G60080	ES8	ES83	1-3/8"		22.98	13.95	9.03	YES	NO		
G60111	ES82	ES82	1-3/8"		24.48	14.70	9.78	YES	NO		
G60214	ES82	ES82	1-3/8"		22.48	13.70	8.78	YES	NO		
G60179	ES83	EB1	1-3/8"		27.48	16.20	11.28	YES	NO		
83131	ES83	ES83	1-3/8"	A	27.80	18.18	9.62	YES	NO	212	129
G61116	ES83	ES83	1-3/8"		20.76	12.98	7.78	YES	NO		
83028	ES86	ES167	1-3/8"	A	9.94	7.57	2.37	YES	YES	445	531
85924	ES90	ES36	1-5/8"	G	20.41	12.96	7.46	YES	NO	1036	122
83636	ES90	ES90	1-3/8"	A	27.72	16.95	10.77	YES	YES	505	148

* Damping force, in pounds, to either extend or collapse the shock absorber at an average operating velocity.

Fuerza de amortiguación en libras para extender o comprimir el amortiguador a una velocidad de operación promedio.

La puissance d'amortissement en poids de l'amortisseur, soit comprimé, doit détendu, à une vitesse de fonctionnement moyenne.

‡ For GasSLX Series, forces are at the "Firm" (F) setting. / Para la serie Gas SLX, las fuerzas estan ajustada en (F) "Firme". / Pour la série GasSLX, le réglage de la force est sur « Ferme » (F).

SPECIFICATIONS BY END MOUNT

ESPECIFICACIONES POR FIJACIÓN DE EXTREMIDADES

SPÉCIFICATIONS PAR FIXATION DES EXTRÉMITÉS

Gabriel	Mounting		Bore	External Diameter Illustration	Lengths			Dust Tube	Recoil Cutoff	Controls *	
	Upper	Lower			Extended	Collapsed	Stroke			Rebound	Compression
83100	ES90	ES90	1-3/8"	A	26.60	16.11	10.49	YES	YES	481	142
85926	ES90	ES90	1-5/8"	G	26.48	17.96	8.53	YES	YES	1387	279
85003	ES90	ES90	1-5/8"	C	25.37	15.59	9.78	YES	YES	437	182
89411	ES90	ES90	1-5/8"	G	25.36	15.59	9.78	YES	YES	436‡	186‡
85927	ES90	ES90	1-5/8"	G	24.74	15.38	9.36	YES	YES	1288	388
83101	ES90	ES90	1-3/8"	A	24.60	15.11	9.49	YES	YES	481	142
85925	ES90	ES90	1-5/8"	G	22.54	15.59	6.96	YES	NO	761	144
85928	ES90	ES90	1-5/8"	G	20.28	13.21	7.08	YES	NO	957	229
85929	ES90	ES90	1-5/8"	G	20.28	13.21	7.08	YES	NO	2214	267
83135	ES90	ES90	1-3/8"	A	19.48	12.36	7.12	YES	YES	519	121
83020	ES91	ES91	1-3/8"	A	9.41	7.17	2.24	YES	YES	796	255
G60251	ES99	EB2	1-3/8"		19.64	12.36	5.08	YES	NO		
G60043	S1	BP13	1-3/8"		15.70	9.92	5.78	NO	NO		
G60017	S1	BP13	1-3/8"		13.70	8.92	4.78	NO	NO		
G60338	S1	BP17	1-3/8"		14.70	9.34	5.36	NO	NO		
G60301	S1	BP26	1-3/8"		14.10	9.34	4.76	YES	YES		
G60049	S1	BP30	1-3/8"		13.70	8.92	4.78	NO	NO		
G60074	S1	BP4	1-3/8"		13.95	9.17	4.78	YES	NO		
G60078	S1	BP4	1-3/8"		13.70	8.92	4.78	NO	NO		
G60052	S1	BP7	1-3/8"		20.45	12.67	7.78	YES	YES		
G60076	S1	BP7	1-3/8"		14.33	9.30	5.03	NO	NO		
G60354	S1	BP7	1-3/8"		14.20	9.09	5.11	NO	NO		
G60313	S1	BP7	1-3/8"		13.20	8.59	4.61	NO	NO		
83003	S1	BP7	1-3/8"	A	11.76	8.95†	3.4	YES	YES	248	100
G60304	S1	BP8	1-3/8"		14.70	9.34	5.36	YES	NO		
G60137	S1	EB1	1-3/8"		22.95	13.67	9.28	YES	NO		
G60107	S1	EB1	1-3/8"		22.45	13.42	9.03	YES	NO		
G60164	S1	EB1	1-3/8"		21.95	13.17	8.78	YES	NO		
G61139	S1	EB1	1-3/8"		15.89	10.11	5.78	YES	NO		
G60091	S1	EB2	1-3/8"		21.04	12.95	8.09	YES	NO		
G61121	S1	ES113	1-3/8"		18.54	11.76	6.78	YES	YES		
G60086	S1	ES113	1-3/8"		13.95	9.17	4.78	YES	NO		
G60153	S1	ES113	1-3/8"		13.61	9.08	4.53	YES	NO		
G61122	S1	ES118	1-3/8"		13.89	9.11	4.78	YES	NO		
G60253	S1	ES153	1-3/8"		19.04	11.76	7.28	YES	NO		
G60070	S1	ES17	1-3/8"		22.99	13.74	9.25	NO	YES		
G60105	S1	ES17	1-3/8"		16.95	10.92	6.03	YES	YES		
G60104	S1	ES17	1-3/8"		14.95	9.67	5.28	YES	NO		
G60136	S1	ES17	1-3/8"		14.95	9.67	5.28	YES	NO		
G60165	S1	ES17	1-3/8"		14.95	9.67	5.28	YES	NO		
G60305	S1	ES17	1-3/8"		14.95	9.59	5.36	YES	NO		
G60109	S1	ES17	1-3/8"		14.45	9.42	5.03	YES	NO		
G60310	S1	ES17	1-3/8"		14.11	9.00	5.11	YES	NO		
G60303	S1	ES17	1-3/8"		12.60	8.59	4.01	YES	YES		
G60306	S1	ES24	1-3/8"		14.70	9.34	5.36	NO	NO		
G60024	S1	ES25	1-3/8"		23.33	14.05	9.28	YES	NO		
G60129	S1	ES25	1-3/8"		22.45	13.42	9.03	YES	NO		
G60030	S1	ES25	1-3/8"		22.33	13.80	8.53	YES	YES		
G60011	S1	ES25	1-3/8"		18.83	11.80	7.03	YES	NO		
G60217	S1	ES34	1-3/8"		23.27	14.24	9.03	YES	YES		
G60216	S1	ES34	1-3/8"		22.30	13.77	8.53	YES	YES		
G60205	S1	ES34	1-3/8"		13.80	9.52	4.28	YES	YES		

* Damping force, in pounds, to either extend or collapse the shock absorber at an average operating velocity.

Fuerza de amortiguación en libras para extender o comprimir el amortiguador a una velocidad de operación promedio.

La puissance d'amortissement en poids de l'amortisseur, soit comprimé, doit détendu, à une vitesse de fonctionnement moyenne.

‡ For GasSLX Series, forces are at the "Firm" (F) setting. / Para la serie Gas SLX, las fuerzas estan ajustada en (F) "Firme". / Pour la série GasSLX, le réglage de la force est sur « Ferme » (F).

† At bumper contact / Al contacto cone el tope de goma. / Au contact avec le butoir.

Contact Customer Care

USA - 1-888-725-9355 CANADA - 800-387-3889

XpresswayPlus.ArvinMeritor.com

SPECIFICATIONS BY END MOUNT

ESPECIFICACIONES POR NÚMERO DE PIEZA

SPÉCIFICATIONS PAR NUMÉRO DE PIÈCE

Gabriel	Mounting		Bore	External Diameter Illustration	Lengths			Dust Tube	Recoil Cutoff	Controls *	
	Upper	Lower			Extended	Collapsed	Stroke			Rebound	Compression
G60194	S1	ES69	1-3/8"		14.45	9.42	5.03	YES	NO		
G60002	S1	S1	1-3/8"		22.92	13.39	9.53	YES	NO		
83400	S1	S1	1-3/16"	F	22.02	12.82	9.20	YES	NO	301	120
G60046	S1	S1	1-3/8"		20.42	12.14	8.28	YES	NO		
83014	S1	S1	1-3/8"	A	10.48	7.11	3.37	NO	NO	544	501
G61140	S1	S12	1-3/8"		15.36	10.33	5.03	YES	NO		
G60264	S10	BP11	1-3/8"		12.27	8.03	4.24	YES	NO		
G60181	S10	BP7	1-3/8"		16.33	10.80	5.53	YES	YES		
G60072	S10	EB6	1-3/8"		22.99	13.74	9.25	NO	YES		
G60033	S10	EB6	1-3/8"		18.58	11.62	6.96	YES	YES		
G60250	S10	ES17	1-3/8"		15.89	10.11	5.78	YES	NO		
G60073	S10	ES25	1-3/8"		29.86	17.49	12.37	NO	YES		
G60071	S10	ES25	1-3/8"		23.24	13.99	9.25	NO	YES		
G60041	S10	ES25	1-3/8"		18.45	11.67	6.78	YES	YES		
G60026	S10	ES25	1-3/8"		16.45	10.67	5.78	YES	YES		
G61144	S12		1-3/8"		15.36	10.33	5.03	YES	NO		
G61124	S12	BP11	1-3/8"	C	14.59	10.21	4.38	YES	NO		
G60154	S12	EB2	1-3/8"		21.11	13.08	8.03	YES	YES		
G60269	S12	EB2	1-3/8"		21.05	12.77	8.28	YES	NO		
G60258	S12	ES25	1-3/8"		28.39	16.36	12.03	YES	NO		
G61118	S12	ES25	1-3/8"	C	24.34	14.46	9.88	YES	NO		
G60259	S12	ES26	1-3/8"		15.39	9.86	5.53	YES	NO		
G61158	S12	ES60	1-3/8"		15.70	10.92	4.78	YES	NO		
83317	S16	ES23	1-3/8"	B	27.33	15.99	11.34	YES	NO		
83301	S16	ES90	1-3/8"	B	24.52	14.74	9.78	YES	YES	653	86
83318	S16	S16	1-3/8"	B	22.53	13.50	9.03	YES	NO	323	77
83613	S16	S16	1-3/8"	A	21.04	12.76	8.28	YES			
G60122	S17	ES114	1-3/8"		21.95	13.42	8.53	YES	YES		
85731	S21	EB3	1-5/8"	D	30.57	18.54	12.03	YES	YES	1517	293
85703	S21	EB3	1-5/8"	D	29.57	18.54	11.03	YES	YES	1435	186
85033	S21	EB3	1-5/8"	C	27.21	17.37	9.84	YES	YES	764	254
89427	S21	EB3	1-5/8"	G	27.20	17.50	9.70	YES	YES	794‡	253‡
85317	S21	EB3	1-5/8"	D	27.18	17.42	9.76	YES	YES	764	254
85711	S21	EB3	1-5/8"	D	24.57	15.29	9.28	YES	YES	1435	208
87000	S21	EB3	2-1/16"	E	24.46	15.21	9.25	YES	YES	1332	300
85311	S21	EB3	1-5/8"	D	23.95	14.79	9.16	YES	YES	764	254
89424	S21	EB3	1-5/8"	G	23.70	15.00	8.70	YES	YES	794‡	253‡
85710	S21	EB3	1-5/8"	D	23.45	15.10	8.34	YES	YES	994	248
85319	S21	ES150	1-5/8"	D	22.20	13.92	8.28	YES	YES	988	454
89428	S21	ES150	1-5/8"	G	21.96	14.13	7.83	YES	YES	958‡	446‡
85009	S21	ES36	1-5/8"	C	23.52	14.36	9.16	YES	YES	857	144
83134	S21	ES36	1-3/8"	A	22.24	13.50	8.74	YES	NO	430	49
85921	S21	ES36	1-5/8"	G	22.03	13.50	8.53	YES	NO	2053	339
85316	S21	ES36	1-5/8"	D	20.61	12.85	7.76	YES	NO	943	443
89426	S21	ES36	1-5/8"	G	20.43	12.93	7.50	YES	NO	926‡	419‡
85056	S21	ES36	1-5/8"	C	20.15	12.87	7.28	YES	YES	732	114
89441	S21	ES36	1-5/8"	G	20.14	13.06	7.08	YES	YES	761‡	126‡
85935	S21	ES36	1-5/8"	G	18.70	11.92	6.78	YES	NO	1054	419
85709	S21	S21	1-5/8"	D	31.64	18.36	13.28	YES	YES	700	203
85727	S21	S21	1-5/8"	D	29.89	17.36	12.53	YES	YES	783	111
83106	S21	S21	1-3/8"	A	29.25	16.76	12.49	YES	NO	451	80
83136	S21	S21	1-3/8"	A	29.25	16.76	12.49	YES	NO	914	65

* Damping force, in pounds, to either extend or collapse the shock absorber at an average operating velocity.

Fuerza de amortiguación en libras para extender o comprimir el amortiguador a una velocidad de operación promedio.

La puissance d'amortissement en poids de l'amortisseur, soit comprimé, doit détendu, à une vitesse de fonctionnement moyenne.

‡ For GasSLX Series, forces are at the "Firm" (F) setting. / Para la serie Gas SLX, las fuerzas están ajustadas en (F) "Firme". / Pour la série GasSLX, le réglage de la force est sur « Ferme » (F).

XpresswayPlus.ArvinMeritor.com

Contact Customer Care

SPECIFICATIONS BY END MOUNT

ESPECIFICACIONES POR FIJACIÓN DE EXTREMIDADES

SPÉCIFICATIONS PAR FIXATION DES EXTRÉMITÉS

Gabriel	Mounting		Bore	External Diameter Illustration	Lengths			Dust Tube	Recoil Cutoff	Controls *	
	Upper	Lower			Extended	Collapsed	Stroke			Rebound	Compression
85048	S21	S21	1-5/8"	C	29.16	16.88	12.28	YES	NO	432	106
85318	S21	S21	1-5/8"	D	27.37	16.36	11.01	YES	YES	1372	192
85722	S21	S21	1-5/8"	D	27.15	16.43	10.72	YES	YES	1264	369
85069	S21	S21	1-5/8"	C	26.28	15.94	10.34	YES	YES	762	255
89455	S21	S21	1-5/8"	G	26.28	15.92	10.36	YES	YES	791‡	276‡
85328	S21	S21	1-5/8"	D	25.64	15.36	10.28	YES	NO	930	383
85071	S21	S21	1-5/8"	C	25.57	15.04	10.53	YES	NO	610	107
85049	S21	S21	1-5/8"	C	25.53	15.00	10.53	YES	NO	597	107
85728	S21	S21	1-5/8"	D	24.39	14.86	9.53	YES	YES	1435	510
83456	S21	S21	1-3/8"	B	24.03	14.25	9.78	YES	NO	566	80
89447	S21	S21	1-5/8"	G	23.65	14.57	9.08	YES	YES	702‡	241‡
85707	S21	S21	1-5/8"	D	23.65	14.40	9.25	YES	YES	1761	986
87011	S21	S21	2-1/16"	E	23.65	14.40	9.25	YES	YES	1750	1050
87012	S21	S21	2-1/16"	E	23.65	14.40	9.25	YES	YES	650	364
87013	S21	S21	2-1/16"	E	23.65	14.40	9.25	YES	YES	1075	585
85705	S21	S21	1-5/8"	D	23.65	14.24	9.41	YES	YES	639	436
85706	S21	S21	1-5/8"	D	23.65	14.24	9.41	YES	YES	1086	696
85325	S21	S21	1-5/8"	D	23.64	14.36	9.28	YES	NO	1024	240
83102	S21	S21	1-3/8"	A	22.94	13.56	9.38	YES	YES	513	333
85324	S21	S21	1-5/8"	D	22.14	13.61	8.53	YES	NO	579	114
85027	S21	S21	1-5/8"	C	21.52	12.99	8.53	YES	NO	1008	539
89418	S21	S21	1-5/8"	G	21.44	13.19	8.25	YES	NO	1266‡	515‡
85708	S21	S21	1-5/8"	D	20.64	12.86	7.78	YES	YES	914	204
85326	S21	S21	1-5/8"	D	19.64	12.36	7.28	YES	NO	799	142
83103	S21	S21	1-3/8"	A	19.64	11.89	7.75	YES	YES	517	301
85902	S21	S21	1-5/8"	G	19.01	12.03	6.98	YES	YES	1441	267
85336	S21	S21	1-5/8"	D	18.76	11.86	6.90	YES	NO	861	200
89423	S21	S21	1-5/8"	G	18.65	12.07	6.58	YES	YES	1352‡	573‡
85900	S21	S21	1-5/8"	G	17.27	11.16	6.11	YES	YES	1467	337
85701	S21	S21	1-5/8"	D	15.64	10.36	5.28	YES	YES	914	204
G60114	S28	ES25	1-3/8"		15.09	10.06	5.03	NO	YES		
G60038	S28	ES83	1-3/8"		15.09	10.06	5.03	NO	YES		
G60098	S29	BP11	1-3/8"		14.42	9.64	4.78	NO	YES		
G60312	S29	ES84	1-3/8"		21.15	16.49	4.66	YES	YES		
G60089	S32	S32	1-3/8"		21.42	12.64	8.78	YES	NO		
G60124	S32	S32	1-3/8"		21.11	12.64	8.78	YES	NO		
G60221	S36	BP7	1-3/8"		18.01	13.48	4.53	YES	NO		
G61148	S36	EB1	1-3/8"		15.32	10.29	5.03	YES	NO		
G60171	S36	EB1	1-3/8"		15.09	10.06	5.03	NO	YES		
G60182	S36	EB1	1-3/8"		15.07	10.04	5.03	YES	YES		
G60330	S36	EB1	1-3/8"		14.72	9.71	5.01	YES	YES		
G60162	S36	EB1	1-3/8"		14.56	9.78	4.78	YES	YES		
G60023	S36	ES25	1-3/8"		17.19	11.16	6.03	NO	YES		
G60183	S36	ES83	1-3/8"		22.57	14.29	8.28	YES	YES		
G60184	S36	ES83	1-3/8"		20.07	12.54	7.53	YES	YES		
G60158	S36	ES83	1-3/8"		16.06	10.53	5.53	YES	YES		
G60177	S38	EB2	1-3/8"		23.68	14.15	9.53	YES	NO		
G60176	S38	S38	1-3/8"		23.56	13.78	9.78	YES	NO		
G60238	S38	S38	1-3/8"		23.06	13.53‡	9.53	YES	NO		
G61156	S39		1-3/8"		21.95	13.17	8.78	YES	NO		
G61155	S39	EB1	1-3/8"		21.45	13.17	8.28	YES	YES		
G61154	S39	ES17	1-3/8"		12.23	8.45	3.78	YES	NO		

3

* Damping force, in pounds, to either extend or collapse the shock absorber at an average operating velocity.

Fuerza de amortiguación en libras para extender o comprimir el amortiguador a una velocidad de operación promedio.

La puissance d'amortissement en poids de l'amortisseur, soit comprimé, doit détendu, à une vitesse de fonctionnement moyenne.

‡ For GasSLX Series, forces are at the "Firm" (F) setting. / Para la serie Gas SLX, las fuerzas están ajustada en (F) "Firme". / Pour la série GasSLX, le réglage de la force est sur « Ferme » (F).

SPECIFICATIONS BY END MOUNT

ESPECIFICACIONES POR NÚMERO DE PIEZA

SPÉCIFICATIONS PAR NUMÉRO DE PIÈCE

Gabriel	Mounting		Bore	External Diameter Illustration	Extended	Lengths Collapsed	Stroke	Dust Tube	Recoil Cutoff	Controls *	
	Upper	Lower								Rebound	Compression
G60249	S39	ES83	1-3/8"		18.05	11.27	6.78	YES	NO		
G60087	S4	EB1	1-3/8"		19.95	12.42	7.53	YES	NO		
G60106	S4	ES17	1-3/8"		22.45	13.42	9.03	YES	NO		
83105	S40	ES160	1-3/8"	A	31.91	18.29	13.62	YES	NO	559	150
83114	S40	ES35	1-3/8"	A	23.00	13.76	9.24	YES	NO	450	102
85332	S42	ES36	1-5/8"	D	20.64	12.98	7.66	YES	YES	2351	967
85333	S42	ES36	1-5/8"	D	20.64	12.98	7.66	YES	YES	1241	534
85310	S42	S42	1-5/8"	D	18.65	11.74	6.91	YES	YES	1379	578
G61114	S6	BP35	1-3/8"		17.95	13.42	4.53	YES	YES		
G61112	S6	BP35	1-3/8"		13.73	9.45	4.28	YES	YES		
G60257	S6	BP7	1-3/8"		15.39	9.86	5.53	YES	NO		
G60263	S6	ES22	1-3/8"		21.39	12.86	8.53	YES	NO		

SPECIFICATIONS BY PART NUMBER

ESPECIFICACIONES POR FIJACIÓN DE EXTREMIDADES

SPÉCIFICATIONS PAR FIXATION DES EXTRÉMITÉS

Gabriel	Mounting		Bore	External Diameter Illustration	Lengths		Stroke	Dust Tube	Recoil Cutoff	Controls *	
	Upper	Lower			Extended	Collapsed				Rebound	Compression
G60002	S1	S1	1-3/8"		22.92	13.39	9.53	YES	NO		
G60003	EB1	EB1	1-3/8"		17.98	11.45	6.53	YES	NO		
G60007	EB1	ES25	1-3/8"		22.98	13.95	9.03	YES	NO		
G60008	ES3	ES24	1-3/8"		17.98	11.45	6.53	YES	NO		
G60010	EB7	ES34	1-3/8"		23.36	14.33	9.03	YES	NO		
G60011	S1	ES25	1-3/8"		18.83	11.80	7.03	YES	NO		
G60012	ES2	EB4	1-3/8"		24.64	14.86	9.78	YES	NO		
G60014	EB7	ES24	1-3/8"		14.98	9.95	5.03	YES	NO		
G60015	ES24	ES24	1-3/8"		14.98	9.95	5.03	YES	NO		
G60017	S1	BP13	1-3/8"		13.70	8.92	4.78	NO	NO		
G60021	ES2	ES24	1-3/8"		19.86	12.58	7.28	YES	NO		
G60023	S36	ES25	1-3/8"		17.19	11.16	6.03	NO	YES		
G60024	S1	ES25	1-3/8"		23.33	14.05	9.28	YES	NO		
G60026	S10	ES25	1-3/8"		16.45	10.67	5.78	YES	YES		
G60028	EB4	EB4	1-3/8"		20.79	13.01	7.78	YES	NO		
G60029	ES2	EB4	1-3/8"		28.64	16.86	11.78	YES	NO		
G60030	S1	ES25	1-3/8"		22.33	13.80	8.53	YES	YES		
G60031	EB1	EB1	1-3/8"		19.98	12.45	7.53	YES	NO		
G60033	S10	EB6	1-3/8"		18.58	11.62	6.96	YES	YES		
G60035	EB1	ES83	1-3/8"		21.48	13.20	8.28	YES	NO		
G60038	S28	ES83	1-3/8"		15.09	10.06	5.03	NO	YES		
G60039	ES27	ES27	1-3/8"		20.76	12.98	7.78	YES	NO		
G60041	S10	ES25	1-3/8"		18.45	11.67	6.78	YES	YES		
G60042	EB1	ES25	1-3/8"		19.98	12.45	7.53	YES	NO		
G60043	S1	BP13	1-3/8"		15.70	9.92	5.78	NO	NO		
G60044	ES34	ES34	1-3/8"		23.36	14.33	9.03	YES	NO		
G60045	ES2	ES24	1-3/8"		21.98	13.45	8.53	YES	NO		
G60046	S1	S1	1-3/8"		20.42	12.14	8.28	YES	NO		
G60047	ES3	ES34	1-3/8"		26.76	15.98	10.78	YES	NO		
G60048	EB1	ES106	1-3/8"		26.98	15.95	11.03	NO	NO		
G60049	S1	BP30	1-3/8"		13.70	8.92	4.78	NO	NO		
G60050	BP8	ES34	1-3/8"		23.98	14.45	9.53	YES	NO		
G60051	ES8	ES82	1-3/8"		16.73	10.70	6.03	NO	NO		
G60052	S1	BP7	1-3/8"		20.45	12.67	7.78	YES	YES		
G60053	BP2	EB1	1-3/8"		19.98	12.45	7.53	YES	NO		
G60062	ES1	ES18	1-3/8"		17.98	11.45	6.53	YES	NO		
G60063	EB1	ES106	1-3/8"		22.98	13.95	9.03	YES	NO		
G60064	ES31	ES24	1-3/8"		22.97	13.85	9.12	NO	NO		
G60065	EB1	ES34	1-3/8"		29.85	17.47	12.38	NO	NO		
G60066	EB1	ES83	1-3/8"		29.72	17.23	12.49	NO	NO		
G60067	EB1	EB1	1-3/8"		25.97	15.35	10.62	NO	NO		
G60068	EB1	ES25	1-3/8"		25.97	15.35	10.62	NO	NO		
G60069	EB1	EB1	1-3/8"		22.97	13.85	9.12	NO	NO		
G60070	S1	ES17	1-3/8"		22.99	13.74	9.25	NO	YES		
G60071	S10	ES25	1-3/8"		23.24	13.99	9.25	NO	YES		
G60072	S10	EB6	1-3/8"		22.99	13.74	9.25	NO	YES		
G60073	S10	ES25	1-3/8"		29.86	17.49	12.37	NO	YES		
G60074	S1	BP4	1-3/8"		13.95	9.17	4.78	YES	NO		
G60075	EB1	EB1	1-3/8"		23.98	14.45	9.53	YES	NO		
G60076	S1	BP7	1-3/8"		14.33	9.30	5.03	NO	NO		
G60077	ES1	ES18	1-3/8"		22.79	14.01	8.78	YES	NO		
G60078	S1	BP4	1-3/8"		13.70	8.92	4.78	NO	NO		

* Damping force, in pounds, to either extend or collapse the shock absorber at an average operating velocity.
 Fuerza de amortiguación en libras para extender o comprimir el amortiguador a una velocidad de operación promedio.
 La puissance d'amortissement en poids de l'amortisseur, soit comprimé, doit détendu, à une vitesse de fonctionnement moyenne.

SPECIFICATIONS BY PART NUMBER

ESPECIFICACIONES POR FIJACIÓN DE EXTREMIDADES

SPÉCIFICATIONS PAR FIXATION DES EXTRÉMITÉS

Gabriel	Mounting		Bore	External Diameter Illustration	Lengths			Dust Tube	Recoil Cutoff	Controls *	
	Upper	Lower			Extended	Collapsed	Stroke			Rebound	Compression
G60079	EB5	ES25	1-3/8"		18.14	11.61	6.53	YES	NO		
G60080	ES8	ES83	1-3/8"		22.98	13.95	9.03	YES	NO		
G60081	EB1	ES83	1-3/8"		26.76	15.98	10.78	YES	NO		
G60083	BP1	ES27	1-3/8"		23.16	14.13	9.03	YES	NO		
G60084	EB1	ES83	1-3/8"		25.48	15.20	10.28	YES	NO		
G60086	S1	ES113	1-3/8"		13.95	9.17	4.78	YES	NO		
G60087	S4	EB1	1-3/8"		19.95	12.42	7.53	YES	NO		
G60088	EB2	S32	1-3/8"		22.68	13.90	8.78	YES	NO		
G60089	S32	S32	1-3/8"		21.42	12.64	8.78	YES	NO		
G60091	S1	EB2	1-3/8"		21.04	12.95	8.09	YES	NO		
G60096	EB1	EB1	1-3/8"		21.69	13.47	8.22	YES	NO		
G60097	BP8	ES34	1-3/8"		26.76	16.23	10.53	YES	YES		
G60098	S29	BP11	1-3/8"		14.42	9.64	4.78	NO	YES		
G60099	EB1	ES25	1-3/8"		18.98	11.95	7.03	YES	NO		
G60100	EB1	S1	1-3/8"		18.95	11.67	7.28	YES	NO		
G60101	EB1	EB1	1-3/8"		22.48	13.70	8.78	YES	NO		
G60103	EB2	EB2	1-3/8"		21.29	13.26	8.03	YES	NO		
G60104	S1	ES17	1-3/8"		14.95	9.67	5.28	YES	NO		
G60105	S1	ES17	1-3/8"		16.95	10.92	6.03	YES	YES		
G60106	S4	ES17	1-3/8"		22.45	13.42	9.03	YES	NO		
G60107	S1	EB1	1-3/8"		22.45	13.42	9.03	YES	NO		
G60109	S1	ES17	1-3/8"		14.45	9.42	5.03	YES	NO		
G60110	BP1	ES130	1-3/8"		25.48	15.20	10.28	YES	NO		
G60111	ES82	ES82	1-3/8"		24.48	14.70	9.78	YES	NO		
G60112	ES3	ES82	1-3/8"		18.48	11.70	6.78	YES	NO		
G60113	EB1	ES24	1-3/8"		15.98	10.45	5.53	YES	NO		
G60114	S28	ES25	1-3/8"		15.09	10.06	5.03	NO	YES		
G60119	EB2	ES27	1-3/8"		24.14	14.61	9.53	YES	NO		
G60120	ES1	ES25	1-3/8"		18.41	11.88	6.53	YES	NO		
G60121	ES1	EB1	1-3/8"		14.98	10.20	4.78	YES	YES		
G60122	S17	ES114	1-3/8"		21.95	13.42	8.53	YES	YES		
G60124	S32	S32	1-3/8"		21.11	12.64	8.78	YES	NO		
G60128	EB2	EB2	1-3/8"		21.11	13.24	7.87	YES	NO		
G60129	S1	ES25	1-3/8"		22.45	13.42	9.03	YES	NO		
G60136	S1	ES17	1-3/8"		14.95	9.67	5.28	YES	NO		
G60137	S1	EB1	1-3/8"		22.95	13.67	9.28	YES	NO		
G60143	EB1	ES83	1-3/8"		26.98	15.95	11.03	YES	NO		
G60144	EB1	ES83	1-3/8"		22.98	13.95	9.03	YES	NO		
G60152	EB1	ES142	1-3/8"		19.64	12.36	7.28	YES	NO		
G60153	S1	ES113	1-3/8"		13.61	9.08	4.53	YES	NO		
G60154	S12	EB2	1-3/8"		21.11	13.08	8.03	YES	YES		
G60158	S36	ES83	1-3/8"		16.06	10.53	5.53	YES	YES		
G60160	ES152	ES153	1-3/8"		21.29	13.51	7.78	YES	YES		
G60161	BP33	ES83	1-3/8"		25.48	15.20	10.28	YES	NO		
G60162	S36	EB1	1-3/8"		14.56	9.78	4.78	YES	YES		
G60163	ES151	ES128	1-3/8"		16.48	10.95	5.53	YES	YES		
G60164	S1	EB1	1-3/8"		21.95	13.17	8.78	YES	NO		
G60165	S1	ES17	1-3/8"		14.95	9.67	5.28	YES	NO		
G60171	S36	EB1	1-3/8"		15.09	10.06	5.03	NO	YES		
G60176	S38	S38	1-3/8"		23.56	13.78	9.78	YES	NO		
G60177	S38	EB2	1-3/8"		23.68	14.15	9.53	YES	NO		
G60179	ES83	EB1	1-3/8"		27.48	16.20	11.28	YES	NO		

3

* Damping force, in pounds, to either extend or collapse the shock absorber at an average operating velocity.
 Fuerza de amortiguación en libras para extender o comprimir el amortiguador a una velocidad de operación promedio.
 La puissance d'amortissement en poids de l'amortisseur, soit comprimé, doit détendu, à une vitesse de fonctionnement moyenne.

SPECIFICATIONS BY PART NUMBER

ESPECIFICACIONES POR FIJACIÓN DE EXTREMIDADES

SPÉCIFICATIONS PAR FIXATION DES EXTRÉMITÉS

Gabriel	Mounting		Bore	External Diameter Illustration	Lengths			Dust Tube	Recoil Cutoff	Controls *	
	Upper	Lower			Extended	Collapsed	Stroke			Rebound	Compression
G60180	EB1	S7	1-3/8"		19.20	11.92	7.28	YES	YES		
G60181	S10	BP7	1-3/8"		16.33	10.80	5.53	YES	YES		
G60182	S36	EB1	1-3/8"		15.07	10.04	5.03	YES	YES		
G60183	S36	ES83	1-3/8"		22.57	14.29	8.28	YES	YES		
G60184	S36	ES83	1-3/8"		20.07	12.54	7.53	YES	YES		
G60185	EB7	ES36	1-3/8"		22.56	13.78	8.78	YES	NO		
G60186	EB5	ES83	1-3/8"		21.64	13.36	8.28	YES	NO		
G60194	S1	ES69	1-3/8"		14.45	9.42	5.03	YES	NO		
G60196	BP8	ES34	1-3/8"		23.98	14.45	9.53	YES	NO		
G60197	ES104	ES69	1-3/8"		24.14	14.61	9.53	YES	NO		
G60199	ES152	ES153	1-3/8"		23.79	15.01	8.78	YES	YES		
G60204	EB1	EB1	1-3/8"		24.98	14.95	10.03	YES	NO		
G60205	S1	ES34	1-3/8"		13.80	9.52	4.28	YES	YES		
G60206	ES34	ES34	1-3/8"		24.51	14.98	9.53	YES	NO		
G60214	ES82	ES82	1-3/8"		22.48	13.70	8.78	YES	NO		
G60216	S1	ES34	1-3/8"		22.30	13.77	8.53	YES	YES		
G60217	S1	ES34	1-3/8"		23.27	14.24	9.03	YES	YES		
G60218	ES34	ES34	1-3/8"		26.26	15.73	10.53	YES	NO		
G60219	ES69	ES69	1-3/8"		15.48	10.45	5.03	YES	YES		
G60221	S36	BP7	1-3/8"		18.01	13.48	4.53	YES	NO		
G60222	BP8	ES83	1-3/8"		24.98	14.95	10.03	YES	NO		
G60226	EB5	ES24	1-3/8"		21.14	13.36	7.78	YES	YES		
G60232	EB1	EB1	1-3/8"		18.98	11.95	7.03	YES	NO		
G60233	ES18	ES18	1-3/8"		17.98	11.45	6.53	YES	NO		
G60235	EB1	EB1	1-3/8"		27.48	16.20	11.28	YES	NO		
G60237	ES119	S38	1-3/8"		22.18	13.40	8.78	YES	NO		
G60238	S38	S38	1-3/8"		23.06	13.53†	9.53	YES	NO		
G60249	S39	ES83	1-3/8"		18.05	11.27	6.78	YES	NO		
G60250	S10	ES17	1-3/8"		15.89	10.11	5.78	YES	NO		
G60251	ES99	EB2	1-3/8"		19.64	12.36	5.08	YES	NO		
G60253	S1	ES153	1-3/8"		19.04	11.76	7.28	YES	NO		
G60255	ES110	ES19	1-3/8"		22.48	13.70	8.78	YES	NO		
G60257	S6	BP7	1-3/8"		15.39	9.86	5.53	YES	NO		
G60258	S12	ES25	1-3/8"		28.39	16.36	12.03	YES	NO		
G60259	S12	ES26	1-3/8"		15.39	9.86	5.53	YES	NO		
G60260	ES25	ES25	1-3/8"		22.98	13.95	9.03	YES	NO		
G60263	S6	ES22	1-3/8"		21.39	12.86	8.53	YES	NO		
G60264	S10	BP11	1-3/8"		12.27	8.03	4.24	YES	NO		
G60265	BP18	ES24	1-3/8"		19.51	12.23	7.28	YES	NO		
G60269	S12	EB2	1-3/8"		21.05	12.77	8.28	YES	NO		
G60301	S1	BP26	1-3/8"		14.10	9.34	4.76	YES	YES		
G60302	ES126	ES128	1-3/8"		16.48	10.87	5.61	YES	NO		
G60303	S1	ES17	1-3/8"		12.60	8.59	4.01	YES	YES		
G60304	S1	BP8	1-3/8"		14.70	9.34	5.36	YES	NO		
G60305	S1	ES17	1-3/8"		14.95	9.59	5.36	YES	NO		
G60306	S1	ES24	1-3/8"		14.70	9.34	5.36	NO	NO		
G60307	ES2	ES27	1-3/8"		20.45	12.59	7.86	YES	NO		
G60308	EB1	EB1	1-3/8"		20.23	12.37	7.86	YES	NO		
G60309	ES3	ES24	1-3/8"		18.23	11.37	6.86	YES	NO		
G60310	S1	ES17	1-3/8"		14.11	9.00	5.11	YES	NO		
G60312	S29	ES84	1-3/8"		21.15	16.49	4.66	YES	YES		
G60313	S1	BP7	1-3/8"		13.20	8.59	4.61	NO	NO		

* Damping force, in pounds, to either extend or collapse the shock absorber at an average operating velocity.
 Fuerza de amortiguación en libras para extender o comprimir el amortiguador a una velocidad de operación promedio.
 La puissance d'amortissement en poids de l'amortisseur, soit comprimé, doit détendu, à une vitesse de fonctionnement moyenne.

SPECIFICATIONS BY PART NUMBER

ESPECIFICACIONES POR FIJACIÓN DE EXTREMIDADES

SPÉCIFICATIONS PAR FIXATION DES EXTRÉMITÉS

Gabriel	Mounting		Bore	External Diameter Illustration	Lengths			Dust Tube	Recoil Cutoff	Controls *	
	Upper	Lower			Extended	Collapsed	Stroke			Rebound	Compression
G60329	EB1	EB1	1-3/8"		22.73	13.87	8.86	YES	YES		
G60330	S36	EB1	1-3/8"		14.72	9.71	5.01	YES	YES		
G60338	S1	BP17	1-3/8"		14.70	9.34	5.36	NO	NO		
G60353			1-3/8"		17.73	11.12	6.61	YES	NO		
G60354	S1	BP7	1-3/8"		14.20	9.09	5.11	NO	NO		
G61112	S6	BP35	1-3/8"		13.73	9.45	4.28	YES	YES		
G61113	EB1	ES83	1-3/8"		22.98	13.95	9.03	YES	NO		
G61114	S6	BP35	1-3/8"		17.95	13.42	4.53	YES	YES		
G61115	EB1	ES83	1-3/8"		26.98	15.95	11.03	YES	NO		
G61116	ES83	ES83	1-3/8"		20.76	12.98	7.78	YES	NO		
G61118	S12	ES25	1-3/8"	C	24.34	14.46	9.88	YES	NO		
G61121	S1	ES113	1-3/8"		18.54	11.76	6.78	YES	YES		
G61122	S1	ES118	1-3/8"		13.89	9.11	4.78	YES	NO		
G61124	S12	BP11	1-3/8"	C	14.59	10.21	4.38	YES	NO		
G61139	S1	EB1	1-3/8"		15.89	10.11	5.78	YES	NO		
G61140	S1	S12	1-3/8"		15.36	10.33	5.03	YES	NO		
G61144	S12		1-3/8"		15.36	10.33	5.03	YES	NO		
G61148	S36	EB1	1-3/8"		15.32	10.29	5.03	YES	NO		
G61149	EB1	ES83	1-3/8"		28.76	16.98	11.78	YES	NO		
G61150		ES83	1-3/8"		22.98	14.20	8.78	YES	NO		
G61151	EB1	ES83	1-3/8"		31.51	18.48	13.03	YES	NO		
G61152	EB1	ES83	1-3/8"		25.48	15.20	11.78	YES	NO		
G61153	ES34	ES36	1-3/8"		22.56	13.78	8.78	YES	NO		
G61154	S39	ES17	1-3/8"		12.23	8.45	3.78	YES	NO		
G61155	S39	EB1	1-3/8"		21.45	13.17	8.28	YES	YES		
G61156	S39		1-3/8"		21.95	13.17	8.78	YES	NO		
G61158	S12	ES60	1-3/8"		15.70	10.92	4.78	YES	NO		
G61159	ES126	ES128	1-3/8"		16.73	10.95	5.17	YES	NO		
630811			1-3/16"		22.45	14.10	8.35	NO	NO		
632147			1-3/16"		22.45	14.10	8.35	NO	NO		
632155	ES36	ES36	1-3/16"		22.45	14.10	8.35	NO	NO		
646155	ES36	ES36	1-3/16"		22.45	14.10	8.35	NO	NO		
665472	ES36	ES36	1-5/8"	G	25.14	15.61	9.53	NO	NO	925	977
665937	ES36	ES36	1-5/8"	G	22.91	16.09	6.82	YES	NO		
83001	ES149	EB1	1-3/8"	A	10.41†	8.36†	3.00	YES	NO	793	363
83002	ES10	ES10	1-3/8"	A	11.61	8.62	3.00	YES	YES	3112	590
83003	S1	BP7	1-3/8"	A	11.76	8.95†	3.4	YES	YES	248	100
83004	ES35	ES136	1"	2" D/T	9.36†	7.29	2.32	YES	YES	539	324
83005	BP8	S10	1-3/16"	2" D/T	7.34	5.87	1.47	YES	NO	858	216
83006	ES149	EB1	1-3/8"	A	10.66	8.48†	2.77	YES	YES	525	182
83007	EB1	EB1	1-3/8"	A	18.54	11.67	6.87	NO	NO	489	343
83008	ES136	ES136	1-3/8"	A	12.98†	10.15†	3.99	YES	YES	699	307
83009	ES149	ES149	1-3/8"	A	10.41†	8.36†	2.99	YES	YES	793	363
83010	ES24	ES24	1"	2" D/T	14.15†	9.33	5.07	YES	YES	188	70
83011	EB1	EB1	1-3/8"	A	11.55†	8.43	3.62	YES	YES	738	330
83012	EB1	EB1	1-3/8"	A	11.05†	8.18	3.37	YES	YES	738	330
83013	BP8	BP8	1-3/16"	2" D/T	7.66	6.63†	1.70	YES	NO	646	480
83014	S1	S1	1-3/8"	A	10.48	7.11	3.37	NO	NO	544	501
83015	BP8	S1	1-3/8"	A	9.79	7.55	2.24	YES	YES	735	430
83016	ES10	ES10	1"	1-5/8"	11.51	8.14	3.37	NO	YES	506	139
83017	ES149	ES149	1-3/8"	A	10.93	8.35†	3.13	YES	YES	353	138
83018	ES24	S1	1-3/8"	A	10.30†	8.42†	3.24	YES	YES	515	174

* Damping force, in pounds, to either extend or collapse the shock absorber at an average operating velocity.
 Fuerza de amortiguación en libras para extender o comprimir el amortiguador a una velocidad de operación promedio.
 La puissance d'amortissement en poids de l'amortisseur, soit comprimé, doit détendu, à une vitesse de fonctionnement moyenne.

† At bumper contact / Al contacto cone el tope de goma. / Au contact avec le butoir.

SPECIFICATIONS BY PART NUMBER

ESPECIFICACIONES POR FIJACIÓN DE EXTREMIDADES

SPÉCIFICATIONS PAR FIXATION DES EXTRÉMITÉS

Gabriel	Mounting		Bore	External Diameter Illustration	Lengths			Dust Tube	Recoil Cutoff	Controls *	
	Upper	Lower			Extended	Collapsed	Stroke			Rebound	Compression
83019	ES24	S1	1-3/8"	A	9.42	8.16†	2.28	YES	YES	509	121
83020	ES91	ES91	1-3/8"	A	9.41	7.17	2.24	YES	YES	796	255
83021	ES10	ES10	1-3/8"	A	9.36	7.37	1.99	YES	YES	745	315
83022	ES24	ES24	1"	2" D/T	14.28	9.33	4.95	YES	NO	840	152
83023	ES10		1"	1-5/8"	8.70	7.09†	2.14	NO	YES	484	157
83024	ES10	ES10	1-3/8"	2-1/2" D/T	11.61	8.62	2.99	YES	YES	811	320
83025	ES158	ES158	1-3/8"	A	7.98	6.49	1.49	YES	YES	710	230
83026	ES24	ES24	1-3/8"	A	13.11	9.12	3.99	YES	YES	602	104
83027	ES24	S10	1-3/8"	A	13.80	9.18	4.62	YES	YES	602	104
83028	ES86	ES167	1-3/8"	A	9.94	7.57	2.37	YES	YES	445	531
83029	ES168	ES169	1-5/8"	C	10.35	7.94	2.41	YES	NO	1303	1349
83030	ES136	ES136	1-3/8"	A	9.60†	7.61	2.49	YES	YES	308	87
83031	ES10	ES10	1-3/8"	2-1/2" D/T	11.49	8.62	2.87	YES	YES	811	314
83032	ES163	ES163	1-3/8"	A	7.85	6.36	1.49	NO	YES	779	135
83033	ES53	ES53	1-3/8"	A	13.99	10.37	3.62	YES	YES	494	312
83034	ES115	ES115	1-3/16"	1-5/8"	10.04†	7.32	2.97	NO	YES	430	129
83035	ES166	ES136	1-3/8"	A	12.96†	9.33	4.13	YES	YES	320	100
83038	ES149	EB1	1-3/8"	A	10.41†	8.36†	2.99	YES	YES	336	242
83039	ES149	ES149	1-3/8"	A	10.41†	8.36†	2.99	YES	YES	876	326
83040	ES171	ES172	1-3/8"	A	10.41†	8.36†	2.99	YES	YES	876	326
83041	BP27	S10	1-3/8"	A	10.51†	8.34†	3.02	YES	YES	486	189
83042	ES136	ES136	1-3/8"	A	9.88†	8.44†	2.38	YES	YES	954	541
83100	ES90	ES90	1-3/8"	A	26.60	16.11	10.49	YES	YES	481	142
83101	ES90	ES90	1-3/8"	A	24.60	15.11	9.49	YES	YES	481	142
83102	S21	S21	1-3/8"	A	22.94	13.56	9.38	YES	YES	513	333
83103	S21	S21	1-3/8"	A	19.64	11.89	7.75	YES	YES	517	301
83104	EB3	EB3	1-3/8"	A	28.24	17.12	11.12	YES	NO	698	133
83105	S40	ES160	1-3/8"	A	31.91	18.29	13.62	YES	NO	559	150
83106	S21	S21	1-3/8"	A	29.25	16.76	12.49	YES	NO	451	80
83107	EB2	EB2	1-3/8"	A	31.60	18.36	13.24	YES	NO	352	77
83109	ES36	S42	1-3/8"	A	26.14	15.90	10.24	YES	YES	345	78
83110	ES36	S42	1-3/8"	A	22.89	14.27	8.62	YES	YES	450	143
83111	ES36	S42	1-3/8"	A	26.14	15.90	10.24	YES	YES	560	141
83112	ES36	S42	1-3/8"	A	21.52	13.40	8.12	YES	YES	1064	343
83113	ES36	EB3	1-3/8"	A	20.42	13.43	6.99	YES	YES	997	238
83114	S40	ES35	1-3/8"	A	23.00	13.76	9.24	YES	NO	450	102
83115	ES36	EB3	1-3/8"	A	16.19	13.32	4.87	YES	YES	997	238
83116	ES164	ES165	1-3/8"	A	23.81	14.68	9.12	YES	NO	354	300
83117	EB4	EB1	1-3/8"	A	23.94	14.45	9.49	YES	NO	354	300
83118	ES164	ES90	1-3/8"	A	24.45	14.71	9.74	YES	NO	410	311
83119	EB4	ES165	1-3/8"	A	23.96	14.84	9.12	YES	NO	354	300
83120	ES120	S21	1-3/8"	A	22.12	13.63	8.49	YES	YES	779	164
83121	ES36	ES36	1-3/8"	A	30.25	18.32	11.93	YES	YES	689	126
83122	ES36	ES36	1-3/8"	A	25.24	15.75	9.49	YES	YES	661	201
83123	ES36	ES36	1-3/8"	A	26.62	16.38	10.24	YES	YES	589	119
83124	ES36	ES36	1-3/8"	A	21.65	13.75	7.87	YES	YES	750	137
83125	ES36	ES36	1-3/8"	A	28.12	17.13	10.99	YES	YES	625	115
83126	ES36	ES36	1-3/8"	A	24.37	15.25	9.12	YES	YES	625	115
83127	ES36	ES36	1-3/8"	A	20.12	13.13	6.99	YES	YES	940	218
83128	ES36	ES36	1-3/8"	A	16.87	11.51	5.37	YES	YES	940	218
83130	ES36	ES36	1-3/8"	A	17.99	12.01	5.99	YES	YES	871	177
83131	ES83	ES83	1-3/8"	A	27.80	18.18	9.62	YES	NO	212	129

* Damping force, in pounds, to either extend or collapse the shock absorber at an average operating velocity.
 Fuerza de amortiguación en libras para extender o comprimir el amortiguador a una velocidad de operación promedio.
 La puissance d'amortissement en poids de l'amortisseur, soit comprimé, soit détendu, à une vitesse de fonctionnement moyenne.

† At bumper contact / Al contacto con el tope de goma. / Au contact avec le butoir.

SPECIFICATIONS BY PART NUMBER

ESPECIFICACIONES POR FIJACIÓN DE EXTREMIDADES

SPÉCIFICATIONS PAR FIXATION DES EXTRÉMITÉS

Gabriel	Mounting		Bore	External Diameter Illustration	Lengths			Dust Tube	Recoil Cutoff	Controls *	
	Upper	Lower			Extended	Collapsed	Stroke			Rebound	Compression
83132	EB3	EB3	1-3/8"	A	25.24	15.50	9.74	YES	NO	828	150
83134	S21	ES36	1-3/8"	A	22.24	13.50	8.74	YES	NO	430	49
83135	ES90	ES90	1-3/8"	A	19.48	12.36	7.12	YES	YES	519	121
83136	S21	S21	1-3/8"	A	29.25	16.76	12.49	YES	NO	914	65
83137	ES36	ES36	1-3/8"	A	30.03	17.78	12.25	YES	YES	517	132
83138	ES36	S42	1-3/8"	A	23.55	14.42	9.12	YES	YES	997	231
83140	EB3	EB3	1-3/8"	A	25.27	15.52	9.75	YES	NO	738	88
83141	EB3	EB3	1-3/8"	A	25.27	15.52	9.75	YES	NO	408	113
83142	ES162	S42	1-3/8"	A	23.92	14.5	9.43	YES	YES	367	131
83143	ES162	S42	1-3/8"	A	21.92	13.5	8.43	YES	YES	403	137
83144	ES36	ES36	1-3/8"	A	23.78	15.03	8.75	YES	YES	596	93
83200	EB2	EB2	1-3/8"	A	24.51	14.98	9.53	YES	NO	806	370
83203	ES36	ES36	1-3/8"	A	17.10	11.36	5.74	YES	YES	609	114
83204	ES36	ES36	1-3/8"	A	20.14	12.86	7.28	YES	YES	451	110
83205	ES36	ES36	1-3/8"	A	29.69	17.69	12.00	YES	YES	660	76
83207	ES36	ES36	1-3/8"	A	21.64	13.61	8.03	YES	YES	553	143
83209	ES36	ES36	1-3/8"	A	29.64	17.61	12.03	YES	YES	670	78
83214	EB3	EB3	1-3/8"	A	19.64	12.86	6.78	YES	NO	269	90
83215	EB3	EB3	1-3/8"	A	26.64	16.36	10.28	YES	NO	661	125
83216	EB2	EB2	1-3/8"	A	23.51	14.48	9.03	YES	NO	776	262
83217	EB3	EB3	1-3/8"	A	22.77	14.49	8.28	YES	YES	539	202
83218	ES36	ES36	1-3/8"	A	25.19	15.44	9.75	YES	YES	721	194
83219	EB2	EB2	1-3/8"	A	20.01	12.73	7.28	YES	NO	299	125
83221	ES36	ES36	1-3/8"	A	24.01	14.73	9.28	YES	NO	599	153
83225	EB3	EB3	1-3/8"	A	24.14	15.11	9.03	YES	YES	482	159
83242	ES36	ES36	1-3/8"	A	33.73	20.98	12.75	YES	YES	721	135
83301	S16	ES90	1-3/8"	B	24.52	14.74	9.78	YES	YES	653	86
83303	EB7	ES36	1-3/8"	B	24.86	15.08	9.78	YES	NO	470	122
83304	EB7	ES36	1-3/8"	B	22.86	14.08	8.78	YES	NO	470	122
83308	EB2	EB2	1-3/8"	B	25.14	15.36	9.78	YES	YES	445	180
83309	EB2	EB2	1-3/8"	B	28.64	17.11	11.53	YES	YES	589	135
83310	ES36	ES36	1-3/8"	B	24.06	14.69	9.37	YES	NO	559	153
83312	EB2	EB2	1-3/8"	B	26.64	16.11	10.53	YES	YES	527	152
83314	EB2	EB2	1-3/8"	B	30.64	18.11	12.53	YES	YES	633	143
83317	S16	ES23	1-3/8"	B	27.33	15.99	11.34	YES	NO		
83318	S16	S16	1-3/8"	B	22.53	13.50	9.03	YES	NO	323	77
83353	EB3	S21	1-3/8"	B	24.84	15.06	9.78	YES	NO	432	214
83362	EB3	EB3	1-3/8"	B	27.00	16.25	10.75	YES	NO	539	202
83400	S1	S1	1-3/16"	F	22.02	12.82	9.20	YES	NO	301	120
83401	EB1	EB1	1-3/16"	F	24.09	14.26	9.83	YES	NO	341	252
83456	S21	S21	1-3/8"	B	24.03	14.25	9.78	YES	NO	566	80
83613	S16	S16	1-3/8"	A	21.04	12.76	8.28	YES			
83634	ES120	ES120	1-3/8"	A	27.48	16.23	11.25	YES	YES	779	157
83635	ES36	S21	1-3/8"	A	21.74	13.25	8.49	YES	NO	558	119
83636	ES90	ES90	1-3/8"	A	27.72	16.95	10.77	YES	YES	505	148
85000	ES36	ES36	1-5/8"	C	17.22	11.46	5.76	YES	YES	1019	219
85001	EB3	EB3	1-5/8"	C	26.27	16.36	9.91	YES	NO	1202	186
85003	ES90	ES90	1-5/8"	C	25.37	15.59	9.78	YES	YES	437	182
85004	EB3	EB3	1-5/8"	C	20.68	13.67	7.01	YES	YES	1019	219
85005	ES36	ES36	1-5/8"	C	24.74	15.21	9.53	YES	YES	1019	219
85006	ES36	ES36	1-5/8"	C	28.50	17.09	11.41	YES	YES	1019	219
85007	EB3	EB3	1-5/8"	C	24.21	15.30	8.91	YES	YES	1008	171

* Damping force, in pounds, to either extend or collapse the shock absorber at an average operating velocity.
 Fuerza de amortiguación en libras para extender o comprimir el amortiguador a una velocidad de operación promedio.
 La puissance d'amortissement en poids de l'amortisseur, soit comprimé, doit détendu, à une vitesse de fonctionnement moyenne.

SPECIFICATIONS BY PART NUMBER

ESPECIFICACIONES POR FIJACIÓN DE EXTREMIDADES

SPÉCIFICATIONS PAR FIXATION DES EXTRÉMITÉS

Gabriel	Mounting		Bore	External Diameter Illustration	Lengths			Dust Tube	Recoil Cutoff	Controls *	
	Upper	Lower			Extended	Collapsed	Stroke			Rebound	Compression
85009	S21	ES36	1-5/8"	C	23.52	14.36	9.16	YES	YES	857	144
85010	ES36	ES36	1-5/8"	C	26.74	16.21	10.53	YES	YES	1019	219
85011	ES120	ES121	1-5/8"	C	27.49	16.46	11.03	YES	NO	1268	186
85012	EB2	EB2	1-5/8"	C	21.00	13.22	7.78	YES	NO	523	199
85013	ES36	ES36	1-5/8"	C	29.74	17.71	12.03	YES	YES	1019	219
85014	ES36	ES36	1-5/8"	C	21.74	13.71	8.03	YES	YES	1019	219
85023	EB2	EB2	1-5/8"	C	20.24	12.96	7.28	YES	YES	1008	539
85024	EB2	EB2	1-5/8"	C	28.74	17.21	11.53	YES	YES	1008	539
85025	EB2	S21	1-5/8"	C	23.00	13.97	9.03	YES	NO	1079	539
85026	ES136	S21	1-5/8"	C	23.00	13.97	9.03	YES	NO	1079	539
85027	S21	S21	1-5/8"	C	21.52	12.99	8.53	YES	NO	1008	539
85029	ES36	ES36	1-5/8"	C	20.50	13.09	7.41	YES	YES	1019	219
85030	ES36	ES36	1-5/8"	C	24.00	14.84	9.16	YES	YES	1019	219
85031	ES176	EB2	1-5/8"	C	25.63	15.85	9.78	YES	NO	941	257
85033	S21	EB3	1-5/8"	C	27.21	17.37	9.84	YES	YES	764	254
85036	ES36	ES36	1-5/8"	C	26.38	16.29	10.09	YES	YES	633	119
85040	EB3	EB3	1-5/8"	C	30.90	18.49	12.41	YES	NO	889	114
85042	EB3	EB3	1-5/8"	C	20.64	13.61	7.03	YES	YES	333	161
85043	ES36	ES36	1-5/8"	C	27.63	16.85	10.78	YES	YES	628	163
85044	ES36	ES36	1-5/8"	C	22.63	14.10	8.53	YES	NO	722	212
85045	ES36	ES36	1-5/8"	C	14.51	10.10	4.41	YES	YES	1020	219
85046	EB2	EB2	1-5/8"	C	27.51	16.60	10.91	YES	YES	1008	539
85047	EB2	EB2	1-5/8"	C	25.25	15.47	9.78	YES	YES	1008	539
85048	S21	S21	1-5/8"	C	29.16	16.88	12.28	YES	NO	432	106
85049	S21	S21	1-5/8"	C	25.53	15.00	10.53	YES	NO	597	107
85050	ES36	ES36	1-5/8"	C	23.50	14.47	9.03	YES	NO	525	138
85051	ES36	ES36	1-5/8"	C	18.75	12.22	6.53	YES	YES	1019	139
85052	ES36	ES36	1-5/8"	C	13.25	9.47	3.78	YES	YES	1019	139
85053	EB3	EB3	1-5/8"	C	24.65	15.49	9.16	YES	NO	1019	227
85054	EB2	EB2	1-5/8"	C	23.26	14.35	8.91	YES	NO	602	104
85055	EB2	EB2	1-5/8"	C	25.63	15.60	10.03	YES	NO	577	102
85056	S21	ES36	1-5/8"	C	20.15	12.87	7.28	YES	YES	732	114
85057	ES36	EB3	1-5/8"	C	21.45	14.23	7.22	YES	YES	1216	115
85058	ES36	ES36	1-5/8"	C	22.63	14.22	8.41	YES	YES	722	114
85059	ES36	EB3	1-5/8"	C	19.07	12.79	6.28	YES	YES	928	151
85060	ES36	ES36	1-5/8"	C	19.75	12.72	7.03	YES	YES	943	405
85061	ES161	ES162	1-5/8"	C	24.75	15.22	9.53	YES	YES	1216	195
85062	EB2	EB2	1-5/8"	C	19.76	12.60	7.20	YES	NO	523	199
85063	EB2	EB2	1-5/8"	C	32.01	18.85	13.16	YES	NO	762	174
85064	ES36	ES36	1-5/8"	C	16.01	10.72	5.28	YES	YES	1481	340
85065	ES161	S21	1-5/8"	C	28.02	16.99	11.03	YES	YES	1059	300
85066	ES161	ES162	1-5/8"	C	24.63	15.22	9.41	YES	YES	812	322
85067	ES174	ES136	1-5/8"	C	30.51	18.10	12.41	YES	YES	676	170
85069	S21	S21	1-5/8"	C	26.28	15.94	10.34	YES	YES	762	255
85070	ES174	EB3	1-5/8"	C	25.60	15.82	9.78	YES	NO	1100	310
85071	S21	S21	1-5/8"	C	25.57	15.04	10.53	YES	NO	610	107
85072	ES36	ES176	1-5/8"	C	24.17	14.83	9.34	YES	YES	1387	305
85300	EB3	EB3	1-5/8"	D	18.00	12.22	5.78	YES	YES	1435	676
85301	EB3	EB3	1-5/8"	D	31.92	19.03	12.89	YES	NO	1442	455
85302	EB3	EB3	1-5/8"	D	22.75	14.66	8.09	YES	NO	836	253
85303	EB3	EB3	1-5/8"	D	24.75	15.47	9.28	YES	NO	1019	221
85304	EB3	EB3	1-5/8"	D	22.25	14.22	8.03	YES	NO	767	325

3

* Damping force, in pounds, to either extend or collapse the shock absorber at an average operating velocity.
 Fuerza de amortiguación en libras para extender o comprimir el amortiguador a una velocidad de operación promedio.
 La puissance d'amortissement en poids de l'amortisseur, soit comprimé, doit détendu, à une vitesse de fonctionnement moyenne.

SPECIFICATIONS BY PART NUMBER

ESPECIFICACIONES POR FIJACIÓN DE EXTREMIDADES

SPÉCIFICATIONS PAR FIXATION DES EXTRÉMITÉS

Gabriel	Mounting		Bore	External Diameter Illustration	Lengths			Dust Tube	Recoil Cutoff	Controls *	
	Upper	Lower			Extended	Collapsed	Stroke			Rebound	Compression
85305	EB3	EB3	1-5/8"	D	27.25	16.72	10.53	YES	NO	1120	225
85307	EB3	EB3	1-5/8"	D	24.01	15.10	8.91	YES	NO	1094	173
85308	EB3	EB3	1-5/8"	D	25.13	15.85	9.28	YES	YES	764	254
85310	S42	S42	1-5/8"	D	18.65	11.74	6.91	YES	YES	1379	578
85311	S21	EB3	1-5/8"	D	23.95	14.79	9.16	YES	YES	764	254
85312	EB3	S21	1-5/8"	D	23.69	14.85	8.84	YES	YES	717	111
85313	EB3	EB3	1-5/8"	D	26.26	16.35	9.91	YES	YES	717	111
85314	EB3	EB3	1-5/8"	D	26.50	16.47	10.03	YES	YES	1216	169
85315	EB3	EB3	1-5/8"	D	29.66	18.15	11.51	YES	NO	380	142
85316	S21	ES36	1-5/8"	D	20.61	12.85	7.76	YES	NO	943	443
85317	S21	EB3	1-5/8"	D	27.18	17.42	9.76	YES	YES	764	254
85318	S21	S21	1-5/8"	D	27.37	16.36	11.01	YES	YES	1372	192
85319	S21	ES150	1-5/8"	D	22.20	13.92	8.28	YES	YES	988	454
85320	EB3	EB3	1-5/8"	D	26.13	16.35	9.78	YES	NO	970	308
85321	ES36	ES36	1-5/8"	D	25.36	15.58	9.78	YES	YES	1435	676
85322	EB3	ES160	1-5/8"	D	15.26	11.85	3.41	YES	YES	764	162
85323	ES36	ES36	1-5/8"	D	17.36	11.58	5.78	YES	YES	1085	163
85324	S21	S21	1-5/8"	D	22.14	13.61	8.53	YES	NO	579	114
85325	S21	S21	1-5/8"	D	23.64	14.36	9.28	YES	NO	1024	240
85326	S21	S21	1-5/8"	D	19.64	12.36	7.28	YES	NO	799	142
85327	EB3	ES160	1-5/8"	D	16.01	12.10	3.91	YES	YES	764	162
85328	S21	S21	1-5/8"	D	25.64	15.36	10.28	YES	NO	930	383
85329	EB3	EB3	1-5/8"	D	24.50	15.47	9.03	YES	YES	1550	232
85330	EB3	S21	1-5/8"	D	22.44	14.16	8.28	YES	YES	1140	176
85331	ES158	ES159	1-5/8"	D	19.66	12.88	6.78	YES	YES	1757	396
85332	S42	ES36	1-5/8"	D	20.64	12.98	7.66	YES	YES	2351	967
85333	S42	ES36	1-5/8"	D	20.64	12.98	7.66	YES	YES	1241	534
85334	EB3	EB3	1-5/8"	D	14.50	10.47	4.03	YES	YES	1271	319
85335	ES158	ES159	1-5/8"	D	19.66	12.88	6.78	YES	YES	827	107
85336	S21	S21	1-5/8"	D	18.76	11.86	6.90	YES	NO	861	200
85337	ES36	ES36	1-5/8"	D	28.72	17.45	11.28	YES	YES	1318	374
85338	ES36	ES36	1-5/8"	D	19.47	12.7	6.77	YES	YES	1664	420
85376	EB3	EB3	1-5/8"	D	33.25	19.72	13.53	YES	NO	668	134
85700	EB3	EB3	1-5/8"	D	26.13	16.60	9.53	YES	YES	1446	328
85701	S21	S21	1-5/8"	D	15.64	10.36	5.28	YES	YES	914	204
85702	EB3	EB3	1-5/8"	D	23.76	15.85	7.91	YES	YES	1093	825
85703	S21	EB3	1-5/8"	D	29.57	18.54	11.03	YES	YES	1435	186
85704	EB3	EB3	1-5/8"	D	28.75	18.72	10.03	YES	YES	1435	186
85705	S21	S21	1-5/8"	D	23.65	14.24	9.41	YES	YES	639	436
85706	S21	S21	1-5/8"	D	23.65	14.24	9.41	YES	YES	1086	696
85707	S21	S21	1-5/8"	D	23.65	14.40	9.25	YES	YES	1761	986
85708	S21	S21	1-5/8"	D	20.64	12.86	7.78	YES	YES	914	204
85709	S21	S21	1-5/8"	D	31.64	18.36	13.28	YES	YES	700	203
85710	S21	EB3	1-5/8"	D	23.45	15.10	8.34	YES	YES	994	248
85711	S21	EB3	1-5/8"	D	24.57	15.29	9.28	YES	YES	1435	208
85712	EB3	EB3	1-5/8"	D	20.50	13.47	7.03	YES	YES	1435	562
85713	EB3	EB3	1-5/8"	D	24.50	15.47	9.03	YES	YES	1157	180
85714	EB3	EB3	1-5/8"	D	25.13	15.85	9.28	YES	YES	1220	175
85715	EB3	EB3	1-5/8"	D	25.13	15.85	9.28	YES	YES	1915	200
85716	EB3	EB3	1-5/8"	D	22.01	14.35	7.66	YES	YES	1220	175
85717	EB3	EB3	1-5/8"	D	25.13	15.85	9.28	YES	YES	1915	200
85718	EB3	EB3	1-5/8"	D	22.13	15.04	7.09	YES	YES	2506	206

* Damping force, in pounds, to either extend or collapse the shock absorber at an average operating velocity.
 Fuerza de amortiguación en libras para extender o comprimir el amortiguador a una velocidad de operación promedio.
 La puissance d'amortissement en poids de l'amortisseur, soit comprimé, doit détendu, à une vitesse de fonctionnement moyenne.

SPECIFICATIONS BY PART NUMBER

ESPECIFICACIONES POR FIJACIÓN DE EXTREMIDADES

SPÉCIFICATIONS PAR FIXATION DES EXTRÉMITÉS

Gabriel	Mounting		Bore	External Diameter Illustration	Lengths			Dust Tube	Recoil Cutoff	Controls *	
	Upper	Lower			Extended	Collapsed	Stroke			Rebound	Compression
85719	EB3	EB3	1-5/8"	D	17.25	11.97	5.28	YES	YES	1517	213
85720	EB3	EB3	1-5/8"	D	20.50	13.47	7.03	YES	YES	1435	562
85722	S21	S21	1-5/8"	D	27.15	16.43	10.72	YES	YES	1264	369
85723	EB3	S21	1-5/8"	D	19.94	12.91	7.03	YES	YES	1318	248
85724	ES158	ES159	1-5/8"	D	22.78	14.50	8.28	YES	YES	1235	454
85727	S21	S21	1-5/8"	D	29.89	17.36	12.53	YES	YES	783	111
85728	S21	S21	1-5/8"	D	24.39	14.86	9.53	YES	YES	1435	510
85729	EB3	S21	1-5/8"	D	21.58	13.80	7.78	YES	YES	783	111
85730	EB3	EB3	1-5/8"	D	30.75	18.72	12.03	YES	YES	1517	293
85731	S21	EB3	1-5/8"	D	30.57	18.54	12.03	YES	YES	1517	293
85732	EB3	EB3	2-1/16"	E	22.13	15.11	7.03	YES	YES	2632	382
85733	EB3	S21	1-5/8"	D	23.57	14.73	8.84	YES	YES	717	111
85734	EB3	EB3	1-5/8"	D	20.74	13.71	7.03	YES	YES	1288	227
85735	EB3	EB3	1-5/8"	D	26.74	16.71	10.03	YES	YES	1288	227
85736	EB3	EB3	1-5/8"	D	23.62	15.21	8.41	YES	YES	1155	352
85737	ES173	ES173	1-5/8"	D	15.11	10.84	4.27	YES	YES	3066	782
85738	ES36	ES36	1-5/8"	D	17.47	11.7	5.77	YES	YES	1830	416
85900	S21	S21	1-5/8"	G	17.27	11.16	6.11	YES	YES	1467	337
85901	EB3	EB3	1-5/8"	G	29.05	17.64	11.41	YES	NO	1830	418
85902	S21	S21	1-5/8"	G	19.01	12.03	6.98	YES	YES	1441	267
85903	ES36	ES36	1-5/8"	G	31.99	19.13	12.86	YES	YES	666	113
85904	ES36	ES36	1-5/8"	G	27.61	16.88	10.73	YES	YES	666	113
85905	ES36	EB3	1-5/8"	G	23.81	16.16	7.66	YES	YES	1020	219
85906	ES36	ES36	1-5/8"	G	21.73	14.00	7.73	YES	YES	700	255
85907	ES36	EB3	1-5/8"	G	21.43	14.20	7.23	YES	YES	1216	251
85908	ES36	ES36	1-5/8"	G	18.48	12.25	6.23	YES	YES	1020	219
85909	ES36	ES36	1-5/8"	G	24.24	15.13	9.11	YES	YES	700	255
85910	ES36	ES36	1-5/8"	G	20.73	13.50	7.23	YES	YES	1074	219
85911	ES36	ES36	1-5/8"	G	16.86	11.50	5.36	YES	YES	1020	219
85912	EB3	ES36	1-5/8"	G	18.68	12.57	6.11	YES	YES	1020	219
85913	ES36	EB3	1-5/8"	G	22.56	15.20	7.36	YES	YES	1020	219
85914	ES36	ES36	1-5/8"	G	14.36	10.25	4.11	YES	YES	1020	219
85915	ES36	EB3	1-5/8"	G	19.06	12.70	6.36	YES	YES	1020	219
85916	ES36	EB3	1-5/8"	G	24.61	15.51	9.11	YES	YES	1149	219
85918	ES150	ES150	1-5/8"	G	22.96	14.55	8.41	YES	NO	1726	412
85919	ES36	ES36	1-5/8"	G	22.48	14.25	8.23	YES	YES	1265	121
85920	ES150	ES150	1-5/8"	G	21.19	13.53	7.66	YES	NO	845	49
85921	S21	ES36	1-5/8"	G	22.03	13.50	8.53	YES	NO	2053	339
85922	ES150	ES150	1-5/8"	G	21.19	13.53	7.66	YES	NO	878	185
85923	ES177	ES161	1-5/8"	G	22.48	14.50	7.98	YES	YES	1940	221
85924	ES90	ES36	1-5/8"	G	20.41	12.96	7.46	YES	NO	1036	122
85925	ES90	ES90	1-5/8"	G	22.54	15.59	6.96	YES	NO	761	144
85926	ES90	ES90	1-5/8"	G	26.48	17.96	8.53	YES	YES	1387	279
85927	ES90	ES90	1-5/8"	G	24.74	15.38	9.36	YES	YES	1288	388
85928	ES90	ES90	1-5/8"	G	20.28	13.21	7.08	YES	NO	957	229
85929	ES90	ES90	1-5/8"	G	20.28	13.21	7.08	YES	NO	2214	267
85930	ES177	ES161	1-5/8"	G	17.86	12.00	5.86	YES	YES	1617	342
85931	ES177	ES161	1-5/8"	G	22.48	14.50	7.98	YES	YES	1435	220
85932	ES178	ES150	1-5/8"	G	21.23	13.62	7.61	YES	YES	1102	430
85933	ES175	ES175	1-5/8"	G	18.23	12.71	5.52	YES	YES	1089	383
85934	ES36	ES36	1-5/8"	G	17.73	12.00	5.73	YES	YES	3511	1063
85935	S21	ES36	1-5/8"	G	18.70	11.92	6.78	YES	NO	1054	419

3

* Damping force, in pounds, to either extend or collapse the shock absorber at an average operating velocity.
 Fuerza de amortiguación en libras para extender o comprimir el amortiguador a una velocidad de operación promedio.
 La puissance d'amortissement en poids de l'amortisseur, soit comprimé, doit détendu, à une vitesse de fonctionnement moyenne.

SPECIFICATIONS BY PART NUMBER

ESPECIFICACIONES POR FIJACIÓN DE EXTREMIDADES

SPÉCIFICATIONS PAR FIXATION DES EXTRÉMITÉS

Gabriel	Mounting		Bore	External Diameter Illustration	Lengths			Dust Tube	Recoil Cutoff	Controls *	
	Upper	Lower			Extended	Collapsed	Stroke			Rebound	Compression
85936	ES174	S43	1-5/8"	G	17.23	11.38	5.85	YES	YES	1479	337
85937	ES174	S43	1-5/8"	G	18.98	12.26	6.72	YES	YES	1479	337
85938	ES36	ES36	1-5/8"	G	16.06	10.78	5.28	YES	YES	1581	432
85939	ES36	ES36	1-5/8"	G	14.44	10.03	4.41	YES	YES	1719	420
87000	S21	EB3	2-1/16"	E	24.46	15.21	9.25	YES	YES	1332	300
87001	EB3	EB3	2-1/16"	E	20.76	13.76	7.00	YES	YES	1158	190
87002	EB3	EB3	2-1/16"	E	23.5	15.41	8.09	YES	YES	879	203
87003	EB3	EB3	2-1/16"	E	26.26	16.51	9.75	YES	YES	1332	395
87004	EB3	EB3	2-1/16"	E	26.76	16.76	10.00	YES	YES	1158	190
87006	EB3	EB3	2-1/16"	E	23.75	15.25	8.50	YES	YES	1158	272
87011	S21	S21	2-1/16"	E	23.65	14.40	9.25	YES	YES	1750	1050
87012	S21	S21	2-1/16"	E	23.65	14.40	9.25	YES	YES	650	364
87013	S21	S21	2-1/16"	E	23.65	14.40	9.25	YES	YES	1075	585
87015	ES173	ES173	45MM	E	15.51	11.18	4.33	YES	YES	4950	900
89401	EB2	EB2	1-5/8"	G	28.41	17.16	11.25	YES	NO	665‡	194‡
89402	EB2	EB2	1-5/8"	G	24.41	15.16	9.25	YES	NO	874‡	206‡
89403	EB2	EB2	1-5/8"	G	26.86	17.16	9.70	YES	YES	929‡	281‡
89405	ES36	ES36	1-5/8"	G	26.24	16.41	9.83	YES	YES	1009‡	249‡
89406	ES36	ES36	1-5/8"	G	24.74	15.66	9.08	YES	YES	658‡	125‡
89407	ES36	ES36	1-5/8"	G	21.62	14.04	7.58	YES	YES	652‡	218‡
89408	EB2	EB2	1-5/8"	G	19.67	12.79	6.88	YES	NO	536‡	201‡
89409	EB2	EB2	1-5/8"	G	26.36	16.41	9.95	YES	YES	567‡	165‡
89410	EB3	EB3	1-5/8"	G	26.33	16.42	9.91	YES	NO	1185‡	182‡
89411	ES90	ES90	1-5/8"	G	25.36	15.59	9.78	YES	YES	436‡	186‡
89412	EB3	EB3	1-5/8"	G	24.26	15.68	8.58	YES	YES	1155‡	169‡
89413	EB2	EB2	1-5/8"	G	20.91	13.41	7.50	YES	NO	536‡	201‡
89414	ES36	ES36	1-5/8"	G	29.62	18.04	11.58	YES	YES	1045‡	217‡
89415	EB2	EB2	1-5/8"	G	20.12	13.29	6.83	YES	YES	1155‡	514‡
89416	EB2	EB2	1-5/8"	G	28.62	17.54	11.08	YES	YES	1155‡	514‡
89417	ES136	S21	1-5/8"	G	22.93	14.18	8.75	YES	NO	1226‡	515‡
89418	S21	S21	1-5/8"	G	21.44	13.19	8.25	YES	NO	1266‡	515‡
89419	EB3	EB3	1-5/8"	G	18.00	12.55	5.45	YES	YES	1352‡	636‡
89420	EB3	EB3	1-5/8"	G	22.81	14.68	8.13	YES	NO	862‡	258‡
89422	EB3	EB3	1-5/8"	G	25.13	16.18	8.95	YES	YES	794‡	253‡
89423	S21	S21	1-5/8"	G	18.65	12.07	6.58	YES	YES	1352‡	573‡
89424	S21	EB3	1-5/8"	G	23.70	15.00	8.70	YES	YES	794‡	253‡
89425	EB3	EB3	1-5/8"	G	26.50	16.80	9.70	YES	YES	1352‡	167‡
89426	S21	ES36	1-5/8"	G	20.43	12.93	7.50	YES	NO	926‡	419‡
89427	S21	EB3	1-5/8"	G	27.20	17.50	9.70	YES	YES	794‡	253‡
89428	S21	ES150	1-5/8"	G	21.96	14.13	7.83	YES	YES	958‡	446‡
89429	EB3	EB3	1-5/8"	G	26.18	16.43	9.75	YES	NO	553‡	266‡
89430	ES36	ES36	1-5/8"	G	24.74	15.54	9.53	YES	YES	1462‡	279‡
89431	ES36	ES36	1-5/8"	G	22.41	14.16	8.25	YES	NO	751‡	211‡
89432	ES36	ES36	1-5/8"	G	23.41	14.66	8.75	YES	NO	1507‡	561‡
89434	EB2	EB2	1-5/8"	G	27.12	16.79	10.33	YES	YES	1155‡	514‡
89435	EB2	EB2	1-5/8"	G	24.86	15.66	9.20	YES	YES	1155‡	514‡
89436	ES36	ES36	1-5/8"	G	17.24	11.91	5.33	YES	YES	998‡	217‡
89437	ES36	ES36	1-5/8"	G	20.12	13.29	6.83	YES	YES	1155‡	514‡
89438	EB2	EB2	1-5/8"	G	23.17	14.54	8.63	YES	NO	583‡	103‡
89439	EB2	EB2	1-5/8"	G	25.67	15.79	9.88	YES	NO	518‡	103‡
89440	ES36	ES36	1-5/8"	G	23.86	15.16	8.70	YES	YES	1498‡	561‡
89441	S21	ES36	1-5/8"	G	20.14	13.06	7.08	YES	YES	761‡	126‡

* Damping force, in pounds, to either extend or collapse the shock absorber at an average operating velocity.
 Fuerza de amortiguación en libras para extender o comprimir el amortiguador a una velocidad de operación promedio.
 La puissance d'amortissement en poids de l'amortisseur, soit comprimé, doit détendu, à une vitesse de fonctionnement moyenne.

‡ For GasSLX Series, forces are at the "Firm" (F) setting. / Para la serie Gas SLX, las fuerzas están ajustadas en (F) "Firme". / Pour la série GasSLX, le réglage de la force est sur « Ferme » (F).
 XpresswayPlus.ArvinMeritor.com Contact Customer Care

SPECIFICATIONS BY PART NUMBER

ESPECIFICACIONES POR FIJACIÓN DE EXTREMIDADES

SPÉCIFICATIONS PAR FIXATION DES EXTRÉMITÉS

Gabriel	Mounting		Bore	External Diameter Illustration	Extended	Lengths		Stroke	Dust Tube	Recoil Cutoff	Controls *	
	Upper	Lower				Collapsed	Rebound				Compression	
89442	EB3	EB3	1-5/8"	G	24.55	15.55	9.00	YES	NO	1055‡	224‡	
89443	ES158	ES159	1-5/8"	G	22.17	14.31	7.86	YES	YES	1206‡	466‡	
89446	EB2	EB2	1-5/8"	G	28.36	17.41	10.95	YES	YES	702‡	204‡	
89447	S21	S21	1-5/8"	G	23.65	14.57	9.08	YES	YES	702‡	241‡	
89448	ES161	ES162	1-5/8"	G	24.62	15.54	9.08	YES	YES	782‡	323‡	
89449	ES150	ES150	1-5/8"	G	23.09	14.71	8.38	YES	NO	1519‡	324‡	
89450	ES161	ES162	1-5/8"	G	24.62	15.54	9.08	YES	YES	1282‡	193‡	
89451	ES174	ES136	1-5/8"	G	30.36	18.41	11.95	YES	YES	645‡	172‡	
89453	ES178	ES150	1-5/8"	G	21.10	13.78	7.32	YES	YES	860‡	435‡	
89454	ES175	ES175	1-5/8"	G	18.23	12.78	5.45	YES	YES	938‡	388‡	
89455	S21	S21	1-5/8"	G	26.28	15.92	10.36	YES	YES	791‡	276‡	
89456	ES174	S43	1-5/8"	G	17.02	11.29	5.73	YES	YES	975‡	377‡	

* Damping force, in pounds, to either extend or collapse the shock absorber at an average operating velocity.
 Fuerza de amortiguación en libras para extender o comprimir el amortiguador a una velocidad de operación promedio.
 La puissance d'amortissement en poids de l'amortisseur, soit comprimé, doit détendu, à une vitesse de fonctionnement moyenne.

‡ For GasSLX Series, forces are at the "Firm" (F) setting. / Para la serie Gas SLX, las fuerzas están ajustadas en (F) "Firme". / Pour la série GasSLX, le réglage de la force est sur « Ferme » (F).

NOTES

3



MERITOR®

an **ArvinMeritor** brand

MERITOR NO.	PAGE NO.	MERITOR NO.	PAGE NO.	MERITOR NO.	PAGE NO.
R301835	1-39, 1-64, 1-65, 1-77, 1-79, 1-147, 1-151, 1-155, 1-161, 1-163, 1-167, 1-171, 1-177, 1-179, 1-181, 1-199, 1-245, 1-284, 1-285, 1-287, 1-289, 1-290, 1-291, 1-299, 1-505, 1-507, 1-517, 1-523, 1-529, 1-531, 1-533, 1-543, 2-27, 2-34	R301967	1-535, 1-537, 1-539, 1-554, 1-557	R301996	1-595, 1-597
R301840	1-99, 1-177, 1-189	R301969	1-535, 1-537, 1-539, 1-554, 1-556	R301997	1-595, 1-596, 1-597, 2-32
R301842	1-167, 1-171, 1-177, 1-179, 1-181, 1-199	R301969	1-535, 1-537, 1-539, 1-554, 1-556	R301998A	1-595, 1-596
R301849	1-175, 1-198	R301970	1-535, 1-537, 1-539, 1-554	R301999A	1-77, 1-79, 1-245, 1-247, 1-251, 1-263, 2-19, 2-21, 2-48
R301850	1-89, 1-198	R301971	1-509, 1-513, 1-521, 1-529, 1-531, 1-535, 1-536, 1-538, 1-543, 1-562, 1-563, 1-592, 1-599	R302000	1-77, 1-79, 1-79, 1-242, 1-245, 1-247, 1-251, 1-284, 1-285
R301851	1-89, 1-198	R301972	1-509, 1-513, 1-521, 1-529, 1-531, 1-535, 1-536, 1-538, 1-541, 1-543, 1-562, 1-592, 1-599	R302001	1-77, 1-79, 1-79, 1-242, 1-245, 1-247, 1-251, 1-284, 1-285, 1-600, 1-602, 1-603
R301852	1-175, 1-179, 1-198	R301974	1-509, 1-513, 1-519, 1-521, 1-525, 1-527, 1-531, 1-535, 1-536, 1-538, 1-542, 1-562, 1-592, 1-599, 2-35	R302002	1-3, 1-77, 1-78, 1-245, 1-247, 1-251, 1-264, 1-285, 1-551, 1-561, 1-562, 1-600, 1-602, 1-603, 2-34
R301853	1-175, 1-179, 1-198	R301975	1-509, 1-513, 1-521, 1-529, 1-531, 1-535, 1-538, 1-543, 1-557, 1-562, 1-592, 1-594, 1-595, 1-599	R302003	1-77, 1-78, 1-245, 1-247, 1-251, 1-284, 2-19
R301854	1-195, 2-33	R301980	1-3, 1-4, 1-25, 1-27, 1-28, 1-29, 1-30, 1-65, 1-226, 1-227, 1-519, 1-521, 1-531, 1-532, 1-541, 1-545, 1-547, 1-541, 1-545, 1-549, 1-558, 1-594, 1-568, 1-598, 2-19, 2-21, 1-565, 1-598, 2-39, 2-36, 2-41, 2-43, 2-49	R302004	1-242, 1-263
R301855	1-195, 2-33	R301981	1-25, 1-27, 1-28, 1-29, 1-30, 1-65, 1-226, 1-227, 1-519, 1-521, 1-531, 1-532, 1-541, 1-545, 1-549, 1-558, 1-594, 1-568, 1-598, 2-19, 2-21, 1-565, 1-598, 2-39, 2-36, 2-41, 2-43, 2-49	R302009	1-347, 1-373, 1-381, 1-405, 1-407, 1-451, 1-453, 1-455, 2-19
R301856	1-195, 2-33			R302010	1-425, 1-451, 1-592, 1-59
R301859	1-175, 1-179, 1-181, 1-198			R302011	1-213, 1-2
R301860	1-33, 1-40, 1-200, 1-201			R302017	1-213, 2
R301869	1-89, 1-175, 1-179, 1-181, 1-200, 1-201			R302018	1-169, 1-179, 1-191
R301876	1-201			R302021	1-35
R301877	1-201			R302022	1-5
R301878	1-201				1-5

MERITOR AFTERMARKET PARTS WARRANTY

All new parts for one year from date of shipment to the buyer against defective workmanship (but not against damage caused by accident, abuse or improper installation) when such parts are used on vehicles the specifications of which have been furnished by Meritor.

Meritor's exclusive remedy under this warranty, at our option, is to repair or replace the defective part, or take back the nonconforming parts and refund the monies paid by buyer when such parts are used on vehicles the specifications of which have been furnished by Meritor.

It is necessary to return any parts under this warranty, buyer agrees not to make any claim or take back the nonconforming parts and refund the monies paid by buyer when such parts are used on vehicles the specifications of which have been furnished by Meritor.

THIS WARRANTY IS EXPRESSLY IN LIEU OF ALL OTHER WARRANTIES, INCLUDING ANY IMPLIED WARRANTY OF MERCHANTABILITY OR FITNESS FOR PARTICULAR PURPOSE, IN NO EVENT SHALL MERITOR BE LIABLE FOR CONSEQUENTIAL DAMAGES OF ANY KIND.

- MASTER PART NUMBER INDEX
- MERITOR WARRANTY

REFERENCE SECTION FOUR

NUMERICAL LISTING OF MERITOR PART NUMBERS

MERITOR NO.	PAGE NO.	MERITOR NO.	PAGE NO.	MERITOR NO.	PAGE NO.
145054	1-383, 3-2	KIT11347	1-322	R301019	1-48,1-51,1-53,1-55, 1-57,1-64,1-65,1-66
2255D1408	1-325	KIT11348	1-322	R301020	1-49,1-51,1-53,1-55, 1-57,1-64,1-65,1-66, 2-19, 2-53
3216S4023	2-45, 2-46	KIT5100	2-45	R301021	1-49,1-51,1-53,1-55, 1-57,1-64,1-65,1-66, 2-35
3216T4024	2-45	KIT5101	2-45	R301023	1-49,1-51,1-53,1-55, 1-57,1-61,1-63,1-67, 2-19, 2-36, 2-41
A2297J1050	2-15, 2-50, 2-51	KIT5102	2-45	R301024	1-48,1-51,1-52,1-55, 1-57,1-64,1-65,1-66, 2-19
A2297V4806	1-278, 1-281, 2-52	KIT5103	2-46	R3010250	1-549, 1-552
A23216D4632K	1-315	KIT5113	2-46	R3010263	1-202
A3106B158	2-45	KIT5114	2-46	R3010264	1-202
A3106C159	2-45, 2-46	KIT5115	2-46	R3010265	1-202
A3106E161	2-45, 2-46	KIT5116	2-46	R3010266	1-202, 1-204
A3106F162	2-45, 2-46	KIT5117	2-46	R3010267	1-202
A3106G163	2-45, 2-46	KIT5118	2-46	R3010276	1-203, 1-204
A3106W153	2-45, 2-46	KIT5119	2-46	R3010277	1-203, 1-204
A3106X154	2-45, 2-46	KIT5120	2-46	R3010302	1-280
A3106Y155	2-45, 2-46	KIT5121	2-46	R3010303	1-280, 1-281
A3133G8249	1-315, 1-320	M301530	1-315, 1-320	R3010308	1-210, 1-213
A3256H1152	1-320, 1-321	M301532	1-315	R3010309	1-131, 1-210, 1-213
A3256H1152	2-64	M301551	1-320	R3010310	1-210, 1-212
A3256R1188	1-325	M302502	1-315, 1-320	R3010311	1-177, 1-210, 1-212
A7806X1038	1-322	M306531	1-324	R3010312	1-210, 1-212
A7806Y1013	1-317, 1-319, 1-325	M306532	1-325	R3010313	1-210, 1-212
A7806Y1039	1-323	M306533	1-325	R3010314	1-210, 1-212
A7806Z1014	1-317, 1-319, 1-325	M306537	1-325	R3010315	1-210, 1-212
KIT11102	1-320	M306538	1-317, 1-319, 1-325	R3010316	1-210, 1-212
KIT11106	1-321, 2-63	R004961A	1-35,1-36, 1-42, 1-44, 1-74, 1-75, 1-199, 1-315, 1-505, 1-507, 1-523, 1-529, 1-545, 2-30, 2-34	R3010317	1-210, 1-212
KIT11107	1-320, 2-63	R005032	1-509, 1-513, 1-519, 1-521, 1-525, 1-527, 1-529, 1-531, 1-535, 1-537, 1-538, 1-541, 1-562, 1-592, 1-599, 2-34	R3010318	1-210, 1-212
KIT11200	1-317, 1-319, 1-324	R3010060	1-205	R3010319	1-210, 1-212
KIT11201	1-317, 1-324	R3010061	1-205	R3010320	1-210, 1-213
KIT11202	1-317, 1-324	R3010062	1-205	R3010321	1-210, 1-213
KIT11203	1-317, 1-319, 1-324	R3010063	1-205	R3010322	1-147, 1-157, 1-165, 1-211, 1-213, 1-231
KIT11204	1-319, 1-324	R3010064	1-205	R301038	1-242, 1-265, 1-266, 1-267, 2-19, 2-37, 2-53
KIT11205	1-319, 1-324	R3010066	1-205	R301061	1-535, 1-537, 1-539, 1-541, 1-558, 1-562, 1-563, 1-568, 2-21, 2-38, 2-48
KIT11206	1-325	R3010068	1-205	R3010677	1-590
KIT11207	1-325	R3010069	1-205	R3010678	1-343
KIT11300	1-320, 2-63	R3010070	1-205	R3010686	1-385
KIT11301	1-321, 2-63	R3010071	1-205		
KIT11302	1-321, 2-63	R3010072	1-205		
KIT11304	1-321, 2-63	R3010073	1-205		
KIT11308	1-315, 1-321, 2-62	R3010116	1-287, 1-303		
KIT11309	1-324, 2-62	R301018	1-49,1-51,1-53,1-55, 1-57,1-61,1-63,1-67		
KIT11332	1-324, 2-62				
KIT11333	1-324, 2-62				
KIT11340	1-323				
KIT11343	1-323				
KIT11345	1-323				
KIT11346	1-322				

NUMERICAL LISTING OF MERITOR PART NUMBERS

MERITOR NO.	PAGE NO.	MERITOR NO.	PAGE NO.	MERITOR NO.	PAGE NO.
R301072	1-513, 1-521, 1-531, 1-553, 1-554, 1-555, 1-556, 1-594, 1-595, 1-596, 1-597, 1-601, 1-602, 2-19, 2-49	R301159	1-509, 1-554, 1-555, 2-19, 2-53	R301334	1-437, 1-448, 2-19, 2-50
R3010729A	1-133, 1-143, 1-225	R301160	1-509, 1-513, 1-517, 1-558, 1-560, 1-568, 1-569, 2-19, 2-38, 2-43, 2-53	R301335	1-439, 1-449, 2-50
R301073	1-242, 1-265, 1-266	R301166	1-61, 1-66, 1-509, 1-513, 1-517, 1-519, 1-521, 1-523, 1-525, 1-527, 1-538, 1-541, 1-558, 1-559, 2-32	R301336	1-437, 1-449, 2-49
R3010730A	1-133, 1-143, 1-225	R3011728	1-260, 1-269	R301338	1-89, 1-177, 1-186, 1-187, 1-189, 2-19, 2-53
R301074	1-49, 1-51, 1-53, 1-55, 1-57, 1-61, 1-63, 1-67, 1-242, 1-265, 2-35	R3011748	1-211	R301339	1-186, 1-187, 1-189, 1-194, 2-19, 2-20, 2-53
R301075	1-242, 1-265, 1-267, 2-19, 2-37	R3011749	1-497, 1-498	R301340	1-74, 1-89, 1-191, 1-192, 2-19, 2-50
R3010754	1-133	R3011764	1-320	R301341A	1-74, 1-75, 1-141, 1-169, 1-173, 1-177, 1-179, 1-191, 1-192, 1-193, 1-194, 1-589, 1-590, 2-19, 2-50
R3010755	1-133	R3011784	1-211	R301351	1-214, 2-49
R3010758	1-63	R301181	1-555	R301352	1-214, 2-49
R3010764	1-327, 1-329	R3011820	1-212	R301353	1-214
R3010765	1-327	R3011821	1-212	R301354	1-214, 2-34
R3010766	1-279	R3011831	1-133, 1-143	R3013901	1-561
R3010767	1-279	R3011853	2-3	R3013909	2-58
R3010768A	1-509, 1-552	R3011855	2-57	R3013910	2-58
R3010772	1-533	R3011870	1-147, 1-151, 1-157, 1-161, 1-165, 2-57	R3013911	2-58
R3010773	1-533	R3011995	1-193	R3013912	2-58
R3010774	1-517	R3011996	1-193	R3013913	2-58
R3010775	1-517	R3012001	1-183	R3013914	2-59
R3010778	1-63	R301204	1-601, 1-602, 2-32	R3013915	2-59
R3010799	1-411, 1-463	R301206	1-601, 1-602	R3013916	2-59
R3011057	1-538, 1-541, 1-558, 1-559, 1-568, 1-569, 2-38, 2-43	R3012525	1-517, 1-523, 1-533, 1-591, 2-60, 2-61	R3013917	2-59
R3011058	1-175, 1-179, 1-198	R301277	1-601, 1-602	R3013918	2-59
R301107	1-345, 1-347, 1-351, 1-359, 1-363, 1-365, 1-367, 1-369, 1-371, 1-373, 1-381, 1-397, 1-401, 1-405, 1-407, 1-411, 1-413, 1-415, 1-417, 1-419, 1-421, 1-431, 1-433, 1-601, 1-602, 2-34, 2-56	R301279	1-25, 1-27, 1-28, 1-30, 1-601, 1-604, 1-607, 1-609, 1-614	R3013919	2-59
R3011293	2-56	R301307	1-89, 1-175, 1-179, 1-181, 1-183, 1-200, 1-201	R3013920	2-60
R3011305	1-533	R301312A	1-509, 1-513, 1-517, 1-558, 1-568, 1-569, 2-38, 2-43	R3013921	2-60
R3011393	1-609	R301313	1-558, 1-568, 2-38	R3013922	1-474, 2-60
R3011447	1-210, 1-213	R301326	1-437, 1-451	R3013961	1-197, 1-227, 2-52
R3011448	1-267, 2-37	R301329A	1-447, 1-452, 1-465	R3013962	1-197
R3011452	1-247, 1-257, 1-263	R301330	1-441, 1-445, 1-447, 1-452, 1-483, 1-486, 2-19	R3013963	1-197, 2-52
R3011464	2-57	R301331	1-425, 1-437, 1-452, 1-465, 1-592, 1-599, 2-19	R3013964	1-197, 2-52
R3011465	2-57	R301332	1-427, 1-429, 1-447, 1-448, 1-483, 1-487, 2-19, 2-51	R3013964	2-52
R3011494	1-121, 1-123, 1-222, 1-297, 2-57	R301333	1-423, 1-448, 1-465, 2-19, 2-51	R3013965	1-197, 2-53
R3011496	1-135, 1-139, 1-141, 1-224			R3013966	1-197, 2-49
				R3013967	1-197, 2-49
				R3013968	1-197, 2-53
				R3013969	1-197, 2-53
				R3013970	1-197, 2-52
				R3013971	1-197, 2-52
				R3013972	1-197, 2-53
				R3013973	1-197, 1-227
				R3013974	1-197, 1-227
				R3013976	1-315

NUMERICAL LISTING OF MERITOR PART NUMBERS

MERITOR NO.	PAGE NO.	MERITOR NO.	PAGE NO.	MERITOR NO.	PAGE NO.
R3013983	1-155, 1-163, 1-230	R3014044	1-129, 1-234	R301825	1-195
R3013986	1-129, 1-135, 1-227	R3014045	1-132, 1-233	R301828	1-39, 1-44, 1-115, 1-127, 1-175, 1-179, 1-181, 1-183, 1-195, 1-509, 1-513, 1-543, 1-554, 1-558, 2-34
R3013988	1-137, 1-223	R3014046	1-132, 1-233	R301829	1-177, 1-199
R3013989	1-137, 1-223	R3014047	1-129, 1-135, 1-227	R301830	1-177, 1-179, 1-181, 1-199
R3013992	1-145, 1-149, 1-155, 1-159, 1-163, 1-230	R3014337	1-133, 1-233	R301832	1-89, 1-199
R3013993	1-147, 1-161, 1-230	R3014338	1-133, 1-233	R301833A	1-169, 1-173, 1-177, 1-179, 1-181, 1-199
R3013994	1-103, 1-228	R3014339	1-133, 1-233	R301834	1-167, 1-171, 1-177, 1-179, 1-181, 1-199, 2-25, 2-27, 2-35
R3013995	1-103, 1-228	R3014340	1-133, 1-233	R301835	1-39, 1-64, 1-65, 1-77, 1-78, 1-147, 1-151, 1-155, 1-161, 1-163 1-167, 1-171, 1-177, 1-179, 1-181, 1-199, 1-245, 1-264, 1-265, 1-287, 1-289, 1-290, 1-291, 1-293, 1-505, 1-507, 1-517, 1-523, 1-529, 1-531, 1-533, 1-543, 2-27, 2-34
R3013996	1-91, 1-95, 1-100, 1-228	R3014341	1-133, 1-233	R301840	1-89, 1-177, 1-188
R3013997	1-91, 1-95, 1-228	R3014342	1-133, 1-233	R301842	1-167, 1-171, 1-177, 1-179, 1-181, 1-188
R3013998	1-103, 1-228	R3014343	1-133, 1-233	R301849	1-175, 1-198
R3013999	1-109	R3014344	1-133, 1-233	R301850	1-175, 1-198
R3014000	1-109	R3014345	1-133, 1-233	R301851	1-89, 1-198
R3014001	1-109	R3014346	1-227	R301852	1-89, 1-198
R3014002	1-109	R3014373	1-129, 1-234	R301853	1-175, 1-179, 1-198
R3014003	1-103, 1-228	R3014374	1-129	R301854	1-175, 1-179, 1-198
R3014007	1-111	R3014375	1-129, 1-234	R301855	1-195, 2-33
R3014009	1-109, 1-229	R3014376	1-577, 1-579	R301856	1-195, 2-33
R3014010	1-107, 1-229	R3014377	1-234	R301859	1-195, 2-33
R3014011	1-107, 1-229	R3014384	1-581	R301860	1-195, 2-33
R30140115	3-2	R3014385	1-581	R301869	1-175, 1-179, 1-181, 1-198
R3014013	1-113	R3014388	1-539, 1-572	R301876	1-33, 1-40, 1-200, 1-201
R3014014	1-113	R3014389	1-539	R301877	1-89, 1-175, 1-179, 1-181, 1-200, 1-201
R30140149	3-2	R3014390	1-545	R301878	1-201
R3014015	1-107	R3014397	1-91, 1-95, 1-229	R301879	1-201
R3014016	1-107	R301545	1-186, 1-187, 1-190, 2-50	R301940	1-167, 1-171, 1-208, 2-19, 2-50
R3014017	1-107	R301546	1-169, 1-173, 1-177, 1-179, 1-181, 1-190	R301941	1-167, 1-208
R3014018	1-107	R301551	1-169, 1-173, 1-177, 1-179, 1-181, 1-190, 1-194	R301942	1-167, 1-171, 1-208
R3014019	1-113	R301552	1-169, 1-173, 1-177, 1-179, 1-181, 1-186, 1-187, 1-188, 1-190, 1-194, 2-51	R301943	1-167, 1-171, 1-209, 1-493, 1-501, 2-34
R3014020	1-113	R301553	1-169, 1-173, 1-177, 1-179, 1-181, 1-183, 1-190, 1-191, 1-194	R301944	1-199
R3014022	1-91, 1-95, 1-229	R301594	1-89, 1-177, 1-189, 2-53	R301945	1-167, 1-171, 1-208
R3014025	1-145, 1-155, 1-159, 1-163, 1-230	R3015942	1-189		
R3014026	1-145, 1-149, 1-159, 1-230	R301595	1-189, 1-194, 2-53		
R3014027	1-145, 1-159, 1-231	R3015952	1-189		
R3014031	1-147, 1-161, 1-231	R301598A	1-167, 1-208		
R3014033	1-149	R301600	2-21		
R3014034	1-149	R301817	1-200, 1-201		
R3014035	1-149, 1-232	R301818	1-200, 1-201		
R3014037	1-151, 1-232	R3018191	1-200, 1-201		
R3014039	1-155, 1-163, 1-232	R301820	1-175, 1-201, 2-33		
R3014040	1-155, 1-163, 1-232	R301821	1-175, 1-200, 1-201		
R3014041	1-157, 1-165, 1-232				
R3014042	1-157, 1-165, 1-232				
R3014043	1-157, 1-165, 1-233				

NUMERICAL LISTING OF MERITOR PART NUMBERS

MERITOR NO.	PAGE NO.	MERITOR NO.	PAGE NO.	MERITOR NO.	PAGE NO.
R301946	1-167, 1-171, 1-209	R301982	1-539, 1-559, 1-568, 1-569, 1-592, 1-593, 1-598, 2-19, 2-38, 2-39, 2-43, 2-53	R302033	1-188
R301947	1-167, 1-171, 1-199			R302034	1-194
R301948	1-209			R302035	1-194, 2-34
R301960	1-167, 1-171, 1-208, 2-19	R301983	1-539, 1-558, 1-568, 1-569, 1-592, 1-593, 1-598, 2-38, 2-39, 2-43	R302040	1-200, 1-201
R301963	1-535, 1-536, 1-558, 1-569, 2-19, 2-43			R302079	1-213, 1-481, 1-484, 2-34, 2-45
R301964	1-535, 1-536, 1-558, 1-560, 1-569, 2-19, 2-43, 2-53	R301984	1-593, 1-596	R302116A	1-513, 1-554
		R301986A	1-509, 1-554, 1-593, 1-595, 1-596, 2-35	R302118	1-555
R301965	1-535, 1-536, 1-558, 1-561	R301987	1-509, 1-554, 1-593, 2-32	R302130	2-21
R301966	1-535, 1-537, 1-539, 1-552, 1-554, 1-555, 2-49	R301989	1-597	R302225	1-213, 1-327, 1-329, 1-330, 1-331, 1-497, 1-503, 1-609, 1-613, 1-615, 2-19, 2-42, 2-52
R301967	1-535, 1-537, 1-539, 1-554, 1-557	R301993	1-594, 1-595, 1-597		
R301968	1-535, 1-537, 1-539, 1-554, 1-556	R301995	1-594, 1-595, 1-597	R302226	1-213, 1-278, 1-279, 1-281, 1-327, 1-329, 1-331, 2-19, 2-52
R301969	1-535, 1-537, 1-539, 1-554	R301996	1-596, 1-597		
R301970	1-535, 1-537, 1-539, 1-554	R301997	1-595, 1-596, 1-597, 2-32	R302227	1-213, 2-53
R301971	1-509, 1-513, 1-521, 1-529, 1-531, 1-535, 1-536, 1-538, 1-543, 1-562, 1-563, 1-592, 1-599	R301998A	1-595, 1-596	R302228	1-213, 1-279, 1-281, 2-19, 2-53
		R301999A	1-77, 1-78, 1-245, 1-247, 1-251, 1-263, 2-19, 2-21, 2-48	R302229	1-89, 1-199
R301972	1-509, 1-513, 1-521, 1-529, 1-531, 1-535, 1-536, 1-538, 1-541, 1-543, 1-562, 1-592, 1-599, 1-614, 2-32	R302000	1-77, 178, 1-79, 1-242, 1-245, 1-247, 1-251, 1-264, 1-265	R302232	1-167, 1-171, 1-208, 2-19
				R302233	1-167, 1-171, 1-209
R301974	1-509, 1-513, 1-519, 1-521, 1-525, 1-527, 1-531, 1-535, 1-536, 1-538, 1-543, 1-562, 1-592, 1-599, 2-35	R302001	1-77, 1-78, 1-79, 1-242, 1-245, 1-247, 1-251, 1-264, 1-265, 1-600, 1-602, 1-603	R302238	1-213, 1-214, 2-49
		R302002	1-3, 1-77, 1-78, 1-245, 1-247, 1-251, 1-264, 1-265, 1-551, 1-561, 1-562, 1-600, 1-602, 1-603, 2-34	R302272	1-593, 1-596
R301975	1-509, 1-513, 1-521, 1-531, 1-535, 1-537, 1-538, 1-543, 1-557, 1-562, 1-592, 1-594, 1-595, 1-599	R302003	1-77, 1-78, 1-245, 1-247, 1-251, 1-264, 2-19	R302273	1-593, 1-596
		R302004	1-242, 1-263	R302274	1-593, 1-596, 1-597, 2-32
R301980	1-3, 1-4, 1-25, 1-27, 1-28, 1-29, 1-30, 1-85, 1-226, 1-227, 1-519, 1-521, 1-531, 1-533, 1-537, 1-541, 1-545, 1-549, 1-558, 1-559, 1-568, 1-569, 1-594, 1-595, 1-598, 2-19, 2-21, 2-36, 2-37, 2-38, 2-39, 2-40, 2-41, 2-43, 2-48	R302009	1-349, 1-373, 1-377, 1-381, 1-405, 1-407, 1-451, 1-453, 1-454, 1-455, 2-19	R302292	1-30, 1-267, 1-594, 1-595, 1-598, 2-37, 2-39
		R302010	1-347, 1-373, 1-377, 1-381, 1-405, 1-407, 1-451, 1-454, 1-455, 2-19	R302293	1-30, 1-267, 1-594, 1-595, 1-598, 2-37, 2-39
R301981	1-25, 1-27, 1-28, 1-29, 1-30, 1-85, 1-226, 1-227, 1-519, 1-521, 1-531, 1-558, 1-568, 1-569, 1-594, 1-595, 1-598, 2-19, 2-36, 2-37, 2-38, 2-39, 2-41, 2-43	R302011	1-425, 1-451 1-465, 1-592, 1-599	R302294	1-593, 1-598, 2-39
		R302017	1-213, 1-279, 1-282, 2-34, 2-46	R302295	1-593, 1-598, 2-39
		R302018	1-213, 2-46	R302372	1-89, 1-191, 1-193, 1-387, 1-391, 1-393, 1-471
		R302021	1-169, 1-173, 1-177, 1-179, 1-181, 1-190, 1-191, 1-194, 2-35	R302373	1-89, 1-193
		R302022	1-35, 1-42, 1-43, 1-519, 1-521, 1-535, 1-537, 1-539, 1-562, 2-32	R302374	1-169, 1-173, 1-177, 1-179, 1-191, 1-193, 1-194, 1-343, 1-456, 1-471, 1-589, 1-590
		R302024	1-541, 1-562	R302375	1-169, 1-173, 1-179, 1-193
		R302031A	1-194	R302510	1-267, 2-37
		R302032	1-188	R302511	1-267, 2-37
				R302512	1-25, 1-27, 1-28, 1-30, 1-85, 1-227, 1-568, 1-598, 2-36, 2-37, 2-38, 2-39
				R302513	1-25, 1-27, 1-28, 1-30, 1-85, 1-227, 1-533, 1-568, 1-598, 2-36, 2-37, 2-38, 2-39

NUMERICAL LISTING OF MERITOR PART NUMBERS

MERITOR NO.	PAGE NO.	MERITOR NO.	PAGE NO.	MERITOR NO.	PAGE NO.
R302514	1-49,1-51,1-53,1-55,1-57,1-61,1-63,1-67,2-41	R302573	1-115, 1-127, 1-175, 1-179, 1-181, 1-183, 1-195, 2-35	R302831	1-49,1-51,1-57, 1-66, 2-66, 2-67, 2-68
R302515	1-49,1-51,1-53,1-55,1-57,1-61,1-63,1-67,2-36	R302598A	1-206	R302832	1-48,1-51,1-53,1-55,1-57,1-64,1-65,1-66, 2-35
R302545	1-3, 1-35, 1-36, 1-44, 1-89, 1-91, 1-93, 1-95, 1-97, 1-98, 1-103, 1-105, 1-121, 1-123, 1-135, 1-137, 1-139, 1-141, 1-145, 1-147, 1-149, 1-151, 1-155, 1-157, 1-159, 1-161, 1-163, 1-165, 1-237, 1-327, 1-329, 1-351, 1-363, 1-377, 1-381, 1-383, 1-385, 1-387, 1-391, 1-395, 1-423, 1-427, 1-441, 1-443, 1-447, 1-459, 1-465, 1-489, 1-491, 1-497, 1-515, 1-519, 1-521, 1-531, 1-535, 1-537, 1-539, 1-541, 1-543, 1-607, 1-609, 1-611, 1-613, 2-25, 2-26, 2-27, 2-28, 2-29, 2-30, 2-35	R302600A	1-206	R302833	1-49,1-51,1-53,1-55,1-57,1-61,1-63,1-67, 1-77, 1-78, 1-245, 1-264, 1-265, 2-35
R302546	1-25, 1-27, 1-29, 1-64, 1-65, 1-237, 1-287, 1-289, 1-293, 1-373, 1-383, 1-403, 1-425, 1-431, 1-435, 1-439, 1-441, 1-445, 1-455, 1-456, 1-461	R302601A	1-206	R302836	1-49,1-51,1-55,1-68
R302546	1-507, 1-509, 1-519, 1-523, 1-525, 1-527, 1-529, 1-541, 1-547, 1-551, 1-592, 1-593, 1-594, 1-595, 1-600, 1-601, 2-25, 2-26, 2-27, 2-28, 2-29, 2-35	R302604	1-167, 1-171, 1-233	R302837	1-49,1-51,1-55,1-57,1-61,1-68
R302547	1-373, 1-377, 1-381, 1-427 1-429 1-431 1-435 1-437 1-439 1-441 1-445 1-447, 1-459, 1-465, 1-493, 2-25, 2-28, 2-35	R302605	1-202	R302838	1-49,1-51,1-53,1-55,1-61,1-68
R302548	1-264, 1-395, 1-427, 1-443, 1-447, 2-26, 2-28, 2-30, 2-35	R302607	1-202	R302839	1-49,1-51,1-53,1-55,1-61,1-68
R302553	1-183, 1-189, 2-54	R302608	1-202	R302840	1-28, 1-30, 1-49,1-51,1-53,1-55,1-61,1-63,1-68
R302554	1-183, 1-192, 2-50	R302609	1-202	R302842	1-3, 1-4, 1-28, 1-30, 1-49,1-51,1-55,1-57, 1-61,1-68, 1-77, 1-245, 1-247, 1-251, 1-253, 1-255, 1-257, 1-268, 1-541, 1-549, 1-561
R302555	1-183, 1-193	R302610	1-202	R302843	1-535, 1-537, 1-539, 1-552, 2-71
R302556	1-183, 1-200	R302611	1-202	R302844	1-535, 1-537, 1-539, 1-552, 2-66, 2-71
R302557	1-183, 1-200	R302612	1-202	R302845	1-535, 1-537, 1-539, 1-552, 2-66, 2-71
R302558	1-183, 1-200	R302613	1-203	R302846A	1-509, 1-552, 2-66, 2-70
R302566	1-183, 1-193	R302614	1-203	R302847	1-535, 1-537, 1-539, 1-554
R302567	1-183, 1-193	R302615	1-203	R302848	1-535, 1-537, 1-539, 1-554
R302570	1-195, 2-33	R302620	1-203	R302849	1-535, 1-537, 1-539, 1-552, 1-554, 1-555, 2-49
		R302621	1-203	R302850	1-535, 1-537, 1-539, 1-552, 1-554, 1-555, 2-49
		R302625	1-204	R302852	1-525, 1-527, 1-535, 1-537, 1-539, 1-554, 2-32
		R302634	1-89, 1-121, 1-125, 1-131, 1-137, 1-139, 1-141, 1-147, 1-157, 1-161, 1-165, 1-167, 1-169, 1-171, 1-173, 1-175, 1-179, 1-181, 1-214, 1-222, 1-299, 1-306	R302853	1-535, 1-537, 1-539, 1-554, 2-35
		R302644	2-21	R302854	1-387, 1-391, 1-459, 1-460, 1-462, 1-513, 1-525, 1-527, 1-531, 1-535, 1-537, 1-539, 1-554, 1-557, 2-34
		R302652	2-21	R302855	1-511, 1-513, 1-517, 1-569, 2-43
		R302771	1-169, 1-173, 1-181, 1-191, 1-192, 2-50	R302856	1-511, 1-515, 1-569, 2-43
		R302781	1-77, 1-78, 1-245, 1-247, 1-251, 1-263, 2-69	R302858	1-538, 1-569, 2-43
		R302781A	1-77, 1-78, 1-245, 1-247, 1-251, 1-263, 2-66, 2-69	R302859	1-569, 2-43
		R302814	1-213, 2-52	R302860	1-537, 1-541, 1-569, 2-43
		R302815	1-213, 2-19, 2-53	R302863A	1-194
		R302816	1-213, 2-49	R302864A	1-194
		R302822	1-51,1-55,1-70		
		R302823	1-51,1-55,1-70		
		R302824	1-51,1-70		
		R302826	1-49,1-53,1-70		
		R302827	1-49,1-53,1-70		
		R302828	1-48,1-52,1-70		
		R302829	1-48,1-51,1-52,1-55,1-57,1-70		
		R302830	1-49,1-51,1-66, 2-66, 2-68		

NUMERICAL LISTING OF MERITOR PART NUMBERS

MERITOR NO.	PAGE NO.	MERITOR NO.	PAGE NO.	MERITOR NO.	PAGE NO.
R302865A	1-194	R302912A	1-77, 1-80, 1-258, 1-271, 1-273	R302957	1-480, 2-35
R302866A	1-538, 1-568, 2-38	R302913A	1-258, 1-273	R302958	1-403, 1-455, 1-456, 1-461, 2-35
R302867A	1-535, 1-537, 1-539, 1-541, 1-563	R302914	1-258, 1-273	R302959	1-373, 1-377, 1-381, 1-437, 1-459, 2-35
R302873	1-511, 1-529, 1-535, 1-537, 1-539, 1-541, 1-543, 1-545, 1-549, 1-564, 2-66	R302915A	1-77, 1-80, 1-258, 1-271, 1-273	R302960	1-377, 1-381, 1-405, 1-407, 1-453, 1-473, 2-35
R302874	1-511, 1-519, 1-521, 1-531, 1-564	R302916	1-213, 2-53	R302963	1-450
R302875	1-509, 1-515, 1-519, 1-521, 1-531, 1-549, 1-564	R302917	1-287, 1-289, 1-293, 1-305, 2-19	R302964	1-239, 1-275, 1-427, 1-447, 1-471
R302878	1-511, 1-565	R302919	1-287, 1-289, 1-293, 1-305, 2-19	R302965	1-447, 1-465, 1-469, 1-483, 1-487
R302879	1-509, 1-570	R302920	1-287, 1-289, 1-293, 1-305, 2-19	R302975	1-441, 1-443, 1-453, 1-454, 1-497, 1-519, 1-543, 1-554, 2-29, 2-30, 2-35
R302880	1-509, 1-570	R302921A	1-287, 1-293, 1-302, 2-19, 2-50	R302977A	1-345, 1-349, 1-353, 1-357, 1-361, 1-363, 1-379, 1-401, 1-407, 1-411, 1-453
R302881	1-509, 1-570	R302922A	1-287, 1-293, 1-302, 2-20, 2-50	R302978A	1-379, 1-405, 1-407, 1-453
R302882	1-509, 1-570	R302923A	1-293, 1-302, 2-50	R302979A	1-379, 1-381, 1-405, 1-454
R302883	1-509, 1-570	R302924A	1-293, 1-301, 2-19, 2-50	R302981	1-373, 1-455, 2-32
R302884	1-535, 1-536, 1-538, 1-572	R302925	1-289, 1-300, 1-301, 1-304, 2-50	R302983	1-25, 1-27, 1-28, 1-29, 1-226, 1-373, 1-403, 1-425, 1-431, 1-435, 1-437, 1-439, 1-441, 1-445, 1-455, 1-456, 1-461, 1-519, 1-521, 1-529, 1-537, 1-545, 1-558, 1-594, 1-595, 1-598, 1-607, 1-644, 2-26, 2-34
R302885	1-535, 1-536, 1-538, 1-572	R302927	1-289, 1-300, 1-302, 2-51	R302984A	1-375, 1-455
R302886	1-535, 1-537, 1-539, 1-572	R302934	1-287, 1-289, 1-290, 1-291, 2-29, 2-35	R302985A	1-375, 1-455
R302887	1-535, 1-537, 1-539, 1-572	R302935	1-431 1-433 1-441 1-443, 1-448, 2-19, 2-50	R302988	1-25, 1-27, 1-239, 1-373, 1-377, 1-381, 1-419, 1-427, 1-429, 1-431, 1-435, 1-437, 1-439, 1-441, 1-445, 1-447, 1-459, 1-465, 1-478, 2-25, 2-34
R302888	1-535, 1-537, 1-539, 1-572	R302935	2-50	R302989	1-357, 1-373, 1-377, 1-381, 1-383, 1-429, 1-437, 1-441, 1-443, 1-459, 2-32
R302889	1-245, 1-247, 1-251, 1-263, 2-66, 2-69	R302936	1-403, 1-448, 1-461, 1-561, 1-603	R302992A	1-379, 1-459
R302890	1-242, 1-263, 2-66, 2-69	R302938	1-450, 2-19, 2-49	R302996	1-403, 1-461, 2-33
R302891	1-249, 1-251, 1-253, 1-255, 1-257, 1-266, 1-600, 1-602, 2-32	R302939	1-423, 1-431, 1-441, 1-452, 1-464, 2-19, 2-42, 2-49	R302997	1-461
R302892	1-3, 1-249, 1-251, 1-253, 1-255, 1-257, 1-266, 1-549, 1-554, 1-561, 1-600, 1-602, 2-26, 2-34	R302940	1-389, 1-393, 1-397, 1-443, 1-448, 1-459, 1-460, 2-19, 2-49	R302998	1-373, 1-377, 1-381, 1-450, 1-459, 2-51
R302898	1-242, 1-267, 2-37	R302941	1-451	R303000	1-447, 1-465, 1-489, 2-25, 2-28, 2-34
R302899	1-249, 1-251, 1-253, 1-255, 1-257, 1-267, 2-41	R302943	1-345, 1-349, 1-353, 1-355, 1-359, 1-363, 1-377, 1-381, 1-399, 1-405, 1-407, 1-409, 1-451, 1-453, 1-454, 1-479, 2-20		
R302907A	1-3, 1-77, 1-79, 1-242, 1-245, 1-247, 1-253, 1-255, 1-257, 1-268, 1-549, 1-564, 1-599	R302944	1-373, 1-451, 1-454		
R302908	1-260, 1-268	R302945	1-431, 1-433, 1-441, 1-445, 1-451, 2-20		
R302909	1-3, 1-77, 1-79, 1-242, 1-245, 1-249, 1-253, 1-255, 1-257, 1-269, 1-517, 1-533, 1-549, 1-564	R302946	1-433, 1-445, 1-451		
R302910A	1-258, 1-273, 1-274	R302947A	1-345, 1-347, 1-353, 1-355, 1-359, 1-363, 1-377, 1-381, 1-399, 1-405, 1-407, 1-409, 1-452, 1-453, 1-454, 1-455, 1-479, 2-20		
R302911	1-258, 1-273, 1-274	R302951	1-397, 1-472, 2-32		
		R302956	1-397, 2-35		

NUMERICAL LISTING OF MERITOR PART NUMBERS

MERITOR NO.	PAGE NO.	MERITOR NO.	PAGE NO.	MERITOR NO.	PAGE NO.
R303001	1-3, 1-237, 1-327, 1-329, 1-489, 1-497, 1-509, 1-515, 1-519, 1-521, 1-531, 1-535, 1-537, 1-539, 1-543, 1-607, 1-609, 1-611, 1-613, 2-25, 2-27, 2-29, 2-34	R303199A	2-31	R303416	1-3, 1-77, 1-78, 1-242, 1-245, 1-247, 1-251, 1-253, 1-255, 1-257, 1-264, 1-265, 1-551, 1-561, 1-562
R303002A	1-523, 1-525, 1-527, 1-541, 1-551, 1-592, 1-593, 1-594, 1-595, 1-600, 1-601, 2-25, 2-26, 2-27, 2-28, 2-29, 2-34	R303199A-1	2-31	R303527	1-603
R303003	1-453, 1-454, 1-497, 2-26, 2-29, 2-30, 2-34	R303214	1-27,1-30	R303528	1-603
R303004	2-26, 2-28, 2-30, 2-34	R303224	1-25,1-27, 2-32	R303529	1-603
R303005	1-287, 1-289, 2-29, 2-34	R303240	1-543, 1-554, 2-32	R303530	1-32,1-40
R303006	1-287, 1-289, 1-290, 1-291, 2-29, 2-34	R303244	1-543, 1-562	R303531	1-32,1-40
R303012	1-593, 1-596, 2-66, 2-73	R303247	1-543, 1-561	R303532	1-32,1-40
R303016	1-592, 1-597	R303258	1-566	R303533	1-32,1-40, 2-49
R303031	1-593, 1-599	R303276	1-267, 2-37	R303534	1-32,1-40, 2-51
R303051	1-592	R303277	1-249, 1-251, 1-253, 1-255, 1-257, 1-267, 2-37	R303536	1-32,1-40
R303079	1-249, 1-251, 1-253, 1-255, 1-257, 1-266, 1-267, 1-602, 1-604, 2-20, 2-37, 239, 2-41, 2-44	R303283A	1-509, 1-513, 1-517, 1-568, 2-38	R303537A	1-32,1-41
R303080	1-25,1-28,1-29, 2-66, 2-67	R303284A	1-509, 1-515, 1-568, 2-38	R303538	1-35,1-42
R303081	1-27,1-29, 2-66, 2-67	R303294	1-35,1-43	R303539	1-35,1-42
R303082	1-25,1-27,1-28,1-29, 1-607, 1-609, 1-614, 2-49	R303295	1-35,1-43	R303540A	1-35,1-42, 2-51
R303083A	1-25,1-27,1-28, 1-29, 1-30, 1-607, 1-609, 1-614	R303296	1-35,1-43, 2-48	R303541	1-35,1-36,1-44, 2-35
R303085A	1-25,1-27,1-28,1-29	R303297	1-35,1-43	R303542	1-35, 2-32
R303086	1-25,1-27,1-29, 2-20, 2-48	R303298	1-35,1-43, 2-34	R303546	1-35,1-42, 2-40
R303087	1-25,1-27,1-29	R303299	1-35,1-43	R303555	1-35,1-42,1-43
R303187	1-289, 1-303, 1-304	R303359	1-543, 1-561, 2-48	R303556	1-35,1-42,1-43
R303188	2-31	R303360	1-543, 1-559, 2-43, 2-49	R303557	1-35,1-42,1-43
R303188-2	2-31	R303362	1-543, 1-558, 1-559, 2-43, 2-48	R303558	1-35,1-43
R303189	2-31	R303363	1-543, 1-558, 2-43	R303560	1-27, 1-28, 1-35,1-42, 1-43, 2-34
R303190	2-31	R303380	1-600, 1-605	R303561A	1-35, 1-43
R303191	1-294, 2-31	R303382	1-600, 1-605	R303562	1-39,1-44
R303191-1	2-31	R303383	1-600, 1-602, 2-66, 2-73	R303563	1-39,1-44, 2-51
R303192	2-31	R303384	1-600, 1-604	R303564	1-39,1-44, 2-33
R303192-1	2-31	R303385	1-600, 1-603	R303565	1-39,1-44, 2-35
R303193	1-294, 2-31	R303390	1-257, 1-267, 1-600, 1-604	R303567	1-39,1-45
R303194	2-31	R303391	1-604, 2-44	R303568	1-39,1-45
R303195	2-31	R303392	1-600, 1-602, 1-603	R303569	1-39,1-45
R303196	2-31	R303393	1-602	R303576	1-59,1-71
R303197	2-31	R303394A	1-602, 2-20, 2-21	R303577	1-59,1-71
R303198	2-31	R303398	1-601, 1-602, 2-66, 2-73	R303578	1-59,1-71
		R303409	1-600, 1-604	R303579	1-47,1-59,1-71, 2-20, 2-51
		R303410	1-600, 1-604	R303580	1-59,1-71
		R303411	1-213, 2-52	R303581	1-47,1-59,1-71
		R303414	1-77, 1-78, 1-242, 1-245, 1-247, 1-251, 1-265	R303582	1-47,1-59,1-71, 2-20
		R303415	1-3, 1-77, 1-78, 1-242, 1-245, 1-247, 1-251, 1-253, 1-255, 1-257, 1-264, 1-265, 1-551, 1-562, 2-32	R303583	1-59,1-71
				R303586	1-64,1-65,1-72
				R303587	1-64,1-65,1-72
				R303588	1-64,1-72
				R303589	1-64,1-72

NUMERICAL LISTING OF MERITOR PART NUMBERS

MERITOR NO.	PAGE NO.	MERITOR NO.	PAGE NO.	MERITOR NO.	PAGE NO.
R303590	1-64,1-72	R303754A	1-117, 1-119, 1-221	R303868	1-213, 2-52
R303594	1-65,1-72	R303755	1-117, 1-119, 1-127, 1-220	R303881	1-193
R303595	1-65,1-72	R303760A	1-121, 1-123, 1-222, 1-297, 2-57, 2-61	R303882	1-193
R303596	1-64,1-65,1-72	R303761	1-89, 1-175, 1-179, 1-181, 1-200	R303900	1-293, 1-300, 2-49
R303599	1-332	R303762	1-121, 1-125, 1-299, 2-56	R303913	1-169, 1-173, 1-179, 1-181, 1-183, 1-190, 1-191, 1-194
R303604	1-203, 1-332	R303763	1-67, 2-36	R303915	1-289, 1-303, 1-304
R303605	1-203, 1-332	R303764	1-568, 2-38	R303916	1-304
R303606	1-203, 1-332	R303766	1-82, 1-143, 1-226	R303917	1-35,1-42, 2-66, 2-67
R303677	1-35,1-42,1-43	R303771	1-82, 1-87, 1-143, 1-184, 1-185, 1-226	R303917A	1-35,1-42
R303679	1-289, 1-290, 1-291, 1-293, 1-305	R303773	1-85, 1-227, 2-41	R303919	1-287, 1-289, 1-305
R303680	1-290, 1-291, 1-293, 1-305	R303774A2	1-85, 1-227, 2-41	R303972	1-509, 1-554, 1-557
R303683	1-287, 1-293, 1-301	R303779	1-85, 1-226	R303975	1-327, 1-330, 1-509, 1-554
R303685	1-287, 1-293, 1-301	R303783	1-327, 1-330, 2-66, 2-70	R303976	1-509, 1-554, 2-20
R303687	1-289, 1-300, 1-303	R303784	1-327, 1-330, 2-48	R303977	1-535, 1-537, 1-539, 1-552, 1-555, 1-556, 2-20, 2-49
R303688	1-287, 1-289, 1-293, 1-304	R303785	1-327, 1-330, 2-33	R303978	1-535, 1-537, 1-539, 1-552, 2-66, 2-71
R303689	1-287, 1-289, 1-290, 1-291, 1-293, 1-304	R303786	1-327, 1-330	R303979	1-513, 1-554, 1-557
R303690	1-287, 1-289, 1-293, 2-33	R303787	1-330	R303987	2-45
R303691	1-287, 1-289, 1-293, 2-32	R303788	1-327, 1-329, 1-330, 2-42	R30401011	2-20, 3-2
R303692	1-287, 1-289, 1-293, 2-33	R303789	1-327, 1-330, 2-42	R30401754	1-393, 1-417, 2-20, 3-2
R303693	1-287, 1-289, 1-293, 2-33	R303790	1-35,1-36,1-43, 1-327, 1-329, 1-331	R30402158	3-2
R303696	1-287, 1-289, 1-293, 1-383, 2-32	R303792	1-327, 1-329, 1-331, 2-33	R304252	1-343, 1-389, 1-393, 1-448, 2-50
R303697	1-289, 1-303	R303793	1-327, 1-329, 2-34	R304253	1-343, 1-385, 1-389, 1-393, 1-395, 1-448, 1-456, 2-20, 2-50
R303698	1-289, 1-303, 1-304	R303794	1-36, 1-41, 1-327, 1-331	R304254	1-395, 1-450, 2-50
R303699	1-289, 1-303, 1-304, 2-35	R303795	1-331	R304255	1-347, 1-389, 1-393, 1-448, 1-457, 1-458, 1-460, 1-480, 1-485, 2-20, 2-48
R303700	1-289, 1-303, 1-304	R303796	1-327, 1-329, 1-331	R304256	1-395, 1-448, 1-460, 2-49
R303702	1-287, 1-302	R303797	1-327, 1-329, 1-331	R304257	1-387, 1-391, 1-450, 1-462, 2-20
R303703	1-287, 1-302	R303798	1-327, 1-329, 1-331	R304258	1-389, 1-393, 1-472
R303704	1-287, 1-303	R303799	1-327, 1-329, 1-331	R304261	1-423, 1-431, 1-441, 1-464, 1-472
R303715	1-294, 1-300	R303816	1-39,1-45	R304262	1-397, 1-473
R303717	1-300	R303817	1-39,1-44, 2-48	R304263	1-347, 1-401, 1-458, 1-473
R303718	1-300	R303818	1-39, 2-33	R304265	1-351, 1-472
R303720	1-300	R303819	1-39,1-45	R304266	1-389, 1-393, 1-472
R303722	1-294, 1-305	R303820	1-45	R304267	1-343, 1-385, 1-389, 1-393, 1-395, 1-460, 1-472
R303731	1-117, 1-119, 1-220, 2-41	R303821A	1-39,1-45	R304268	1-351, 1-472
R303732	1-117, 1-119, 1-220, 2-41	R303828	1-614		
R303738	1-117, 1-220, 2-25	R303839	1-607, 1-615		
R303739	1-115, 1-216	R303844	1-607, 1-609, 1-614, 2-66, 2-73		
R303740	1-119, 1-125, 1-127, 1-219, 1-221, 1-222, 1-299, 1-307	R303845	1-614		
R303741	1-117, 1-119, 1-125, 1-127, 1-219, 1-221, 1-222, 1-299, 1-307	R303846	1-607, 1-615		
R303753A	1-117, 1-119, 1-221	R303849	1-607, 1-614, 2-48		
		R303852	1-607, 1-609, 1-614		
		R303867	1-260, 1-268		

NUMERICAL LISTING OF MERITOR PART NUMBERS

MERITOR NO.	PAGE NO.	MERITOR NO.	PAGE NO.	MERITOR NO.	PAGE NO.
R304273	1-423, 1-431, 1-441, 1-464, 2-34	R304312	1-239, 1-275, 1-447, 1-471, 1-483, 1-486	R304347	1-403, 1-407, 1-413, 1-415, 1-417, 1-419, 1-421, 1-425, 1-427, 1-429, 1-431, 1-433, 1-437, 1-441, 1-443, 1-447, 1-459, 1-465, 1-491, 1-593, 2-34
R304274	1-423, 1-431, 1-441, 1-473, 2-34	R304313	1-450	R304348	1-237, 1-239, 1-277, 1-427, 1-429, 1-431, 1-439, 1-445, 1-447, 1-465, 2-32
R304275	1-423, 1-431, 1-441, 1-473, 2-34	R304315	1-343, 1-471, 2-35	R304353	1-345, 1-347, 1-351, 1-357, 1-359, 1-363, 1-399, 1-409, 1-427, 1-429, 1-431, 1-433, 1-453, 1-454, 2-35
R304277	1-387, 1-391, 1-459, 1-460, 2-35	R304316	1-423, 1-431, 1-441, 1-452	R304358	1-245, 1-247, 1-251, 1-253, 1-255, 1-257, 1-264, 1-343, 1-345, 1-347, 1-351, 1-355, 1-359, 1-363, 1-365, 1-367, 1-369, 1-371, 1-385, 1-387, 1-391, 1-395
R304278	1-387, 1-391, 1-462, 2-35	R304317	1-423, 1-431, 1-441, 1-452	R304359	1-401, 1-407, 1-411, 1-413, 1-415, 1-417, 1-419, 1-421, 1-427, 1-429, 1-443, 1-447, 1-456, 1-457, 1-458, 1-459, 1-460, 1-461, 1-480, 2-28, 2-30, 2-34
R304281	1-466	R304318A	1-423, 1-452	R304361	1-347, 1-365, 1-367, 1-369, 1-371, 1-387, 1-391, 1-413, 1-415, 1-417, 1-419, 1-421, 1-427, 1-443, 1-456, 1-457, 1-458, 1-459, 1-480, 2-32
R304282	1-345, 1-347, 1-353, 1-355, 1-359, 1-363, 1-377, 1-381, 1-466	R304319	1-423, 1-452, 2-42	R304363	1-345, 1-351, 1-355, 1-359, 1-363, 1-365, 1-367, 1-369, 1-371, 1-401, 1-407, 1-411, 1-413, 1-415, 1-417, 1-419, 1-421, 1-456, 2-35
R304283	1-345, 1-347, 1-353, 1-355, 1-359, 1-377, 1-381, 1-466	R304321	1-347, 1-357, 1-359, 1-363, 1-373, 1-379, 1-403, 1-407, 1-475	R304364	1-343, 1-345, 1-351, 1-355, 1-359, 1-363, 1-365, 1-367, 1-369, 1-371, 1-371, 1-385, 1-387, 1-391, 1-395, 1-401, 1-407, 1-411, 1-413, 1-415, 1-417, 1-419, 1-421, 1-457, 1-461, 2-32
R304284	1-403, 1-407, 1-466	R304322	1-37, 1-46, 1-473, 1-493, 1-495, 1-613, 2-58	R304382A	1-345, 1-351, 1-355, 1-359, 1-363, 1-365, 1-367, 1-369, 1-371, 1-399, 1-407, 1-409, 1-413, 1-415, 1-450, 1-457, 1-480, 1-485, 2-20, 2-49
R304285	1-403, 1-407, 1-466	R304323	1-474, 1-517, 1-523, 1-533, 2-56	R304383	1-447, 1-465
R304287	1-403, 1-407, 1-466	R304324	1-474, 2-55	R304384	1-465
R304288	1-425, 1-437, 1-466	R304325	1-475, 2-55		
R304289	1-345, 1-347, 1-353, 1-355, 1-359, 1-373, 1-377, 1-381, 1-399, 1-403, 1-407, 1-409, 1-466, 1-479	R304326	1-475, 2-55		
R304290	1-345, 1-347, 1-353, 1-355, 1-359, 1-373, 1-377, 1-381, 1-399, 1-409, 1-467, 1-479	R304327	1-475, 2-55		
R304291	1-425, 1-437, 1-467	R304328	1-475, 2-55		
R304292	1-345, 1-347, 1-351, 1-355, 1-359, 1-377, 1-399, 1-405, 1-407, 1-409, 1-468	R304329	1-473, 2-55		
R304293	1-377, 1-468	R304330A	1-474, 2-55		
R304294	1-425, 1-468	R304330A2	2-55		
R304298	1-447, 1-468	R304331	1-474, 2-55		
R304299	1-425, 1-468	R304332	1-475, 2-55		
R304300	1-431, 1-439, 1-441, 1-443, 1-468	R304333	1-474, 2-60		
R304301	1-447, 1-469, 1-483, 1-487	R304334	1-474, 2-60		
R304302	1-447, 1-469, 1-483, 1-487	R304338	1-345, 1-349, 1-476		
R304303	1-423, 1-469	R304339	1-375, 1-379, 1-476		
R304305	1-447, 1-469, 1-483, 1-487	R304341	1-377		
R304306	1-439, 1-469	R304342	1-393, 1-476		
R304307	1-439, 1-469	R304343	1-363, 1-367, 1-369, 1-371, 1-385, 1-387, 1-391, 1-476		
R304308	1-447, 1-470, 1-483, 1-486	R304345	1-345, 1-347, 1-357, 1-359, 1-363, 1-365, 1-367, 1-369, 1-371, 1-375, 1-379, 1-387, 1-391, 1-395, 1-397		
R304309	1-447, 1-470	R304345	1-401, 1-405, 1-407, 1-411, 1-413, 1-415, 1-417, 1-476, 2-33		
R304310	1-439, 1-470	R304347	1-123, 1-139, 1-287, 1-289, 1-343, 1-345, 1-347, 1-353, 1-357, 1-359, 1-363, 1-365, 1-367, 1-369, 1-371, 1-373, 1-381, 1-383, 1-393, 1-397, 2-34		

NUMERICAL LISTING OF MERITOR PART NUMBERS

MERITOR NO.	PAGE NO.	MERITOR NO.	PAGE NO.	MERITOR NO.	PAGE NO.
R304385	1-425, 1-465	R304429	1-457	R304788A	1-13,1-19
R304387	1-384, 1-385, 1-387, 1-389, 1-391, 1-393, 1-456	R304597	2-64, 3-2	R304789	1-7,1-13,1-23, 2-36
R304389	1-453	R304664	1-279, 1-281, 2-52	R304790	1-7,1-13,1-23, 2-36
R304390	1-353, 1-357, 1-379, 1-381, 1-401, 1-411, 1-454	R304669	1-279, 1-282, 2-20, 2-49	R304791	1-7,1-13,1-23, 2-40
R304391	1-425, 1-431, 1-441, 1-464	R304674	1-7,1-20	R304792	1-7,1-13,1-23, 2-40
R304392	1-389, 1-393, 1-460	R304675	1-7,1-20	R304793	1-13,1-20
R304393	1-389, 1-393, 1-460	R304677A	1-7,1-9,1-11,1-13,1-15,1- 17,1-22, 2-20, 2-36, 2-40, 2-50	R304794	1-541, 1-574
R304394	1-460	R304678A	1-7,1-9,1-11,1-13,1-15, 1-17,1-22, 2-50	R304795	1-541, 1-574
R304396	1-349, 1-458, 1-459	R304680	1-7,1-9,1-13,1-15,1-21	R304796	1-541, 1-568, 2-38
R304397	1-393, 1-459	R304681	1-7,1-20	R304801	1-549, 1-573
R304398A	1-345, 1-353, 1-357, 1-361, 1-363, 1-365, 1-367, 1-369, 1-371, 1-401, 1-407, 1-411, 1-457	R304682	1-7,1-20	R304802	1-549, 1-573
R304399	1-411, 1-463	R304683	1-7,1-20, 2-50	R304803	1-551, 1-562, 1-573
R304400	1-411, 1-463	R304684	1-7,1-21	R304804	1-549, 1-573
R304401A	1-389, 1-393, 1-462	R304685	1-7,1-9,1-13,1-15,1-18	R304805	1-549, 1-573
R304402	1-458	R304686	1-11,1-17,1-18	R304806	1-551, 1-573
R304403	1-345, 1-349, 1-353, 1-357, 1-361, 1-363, 1-365, 1-367, 1-369, 1-371, 1-375, 1-379, 1-381, 1-385, 1-389, 1-393, 1-395, 1-397, 1-401, 1-405, 1-407, 1-411, 1-413, 1-415, 1-417, 1-419, 1-421, 2-20, 2-53, 3-2	R304687	1-11,1-17,1-18	R304807	1-549, 1-573
R304405	1-373, 1-377, 1-450	R304688A	1-7,1-9,1-13,1-15,1-19	R304808	1-549, 1-573
R304406	1-381, 1-450	R304745	1-489, 1-498, 2-20, 2-52	R304809	1-549, 1-573
R304409	1-345, 1-349, 1-353, 1-355, 1-359, 1-377, 1-381, 1-399, 1-409, 1-451	R304751	1-489, 1-498	R304810	1-551, 1-562, 1-573
R304410A	1-365, 1-367, 1-369, 1-371, 1-413, 1-415, 1-417, 1-419, 1-421, 1-448, 1-456, 1-457, 2-20, 2-49	R304752	1-489, 1-498, 2-49	R304811	1-551, 1-562, 1-573
R304411A	1-365, 1-367, 1-369, 1-371, 1-417, 1-456	R304753	1-489, 1-498, 2-42	R304813	1-549, 1-552, 2-66, 2-71
R304421	1-327, 1-330, 1-345, 1-349, 1-351, 1-357, 1-359, 1-363, 1-377, 1-381, 1-401, 1-405, 1-407, 1-411, 1-417, 1-427, 1-429, 1-431, 1-433, 1-441, 1-443, 1-479, 1-535, 1-536, 1-539, 1-543, 1-558, 1-592, 1-593, 1-595, 1-596, 1-598, 2-34	R304754	1-489	R304814	1-533, 1-549, 1-566
		R304755	1-489, 1-498	R304815	1-549, 1-566
		R304759	1-489, 1-499	R304816	1-566
		R304761	1-489, 1-498	R304817	1-549, 1-566
		R304767	1-489, 1-499	R304818	1-549, 1-566
		R304768	1-489, 1-499	R304819	1-566
		R304770	1-327, 1-330, 1-489, 1-499	R304822	1-565, 1-566
		R304771	1-493, 1-497, 1-503, 2-42	R304823	1-533, 1-549, 1-565
		R304773	1-497, 1-502	R304824	1-3,1-4, 1-533, 1-549, 1-569, 2-36, 2-38
		R304774	1-497, 1-502, 1-503	R304825	1-533, 1-549, 1-569, 2-43
		R304775	1-497, 1-502, 1-503, 2-20, 2-49	R304827	1-3,1-4, 1-549, 1-552, 1-554, 1-555, 2-21, 2-48
		R304776	1-495, 1-497, 1-502, 1-503	R304828	1-274, 1-551, 1-574
		R304777	1-495, 1-497, 1-502, 1-503	R304830	1-549, 1-554, 1-561, 2-32
		R304778	1-491, 1-497, 1-500, 1-502, 2-33	R304832	1-549, 1-554
		R304779	1-491, 1-495, 1-497, 1-500, 1-502, 2-34	R304833	1-533, 1-549, 1-558, 2-32
		R304780	1-497, 1-503	R304834A	1-533, 1-549, 1-558, 1-569, 2-20, 2-38, 2-43
		R304781	1-493, 1-497, 1-503	R304835	1-3,1-5, 1-551, 1-562
		R304782	1-497, 1-503	R304837	1-551, 1-562
		R304786	1-7,1-19	R304838	1-566
				R304839	1-566
				R304840	1-565
				R304844	1-193
				R305070	1-258, 1-274

NUMERICAL LISTING OF MERITOR PART NUMBERS

MERITOR NO.	PAGE NO.	MERITOR NO.	PAGE NO.	MERITOR NO.	PAGE NO.
R305071	1-258, 1-274	R305258	1-509, 1-513, 1-570	R305425	1-290, 1-303
R305072	1-258, 1-274	R305259	1-509, 1-570	R305426	1-290, 1-291, 1-305
R305073	1-258, 1-274	R305260	1-509, 1-515, 1-570	R305427	1-287, 1-289, 1-290, 1-293, 2-33
R305074	1-258, 1-274	R305261	1-509, 1-515, 1-570	R305428	1-287, 1-289, 1-290, 1-293, 2-33
R305075	1-279, 1-282	R305262	1-513, 1-571	R305429	1-290, 1-291, 2-35
R305076	1-282	R305263	1-513, 1-571	R305431	1-291, 1-301
R305077	1-289, 1-300	R305264	1-515, 1-571	R305432	1-291, 1-301, 2-51
R305079	1-449	R305265	1-115, 1-214, 2-66, 2-68	R305433	1-291, 1-303
R305080	1-449	R305267	1-115, 1-215	R305434	1-291, 1-303
R305081	1-449	R305268	1-115, 1-215	R305436	1-291, 1-304
R305082	1-493, 1-503, 2-42	R305269	1-117, 1-127, 1-214, 1-218, 2-48	R305439	1-287, 1-289, 1-291, 1-293, 2-33
R305083	1-493, 1-503, 2-42	R305270	1-115, 1-117, 1-215, 2-48	R305453	1-284, 1-285
R305085	1-566	R305271	1-115, 1-131, 2-33	R305454	1-285
R305210	1-241, 1-275	R305272	1-115, 1-131, 2-33	R305455	1-285
R305211	1-241, 1-275	R305273	1-115, 1-127, 2-35	R305456	1-285
R305212	1-241, 1-275	R305274	1-115, 1-215	R305457	1-284, 1-285
R305213	1-237, 1-239, 1-275, 1-427, 1-429, 1-447, 1-471, 1-483, 1-486	R305275	1-117, 1-119, 1-125, 1-127, 1-131, 1-147, 1-151, 1-157, 1-161, 1-165, 1-210, 1-213, 1-215, 1-218, 1-220, 1-231, 1-299, 1-306, 2-20, 2-41, 2-52	R305458	1-284, 1-285
R305214	1-239, 1-275, 1-447, 1-471, 1-483, 1-486	R305276	1-147, 1-151, 1-215, 1-231, 2-41, 2-48	R305459	1-285
R305215	1-239, 1-275, 1-447, 1-471, 1-483, 1-486	R305277	1-115, 1-119, 1-123, 1-127, 1-215, 1-218, 1-220, 1-297, 1-306	R305460	1-285
R305216	1-241, 1-275, 2-20, 2-51	R305278	1-215	R305462	1-285
R305218	1-239, 1-275, 1-483, 1-486	R305281	1-117, 1-119, 1-123, 1-127, 1-147, 1-151, 1-157, 1-161, 1-165, 1-216, 1-218, 1-220, 1-297, 1-306, 1-609, 1-613, 1-615	R305463	1-285
R305219	1-237, 1-239, 1-275, 2-35	R305282	1-216, 2-41	R305465	1-284, 1-285
R305220	1-239, 1-276	R305283	1-216, 2-41	R306121	1-82, 1-143, 1-184, 1-185, 1-225, 2-49
R305221	1-239, 1-276	R305286	1-216	R306122	1-82, 1-133, 1-143, 1-226
R305222	1-241, 1-276	R305292	1-216	R306124	1-82, 1-143, 1-226
R305223	1-241, 1-276	R305299	1-115, 1-119, 1-217, 1-221	R306126	1-87, 1-225, 2-49
R305224	1-239, 1-276	R305300	1-115, 1-217	R306127	1-87, 1-225, 2-49
R305225	1-239, 1-276	R305301	1-115, 1-217	R306128	1-87, 1-225, 2-50
R305226	1-241, 1-276	R305308	1-89, 1-191	R306129	1-87, 1-226
R305227	1-237, 1-241, 1-276, 2-20	R305309	1-169, 1-173, 1-177, 1-179, 1-191	R306130	1-87, 1-226
R305228	1-241, 1-277	R305417	1-290, 1-301	R306131	1-87, 1-226
R305229	1-241, 1-269	R305421	1-290, 1-301, 2-51	R30640	1-601, 1-602, 1-603, 2-49
R305230	1-239, 1-277	R305422	1-290, 1-303	R30641	1-601, 1-602, 1-603
R305231A	1-241, 1-269	R305423	1-290, 1-303, 2-35	R306898	1-353, 1-357, 1-361, 1-379, 1-401, 1-454
R305245	1-513, 1-553, 2-66, 2-72	R305424	1-290, 1-303	R306979	1-169, 1-173, 1-177, 1-179, 1-186, 1-187, 1-189, 2-53, 2-54
R305246	1-513, 1-521, 1-553, 2-66, 2-72			R306980	1-169, 1-173, 1-177, 1-179, 1-189, 2-54
R305247	1-513, 1-554			R30700	2-22
R305253	1-565			R30702A	2-22
R305254	1-511, 1-515, 1-567			R307426	1-11, 1-13, 1-15, 1-17, 1-22, 2-2, 2-20, 2-52
R305255A	1-515, 1-568, 2-38				
R305256	1-515, 1-569, 2-43				
R305257	1-509, 1-513, 1-570				

NUMERICAL LISTING OF MERITOR PART NUMBERS

MERITOR NO.	PAGE NO.	MERITOR NO.	PAGE NO.	MERITOR NO.	PAGE NO.
R307427	1-7,1-9,1-11,1-13,1-15,1-17,1-22, 2-2, 2-20, 2-51	R307469	2-7, 2-13	R307520	1-3, 1-4, 1-25, 1-27, 1-28, 1-29, 1-519, 1-521, 1-531, 1-533, 1-537, 1-541, 1-549, 1-559, 1-594, 2-14, 2-19, 2-48
R307429	2-3, 2-51	R307470	2-7		
R307430	2-3	R307471	2-8	R307522	1-539, 1-559, 2-15, 2-19, 2-53
R307431	2-3	R307472	2-8, 2-13		
R307432	1-49,1-51,1-53,1-55,1-57,1-64,1-65,1-66, 2-3, 2-19, 2-53	R307473	2-8	R307523	1-509, 1-513, 1-517, 1-560, 2-15, 2-19, 2-53
R307433	1-49,1-51,1-53,1-55,1-57,1-61,1-63,1-67, 1-77, 1-78, 1-245, 1-264, 1-266, 2-4, 2-19, 2-53	R307474	2-8, 2-51, 3-2	R307524	2-16, 2-50
R307434	2-4, 2-12, 2-51	R307475	2-8	R307525	2-16
R307439	2-4	R307477	2-8	R307526	2-16
R307440	2-4	R307478	1-287, 1-293, 1-302, 2-9, 2-19, 2-50	R307527	2-16
R307441	1-293, 1-301, 2-9, 2-19, 2-50	R307479	1-287, 1-293, 1-302, 2-9, 2-20, 2-50	R307528	2-17, 2-20, 2-52, 3-2
R307442	1-437, 1-448, 2-4, 2-11, 2-19, 2-50	R307480	1-287, 1-289, 1-293, 1-305, 2-9, 2-19	R307529	2-17, 2-20, 2-53, 3-2
R307443	1-431, 1-433, 1-441, 1-443, 1-445, 1-448, 2-11, 2-19, 2-51	R307481	1-287, 1-289, 1-293, 1-305, 2-9, 2-19	R307530	1-175, 1-179, 1-198
R307444	2-10, 2-20	R307482	2-9	R307531	1-181, 1-198
R307445	2-3, 2-20	R307483	2-9	R307532	1-245, 1-247, 1-251, 1-263, 2-20
R307446A	1-279, 1-282, 2-8, 2-20, 2-49	R307484	2-9	R307533	1-245, 1-247, 1-251, 1-253, 1-255, 1-257, 1-264, 2-32
R307447	2-2, 2-20, 2-51	R307485	1-448, 2-10, 2-20, 2-48	R307534	1-258, 1-273
R307448	2-14, 2-20	R307486	1-447, 1-448, 1-483, 1-487, 2-11, 2-19, 2-51	R307535	1-260, 1-268
R307449	2-11, 2-20	R307487	2-11	R307536	1-202
R307450	2-5, 2-22	R307488	2-11, 2-50	R307537	1-202
R307451	2-5, 2-22	R307489	2-11, 2-51	R307540	1-202
R307452	1-77, 1-78, 1-245, 1-247, 1-251, 1-264, 2-5, 2-19, 2-48	R307491	2-11	R307541	1-202
R307453	1-249, 1-251, 1-253, 1-255, 1-257, 1-266, 1-603, 2-5, 2-19, 2-48	R307492	2-11, 2-51	R307544	1-202
R307455	1-241, 1-275, 2-5, 2-20, 2-51	R307493	2-11, 2-51	R307546	1-202
R307457	2-6, 2-53	R307497	2-11	R307562	1-203
R307458	2-6	R307498	2-12	R307566	1-203
R307459	2-6	R307499	2-12, 2-51	R307568A	1-203
R307460	2-6	R307500	2-12	R307569A	1-203
R307461	2-6	R307501	2-12	R307570	1-203
R307462	2-6, 2-13	R307502	2-12	R307571	1-203
R307463	2-7	R307503	2-13	R307572A	1-203
R307464	2-7	R307504	2-12	R307582	1-204
R307465	2-7	R307505	2-13	R307584	1-204
R307466	2-7	R307506	2-13	R307599	1-206
R307467	2-7	R307507	2-13	R307600	1-206
R307468	2-7	R307508	2-14	R307601	1-206
		R307509	1-497, 1-503, 2-14, 2-20, 2-51	R307602	1-206
		R307510	1-489, 1-498, 2-14, 2-20, 2-52	R307603	1-206
		R307515	2-14, 2-50	R307604	1-206
		R307516	2-14, 2-50	R307606	1-206
		R307517	2-14, 2-50	R307607	1-206
		R307518	2-14	R307608	1-206
				R307609	1-206

NUMERICAL LISTING OF MERITOR PART NUMBERS

MERITOR NO.	PAGE NO.	MERITOR NO.	PAGE NO.	MERITOR NO.	PAGE NO.
R307610	1-206	R307690	1-260	R307769	1-15,1-19
R307611	1-207	R307693	1-260	R307770	1-15,1-19
R307617	1-167, 1-171, 1-207	R307694	1-260	R307771	1-11,1-17,1-20
R307618	1-207	R307695	1-260	R307772	1-7,1-9,1-13,1-15,1-21
R307619	1-167, 1-171, 1-207	R307696	1-260	R307773	1-11,1-13,1-15,1-17,1-21
R307620	1-167, 1-171, 1-209	R307697	1-257, 1-269	R307774	1-11, 1-13, 1-15, 1-17, 1-21
R307621	1-245, 1-247, 1-251, 1-253, 1-255, 1-257, 1-264, 2-20, 2-21, 2-49	R307698	1-257, 1-269	R307840	1-495, 1-502
R307622	1-245,1-249, 1-260, 1-268	R307699	1-257, 1-269	R307841	1-495, 1-502, 2-51
R307623	1-260, 1-268	R307700	1-36,1-44, 2-66, 2-67	R307844	1-495, 1-502
R307624	1-260, 1-268	R307701	1-36,1-44, 2-51	R307845	1-495, 1-502
R307625	1-260, 1-268	R307702	1-36,1-44	R307851	1-495, 1-502
R307626	1-260, 1-268	R307703	1-36,1-44, 2-33	R307852	1-37, 1-46, 1-474, 1-493, 1-495, 1-613, 2-58, 2-61
R307627	1-260, 1-268	R307704	1-36,1-44	R307853	1-495, 1-502, 2-42
R307628	1-260, 1-268	R307706	1-36,1-44	R307854	1-493, 1-501
R307629	1-260, 1-268	R307709	1-531, 1-553, 2-66, 2-72	R307855	1-493, 1-501
R307630	1-260, 1-268	R307710	1-513, 1-531, 1-553, 2-66, 2-72	R307862	1-493, 1-501
R307631	1-260, 1-268	R307712	1-519, 1-555	R307864	1-493, 1-501
R307632	1-260, 1-268, 2-66, 2-69	R307713	1-513, 1-531, 1-553, 1-555	R307865	1-493, 1-501
R307633	1-260, 1-268	R307716	1-557	R307866	1-493, 1-497, 1-501
R307634	1-260, 1-268	R307717	1-519, 1-556	R307867	1-493, 1-497, 1-501
R307635	1-245, 1-249, 1-253, 1-255, 1-257, 1-269	R307719	1-515, 1-531, 1-557	R307868	1-493, 1-497, 1-501
R307636	1-61, 1-63, 1-69, 1-245, 1-249, 1-253, 1-255, 1-257, 1-269	R307739	1-531, 1-574	R307869	1-491, 1-500, 2-66, 2-70
R307637	1-63,1-67	R307741	1-519, 1-521, 1-531, 1-568, 2-38	R307870	1-491, 1-500, 2-48
R307638	1-327, 1-329, 1-331, 1-497, 1-503, 2-17, 2-19, 2-52	R307742	1-519, 1-521, 1-531, 1-568, 2-38	R307871	1-491, 1-500
R307639	1-278, 1-281, 1-327, 1-329, 1-331, 2-17, 2-19, 2-52	R307743	1-521, 1-531, 1-568, 2-38	R307879	1-491, 1-500
R307640	2-8	R307744	1-519, 1-521, 1-531, 1-569, 2-43	R307887	1-491, 1-500, 2-42
R307641	2-8	R307746	2-43	R307918	1-77, 1-78, 1-245, 1-247, 1-251, 1-263
R307643	2-9	R307749	1-519, 1-558, 1-568, 1-569, 2-38, 2-43	R30813	1-513, 1-554, 1-555, 2-19, 2-53
R307644	2-9	R307750	1-519, 1-521, 1-531, 1-558, 1-560, 1-568, 1-569, 2-38, 2-43	R308178-126	1-47, 1-427, 1-429, 1-483, 2-26
R307645	2-14	R307754	1-19	R308265-16	1-262, 2-28
R307681	1-257, 1-274	R307755	1-11,1-17,1-18	R30837	1-515, 1-554
R307682	1-249, 1-251, 1-253, 1-255, 1-257	R307756	1-7,1-13,1-22	R308650	2-4
R307683	1-253, 1-267	R307757	1-7,1-9,1-13,1-21	R308651	1-279, 1-281, 2-17, 2-19, 2-53
R307684	1-255, 1-267	R307758	1-13,1-15,1-19	R308652	2-5, 2-22
R307685	1-255, 1-267	R307763	1-19	R308653	1-509, 1-555, 2-15, 2-19, 2-53
R307686	1-260	R307764	1-7,1-20	R308654	1-535, 1-537, 1-539, 1-556, 2-14, 2-20, 2-49
R307687	1-260	R307765	1-22	R308655	1-278, 2-16, 2-20, 2-52
R307688	1-260	R307766	1-11,1-13,1-15,1-17, 1-22, 2-20	R308656	2-17
R307689	1-260	R307767	1-11,1-13,1-15,1-17, 1-22, 2-20	R308663	1-47,1-59,1-71, 2-4, 2-20, 2-51
		R307768	1-11,1-13,1-15,1-17,1-21	R308664	1-59,1-71, 2-4, 2-20

NUMERICAL LISTING OF MERITOR PART NUMBERS

MERITOR NO.	PAGE NO.	MERITOR NO.	PAGE NO.	MERITOR NO.	PAGE NO.
R308665	1-237, 1-241, 1-276, 2-6, 2-20	R308702	1-7, 1-9, 1-11, 1-13, 1-15, 1-17, 1-22	R308927	2-5, 2-22
R308666	1-245, 1-247, 1-251, 1-253, 1-255, 1-257, 1-264, 2-6, 2-20	R308795	1-33,1-41	R308931	1-49,1-51,1-57,1-66, 2-66, 2-67, 2-68
R308667	1-287, 1-289, 1-293, 1-305, 2-9, 2-19	R308796	1-33,1-40	R308941	1-35,1-36,1-42, 2-40
R308669	2-11	R308797	1-33,1-40, 2-51	R30898	1-555
R308670	1-441, 1-445, 1-447, 1-452, 1-483, 1-486, 2-11, 2-19	R308798	1-33,1-41	R30900	1-539, 1-558, 1-592, 1-593, 1-598, 2-32
R308671	1-425, 1-437, 1-452, 2-11, 2-19	R308799	1-32, 1-33, 1-40, 2-51	R30901	1-25,1-27,1-28, 1-29, 1-226, 1-517, 1-519, 1-521, 1-529, 1-531, 1-537, 1-541, 1-543, 1-545, 1-558, 1-594, 1-595, 1-598, 2-32
R308672	1-423,1-448, 2-11, 2-19	R308800	1-33,1-40	R30905	1-535, 1-536, 1-538, 1-541, 1-545, 1-558, 2-35
R308673	1-349, 1-373, 1-377, 1-381, 1-405, 1-407, 2-9, 2-19	R308802	1-37,1-46	R30907	1-509, 1-513, 1-517, 1-539, 1-558, 1-592, 1-593, 1-598, 2-35
R308674	1-347, 1-373, 1-377, 1-381, 1-405 1-407,2-10, 2-19	R308803	1-37,1-46	R30927	1-49,1-51,1-53,1-55, 1-57,1-61,1-63,1-67, 1-77, 1-78, 1-79, 1-245, 1-264, 1-265, 1-266, 1-267, 2-19, 2-36, 2-37, 2-41, 2-53
R308676	1-423, 1-431, 1-441, 1-452, 2-11, 2-19	R308804	1-37,1-46, 2-52	R309284	1-345, 1-355, 1-359, 1-363, 1-365, 1-367, 1-369, 1-371, 1-401, 1-409, 1-413, 1-415, 1-417, 1-419, 1-421, 1-457, 1-472
R308677	1-389, 1-393, 1-397, 1-443, 1-448, 2-10, 2-19	R308805	1-37,1-46	R309286	1-383, 1-464, 2-48
R308678	1-345, 1-349, 1-353, 1-355, 1-359, 1-377, 1-381, 1-399, 1-405, 1-407, 1-409, 1-451, 2-9, 2-20	R308806	1-37,1-46	R309287	1-383, 1-455, 1-464, 2-52
R308679	1-431, 1-433, 1-441, 1-445, 1-451, 2-9, 2-20	R308808	1-37,1-46, 2-40	R309288	1-383, 1-455, 1-456, 4-464, 2-52
R308680	1-345, 1-347, 1-353, 1-355, 1-359, 1-377, 1-381, 1-399, 1-407, 1-409, 1-452, 2-10, 2-20	R308809	1-37,1-46	R309289	1-383, 1-475
R308681	1-343, 1-393, 1-395, 1-448, 2-10, 2-20, 2-50	R308810	1-37,1-46	R309290	1-383, 1-470
R308682	1-387, 1-391, 1-450, 2-10, 2-20	R308818	1-609, 1-615	R309291	1-383, 1-470
R308683	1-355, 1-359, 1-399, 1-450, 2-10, 2-20	R308819	1-609, 1-613, 1-615	R309292	1-343, 1-385, 1-450, 1-461, 2-51
R308684	1-345, 1-349, 1-353, 1-357, 1-361, 1-365, 1-367, 1-375, 1-379, 1-381, 1-389, 1-393, 1-395, 1-397, 1-401, 1-405, 1-407, 1-411, 1-413, 1-415, 1-419, 1-421, 2-10, 2-20, 2-52, 3-2	R308821	1-613, 1-616	R309293	1-385, 1-448, 2-50
R308688	1-513, 1-521, 1-556, 2-15, 2-19	R308830	1-611, 1-616	R309294	1-417, 1-457
R308689	1-535, 1-536, 1-560, 2-15, 2-19, 2-53	R308831	1-611, 1-616, 2-35	R309295	1-382, 1-383, 1-458
R308691	1-513, 1-555, 2-15, 2-19	R308832	1-611, 1-617	R309296	1-382, 1-383, 1-455
R308701	1-7, 1-9, 1-11, 1-13, 1-15, 1-17, 1-22, 1-23	R308833	1-611, 1-617, 2-52	R309297	1-382, 1-383, 1-456
		R308834	1-611, 1-617	R309299	1-382, 1-383, 1-470
		R308835	1-611, 1-617	R309300A	1-384, 1-385, 1-461
		R308836	1-611, 1-617	R309301	1-384, 1-385, 1-462
		R308837	1-611, 1-617, 1-618	R309302	1-3,1-5
		R308838	1-611, 1-616	R309303	1-3,1-5
		R308839	1-611, 1-617, 1-618	R309304	1-3,1-5
		R308840	1-611, 1-617, 2-32	R309305	1-3,1-4, 2-66, 2-67
		R308841	2-34	R309307	1-3,1-4, 2-40
		R308844	1-611, 2-35	R309308	1-3,1-4
		R308850	1-611, 1-617	R309309	1-3,1-4
		R308851	1-611, 1-616		
		R308853	1-611, 1-616		
		R308853A	1-611, 1-616		
		R308854	1-33,1-41		
		R308855	1-33,1-41		
		R308909	1-609, 1-613, 1-615, 2-33		
		R308910	1-609, 1-613, 1-615, 2-33		
		R308911	1-609, 1-613, 2-34		
		R308912	1-609, 1-613, 1-615		
		R308917	1-11,1-13,1-15,1-17, 1-22, 2-2, 2-20, 2-52		
		R308918	2-3, 2-16		
		R308919	2-13		
		R308926	1-119, 1-221		

NUMERICAL LISTING OF MERITOR PART NUMBERS

MERITOR NO.	PAGE NO.	MERITOR NO.	PAGE NO.	MERITOR NO.	PAGE NO.
R309321	1-278, 1-281, 2-20, 2-52	R309390	1-123, 1-223, 1-297, 1-307	R309442	1-589, 1-590, 1-591
R309322	1-278, 1-281, 2-52	R309391	1-123, 1-221, 1-297, 1-306	R309443	1-581, 1-590, 1-591
R309324	1-278, 1-281, 2-52	R309392	1-123, 1-223, 1-297, 1-302	R309444	1-589, 1-591
R309325	1-89, 1-139, 1-141, 1-167, 1-171, 1-179, 1-181, 1-192	R309393	1-125, 1-297, 1-307	R309445	1-581, 1-585, 1-587, 1-589, 1-591
R309326	1-89, 1-129, 1-137, 1-139, 1-141, 1-167, 1-171, 1-177, 1-179, 1-181, 1-192	R309394	1-125, 1-220	R309446	1-589, 1-590
R309327	1-129, 1-137, 1-192	R309395	1-119, 1-125, 1-220, 1-299, 1-306, 2-37, 2-52	R309447	1-589, 1-590
R309328	1-129, 1-137, 1-192	R309397	1-125, 1-222, 1-299, 1-307	R309448	1-480, 1-481, 1-485
R309329	1-192	R309400	1-127, 1-219	R309449	1-480, 1-481, 1-485
R309330	1-255, 1-263, 2-66, 2-69	R309402	1-127, 1-218, 2-66, 2-68	R309450	1-480, 1-481, 1-486
R30934	1-249, 1-251, 1-253, 1-255, 1-257, 1-266, 1-267, 1-600, 1-602, 1-603, 1-604, 2-21, 2-37, 2-39, 2-41, 2-44, 2-48	R309404	1-127, 1-219	R309452	1-480, 1-481, 1-484, 1-486
R309350	1-538, 1-541, 1-558, 1-568, 1-569, 2-20, 2-38, 2-43	R309405	1-127, 1-219	R309454	1-480, 1-484, 1-486
R309351A	1-533, 1-574	R309406	1-127, 1-219	R309455	1-480, 1-484, 1-486
R309353	1-533, 1-564	R309407	1-127, 1-218, 2-41	R309456	1-481, 1-485
R309355	1-533, 1-567	R309408	1-115, 1-127, 1-219	R309457	1-481, 1-484, 1-485, 2-49
R309358	1-517, 1-533, 1-560	R309409	1-125, 1-127, 1-218, 1-220, 1-299, 1-306, 2-41	R309458	1-481, 1-484, 1-485, 2-51
R309359	1-169, 1-173, 1-177, 1-179, 1-181, 1-186, 1-187, 1-189	R309411	1-141, 1-224	R309459	1-483, 1-487
R30937	1-49, 1-51, 1-53, 1-55, 1-57, 1-61, 1-63, 1-64, 1-65, 1-66, 1-67, 1-517, 1-519, 1-521, 1-523, 1-525, 1-527, 1-538, 1-541, 1-545, 1-558, 1-559, 2-34	R309412	1-141, 1-188, 1-224	R309460	1-483, 1-487
R309370	1-61, 1-66, 1-67	R309413	1-141, 1-224	R309461	1-483, 1-487
R309372	1-61, 1-67	R309414	1-141, 1-224	R309469	1-245, 1-270
R309373	1-74, 1-75	R309415	1-141, 1-224	R309470	1-245, 1-270
R309374	1-74, 1-75	R309416	1-141, 1-224	R309471	1-245, 1-247, 1-251, 1-263, 2-66, 2-69
R309375	1-74, 1-75	R309417	1-141, 1-224	R309472	1-245, 1-247, 1-251, 1-253, 1-255, 1-257, 1-264, 2-20
R309376	1-74, 1-75, 2-33	R309418	1-167, 1-171, 1-209	R309473	1-245, 1-247, 1-251, 1-253, 1-255, 1-257, 1-264, 2-20
R309377	1-74, 1-75	R309419	1-169, 1-173, 1-181, 1-192, 2-50	R309474	1-77, 1-78, 1-245, 1-247, 1-251, 1-264, 2-19
R309378	1-74, 1-75	R309420	1-141, 1-169, 1-173, 1-177, 1-179, 1-181, 1-191, 1-193	R309475	1-245, 1-247, 1-251, 1-253, 1-255, 1-257
R309379	1-74, 1-75	R309421	1-169, 1-173, 1-181, 1-193	R309476	1-77, 1-79, 1-245, 1-267, 2-36, 2-37
R309380	1-74, 1-75	R309426	1-171, 1-181, 1-188	R309477	1-77, 1-79, 1-245, 1-267, 2-41
R309381	1-74, 1-75	R309427	1-89, 1-179, 1-181, 1-201	R309478	1-77, 1-78, 1-245, 1-264, 1-265, 1-267, 2-20, 2-36, 2-41
R309384	1-125, 1-223	R309428	1-89, 1-175, 1-179, 1-181, 1-201	R309479	1-77, 1-78, 1-245, 1-264, 2-20
R309385	1-125, 1-223	R309429	1-179, 1-181, 1-195	R309480	1-77, 1-78, 1-79, 1-245, 1-264, 1-265, 1-266
R309386	1-123, 1-222	R309430	1-195, 2-33	R309482	1-77, 1-78, 1-245, 1-264, 1-265
R309387	1-123, 1-222	R309432	1-115, 1-119, 1-123, 1-127, 1-216, 1-219, 1-220, 1-297, 1-307	R309484	1-247, 1-251, 1-270
R309389	1-121, 1-125, 1-223, 1-299, 1-307	R309437	1-590	R309485	1-247, 1-251, 1-270
		R309438	1-590	R309486	1-249, 1-251, 1-253, 1-255, 1-257, 1-266, 2-20
		R309439	1-581, 1-585, 1-587, 1-589, 1-590, 2-49		
		R309440	1-589, 1-590, 2-52		
		R309441A	1-589, 1-591		

NUMERICAL LISTING OF MERITOR PART NUMBERS

MERITOR NO.	PAGE NO.	MERITOR NO.	PAGE NO.	MERITOR NO.	PAGE NO.
R309487	1-249, 1-251, 1-253, 1-255, 1-257, 1-274	R309549	1-523, 1-525, 1-527, 1-559, 1-560, 1-568, 2-38, 2-43, 2-48	R309610	1-425, 1-478
R309489	1-255, 1-263, 2-66, 2-69	R309550	1-525, 1-527, 1-556	R309611	1-425, 1-478
R309491	1-257, 1-263, 2-66, 2-70	R309551	1-549, 1-558, 2-20	R309612	1-425, 1-478
R309492	1-257, 1-263, 2-66, 2-70	R309552	1-519, 1-521, 1-531, 1-558, 1-594, 2-19	R309613	2-28, 2-29
R309493	1-77, 1-80, 1-258, 1-271	R309553	1-517, 1-564	R309614	2-28, 2-29
R309494	1-77,1-80, 1-258, 1-271	R309554	1-509, 1-564	R309615	1-523, 1-525, 1-527
R309495	1-77, 1-80, 1-258, 1-271	R309555	1-509, 1-554, 2-20	R309616	1-525, 1-527
R309496	1-77, 1-80, 1-258, 1-271	R309557	1-515, 1-567	R309617	1-525, 1-527
R309497	1-258, 1-271	R309558	1-511, 1-567	R309618	1-525
R309498	1-258, 1-271	R309559	1-511, 1-557	R309619	1-525, 1-568, 2-43
R309499	1-259, 1-272	R309560	1-511, 1-557	R30962	1-49,1-51,1-53,1-55, 1-57,1-61,1-63,1-67, 2-19
R309500	1-259, 1-272	R309561	1-511, 1-557	R309620	1-525, 1-527, 1-568, 2-38
R309501	1-259, 1-272	R309562	1-511, 1-565	R309622	1-525, 1-527
R309502	1-259, 1-272	R309563	1-511, 1-565	R309623	2-56
R309503	1-259, 1-272	R309564	1-511, 1-565	R309624	2-56
R309506	2-17, 2-20, 2-48	R309567	1-245, 1-247, 1-251, 1-263, 2-20	R309625	2-56, 2-57
R309507	2-17, 2-20	R309569	2-22	R309626	1-525, 1-527
R309508	2-16, 2-20, 2-52	R309570	1-77, 1-78, 1-245, 1-247, 1-251, 1-263	R309628	1-202
R309510	1-189, 2-17, 2-19, 2-54	R309571	1-11,1-13,1-15,1-17,1-21	R309629	1-202
R309512A	1-192, 2-17, 2-50	R309572	1-511, 1-567	R30963	1-61,1-63,1-69
R309513	2-18, 2-19	R309573	1-511, 1-567	R309630	1-202
R309514	2-18, 2-19	R309574	1-553, 2-66, 2-72	R309631	1-202
R309515	1-167, 1-171, 1-208, 2-18, 2-19, 2-50	R309575	1-225, 2-21	R309632	1-202
R309517	2-52	R309576	1-169, 1-173, 1-177, 1-191	R309633A	1-203
R309518	2-17, 2-19, 2-53	R309577	1-169, 1-173, 1-191	R309634A	1-203
R309527	1-77,1-79, 1-260, 1-268	R309579	1-541, 1-559, 2-15	R309635A	1-203
R309528	1-77,1-79, 1-260, 1-268	R309581	1-299, 1-306, 2-37	R309636	1-203
R309529	1-77,1-79, 1-260, 1-268	R309582	1-53, 1-273	R309637	1-203
R309530	1-377, 1-477	R309583	1-541, 1-558, 2-20	R309638	1-203
R309531	1-377, 1-477	R309584	1-523, 1-525, 1-527, 1-568, 2-38	R309639	1-203
R309532	1-367, 1-477	R309585	1-523, 1-525, 1-527, 1-568, 2-43	R30964	1-61,1-69
R309533	1-367, 1-477	R309586	1-525, 1-553, 2-66, 2-73	R309640	1-203
R309534	1-431, 1-433, 1-441, 1-443, 1-447	R309587	1-523, 1-525, 1-559, 2-43	R309641	1-203
R309535	1-423, 1-477	R309588	1-191, 2-54	R309642	1-203
R309536	1-423, 1-478	R309603	1-139, 2-35	R30965	1-61,1-69
R309537	1-513, 1-571	R309604	2-35	R30966	1-49,1-51,1-57,1-61, 1-66, 2-66, 2-68
R309538	1-513, 1-557	R309605	2-34	R30967	1-61,1-66
R309539	1-513, 1-571	R309606	2-34	R30968	1-61,1-66, 2-50
R309541	1-515, 1-571	R309607	1-3, 1-549, 1-558, 2-34	R309801	1-525, 1-527
R309543	1-562	R30961	1-48,1-51,1-52,1-55, 1-57,1-64,1-65,1-66, 2-19	R309838	2-60
R309544	1-562, 2-51			R309839	1-251, 1-253, 2-60
R309545	1-509, 1-513, 1-517, 1-558, 2-19			R309840	1-535, 1-537, 1-539, 1-556
R309548	1-535, 1-536, 1-558, 2-19			R309869	1-35,1-36,1-42
				R309874	1-39,1-46

NUMERICAL LISTING OF MERITOR PART NUMBERS

MERITOR NO.	PAGE NO.	MERITOR NO.	PAGE NO.	MERITOR NO.	PAGE NO.
R30T5050-08	2-24	R30T8062-38	2-24	R30T8100-20	2-24
R30T5050-10	2-24	R30T8062-40	2-24	R30T8100-24	2-24
R30T5050-12	2-24	R30T8062-42	2-24	R30T8100-28	2-24
R30T5050-14	2-24	R30T8062-44	2-24	R30T8100-32	2-24
R30T5050-16	2-24	R30T8062-46	2-24	R30T8100-36	2-24
R30T5050-18	2-24	R30T8062-48	2-24	R30T8100-40	2-24
R30T5050-20	2-24	R30T8075-12	2-24	R30T8100-44	2-24
R30T5050-22	2-24	R30T8075-14	2-24	R30T8100-48	2-24
R30T5050-24	2-24	R30T8075-16	2-24	R30T8112-30	2-24
R30T5050-26	2-24	R30T8075-18	2-24	R30T8112-32	2-24
R30T5050-28	2-24	R30T8075-20	2-24	R30T8112-34	2-24
R30T5050-30	2-24	R30T8075-22	2-24	R30T8112-36	2-24
R30T5050-32	2-24	R30T8075-24	2-24	R30T8112-38	2-24
R30T5050-34	2-24	R30T8075-26	2-24	R30T8125-30	2-24
R30T5050-36	2-24	R30T8075-28	2-24	R30T8125-32	2-24
R30T5056-08	2-24	R30T8075-30	2-24	R30T8125-34	2-24
R30T5056-10	2-24	R30T8075-32	2-24	R30T8125-36	2-24
R30T5056-12	2-24	R30T8075-34	2-24	R30T8125-38	2-24
R30T5056-14	2-24	R30T8075-36	2-24	R30U5161-12	1-242, 1-261, 1-551, 2-27
R30T5056-16	2-24	R30T8075-38	2-24	R30U5161-13	1-261, 1-551, 2-27
R30T5056-18	2-24	R30T8075-40	2-24	R30U516114	1-242, 1-261, 1-511, 1-541, 1-551, 2-27
R30T5056-20	2-24	R30T8075-42	2-24	R30U5161-15	2-27
R30T5056-22	2-24	R30T8075-44	2-24	R30U5161-16	2-27
R30T5056-24	2-24	R30T8075-46	2-24	R30U5161-18	1-242, 1-261, 1-511, 1-551, 2-27
R30T5056-26	2-24	R30T8075-48	2-24	R30U5161-22	1-261, 2-27
R30T5056-28	2-24	R30T8075-50	2-24	R30U5163-14	1-600, 2-27
R30T5056-30	2-24	R30T8075-52	2-24	R30U5163-18	2-27
R30T5056-32	2-24	R30T8087-18	2-24	R30U5165-12	1-261, 2-27
R30T5056-34	2-24	R30T8087-20	2-24	R30U5165-14	1-261, 1-511, 1-515, 1-551, 1-592, 1-593, 1-594, 1-595, 2-27
R30T5056-36	2-24	R30T8087-22	2-24	R30U5165-15	2-27
R30T5056-38	2-24	R30T8087-24	2-24	R30U5165-16	1-261, 2-27
R30T5056-40	2-24	R30T8087-26	2-24	R30U5165-18	1-511, 1-515, 1-551, 2-27
R30T5056-42	2-24	R30T8087-28	2-24	R30U5243-16	2-28
R30T8062-12	2-24	R30T8087-30	2-24	R30U5243-18	2-28
R30T8062-14	2-24	R30T8087-32	2-24	R30U5243-20	2-28
R30T8062-16	2-24	R30T8087-34	2-24	R30U5244-16	2-28
R30T8062-18	2-24	R30T8087-36	2-24	R30U5244-18	2-28
R30T8062-20	2-24	R30T8087-38	2-24	R30U5244-20	2-28
R30T8062-22	2-24	R30T8087-40	2-24	R30U5261-18	2-28
R30T8062-24	2-24	R30T8087-42	2-24	R30U5263-14	1-601, 2-28
R30T8062-26	2-24	R30T8087-44	2-24	R30U5263-18	2-28
R30T8062-28	2-24	R30T8087-46	2-24	R30U8142-06	1-611, 2-25
R30T8062-30	2-24	R30T8087-48	2-24	R30U8143074	1-39, 2-25
R30T8062-32	2-24	R30T8087-50	2-24	R30U8145-076	1-447, 1-465, 1-483, 2-25
R30T8062-34	2-24	R30T8087-52	2-24		
R30T8062-36	2-24	R30T8100-16	2-24		

NUMERICAL LISTING OF MERITOR PART NUMBERS

MERITOR NO.	PAGE NO.	MERITOR NO.	PAGE NO.	MERITOR NO.	PAGE NO.
R30U8151-10	1-3,1-5, 1-262, 1-611, 2-25	R30U8164-10	1-33, 2-26	R30U8375-14	1-493, 1-497, 2-29
R30U8151-12	1-3,1-5, 1-262, 1-533, 1-611, 2-25	R30U8164-12	1-33, 2-26	R30U8375-154	1-493, 1-497, 2-29
R30U8151-14	1-3, 1-5, 1-262, 1-491, 1-519, 1-521, 1-531, 1-533, 2-25	R30U816416	1-39, 1-523, 2-26	R30U8394-144	1-287, 1-289, 2-29
R30U8151-16	1-262, 1-491, 1-533, 1-613, 2-25	R30U8164-18	2-26	R30U8394-162S	1-287, 1-289, 2-29
R30U8151-18	1-262, 1-489, 1-535, 1-537, 1-539, 1-543, 1-607, 1-609, 2-25	R30U8165-076	1-87, 2-26	R30U8394-172S	2-29
R30U8151-22	2-25	R30U8165-10	1-184, 1-185, 1-261, 2-26	R30U8394-18	1-287, 1-289, 2-29
R30U8153-10	1-32, 2-25	R30U8165-12	1-25,1-27,1-28, 1-85, 1-184, 1-261, 2-26	R30U8394-192S	2-29
R30U8153-12	2-25	R30U8165-13	2-26	R30U8396-165S	1-290, 1-291, 2-29
R30U8153-14	2-25	R30U8165-14	1-25,1-27,1-28, 1-261, 1-525, 1-527, 2-26	R30U8475-114	1-443, 2-30
R30U8153-18	2-25	R30U8165-16	1-261, 2-26	R30U8479-090	1-345, 1-349, 1-351, 1-355, 1-359, 1-363, 1-377, 1-399, 1-405, 1-407, 1-409, 1-453, 1-479, 2-30
R30U8154-10	1-33, 2-25	R30U8165-18	2-26	R30U8479-104	1-399, 1-409, 2-30
R30U8154-12	1-33, 2-25	R30U8166-12	1-425 1-439, 2-26	R30U8479-124A	1-351, 1-355, 1-377, 1-381, 1-399, 1-405, 1-409, 1-454, 2-30
R30U815418	1-35, 2-25	R30U8168082	1-82, 1-143, 2-26	R30U8554033	1-39,1-45, 2-30
R30U8155-073	1-237, 1-239, 2-25	R30U8175-104	1-239, 2-26	R30U8575-126	1-47,1-57,1-64,1-65, 2-30
R30U8155-12	2-25	R30U8179-09	1-453, 2-26	R30U8578-094	1-349, 1-351, 1-355, 1-359, 1-377, 1-399, 1-409, 1-454, 1-479, 2-30
R30U8155-14	1-519, 1-521, 1-531, 2-25	R30U8186-154	1-427, 1-429, 1-483, 2-26	R30U8578-124A	1-345, 1-351, 1-355, 1-359, 1-377, 1-381, 1-399, 1-409, 2-30
R30U8155-16	2-25	R30U8187154	1-241, 2-26	R30U8585-132	1-59, 2-30
R30U8161-10	1-49,1-51,1-53,1-55,1-61,1-63, 1-261, 2-25	R30U8253-05	1-495, 2-27	R30U8673-154	1-495, 2-29
R30U8161-11	2-25	R30U8253-12	1-294, 2-27	FS6231	1-317
R30U8161-12	1-25, 1-27, 1-28, 1-49,1-51,1-53,1-55,1-61,1-63, 1-261, 1-262, 2-25	R30U8254-10	2-27	FS6258	1-319
R30U8161-122	2-25	R30U8254-12	2-27	FS6902	1-87
R30U8161-13	2-25	R30U8254-14	2-27	FS6935	1-82
R30U816114	1-25,1-27,1-28, 1-77, 1-242, 1-261, 1-262, 1-517, 2-25	R30U8255-05	1-497, 2-27	FS7123	1-284
R30U8161-15	2-25	R30U8256-077	1-239, 2-27	FS7136	1-481, 1-484
R30U816116	1-25, 1-27, 1-28, 1-49,1-51,1-53,1-55,1-61,1-63, 1-77, 1-242, 1-261, 1-262, 1-517, 2-25	R30U8261-18	2-27	FS7400	1-39
R30U8161-17	2-25	R30U8263-14	2-27	FS7403	1-85
R30U8161-18	1-25, 1-27, 1-28, 1-49,1-51,1-53,1-55,1-61,1-63, 1-77, 1-242, 1-261, 2-25	R30U8264-083	1-89, 2-27	FS7410	1-39
R30U8161-18S1	1-115, 1-119, 1-123, 1-127, 1-297, 2-25	R30U8264-10	2-27	FS7429	1-284
R30U8161-20	2-25	R30U8264-12	1-551, 2-27	FS7437	1-397
R30U8161-22	1-261, 2-26	R30U8264-14	1-551, 2-27	FS7443	1-74
R30U816218	1-36, 2-26	R30U8264-16	1-551, 2-28	FS7555	1-505, 1-507, 1-533
R30U816222	1-36, 2-26	R30U8265-084	2-28	FS7557	1-517, 1-523
R30U8163-14	2-26	R30U8267153	1-37, 2-28	FS7818	1-74
R30U8163-16	2-26	R30U8286-134	1-239, 2-28	FS8050	1-185
		R30U8286-154	1-239, 2-28	FS8091	1-133
		R30U8287-11	1-447, 2-28	FS8597	1-91
		R30U8287-14	1-447, 1-483, 2-28	FS8709	1-133
		R30U8351-18	2-29	FS8729	1-315
		R30U8353-10	2-29	FS8944	1-143
		R30U8353-12	2-29		
		R30U8353-15	1-327, 1-329, 2-29		
		R30U8354-10	2-29		
		R30U8354-12	2-29		
		R30U8362-19F	2-29		
		R30U8363-15N	1-327, 1-329, 2-29		

NUMERICAL LISTING OF MERITOR PART NUMBERS

MERITOR NO.	PAGE NO.	MERITOR NO.	PAGE NO.	MERITOR NO.	PAGE NO.
FS9026	1-495	FS9616	1-279	85007	1-39, 3-10, 3-24
FS9039	1-184, 1-345, 1-347, 1-397	FS9617	1-280	85010	1-184, 3-13, 3-25
FS9053	1-65	FS9618	1-280	85013	1-125, 1-184, 1-517, 1-523, 1-541, 3-13, 3-25
FS9069	1-493, 1-497	FS9622	1-280	85014	1-583, 3-14, 3-25
FS9070	1-365	FS9625	1-280	85024	1-613, 3-9, 3-25
FS9082	1-184, 1-284, 1-355, 1-373, 1-379, 1-381, 1-385, 1-387, 1-391, 1-399, 1-403, 1-407, 1-409	FS9640	1-143	85029	1-184, 3-14, 3-25
FS9083	1-74	FS9663	1-147, 1-159	85030	1-185, 1-529, 3-13, 3-25
FS9092	1-184	FS9780	1-37	85033	1-495, 3-16, 3-25
FS9093	1-387	FS9921	1-369, 1-371, 1-413, 1-415	85045	1-363, 3-14, 3-25
FS9101	1-359, 1-373, 1-379, 1-399, 1-403, 1-409	FS9922	1-371, 1-415	85046	1-613, 3-9, 3-25
FS9105	1-184	FS9923	1-371, 1-415	85047	1-613, 3-9, 3-25
FS9121	1-351, 1-355, 1-363, 1-385	83109	1-125, 3-14, 3-23	85051	1-365, 1-369, 1-371, 1-505, 3-14, 3-25
FS9122	1-184, 1-351	83110	1-297, 3-14, 3-23	85059	1-417, 3-13, 3-25
FS9134	1-363	83111	1-125, 3-14, 3-23	85060	1-11, 1-17, 3-14, 3-25
FS9158	1-373, 1-379	83112	1-137, 1-139, 1-141, 3-14, 3-23	85300	1-64, 3-10
FS9164	1-480	83113	1-417, 3-13, 3-23	85301	1-15, 3-25
FS9177	1-373, 1-379	83115	1-417, 3-13, 3-23	85302	1-32, 1-33, 3-10
FS9194	1-495	83121	1-125, 3-13	85305	1-15, 3-26
FS9219	1-613	83122	1-121, 3-13	85308	1-493, 1-497, 3-10, 3-26
FS9223	1-541	83123	1-121, 1-125, 1-363, 1-395, 3-13, 3-23	85310	1-279, 3-18, 3-26
FS9227	1-121	83124	1-367, 1-369, 1-371, 1-421, 3-14	85311	1-493, 1-497, 3-16, 3-26
FS9228	1-184	83125	1-297, 1-351, 1-355, 3-14, 3-23	85315	1-284, 3-26
FS9243	1-367, 1-413	83126	1-351, 1-355, 1-359, 1-373, 1-379, 1-381, 3-13, 3-23	85319	1-37, 3-19, 3-16
FS9268	1-383	83127	1-369, 1-371, 1-403, 1-411, 1-413, 1-415, 1-419, 1-421, 3-14, 3-23	85320	1-32, 1-33, 3-10
FS9270	1-143	83128	1-345, 1-347, 1-365, 1-369, 1-397, 1-401, 1-403, 1-407, 1-411, 1-413, 1-419, 3-14, 3-23	85321	1-63, 3-13
FS9287	1-121	83130	1-369, 1-419, 3-14, 3-23	85322	1-65, 3-10
FS9291	1-417, 1-419	83203	1-480, 1-484, 3-14, 3-24	85323	1-133, 3-14, 3-26
FS9293	1-417, 1-419	83204	1-484, 3-14, 3-24	85326	1-491, 3-17, 3-26
FS9294	1-417, 1-419	83207	1-141, 1-507, 3-14, 3-24	85713	1-545, 3-10, 3-26
FS9295	1-417, 1-419	83209	1-385, 1-387, 1-391, 3-13, 3-24	85724	1-37, 3-27
FS9304	1-365	83221	1-184, 1-294, 3-13, 3-24	85900	1-280, 3-3, 3-17, 3-27
FS9307	1-345	83635	1-383, 3-14, 3-24	85906	1-343, 3-14, 3-27
FS9346	1-359, 1-413	85000	1-87, 1-133, 1-143, 1-184, 3-24	85909	1-343, 3-13, 3-27
FS9362	1-365	85003	1-329, 3-15, 3-24	85919	1-315, 3-14, 3-27
FS9367	1-82, 1-87	85004	1-391, 3-10, 3-24	87015	1-317, 1-319, 3-12, 3-28
FS9373	1-123	85005	1-184, 3-13, 3-24	89405	1-121, 1-125, 1-363, 1-395, 3-13, 3-28
FS9375	1-297	85006	1-533, 3-13, 3-24	89406	1-121, 3-13
FS9394	1-63, 1-64			89407	1-141, 1-367, 1-369, 1-371, 1-421, 3-14, 3-28
FS9422	1-279			89411	1-329, 3-15, 3-28
FS9466	1-121			89412	1-39, 3-10
FS9471	1-343			89414	1-125, 1-184, 1-385, 1-387, 1-391, 1-517, 1-523, 3-13, 3-28
FS9472	1-343			89419	1-64, 3-10

NUMERICAL LISTING OF MERITOR PART NUMBERS

MERITOR NO.	PAGE NO.	
89420	1-33, 3-10	
89422	1-493, 1-497, 3-10, 3-28	
89423	1-279, 3-17, 3-28	
89424	1-493, 1-497, 3-16, 3-28	
89427	1-495, 3-16, 3-28	
89428	1-37, 3-16	
89429	1-33, 3-10	
89430	1-184, 1-351, 1-355, 1-359, 1-363, 1-373, 1-379, 1-381, 3-13, 3-28	
89436	1-87, 1-133, 1-143, 1-184, 3-14	
89440	1-185, 1-545, 3-13, 3-28	

MERITOR AFTERMARKET PARTS WARRANTY

We warrant all new parts for one year from date of shipment to the buyer against defective material or workmanship (but not against damage caused by accident, abuse or improper installation, maintenance or repair) when such parts are used on vehicles the specifications of which have been approved by our Engineering Department.

As the exclusive remedy under this warranty, we will, at our option, repair or replace such parts free of charge, or take back the nonconforming parts and refund the monies paid by buyer for such parts, if found on examination by us to be nonconforming and if any necessary return charges are prepaid.

If it is necessary to return any parts under this warranty, buyer agrees not to make any deduction on a count thereof from remittances on current accounts while claims are in the process of disposition. Any expense incurred without our consent for repairs or replacement will not be allowed.

THIS WARRANTY IS EXPRESSLY IN LIEU OF ALL OTHER WARRANTIES OR CONDITIONS, EXPRESS, IMPLIED OR STATUTORY, INCLUDING ANY IMPLIED WARRANTY OF MERCHANTABILITY OR FITNESS FOR PARTICULAR PURPOSE. IN NO EVENT SHALL SELLER BE LIABLE FOR INCIDENTAL OR CONSEQUENTIAL DAMAGES OF ANY NATURE.

Only genuine Meritor replacement parts are covered by this aftermarket parts warranty.

Distributed by:



ArvinMeritor[™]

Meritor Heavy Vehicle Systems, LLC
7975 Dixie Highway
Florence, Kentucky 41042 USA
USA 888-725-9355
Canada 800-387-3889

www.arvinmeritor.com
XpresswayPlus.arvinmeritor.com

Information contained in this publication was in effect at the time the publication was approved for printing and is subject to change without notice or liability. ArvinMeritor reserves the right to revise the information presented or discontinue the production of parts at any time.

Litho in USA
Revised 5/09
(13028/05060)
PB-9968
©2009 ArvinMeritor, Inc.